



HAL
open science

Cyclic branched covers of alternating knots

Luisa Paoluzzi

► **To cite this version:**

| Luisa Paoluzzi. Cyclic branched covers of alternating knots. 2020. hal-02877505v1

HAL Id: hal-02877505

<https://hal.science/hal-02877505v1>

Preprint submitted on 22 Jun 2020 (v1), last revised 3 Jul 2020 (v2)

HAL is a multi-disciplinary open access archive for the deposit and dissemination of scientific research documents, whether they are published or not. The documents may come from teaching and research institutions in France or abroad, or from public or private research centers.

L'archive ouverte pluridisciplinaire **HAL**, est destinée au dépôt et à la diffusion de documents scientifiques de niveau recherche, publiés ou non, émanant des établissements d'enseignement et de recherche français ou étrangers, des laboratoires publics ou privés.

Cyclic branched covers of alternating knots

Luisa Paoluzzi

June 22, 2020

Abstract

For any integer $n > 2$, the n -fold cyclic branched cover M of an alternating prime knot K in the 3-sphere determines K , meaning that if K' is a knot in the 3-sphere that is not equivalent to K then its n -fold cyclic branched cover cannot be homeomorphic to M .

MSC 2020: Primary 57K10; Secondary 57M12; 57K32; 57K35.

Keywords: Alternating knots, prime knots, cyclic branched covers of knots, periodic symmetries of knots.

1 Introduction

A knot K in the 3-sphere is *alternating* if it admits a generic projection onto a 2-sphere where the double points of the projection alternate between overcrossings and undercrossings when travelling along the knot. In spite of the purely combinatorial character of this definition, being alternating seems to have deep consequences on the topological and geometric properties of the knot. For instance, alternating prime knots cannot be satellite knots [Me], that is their exteriors are atoroidal. Nonetheless, until fairly recently no description of this class of knots in terms of geometric or topological properties was known. A characterisation of alternating knots as the class of knots admitting Seifert surfaces with special features was provided independently by Greene [G2] and Howie [H].

In this work, we are interested in studying another topological aspect of alternating knots, namely the behaviour of their cyclic branched covers. Recall that given a knot K in the 3-sphere and an integer $n \geq 2$ one can construct a closed 3-manifold $M(K, n)$ called (the total space of) the *n -fold cyclic branched cover of K* . We refer the reader to Rolfsen's book [R] for the explicit construction of these manifolds since it will not be needed here (see also [P2] for a survey on cyclic branched covers). In the following we will only need the following fact: there is a map $p : M(K, n) \rightarrow \mathbf{S}^3$ whose restriction $M(K, n) \setminus p^{-1}(K) \rightarrow \mathbf{S}^3 \setminus K$ is a covering map. We point out that the manifolds $M(K, n)$ can be considered as topological invariants of the knot K . It was shown by Kojima in [K] that its n -fold cyclic branched cover $M(K, n)$ *determines* the prime knot K provided that n is sufficiently large in the following sense: for each pair of prime knots K and K' , there exists an integer $N = N(K, K')$ such that if the manifolds $M(K, n)$ and $M(K', n)$ are homeomorphic for some $n \geq N$, then K and K' are necessarily equivalent.

If the n -fold cyclic branched cover of a knot K does not determine K , that is if there exists another knot K' not equivalent to K such that $M(K, n)$ and $M(K', n)$ are homeomorphic, then we say that K and K' are n -twins.

Kojima's result can thus be restated by saying that a prime knot does not have n -twins if n is large enough. However, it should be stressed that for every integer n there are prime knots, and even hyperbolic knots, that have n -twins (see, for instance, [N, S, Z]).

The main result of the paper asserts that cyclic branched covers are strong invariants for alternating prime knots.

Theorem 1. *Let K be an alternating prime knot. If $n > 2$, then K has no n -twins.*

Before introducing the key ideas of the proof, it is worth mentioning what happens in the situations where the hypothesis of the theorem are not fulfilled. First of all, this type of result cannot hold for composite knots. Indeed, as shown by Viro [V], it is easy to construct non equivalent composite knots, and even alternating ones, that are n -twins for every $n \geq 2$. This is a consequence of the fact that the construction of cyclic branched covers does not depend on a chosen orientation of the knot. An example of such twins is provided by the connected sum of the non invertible knot 8_{17} (in Rolfsen's notation) with itself and the connected sum of the same knot with its reverse (for the non invertibility of 8_{17} see [KL]).

As cyclic branched covers of composite knots are not prime while the 3-sphere is irreducible, two n -twins are either both composite or both prime, so the only situation left to consider is that of 2-twins that are prime. Here we are somehow disregarding the case of the trivial knot which is neither composite nor prime (as the unit of the monoid structure induced by composition on the set of oriented knots). One can easily see that, for all $n \geq 2$, the n -fold cyclic branched cover of the trivial knot is the 3-sphere. It follows then from the positive answer to Smith's conjecture [MB] that, for every $n \geq 2$, the trivial knot has no n -twins.

Turning our attention to the case of 2-twins of prime knots, we see that Montesinos knots [Mo] admit 2-twins as soon as their Montesinos presentation consists of at least four tangles and at least three distinct tangles appear (this latter condition is not necessary, though). Since alternating Montesinos knots with these properties clearly exist, the conclusion of Theorem 1 is false if $n = 2$.

Notice that the given examples of 2-twins are instances of a more general phenomenon called *Conway mutation*: if S is a 2-sphere that meets a knot K in four points, one can remove one of the two 3-balls bounded by S and the tangle it contains and glue it back in a different way, obtaining thus a new knot K' (see for instance [P2, p. 259] for more details on this construction). The new knot K' is obtained from K by *Conway mutation* and is a *Conway mutant* of K . It turns out that K and K' have homeomorphic 2-fold branched covers. They need not be 2-twins, for they may be equivalent. For the two knots to be 2-twins, it is necessary (but possibly not sufficient) that the sphere S is an *essential Conway sphere*, that its intersection with the exterior of K is incompressible and ∂ -incompressible in the knot exterior. Possibly the most famous Conway mutants that are also 2-twins but not Montesinos knots (nor alternating) are the Conway [C] and Kinoshita-Terasaka [KT] knots.

It was shown by Greene in [G1] that two prime alternating 2-twins are necessarily Conway mutants. Greene conjectures that if a prime alternating knot K admits a 2-twin K' then K' is necessarily a Conway mutant of K and, in particular, is itself alternating.

This conjecture is all the more striking if one considers that there is a plethora of phenomena giving rise to 2-twins of a prime knot, as discussed for instance in [P2]. Among the different constructions of 2-twin knots, there is one, originally introduced by Nakanishi [N] and Sakuma [S], that can be exploited to produce n -twins for any $n \geq 2$. Given a two-component link $L = L_1 \cup L_2$ in the 3-sphere both of whose components are trivial knots, one can consider the n -fold cyclic branched cover of the component L_i , $i = 1, 2$. Since L_i is the trivial knot, the manifold $M(L_i, n)$ is the 3-sphere. For $j \neq i$, the preimage of L_j in $M(L_i, n)$ is connected, and thus a knot K_j , provided that n and the linking number of L_1 and L_2 are coprime. If this is the case, by construction the knots K_1 and K_2 have homeomorphic n -fold cyclic branched covers. Intuitively, if no homeomorphism of \mathbf{S}^3 exchanges the two components of L one can expect K_1 and K_2 to be non equivalent, that is they are genuine n -twins.

The most remarkable fact about this construction was pointed out by Zimmermann in [Z]. He proved that, if K is a hyperbolic knot admitting an n -twin K' for some $n > 2$, then K and K' must be obtained as the K_1 and K_2 of Nakanishi and Sakuma's construction just described. This is one of the key points in the proof of the main result. Indeed, prime alternating knots are either hyperbolic or torus knots. It is probably folklore that the conclusion of Theorem 1 holds for torus knots of any kind. We will provide a proof for the sake of completeness in Proposition 3 of Section 4. As a consequence, one is only left to consider the hyperbolic case.

The second key ingredient in the proof of the main result is that certain types of symmetries of prime alternating knots are *visible* on an alternating diagram. The notion of visibility of symmetries on minimal diagrams of prime alternating knots has been considered as a straightforward consequence of the proof of Tait's flyping conjecture (see, for instance, [HTW]) by Menasco and Thistlethwaite [MT]. Unfortunately, most of the time no precise definition of the meaning of "visible" seem to be provided in the literature where the notion appears.

In our case, we need certain symmetries, i.e. *periods* (see Section 2 for the definition), to be visible in a very specific sense (see Section 2 for the actual definition of visibility we need). A detailed proof of this fact was given recently by Costa and Quach Hongler in [CQ] (see also [Bo] for the case of symmetries of odd prime order). The importance of this fact as a central tool in the proof becomes clear once we restate the aforementioned result of Zimmermann's in the following way. Let K be a hyperbolic knot and $n > 2$. K admits an n -twin if and only if K admits an n -period ψ such that the quotient knot $K/\langle\psi\rangle$ is the trivial knot and no homeomorphism of \mathbf{S}^3 exchanges the components of the link $(K \cup \text{Fix}(\psi))/\langle\psi\rangle$. Incidentally, we note that prime satellite n -twins, with $n > 2$, need not be related in this way according to the examples given in [BP_a].

The organisation of the paper is the following. In Section 2 we show that if an alternating knot K admits a period ψ which is visible on a minimal alternating diagram and such that $K/\langle\psi\rangle$ is the trivial knot, then the quotient admits a diagram of a specific form. This uses properties of alternating diagrams of the

trivial knot. In Section 3, we exploit the structure of the link $(K \cup \text{Fix}(\psi))/\langle \psi \rangle$ determined in the previous section to show that there is a homeomorphism of \mathbf{S}^3 exchanging its components. Finally, in Section 4 we prove Theorem 1.

2 Quotients diagrams of prime alternating knots via special periodic symmetries

In this section we determine a diagram of the quotient of an alternating knot K by the action of a period under the hypotheses that the period is visible on a minimal alternating diagram for K and the quotient knot is trivial.

We need the following definitions.

Definition 1. A *period of order n* or *n -period* of a knot K is an orientation preserving diffeomorphism ψ of order $n \geq 2$ of the 3-sphere which leaves K invariant and such that its fixed-point set is a circle disjoint from K .

Definition 2. Let K be a knot admitting a period ψ of order n . We say that ψ is *visible on a diagram D* for K if there exists a 2-sphere S embedded in \mathbf{S}^3 and a projection $p : \mathbf{S}^3 \setminus \{*\} \rightarrow S$ such that $p(K) = D$, $\psi(S) = S$, and there is a diffeomorphism $\hat{\psi} : S \rightarrow S$ of order n such that $\hat{\psi} \circ p = p \circ \psi$.

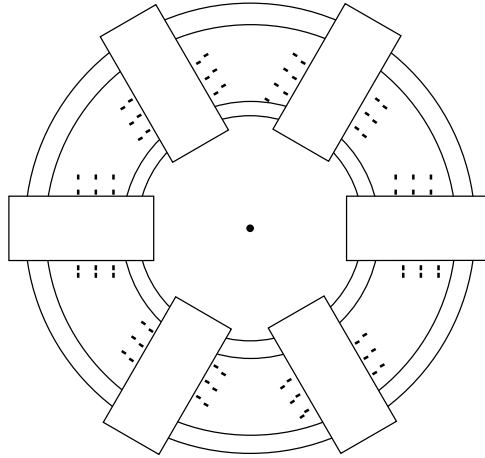


Figure 1: A schematic diagram where a 6-period is visible.

Figure 1 shows a schematic diagram where a 6-period is visible. The dot in the middle is one of the two intersections of the fixed-point set of the period with the sphere of projection. The crossings of the knot can be arranged to sit inside six equal tangles, represented by rectangles in the figure, that are permuted by the period which acts on the sphere as a rotation about the central dot (and the point at infinity).

Notice that according to the given definition of visibility a symmetry of the knot that acts freely cannot be visible if it has order > 2 for it cannot leave invariant a 2-sphere.

For simplicity, in the following we will abuse notation and write ψ even when referring to $\hat{\psi}$.

Proposition 1. *Let K be a non trivial prime alternating knot with period ψ of order n . Assume that ψ is visible on a minimal diagram D for K and that $K/\langle\psi\rangle$ is the trivial knot. Then, up to diagram isotopy relative to the axis, the diagram $D/\langle\psi\rangle$ is alternating and of the form shown on the left-hand side of Figure 2, where the dot represents the axis of ψ and each box a sequence of crossings.*

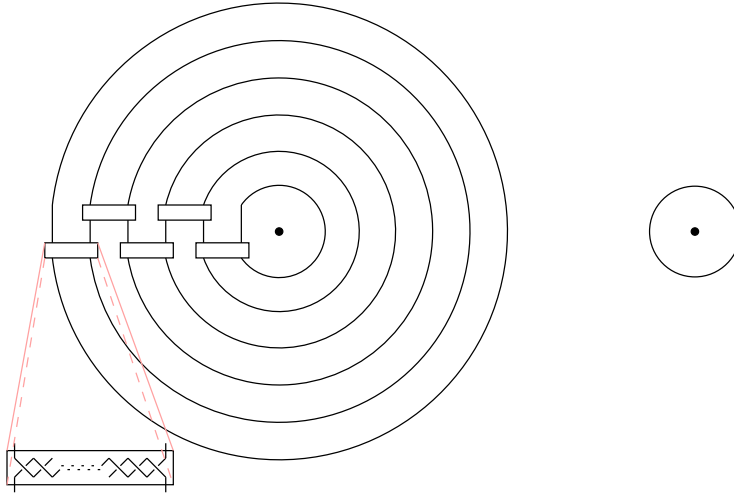


Figure 2: The structure of the diagram $D/\langle\psi\rangle$ of the quotient knot $K/\langle\psi\rangle$ for a tangle of size $k = 5$ on the left, and the case $k = 1$ on the right. Each rectangular box represents a sequence of crossings.

Proof. Before proving the proposition, let us explain the structure of the diagram on the left-hand side of Figure 2. The central dot represents one of the two intersections of $Fix(\psi)/\langle\psi\rangle$ with the sphere of projection, the other being the point at infinity. Each box represents a horizontal (with respect to the picture) sequence of crossings, as suggested by the drawing below the diagram. Remark that because the diagram is alternating the sign of crossings in one box constrains the signs of the crossings in all other boxes. This means that each diagram is determined, up to taking a mirror, simply by the *size k of the tangle*, i.e. number of arcs, and the number of crossings in each of the $k - 1$ boxes. Observe also that if the roles of the two intersection points of $Fix(\psi)/\langle\psi\rangle$ with the sphere of projection are exchanged, then the diagram changes (the size is the same, while the numbers of crossings in the boxes appear in reversed order) but its structure stays the same. Indeed, the boxes in the picture are alternately located below and above with respect to each other, but this relative position can be changed since the boxes can be slid around the dot by an isotopy of the 2-sphere leaving the intersections with $Fix(\psi)/\langle\psi\rangle$ fixed.

Clearly, $D/\langle\psi\rangle$ is the closure of a tangle by means of k arcs going around the axis, as shown in Figure 3 with the axis represented as usual by a dot. We observe that $D/\langle\psi\rangle$ must moreover enjoy the following extra properties: it is an

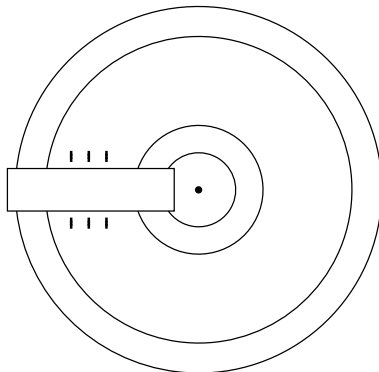


Figure 3: The diagram $D/\langle\psi\rangle$ is the quotient of the diagram D pictured in Figure 1 by the action of the period and is itself the closure of a tangle.

alternating diagram representing the trivial knot. In particular, it must present a Reidemeister I move allowing to reduce the number of crossings according to [Ba]. The move cannot take place inside the tangle, else D would not be minimal. So the loop involved in the move must contain the dot corresponding to the axis of the period. The proof will be by induction on k , the size of the tangle, in a diagram of the form and with the properties just discussed.

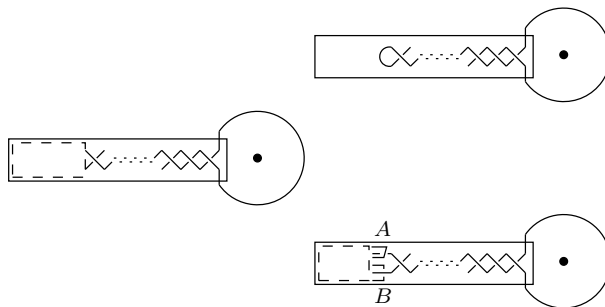


Figure 4: The case $k = 1$ where crossings are present. A maximal string of crossings adjacent to the nugatory one is put in evidence. If there is no other crossing the situation is as pictured on the top-right, else the two arcs exiting the maximal string must encounter two distinct crossings labelled A and B as pictured on the bottom-right.

If $k = 1$ we want to prove that the tangle must consist of a straight arc, that is the diagram has no crossings (as in the right-hand side of Figure 2); in particular, this situation cannot arise under the hypotheses of the proposition, for K would be trivial in this case. If that is not the case, then the situation is as shown in Figure 4 where a maximal string of half-twists adjacent to the loop involved in the Reidemeister I move is put in evidence. If there are no other crossing inside the tangle, then the diagram must be of the form shown on the top-right of Figure 4. So assume there are other crossings inside the tangle. The situation must be as in the bottom-right of Figure 4, where the crossings A and

B must be distinct, since the string of half-twists was chosen to be maximal. At this point we see that either a nugatory crossing was already present inside the tangle, against the hypothesis, or no Reidemeister I move can be performed, once more contradicting the hypothesis, since the knot would not be trivial.

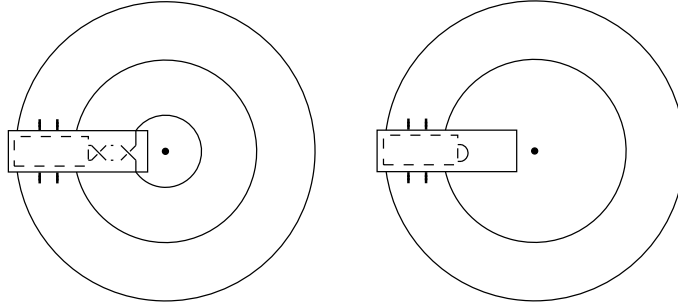


Figure 5: A new diagram with a tangle of size $k - 1$ (shown on the right-hand side) can be obtained by performing a sequence of Reidemeister I moves that eliminate a maximal sequence of nugatory crossings (shown on the left-hand side).

We can now assume $k \geq 2$. The situation is thus as shown in Figure 5 where, as in the case where $k = 1$, a maximal string of half-twists adjacent to the loop involved in the Reidemeister I move is put in evidence. If we remove the crossings as suggested in the figure by performing as many Reidemeister I moves as the number of crossings, we get a new diagram for the trivial knot, obtained by closing a $(k - 1)$ -tangle around an axis. We claim that this new alternating diagram satisfies the same properties as the original one so that we may apply the induction hypothesis to finish the proof. The argument is similar to that of the previous case.

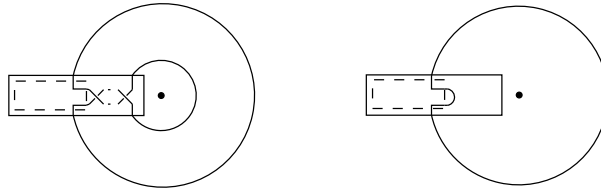


Figure 6: The situation where no other crossing is present. In this case one must have $k = 2$.

If there is no other crossing, the only possibility is that $k = 2$ and the situation is as in Figure 6 which is precisely of the form given in Figure 2, else we would have a link with more than one component.

We can thus assume that there are other crossings inside the tangle as in Figure 7. The main point is that there must be a nugatory crossing somewhere in the modified diagram, but such crossing cannot be already present in the diagram before modification. Because of that, the crossing must be adjacent to both ends of the arc obtained by untwisting the maximal string of half-twists.

This implies that the crossings A and B adjacent to this arc (see Figure 7 top) must coincide. Note that if A and B do not coincide, then a contradiction is reached as in the $k = 1$ case, albeit now the arc between A and B may go around the dot representing the axis (see Figure 7 centre-right). So A and B are the same crossing and, because the string of half-twists was chosen to be maximal, the only possibility is that a strand coming out from the maximal string of half-twists goes around the dot representing the axis before coming back to cross the second strand, as shown in Figure 7 bottom. This ensures that the new diagram is of the desired form.

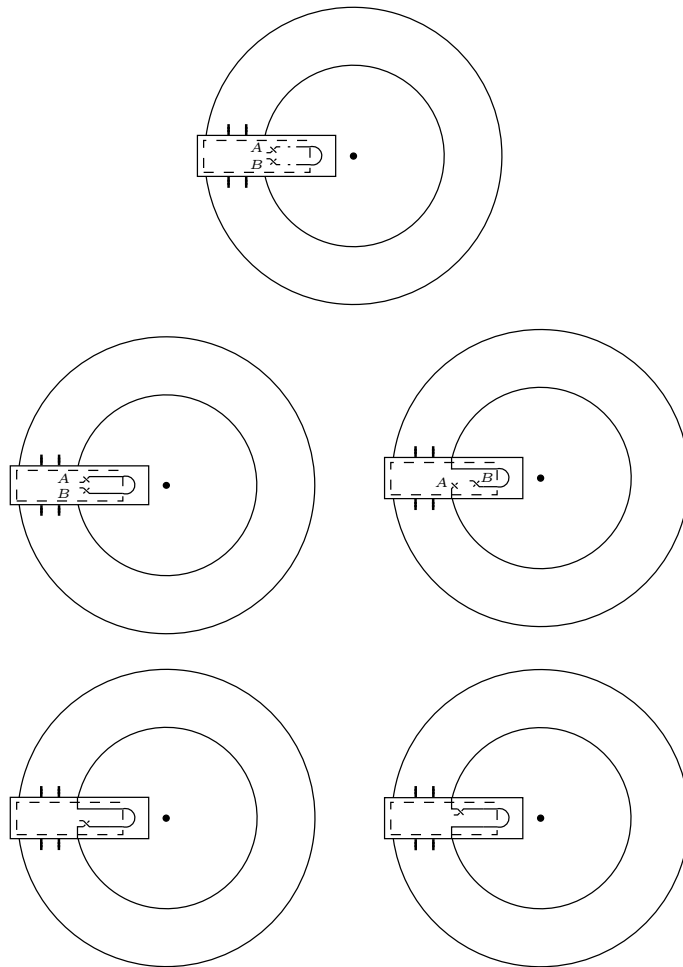


Figure 7: The diagram when other crossings are present. The situation in which the crossings adjacent to the arc obtained after untwisting the maximal string of half-twists are not the same is pictured in the middle, while the case where they coincide is shown on the bottom.

We are now left to understand why the original diagram is also of the desired form. In principle, the sequence of crossing removed in the process could be inserted in two distinct ways (see Figure 7 bottom). It is thus enough to show

that the two situations are isotopic via an isotopy that preserves the dot, i.e. the projection of the axis of rotation. This is clear from the figure and the discussion preceding the proof. \square

We remark that in the proof of the proposition, one might want to change the diagram by an isotopy so that another nugatory crossing adjacent to the loop encircling the fixed-point of $Fix(\psi)/\langle\psi\rangle$ at infinity appears. However, for the knot to be trivial both the innermost and outermost loops must be adjacent to a nugatory crossing.

3 Symmetry of the quotients

In this section we study the link having a diagram of the form determined in the previous section.

Proposition 2. *Let K be a non trivial prime alternating knot with period ψ of order n . Assume that ψ is visible on a minimal diagram D for K and that $K/\langle\psi\rangle$ is the trivial knot. Then there is homeomorphism of the 3-sphere that exchanges the two components of the link $(K \cup Fix(\psi))/\langle\psi\rangle$.*

Proof. By hypothesis, Proposition 1 applies and we know that $(K \cup Fix(\psi))/\langle\psi\rangle$ admits a diagram as in Figure 2 where the second component is represented by the central dot. The second component of the link is a trivial knot that encircles the k arcs that close up the tangle. This is pictured in the left-hand side of Figure 8, where an isotopy was performed so that the sequences of half-twists appear alternately on the right and left.

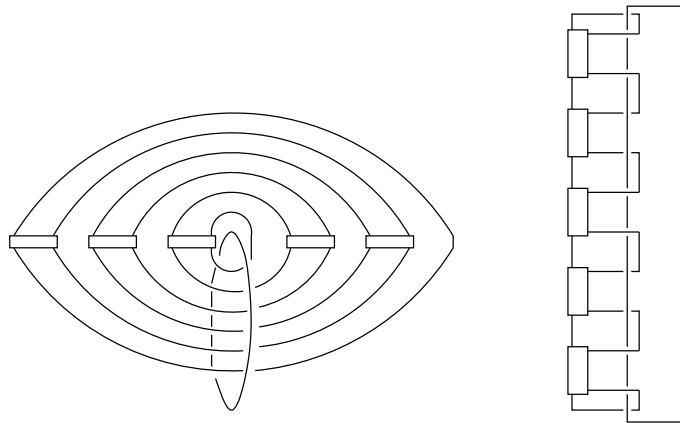


Figure 8: Two diagrams of the link $(K \cup Fix(\psi))/\langle\psi\rangle$ as seen from above and from the side, respectively.

To prove the assertion it is suitable to modify the given diagram as in Figure 8 right. One can think of the two diagrams as projections of the link from above and from the side respectively. To visualise how to pass from the diagram pictured on the left-hand side to the one on the right-hand side it is convenient to imagine that the central part of the diagram on the left is at the top and the

link is located lower and lower down the further we move away from the centre. The sequences of half-twists (i.e. the boxes) on the right are moved to the left by making them pass behind the second component of the link. All sequences of half-twists are now arranged vertically, rather than horizontally.

To prove the proposition it is then enough to show that one can transfer the crossings of the $K/\langle\psi\rangle$ component onto the $Fix(\psi)/\langle\psi\rangle$ component so that afterwards the second component looks like the first one used to. This can be done as explained in Figure 9.

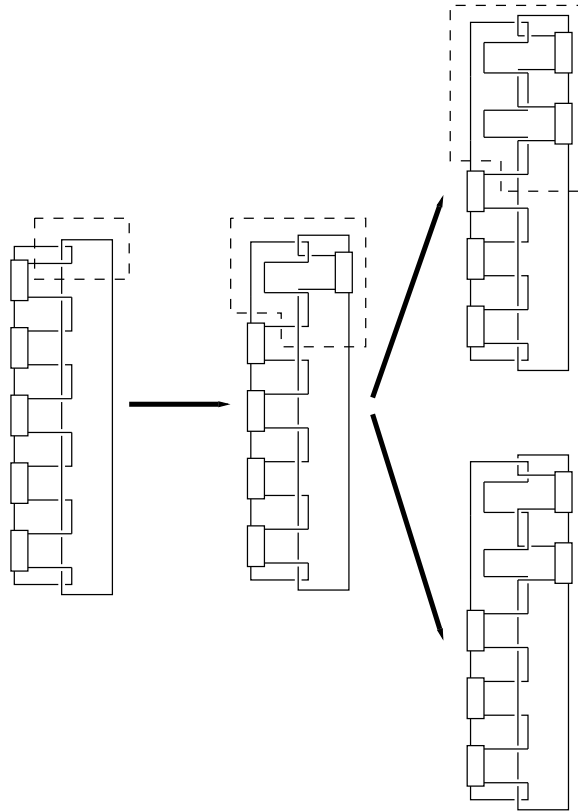


Figure 9: Moving crossings from the first component to the second one and the result according to the parity of the number of crossings.

Starting from the top, we consider the first sequence of crossings that appears and transfer the crossings on the other side by performing flypes on the tangle in the dashed box drawn on the left-hand side of Figure 9. The result is the central diagram in Figure 9. We can now repeat the same process with the next sequence of half-twists by performing flypes with respect to the tangle delimited by the dashed curve in the central diagram. It turns out that the result depends on the parity of the number of flypes we perform, i.e. crossings in the box. The result in the case of an even number of crossings is shown on the top right-hand side of Figure 9, while the case of an odd number is given on the bottom. One can see that the structure is exactly the same in the case of an even number of crossings, but that is not the case if the number is odd. This phenomenon occurs

only from the second sequence of half-twists onward, though, as the parity of the number of crossings in the first sequence does not matter.

We conclude that the resulting diagram will look as the original one with the two components exchanged provided that the number of crossings is even in each box except perhaps the first one. Indeed, after moving all crossings from one side to the other, it is enough to rotate the link of π about a vertical axis contained in the plane of the diagram to go back to the original diagram, but now with the two components exchanged.

To reach the desired conclusion, we need to understand whether it is possible to assume that the number of crossings is always even, except perhaps in the first box at the top.

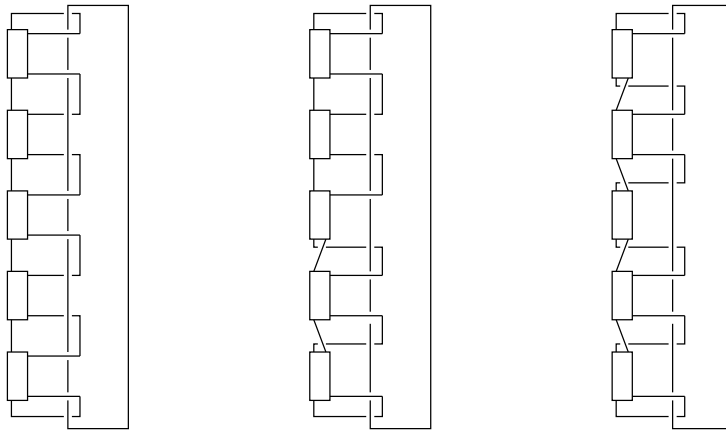


Figure 10: How to change the parity of the number of crossings contained in a box.

Figure 10 shows how to change the parity of the number of crossings in the sequences, so that all boxes, except perhaps the first one, contain an even number of crossings. Consider the diagram shown on the right-hand side of Figure 10 and assume that we want to change the parity of the number of crossings in the last box at the bottom. To achieve that, take the next box and make it go around the arc of the second component by passing it either first under and then over (as in the situation we are considering) or first over and then under (if we were to move, say, the central box). The result is shown in the central diagram of Figure 10 where we see that the number of crossings of the adjacent boxes has changed by one. One might now want to repeat this operation whenever needed to change the parity of the number of crossings in the boxes starting from the bottom and going up. Unfortunately, this is not possible right away. Indeed, the central box of the central diagram is not positioned as the boxes of the diagram on the left-hand side, so it cannot be moved as explained. In fact, one remarks that in the initial diagram the boxes of the first component are positioned in such a way that they alternate between boxes lying “above” with respect to the second component and boxes lying “below”. To restore the same structure as in the original diagram for all the boxes above those already successfully modified, it is necessary to move not only one box, but all those preceding it that are an even number of boxes away from

it. In this specific example, when we move the second box from the bottom, we have to move the second box from the top as well. The result is the diagram on the right-hand side of Figure 10. On the other hand, if we had to move the central box, we would need to move the first box at the top as well. The effect of this will be that the positions of all the boxes above the one we are dealing with will be exchanged: those which used to lie above with respect to the second component will end up below, and vice versa. This way, we also only change the parity of the number of crossings in the box we are considering and possibly that of the first box at the top.

Note that this process can change the type of crossings between the two components, but regardless of what these are they will be preserved when performing an even number of flypes anyway.

This achieves the proof of the proposition. \square

4 Proof of Theorem 1

We are now in a position to prove Theorem 1.

Let K be a prime alternating knot and let $n > 2$ be an integer. By [Me], we know that K is either a torus knot or a hyperbolic knot. More precisely, if K is a torus knot, then it must be a $(2, 2m + 1)$ -torus knot according to Lackenby's characterisation of tunnel number-one alternating knots in [L].

It follows from Thurston's orbifold theorem (see [BLP, BMP, BPo, CHK] for a proof) that if K' is a n -twin of K then K' is the same type of knot as K , that is a torus knot (if so is K), or a hyperbolic knot (if so is K). Here the fact that n is at least 3 is crucial.

The following result deals with the case of arbitrary torus knots.

Proposition 3. *Let $n \geq 2$. Two torus knots cannot be n -twins.*

We postpone the proof of the proposition at the end of this section. At this point we just remark that, if on the one hand the proposition suffices to ensure that a torus knot cannot have n -twins for $n > 2$ because of Thurston's orbifold theorem, on the other, there are torus knots that have 2-twins that are Montesinos knots. Alternating torus knots, however, do not have twins at all since they are 2-bridge knots. Indeed, Hodgson and Rubinstein proved in [HR] that 2-bridge knots are determined by their 2-fold cyclic branched covers.

Let K be hyperbolic and assume by contradiction that K is not determined by its n -fold cyclic branched cover. It follows from [Z, Theorem 3] that K admits a period ψ of order n such that the knot $K/\langle\psi\rangle$ is trivial and no orientation preserving homeomorphism of the 3-sphere exchanges the two components of the link $(K \cup \text{Fix}(\psi))/\langle\psi\rangle$. Note that [Z, Theorem 3] is stated only for n not a power of 2, but in fact it holds for any $n > 2$ and the proof uses basically the same argument (see, for instance, [P1, Chapter 4]). According to the orbifold theorem, there is a single case where [Z, Theorem 3] does not apply, that is when $K = 4_1$ is the figure-eight knot and $n = 3$. It is however well-known as a consequence of Dunbar's classification of geometric orbifolds in [D] that the knot $K = 4_1$ has no 3-twins.

Since K is alternating and ψ is a period of order > 2 , it was proved in [CQ] that ψ is visible on a minimal alternating diagram for K . As a consequence

Proposition 1 applies as well as Proposition 2, providing the desired contradiction.

This ends the proof of the theorem. We can now pass to the proof the result about torus knots.

Proof of Proposition 3. In what follows we will use the description of the n -fold cyclic coverings of torus knots provided by Núñez and Ramírez-Losada in [NRL, Theorem 1]. We will restate their result in a way that is more convenient for us. Let $a_1 \geq 2$ and $a_2 \geq 2$ be two coprime integers, and $n \geq 2$. Let d_i , $i = 1, 2$, be the greatest common divisor of a_i and n , so that $d = d_1 d_2$ is the greatest common divisor of $a_1 a_2$ and n . The n -fold cyclic branched covering of the (a_1, a_2) -torus knot is a Seifert fibred space with orientable base and exceptional fibres of at most three distinct orders which are moreover pairwise coprime. According to the different properties of d_1 , d_2 , and d , the Seifert invariants of the space satisfy the following conditions.

1. If $d = d_1 = d_2 = 1$, then the base of the fibration is the 2-sphere and there is one exceptional fibre of order a_2 , one of order a_1 , and one of order n .
2. If one between d_1 and d_2 is equal 1 but the other is > 1 , we can assume without loss of generality that $d_1 > 1$ and $d_2 = 1$ for here a_1 and a_2 play symmetric roles (we are not assuming $a_1 < a_2$, for instance, and of course the (a_1, a_2) -torus knot is equivalent to the (a_2, a_1) -torus knot).
 - (a) If $d = d_1 < a_1$ and $d < n$, then the base of the fibration is the 2-sphere and there are d exceptional fibres of order a_2 , one of order a_1/d , and one of order n/d .
 - (b) If $d = d_1 < a_1$ and $d = n$, then the base of the fibration is the 2-sphere and there are n exceptional fibres of order a_2 , and one of order a_1/d .
 - (c) If $d = d_1 = a_1$ and $d < n$, then the base of the fibration is the 2-sphere and there are d exceptional fibres of order a_2 , and one of order n/d .
 - (d) If $d = d_1 = a_1 = n$, then the base of the fibration is the 2-sphere and there are n exceptional fibres of order a_2 .
3. We can now assume that both d_1 and d_2 are > 1 .
 - (a) If $d_1 < a_1$, $d_2 < a_2$, and $d < n$, then the base of the fibration is a surface of genus $g = (d_1 - 1)(d_2 - 1)/2 > 0$ and there are d_1 exceptional fibres of order a_2/d_2 , d_2 of order a_1/d_1 , and one of order n/d .
 - (b) If $d_1 < a_1$, $d_2 < a_2$, and $d = n$, then the base of the fibration is a surface of genus $g = (n + 1 - d_1 - 1 - d_2)/2 > 0$ and there are d_1 exceptional fibres of order a_2/d_2 and d_2 of order a_1/d_1 .
 - (c) If $d_1 = a_1$, $d_2 < a_2$, and $d < n$, then the base of the fibration is a surface of genus $g = (d_1 - 1)(d_2 - 1)/2 > 0$ and there are d_1 exceptional fibres of order a_2/d_2 and one of order n/d .

- (d) If $d_1 = a_1$, $d_2 < a_2$, and $d = n$, then the base of the fibration is a surface of genus $g = (n + 1 - d_1 - 1 - d_2)/2 > 0$ and there are d_1 exceptional fibres of order a_2/d_2 .
- (e) If $d_1 = a_1$, $d_2 = a_2$, and $d < n$, then the base of the fibration is a surface of genus $g = (d_1 - 1)(d_2 - 1)/2 > 0$ and there is one exceptional fibre of order n/d .
- (f) If $d_1 = a_1$, $d_2 = a_2$, and $d = n$, then the base of the fibration is a surface of genus $g = (n + 1 - d_1 - 1 - d_2)/2 > 0$ and there are no exceptional fibres.

Let $n \geq 2$ be fixed and let M be the n -fold cyclic branched covering of some torus knot. We claim that there is a unique torus knot K such that M is homeomorphic to $M(K, n)$. Let us assume that M admits more than one Seifert fibration. Since M is a closed manifold, M is either a lens space of a prism manifold (see [J, VI.16]). If M is a lens space, the base of a fibration is the 2-sphere if it is orientable, and the fibration has at most two exceptional fibres, so the only case where lens spaces appear in the above list is case 2d for $n = 2$. This means that M must be a 2-fold branched cover and K a 2-bridge knot. Since it was shown by Hodgson and Rubinstein [HR] that 2-bridge knots are determined by their 2-fold branched covers, we can ignore this case. If M is a prism manifold it has a single fibration with orientable base as those of our list, for the other fibration has the projective plane as base. We can thus assume that M is not a lens space and has a unique fibration among those given in the above list.

Assume first that the base of the fibration is the sphere. If there are three different types of exceptional fibres then we are either in situation 1 or in situation 2a. If there are exactly three exceptional fibres we are in situation 1 and if there are strictly more than three we are in situation 2a. In both cases, since n is fixed, it is possible to recover the invariants of the torus knot from the orders of the exceptional fibres. If there are two different types of exceptional fibres we are in cases 2b or 2c. These two cases can be distinguished by the fact that in 2b the orders of the exceptional fibres are both coprime with n , while in 2c one of them is not. Once again, in both cases, a_1 and a_2 can be retrieved from the Seifert invariants. Finally, if there is only one type of exceptional fibre, we are in case 2d and again it is possible to reconstruct a_1 and a_2 from the number of exceptional fibres and their order.

Assume now that the base of the fibration is an orientable surface of genus > 0 . If there are three types of exceptional fibres we are in case 3a, if there are two in cases 3b or 3c, if there is one in cases 3d or 3e, and if there is none we are in case 3f. In case 3c there is just one exceptional fibre of one of the two types while in case 3d there is more than one exceptional fibre of both types. A similar argument allows to distinguish cases 3d and 3e. What may be not completely obvious in this situation is how to recover $a_1 = d_1$ and $a_2 = d_2$ in cases 3e and 3f. Let us assume we are in case 3e. Since we know n , the order s of the exceptional fibre allows to compute $d_1 d_2 = d = n/s$, while the genus allows to compute $d_1 + d_2 = d_1 d_2 + 1 - 2g = n/s + 1 - 2g$ which is enough to obtain the values of $a_1 = d_1$ and $a_2 = d_2$. Case 3f is similar, keeping in mind that now $d_1 d_2 = d = n$. This completes the proof of the proposition. \square

Acknowledgements The contents of this work were inspired by J. Greene’s paper on double branched covers of prime alternating knots. They heavily rely on the existence of a periodic minimal diagram for a prime alternating knot. In her quest for a proof of this fact, the author pestered several colleagues: M. Boileau, A. Costa, J. Greene, C. V. Quach Hongler, M. Thistlethwaite, A. Tsvietkova, J. Weeks, and possibly others she may have forgotten along the way. She wishes to express them all her deep gratitude for their patience and comments. She is also indebted to L. Watson for drawing her attention to the peculiarities of alternating diagrams of the trivial knot.

References

- [Ba] C. Bankwitz, *Über die Torsionszahlen der alternierenden Knoten*, Math. Ann. **103**, (1930), 145161.
- [Bo] K. Boyle, *Odd order group actions on alternating knots*, Preprint, (2019).
- [BLP] M. Boileau, B. Leeb and J. Porti, *Geometrization of 3-dimensional orbifolds*, Annals of Math. **162**, (2005), 195-290.
- [BMP] M. Boileau, S. Maillot, and J. Porti, *Three-dimensional orbifolds and their geometric structures*, Panoramas et Synthèses **15**, Société Mathématique de France, Paris, 2003.
- [BPa] M. Boileau and L. Paoluzzi, *On cyclic branched coverings of prime knots*, J. Topol. **1**, (2008), 557-583.
- [BPo] M. Boileau and J. Porti, *Geometrization of 3-orbifolds of cyclic type*, Astérisque Monograph, **272**, 2001.
- [CHK] D. Cooper, C. D. Hodgson, and S. P. Kerckhoff, *Three dimensional orbifolds and cone-manifolds*, with a postface by S. Kojima, MSJ Memoirs **5**, Mathematical Society of Japan, Tokyo, 2000.
- [C] J. H. Conway, *An enumeration of knots and links, and some of their algebraic properties*, Computational Problems in Abstract Algebra (Proc. Conf., Oxford, 1967). Pergamon, Oxford, 1970, 329-358.
- [CQ] A. F. Costa and C. V. Quach Hongler, *Periodic projections of alternating knots*, Preprint, (2019).
- [D] W. D. Dunbar, *Geometric orbifolds*, Rev. Mat. Univ. Complut. Madrid **1**, (1988), 67-99.
- [G1] J. E. Greene, *Lattices, graphs, and Conway mutation*, Invent. Math. **192**, (2013), 717-750.
- [G2] J. E. Greene, *Alternating links and definite surfaces*, Duke J. Math. **166**, (2017), 2133-2151.
- [HTW] J. Hoste, M. Thistlethwaite, and J. Weeks, *The first 1,701,936 knots*, Math. Intelligencer **20**, 33-48.
- [H] J. Howie, *A characterisation of alternating knot exteriors*, Geom. Topol. **21**, (2017), 2353-2371.
- [HR] C. Hodgson and J. H. Rubinstein, *Involutions and isotopies of lens spaces*, Knot theory and manifolds (Vancouver, 1983). Ed. D. Rolfsen. Lecture Notes in Math. **1144**, Springer-Verlag, Berlin, 1985, 60-96.
- [J] W. Jaco, *Lectures on three-manifold topology*, CBMS Regional Conf. Ser. Math. **43**, 1980.
- [KL] P. Kirk and C. Livingston, *Twisted knot polynomials: inversion, mutation and concordance*, Topology **38**, (1999), 663-671.
- [KT] S. Kinoshita and H. Teresaka, *On unions of knots*, Osaka Math. J. **9**, (1957), 131-153.

- [K] S. Kojima, *Determining knots by branched covers*, in Low Dimensional Topology and Kleinian groups, London Math. Soc. Lecture Note Ser. **112**, Cambridge Univ. Press (1986), 193-207.
- [L] M. Lackenby, *Classification of alternating knots with tunnel number one*, Comm. Anal. Geom. **13**, (2005), 151-185.
- [Me] W. Menasco, *Closed incompressible surfaces in alternating knot and link complements*, Topology **23**, (1984), 37-44.
- [MT] W. Menasco and M. B. Thistlethwaite, *The classification of alternating links*, Ann. Math. **138**, (1993), 113-171.
- [MB] J. Morgan and H. Bass, *The Smith conjecture*, Academic Press, New York, 1984.
- [Mo] J. M. Montesinos, *Varietades de Seifert que son recubridores ciclicos ramificados de dos hojas*, Bol. Soc. Mat. Mexicana **18**, (1973), 1-32.
- [N] Y. Nakanishi, *Primeness of links*, Math. Sem. Notes Kobe Univ. **9**, (1981), 415-440.
- [NRL] V. Núñez and E. Ramírez-Losada, *The trefoil knot is as universal as it can be*, Topology Appl. **130**, (2003), 1-17.
- [P1] L. Paoluzzi, *Three cyclic branched covers suffice to determine hyperbolic knots*, J. Knot Theory Ramifications **14**, (2005), 641-655.
- [P2] L. Paoluzzi, *Hyperbolic knots and cyclic branched covers*, Publ. Mat. **49**, (2005), 257-284.
- [R] D. Rolfsen, *Knots and links*, Publish or Perish, Berkeley, 1976.
- [S] M. Sakuma, *Periods of composite links*, Math. Sem. Notes Kobe Univ. **9**, (1981), 445-452.
- [V] O. J. Viro, *Links, two-sheeted branching coverings and braids*, Mat. Sb. **87**, (1972), 216-228.
- [Z] B. Zimmermann, *On hyperbolic knots with homeomorphic cyclic branched coverings*, Math. Ann. **311**, (1998), 665-673.

AIX-MARSEILLE UNIV, CNRS, CENTRALE MARSEILLE, I2M, UMR 7373, 13453 MARSEILLE, FRANCE
 luisa.paoluzzi@univ-amu.fr