

Supplementary information

ADSORPTIVE REMOVAL OF GASEOUS FORMALDEHYDE AT REALISTIC CONCENTRATIONS

Irene Lara-Ibeas¹, Cristina Megías-Sayago², Benoît Louis², Stéphane Le Calvé^{1,3 *}

¹ ICPEES – Institut de Chimie et Procédés pour l’Energie, l’Environnement et la Santé, Atmospheric Physical Chemistry Team, UMR 7515 CNRS – Université de Strasbourg – ECPM, 25 rue Becquerel F-67087 Strasbourg cedex 2, France

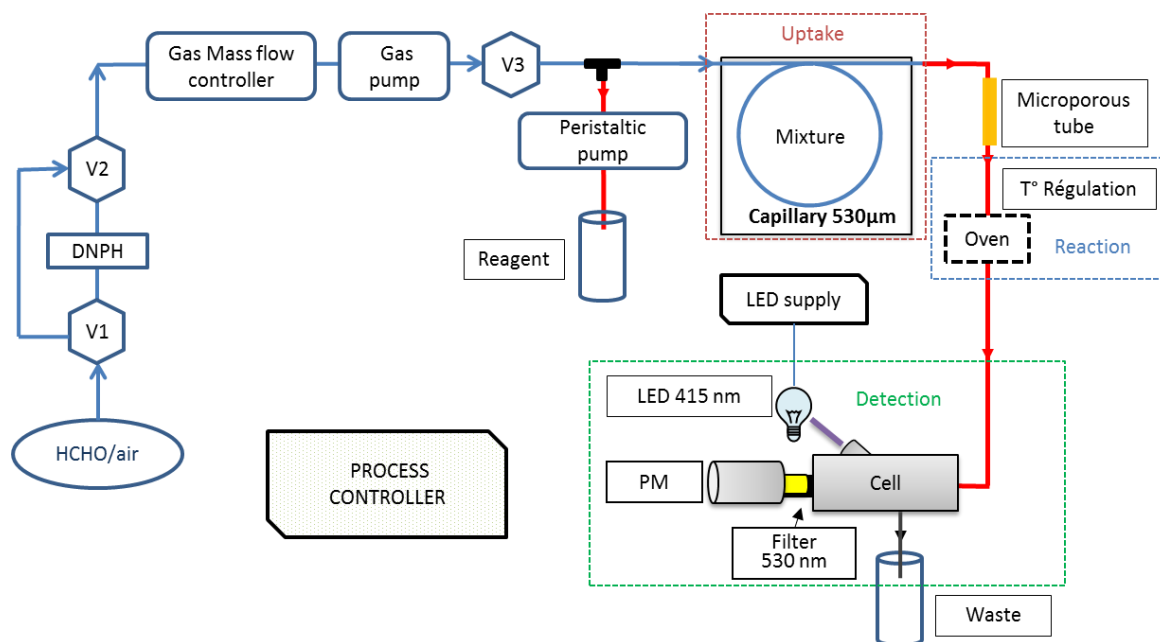
² ICPEES – Institut de Chimie et Procédés pour l’Energie, l’Environnement et la Santé, Energy and Fuels for a Sustainable Environment Team, UMR 7515 CNRS – Université de Strasbourg – ECPM, 25 rue Becquerel F-67087 Strasbourg cedex 2, France

³ In’Air Solutions, 25 rue Becquerel, 67087 Strasbourg, France

* slecalve@unistra.fr; Tel.: +33-3-6885-0368

Table of contents

Figure S1. Scheme of the formaldehyde microanalyser showing the different parts, i.e., the sampling, the uptake, the reaction and the detection.



27

28 Figure S1. Scheme of the formaldehyde microanalyser showing the different parts, i.e., the sampling,

29 the uptake, the reaction and the detection.