



**HAL**  
open science

## Design and Analysis of a Gilbert Analog Multiplier for Input Dynamic Range optimization

R. Vauche, Z. Benjelloun, R. Assila Belhadj Mefteh, W. Rahajandraibe, R. Bouchakour, H. Barthelemy

► **To cite this version:**

R. Vauche, Z. Benjelloun, R. Assila Belhadj Mefteh, W. Rahajandraibe, R. Bouchakour, et al.. Design and Analysis of a Gilbert Analog Multiplier for Input Dynamic Range optimization. 2020 15th Design & Technology of Integrated Systems in Nanoscale Era (DTIS), Apr 2020, Marrakech, Morocco. pp.1-6, 10.1109/DTIS48698.2020.9081262 . hal-02561126

**HAL Id: hal-02561126**

**<https://hal.science/hal-02561126v1>**

Submitted on 20 Dec 2021

**HAL** is a multi-disciplinary open access archive for the deposit and dissemination of scientific research documents, whether they are published or not. The documents may come from teaching and research institutions in France or abroad, or from public or private research centers.

L'archive ouverte pluridisciplinaire **HAL**, est destinée au dépôt et à la diffusion de documents scientifiques de niveau recherche, publiés ou non, émanant des établissements d'enseignement et de recherche français ou étrangers, des laboratoires publics ou privés.

# Design and Analysis of a Gilbert Analog Multiplier for Input Dynamic Range Optimization

R. Vauche<sup>1</sup>, Z. Benjelloun<sup>1</sup>, R. Assila Belhadj Mefteh<sup>1</sup>, W. Rahajandraibe<sup>1</sup>, R. Bouchakour<sup>1,2</sup>,  
H. Barthelemy<sup>1</sup>

<sup>1</sup>Aix-Marseille Univ, Univ Toulon, CNRS, IM2NP, France

<sup>2</sup>WitMonki SAS, Marseille, France

**Abstract**—In this paper, the design of a Gilbert analog multiplier is presented from design equations for input dynamic range optimization to measurement results, these last being obtained in the context of a square function dedicated to analog signal processing. The full circuit has been implemented using an AMS 0.35 $\mu$ m technology with a voltage supply ( $V_{DD}$ ) of 3.3V. Assuming a differential input voltage of  $\pm 400$ mV with a common voltage of  $V_{DD}/2$ , it is able to compute the square value of its differential input voltage with a mean precision of 2.92% in 5 $\mu$ s. Finally, the analog multiplier itself has a core area of 620 $\mu$ m<sup>2</sup> and offers power-gating capability, which enables a power consumption of 2.28 $\mu$ W when a duty cycle of 0.25% is considered.

**Keywords**—analog multiplier, analog processing chain, energy detector, dynamic optimization, Gilbert cell, power-gating

## I. INTRODUCTION

Among the different cardiovascular diseases which cause as many deaths as cancer in Europe, cardiac arrhythmia is one of the most common one. Fortunately, several types of cardiac arrhythmia can be detected using only heart rate variability [1]. To achieve it, the instantaneous heart rate can be estimated in real-time from pulsed physiological signals synchronized with heartbeats such as electrocardiogram [2], phonocardiogram [3], arterial pressure [4] or photoplethysmogram [5]. It is also necessary to be able to detect each pulse associated to a heartbeat in one of these signals, which has led to the development of lots of detection methods [6].

Most of instantaneous heart rate detection methods are based on a digital signal processing [7][8][9] in addition to an analog conditioning chain for the pre-processing of the sensed signal. They also require at least an Analog-to-Digital Converter (ADC) and a computing unit such as a microcontroller, the both having a certain cost in terms of power, size, and price. However, the time during which cardiac arrhythmia is detectable can be very brief. Its detection also requires a full-time monitoring which can be more comfortably achieved from the patient point of view with a compact battery-powered device.

Unfortunately, advanced digital processing and full-time monitoring can be done by compact battery-powered devices at the cost of regular battery recharges. To reduce power consumption, size, and cost, it has been proposed in [2] a processing based on an analog energy detector to detect heartbeat-synchronized pulses in electrocardiograms, which has been inspired by low-power and low-cost non-coherent receivers used in Ultra-WideBand Impulse Radio (IR-UWB) [10]. The main processing step of this non-coherent detection requires to compute the square value of the sensed signal. This can be done in the analog domain with an analog multiplier which potentially has a smaller cost in terms of power

This work is a part of the APPRISE/HIT project performed with the support of the A\*MIDEX project (n° ANR-11-IDEX-0001-02) funded by the "Investissements d'Avenir" French Government program, managed by the French National Research Agency (ANR).

consumption (especially when it can be periodically turned-off), size, and price compared to a digital processing.

Many analog multiplier architectures have been proposed in literature and especially the well-known Gilbert cells. However, they are usually able to work as a multiplier on a limited input voltage range. Indeed, a true multiplication can be obtained with bipolar Gilbert cells when input voltages are small in front of the twice of the thermal voltage, or with MOS Gilbert cells when one of the both input voltages is small and the other one is large. Although this is enough for mixing stage in wireless emitters and receivers, this becomes an issue when the square value of sensed physiological signals has to be computed since they can have a high dynamic range according to the measurement conditions.

For these reasons, the design of the MOS Gilbert cell is analyzed in section II in order to optimize the voltage input range for which a true multiplication can be obtained. In section III, post-layout simulation results of the designed multiplier are provided and analyzed in terms of computing precision of the multiplication. Next, section IV deals with the implementation of an analog square function built around the designed multiplier and shows measurements results which are compared to an ideal squarer.

## II. DESIGN OF THE ANALOG MULTIPLIER

The designed analog multiplier is based on a Gilbert cell which has the advantages to use a limited number of transistors in addition to have high input impedances. Its transistor level schematic is shown on Fig. 1.a. This structure also consists of three differential pairs (M1-M2, M3-M4, and M5-M6), two active loads (MA and MB), and a current source M0 controlled here by a  $PDB$  signal,  $PDB$  being a logic signal which enables the multiplier to be switched-on or switched-off. Finally, for reasons of symmetry, it should be noted that the transistors M1 and M2 must have the same dimensions, as well as the transistors MA and MB and the transistors M3, M4, M5, and M6.

However, it should be noted that although  $VD1$  and  $VD2$  are differential inputs voltage,  $VOP$  is here a single output voltage thanks to the connection between the gate and the drain of the MA transistor. Thus, this analog multiplier and also, the processing chain where it could be used, does not require an additional differential to single voltage converter. Nevertheless, a differential output can be obtained by removing this connection but then requires an appropriate biasing of MA and MB gates.

In the following subsections, the designed analog multiplier is analyzed in order to demonstrate with the help of design equations that it can operate as a true multiplier over a large range of  $VD1$  and  $VD2$ .

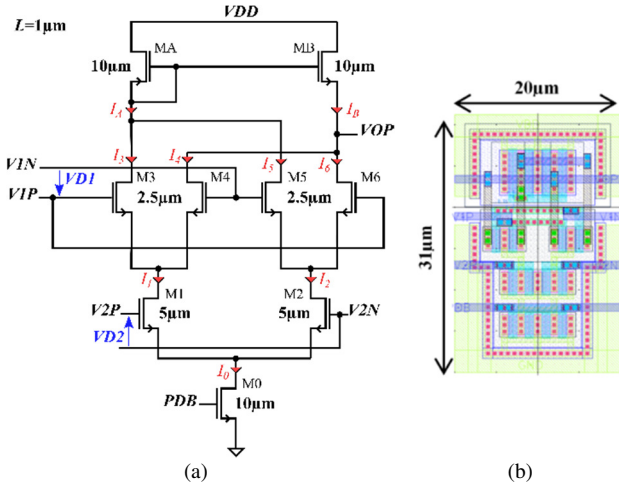


Fig. 1. Transistor level implementation (a) of the designed analog multiplier and its layout implementation (b).

### A. Biasing and Kirchoff's Laws

To allow a four-quadrant multiplication on the widest dynamic range, the circuit must be biased as follows:

$$VOP = \frac{VDD}{2} \text{ when } VIP = VIN = V2P = V2N = \frac{VDD}{2}. \quad (1)$$

In this case, if capacitive effects are neglected, the output voltage  $VOP$  can be written for low working frequencies according to Fig. 1.a as follows:

$$VOP = \frac{VDD}{2} + R_{OUT} \cdot I_D \quad (2)$$

where  $R_{OUT}$  is the output resistance of the analog multiplier and  $I_D$  is the differential current in the active loads defined as follows:

$$I_D = I_A - I_B \quad (3)$$

with:

$$I_0 = I_A + I_B. \quad (4)$$

To demonstrate that the proposed circuit works as an analog multiplier, it is necessary to write  $I_D$  as a function of  $VDI$  and  $VD2$ . To do this,  $I_A$  and  $I_B$  can be written as follows:

$$I_A = I_3 + I_5 \quad (5)$$

$$I_B = I_4 + I_6, \quad (6)$$

which allows  $I_D$  to be computed as follows:

$$I_D = I_{D1} - I_{D2} \quad (7)$$

with:

$$I_{D1} = I_3 - I_4 \quad (8)$$

$$I_{D2} = I_6 - I_5 \quad (9)$$

where  $I_{D1}$  (resp.  $I_{D2}$ ) is the differential current of the differential pair M3-M4 (resp. M5-M6), and  $I_X$  is the drain-source current of the MX transistor. Thus, it is now necessary to compute  $I_{D1}$  and  $I_{D2}$  using the well-known long channel MOS model introduced by Shockley [11] since every MOS length  $L$  has been set to  $1\mu\text{m}$  according to Fig. 1.a.

### B. Study of the Differential Pairs M3-M4 and M5-M6

In this subsection, the differential pair M3-M4 is firstly considered. Then, using the Kirchoff's current law,  $I_1$  can be written as follows:

$$I_1 = I_3 + I_4 \quad (10)$$

However, considering (1), M3 (resp. M4) must be in the saturation region of the Shockley's model since the drain-source voltage of M3 (resp. M4) is higher than its gate-source voltage minus the threshold voltage of NMOS transistors. This leads to:

$$I_3 = \frac{\beta_{3-6}}{2} (V_{GS3} - V_{TH})^2 \quad (11)$$

$$I_4 = \frac{\beta_{3-6}}{2} (V_{GS4} - V_{TH})^2 \quad (12)$$

with:

$$\beta_{3-6} = \mu \frac{\epsilon_{ox}}{t_{ox}} \frac{W_{3-6}}{L} = \alpha \frac{W_{3-6}}{L} \quad (13)$$

where  $\mu$  is the electron mobility,  $\epsilon_{ox}$  is the oxide permittivity,  $t_{ox}$  is the oxide thickness,  $W_{3-6}$  is the width of transistors used in M3-M4 and M5-M6,  $V_{GSX}$  is the gate-source voltage of MX, and  $V_{TH}$  is the threshold voltage of NMOS transistors. For the considered  $0.35\mu\text{m}$  technology,  $\alpha$  is about  $200\mu\text{A}/\text{V}^2$  and  $V_{TH}$  is about  $0.55\text{V}$ .

By solving the equation system constituted by (8) and (10), it is possible to write with the help of (11) and (12):

$$I_1 + I_{D1} = \beta_{3-6} (V_{GS3} - V_{TH})^2 \quad (14)$$

$$I_1 - I_{D1} = \beta_{3-6} (V_{GS4} - V_{TH})^2 \quad (15)$$

which enables to write  $V_{GS3}$  and  $V_{GS4}$  as follows:

$$V_{GS3} = \sqrt{(I_1 + I_{D1}) / \beta_{3-6}} + V_{TH} \quad (16)$$

$$V_{GS4} = \sqrt{(I_1 - I_{D1}) / \beta_{3-6}} + V_{TH}. \quad (17)$$

However, since  $VIP$  and  $VIN$  can be expressed as follows:

$$VIP = VDD/2 + VDI/2 = V_{GS3} + V_{DS1} + V_{DS0} \quad (18)$$

$$VIN = VDD/2 - VDI/2 = V_{GS4} + V_{DS1} + V_{DS0} \quad (19)$$

with  $V_{DSX}$  is the drain-source voltage of MX transistor, the differential input voltage  $VDI$  can be written as follows:

$$VDI = V_{GS3} - V_{GS4} = \left( \sqrt{I_1 + I_{D1}} - \sqrt{I_1 - I_{D1}} \right) / \sqrt{\beta_{3-6}}. \quad (20)$$

By supposing:

$$|I_{D1}| \ll I_1 \quad (21)$$

which is true thanks to (19) while:

$$|VDI| \ll VDD - 2(V_{DS1} + V_{DS0} + V_{TH}) \quad (22)$$

since (21) leads to:

$$0 \ll 2(V_{GS4} - V_{TH})^2 \quad (23)$$

and also to:

$$V_{TH} \ll V_{GS4}, \quad (24)$$

(20) becomes:

$$VDI = I_{D1} / \sqrt{\beta_{3-6} I_1} \quad (25)$$

which allows the differential current  $I_{D1}$  of the differential pair M3-M4 to be written as follows:

$$I_{D1} = VDI \sqrt{\beta_{3-6} I_1}. \quad (26)$$

By following the same reasoning from (10) to (25) for the differential current  $I_{D2}$  of the differential pair M5-M6,  $I_{D2}$  can be written as follows:

$$I_{D2} = VDI \sqrt{\beta_{3-6} I_2} \quad (27)$$

which is true while:

$$|VDI| \ll VDD - 2(V_{DS2} + V_{DS0} + V_{TH}). \quad (28)$$

Thus, (7) becomes:

$$I_D = VDI \sqrt{\beta_{3-6}} (\sqrt{I_1} - \sqrt{I_2}) \quad (29)$$

while (22) and (28) are true and it is also necessary to study the differential pair M1-M2 to link  $I_D$  to  $VD2$ .

### C. Study of the Differential Pair M1-M2

In literature, M1 and M2 transistors are usually considered in saturation region which leads to:

$$I_D = \sqrt{\frac{\beta_{3-6} \beta_{1-2}}{2}} \cdot VDI \cdot VD2 \quad (30)$$

since:

$$I_1 = \frac{\beta_{1-2}}{2} (V_{GS1} - V_{TH})^2 \quad (31)$$

$$I_2 = \frac{\beta_{1-2}}{2} (V_{GS2} - V_{TH})^2 \quad (32)$$

with:

$$\beta_{1-2} = \mu \frac{\epsilon_{ox}}{t_{ox}} \frac{W_{1-2}}{L} = \alpha \frac{W_{1-2}}{L} \quad (33)$$

where  $W_{1-2}$  is the width of M1 and M2 transistors.

However, in practical, it is not possible to bias M1 and M2 in saturation region due the stacking of 4 MOS lines between the ground and the voltage supply when the Gilbert multiplier is biased according to (1). Indeed, this biasing requires that:

$$V_{DSX} > V_{DSXsat} = V_{GSX} - V_{TH} \quad (34)$$

where  $X$  has to be replaced by 1 or 2 according to the considered transistor is M1 or M2. When applied to M1 and M2, (34) leads to the following impossible conditions:

$$VD2 \ll -VD1 \quad (35)$$

$$VD2 \gg VD1, \quad (36)$$

since (22) and (28) combined to (34) can be written as follows:

$$2V_{DS1sat} \ll VDD - VD1 - 2(V_{DS0} + V_{TH}) \quad (37)$$

$$2V_{DS2sat} \ll VDD - VD1 - 2(V_{DS0} + V_{TH}) \quad (38)$$

where  $V_{GSX}$  and also  $V_{DSXsat}$  can be computed with the help of:

$$V2P = VDD/2 + VD2/2 = V_{GS1} + V_{DS0} \quad (39)$$

$$V2N = VDD/2 - VD2/2 = V_{GS2} + V_{DS0}. \quad (40)$$

M1 and M2 can also never been in the saturation region in the same time.

For this reason, it is now considered in this paper that M1 and M2 operate in linear region which leads according to the Shockley model to:

$$I_1 = \beta_{1-2} (V_{GS1} - V_{TH} - V_{DS1}/2) V_{DS1} \quad (41)$$

$$I_2 = \beta_{1-2} (V_{GS2} - V_{TH} - V_{DS2}/2) V_{DS2}. \quad (42)$$

Thus, by supposing that:

$$V_{GS1} - V_{TH} \gg V_{DS1}/2 \quad (43)$$

$$V_{GS2} - V_{TH} \gg V_{DS2}/2 \quad (44)$$

(41) and (42) can be written as follows:

$$I_1 = \beta_{1-2} (V_{GS1} - V_{TH}) V_{DS1} \quad (45)$$

$$I_2 = \beta_{1-2} (V_{GS2} - V_{TH}) V_{DS2}. \quad (46)$$

According to the Fig. 1.a,  $I_1$  and  $I_2$  can be equally written as a function of the bias current  $I_0$  and of the differential current  $I_{D0}$  of the differential pair M1-M2:

$$I_1 = (I_0 + I_{D0})/2 \quad (47)$$

$$I_2 = (I_0 - I_{D0})/2 \quad (48)$$

since:

$$I_0 = I_1 + I_2 \quad (49)$$

$$I_{D0} = I_1 - I_2, \quad (50)$$

which allows (29) to be rewritten as follows:

$$I_D = \sqrt{\beta_{3-6}/2} \cdot VDI \cdot (\sqrt{I_0 + I_{D0}} - \sqrt{I_0 - I_{D0}}) \quad (51)$$

and simplified to:

$$I_D = \sqrt{\beta_{3-6}/(2I_0)} \cdot VDI \cdot I_{D0} \quad (52)$$

when:

$$|I_{D0}| \ll I_0 \quad (53)$$

which is true by replacing  $I_1$ , and  $I_2$  in (49) and (50) with their expression given (45) and (46) when:

$$|VD2| \ll VDD - 2(V_{DS0} + V_{TH}). \quad (54)$$

Considering the assumptions made on  $V_{DS1}$  and  $V_{DS2}$  indicated in (43) and (44), it is also possible to assume that  $V_{DS1}$  and  $V_{DS2}$  have small variations compared to their average values and therefore that:

$$V_{DS1} \approx V_{DS2} \approx (V_{DS1} + V_{DS2})/2 \quad (55)$$

By injecting now (45) and (46) in (50) taking into account (39) and (40), this gives:

$$I_{D0} = \beta_{1-2} \cdot VD2 \cdot (V_{DS1} + V_{DS2})/2 \quad (56)$$

since:

$$VD2 = V_{GS1} - V_{GS2}. \quad (57)$$

Using (52) and (56), the differential current  $I_D$  of the analog multiplier can also be written as follows:

$$I_D = \beta_{1,2} \cdot \sqrt{\frac{\beta_{3,6}}{2I_0}} \cdot \frac{V_{DS1} + V_{DS2}}{2} \cdot VD1 \cdot VD2 \quad (58)$$

which demonstrates that the proposed Gilbert cell works as a voltage multiplier while (28) and (54) are true when M3 to M6 operate in saturation region and M1 and M2 in linear region. It can be noted that the drain-source voltage of M0, M1, and M2 should be as low as possible to optimize the input voltage range of the multiplier.

Finally, it is possible to write (58) using only the technology parameters, the biasing current  $I_0$  and  $V_{DS0}$ . For this, by now injecting (45) and (46) in (49) and taking into account (39), (40), and (55),  $I_0$  can be written as follows:

$$I_0 = \beta_{1,2} \frac{V_{DS1} + V_{DS2}}{2} (VDD - 2 \cdot [V_{DS0} + V_{TH}]) \quad (59)$$

which leads using (58) and (59) to:

$$I_D = \sqrt{\frac{\beta_{3,6} I_0}{2}} \cdot \frac{1}{VDD - 2 \cdot [V_{DS0} + V_{TH}]} \cdot VD1 \cdot VD2 \quad (60)$$

Thus, the output voltage of the proposed analog multiplier can be written as follows:

$$VOP = VOP_{OFFSET} + K \cdot VD1 \cdot VD2 \quad (61)$$

where  $K$  is the gain of the analog multiplier which is equal to:

$$K = \sqrt{\frac{\beta_{3,6} I_0}{2}} \cdot \frac{R_{OUT}}{VDD - 2 \cdot [V_{DS0} + V_{TH}]} \quad (62)$$

and  $VOP_{OFFSET}$  is the output offset voltage which is equal to:

$$VOP_{OFFSET} = \frac{VDD}{2} \quad (63)$$

### III. POST-LAYOUT SIMULATIONS OF THE DESIGNED ANALOG MULTIPLIER

The proposed analog multiplier has been implemented using an AMS 0.35 $\mu$ m CMOS technology with a supply voltage of 3.3V. Its layout is shown in Fig. 1.b and has a core area of 620 $\mu$ m<sup>2</sup>. The size and the post-layout simulated operating point of each MOS transistor is shown in Tab. I when  $V_{IP}$ ,  $V_{IN}$ ,  $V_{2P}$ , and  $V_{2N}$  are set to  $VDD/2$  (1.65V) and when  $PDB$  is equal to  $VDD$  (3.3V). These values lead to an output voltage  $VOP$  of 1.75V instead of  $VDD/2$  (1.65V) as initially desired in (1). However, this is not an issue since it is just an offset which can be taken into account by increasing the threshold used in the analog processing chain [10]. Finally, operating regions of each transistor are in accordance with the theoretical analysis.

To analyze multiplier performances in terms of computing precision, the distribution of its gain  $K$  defined in (61) has been studied using post-layout simulations for given ranges of  $VD1$  and  $VD2$ . Indeed,  $K$  being extracted as a gain relative to the true multiplication, the less the distribution of  $K$  over an input range is wide, the more the multiplier is accurate. Thus, the figure of merit used here is the relative standard deviation (also known as coefficient of variation) of  $K$  in percent noted  $c_{V-K}$  which is defined, with the help of the average value of  $K$  noted  $\mu_K$  and the standard deviation of  $K$  noted  $\sigma_K$ , as follows:

$$c_{V-K} = \frac{\sigma_K}{\mu_K} \times 100 \quad (64)$$

TABLE I. SIZE AND BIASING OF MOS TRANSISTORS USED IN THE DESIGNED MULTIPLIER

MOS	W ( $\mu$ m)	L ( $\mu$ m)	$I_{Dsl}$ ( $\mu$ A)	$ V_{GS} $ (V)	$ V_{DS} $ (V)	Region
M0	10	1	275	3.3	0.1	Linear
M1-M2	5	1	138	1.55	0.25	Linear
M3-M6	2.5	1	68.8	1.3	1.4	Saturation
MA-MB	10	1	138	1.55	1.55	Saturation

The output voltage  $VOP$  obtained for the range of  $VD1$  and  $VD2$  defined over the interval [-400mV; 400mV] is shown in Fig. 2 when  $VD1$  is independent of  $VD2$ . From this curves network, the distribution of  $K$  for different ranges of  $VD1$  and  $VD2$ , which are [-100mV; 100mV], [-200mV; 200mV] and [-400mV; 400mV], has been extracted and results are shown in Tab. II. It also appears that  $\mu_K$  is relatively stable over the ranges since it is between 4.51 and 4.60. Moreover,  $\sigma_K$  and  $c_{V-K}$ , decreases as the ranges of  $VD1$  and  $VD2$  are reduced. This was expected since the more the ranges of  $VD1$  and  $VD2$  are small, the more the conditions seen during the theoretical study on  $VD1$  and  $VD2$  are true. Furthermore, for the range [-400mV; 400mV] corresponding to the worst case,  $c_{V-K}$  which represents the mean computing precision of the multiplier is 5.72%. Finally, the theoretical conditions on the voltage ranges of  $VD1$  and  $VD2$  allowing multiplier operation of the proposed circuit are verified since  $VD1$  (resp.  $VD2$ ) is small in front 1.5V (resp. 2V) according to (28) (resp. (54)).

Since the proposed analog multiplier has to be used in an energy detector, the distribution of the gain  $K$  has been equally studied when it works as a squaring stage, or in other words, when  $VD1$  is equal to  $VD2$ . The output voltage  $VOP$  obtained for the  $VD1$  range (and also  $VD2$  range) [-500mV; 500mV] is shown in Fig. 3. To verify that the circuits operates as a true square function, the curve of an ideal squarer having a gain of 4.5 has been plotted on the same figure. It appears that the curves are very close to each other as confirmed by the analysis of the distribution of  $K$  indicated in Tab. III. Indeed, it appears that for the interval [-400mV; 400mV],  $\mu_K$  value is 4.50 and  $c_{V-K}$  (mean computing precision of the squarer) is only 1.14% which is better than the 5.72% obtained in multiplier mode.

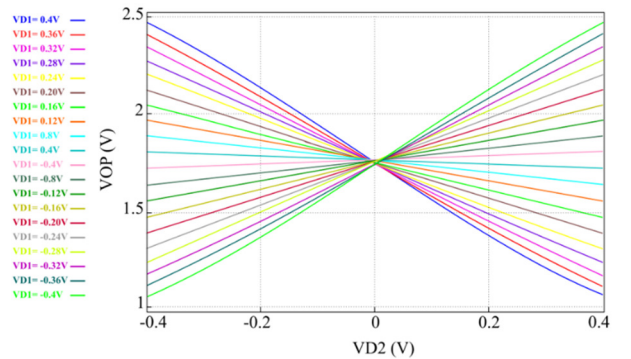


Fig. 2. DC transfer characteristics of the proposed analog multiplier for a high impedance output load when  $VD1$  and  $VD2$  are independent.

TABLE II. SIMULATED DISTRIBUTION OF  $K$  FOR A HIGH IMPEDANCE OUTPUT LOAD, WHEN  $VD1$  AND  $VD2$  ARE INDEPENDENT

$VD1$ and $VD2$ range	$\mu_K$	$\sigma_K$	$c_{V-K}$ (%)
[-100mV; +100mV]	4.51	0.12	2.59
[-200mV; +200mV]	4.54	0.18	3.86
[-400mV; +400mV]	4.60	0.26	5.72

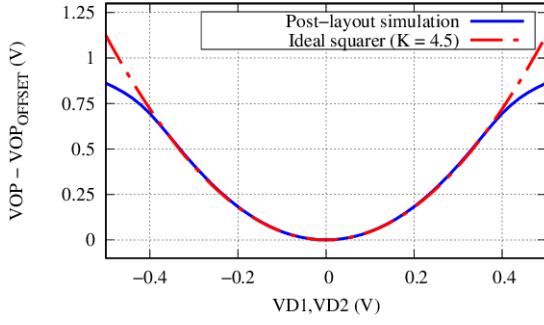


Fig. 3. DC transfer characteristic of the proposed analog multiplier for a high impedance output load when  $VD1$  is equal to  $VD2$ .

TABLE III. SIMULATED DISTRIBUTION OF  $K$  FOR A HIGH IMPEDANCE OUTPUT LOAD WHEN  $VD1$  IS EQUAL TO  $VD2$ .

$VD1$ and $VD2$ range	$\mu_K$	$\sigma_K$	$c_{v-K}$ (%)
[-100mV;+100mV]	4.49	6.48e-3	0.14
[-200mV;+200mV]	4.50	18.9e-3	0.42
[-400mV;+400mV]	4.50	51.2e-3	1.14

Finally, the multiplier output has a speed of variation of  $0.56V/\mu s$  on a capacitive load of  $10pF$  for a simultaneous step of  $VD1$  and  $VD2$  from  $0V$  to  $0.4V$ . According to Tab. I, the current consumed by the multiplier is  $275\mu A$  (i.e. a power consumption of  $0.91mW$ ) when it is turned-on ( $PDB = VDD$ ), but it is only  $5pA$  (i.e. a power consumption of  $16.5pW$ ) when it is turned off ( $PDB = 0V$ ). Thanks to its output slew rate and its very low power consumption when it is turned-off, it is therefore possible to use a power management scheme which consists in turning-off the circuits as soon as they have accomplished their task [12][13]. Thus, assuming that it is possible to compute the multiplication using the proposed circuit and to store the result in a capacitor in less than  $10\mu s$ , the multiplier would be turned-on with a duty cycle of only  $250/100\ 000$  (0.25%) since  $250Hz$  is a sufficient sampling frequency to detect pulses centred on  $10Hz$  which are synchronized with heart beats in electrocardiograms [2]. In this case, the average power consumption of the proposed analog multiplier would be only  $2.28\mu W$ .

#### IV. MEASUREMENT RESULTS OF THE SQUARE FUNCTION BASED ON THE DESIGNED MULTIPLIER

The designed multiplier has a single output but two differential inputs. To use it as an analog square function which has a single input, op-amp based subtractors with  $R=100k\Omega$  have been implemented on chip before the multiplier as shown on Fig. 4. They also allow the single input having an offset of  $VDD/2$  ( $1.65V$ ) to be transformed to a symmetrical input around  $VDD/2$ . Furthermore,  $V1P$  and  $V2P$  as well as  $V1N$  and  $V2N$  have been connected together to have  $VD1$  equal to  $VD2$  and thus, to use the multiplier as a square function. Finally, op-amp based followers have been implemented to isolate the square function from input source and output load. It can be noted that all used op-amps are standard IPs of the  $0.35\mu m$  AMS design kit, which have led to a core area of  $0.9mm^2$  for the full squarer. The obtained square function is also not optimal in terms of space and power consumption since its goal is just to highlight the multiplier performances in terms of input voltage range and precision.

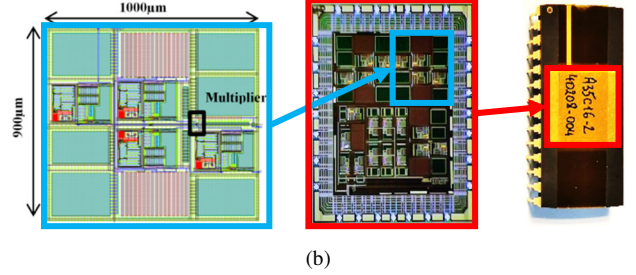
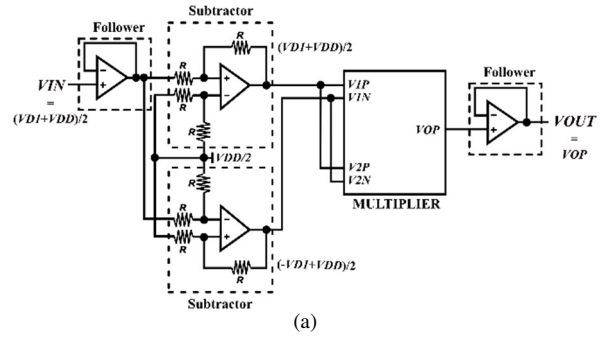


Fig. 4. Implemented square function based on the designed multiplier: schematic (a) ; layout implementation, chip photography and package photography (b).

The DC transfer characteristic of the implemented square function has been measured and compared to the ideal response of a square function having a gain of 3.5 in Fig. 5. It appears that the curves are close to each other for  $VD1$  range  $[-400mV;400mV]$ . However, compared to the post-layout simulations of the stand-alone multiplier, the gain has decreased from 4.5 to 3.5 due to process variations and the additional load introduced by the op-amp based functions. About the distribution of  $K$ , it appears that the measured relative standard deviation  $c_{v-K}$  of the gain  $K$  has increased from 1.14% to 2.93% for the  $VD1$  range  $[-400mV;400mV]$  according to Tab. IV. Moreover, unlike post-layout simulations of the stand-alone multiplier,  $c_{v-K}$  increases for as the  $VD1$  range decreases. These both phenomena are due to the observed output noise when  $VD1$  is near to  $0V$  since the square of a near zero value is lower than this near zero value. Finally, transient response of the squarer for a  $1kHz$  triangular voltage input is shown in Fig. 6 and follows well the DC characteristic. In addition, the impulse response of the squarer is given in Fig. 7 and shows an overshoot of 66% and a response time defined at 5% around the final output step equals to  $5\mu s$ . Unfortunately, the power consumption of the multiplier alone has not been verified since other circuits are connected on the same  $VDD$  pin.

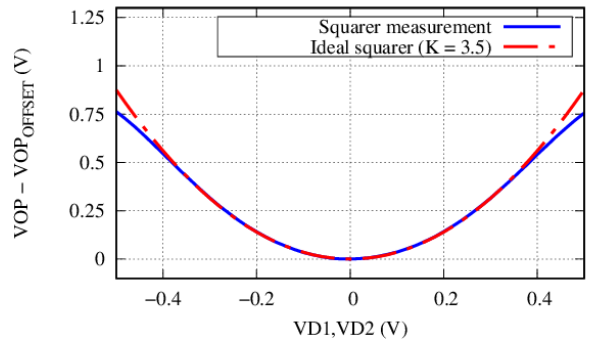


Fig. 5. DC transfer characteristic of the designed analog square function based on the proposed multiplier for a high impedance output load.

TABLE IV. MEASURED DISTRIBUTION OF  $K$  FOR A HIGH IMPEDANCE OUTPUT LOAD WHEN  $VD1$  IS EQUAL TO  $VD2$

VD1 and VD2 range	$\mu_K$	$\sigma_K$	$C_V-K$ (%)
[-100mV;+100mV]	3.59	210e-3	5.86
[-200mV;+200mV]	3.56	136e-3	3.83
[-400mV;+400mV]	3.52	103e-3	2.93

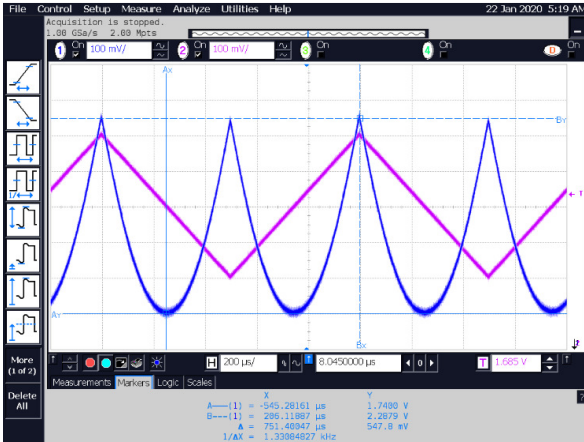


Fig. 6. Transient response of the analog square function for a 1kHz triangular voltage input (0.4Vpp around  $VDD/2=1.65V$ ) on a high impedance output load.

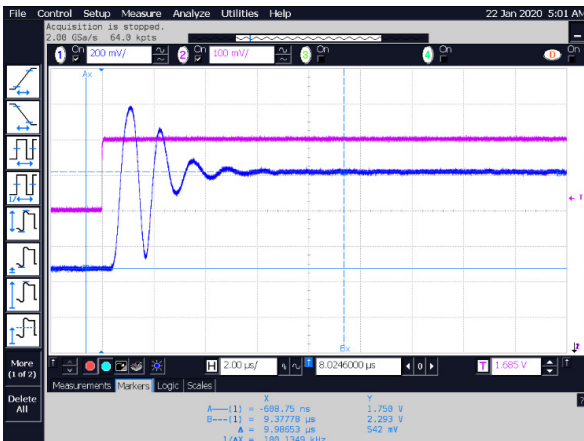


Fig. 7. Impulse response of the analog square function for a 1kHz square voltage input ( $V_{LOW} = VDD/2 = 1.65V$ ,  $V_{HIGH} = VDD/2 + 0.2 = 1.85V$ ) on a high impedance output load.

## V. CONCLUSION

In this paper, a Gilbert analog multiplier has been presented from design equations for input dynamic range optimization to measurement results, these last being obtained in the context of a square function dedicated to analog signal processing. The full circuit has been implemented using an AMS 0.35 $\mu$ m technology with a voltage supply ( $VDD$ ) of 3.3V. Assuming a differential input voltage of  $\pm 400mV$  with a common voltage of  $VDD/2$ , it is able to compute the square value of its differential input voltage with a mean precision of 2.92% in 5 $\mu$ s. Finally, the analog multiplier itself has a core area of 620 $\mu$ m<sup>2</sup> and offers power-gating capability, which enables a power consumption of 2.28 $\mu$ W when a duty cycle of 0.25% is considered. As it has been done using post-layout simulations in [2], the test chip must now be inserted in a full processing chain in order to verify its ability to detect pulses synchronized with heartbeats in electrocardiogram according to the Signal-to-Noise Ratio (SNR) of the sensed signal.

However, the accuracy of the proposed multiplier could be improved. Firstly, the proposed Gilbert cell works in open loop which simplifies the design and the standby of the cell, but makes it sensitive to Process, Voltage, and Temperature (PVT) variations. To reduce this sensitivity, a feedback could also be added on the gate of the MOS current source but removes the possibility to easily turn-off it using a logic signal. Secondly, the current source is achieved using a MOS transistor in linear region which makes the bias current (drain-source current of this MOS transistor) dependent to its drain-source voltage. This is due to the difficulty to bias this MOS transistor in saturation region with the targeted operating point and the same drain-source current (and also the same gain). Indeed, this necessitates to increase the MOS transistor width in order to enable a decrease of the gate-source voltage and also, removes again the possibility to easily turn-off the cell using a logic signal. Finally, in this work, bulks and sources of NMOS differential pairs are not biased to the same voltage, which can induce variations of the threshold voltage due to the body effect. To avoid it, a triple well option must be considered for NMOS transistors. Unfortunately, this process option is not available in every design kit and so, PMOS differential pairs should be considered for future designs since bulk of each PMOS can usually be separately biased.

## REFERENCES

- [1] R. Bouchakour, S. Delliaux, M. Ouladsine, J.-C. Deharo, W. Rahajandraibe, A. Charai, "Method for detecting at least one cardiac disturbance," French Patent WO2018002542, Jan. 4, 2018.
- [2] Z. Benjelloun, R. Vauche, W. Rahajandraibe and R. Bouchakour, "Design of an energy detector for heartbeat localization in ECG signals," 2016 IEEE International Conference on Electronics, Circuits and Systems (ICECS), Monte Carlo, 2016, pp. 73-76.
- [3] H. Liang, S. Lukkariinen and I. Hartimo, "Heart sound segmentation algorithm based on heart sound envelopogram," Computers in Cardiology 1997, Lund, Sweden, 1997, pp. 105-108.
- [4] C. C. Y. Poon and Y. T. Zhang, "Cuff-less and Noninvasive Measurements of Arterial Blood Pressure by Pulse Transit Time," 2005 IEEE Engineering in Medicine and Biology 27th Annual Conference, Shanghai, 2005, pp. 5877-5880.
- [5] J. Lee, B. A. Reyes, D. D. McManus, O. Maitas and K. H. Chon, "Atrial Fibrillation Detection Using an iPhone 4S," in IEEE Transactions on Biomedical Engineering, vol. 60, no. 1, pp. 203-206, Jan. 2013.
- [6] A. Nait-Ali, "Advanced Biosignal Processing," Springer-Verlag Berlin Heidelberg, 2009.
- [7] D. S. Benitez, P. A. Gaydecki, A. Zaidi and A. P. Fitzpatrick, "A new QRS detection algorithm based on the Hilbert transform," Computers in Cardiology 2000, Cambridge, MA, pp. 379-382, 2000.
- [8] S. M. Szilagyai and L. Szilagyai, "Wavelet transform and neural-network-based adaptive filtering for QRS detection," Engineering in Medicine and Biology Society, 2000. Proceedings of the 22nd Annual International Conference of the IEEE, Chicago, IL, vol. 2, pp. 1267-1270, 2000.
- [9] V. X. Afonso, "ECG QRS detection" Biomedical digital signal processing, Willis J. Tompkins (Ed.). Prentice-Hall, Inc., Upper Saddle River, NJ, USA 236-264, 1993.
- [10] R. Vauche et al., "A 100 MHz PRF IR-UWB CMOS Transceiver With Pulse Shaping Capabilities and Peak Voltage Detector," in IEEE Transactions on Circuits and Systems I: Regular Papers, vol. 64, no. 6, pp. 1612-1625, June 2017.
- [11] W. Shockley, "A Unipolar "Field-Effect" Transistor," in Proceedings of the IRE, vol. 40, no. 11, pp. 1365-1376, Nov. 1952.
- [12] R. Vauche, S. Bourdel, N. Dehaese, J. Gaubert, O. Ramos Sparrow, E. Muhr et H. Barthelemy, "High efficiency UWB pulse generator for ultra-low-power applications," International Journal of Microwave and Wireless Technologies, vol. 8, no. 3, pp. 495-503, 2015.
- [13] J. F. Pons, N. Dehaese, S. Bourdel, J. Gaubert et B. Paille, "RF Power Gating: A Low-Power Technique for Adaptive Radios," in IEEE Transactions on Very Large Scale Integration (VLSI) Systems, vol. 24, no. 4, pp. 1377-1390, April 2016.