



HAL
open science

A Global Constraint for the Exact Cover Problem: Application to Conceptual Clustering

Maxime Chabert, Christine Solnon

► **To cite this version:**

Maxime Chabert, Christine Solnon. A Global Constraint for the Exact Cover Problem: Application to Conceptual Clustering. *Journal of Artificial Intelligence Research*, 2020, 67, pp.509 - 547. 10.1613/jair.1.11870 . hal-02507186

HAL Id: hal-02507186

<https://hal.science/hal-02507186v1>

Submitted on 12 Mar 2020

HAL is a multi-disciplinary open access archive for the deposit and dissemination of scientific research documents, whether they are published or not. The documents may come from teaching and research institutions in France or abroad, or from public or private research centers.

L'archive ouverte pluridisciplinaire **HAL**, est destinée au dépôt et à la diffusion de documents scientifiques de niveau recherche, publiés ou non, émanant des établissements d'enseignement et de recherche français ou étrangers, des laboratoires publics ou privés.

A Global Constraint for the Exact Cover Problem: Application to Conceptual Clustering

Maxime Chabert

*Infologic, Université de Lyon, INSA-Lyon,
CNRS, LIRIS, F-69621, Villeurbanne, France*

MCH@INFOLOGIC.FR

Christine Solnon

*Université de Lyon, INSA-Lyon, Inria, CITI,
CNRS, LIRIS, F-69621, Villeurbanne, France*

CHRISTINE.SOLNON@INSA-LYON.FR

Abstract

We introduce the *exactCover* global constraint dedicated to the exact cover problem, the goal of which is to select subsets such that each element of a given set belongs to exactly one selected subset. This \mathcal{NP} -complete problem occurs in many applications, and we more particularly focus on a conceptual clustering application.

We introduce three propagation algorithms for *exactCover*, called *Basic*, *DL*, and *DL+*: *Basic* ensures the same level of consistency as arc consistency on a classical decomposition of *exactCover* into binary constraints, without using any specific data structure; *DL* ensures the same level of consistency as *Basic* but uses *Dancing Links* to efficiently maintain the relation between elements and subsets; and *DL+* is a stronger propagator which exploits an extra property to filter more values than *DL*.

We also consider the case where the number of selected subsets is constrained to be equal to a given integer variable k , and we show that this may be achieved either by combining *exactCover* with existing constraints, or by designing a specific propagator that integrates algorithms designed for the *NValues* constraint.

These different propagators are experimentally evaluated on conceptual clustering problems, and they are compared with state-of-the-art declarative approaches. In particular, we show that our global constraint is competitive with recent ILP and CP models for mono-criterion problems, and it has better scale-up properties for multi-criteria problems.

1. Introduction

The exact cover problem aims at deciding whether it is possible to select some subsets within a given collection of subsets in such a way that each element of a given set belongs to exactly one selected subset. This problem is \mathcal{NP} -complete (Karp, 1972). It occurs in many applications, and different approaches have been proposed for solving it. In particular, Knuth (2000) has introduced the DLX algorithm that uses a specific data structure called *Dancing Links*. Also, different declarative exact approaches have been proposed, based on Constraint Programming (CP), Integer Linear Programming (ILP), or Boolean satisfiability (SAT). However, none of these declarative approaches is competitive with DLX.

In this paper, we introduce global constraints and propagation algorithms dedicated to the exact cover problem to improve scale-up properties of CP for solving these problems. We evaluate the interest of these global constraints for solving conceptual clustering problems.

1.1 Contributions and Overview of the Paper

In Section 2, we briefly recall basic principles of Constraint Programming.

In Section 3, we describe the exact cover problem, and we describe existing exact approaches for solving this problem. In particular, we describe the DLX algorithm of Knuth (2000). We also describe existing declarative approaches, *i.e.*, the Boolean CP model of Hjort Blindell (2018), the ILP model of Ouali, Loudni, Lebbah, Boizumault, Zimmermann, and Loukil (2016), and the SAT models of Junttila and Kaski (2010).

In Section 4, we define the *exactCover* global constraint, and we introduce three propagation algorithms for this constraint, called *Basic*, *DL*, and *DL+*:

- *Basic* ensures the same level of consistency as Arc Consistency (AC) on the Boolean CP model of Hjort Blindell (2018), without using any specific data structure;
- *DL* ensures the same level of consistency as *Basic* but uses Dancing Links to efficiently maintain the data structure that links elements and subsets;
- *DL+* also uses Dancing Links, but further propagates a property used by Davies and Bacchus (2011) to filter more values.

We experimentally compare these three algorithms with DLX and with existing declarative exact approaches (SAT, ILP, and CP).

In Section 5, we consider the case where the number of selected subsets is constrained to be equal to a given integer variable k , and we show that this may be achieved either by combining *exactCover* with existing constraints, or by extending the *DL+* propagator of *exactCover* in order to integrate algorithms introduced for the *NValues* global constraint (Bessière, Hebrard, Hnich, Kiziltan, & Walsh, 2006).

In Section 6, we introduce conceptual clustering problems and we show how to use our global constraints to solve these problems. We experimentally compare our approach with state-of-the-art declarative exact approaches. We first consider mono-criterion problems, where the goal is to find a clustering that optimizes a single objective function. Finally, we consider bi-criteria problems, where the goal is to compute the Pareto front of all non-dominated solutions for two conflicting objective functions.

2. Background on Constraint Programming

In this section, we briefly recall basic principles of Constraint Programming. We refer the reader to Rossi, Beek, and Walsh (2006) for more details.

A *Constraint Satisfaction Problem (CSP)* is defined by a triple (X, D, C) such that X is a finite set of variables, D is a function that associates a finite domain $D(x_i) \subset \mathbb{Z}$ to every variable $x_i \in X$, and C is a finite set of constraints.

A *constraint* c is a relation defined on a sequence of variables $X(c) = (x_{i_1}, \dots, x_{i_{\#X(c)}})$, called the *scheme* of c , where $\#X(c)$ is the *arity* of c . c is the subset of $\mathbb{Z}^{\#X(c)}$ that contains the combinations of values $\tau \in \mathbb{Z}^{\#X(c)}$ that satisfy c . The scheme of a constraint c is a sequence of variables and not a set because the order of values matters for tuples in c . However, we use set operators on sequences: $s_1 \subseteq s_2$ denotes that every element in a sequence s_1 also appears in another sequence s_2 , and $e \in s$ denotes that an element e occurs in a sequence s . If $\#X(c) = 2$ then c is a binary constraint.

An *instantiation* I on $Y = (x_1, \dots, x_k) \subseteq X$ is an assignment of values v_1, \dots, v_k to the variables x_1, \dots, x_k . Given a subset of variables $Z \subset Y$, $I[Z]$ denotes the tuple of values associated with the variables in Z . I is *valid* if for all $x_i \in Y, v_i \in D(x_i)$. I is *partial* if $Y \subset X$ and *complete* if $Y = X$. I is *locally consistent* if it is valid and for every $c \in C$ such that $X(c) \subseteq Y$, $I[X(c)]$ satisfies c . A *solution* is a complete instantiation on X which is locally consistent.

An objective function may be added to a CSP, thus defining a *Constrained Optimization Problem* (COP). This objective function is defined on some variables of X and the goal is to find the solution that optimizes (minimizes or maximizes) the objective function.

CSPs and COPs may be solved by generic constraint solvers which are usually based on a systematic exploration of the search space: Starting from an empty instantiation, variables are recursively instantiated until either finding a solution or detecting an inconsistency (in which case the search must backtrack to try other assignments). This exhaustive exploration of the search space is combined with *constraint propagation* techniques: At each node of the search tree, constraints are propagated to filter variable domains, *i.e.*, remove values that cannot belong to a solution. When constraint propagation removes all values from a domain, the search must backtrack.

Given a constraint, different propagation algorithms may be considered, and they may differ on their filtering strength (*i.e.*, the number of values that are removed) and/or on their time and space complexity. The goal is to find the best trade-off between these criteria. Many propagation algorithms filter domains to ensure arc consistency. A domain D is AC on a constraint c for a variable $x_i \in X(c)$ if for every value $v \in D(x_i)$ there exists a valid instantiation I on $X(c)$ such that I satisfies c and $I[x_i] = v$. A CSP is AC if D is AC for all variables in X on all constraints in C .

3. Exact Cover Problem

In this section, we first introduce the exact cover problem and some of its applications. Then, we describe an algorithm and a data structure introduced by Knuth (2000) to solve this problem. Finally, we describe existing declarative models (CP, ILP, and SAT) for this problem.

3.1 Definitions and Notations

Definition 1. An instance of the *Exact Cover Problem* (EC) is defined by a couple (S, P) such that S is a set of elements and $P \subseteq \mathcal{P}(S)$ is a set of subsets of S . EC aims at deciding if there exists a subset $E \subseteq P$ which is a partition of S , *i.e.*, $\forall a \in S, \#\{u \in E : a \in u\} = 1$.

Elements of S are denoted a, b, c , etc, whereas elements of P (*i.e.*, subsets) are denoted t, u, v , etc. For each element $a \in S$, we denote $cover(a)$ the set of subsets that contain a , *i.e.*, $cover(a) = \{u \in P : a \in u\}$. Two subsets $u, v \in P$ are *compatible* if $u \cap v = \emptyset$ and, for every subset $u \in P$, we denote $incompatible(u)$ the subsets of P that are not compatible with u , *i.e.*, $incompatible(u) = \{v \in P \setminus \{u\} : u \cap v \neq \emptyset\}$.

Example 1. Let us consider the instance (S, P) displayed in Fig. 1. A solution is: $E = \{v, x, z\}$. We have $cover(a) = \{t, u, v\}$, and $incompatible(x) = \{w, y\}$.

$$\begin{array}{llll}
 S = \{a, b, c, d, e, f, g\} & \text{with} & t = \{a, g\} & w = \{d, e, g\} & z = \{b, g\} \\
 P = \{t, u, v, w, x, y, z\} & & u = \{a, d, g\} & x = \{c, e, f\} & \\
 & & v = \{a, d\} & y = \{b, c, f\} &
 \end{array}$$

Figure 1: Example of an instance of EC.

The maximum cardinality of a subset in P is denoted n_p (i.e., $n_p = \max_{u \in P} \#u$), the maximal number of subsets that cover an element is denoted n_c (i.e., $n_c = \max_{a \in S} \#cover(a)$), and the maximal number of subsets that are not compatible with another subset is denoted n_i (i.e., $n_i = \max_{u \in P} \#incompatible(u)$).

Given a set $E \subseteq P$ of selected subsets which are all pairwise compatible, the set of elements that are not covered by a subset in E is denoted S_E , i.e.,

$$S_E = \{a \in S : cover(a) \cap E = \emptyset\}$$

the set of subsets in P that are compatible with every subset in E is denoted P_E , i.e.,

$$P_E = \{u \in P : \forall v \in E, u \cap v = \emptyset\}$$

and for every non covered element $a \in S_E$, the set of subsets that cover a and are compatible with every subset in E is denoted $cover_E(a)$, i.e.,

$$cover_E(a) = cover(a) \cap P_E.$$

Example 2. Let us consider the instance displayed in Fig. 1. If $E = \{x\}$ then $S_E = \{a, b, d, g\}$, $P_E = \{t, u, v, z\}$ and $cover_E(g) = \{t, u, z\}$.

3.2 Applications

A classical example of application of EC is the problem that aims at tiling a rectangle figure composed of equal squares with a set of polyominoes: the set S contains an element for each square of the rectangle to tile; each subset of P corresponds to the set of squares that are covered when placing a polyomino on the rectangle (for every possible position of a polyomino on the rectangle); the goal is to select a set of polyomino positions such that each square is covered exactly once (see Knuth 2000 for more details).

Another example of application is the instruction selection problem, that occurs when compiling a source code to generate an executable code: the set S corresponds to the instructions of the source code; each subset of P corresponds to a set of source code instructions that are covered when selecting a processor instruction; the goal is to select a set of processor instructions such that each source code instruction is covered exactly once (see Floch, Wolinski, and Kuchcinski 2010 and Hjort Blindell 2018 for more details).

Our interest for this problem comes from a conceptual clustering application which is described in Section 6.1. Other applications are described, for example, by Juntila and Kaski (2010).

If we add an objective function to the EC in order to minimize the sum of the weights of the selected subsets, we obtain the set partitioning problem. This problem occurs as

Algorithm 1: Algorithm X(S, P, E)

Input: An instance (S, P) of EC and a set $E \subseteq P$ of selected subsets
Precondition : Subsets in E are all pairwise compatible, *i.e.*, $\forall \{u, v\} \subseteq E, u \cap v = \emptyset$
Postcondition: Output every exact cover E' of (S, P) such that $E \subseteq E'$

```

1 begin
2   if  $S_E = \emptyset$  then Output  $E$ ;
3   else
4     if  $\forall a \in S_E, cover_E(a) \neq \emptyset$  then
5       Choose an element  $a \in S_E$ 
6       for each subset  $u \in cover_E(a)$  do X( $S, P, E \cup \{u\}$ ) ;

```

subproblem in many industrial problems such as, for example, crew scheduling problems (Mingozi, Boschetti, Ricciardelli, & Bianco, 1999; Barnhart, Cohn, Johnson, Klabjan, Nemhauser, & Vance, 2003).

3.3 Dedicated Algorithm DLX

Knuth (2000) has introduced an algorithm called X to recursively enumerate all solutions of an instance (S, P) of EC. This algorithm is displayed in Algorithm 1 and has three input parameters: the sets S and P that define the instance of EC to solve, and a partial cover $E \subseteq P$ that contains the subsets that have already been selected in the solution (for the first call to X, we have $E = \emptyset$). If the set S_E of non covered elements is empty, then E is a solution and the algorithm outputs it (line 2). If there is an element $a \in S_E$ such that $cover_E(a) = \emptyset$, then a cannot be covered by any subset compatible with E and the search must backtrack. Otherwise, we choose a non-covered element $a \in S_E$ (line 5) and, for each subset $u \in cover_E(a)$, we recursively try to add u to the partial solution (line 6).

A first key point for an efficient enumeration process is to use an ordering heuristic to choose the next element a (line 5). Knuth shows that this ordering heuristic has a great impact on performance, and that much better results are obtained by selecting an element $a \in S_E$ for which the number of subsets compatible with E is minimal. Hence, the ordering heuristic used at line 5 chooses an element $a \in S_E$ such that $\#cover_E(a)$ is minimal.

A second key point is to incrementally maintain S_E and $cover_E(a)$ for each element $a \in S_E$. To this aim, Knuth introduces *Dancing Links* and the implementation of Algorithm X with Dancing Links is called DLX. As illustrated in Figure 2, the idea is to use doubly linked circular lists to represent the sparse matrix that links elements and subsets. Each cell γ in this matrix has five fields denoted $\gamma.head$, $\gamma.left$, $\gamma.right$, $\gamma.up$, and $\gamma.down$, respectively.

For each subset $u \in P$, the matrix has a row which contains a cell γ_{ua} for each element $a \in u$. This row is a doubly linked circular list, and we can iterate over all elements in u , starting from any cell in the row, by using *left* fields until returning back to the initial cell. If we use *right* fields instead of *left* fields, we also iterate over all elements in u , but we visit them in reverse order.

Besides these $\#P$ rows, there is an extra row in the matrix, which is the first row and which contains a cell h_a for each non covered element $a \in S_E$. This cell is called the *header*

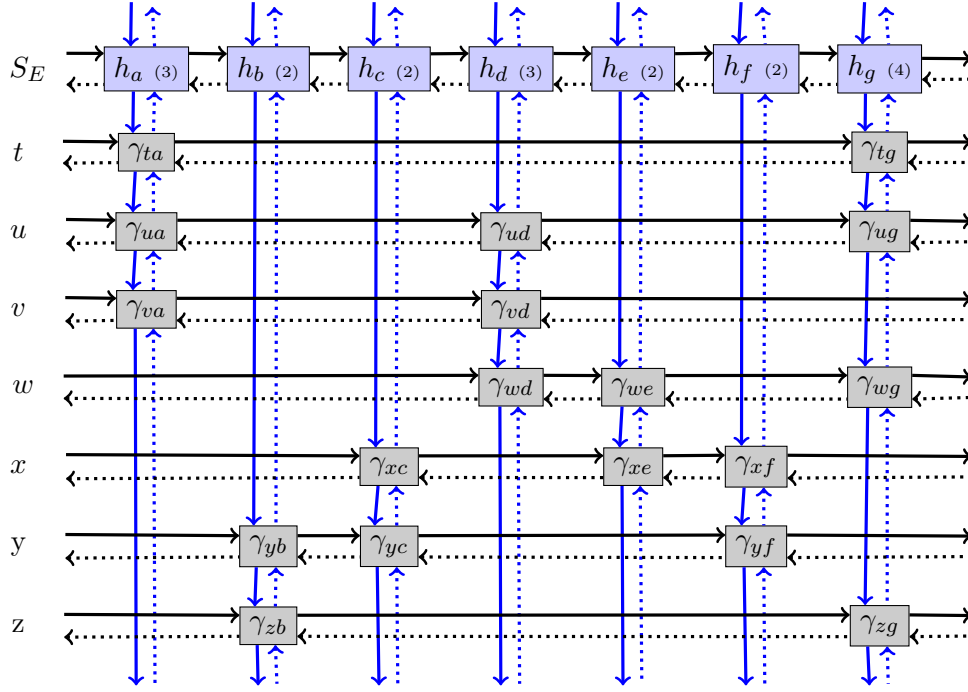


Figure 2: Representation of the EC instance of Fig. 1 with Dancing Links when $E = \emptyset$. *right* (resp. *left*, *up*, and *down*) fields are represented by plain black (resp. dotted black, dotted blue, and plain blue) edges. Header cells are colored in blue, and their *size* fields are displayed in brackets. *head* fields are not displayed: the *head* field of each gray cell contains a pointer to the blue cell in the same column.

and it has an extra field, called *size*, which is equal to the cardinality of $cover_E(a)$. Like the other rows, the first row is a doubly linked circular list and we can iterate over all elements in S_E by using *left* or *right* fields.

Each column of the matrix corresponds to an element $a \in S_E$ and is composed of $\#cover_E(a) + 1$ cells: the header h_a plus one cell γ_{ua} for each subset $u \in cover_E(a)$. Each cell γ_{ua} in the column can access to its header thanks to the *head* field (*i.e.*, $\gamma_{ua}.head = h_a$). This column is a doubly linked circular list, and we can iterate over all subsets in $cover_E(a)$, starting from the header h_a , by using *down* fields until returning to h_a . If we use *up* fields, we also iterate over all subsets in $cover_E(a)$, but we visit them in reverse order.

A first advantage of using doubly linked circular lists is that a cell may be removed or restored (when backtracking) very easily. More precisely, to remove a cell γ from a column, we execute: $\gamma.down.up \leftarrow \gamma.up; \gamma.up.down \leftarrow \gamma.down$. To restore γ , we execute: $\gamma.down.up \leftarrow \gamma; \gamma.up.down \leftarrow \gamma$. Similarly, to remove γ from a row, we execute: $\gamma.right.left \leftarrow \gamma.left; \gamma.left.right \leftarrow \gamma.right$. And to restore γ , we execute: $\gamma.right.left \leftarrow \gamma; \gamma.left.right \leftarrow \gamma$.

Algorithm 2: removeCells(u)	Algorithm 3: restoreCells(u)
<pre> 1 for each $a \in u$ do 2 $h_a \leftarrow \text{getHeader}(a)$ 3 $h_a.\text{left.right} \leftarrow h_a.\text{right}$ 4 $h_a.\text{right.left} \leftarrow h_a.\text{left}$ 5 $\gamma_{va} \leftarrow h_a.\text{down}$ 6 while $\gamma_{va} \neq h_a$ do 7 $\gamma_{vb} \leftarrow \gamma_{va}.\text{right}$ 8 while $\gamma_{vb} \neq \gamma_{va}$ do 9 $\gamma_{vb}.\text{down.up} \leftarrow \gamma_{vb}.\text{up}$ 10 $\gamma_{vb}.\text{up.down} \leftarrow \gamma_{vb}.\text{down}$ 11 decrement $\gamma_{vb}.\text{head.size}$ 12 $\gamma_{vb} \leftarrow \gamma_{vb}.\text{right}$ 13 $\gamma_{va} \leftarrow \gamma_{va}.\text{down}$ </pre>	<pre> 1 for each $a \in u$ (<i>in reverse order</i>) do 2 $h_a \leftarrow \text{getHeader}(a)$ 3 $h_a.\text{left.right} \leftarrow h_a$ 4 $h_a.\text{right.left} \leftarrow h_a$ 5 $\gamma_{va} \leftarrow h_a.\text{up}$ 6 while $\gamma_{va} \neq h_a$ do 7 $\gamma_{vb} \leftarrow \gamma_{va}.\text{left}$ 8 while $\gamma_{vb} \neq \gamma_{va}$ do 9 $\gamma_{vb}.\text{down.up} \leftarrow \gamma_{vb}$ 10 $\gamma_{vb}.\text{up.down} \leftarrow \gamma_{vb}$ 11 increment $\gamma_{vb}.\text{head.size}$ 12 $\gamma_{vb} \leftarrow \gamma_{vb}.\text{left}$ 13 $\gamma_{va} \leftarrow \gamma_{va}.\text{up}$ </pre>

A second advantage of using doubly linked lists is that they can be traversed in two directions: This way we can undo a sequence of cell removals by executing the inverse sequence of cell restorations.

Algorithms 2 and 3 describe how to update the matrix with Dancing Links:

- Algorithm 2 is called just before the recursive call (line 6 of Algorithm 1) to remove cells which are incompatible with the selected subset u . For each element $a \in u$, it removes the header h_a of the column associated with a (lines 3-4). Then, it iterates over all subsets $v \in \text{cover}_E(a)$ by traversing the column list associated with a , starting from its header and using *down* fields (lines 6-13). Each cell γ_{va} in this column corresponds to a subset $v \in \text{cover}_E(a)$ which is incompatible with u (since a is already covered by u). Hence, for each element $b \in v$, subset v must be removed from $\text{cover}_E(b)$. To this aim, the row list associated with v is traversed (starting from γ_{va} and using *right* fields) and, for each element $b \in v$, cell γ_{vb} is removed from its column list (lines 9-10). Each time a cell γ_{vb} is removed, $\gamma_{vb}.\text{head.size}$ is decremented (line 11) to ensure that this field is equal to $\#\text{cover}_E(b)$.
- Algorithm 3 is called just after the recursive call (line 6 of Algorithm 1) to restore the cells removed by Algorithm 2. It performs the same list traversals but in reverse order and restores cells instead of removing them: The elements in u are visited in reverse order, the column list associated with each element a in u is traversed using *up* fields instead of *down* fields and row lists are traversed using *left* fields instead of *right* fields.

Example 3. Let us consider the EC instance displayed in Figure 1, and let us assume that Algorithm 1 first chooses element c (line 5) and recursively calls DLX with $E = \{x\}$. Before this recursive call, Algorithm 2 iterates on elements in $x = \{c, e, f\}$:

- For element c , it removes cell h_c from the first row and then successively removes cells γ_{xe} , γ_{xf} from their columns (to remove subset x), and cells γ_{yf} and γ_{yb} from their columns (to remove subset y).

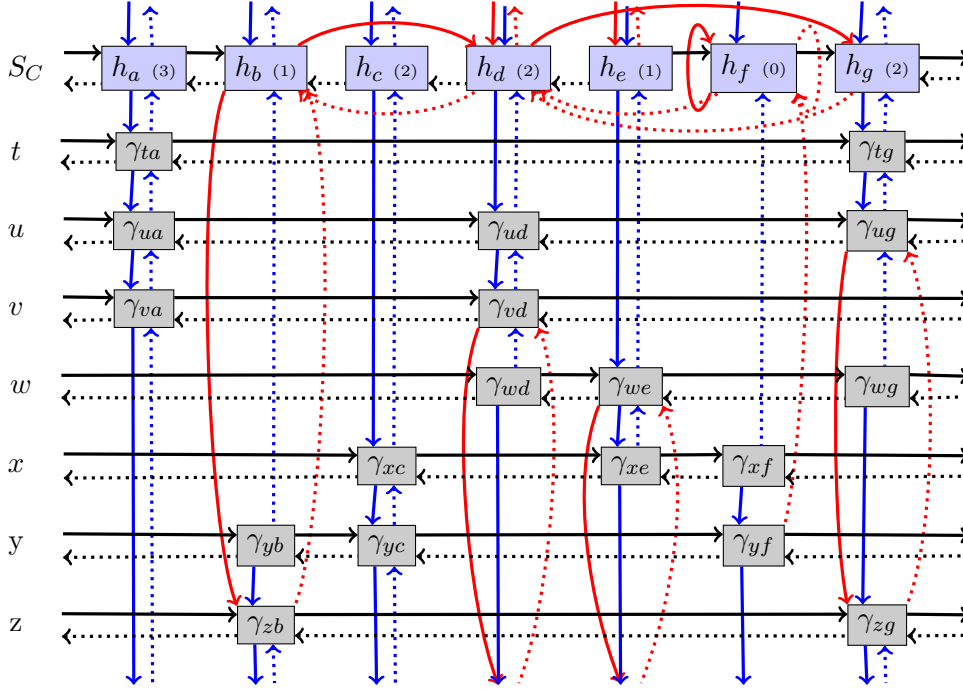


Figure 3: Representation of the instance of Fig. 1 with Dancing Links when $E = \{x\}$. Links that have been modified are displayed in red.

- For element e , it removes cell h_e from the first row and then successively removes cells γ_{wg} and γ_{wd} from their columns (to remove subset w).
- For element f , it removes the cell h_f from the headers.

The *size* fields of the headers of the columns in which cells have been removed are updated consequently. The resulting matrix is displayed in Figure 3.

After the recursive call to DLX, Algorithm 3 iterates on elements in x in reverse order. For element f , it restores cell h_f in the first row. For element e , it restores cell h_e in the first row and then successively restores cells γ_{wd} and γ_{wg} in their columns. For element c , it restores cell h_c in the first row and then successively restores cells γ_{yb} , γ_{yf} , and γ_{xf} and γ_{xe} in their columns.

Property 1. The time complexity of Algorithms 2 and 3 is $\mathcal{O}(n_p \cdot n_i)$.

Proof. Let us first study the time complexity of Algorithm 2. The loop lines 1-13 iterates on every element $a \in u$ and the loop lines 6-13 iterates on every cell γ_{va} such that $v \in \text{cover}_E(a)$. If there is a subset v such that $u \cap v$ contains more than one element, then the cells of the row associated with v are only considered once because they are removed when treating the first element common to u and v (for example, in Fig. 3, both c and f belong to x and y but the row associated with y is traversed only once when treating c). Hence, the number of considered cells γ_{va} is equal to the cardinality of $\cup_{a \in u} \text{cover}_E(a)$. As

$\cup_{a \in u} \text{cover}_E(a) \subseteq \cup_{a \in u} \text{cover}(a) = \{u\} \cup \text{incompatible}(u)$, the number of considered cells γ_{va} is upper bounded by $n_i + 1$. Finally, as the loop lines 8-12 is executed $\#v$ times for each cell γ_{va} and $\#v \leq n_p$, the time complexity of Algorithm 2 is $\mathcal{O}(n_p \cdot n_i)$.

Algorithm 3 has the same time complexity as Algorithm 2 because it performs the same operations in reverse order.

This time complexity is an upper bound of the number of cell removals because the cardinality of $\text{cover}_E(a)$ usually decreases when adding subsets to E . In other words, if a cell is removed at some node of the search tree, then it will not be considered in deeper nodes in the same branch of the search tree. Hence, if we consider a whole branch of the search tree explored by Algorithm 2, lines 9-12 are performed at most once per cell in the initial matrix, *i.e.*, $\mathcal{O}(\sum_{u \in P} \#u)$ times

We refer the reader to Knuth (2000) for more details on DLX. An open source implementation of DLX in C, called `libexact`, is described by Kaski and Potttonen (2008).

3.4 Existing Declarative Exact Approaches

CP Models. Different CP models have been proposed for solving EC. In particular, a model that uses Boolean variables is described by Hjort Blindell (2018); a model that uses a global cardinality constraint (*gcc*) is described by Floch, Wolinski, and Kuchcinski (2010), and a model that uses set variables is described by Chabert and Solnon (2017). These three models are experimentally compared by Chabert (2018), and these experiments show us that they have rather similar performance. In this paper, we only describe the Boolean model of Hjort Blindell (2018) (denoted *BoolDec*), and we refer the reader to Chabert (2018) for more details on the other models.

BoolDec uses two different kinds of variables:

- For each element $a \in S$, an integer variable coveredBy_a is used to decide which subset of P covers a , and its domain is $D(\text{coveredBy}_a) = \text{cover}(a)$;
- For each subset $u \in P$, a Boolean variable selected_u indicates if u is selected in the solution.

These variables are channeled by adding, for each subset $u \in P$ and each element $a \in u$, the constraint C_{ua} defined by: $C_{ua} \equiv (\text{coveredBy}_a = u) \Leftrightarrow (\text{selected}_u = \text{true})$.

Property 2. Enforcing AC on *BoolDec* ensures the following property for each subset $u \in P$ such that $D(\text{selected}_u) = \{\text{true}\}$:

$$\forall v \in \text{incompatible}(u), \text{true} \notin D(\text{selected}_v) \wedge \forall a \in v, v \notin D(\text{coveredBy}_a).$$

In other words, every subset v incompatible with u cannot be selected and is removed from the domains of *coveredBy* variables.

Proof. If $D(\text{selected}_u) = \{\text{true}\}$ then, for each element $b \in u$, the propagation of C_{ub} removes all values but u from $D(\text{coveredBy}_b)$. Then, for each subset $v \in \text{incompatible}(u)$, there exists at least one element $c \in v \cap u$ such that the propagation of C_{vc} removes *true* from $D(\text{selected}_v)$ (because $D(\text{coveredBy}_c) = \{u\}$). Finally, for each subset $v \in \text{incompatible}(u)$ and each element $a \in v$, the propagation of C_{va} removes v from $D(\text{coveredBy}_a)$ (because $\text{true} \notin D(\text{selected}_v)$).

ILP Models. Ouali et al. (2016) describe an ILP model for solving an exact cover problem which occurs in a conceptual clustering application. This ILP model associates a binary variable x_u with every subset $u \in P$, such that $x_u = 1$ iff u is selected. The set of selected subsets is constrained to define a partition of S by posting the constraint: $\forall a \in S, \sum_{u \in \text{cover}(a)} x_u = 1$.

ILP has also been widely used to solve the set partitioning problem, the goal of which is to find an EC that minimizes the sum of the weights of the selected subsets (Rasmussen, 2011). In particular, Rnnberg and Larsson (2014) and Zaghrouti, Soumis, and Hallaoui (2014) show how to exploit the quasi-integrality property which implies that all integer extreme points can be reached by making simplex pivots between integer extreme points. In this case, the challenge is to find an efficient way to quickly reach an optimal integer solution. Zaghrouti et al. (2014) use a direction-finding subproblem whereas Rnnberg and Larsson (2014) use an all-integer column generation strategy. Both approaches are dedicated to the set partitioning problem, and they are very efficient at solving this problem (up to 500000 subsets for the approach of Zaghrouti et al., for example). However, they cannot be easily extended to the case where the goal is to maximize the minimal weight of a selected subset (which is the case of our conceptual clustering application).

Babaki, Guns, and Nijssen (2014) consider a clustering problem which aims at partitioning a set of objects into subsets so that the sum of squared distances between objects within a same subset is minimized. This problem may be formulated as a set partitioning problem with additional constraints and, as the number of subsets is exponential, they use column generation to solve it. Again, this approach assumes that the objective function is a weighted sum and it cannot be easily extended to objective functions that aim at maximizing a minimal weight.

SAT Models. SAT encodings for the exact cover problem are introduced by Junttila and Kaski (2010). Given an instance (S, P) of EC, these models associate a Boolean variable x_u with every subset $u \in P$, such that x_u is assigned to true iff subset u is selected in the exact cover. The conjonctive normal form (CNF) formula associated with (S, P) is

$$\bigwedge_{a \in S} \text{exactly-one}(\{x_u : u \in \text{cover}(a)\})$$

where $\text{exactly-one}(X)$ is a CNF formula which is satisfied iff exactly one variable in X is assigned to true. Junttila and Kaski describe three different encodings for $\text{exactly-one}(X)$. The first encoding is straightforward and is defined by:

$$\text{exactly-one}(X) = \left(\bigvee_{x_u \in X} x_u \right) \wedge \left(\bigwedge_{\{x_u, x_v\} \subseteq X} (\neg x_u \vee \neg x_v) \right)$$

The two other encodings are less straightforward and use auxiliary variables to reduce the number of clauses in the encoding.

Theorem 1 of Junttila and Kaski (2010) states that if the size of the search tree explored by DLX for solving an instance (S, P) is equal to k , then the CNF formula associated with (S, P) (for any of the three SAT encodings) has, subject to an idealized variable selection heuristic, a DPLL search tree of size at most $2k$ (where DPLL is the Davis-Putnam-Logemann-Loveland algorithm without clause learning). A consequence of this theorem

is that modern SAT solvers (that use clause learning and restarts) may explore smaller search trees than DLX. To experimentally evaluate this, several state-of-the-art SAT solvers, especially #SAT solvers, have been compared for enumerating all solutions of EC instances, for the three encodings. These experiments show that the `clasp` solver (Gebser, Kaufmann, & Schaub, 2012) has the best run time behavior among the DPLL-based approaches tested by Junttila and Kaski (2010), and is also very insensitive to the applied exactly-one encoding scheme. SAT solvers have also been compared with `libexact`, the C implementation of DLX (Kaski & Potttonen, 2008), showing that SAT solvers actually explore smaller search spaces but do not perform that well in terms of running time: If SAT solvers are faster on some easy instances, they are often outperformed by `libexact` on harder instances.

4. Propagation of *exactCover*

In this section, we introduce a global constraint, called *exactCover*, for modelling EC, and three filtering algorithms for propagating it.

Definition 2. Let (S, P) be an instance of EC and, for each subset $u \in P$, let $selected_u$ be a Boolean variable. The global constraint $exactCover_{S,P}(selected)$ is satisfied iff the set of *selected* variables assigned to *true* corresponds to an exact cover of S , *i.e.*,

$$\forall a \in S, \quad \sum_{u \in cover(a)} selected_u = 1$$

assuming that *true* is encoded by 1 and *false* by 0.

Notations. To simplify the description of the propagators associated with *exactCover*, we denote E the set of subsets associated with *selected* variables which are assigned to *true* (*i.e.*, $E = \{u \in P : D(selected_u) = \{true\}\}$), and we use notations introduced in Section 3.1: S_E denotes the set of elements that are not covered by a subset in E , P_E denotes the set of subsets in P that are compatible with every subset in E and, for each $a \in S_E$, $cover_E(a)$ denotes the set of subsets in $cover(a)$ that are compatible with every subset in E .

4.1 Basic Propagator

Let us first introduce a basic propagator which ensures the same level of filtering as AC on *BoolDec* without using any specific data structure. This propagator called *Basic* is used as a baseline to evaluate the interest of using Dancing Links.

For each subset $u \in P$, we compute the set $incompatible(u)$ of all subsets of P that are not compatible with u . These incompatibility sets are computed before starting the search process in $\mathcal{O}(\#P^2 \cdot n_p)$. They are used to propagate the assignment of a variable $selected_u$ to *true* by removing *true* from the domain of every subset v which is incompatible with u , as described in Algo. 4.

Also, to ensure that each element $a \in S_E$ can be covered by at least one subset compatible with the selected subsets, we incrementally maintain the cardinality of $cover_E(a)$ (without explicitly maintaining $cover_E(a)$) in a counter denoted $count_a$. At the beginning of the search, $count_a$ is initialized to $\#cover(a)$. Then, each time a variable $selected_v$ is assigned to *false*, we decrement $count_a$ for each element $a \in v$, and we trigger a failure

Algorithm 4: propagate($selected_u=true$)

```

1 for each  $v \in incompatible(u)$  do
2   if  $true \in D(selected_v)$  then
3     remove  $true$  from  $D(selected_v)$ 
4     propagate( $selected_v=false$ )

```

Algorithm 5: propagate($selected_v=false$)

```

1 for each  $a \in v$  do
2   decrement  $count_a$ 
3   if  $count_a = 0$  then trigger failure;

```

if $count_a = 0$, as described in Algo. 5. When backtracking, we restore counter values by performing the inverse operations.

Property 3. The *Basic* propagation algorithm ensures the following properties:

$$\forall u \in P, D(selected_u) = \{true\} \Rightarrow \forall v \in incompatible(u), true \notin D(selected_v) \quad (1)$$

$$\forall a \in S_E, count_a = \#cover_E(a) \quad (2)$$

Proof. (1) is ensured by Algo. 4, and (2) is ensured by Algo. 5.

This filtering is equivalent to enforcing AC on *BoolDec*, and in both cases a failure is triggered whenever there exists an element which cannot be covered:

- Enforcing AC on *BoolDec* removes from the domains of *coveredBy* variables the subsets that are incompatible with any selected subset u (Property 2), and a failure is triggered whenever the domain of a *coveredBy* variable becomes empty;
- The *Basic* propagator triggers a failure whenever $count_a = \#cover_E(a) = 0$.

Property 4. The time complexity of the *Basic* propagator (Algo. 4) is $\mathcal{O}(n_p \cdot n_i)$.

Proof. The loop of Algo. 4 is executed $\#incompatible(u)$ times, with $\#incompatible(u) \leq n_i$, and in the worst case (if every $v \in incompatible(u)$ is compatible with all subsets in E), for each $v \in incompatible(u)$ the loop of Algo. 5 is executed $\#v$ times with $\#v \leq n_p$.

4.2 DL Propagator

In the *Basic* propagator, incompatibility lists are not incrementally maintained during the search: When *true* is removed from the domain of a variable $selected_v$, the subset v is not removed from incompatibility lists. Therefore, Algo. 4 iterates on every subset v in $incompatible(u)$ even if $D(selected_v) = \{false\}$.

We propose a new propagator called *DL* that incrementally maintains $cover_E(a)$ for each element a , so that we only consider subsets that can be selected when propagating the assignment of a variable $selected_u$ to *true*. To implement this efficiently, we use the *Dancing Links* described in Section 3.3.

More precisely, Algo. 2 is called each time a variable $selected_u$ is assigned to true, and it is modified as follows:

- After line 7, if $u \neq v$, we remove *true* from the domain of $selected_v$, where v is the subset associated with the row of cell γ_{vb} ;
- After line 11, if $\gamma_{vb}.head.size = 0$, we trigger a failure.

When backtracking from the assignment of $selected_u$ to true, we call Algorithm 3.

Property 5. *Basic* and *DL* ensure the same level of consistency.

Proof. This is a direct consequence of the fact that Algo. 2 (modified as explained above) removes *true* from the domain of every subset which is incompatible with a selected subset. Also, for each element $a \in S_E$, it maintains in $h_a.size$ the value of $\#cover_E(a)$ and it triggers a failure whenever $h_a.size$ becomes equal to 0.

Property 6. The time complexity of the *DL* propagation is $\mathcal{O}(n_p \cdot n_i)$.

Proof. The propagation algorithm has the same complexity as Algo. 2, *i.e.*, $\mathcal{O}(n_p \cdot n_i)$ (see Property 1).

Comparison of *Basic* and *DL*. The propagation of the assignment of $selected_u$ to *true* by *DL* and *Basic* is very similar when $E \cap incompatible(u) = \emptyset$: Both propagators iterate on every subset $v \in incompatible(u)$, and for every element $b \in v$, they decrement a counter (corresponding to $\#cover_E(b)$). However, when $E \cap incompatible(u) \neq \emptyset$, the two propagators behave differently: *Basic* still iterates on every subset $v \in incompatible(u)$ whereas *DL* only iterates on every subset $v \in \cup_{a \in u} cover_E(a)$ (*i.e.*, every subset $v \in incompatible(u)$ such that v is compatible with all subsets in E). As a counterpart, *DL* performs more operations than *Basic* on each element $b \in v$ such that $v \in \cup_{a \in u} cover_E(a)$: *Basic* only decrements a counter whereas *DL* not only decrements a counter but also removes cell γ_{vb} in order to update $cover_E(b)$.

These two propagators are experimentally compared in Section 4.4.

4.3 *DL+* Propagator

In this section, we introduce a stronger propagator, that combines *DL* with an extra-filtering used by Davies and Bacchus (2011) for solving a hitting set problem. This extra-filtering exploits the following property.

Property 7. Let (S, P) be an EC instance, and $E \subseteq P$ a set of selected subsets that are all pairwise compatible. For each couple of elements $(a, b) \in S_E \times S_E$, we have:

$$cover_E(a) \subset cover_E(b) \Rightarrow \forall u \in cover_E(b) \setminus cover_E(a), cover_{\{u\} \cup E}(a) = \emptyset$$

Proof. Let a and b be two elements such that $cover_E(a) \subset cover_E(b)$, and let u be a subset that covers b but not a , *i.e.*, $u \in cover_E(b) \setminus cover_E(a)$. Every subset $v \in cover_E(a)$ is incompatible with u (because $b \in u \cap v$), and must be removed from $cover_E(a)$ if we add u to E . Therefore, $cover_{\{u\} \cup E}(a) = \emptyset$.

We propose a new propagator called *DL+* that exploits this property: This propagator performs the same filtering as *DL* (as described in Section 4.2), but further filters domains by removing *true* from $D(selected_u)$ for each subset u such that:

$$\exists (a, b) \in S_E \times S_E, cover_E(a) \subset cover_E(b) \wedge u \in cover_E(b) \setminus cover_E(a)$$

A key point is to efficiently detect $cover_E$ inclusions. To this aim, we exploit the following property:

$$cover_E(a) \subseteq cover_E(b) \Leftrightarrow \#(cover_E(a) \cap cover_E(b)) = \#cover_E(a).$$

Hence, for each pair of uncovered elements $\{a, b\} \subseteq S_E$, we maintain a counter, denoted $count_{a \wedge b}$, that gives the number of subsets that both belong to $cover_E(a)$ and $cover_E(b)$, *i.e.*,

$$count_{a \wedge b} = \#(cover_E(a) \cap cover_E(b))$$

These counters are initialized in $\mathcal{O}(n_p^2 \cdot \#P)$. To incrementally maintain them during the search, we modify Algorithm 2 by calling a procedure before line 13: This procedure decrements $count_{b \wedge c}$ for every pair of elements $\{b, c\} \subseteq v$, where v is the subset associated with cell γ_{va} . Indeed, as v has been removed from both $cover_E(b)$ and $cover_E(c)$, it must also be removed from the intersection of these two sets.

Then, at the end of Algorithm 2 (after the loop lines 1-13), for every pair of elements $\{a, b\} \subseteq S_E$ such that $count_{a \wedge b} = h_a.size$, and for every subset $v \in cover_E(b) \setminus cover_E(a)$, we remove *true* from $D(selected_v)$.

We modify similarly Algorithm 3 to restore $count_{a \wedge b}$ counters when backtracking.

Property 8. *DL+* is stronger than *DL*.

Proof. *DL+* is at least as strong as *DL* since *DL* is also applied by *DL+*. Moreover, the instance displayed in Fig. 3 shows us that *DL+* may filter more values than *DL*: For example, when $E = \{x\}$, at the end of Algorithm 2, we have $count_{a \wedge d} = h_d.size = 2$ and, therefore, $selected_t$ is assigned to *false* by *DL+* (and not by *DL*).

Property 9. The time complexity of *DL+* is $\mathcal{O}(n_p^2 \cdot n_i + \#S^2 \cdot n_c)$.

Proof. The complexity of the procedure called before line 13 to decrement $count_{b \wedge c}$ for every pair of elements $\{b, c\} \subseteq v$ is $\mathcal{O}(n_p^2)$ because $\#v \leq n_p$. As the number of times lines 7-13 of Algorithm 2 are executed is upper bounded by $n_i + 1$, the time complexity of lines 1-13 becomes $\mathcal{O}(n_p^2 \cdot n_i)$. The procedure executed at the end of Algorithm 2 to remove *true* from $D(selected_v)$ for each subset v such that there exist two element $a, b \in S_E$ with $count_{a \wedge b} = h_a.size$ and $v \in cover_E(b) \setminus cover_E(a)$ is done in $\mathcal{O}(\#S^2 \cdot n_c)$ as $\#S_E \leq \#S$ and $\#(cover_E(b) \setminus cover_E(a)) \leq n_c$.

4.4 Experimental Comparison

We have implemented our three propagators in Choco 4 (Prud'homme, Fages, & Lorca, 2016), and we denote EC_{Basic} (resp. EC_{DL} and EC_{DL+}) the Choco implementation of *exactCover* with the *Basic* (resp. *DL* and *DL+*) propagator.

To evaluate scale-up properties of these propagators and compare them with existing approaches, we consider the problem of enumerating all solutions of EC instances built from a same initial instance, called ERP1, which has $\#S = 50$ elements and $\#P = 1580$ subsets (this instance is described in Section 6.3). As ERP1 has a huge number of solutions, we consider instances obtained from it by selecting $p\%$ of its subsets in P , with $p \in \{20, 25, 30, 35, 40\}$. For each value of p , we have randomly generated ten instances and we report average results on these ten instances.

All experiments have been done on an Intel(R) Core(TM) i7-6700 and 65GB of RAM.

p	#sol	n_p	n_c	n_i	Choice points		CPU time (in seconds)					
					<i>BoolDec</i>	<i>EC_{DL+}</i>	<i>BoolDec</i>	<i>EC_{Basic}</i>	<i>EC_{DL}</i>	<i>EC_{DL+}</i>	<i>libexact</i>	<i>SAT</i>
20	$7 \cdot 10^3$	35	130	294	$54 \cdot 10^3$	$16 \cdot 10^3$	4	1	1	0	0	2
25	$3 \cdot 10^5$	35	162	367	$14 \cdot 10^5$	$6 \cdot 10^5$	100	9	7	4	2	59
30	$5 \cdot 10^6$	36	191	445	$20 \cdot 10^6$	$11 \cdot 10^6$	1,664	122	82	51	18	1,360
35	$5 \cdot 10^7$	38	223	524	$19 \cdot 10^7$	$11 \cdot 10^7$	24,082	1,178	732	461	143	14,507
40	$5 \cdot 10^8$	39	254	602	$16 \cdot 10^8$	$10 \cdot 10^8$	-	10,168	5,501	4,036	1,315	-

Table 1: Comparison of *BoolDec*, *EC_{Basic}*, *EC_{DL}*, *EC_{DL+}*, *libexact*, and *SAT* for enumerating all solutions. For each percentage p of selected subsets in ERP1, we display: the number of solutions (#sol), the maximum size of a subset (n_p), the maximum number of subsets that cover an element (n_c), the maximum number of subsets that are incompatible with a subset (n_i), the number of choice points of *BoolDec* and *EC_{DL+}*, and the CPU time of *BoolDec*, *EC_{Basic}*, *EC_{DL}*, *EC_{DL+}*, *libexact*, and *SAT* (average values on ten instances per line). We report '-' when time exceeds 50,000 seconds.

Comparison of *BoolDec*, *EC_{Basic}*, *EC_{DL}*, and *EC_{DL+}*. Let us first compare our three propagators with the Boolean decomposition *BoolDec* described in Section 3.4. We have considered the same search strategy for all models, which corresponds to the ordering heuristic introduced in Knuth (2000):

- For *BoolDec*, this is done by branching on *coveredBy* variables and using the *minDom* heuristic to select the next *coveredBy* variable to assign (as maintaining AC ensures that $D(\text{coveredBy}[a]) = \text{cover}_E(a)$);
- For *EC_{Basic}*, *EC_{DL}*, and *EC_{DL+}*, at each node of the search tree, we search for an element $a \in S_E$ such that $\#\text{cover}_E(a) = h_a.\text{size}$ is minimal, and we create a branch for each subset $u \in \text{cover}_E(a)$ where the variable *selected_u* is assigned to *true*.

In all cases, we break ties by fixing an order on elements and subsets, and we consider the same order in all implementations.

Table 1 displays the number of choice points performed by *BoolDec* to enumerate all solutions. *EC_{Basic}* and *EC_{DL}* explore the same number of choice points as *BoolDec* since they achieve the same consistency and they consider the same ordering heuristics.

If *BoolDec*, *EC_{Basic}* and *EC_{DL}* explore the same number of choice points, Table 1 shows us that *EC_{DL}* is faster than *EC_{Basic}* which is faster than *BoolDec*. Also, when increasing p (*i.e.*, the number of subsets in P), the difference between *EC_{DL}* and *EC_{Basic}* increases: if they have very similar performance when $p = 20\%$, *EC_{DL}* is nearly twice as fast as *EC_{Basic}* when $p = 40\%$. Average values for the maximum size of incompatibility lists (n_i) are reported in Table 1, and we can see that n_i is very close to the number of subsets in P (when $p = 20\%$ (resp. 40%), $\#P = 316$ (resp. $\#P = 632$)). In other words, some subsets are incompatible with nearly all other subsets. As *EC_{Basic}* exhaustively traverses the incompatibility list of every selected subset u (even if some of these subsets are incompatible with previously selected subsets), it is less efficient than *EC_{DL}* (which only considers subsets that belong to $\cup_{a \in u} \text{cover}_E(a)$).

As expected, *EC_{DL+}* explores fewer choice points than *BoolDec*, *EC_{Basic}* and *EC_{DL}*. However, the gap decreases when p increases: The number of choice points explored by

BoolDec, EC_{Basic} and EC_{DL} is 3.4 times (resp. 2.3, 1.8, 1.7 and 1.6) as large as the number of choice points explored by EC_{DL+} when $p = 20$ (resp. $p = 25, 30, 35$, and 40). This comes from the fact that inclusions of $cover_E$ sets become less frequent when increasing the number of subsets in P . Even if the time complexity of $DL+$ is higher than the time complexity of DL , the reduction of the search space achieved by $DL+$ pays off. However, if EC_{DL+} is twice as fast as EC_{DL} for small instances, the gain becomes smaller when increasing p .

Experimental Comparison with SAT and libexact. In Table 1, we report results of SAT (using the `clasp` solver (Gebser et al., 2012) with the `ladder` encoding of Junttila and Kaski (2010) which obtains the best results), and the `libexact` (Kaski & Pottonen, 2008) implementation of the dedicated DLX algorithm (Knuth, 2000). `libexact` is always faster than EC_{DL+} : `libexact` is 3 times as fast as EC_{DL+} , and this ratio is rather constant when p increases. The gap between EC_{DL} and `libexact` is explained (1) by the difference of support languages (Java for EC_{DL} and C for `libexact`), and (2) by the cost of using a generic CP solver instead of a dedicated algorithm.

EC_{DL+} is faster than SAT , and the gap between the two approaches increases when increasing p , showing that EC_{DL+} has better scale-up properties than SAT : EC_{DL+} is 10 times as fast as SAT when $p = 20$ and 31 times as fast when $p = 35$. When $p = 40$, SAT is not able to enumerate all solutions within the CPU time limit of 50,000 seconds whereas EC_{DL+} needs 4,036 seconds on average.

5. Constraining the Number of Selected Subsets

In some applications, we may need to add constraints on the number of selected subsets. For example, in our conceptual clustering application, the number of selected subsets corresponds to the number of clusters and we may need to constrain this number to be equal to a given value. In this case, we constrain an integer variable k to be equal to the number of selected subsets. This may be done either by adding new constraints to $exactCover$ (as explained in Section 5.1), or by defining a new global constraint (as proposed in Section 5.2).

5.1 Addition of Existing Constraints to $exactCover$

In this section, we study how to add constraints to $exactCover_{S,P}(selected)$ in order to ensure that the number of selected subsets is equal to an integer variable k .

A first possibility is to add the constraint: $\sum_{u \in P} selected_u = k$. We denote $EC_{DL,sum}$ and $EC_{DL+,sum}$ the Choco implementations that combine this sum constraint with the propagation algorithms of $exactCover$ introduced in Sections 4.2 and 4.3, respectively.

Another possibility is to use the $NValues(X, n)$ global constraint (Pachet & Roy, 1999) which constrains the integer variable n to be equal to the number of different values assigned to variables in X . To combine $NValues$ with $exactCover$, we must introduce new variables such that the number of different values assigned to these variables corresponds to the number of selected subsets: For each element $a \in S$, we define an integer variable $coveredBy_a$ whose domain is $D(coveredBy_a) = cover(a)$ and we channel these variables with $selected$ variables like in the boolean model introduced in Section 3.4. In this case, the complete set

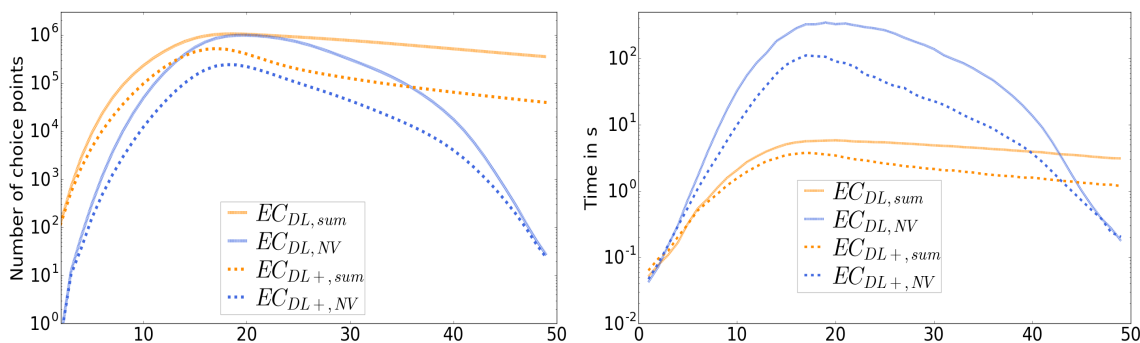


Figure 4: Comparison of the number of choice points (left) and time (right) of $EC_{DL,sum}$, $EC_{DL,NV}$, $EC_{DL+,sum}$, and $EC_{DL+,NV}$ for enumerating all solutions when k is assigned to x , with $x \in [2, 49]$ (average on 10 instances obtained from *ERP1* by randomly selecting 25% of its subsets).

of constraints is:

$$\forall u \in P, \forall a \in u, coveredBy_a = u \Leftrightarrow selected_u = true$$

$$NValues(coveredBy, k)$$

$$exactCovers_{S,P}(selected)$$

We denote $EC_{DL,NV}$ and $EC_{DL+,NV}$ the Choco implementations that combine these constraints with the propagation algorithms introduced in Sections 4.2 and 4.3, respectively. In Choco, *NValues* is decomposed into two constraints, *i.e.*, *atLeastNValues* and *atMostNValues*. In our experiments, we consider the strongest propagator for each of these two constraints: The propagator of *atLeastNValues* ensures AC and the propagator of *atMostNValues* is described by Fages and Lapègue (2014).

Experimental Evaluation. We consider the problem of enumerating all EC solutions when the number of selected subsets k is constrained to be equal to a given value. We consider 10 instances obtained from *ERP1* by selecting randomly 25% of the subsets in P (the same 10 instances as in Section 4.4 when $p = 25\%$). These instances have $\#S = 50$ elements and the number of subsets is close to 400. We vary the value assigned to k from 2 to $\#S - 1$. For each point (x, y) in Figure 4, y is the performance measure (time or number of choice points) for enumerating all solutions when k is assigned to x (*i.e.*, for enumerating all exact covers with exactly x selected subsets).

In Figure 4, we compare $EC_{DL,sum}$, $EC_{DL,NV}$, $EC_{DL+,sum}$, and $EC_{DL+,NV}$. The number of choice points is much smaller when using *NValues*, especially for extremal values of k . However, the propagation of *NValues* is much more time consuming than the propagation of a *sum* constraint. As a consequence, using *NValues* does not pay-off, except for very large values of k (*i.e.*, when $k > 40$) for which *NValues* reduces the number of choice points by several orders of magnitude. Using *DL+* instead of *DL* for propagating *exactCover* reduces the number of choice points, especially when k is larger than 10, and this stronger filtering also reduces the run time, except for very low values of k : When k is lower than 5, variants that use *DL* are slightly faster than variants that use *DL+*.

5.2 Definition of a New Global Constraint *exactCoverK*

As pointed out in the previous section, $EC_{DL+,NV}$ explores much fewer choice points than $EC_{DL+,sum}$, but this strong reduction of the search space pays off only for the largest values of k because the propagation of *NValues* is more time consuming than the propagation of a sum constraint. However, *NValues* is decomposed into two global constraints: *atLeastNValues*, for which AC is ensured in polynomial time, and *atMostNValues*, for which enforcing AC is an \mathcal{NP} -complete problem. Bessière et al. (2006) introduce a propagator for *atMostNValues* that exploits an intersection graph. This intersection graph may be easily derived from the counters maintained by *DL+* to detect $cover_E$ inclusions. Hence, we introduce in this section a new global constraint which better propagates constraints between k and *selected* variables by integrating a propagator designed for *atMostNValues*.

Definition 3. Let (S, P) be an instance of EC, k an integer variable and, for each subset $u \in P$, $selected_u$ a Boolean variable. The global constraint $exactCoverK_{S,P}(selected, k)$ is satisfied iff the number of *selected* variables assigned to *true* is equal to k and the subsets associated with these variables define an exact cover of S , *i.e.*,

$$\begin{aligned} \forall a \in S, \quad \sum_{u \in cover(a)} selected_u &= 1 \\ \sum_{u \in P} selected_u &= k \end{aligned}$$

In the next sections, we describe algorithms for updating upper and lower bounds of k , and filtering domains of *selected* variables when the domain of k is reduced to a singleton.

5.2.1 UPDATING THE UPPER BOUND OF k

A first simple filtering ensures that k is upper bounded by the number of selected subsets (*i.e.*, $\#E$) plus the number of subsets that are compatible with E (*i.e.*, $\#P_E$). We tighten this bound by taking into account the minimum number of elements that may be covered by one subset. More precisely, we need at most $\lfloor \frac{\#S_E}{\min_{u \in P} \#u} \rfloor$ subsets to cover all elements in S_E . Note that we round the result of the division to the largest integer value no greater than $\frac{\#S_E}{\min_{u \in P} \#u}$ as the number of elements must be an integer value. Therefore, k is upper bounded by $\#E + \min\{\#P_E, \lfloor \frac{\#S_E}{\min_{u \in P} \#u} \rfloor\}$. This upper bound is incrementally updated with a constant time complexity.

We have experimentally compared this upper bound with the upper bound computed by propagating the global constraint $atLeastNValues(coveredBy, k)$, and noticed that the propagation of *atLeastNValues* does not pay off because it is much more time consuming and it nearly never reduces the number of choice points.

5.2.2 UPDATING THE LOWER BOUND OF k

Given the set $E \subseteq P$ of subsets that have already been selected, k is lower bounded by $\#E$ plus the minimum number of subsets in P_E needed to cover all elements in S_E . In this section, we show how to compute a lower bound of this minimum number of subsets by exploiting an algorithm introduced by Bessière et al. (2006) for propagating the global

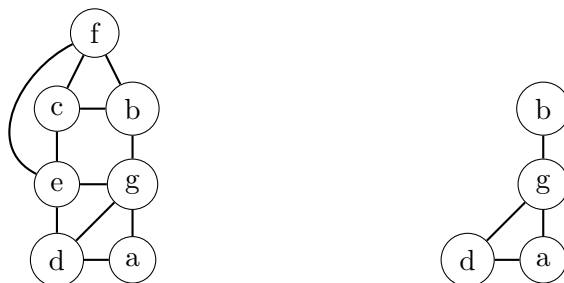


Figure 5: Intersection graphs associated with the instance displayed in Fig. 1 when $E = \emptyset$ (left) and when $E = \{x\}$ (right).

constraint *atMostNValues*. This algorithm exploits independent sets and independence numbers: An independent set of a graph $G = (V, E)$ is a set of vertices $S \subseteq V$ with no edge in common, *i.e.*, $\forall i, j \in S, (i, j) \notin E$, and the independence number of a graph is the maximal cardinality of its independent sets.

Bessièrè et al. (2006) show that the minimum number of distinct values of a set X of variables is lower bounded by the independence number of the intersection graph which has a vertex v_i for each variable $x_i \in X$ and an edge between two vertices v_i and v_j iff $D(x_i) \cap D(x_j) \neq \emptyset$. Indeed, the domains of all vertices in a same independent set have empty intersections, and therefore the corresponding variables must be assigned to different values. As a consequence, the independence number of the intersection graph is a lower bound of the minimum number of distinct values of X .

The interest of exploiting this property during the propagation of *exactCoverK* (instead of combining *exactCover* with *NValues*) is that the intersection graph can be derived in a straightforward way from the counters we maintain for *DL+*: In our context, this graph associates a vertex with every non covered element in S_E and an edge with every pair of non covered elements $\{a, b\} \subseteq S_E$ such that $cover_E(a) \cap cover_E(b) \neq \emptyset$. As *DL+* maintains in $count_{a \wedge b}$ the size of $cover_E(a) \cap cover_E(b)$, edges of the intersection graph simply correspond to pairs $\{a, b\} \subseteq S_E$ such that $count_{a \wedge b} > 0$.

As computing the independence number of the intersection graph is \mathcal{NP} -hard, we compute a lower bound by constructing an independent set with the greedy algorithm of Halldórsson and Radhakrishnan (1997), as proposed by Bessièrè et al. (2006). Starting from an empty independent set, this algorithm iteratively adds vertices to it until the graph is empty. At each iteration, it selects a vertex v of minimum degree and removes v and all its adjacent vertices from the graph. The complexity of this algorithm is linear with respect to the number of edges in the intersection graph, provided that buckets are used to incrementally maintain the set of vertices of degree d for every $d \in [0, \#S_E - 1]$.

Example 4. In Fig. 5, we display the two intersection graphs associated with the instance displayed in Fig. 1 when $E = \emptyset$ and when $E = \{x\}$, respectively.

When $E = \emptyset$, the greedy algorithm builds the independent set $\{a, e, b\}$, and the lower bound computed for k is $\#E + \#\{a, e, b\} = 3$.

When $E = \{x\}$, the greedy algorithm builds the independent set $\{b, a\}$ (or $\{b, d\}$), and the lower bound computed for k is $\#E + \#\{b, a\} = 3$.

5.2.3 USE OF INDEPENDENT SETS TO FILTER *selected* VARIABLE DOMAINS

Bessi ere et al. (2006) also show how to use independent sets to filter domains when the cardinality of the independent set is equal to the number of different values. In our context, this filtering allows us to assign *false* to some *selected* variables. More precisely, when the domain of k is reduced to the singleton $\{\#I\}$ where I is the independent set, for every subset u that does not cover an element of I (i.e., $u \notin \cup_{a \in I} \text{cover}_E(a)$), we can assign *false* to *selected* $_u$.

This filtering may be done not only for I , but also for any other independent set that has the same cardinality as I . However, as this is too expensive to compute all independent sets that have the same cardinality as I , we only compute a subset of them using the algorithm described by Beldiceanu (2001). This algorithm computes in linear time with respect to $\#S_E$ all independent sets that differ from I by only one vertex: It iterates on every vertex $a \in I$ and, for every edge $\{a, b\}$ such that b is not adjacent to any vertex of $I \setminus \{a\}$, it adds the independent set $I \setminus \{a\} \cup \{b\}$.

Let I_0 be the initial independent set computed with the greedy algorithm, and I_1, \dots, I_n be the independent sets derived from I_0 . We remove *true* from the domain of every variable *selected* $_u$ such that $u \notin \bigcap_{j \in [0, n]} \bigcup_{a \in I_j} \text{cover}_E(a)$.

Example 5. On our running example, when $E = \{x\}$, the greedy algorithm builds a first independent set which is either $\{b, a\}$ or $\{b, d\}$. Hence, the lower bound of k is 3. The upper bound of k is also equal to 3 because $\#E + \min\{\#P_E, \lceil \frac{\#S_E}{\min_{u \in P} \#u} \rceil\} = 1 + \min\{4, \frac{4}{2}\} = 3$. Therefore, the domain of k is reduced to the singleton $\{3\}$ and we can apply the filtering on *selected* domains. We derive from the first independent set (i.e., either $\{b, a\}$ or $\{b, d\}$) a second independent set (i.e., $\{b, d\}$ if the first independent set is $\{b, a\}$, and $\{b, a\}$ otherwise). We have $\text{cover}_E(b) = \{z\}$, $\text{cover}_E(a) = \{t, u, v\}$ and $\text{cover}_E(d) = \{u, v\}$. We can remove *true* from the domain of every *selected* variable associated with a subset that does not belong to: $\{u, v, z\} \cap \{t, u, v, z\} = \{u, v, z\}$. Therefore, we remove *true* from the domain of *selected* $_t$.

Experimental Evaluation. We denote *ECK* the Choco implementation of *exactCoverK*, which combines the *DL+* propagator described in Section 4.3 with the propagator described in this section. We experimentally compare *ECK* with *EC_{DL+,NV}* and *EC_{DL+,sum}* in Fig. 6.

ECK and *EC_{DL+,NV}* explore a similar amount of choice points: *ECK* explores slightly fewer choice points than *EC_{DL+,NV}* when $k < 16$ and vice-versa for higher values of k . As expected, the use of *NValues* is much more time consuming than our propagation algorithm. However, our filtering does not pay off compared with *EC_{DL+,sum}* when $17 \leq k \leq 27$ even if it explores almost twice fewer choice points.

6. Experimental Evaluation on a Conceptual Clustering Application

Clustering aims at grouping objects into homogeneous and well separated clusters. The key idea of conceptual clustering is that every cluster is not only characterized by its set of objects but also by a conceptual description such as, for example, a set of shared properties (Michalski & Stepp, 1983). Many approaches (such as, for example, COBWEB introduced by Fisher (1987)) build hierarchies of conceptual clusters in an incremental and greedy way

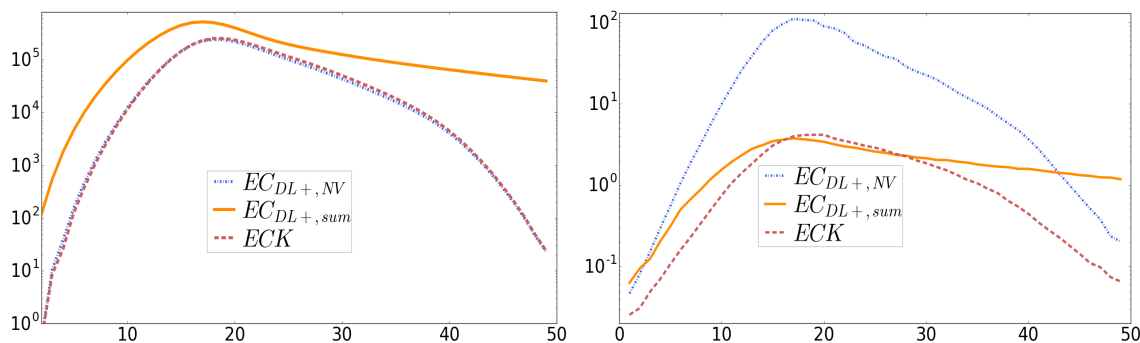


Figure 6: Comparison of number of choice points (left) and CPU time (right) of $EC_{DL+,NV}$, $EC_{DL+,sum}$ and ECK for enumerating all solutions of 10 instances obtained from $ERP1$ by selecting randomly 25% of its subsets, when k is assigned to x , with $x \in [2, 49]$.

that does not ensure the optimality of the final hierarchy. Formal Concept Analysis (Ganter & Wille, 1997) is a particular case of conceptual clustering where data are structured by means of formal concepts, *i.e.*, sets of objects that share a same subset of attributes. Formal concepts are partially ordered, and we may compute lattices of formal concepts, as proposed by Carpineto and Romano (1993), for example. Guns, Nijssen, and Raedt (2013) introduce the problem of k -pattern set mining, concerned with finding a set of k related patterns under constraints, and they show that this problem may be used to solve a particular case of conceptual clustering problem: The goal of this problem is to find a subset of k formal concepts which is a partition of the initial set of objects and which maximizes the minimal weight of a selected formal concept. In this section, we experimentally evaluate the interest of our global constraint on this particular case of conceptual clustering problem. Indeed, this problem has been widely studied since its introduction by Guns *et al.*, and different CP and ILP approaches have been recently proposed for solving it. Furthermore, this problem occurs in an industrial application which aims at mining a catalog of configuration parts from existing configurations of an ERP (Enterprise Resource Planning) system (Chabert, 2018), and we consider instances coming from this application in our experimental study.

In Section 6.1, we formally define the problem and describe existing approaches for solving it. As this problem involves optimizing some utility measures associated with the selected subsets, we show how to extend our global constraints in order to add constraints on bounds of these utility measures in Section 6.2. In Section 6.3, we describe the experimental setup. In Sections 6.4, 6.5 and 6.6, we report experimental results on different problems, where the number of clusters is either fixed to a given value (in Section 6.4) or bounded within a given interval of values (in Sections 6.5 and 6.6), and where the goal is either to optimize a single objective function (in Sections 6.4 and 6.5) or to compute the whole Pareto front of non-dominated solutions for two conflicting objective functions (in Section 6.6).

6.1 Definition of the Problem

Definition 4. Let \mathcal{O} be a set of objects, and for each object $o \in \mathcal{O}$, let $attr(o)$ be the set of attributes that describes o .

$$\begin{aligned} attr(o_1) &= \{a_1, a_2, a_4\} & attr(o_3) &= \{a_2, a_4\} & attr(o_5) &= \{a_1, a_3\} \\ attr(o_2) &= \{a_1, a_3, a_4\} & attr(o_4) &= \{a_2, a_3\} \end{aligned}$$

Figure 7: Example of dataset with 5 objects and 4 attributes.

\mathcal{F}	<i>intent</i>	<i>subset of objects</i>	<i>frequency</i>	<i>size</i>	<i>diameter</i>	<i>split</i>
c_0	\emptyset	$\{o_1, o_2, o_3, o_4, o_5\}$	5	0	1	0
c_1	$\{a_1\}$	$\{o_1, o_2, o_5\}$	3	1	3/4	1/3
c_2	$\{a_2\}$	$\{o_1, o_3, o_4\}$	3	1	3/4	1/2
c_3	$\{a_3\}$	$\{o_2, o_4, o_5\}$	3	1	3/4	1/2
c_4	$\{a_4\}$	$\{o_1, o_2, o_3\}$	3	1	3/4	2/3
c_5	$\{a_1, a_3\}$	$\{o_2, o_5\}$	2	2	2/3	1/2
c_6	$\{a_1, a_4\}$	$\{o_1, o_2\}$	2	2	1/2	1/3
c_7	$\{a_2, a_3\}$	$\{o_4\}$	1	2	0	2/3
c_8	$\{a_2, a_4\}$	$\{o_1, o_3\}$	2	2	1/3	1/2
c_9	$\{a_1, a_3, a_4\}$	$\{o_2\}$	1	3	0	1/2
c_{10}	$\{a_1, a_2, a_4\}$	$\{o_1\}$	1	3	0	1/3
c_{11}	$\{a_1, a_2, a_3, a_4\}$	\emptyset	0	4	0	0

Table 2: The set \mathcal{F} of all formal concepts contained in the dataset described in Table 7.

- The *intent* of a subset of objects $O_i \subseteq \mathcal{O}$ is the set of attributes common to all objects in O_i , *i.e.*, $intent(O_i) = \bigcap_{o \in O_i} attr(o)$.
- A subset of objects $O_i \subseteq \mathcal{O}$ is a formal concept if it contains every object whose set of attributes is a superset of its intent, *i.e.*, $O_i = \{o \in \mathcal{O} : intent(O_i) \subseteq attr(o)\}$.
- A conceptual clustering is a partition of \mathcal{O} in k formal concepts O_1, \dots, O_k , *i.e.*, $\forall o \in \mathcal{O}, \#\{i \in [1, k] : o \in O_i\} = 1$.

Example 6. In Table 2, we list all formal concepts associated with the dataset displayed in Fig. 7. Examples of conceptual clusterings are $\{c_2, c_5\}$ and $\{c_5, c_7, c_8\}$.

Quality Measures Associated with Formal Concepts. Two classical measures for evaluating the quality of a formal concept $O_i \subseteq \mathcal{O}$ are the *frequency*, which corresponds to its number of objects (*i.e.*, $frequency(O_i) = \#O_i$), and the *size*, which corresponds to its number of attributes (*i.e.*, $size(O_i) = \#intent(O_i)$).

Two other measures that are often used to evaluate the quality of a group of objects for clustering applications are the diameter and the split. These two measures assume that there exists a distance measure $d : \mathcal{O} \times \mathcal{O} \rightarrow \mathbb{R}$ between objects. In our experiments, we consider the distance of Jaccard (1901) which depends on the number of common attributes, *i.e.*, $d(o, o') = 1 - \frac{\#(attr(o) \cap attr(o'))}{\#(attr(o) \cup attr(o'))}$. Given this distance measure d , the *diameter* of a formal concept $O_i \subseteq \mathcal{O}$ evaluates its homogeneity by the maximal distance between objects in O_i (*i.e.*, $diameter(O_i) = \max_{o, o' \in O_i} d(o, o')$ if $\#O_i > 1$ and $diameter(O_i) = 0$ otherwise) whereas the *split* evaluates its separation with other objects by the minimal distance between

objects in O_i and objects in $\mathcal{O} \setminus O_i$ (*i.e.*, $split(O_i) = \min_{o \in O_i, o' \in \mathcal{O} \setminus O_i} d(o, o')$ if $O_i \neq \mathcal{O}$ and $split(O_i) = 0$ otherwise).

Many other quality measures could be defined, depending on the applicative context. In this section, we report experimental results for these four quality measures which are widely used and rather representative. We denote $Q = \{frequency, size, -diameter, split\}$ this set of four quality measures. Note that for each quality measure $q \in Q$, the higher $q(O_i)$, the better the quality of O_i (when the quality measure is the diameter, we define $q(O_i) = -diameter(O_i)$ as smaller diameter values indicate more homogeneous clusters).

Optimization Criteria for Conceptual Clustering. There may exist different solutions to a conceptual clustering problem, and we may add an objective function to search for the best solution. In this paper, we consider the case where we maximize an objective variable denoted Min_q (where $q \in Q$ is a quality measure) which is constrained to be equal to the smallest quality among the selected formal concepts, *i.e.*, $Min_q = \min_{O_i \in \{O_1, \dots, O_k\}} q(O_i)$. By maximizing Min_q , we ensure a minimal quality over all clusters, and this is well suited for many applications such as, for example, the ERP configuration problem addressed by Chabert (2018).

Example 7. In Table 2, we give for each formal concept of the dataset the value of each quality measure defined above. For the conceptual clustering $\{c_5, c_7, c_8\}$, we have: $Min_{frequency} = 1$, $Min_{size} = 2$, $Min_{-diameter} = -2/3$, and $Min_{split} = 1/2$.

Computation of Formal Concepts. Formal concepts correspond to *closed itemsets* (Pasquier, Bastide, Taouil, & Lakhal, 1999) and the set of all formal concepts may be computed by using algorithms dedicated to the enumeration of frequent closed itemsets. In particular, LCM (Uno, Asai, Uchida, & Arimura, 2004) is able to extract all formal concepts in linear time with respect to the number of formal concepts.

Constraint Programming (CP) has been widely used to model and solve itemset search problems (Raedt, Guns, & Nijssen, 2008; Khiari, Boizumault, & Crémilleux, 2010; Guns, Nijssen, & Raedt, 2011; Guns, 2015; Lazaar, Lebbah, Loudni, Maamar, Lemièrre, Bessiere, & Boizumault, 2016; Schaus, Aoga, & Guns, 2017; Ugarte, Boizumault, Crémilleux, Lepailleur, Loudni, Plantevit, Raïssi, & Soulet, 2017). Indeed, CP allows the user to easily model various constraints on the searched itemsets. The propagation of these constraints reduces the search space and allows CP to be competitive with dedicated approaches such as LCM for extracting constrained itemsets.

CP for Conceptual Clustering. The conceptual clustering problem we consider here is a special case of k -pattern set mining, as introduced by Guns et al. (2013): This problem is defined by combining a cover and a non-overlapping constraint, and a binary CP model is proposed to solve this problem. Dao, Duong, and Vrain (2017) describe a CP model for clustering problems where a dissimilarity measure between objects is provided, and this CP model has been extended to conceptual clustering by Dao, Lesaint, and Vrain (2015). Experimental results reported by Dao et al. (2015) show that this model outperforms the binary model of Guns et al. (2013). Chabert and Solnon (2017) introduce another CP model, which improves the model of Dao et al. (2015) when the number of clusters is not fixed.

Conceptual Clustering as an Exact Cover Problem. The set \mathcal{F} of all formal concepts may be efficiently computed with dedicated tools such as LCM (Uno et al., 2004). Given this set, a conceptual clustering problem may be seen as an exact cover problem, the goal of which is to find a subset of formal concepts $E \subseteq \mathcal{F}$ that covers every object exactly once, *i.e.*, $\forall o \in \mathcal{O}, \#\{O_i \in E : o \in O_i\} = 1$. This exact cover problem may be solved by using any approach described in Section 3.4. In particular, Ouali et al. (2016) propose to use ILP, and they show that ILP is very convenient and efficient for modeling and solving conceptual clustering problems given the set of all formal concepts.

6.2 Extension of *exactCover* to *exactCoverQ*

We propose to use *exactCover* to solve conceptual clustering problems in a two-step approach: In a first step we use LCM to extract the set \mathcal{F} of all formal concepts, and in a second step we use *exactCover* to select a subset of \mathcal{F} which is an exact cover of \mathcal{O} . However, as pointed out previously, we add an objective function to search for an exact cover E that maximizes Min_q where $q \in Q$ is the measure which evaluates the quality of a formal concept. Furthermore, in some cases it may be useful to add constraints on minimal and/or maximal measures associated with selected formal concepts (this is the case, for example, when considering several quality measures and computing the Pareto front of all non dominated solutions with respect to these measures).

Hence, we extend *exactCover* and *exactCoverK* to the case where quality measures are associated with subsets.

Definition 5. Let (S, P) be an instance of EC and, for each subset $u \in P$, let *selected_u* be a Boolean variable. Let n be the number of different quality measures and, for each $i \in [1, n]$ and each subset $u \in P$, let $q_i(u)$ denote the i^{th} quality measure associated with u . For each $i \in [1, n]$, let $MinQ_i$ and $MaxQ_i$ be two integer variables. The global constraint *exactCoverQ_{S,P,q}*(*selected*, $MinQ$, $MaxQ$) is satisfied iff all *selected* variables assigned to *true* correspond to an exact cover of (S, P) and $MinQ$ and $MaxQ$ variables are assigned to the minimum and maximum quality associated with selected subsets, *i.e.*,

$$\begin{aligned} \forall a \in S, \quad & \sum_{u \in cover(a)} selected_u = 1 \\ \forall i \in [1, n], MinQ_i = & \min_{u \in P, selected_u = true} q_i(u) \\ \forall i \in [1, n], MaxQ_i = & \max_{u \in P, selected_u = true} q_i(u) \end{aligned}$$

Similarly, we define the global constraint *exactCoverQK_{S,P,q}*(*selected*, k , $MinQ$, $MaxQ$) which further ensures that the integer variable k is equal to the number of selected subsets, *i.e.*, $\sum_{u \in P} selected_u = k$.

Propagation of *exactCoverQ* (resp. *exactCoverQK*). This constraint is propagated like *exactCover* (resp. *exactCoverK*), but before starting the search we remove from P every subset u that does not satisfy the bound constraints, *i.e.*, such that there exists $i \in [1, n]$ for which $q_i(u) \notin [MinQ_i.lb, MaxQ_i.ub]$ (where $x.lb$ and $x.ub$ respectively denote the smallest and greatest value in the domain of a variable x). Then, each time a variable *selected_u* is

Table 3: Benchmark: for each instance, $\#\mathcal{O}$ gives the number of objects, $\#\mathcal{A}$ gives the number of attributes, $\#\mathcal{F}$ gives the number of formal concepts, and t gives the time (in seconds) spent by LCM to compute the set \mathcal{F} of all formal concepts.

Name	$\#\mathcal{O}$	$\#\mathcal{A}$	$\#\mathcal{F}$	t
ERP1	50	27	1,580	0.01
ERP2	47	47	8,133	0.03
ERP3	75	36	10,835	0.03
ERP4	84	42	14,305	0.05
ERP5	94	53	63,633	0.28
ERP6	95	61	71,918	0.45
ERP7	160	66	728,537	5.31

Name	$\#\mathcal{O}$	$\#\mathcal{A}$	$\#\mathcal{F}$	t
UCI1 (zoo)	101	36	4,567	0.01
UCI2 (soybean)	630	50	31,759	0.10
UCI3 (primary-tumor)	336	31	87,230	0.28
UCI4 (lymph)	148	68	154,220	0.52
UCI5 (vote)	435	48	227,031	0.68
UCI6 (hepatitis)	137	68	3,788,341	13.90

assigned to *true*, for each $i \in [1, n]$, we propagate:

$$\begin{aligned} \text{Min}Q_i.\text{ub} &= \min\{\text{Min}Q_i.\text{ub}, q_i(u)\}, \\ \text{Max}Q_i.\text{lb} &= \max\{\text{Max}Q_i.\text{lb}, q_i(u)\}. \end{aligned}$$

Also, each time $\text{Min}Q_i.\text{lb}$ or $\text{Max}Q_i.\text{ub}$ is updated, for each subset u such that $q_i(u) \notin [\text{Min}Q_i.\text{lb}, \text{Max}Q_i.\text{ub}]$, we remove *true* from the domain of selected_u .

6.3 Experimental Setup

Benchmark. We describe in Table 3 six classical machine learning instances, coming from the UCI database, and six ERP instances coming from an ERP configuration problem described by Chabert and Solnon (2017).

Let us recall that to solve conceptual clustering problems with a two-step approach, we first compute the set \mathcal{F} of all formal concepts with a dedicated tool such as LCM, and then we solve an exact cover problem (S, P) such that S is the set of all objects (*i.e.*, $S = \mathcal{O}$) and P is the set of all formal concepts (*i.e.*, $P = \mathcal{F}$). The number of objects $\#\mathcal{O}$ varies from 47 to 630, and the number of formal concepts $\#\mathcal{F}$ varies from 1,580 to 3,788,341. The time spent by LCM to compute \mathcal{F} is smaller than one second for all instances but two. The two harder instances (ERP7 and UCI6) are solved in 5.31 and 13.9 seconds, respectively.

Considered Implementations of our Global Constraints. All our global constraints and propagators are implemented with Choco v.4.0.3 (Prud’homme et al., 2016). We consider the following models:

- $ECQ_{*,sum}$ with $* \in \{DL, DL+\}$, which combines the *exactCoverQ* constraint (propagated with the algorithms described in Sections 4.2 or 4.3 depending on whether $* = DL$ or $* = DL+$) with a sum constraint, as described in 5.1;
- $ECQK$, which is the model that uses the *exactCoverQK* constraint.

We consider the ordering heuristic introduced by Knuth (2000): At each node, we search for the element $a \in S_E$ such that $\#cover_E(a)$ is minimal and, for each subset $u \in cover_E(a)$, we create a branch where selected_u is assigned to *true*.

Considered Implementations of Other Declarative Approaches. We compare *ECQK* and *ECQ_{*,sum}* with the following declarative approaches:

- *FCP1*, the full CP model introduced by Dao et al. (2015), and implemented with Gecode (2005);
- *FCP2*, the full CP model introduced by Chabert and Solnon (2017), and implemented with `Choco v.4.0.3`;
- *ILP*, the hybrid approach introduced by Ouali et al. (2016), and implemented with CPLEX v12.7. Note that ILP approaches dedicated to the set partitioning problem (such as Rasmussen (2011), Rnnberg and Larsson (2014), or Zaghrouti et al. (2014), for example) cannot be used to solve our problem as the goal is not to minimize a weighted sum but to maximize the minimal weight of a selected subset.

Performance Measures. We consider two different performance measures, *i.e.*, the number of choice points and the CPU time. All experiments were conducted on Intel(R) Core(TM) i7-6700 with 3.40GHz of CPU and 65GB of RAM, using a single thread.

For all hybrid approaches that use LCM to extract all formal concepts in a preprocessing step, and then solve an exact cover problem (*i.e.*, *ILP*, *ECQ_{*,sum}*, and *ECQK*), CPU times that are reported always include the time spent by LCM to extract all formal concepts (see Table 3 for information on this time).

6.4 Single Criterion Optimization with k Fixed

In this section, we consider the problem of maximizing Min_q (with $q \in Q$) when the number of clusters k is fixed to a given value that ranges from 2 to 10. For this experiment which is rather time-consuming (it involves solving one instance per value of k), we only report results for six instances, *i.e.*, ERP2 to ERP4, and UCI1 to UCI3.

Fig. 8 reports the number of nodes explored by *ECQ_{*,sum}* and *ECQK* for values of k ranging between 2 and 10. For $Min_{frequency}$, *ECQ_{DL+,sum}* usually explores much fewer nodes than *ECQ_{DL,sum}* whereas *ECQK* often explores the same number of nodes as *ECQ_{DL+,sum}*.

For Min_{split} , the three propagators explore rather similar numbers of choice points when k is small. When k increases, *ECQK* often explores fewer choice points than *ECQ_{*,sum}*, but the difference is moderate. Finally, for Min_{size} and $Min_{diameter}$, *ECQK* explores much fewer choice points than *ECQ_{DL+,sum}*, and *ECQ_{DL,sum}* and *ECQ_{DL+,sum}* nearly always explore the same number of choice points. For these criteria, many instances are not solved within a CPU time limit of 1000 seconds by *ECQ_{*,sum}*. *ECQK* is able to solve more instances, but it fails at solving ERP4 and UCI2 when $k > 6$ for Min_{size} , and UCI3 when $k > 4$ for Min_{size} and $Min_{diameter}$.

In Fig. 9, we compare CPU times of *ECQK* (which is the best performing propagator for *exactCoverQ*), *FCP1* and *ILP*. We do not report CPU times of *FCP2* because it is outperformed by *FCP1*. *ECQK*, *FCP1* and *ILP* have complementary performance:

- For Min_{split} and $Min_{diameter}$ *FCP1* is very efficient and clearly outperforms *ECQK* and *ILP*. For these two criteria, *ECQK* is always faster than *ILP*, except for UCI3 when $k = 4$.

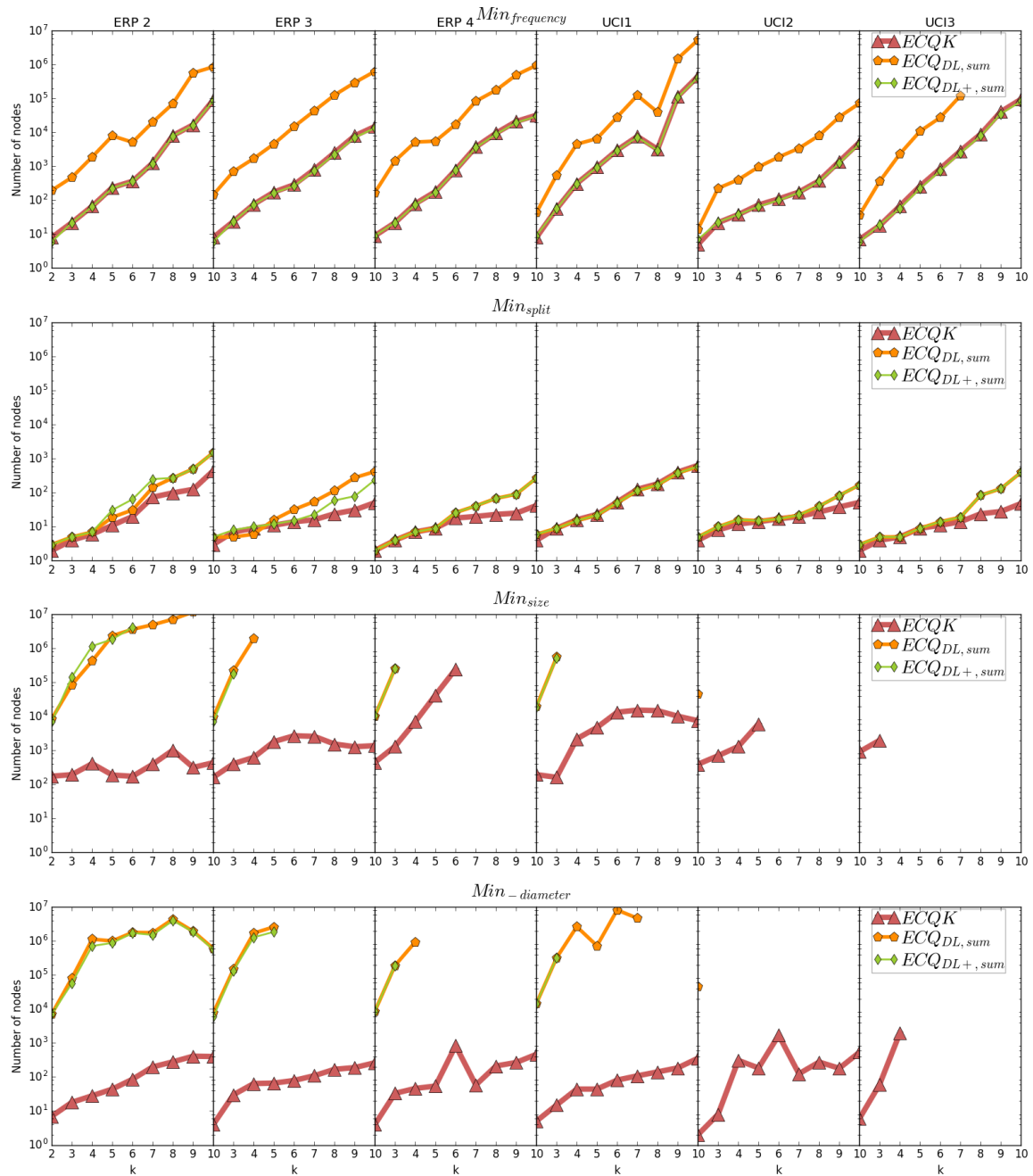


Figure 8: Number of nodes of $ECQ_{DL, sum}$, $ECQ_{DL+, sum}$, and $ECQK$ to maximize $Min_frequency$, Min_split , Min_size , and $Min_diameter$ (from top to bottom), when k is assigned to x , with $x \in [2, 10]$. Results are reported only when the time is smaller than 1000 seconds.

- For $Min_frequency$ and Min_size , $FCP1$ is the fastest approach when $k = 2$, but it does not scale well when k increases, and it is not able to solve instances when $k > 5$. For $Min_frequency$, $ECQK$ is faster than ILP (except for UCI1 when $k \in \{9, 10\}$), and

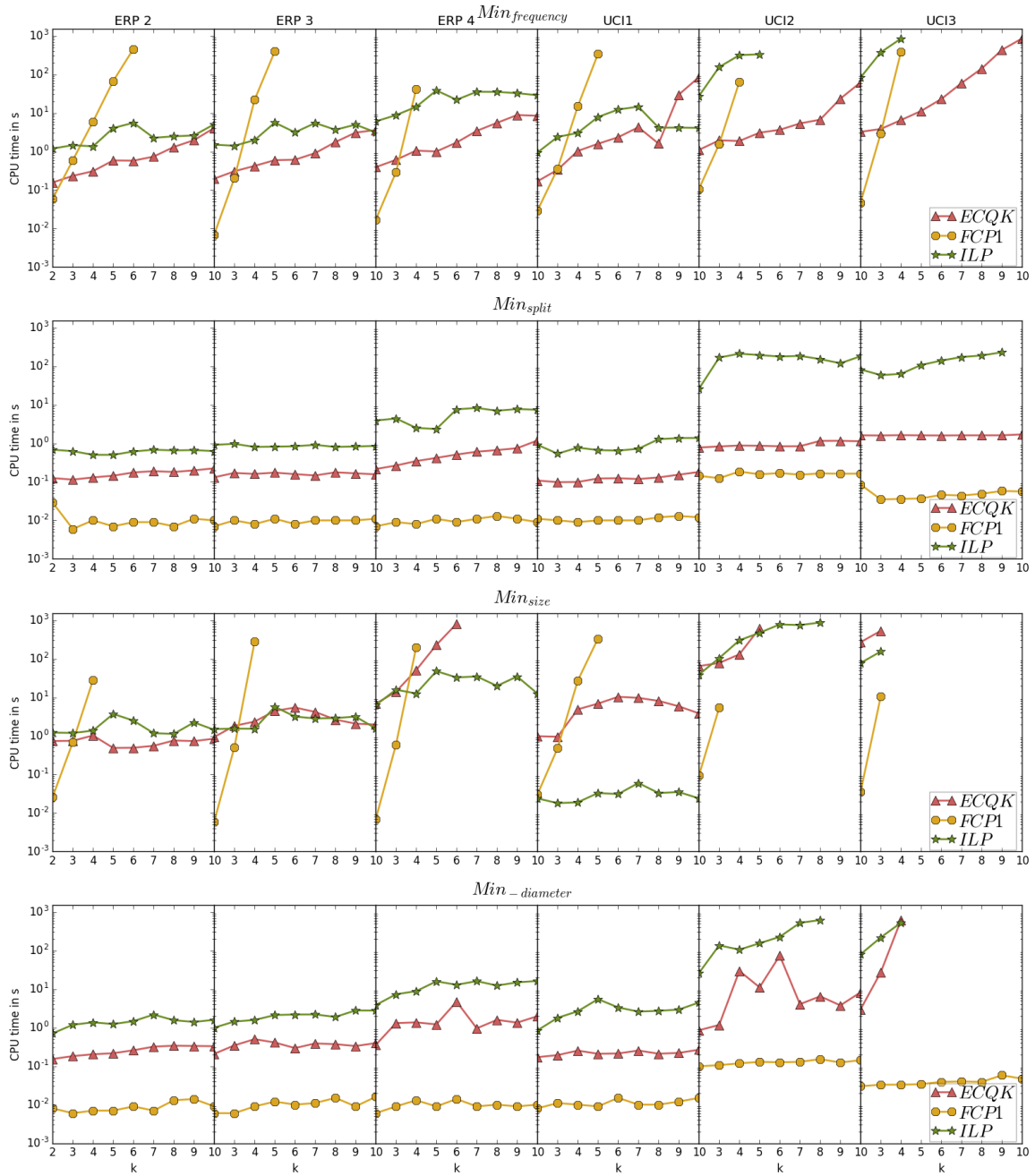


Figure 9: CPU time of $ECQK$, $FCP1$, and ILP to maximize $Min_{frequency}$, Min_{split} , Min_{size} and $Min_{diameter}$ (from top to bottom) when k is assigned to x , with $x \in [2, 10]$. Results are reported only when the CPU time is smaller than 1000 seconds.

$ECQK$ is the only approach that is able to solve all instances. For Min_{size} , $ECQK$ and ILP have rather comparable performance for ERP2, ERP3, and UCI3. However, $ECQK$ is outperformed by ILP for ERP4, UCI1, and UCI2.

As a conclusion, if *ECQK* is not the best approach on every instance, it is the approach which solves the largest number of instances within the CPU time limit of 1000 seconds: Among the $9 * 6 * 4 = 216$ considered instances, *ECQK* solves 194 instances whereas *ILP* and *FCP1* solve 187 and 147 instances, respectively.

6.5 Single Criterion Optimization with k Bounded

In some applicative contexts, we do not know *a priori* the number of clusters and, therefore, k is not fixed. This is the case, for example, in the application to ERP configuration (Chabert & Solnon, 2017; Chabert, 2018). In this case, we only constrain k to be strictly greater than 1 and strictly smaller than the number of objects, *i.e.*, $D(k) = [2, \#O - 1]$. In other words, we want more than one cluster and at least one cluster must contain two objects.

When k is not fixed, there is a huge number of solutions, and we refine the ordering heuristic in order to favor the construction of good solutions first. As the goal is to maximize Min_q , this is done by branching first on subsets $u \in cover_E(a)$ such that $q(u)$ is maximal (where a is an element in S_E such that $\#cover_E(a)$ is minimal). However, we apply this ordering heuristic only when $q \in \{size, split, -diameter\}$. When the goal is to maximize $Min_{frequency}$, we use the *objectiveStrategy* ordering heuristic (Prud'homme et al., 2016) which performs a dichotomous branching over $Min_{frequency}$. Indeed, in this case, the sum of frequencies of the subsets in an exact cover is equal to the number of objects. As a consequence, better solutions are obtained by favoring the selection of subsets of medium frequencies (instead of large frequencies) because once a first subset u has been selected, we know that $Min_{frequency}$ is upper bounded by $\#E - frequency(u)$.

Table 4 displays the results of *ECQ_{DL,sum}*, *ECQ_{DL+,sum}*, *FCP1*, *FCP2*, and *ILP* when maximizing Min_q with $q \in \{size, split, -diameter, frequency\}$. We do not report results of *ECQK* because, when k is not fixed, the advanced bound computations and filterings described in Section 5.2 nearly never reduce the number of choice points (compared to *ECQ_{DL+,sum}*).

ECQ_{DL+,sum} is the only approach able to solve the 52 instances within the time limit of 1000 seconds. It never spends more than 104 seconds to solve an instance, and its average solving time is equal to 9s. Both *ECQ_{DL,sum}* and *FCP2* are able to solve all instances but one, and their average solving time on the 51 solved instances are equal to 13.2s and 25.8s, respectively. *FCP1* fails at solving four instances, and its average solving time on the 48 solved instances is equal to 68.3s. Finally, *ILP* fails at solving 21 instances, and its average solving time on the 31 solved instances is equal to 286.1s.

However, if *ECQ_{DL+,sum}* is the only approach able to solve all instances within a time limit of 1000s, and if it has the smallest average solving time, there are only 10 instances for which *ECQ_{DL+,sum}* is the fastest approach. Indeed, if *ECQ_{DL+,sum}* explores much fewer choice points than *ECQ_{DL,sum}* for the $Min_{frequency}$ criterion, *ECQ_{DL,sum}* and *ECQ_{DL+,sum}* often explore the same number of choice points (and when this is not the case, the difference is very small) for the three other criteria. As a consequence, the stronger propagation of *DL+* only pays off for the $Min_{frequency}$ criterion, and for the three other criteria *ECQ_{DL+,sum}* is never faster than *ECQ_{DL,sum}*.

	Maximize Min_{size}						Maximize $Min_{frequency}$							
	$ECQ_{DL,sum}$		$ECQ_{DL+,sum}$		$FCP1$	$FCP2$	ILP	$ECQ_{DL,sum}$		$ECQ_{DL+,sum}$		$FCP1$	$FCP2$	ILP
	time	nodes	time	nodes	time	time	time	time	nodes	time	nodes	time	time	time
ERP1	0.1	48	0.1	48	0.2	0.4	57.5	0.1	7	0.1	5	0.2	0.3	57.4
ERP2	0.1	41	0.2	42	25.7	0.4	109.2	0.5	159	0.2	6	0.3	0.4	123.0
ERP3	0.1	58	0.2	59	459.9	0.5	122.6	0.6	106	0.2	6	1.4	0.9	136.9
ERP4	0.2	84	0.4	84	2.0	1.2	367.5	1.5	138	0.4	9	1.2	1.0	307.0
ERP5	0.5	77	0.8	79	-	0.4	609.2	16.8	346	1.0	7	72.5	1.5	586.5
ERP6	1.6	95	3.8	95	6.9	1.3	-	90.7	1212	1.9	7	47.6	1.7	-
ERP7	31.1	161	103.6	161	49.1	2.5	-	-	-	23.9	7	952.7	6.5	-
UCI1	0.1	58	0.1	58	1.4	0.5	0.0	0.2	34	0.2	9	1.1	1.6	151.1
UCI2	0.3	493	0.6	493	-	493.6	842.1	0.6	16	0.8	7	211.0	192.1	-
UCI3	0.5	215	0.8	215	334.0	20.8	1924.8	2.4	27	2.3	6	530.0	33.5	-
UCI4	3.3	152	6.2	152	212.7	3.1	-	1.6	18	1.9	10	101.1	4.5	-
UCI5	1.0	338	1.5	338	-	19.9	5697.6	1.3	6	2.1	4	-	-	-
UCI6	17.0	136	23.5	136	193.4	1.3	-	382.7	175	74.4	17	38.9	3.1	-

	Maximize Min_{split}						Maximize $Min_{diameter}$							
	$ECQ_{DL,sum}$		$ECQ_{DL+,sum}$		$FCP1$	$FCP2$	ILP	$ECQ_{DL,sum}$		$ECQ_{DL+,sum}$		$FCP1$	$FCP2$	ILP
	time	nodes	time	nodes	time	time	time	time	nodes	time	nodes	time	time	time
ERP1	0.1	8	0.1	8	0.0	0.2	50.5	0.1	48	0.1	48	0.0	0.2	61.4
ERP2	0.1	3	0.1	3	0.0	0.2	79.7	0.1	40	0.2	42	0.0	0.2	102.1
ERP3	0.1	4	0.2	4	0.0	0.3	103.8	0.1	58	0.2	59	0.0	0.3	120.7
ERP4	0.2	2	0.2	2	0.0	0.3	283.9	0.2	84	0.4	84	0.0	1.1	350.5
ERP5	0.6	5	0.7	4	0.1	0.4	557.5	0.5	76	0.7	78	0.1	0.4	628.7
ERP6	0.9	15	1.8	14	0.1	0.5	1739.8	1.6	95	3.8	95	0.1	1.2	-
ERP7	6.9	3	13.7	3	0.2	1.5	-	49.6	161	103.4	161	0.2	1.0	-
UCI1	0.1	3	0.1	3	0.1	0.7	139.3	0.1	58	0.1	58	0.1	0.4	113.0
UCI2	0.3	5	0.7	5	11.0	15.7	784.8	0.2	493	0.5	493	11.3	446.5	877.9
UCI3	0.7	33	2.4	33	1.7	4.2	-	0.5	215	0.8	215	1.7	13.9	-
UCI4	1.7	3	0.8	3	0.2	0.5	2788.4	3.2	152	6.3	152	0.2	3.5	-
UCI5	0.9	89	4.2	89	4.6	9.6	-	1.0	338	1.5	338	4.5	18.6	-
UCI6	17.9	5	34.9	5	0.2	1.0	-	28.2	136	38.3	136	0.2	1.8	-

Table 4: Comparison of $ECQ_{DL,sum}$, $ECQ_{DL+,sum}$, $FCP1$, $FCP2$ and ILP for mono-criterion problems Min_{size} (top left), $Min_{frequency}$ (top right), Min_{split} (bottom left), and $Min_{diameter}$ (bottom right). '-' is reported when time exceeds 1,000s. For each instance, the fastest approach is highlighted in blue.

$FCP1$ is very efficient on most instances for Min_{split} and $Min_{diameter}$ criteria. However, it has rather poor performance on Min_{size} and $Min_{frequency}$ criteria. $FCP2$ is the fastest approach on some instances for Min_{size} and $Min_{frequency}$ criteria, but on some other instances it has rather poor performance. ILP is not competitive with CP approaches.

In Fig. 10, we plot the evolution of the cumulative number of solved instances with respect to time for the five different approaches. If $FCP1$ is able to solve more instances for time limits smaller than 0.6s, it is outperformed by $ECQ_{DL,sum}$ when the time limit is greater than 0.6s. For time limits greater than 40s, $ECQ_{DL+,sum}$ is able to solve more instances than all other approaches.

6.6 Multi-Criteria Optimization

Solutions that maximize Min_{size} or $Min_{diameter}$ usually have a very large number of clusters (close to $\#\mathcal{O} - 1$), whereas solutions that maximize $Min_{frequency}$ or Min_{split} usually have

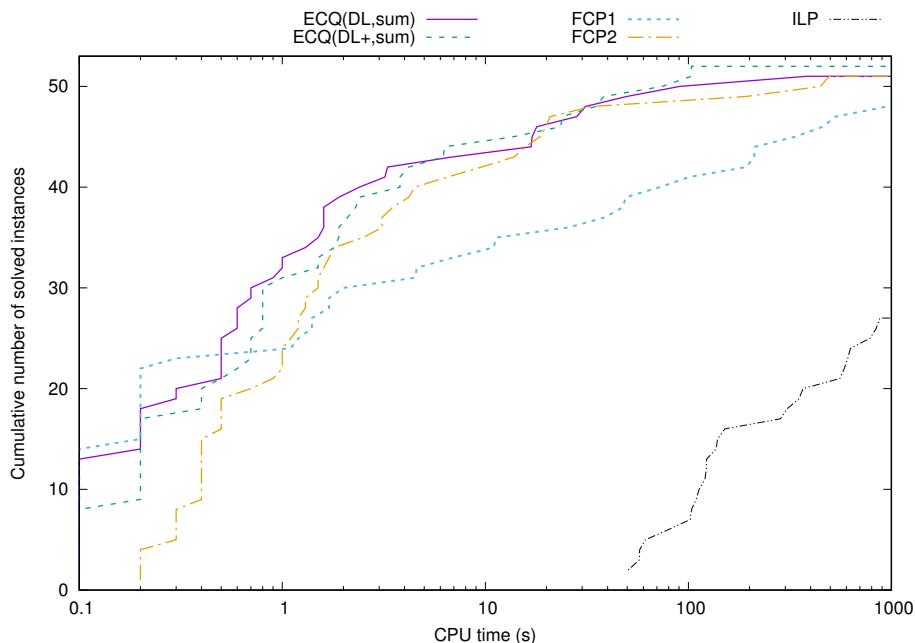


Figure 10: Cumulative number of solved instances with respect to time: For each approach $f \in \{ECQ_{DL+,sum}, ECQ_{DL,sum}, FCP1, FCP2, ILP\}$, we plot the curve $f(x) = y$ such that y is the number of instances which are solved by f within a time limit of x seconds.

very few clusters (close to 2). To obtain different kinds of compromise solutions, ranging from solutions that have very few clusters (with high values of $Min_{frequency}$ and Min_{split}) to solutions that have a lot of clusters (with high values of Min_{size} and $Min_{diameter}$), we may compute Pareto fronts: Given two optimization criteria, the Pareto front contains all non-dominated solutions, where a solution s dominates another solution s' if s is at least as good as s' for one criterion, and it is strictly better for the other criterion.

In this section, we evaluate scale-up properties of our global constraints for computing the Pareto front of all non-dominated solutions for two pairs of conflicting criteria, *i.e.*, $Min_{frequency}$ and Min_{size} (denoted (frequency,size)) and Min_{split} and $Min_{diameter}$ (denoted (split,diameter)).

For this problem, the number of clusters k is not fixed to a given value, and it is only bounded between 2 and $\#\mathcal{O} - 1$. Hence, we do not consider $ECQK$ and only report results of $ECQ_{*,sum}$ with $* \in \{DL, DL+\}$.

There exist two main approaches for solving multi-criteria problems with CP. In Section 6.6.1, we consider the static approach of Wassenhove and Gelders (1980) which involves solving a sequence of mono-criterion problems. In Section 6.6.2, we consider the dynamic approach of Gavaneli (2002) which involves solving a single enumeration problem while dynamically adding constraints to prevent the search from enumerating dominated solutions.

	(Split,Diameter)					(Frequency,Size)				
	#s	$ECQ_{DL,sum}$		$ECQ_{DL+,sum}$		#s	$ECQ_{DL,sum}$		$ECQ_{DL+,sum}$	
		time	nodes	time	nodes		time	nodes	time	nodes
ERP 1	1	0.2	57	0.2	57	7	0.3	1003	0.3	162
ERP 2	5	0.4	165	0.5	134	9	6.7	5,593	0.7	154
ERP 3	2	0.3	70	0.4	72	10	9.7	4,582	1.1	213
ERP 4	2	0.6	98	0.9	98	13	69.4	64,546	3.1	546
ERP 5	3	1.4	128	2.2	115	13	601.8	53,349	12.9	362
ERP 6	3	3.2	143	5.5	132	15	2320.6	5,447,207	24.0	563
ERP 7	2	81.1	175	212.5	175	17	-	-	826.5	2,698
UCI1	3	0.2	102	0.3	102	13	2.5	5,821	1.0	499
UCI2	3	0.8	650	3.1	647	-	-	-	-	-
UCI3	1	0.8	250	3.6	250	11	-	-	368.5	18,523
UCI4	5	3.2	418	4.9	414	14	946.1	560,908	322.4	55,457
UCI5	2	3.4	513	10.1	513	8	2407.1	9,962,639	637.2	1,098,756
UCI6	4	428.1	518	467.4	519	-	-	-	-	-

Table 5: Time (in seconds) and number of choice points needed by $ECQ_{DL,sum}$ and $ECQ_{DL+,sum}$ for (split,diameter) and (frequency,size) to compute the set of non-dominated solutions using the static method of Wassenhove and Gelders (1980). #s gives the number of non-dominated solutions. '-' is reported when time exceeds 1,000s.

6.6.1 STATIC APPROACH

Given two objective variables x_1 and x_2 to maximize, we can compute the Pareto front by solving a sequence of mono-criterion optimization problems (Wassenhove & Gelders, 1980; Duong, 2014). The idea is to alternate between the two objectives as follows:

1. Search for a solution s_1 that maximizes x_1 ;
2. Search for a solution s_2 that maximizes x_2 when x_1 is assigned to its value in s_1 (s_2 is a non-dominated solution);
3. Constrain x_2 to be greater than its value in s_2 , and go to step (1), until no more solution can be found.

In Table 5, we report results of $ECQ_{DL,sum}$ and $ECQ_{DL+,sum}$ for solving (split,diameter) (resp. (frequency,size)) when the first maximized variable (x_1) is Min_{split} (resp. $Min_{frequency}$) and the second variable to maximize (x_2) is $Min_{-diameter}$ (resp. Min_{size}). Note that if there is almost no difference between choosing Min_{split} and $Min_{-diameter}$ as first variable to maximize, considering $Min_{frequency}$ as first variable significantly reduces solving times (compared to considering Min_{size} as first variable).

The number of non-dominated solutions ranges from 1 to 5 for (split,diameter) whereas it ranges from 7 to 19 for (frequency,size). This may come from the fact that frequency and size measures are very conflicting criteria (formal concepts with large frequencies usually have small sizes, and vice versa), whereas (split,diameter) are less conflicting criteria.

For (split,diameter), $ECQ_{DL,sum}$ is faster than $ECQ_{DL+,sum}$ because $DL+$ never reduces significantly the number of choice points.

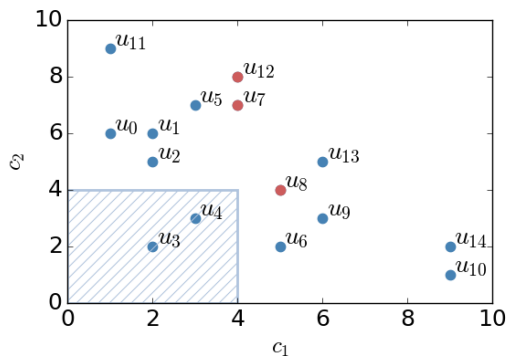


Figure 11: Example of dominated area for two quality measures q_1 and q_2 . Each point (x, y) corresponds to a subset $u_j \in P$ such that $x = q_1(u_j)$ and $y = q_2(u_j)$. Let us assume that $E = \{u_7, u_8, u_{12}\}$ is an exact cover (displayed in red). The area dominated by E is displayed in blue. The variables $selected_{u_3}$ and $selected_{u_4}$ can be assigned to *false* because any exact cover that contains u_3 or u_4 is dominated by E .

For (frequency,size), $DL+$ significantly reduces the number of choice points, compared to DL , for all instances, and $ECQ_{DL+,sum}$ is able to solve four more instances than $EC_{DL,sum}$ within the time limit.

6.6.2 DYNAMIC APPROACH

Gavanelli (2002) introduces an alternative approach to the static approach described in the previous section. The idea is to solve a single enumeration problem: Each time a new solution s is found, the Pareto front is updated by adding s to it and removing from it all solutions dominated by s , and a constraint is dynamically added in order to prevent the search from computing a solution which is dominated by s . The search stops when no more solution can be found. A Pareto constraint based on this filtering rule has been introduced by Schaus and Hartert (2013) with an efficient filtering algorithm for bi-objective problems.

In this section, we show how to improve this approach for solving a multi-criteria exact cover problem (S, P) when every objective function involves maximizing a variable Min_q with $q \in Q'$ (where $Q' \subseteq Q$ is the subset of considered quality measures). Indeed, during the search process, when an exact cover $E \subseteq P$ is found, we can discard any subset u such that $\forall q \in Q', q(u) \leq \min_{v \in E} q(v)$, as illustrated in Fig. 11.

Hence, we propose to extend the dynamic approach of Gavanelli (2002) and Schaus and Hartert (2013). More precisely, each time a solution s is found, we dynamically add two constraints:

- The first constraint is the constraint used by Gavanelli (2002) and Schaus and Hartert (2013) to prevent the search from computing a solution dominated by s , *i.e.*,
$$\bigvee_{q \in Q'} Min_q > s[Min_q];$$
- The second constraint is a new constraint which prevents the search from selecting a subset dominated by s , *i.e.*,
$$\forall u \in P, \bigwedge_{q \in Q'} q_i(u) \leq s[Min_q] \Rightarrow selected_u = false.$$

where $s[Min_q]$ denotes the value assigned to Min_q in s , for each quality measure $q \in Q'$.

The second constraint immediately filters the domains of *selected* variables associated with subsets which are dominated by s , whereas the first constraint does not filter any domain when all upper bounds of Min_q variables are greater than $s[Min_q]$.

Example 8. In Fig. 11, domains of *selected* variables are not immediately filtered if we only add the first constraint $Min_{q_1} > 4 \vee Min_{q_2} > 4$. Indeed, when both upper bounds of Min_{q_1} and Min_{q_2} are greater than 4, this disjunctive constraint is not propagated: It is propagated only when the upper bound of one of these variables becomes lower than or equal to 4. As a comparison, the second constraint $\forall u \in P, (q_1(u) \leq 4 \wedge q_2(u) \leq 4) \Rightarrow selected_u = false$ allows us to remove *true* from the domains of $selected_{u_3}$ and $selected_{u_4}$.

Experimental Evaluation. In Table 6, we compare the three strategies for computing the Pareto front of non dominated solutions with $ECQ_{*,sum}$:

- The static approach of Wassenhove and Gelders (1980) denoted *Static*;
- The dynamic approach of Gavanelli (2002) denoted *Dynamic*;
- Our extension of *Dynamic* introduced in this section and denoted *Extended*.

We report results obtained with the best propagator according to the experimental comparison reported in Table 5, *i.e.*, $ECQ_{DL,sum}$ for (split,diameter), and $ECQ_{DL+,sum}$ for (frequency,size). We also report results obtained with *ILP*, using the static approach of Wassenhove and Gelders (1980). We do not report results of the full CP approaches (*FCP1* and *FCP2*) because they do not scale. For example, for the (size,frequency) criteria, *FCP2* is not able to solve ERP1 in less than one day using the *Static* strategy, whereas this instance is solved in less than one second with our global constraint.

Dynamic and *Extended* are very sensitive to ordering heuristics because they are very sensitive to the quality of the enumerated solutions: If every new solution is far from the Pareto front and dominates very few solutions then the search space is not much reduced by the dynamically added constraints and a lot of solutions are enumerated. Hence, for *Dynamic* and *Extended*, we adapt the ordering heuristic introduced by Knuth: We still search for an element $a \in S_E$ such that $\#cover_E(a)$ is minimal, but instead of branching first on subsets that maximize the quality measure, we branch first on subsets that maximize the number of dominated subsets in P .

Let us first compare *Dynamic* and *Extended* to evaluate the interest of adding the second constraint that filters *selected* variables. *Extended* explores fewer choice points and is clearly faster than *Dynamic*. In particular, it is able to solve four more instances than *Dynamic*.

For (split,diameter), *Static* is competitive with *Extended* for the small instances, but it is outperformed for larger instances such as ERP6, ERP7, or UCI6. This may come from the fact that the number of solutions computed by *Extended* is often close to the number of non dominated solutions: nbSol is equal to $\#s$ for three instances, and never greater than $4 * \#s$. This means that ordering heuristics are able to guide the search towards solutions that often belong to the Pareto front. All these solutions are computed by solving a single enumeration problem within a single search. As a comparison, *Static* always computes $2 * \#s$ solutions, and each of these solutions is obtained by solving a new optimization problem.

	#s	<i>ECQ Static</i>			<i>ECQ Dynamic</i>			<i>ECQ Extended</i>			<i>ILP</i>
		time	nodes	nbSol	time	nodes	nbSol	time	nodes	nbSol	time
(split,diameter)											
ERP1	1	0.2	57	2	0.1	191	3	0.1	127	3	0.5
ERP2	5	0.4	165	10	2.0	631	8	0.3	193	8	1.4
ERP3	2	0.3	70	4	2.3	459	2	0.2	62	2	1.5
ERP4	2	0.6	98	4	7.7	724	2	0.3	87	2	20.1
ERP5	3	1.4	128	6	157.2	3,488	3	0.9	85	3	27.4
ERP6	3	3.2	143	6	172.1	2,813	6	1.7	337	6	268.1
ERP7	2	81.1	175	4	-	-	-	42.9	452	4	-
UCI1	3	0.2	102	6	0.2	203	7	0.2	151	7	0.9
UCI2	3	0.8	650	6	1.3	2,523	11	3.7	2,515	11	231.8
UCI3	1	0.8	250	2	2.1	395	3	1.7	371	3	645.1
UCI4	5	3.2	418	10	571.2	12,457	12	4.4	805	12	-
UCI5	2	3.4	513	4	66.8	2,732	5	5.4	794	5	-
UCI6	4	428.1	518	8	-	-	-	151.5	563	10	-
(frequency,size)											
ERP1	7	0.3	162	14	0.2	228	18	0.1	174	18	1.0
ERP2	9	0.7	154	18	2.5	3,239	26	2.4	2,138	27	3.8
ERP3	10	1.1	213	20	2.1	1,694	31	1.4	1,202	28	6.3
ERP4	13	3.1	546	26	8.4	1,169	47	7.7	989	47	39.4
ERP5	13	12.9	362	26	76.1	17,288	48	48.8	4,087	47	89.0
ERP6	15	24.0	563	30	185.2	6,619	68	153.8	2,322	70	450.4
ERP7	17	826.5	2,698	34	-	-	-	-	-	-	-
UCI1	13	1.0	499	26	2.5	1489	67	1.3	752	69	8.1
UCI2	-	-	-	-	-	-	-	-	-	-	-
UCI3	11	368.5	18,523	22	-	-	-	1574.3	205,887	99	-
UCI4	14	322.4	55,457	28	3,077.0	713,914	68	3,092.9	701,011	66	-
UCI5	8	637.2	1,098,756	16	-	-	-	-	-	-	-
UCI6	-	-	-	-	-	-	-	-	-	-	-

Table 6: Comparison of the three strategies *Static*, *Dynamic*, and *Extended* with *ILP* to compute the Pareto front. For (split,diameter) (resp. (frequency,size)) we report results of $ECQ_{DL,sum}$ (resp. $ECQ_{DL+,sum}$) for the three strategies. #s is the number of non-dominated clusterings, time is the CPU time in seconds (or '-' when time exceeds 3,600 seconds), nodes is the number of choice points, and nbSol is the number of solutions found.

On (frequency,size), *Static* is the fastest approach for all instances but ERP1, and it scales much better: It is able to solve all instances but UCI2 and UCI6 in less than one hour, whereas *Extended* reaches the CPU time limit for ERP7, UCI2, UCI5, and UCI6. This may come from the fact that the number of solutions computed by *Extended* is often much larger than the number of non dominated solutions. For example, for UCI3, *Extended* computes 99 solutions, whereas the Pareto front only contains 11 non dominated solutions. For this instance, *Static* solves 22 optimization problems, and it is three times as fast as *Extended*.

As a conclusion, *Dynamic* is outperformed by *Extended*, and *Extended* and *Static* are complementary: *Extended* is more efficient for (split,diameter), and *Static* for (frequency,size).

In Table 6, we also report results of *ILP*. For (split,diameter), $ECQ_{DL,sum}$ is significantly faster than *ILP*: It is able to solve all instances whereas *ILP* fails at solving four instances. For (frequency,size), $ECQ_{DL+,sum}$ is also significantly faster than *ILP*: It is able to solve all instances but UCI2 and UCI6 whereas *ILP* fails at solving six instances.

7. Conclusion

We have introduced the *exactCover* global constraint for modelling exact cover problems, and we have introduced the *DL* propagator, that uses Dancing Links, and the *DL+* propagator, that exploits cover inclusions to strengthen *DL*. We have also extended *exactCover* to the case where the number of selected subsets is constrained to be equal to a given variable, and we have shown how to integrate a propagator designed for *atMostNValues* within *DL+*, thus allowing us to take benefit of the fact that the intersection graph is maintained by *DL+*.

We have experimentally evaluated our propagators on conceptual clustering problems, and we have compared them with state-of-the-art declarative approaches, showing that our approach is competitive with them for mono-criterion problems, and outperforms them for multi-criteria problems.

As further works, we plan to extend our global constraint to allow the user to soften non-overlapping or coverage constraints which may be relevant in some applications, as pointed out by Ouali et al. (2016). A convenient and flexible extension is to add $\#S$ integer variables to the input parameters: Each of these variables is associated with a different element and is constrained to be equal to the number of selected subsets that cover this element. This way, we allow the user to constrain in many different ways the coverage and the overlapping of the selected subsets. For instance, we may easily model the constraint of allowing at most $x\%$ of elements to overlap or allowing few elements not to be covered.

Also, we plan to study the extension of our work to other optimization criteria for conceptual clustering problems. In the experiments reported in Section 6, we have considered the case where we maximize a variable which is constrained to be equal to the smallest quality among the selected formal concepts. This aggregation function ensures a minimal quality over all clusters. Aribi, Ouali, Lebbah, and Loudni (2018) consider other aggregation functions for evaluating the quality of a clustering, and they show that the *Ordered Weighted Average* function (that returns a weighted sum of qualities) ensures equity by weighting quality measures according to their rank. This kind of aggregation function hardly scales with CP, and it would be interesting to design a specific propagator for it.

Acknowledgments. We thank Jean-Guillaume Fages and Charles Prud'homme for their help on Choco, Dao et al. (2015) for sending us their Gecode code, and Ouali et al. (2016) for sending us UCI instances. We also thank Ian Davidson for an enriching discussion on clustering problems and their relation with exact cover problems.

References

Aribi, N., Ouali, A., Lebbah, Y., & Loudni, S. (2018). Equitable conceptual clustering using OWA operator. In *Advances in Knowledge Discovery and Data Mining - 22nd*

- Pacific-Asia Conference, PAKDD 2018, Melbourne, VIC, Australia, June 3-6, 2018, Proceedings, Part III*, pp. 465–477.
- Babaki, B., Guns, T., & Nijssen, S. (2014). Constrained clustering using column generation. In *Integration of AI and OR Techniques in Constraint Programming - 11th International Conference, CPAIOR 2014*, Vol. 8451 of *Lecture Notes in Computer Science*, pp. 438–454. Springer.
- Barnhart, C., Cohn, A. M., Johnson, E. L., Klabjan, D., Nemhauser, G. L., & Vance, P. H. (2003). *Airline Crew Scheduling*, pp. 517–560. Springer US.
- Beldiceanu, N. (2001). Pruning for the minimum constraint family and for the number of distinct values constraint family. In Walsh, T. (Ed.), *Principles and Practice of Constraint Programming — CP 2001*, pp. 211–224, Berlin, Heidelberg. Springer Berlin Heidelberg.
- Bessière, C., Hebrard, E., Hnich, B., Kiziltan, Z., & Walsh, T. (2006). Filtering algorithms for the nvalueconstraint. *Constraints*, 11(4), 271–293.
- Carpineto, C., & Romano, G. (1993). GALOIS: an order-theoretic approach to conceptual clustering. In *Machine Learning, Proceedings of the Tenth International Conference, University of Massachusetts, Amherst, MA, USA, June 27-29, 1993*, pp. 33–40. Morgan Kaufmann.
- Chabert, M. (2018). *Constraint Programming Models for Conceptual Clustering: Application to an ERP Configuration Problem*. Theses, Université de Lyon - INSA Lyon.
- Chabert, M., & Solnon, C. (2017). Constraint programming for multi-criteria conceptual clustering. In *Principles and Practice of Constraint Programming - 23rd International Conference, CP, Proceedings*, Vol. 10416 of *Lecture Notes in Computer Science*, pp. 460–476. Springer.
- Dao, T., Duong, K., & Vrain, C. (2017). Constrained clustering by constraint programming. *Artif. Intell.*, 244, 70–94.
- Dao, T.-B.-H., Lesaint, W., & Vrain, C. (2015). Clustering conceptuel et relationnel en programmation par contraintes. In *JFPC 2015*, Bordeaux, France.
- Davies, J., & Bacchus, F. (2011). Solving MAXSAT by solving a sequence of simpler SAT instances. In *Principles and Practice of Constraint Programming - 17th International Conference, CP. Proceedings*, Vol. 6876 of *Lecture Notes in Computer Science*, pp. 225–239. Springer.
- Duong, K.-C. (2014). *Constrained clustering by constraint programming*. Theses, Université d’Orléans.
- Fages, J., & Lapègue, T. (2014). Filtering atmostnvalue with difference constraints: Application to the shift minimisation personnel task scheduling problem. *Artif. Intell.*, 212, 116–133.
- Fisher, D. H. (1987). Knowledge acquisition via incremental conceptual clustering. *Mach. Learn.*, 2(2), 139–172.
- Floch, A., Wolinski, C., & Kuchcinski, K. (2010). Combined scheduling and instruction selection for processors with reconfigurable cell fabric. In *21st IEEE International*

- Conference on Application-specific Systems Architectures and Processors, ASAP 2010*, pp. 167–174.
- Ganter, B., & Wille, R. (1997). *Formal Concept Analysis: Mathematical Foundations*. Springer.
- Gavanelli, M. (2002). An algorithm for multi-criteria optimization in csps. In *Proceedings of the 15th European Conference on Artificial Intelligence, ECAI'02*, pp. 136–140, Amsterdam, The Netherlands, The Netherlands. IOS Press.
- Gebser, M., Kaufmann, B., & Schaub, T. (2012). Conflict-driven answer set solving: From theory to practice. *Artif. Intell.*, 187, 52–89.
- Gecode (2005). *generic constraint development environment*.
- Guns, T. (2015). Declarative pattern mining using constraint programming.. *Constraints*, 20(4), 492–493.
- Guns, T., Nijssen, S., & Raedt, L. D. (2011). Itemset mining: A constraint programming perspective. *Artif. Intell.*, 175(12-13), 1951–1983.
- Guns, T., Nijssen, S., & Raedt, L. D. (2013). k-pattern set mining under constraints. *IEEE Trans. Knowl. Data Eng.*, 25(2), 402–418.
- Halldórsson, M. M., & Radhakrishnan, J. (1997). Greed is good: Approximating independent sets in sparse and bounded-degree graphs. *Algorithmica*, 18(1), 145–163.
- Hjort Blindell, G. (2018). *Universal Instruction Selection*. Ph.D. thesis, KTH Royal Institute of Technology in Stockholm.
- Jaccard, P. (1901). Distribution de la flore alpine dans le bassin des Dranses et dans quelques régions voisines. *Bulletin de la Société Vaudoise des Sciences Naturelles*, 37, 241 – 272.
- Junttila, T., & Kaski, P. (2010). Exact cover via satisfiability: An empirical study. In *Principles and Practice of Constraint Programming – CP 2010*, pp. 297–304. Springer.
- Karp, R. M. (1972). *Reducibility among Combinatorial Problems*, pp. 85–103. Springer.
- Kaski, P., & Pottonen, O. (2008). libexact user s guide, version 1.0. *HIIT Technical Reports*, 187.
- Khiari, M., Boizumault, P., & Crémilleux, B. (2010). Constraint programming for mining n-ary patterns. In *Principles and Practice of Constraint Programming - CP 2010 - 16th International Conference, CP 2010, St. Andrews, Scotland, UK, September 6-10, 2010. Proceedings*, pp. 552–567.
- Knuth, D. E. (2000). Dancing links. *Millenial Perspectives in Computer Science*, 18, 4.
- Lazaar, N., Lebbah, Y., Loudni, S., Maamar, M., Lemièrè, V., Bessière, C., & Boizumault, P. (2016). A global constraint for closed frequent pattern mining. In *Principles and Practice of Constraint Programming - 22nd International Conference, CP 2016, Toulouse, France, September 5-9, 2016, Proceedings*, pp. 333–349.
- Michalski, R. S., & Stepp, R. E. (1983). *Learning from Observation: Conceptual Clustering*, pp. 331–363. Springer Berlin Heidelberg.

- Mingozzi, A., Boschetti, M. A., Ricciardelli, S., & Bianco, L. (1999). A set partitioning approach to the crew scheduling problem. *Operations Research*, 47(6), 873–888.
- Ouali, A., Loudni, S., Lebbah, Y., Boizumault, P., Zimmermann, A., & Loukil, L. (2016). Efficiently finding conceptual clustering models with integer linear programming. In *Proceedings of the Twenty-Fifth International Joint Conference on Artificial Intelligence, IJCAI 2016, New York, NY, USA, 9-15 July 2016*, pp. 647–654.
- Pachet, F., & Roy, P. (1999). Automatic generation of music programs. In Jaffar, J. (Ed.), *Principles and Practice of Constraint Programming – CP’99*, pp. 331–345, Berlin, Heidelberg. Springer Berlin Heidelberg.
- Pasquier, N., Bastide, Y., Taouil, R., & Lakhal, L. (1999). Discovering frequent closed itemsets for association rules. In *Database Theory - ICDT ’99, 7th International Conference*, pp. 398–416.
- Prud’homme, C., Fages, J.-G., & Lorca, X. (2016). *Choco Documentation*. TASC, INRIA Rennes, LINA CNRS UMR 6241, COSLING S.A.S.
- Raedt, L. D., Guns, T., & Nijssen, S. (2008). Constraint programming for itemset mining. In *Proceedings of the 14th ACM SIGKDD International Conference on Knowledge Discovery and Data Mining, Las Vegas, Nevada, USA, August 24-27, 2008*, pp. 204–212.
- Rasmussen, M. S. (2011). *Optimisation-Based Solution Methods for Set Partitioning Models*. Ph.D. thesis, Technical University of Denmark.
- Rossi, F., Beek, P. v., & Walsh, T. (2006). *Handbook of Constraint Programming (Foundations of Artificial Intelligence)*. Elsevier Science Inc., New York, NY, USA.
- Rnnberg, E., & Larsson, T. (2014). All-integer column generation for set partitioning: Basic principles and extensions. *European Journal of Operational Research*, 233(3), 529 – 538.
- Schaus, P., Aoga, J. O. R., & Guns, T. (2017). Coversize: A global constraint for frequency-based itemset mining. In Beck, J. C. (Ed.), *Principles and Practice of Constraint Programming*, pp. 529–546, Cham. Springer International Publishing.
- Schaus, P., & Hartert, R. (2013). *Multi-Objective Large Neighborhood Search*, pp. 611–627. Springer Berlin Heidelberg, Berlin, Heidelberg.
- Ugarte, W., Boizumault, P., Crémilleux, B., Lepailleur, A., Loudni, S., Plantevit, M., Raïssi, C., & Soulet, A. (2017). Skypattern mining: From pattern condensed representations to dynamic constraint satisfaction problems. *Artif. Intell.*, 244, 48–69.
- Uno, T., Asai, T., Uchida, Y., & Arimura, H. (2004). *An Efficient Algorithm for Enumerating Closed Patterns in Transaction Databases*, pp. 16–31. Springer Berlin Heidelberg.
- Wassenhove, L. N. V., & Gelders, L. F. (1980). Solving a bicriterion scheduling problem. *European Journal of Operational Research*, 4(1), 42 – 48.
- Zaghrouti, A., Soumis, F., & Hallaoui, I. E. (2014). Integral simplex using decomposition for the set partitioning problem. *Operations Research*, 62(2), 435–449.