



HAL
open science

On the Parameter-dependent H^∞ control for MEMS gyroscopes: synthesis and analysis

Fabricio Saggin, Jorge Ayala-Cuevas, Anton Korniienko, Gérard Scorletti

► To cite this version:

Fabricio Saggin, Jorge Ayala-Cuevas, Anton Korniienko, Gérard Scorletti. On the Parameter-dependent H^∞ control for MEMS gyroscopes: synthesis and analysis. [Research Report] Ecole Centrale Lyon; Laboratoire Ampère. 2020. hal-02505581v2

HAL Id: hal-02505581

<https://hal.science/hal-02505581v2>

Submitted on 17 Mar 2020 (v2), last revised 26 Apr 2020 (v3)

HAL is a multi-disciplinary open access archive for the deposit and dissemination of scientific research documents, whether they are published or not. The documents may come from teaching and research institutions in France or abroad, or from public or private research centers.

L'archive ouverte pluridisciplinaire **HAL**, est destinée au dépôt et à la diffusion de documents scientifiques de niveau recherche, publiés ou non, émanant des établissements d'enseignement et de recherche français ou étrangers, des laboratoires publics ou privés.

On the Parameter-dependent H_∞ control for MEMS gyroscopes: synthesis and analysis

Fab ricio Saggin, Jorge Ayala-Cuevas, Anton Korniienko,
G rard Scorletti

Amp re laboratory UMR CNRS 5005
Ecole Centrale de Lyon, Ecully, France

Abstract

This document provides further details on the paper ‘‘Parameter-dependent H_∞ control for MEMS gyroscopes: synthesis and analysis’’. These details concern the choice of the weighting function parameters and the system model in pseudo-continuous time (PCT).

1 Background and objectives

The to-be-controlled system is the drive mode of a MEMS, whose model, in continuous-time (CT), is given by:

$$G_{\omega_0}(s) = \frac{y(s)}{u(s)} = \frac{k}{(s/\omega_0)^2 + (s/\omega_0)/Q + 1}, \quad (1)$$

where y is the displacement of the drive mode, u is the input force, k is the static gain, Q is the quality factor, and ω_0 is the resonance frequency (in rad/s), which slowly ranges $[\omega_{0min}, \omega_{0max}]$.

The control objectives are:

- tracking of a sinusoidal reference signal y_r of frequency ω_0 ;
- minimization of the control effort u ;
- robust stability.

Moreover, to ensure high performance, the controller depends on ω_0 . In Saggin et al. (2020), this problem is solved either for an analog or for

a digital implementation of the ω_0 -dependent controller. The solutions are based on time/frequency normalization and on the H_∞ synthesis.

In this report, we detail the choice of the H_∞ criterion, more specifically, the choice of the weighting function parameters, which is presented in Section 2. For the specific problem of a digital implementation of the controller, its design is based on the gyroscope model in the pseudo-continuous time (PCT). This model is developed in Section 3.

2 Choice of the weighting function parameters

In the H_∞ synthesis, the control specifications are expressed through the choice of the weighting functions and of the weighted closed-loop transfer functions. We consider the criterion presented in Fig. 1, where we define the tracking error $\varepsilon = y_r - y$, and include an input disturbance d , a measurement noise n and weighting functions $W_{\omega_0}^x$.

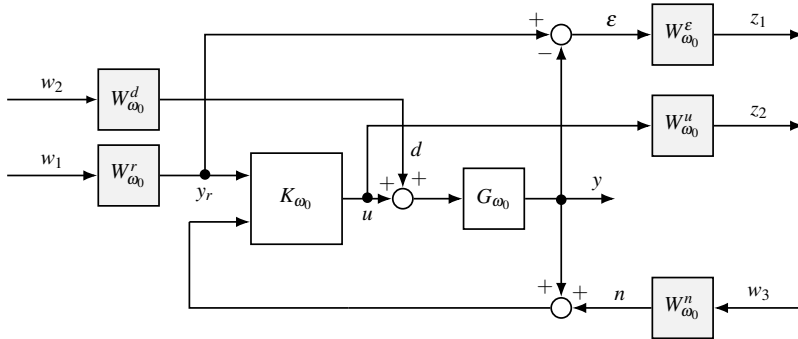


Figure 1: H_∞ criterion.

The H_∞ problem is then: given a performance level $\gamma > 0$, compute a controller K_{ω_0} , if there is any, such that $\|P_{\omega_0} \star K_{\omega_0}\|_\infty < \gamma$. If this problem has a solution for $\gamma = 1$, then the following H_∞ criterion is also ensured:

$$\left\| \begin{array}{ccc} W_{\omega_0}^\varepsilon T_{y_r \rightarrow \varepsilon} W_{\omega_0}^r & W_{\omega_0}^\varepsilon T_{d \rightarrow \varepsilon} W_{\omega_0}^d & W_{\omega_0}^\varepsilon T_{n \rightarrow \varepsilon} W_{\omega_0}^n \\ W_{\omega_0}^u T_{y_r \rightarrow u} W_{\omega_0}^r & W_{\omega_0}^u T_{d \rightarrow u} W_{\omega_0}^d & W_{\omega_0}^u T_{n \rightarrow u} W_{\omega_0}^n \end{array} \right\|_\infty < 1. \quad (2)$$

Then, with the following weighting functions

$$W_{\omega_0}^\varepsilon(s) = \frac{1}{M_\varepsilon} \frac{(s/\omega_0)^2 + (s/\omega_0)\alpha_\varepsilon + 1}{(s/\omega_0)^2 + (s/\omega_0)\alpha_\varepsilon A_\varepsilon/M_\varepsilon + 1},$$

$$W_{\omega_0}^u(s) = M_u \frac{(s/\omega_0)^2 + (s/\omega_0) \alpha_u A_u / M_u + 1}{(s/\omega_0)^2 + (s/\omega_0) \alpha_u + 1},$$

$$W_{\omega_0}^r(s) = k_r, \quad W_{\omega_0}^d(s) = k_d \quad \text{and} \quad W_{\omega_0}^n(s) = k_n,$$

the choice of the parameters $A_\varepsilon \leq 1$, $M_\varepsilon \geq 1$, α_ε , $A_u \leq 1$, $M_u \geq 1$, α_u , k_r , k_d and k_n ensures the desired specifications, as follows (Skogestad and Postlethwaite, 2001):

- *Reference tracking:* (2) implies that

$$\forall \omega, \quad |T_{y_r \rightarrow \varepsilon}(j\omega)| \leq \frac{1}{|W_{\omega_0}^\varepsilon(j\omega)W_{\omega_0}^r(j\omega)|}, \quad (3)$$

which ensures the tracking of the sinusoidal reference signal y_r by y with a frequency equal to ω_0 , error bounded by A_ε/k_r and convergence speed constrained by α_ε .

- *Control limitation:* (2) implies that

$$\forall \omega, \quad |T_{y_r \rightarrow u}(j\omega)| \leq \frac{1}{|W_{\omega_0}^u(j\omega)W_{\omega_0}^r(j\omega)|}, \quad (4)$$

$$\forall \omega, \quad |T_{d \rightarrow u}(j\omega)| \leq \frac{1}{|W_{\omega_0}^u(j\omega)W_{\omega_0}^d(j\omega)|}, \quad (5)$$

$$\forall \omega, \quad |T_{n \rightarrow u}(j\omega)| \leq \frac{1}{|W_{\omega_0}^u(j\omega)W_{\omega_0}^n(j\omega)|}, \quad (6)$$

which constrains by α_u the bandwidth of the controller and by A_u (for frequencies close to ω_0) and M_u (for low and high frequencies) the control signal amplitude and, therefore, its power.

- *Robust stability:* finally, (2) also implies

$$\forall \omega, \quad |T_{d \rightarrow \varepsilon}(j\omega)| \leq \frac{1}{|W_{\omega_0}^\varepsilon(j\omega)W_{\omega_0}^d(j\omega)|} \quad (7)$$

$$\text{and } \forall \omega, \quad |T_{n \rightarrow \varepsilon}(j\omega)| \leq \frac{1}{|W_{\omega_0}^\varepsilon(j\omega)W_{\omega_0}^n(j\omega)|},$$

which are respectively used to avoid pole-zero compensations and to enforce a lower bound on the modulus margin \mathcal{M} , which is defined as $\mathcal{M} \triangleq 1/\|T_{n \rightarrow \varepsilon}\|_\infty$. Moreover,

$$\|T_{n \rightarrow \varepsilon}\|_\infty < M_\varepsilon/k_n. \quad (8)$$

Hence, (2) also implies $\mathcal{M} > k_n/M_\varepsilon$.

Please note that the weighting functions are parameterized by ω_0 , expressing the control specifications in continuous-time. Nevertheless, the above discussion also holds for the weighting functions in a normalized or pseudo-continuous space.

In Saggin et al. (2020, Section 6), the control specification are:

1. track a reference signal $y_r(t) = Y_r \sin(\omega_0 t)$ with an error $\varepsilon(t) = y_r(t) - y(t)$ such that $|\varepsilon(t)| < 10^{-4} \cdot Y_r$ in steady-state;
2. the control signal amplitude is less than $0.02 \cdot Y_r$ in steady-state;
3. the closed-loop system is stable and has a modulus margin $\mathcal{M} > 1/2$.

The first control specification demands $|T_{y_r \rightarrow \varepsilon}(j\omega_0)| < 10^{-4}$, which is bounded by A_ε/k_r , see (3). Then, we choose $k_r = 1$ and $A_\varepsilon = 5 \cdot 10^{-5}$.

The third control specification demands $\|T_{n \rightarrow \varepsilon}\|_\infty < 2$, which is bounded by M_ε/k_n , see (8). Then, we choose $M_\varepsilon = 2$ and $k_n = 1$.

To avoid pole-zero compensation, $|T_{d \rightarrow u}|$ has to be bounded where the plant presents a resonance peak. Then, we choose $k_d = 0.05$, see (7).

We choose $M_u = 400$ to minimize the control signal amplitude at low and high frequencies, see (4), (5) and (6). Moreover, we choose $A_u = 0.004$ to allow high controller gains around ω_0 . Note that the control signal amplitude at ω_0 (second specification) is structurally given by $Y_r/|G(j\omega_0)|$ and cannot be modified by the choice of the weighting functions.

Finally, α_ε and α_u are tuned ($\alpha_\varepsilon = 0.2$ and $\alpha_u = 1632$) to select adequate response times.

3 Details on the PCT model

Here, we intend to provide further details on G_{ω_0} , see (1), when analyzing its equivalent discrete-time (DT) model, $G_{\omega_0}^d$. We highlight that the latter one takes the presence of the zero-order holder into account.

For $Q > 1$, the equivalent DT system $G_{\omega_0}^d$, with sampling period T_s , is given by

$$G_{\omega_0}^d(z) = k \frac{b_1 z + b_2}{z^2 + a_1 z + a_2}$$

with

$$\begin{aligned}
a_1 &= -2e^{-\omega_0 T_s/(2Q)} \cos(\omega_0 T_s) \\
a_2 &= e^{-\omega_0 T_s/Q} \\
b_1 &= 1 - e^{-\omega_0 T_s/(2Q)} \left(\frac{\sin(\omega_0 T_s)}{\sqrt{4Q^2 - 1}} + \cos(\omega_0 T_s) \right) \\
b_2 &= e^{-\omega_0 T_s/Q} + e^{-\omega_0 T_s/(2Q)} \left(\frac{\sin(\omega_0 T_s)}{\sqrt{4Q^2 - 1}} - \cos(\omega_0 T_s) \right)
\end{aligned}$$

Then, by applying the bilinear transform, we obtain

$$G_{\varpi_0}^p(s_p) = k \frac{(1 - s_p T_s/2)(1 + s_p z_1)}{s_p^2 + \varpi_0 s_p/Q + \varpi_0^2}$$

with

$$\begin{aligned}
\varpi_0^2 &= \frac{4}{T_s^2} \frac{1 - 2e^{-\omega_0 T_s/(2Q)} \cos(\omega_0 T_s) + e^{-\omega_0 T_s/Q}}{1 + 2e^{-\omega_0 T_s/(2Q)} \cos(\omega_0 T_s) + e^{-\omega_0 T_s/Q}} \\
\frac{\varpi_0}{Q} &= \frac{2}{T_s} \frac{1 - e^{-\omega_0 T_s/Q}}{1 + 2e^{-\omega_0 T_s/(2Q)} \cos(\omega_0 T_s) + e^{-\omega_0 T_s/Q}} \\
z_1 &= \frac{T_s}{2} \frac{1 - 2e^{-\omega_0 T_s/(2Q)} \frac{1}{\sqrt{4Q^2 - 1}} \sin(\omega_0 T_s) - e^{-\omega_0 T_s/Q}}{1 - 2e^{-\omega_0 T_s/(2Q)} \cos(\omega_0 T_s) + e^{-\omega_0 T_s/Q}}
\end{aligned}$$

For $Q \gg 1$, we may approximate $e^{-\omega_0 T_s/(2Q)} \approx 1$ and $\xi^2 \approx 0$. Thus,

$$\begin{aligned}
\varpi_0^2 &\approx \frac{4}{T_s^2} \frac{1 - \cos(\omega_0 T_s)}{1 + \cos(\omega_0 T_s)} \implies \varpi_0 \approx \frac{2}{T_s} \tan\left(\frac{\omega_0 T_s}{2}\right), \\
\frac{\varpi_0}{Q} &\approx \frac{\omega_0}{(2Q)(1 + \cos(\omega_0 T_s))} \implies Q \approx Q \operatorname{sinc}(\omega_0 T_s) \\
\text{and } z_1 &\approx \frac{T_s}{2} \frac{-\sin(\omega_0 T_s)}{(2Q)(1 - \cos(\omega_0 T_s))} = \frac{1}{2Q\varpi_0}.
\end{aligned}$$

References

- Saggin, F., Ayala-Cueva, J., Kornienko, A., and Scorletti, G. (2020). Parameter-dependent H_∞ control for MEMS gyroscopes: synthesis and analysis. In *IFAC World Conference*. IFAC.
- Skogestad, S. and Postlethwaite, I. (2001). *Multivariable feedback control - analysis and design*. John Wiley & Sons, second edition.