



HAL
open science

Radio Triggered Asynchronous Protocol for ULP Sensor Network Based on a UWB Sub-GHz communication Link

Abderrahmane Haloua, N. Dehaese, R. Vauche, Jean Gaubert, Emmanuel Bergeret

► **To cite this version:**

Abderrahmane Haloua, N. Dehaese, R. Vauche, Jean Gaubert, Emmanuel Bergeret. Radio Triggered Asynchronous Protocol for ULP Sensor Network Based on a UWB Sub-GHz communication Link. Sensors Energy harvesting, wireless Network and Smart Objects Conference, Nov 2017, Gardanne, France. hal-02470052

HAL Id: hal-02470052

<https://hal.science/hal-02470052>

Submitted on 7 Feb 2020

HAL is a multi-disciplinary open access archive for the deposit and dissemination of scientific research documents, whether they are published or not. The documents may come from teaching and research institutions in France or abroad, or from public or private research centers.

L'archive ouverte pluridisciplinaire **HAL**, est destinée au dépôt et à la diffusion de documents scientifiques de niveau recherche, publiés ou non, émanant des établissements d'enseignement et de recherche français ou étrangers, des laboratoires publics ou privés.

RADIO TRIGGERED ASYNCHRONOUS PROTOCOL FOR ULP SENSOR NETWORK BASED ON A UWB SUB-GHz COMMUNICATION LINK

A. Haloua, N. Dehaese, R. Vauché, J. Gaubert and E. Bergeret

IM2NP

Marseille, FRANCE

1) Context / Study motivation

UWB impulse radios show interesting features for the RF transmission link. The more interesting characteristics of such RF front-end for low power sensor networks are (i) very low energy per bit consumption, (ii) very simple architecture leading in low cost deployment, (iii) capability to achieve high data rates. In addition, the use of the sub-GHz UWB channel allows to reduce the path loss in comparison with traditional UWB channels using high frequency bands and also to benefit from better hardware performances because active components are used far away their cutoff frequencies. In this paper we investigate the sub-GHz UWB RF link capabilities regarding energy consumption in low power sensor networks. The sub-GHz UWB RF link is used in a Radio triggered asynchronous protocol and the energy consumption of the corresponding network is modeled as a function of the number of network nodes and of the network activity.

2) Description of approach and techniques

Sub-GHz UWB radio link optimization

Peak power magnitude and average power magnitude of UWB communications are regulated by FCC which sets a peak value of -7.9dBm and an average value of -49.1dBm/MHz for the PSD in the sub-GHz band [1]. These regulations limit the peak to peak magnitude of the emitted wave lower than 0.9V on a 50Ω antenna when data rates higher than 100kb/s are achieved [2]. This limitation can be exceeded by emitting UWB pulses in a burst mode with long interval idle periods in order to achieve a low mean bit rate [3]. In this study a peak bit rate of 100Mbit/s is used during bursts of $1\mu\text{s}$ duration while 1ms idle periods allows achieving a mean data rate of 100kb/s with 0.9V emitted magnitude according to FCC regulation. Moreover this burst emission mode allows power to be saved thanks to a very efficient duty cycling of the radio front-end.

Radio triggered asynchronous protocol using sub-GHz UWB radio link

The Radio link presented in the last section allows transmission of 100bits packets with an energy efficient method. It can be used in a radio triggered asynchronous protocol for achieving Ultra Low Power sensor networks. The proposed data exchange protocol between two network nodes is depicted in Fig 1. To save power, data exchange is initiated with a wake-up radio using a passive receiver able to achieve very low power consumption [4]. The wake-up signal is a 433MHz continuous wave which duration can be lower than $10\mu\text{s}$ when short communication range are targeted. Indeed, such passive wake up receivers exhibits turn on times which increase with the communication range.

The wake-up signal turns on all the sensor nodes in the vicinity of the emitter node. Then the Request To Send (RTS) signal emitted by the sub-GHz UWB radio is used to shut down all the nodes excepting the destination node which emits a Clear To Send (CTS) with its main radio after 1ms . This delay corresponds to the idle time necessary to comply with UWB regulation. After the data and the Acknowledgement exchange, the network lies in the low power wake-up mode.

Power consumption modelling of Radio triggered asynchronous protocol using sub GHz radio link

To investigate the potentialities of such communication protocol, we developed an energy consumption model of the sensor network. The sensor node architecture is given in Fig 2. It includes a sub-GHz UWB main radio, a 433MHz wake-up radio with a passive receiver, a low power microcontroller, sensors and an interface module which enables the data transmission between the high data rate UWB receiver and the microcontroller. The microcontroller allows several power consumption modes regarding used sub-units and clock frequency [5]. The asynchronous protocol allows the use of the most saving power mode during the long inactivity periods in the network, limiting power hungry microcontroller modes activities only when bursts of data are exchanged. Table 1 summarizes the power consumption of the different constitutive blocks of the sensor node. Excepting for the microcontroller and the wake-up radio transmitter, the values used in our modelling are based on state of the art published values. Finally, knowing the power consumption of each constitutive blocks and the data exchange protocol schedule given in Fig 1, it is possible to compute the power consumption of the sensor network as a function of the number of its nodes and its activity rate.

3) Results / Conclusions / Perspectives

The model presented in the last section has been used to study the power consumption in a sensor network using the proposed Radio triggered asynchronous protocol with a sub-GHz UWB radio link. Fig 3 shows contributions regarding energy consumption of hardware components in the active mode and in the watch mode for a 20 nodes sensor network as a function of the network activity. We can note that using an UWB sub-GHz communication link the RF communication power budget remains low in comparison with other hardware power budgets even for high network activity rates. We can also note that outside high activities rate in the network, the wake-up radio receiver is one of the major contributor in energy consumption even if a passive Wake-Up Radio receiver with a very low power consumption has been used in this study.

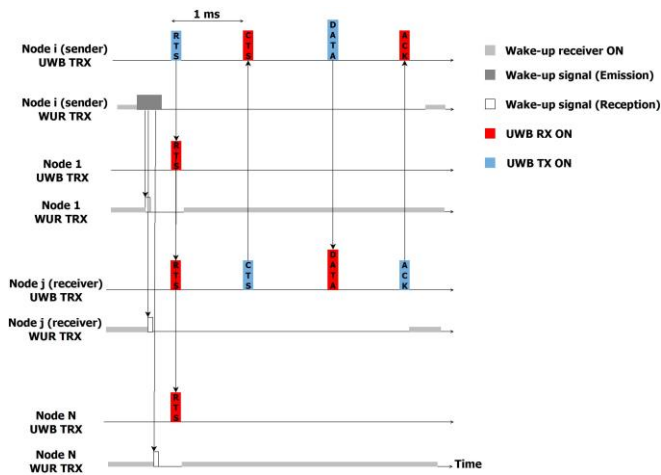


Figure 1- Timing of the proposed exchange protocol

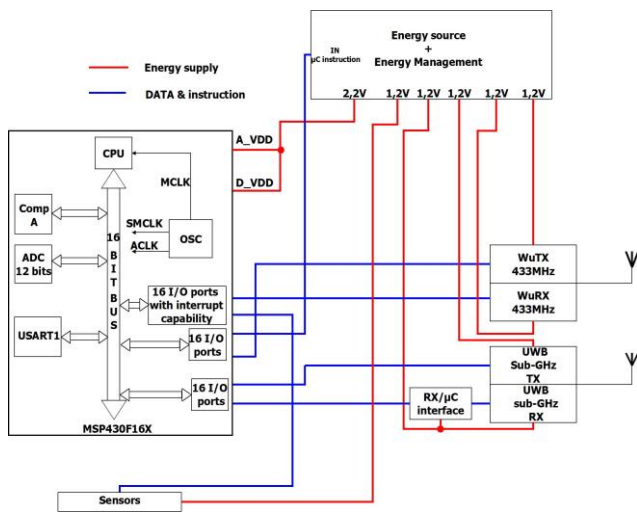


Figure 2- Sensor node's architecture

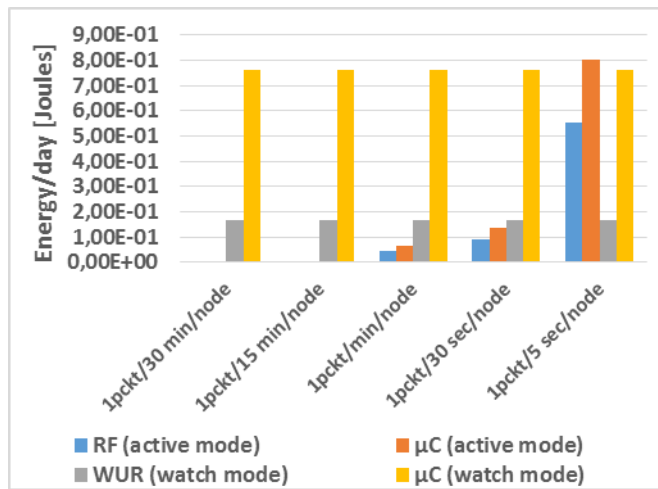


Figure 3- Energy consumption by day of hardware components as function of network activity for 20 nodes sensor network

Function	Power consumption	ref
Sub-GHz UWB TX	0.1mW @ 1Mbps	[6]
Sub-GHz UWB RX	0.6mW @ 1Mbps	[6]
Wake-up transceiver	VCO=2.16μA PA=7.7mA	*
Wake-up receiver	98nW	[4]
CPU MSP430f16 microcontroller	Active mode : 330μA @ 1MHz LPM0 :50 μA @ 1MHz LPM2 :11μA LPM3 :1,1μA LPM4 :0,2μA	[5]
ADC 12bit	0,65mA @ VDD=2,2V	[5]
CompA	25μA @ VDD=2,2V	[5]

Table 1- Power consumption of the sensor node's hardware components (* : custom design in a 130nm CMOS technology base on architecture published in [7] [8])

REFERENCES:

- [1] Federal Communications Commission, "FCC rules and regulations," Part 15, July 2008.
- [2] A. Haloua, R. Vauche, N. Dehaese and J. Gaubert, "A fully digital Ultra-wide band sub-GHz pulse generator," 2017 15th IEEE International New Circuits and Systems Conference (NEWCAS), Strasbourg, 2017, pp. 341-344.
- [3] R. Vauche, S. Bourdel, J. Gaubert, N. Dehaese and H. Barthelemy, "Emitters and Receivers for Impulse Radio Ultra-Wideband and Their Healthcare Applications," 2015 IEEE International Conference on Ubiquitous Wireless Broadband (ICUWB), Montreal, QC, 2015, pp. 1-5.
- [4] N. E. Roberts and D. D. Wentzloff, "A 98nW wake-up radio for wireless body area networks," 2012 IEEE Radio Frequency Integrated Circuits Symposium, Montreal, QC, 2012, pp. 373-376.
- [5] Texas Instruments, "mixed signal microcontroller," MSP430F15x, MSP430F16x, MSP430F161x datasheet, Oct 2002 [Revised 2011].
- [6] L. Wang, C. H. Heng and Y. Lian, "A sub GHz mostly digital BPSK IR UWB transceiver," 2015 IEEE International Symposium on Circuits and Systems (ISCAS), Lisbon, 2015, pp. 1242-1245.
- [7] M. S. Jahan and J. H. Holleman, "An ultra-low-power 400 MHz VCO for MICS band application," International Conference on Electrical & Computer Engineering (ICECE 2010), Dhaka, 2010, pp. 318-321.
- [8] T. Range, "300MHz to 450MHz High-Efficiency, Crystal-Based + 13dBm ASK Transmitter," MAX7044 datasheet, Apr 2017