



HAL
open science

Effective model for elastic waves propagating in a substrate supporting a dense array of plates/beams with flexural resonances

Jean-Jacques Marigo, Kim Pham, Agnès Maurel, Sebastien Guenneau

► To cite this version:

Jean-Jacques Marigo, Kim Pham, Agnès Maurel, Sebastien Guenneau. Effective model for elastic waves propagating in a substrate supporting a dense array of plates/beams with flexural resonances. 2020. hal-02441350

HAL Id: hal-02441350

<https://hal.science/hal-02441350v1>

Preprint submitted on 15 Jan 2020

HAL is a multi-disciplinary open access archive for the deposit and dissemination of scientific research documents, whether they are published or not. The documents may come from teaching and research institutions in France or abroad, or from public or private research centers.

L'archive ouverte pluridisciplinaire **HAL**, est destinée au dépôt et à la diffusion de documents scientifiques de niveau recherche, publiés ou non, émanant des établissements d'enseignement et de recherche français ou étrangers, des laboratoires publics ou privés.

Effective model for elastic waves propagating in a substrate supporting a dense array of plates/beams with flexural resonances

Jean-Jacques Marigo

*Laboratoire de Mécanique des solides, Ecole Polytechnique,
Route de Saclay, 91120 Palaiseau, France*

Kim Pham

*IMSIA, ENSTA ParisTech - CNRS - EDF - CEA, Université Paris-Saclay,
828 Bd des Maréchaux, 91732 Palaiseau, France*

Agnès Maurel

*Institut Langevin, ESPCI ParisTech, CNRS,
1 rue Jussieu, Paris 75005, France*

Sébastien Guenneau

Aix Marseille Univ, CNRS, Centrale Marseille, Institut Fresnel, Marseille, France

Abstract

We consider the effect of an array of plates or beams over a semi-infinite elastic ground on the propagation of elastic waves hitting the interface. The plates/beams are slender bodies with flexural resonances at low frequencies able to perturb significantly the propagation of waves in the ground. An effective model is obtained using asymptotic analysis and homogenization techniques, which can be expressed in terms of the ground alone with effective dynamic (frequency-dependent) boundary conditions of the Robin's type. For an incident plane wave at oblique incidence, the displacement fields and the reflection coefficients are obtained in closed forms and their validity is inspected by comparison with direct numerics in a two-dimensional setting.

Keywords: asymptotic analysis; elastic waves; metamaterials; metasurfaces
2010 MSC: 00-01, 99-00

1. Introduction

2 We are interested in wave propagation in a semi-infinite elastic substrate supporting a perio-
3 dic and dense array of thin or slender bodies. This is the canonic idealized configuration used
4 to illustrate the problem of "site-city interaction". Such a problem, recent on the seismology
5 history scale, aims to account for the urban environment as a factor modifying the seismic ground
6 motion. Starting in the 19th century, the interest was primarily focused on the motion of the soil
7 elicited by static or dynamic sources being concentrated or distributed on the free surface in the
8 absence of buildings. These studies have led to important results as the Lamb's problem [1, 2].
9 Then, more realistic configurations have been considered using approximate models to predict

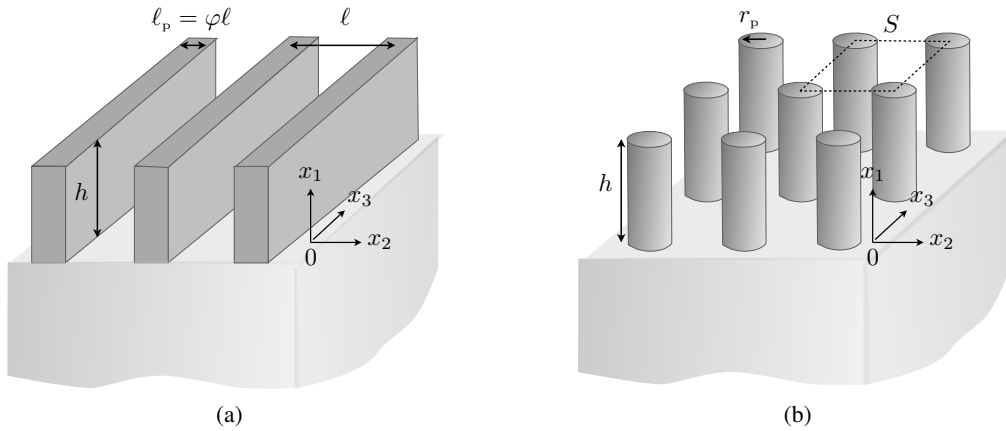


Figure 1: Geometry of the actual problems: (a) Array of parallel plates infinite along x_3 atop an isotropic substrate; (b) Doubly periodic array of cylindrical beams atop an isotropic substrate. The scalings are chosen to capture the bending resonances only; with k_T the wavenumber in the substrate, $k_T h = \eta$ and $k_T \ell = O(\eta^2)$.

10 the effect of complex soils, including the presence of buried foundations, on the displacements
11 in structures on the ground, see *e.g.* [3, 4, 5] and [6] for a review. In the classical two-step
12 model, the displacements in the soil without structures above, so-called free fields, were firstly
13 calculated and they were subsequently used as input data to determine the motion within the
14 structure [4, 6]. This means that the interaction, referred to as the soil-structure interaction, was
15 restricted to the effect of the soil on the structure. In the mid-1970s, Luco and Contesse [7] and
16 Wong and Trifunac [8] studied the interaction between nearby buildings and they evidenced the
17 resulting modification on the ground motion. They termed this mutual interaction the structure-
18 soil-structure interaction, which has been later renamed soil-structure-soil interaction. On the
19 basis of these pioneering works the idea took root that several structures may interact with each
20 other and modify the ground motion, supplied by numerical simulations and direct observations
21 during earthquakes [9, 10, 11, 12, 13, 14, 15, 16]. At the scale of a city with the specificity of
22 the presence of a sedimentary basin, the soil-structure-soil interaction has been called site-city
23 interaction, a term firstly coined by Guéguen [10]. From a theoretical point of view, most of the
24 models encapsulate the response of a building with a single or multi-degree of freedom system
25 [17, 10, 18, 19, 20, 16]. On the basis of this model, Boutin, Roussillon and co-workers have
26 developed homogenized models where the multiple interactions between periodically located
27 oscillators are accounted for from a macroscopic city-scale point of view [19, 21, 22, 23, 24]. In
28 the low frequency limit, that is when the incident wavelength is large compared to the resonator
29 spacing, the effect of the resonators can be encapsulated in effective boundary conditions of
30 the Robin type for the soil, a result that we shall recover in the present study. Such a mass-
31 spring model has been used in physics for randomly distributed oscillators [25] and periodically
32 distributed oscillators [26, 27, 28] for their influence on surface Love and Rayleigh waves. The
33 ability of arrays of resonators to block Love and Rayleigh waves has been exploited to envision
34 new devices of seismic metasurfaces [29, 30, 31, 32, 33, 34, 35, 36, 37, 38] in analogy with
35 metasurfaces in acoustics [39, 40] and in electromagnetism [41, 42].

In this study, we use asymptotic analysis and homogenization techniques to revisit the problem of the interaction of a periodic array of plates or beams on the propagation of seismic waves

in three dimensions. We consider slender bodies in the low frequency limit which means two things. Firstly, the typical wavelength $1/k$ is much larger than the array spacing ℓ , which is a classical hypothesis. Secondly, we focus on the lowest resonances of the bodies being flexural resonances. The first flexural resonances correspond to $kh \sim \ell_p/h$, with ℓ_p the body thickness, h the body height and ℓ_p/h the slenderness (in comparison the first longitudinal resonance appears at $kh \sim 1$). Now, we consider dense arrays, which means that $\ell_p \sim \ell$, and $\varphi = \ell_p/\ell \in (0, 1)$ (Figure 1). Hence the asymptotic analysis is conducted considering that

the wavelength $1/k$ is large compared to h which is itself large compared to $\ell_p \sim \ell$.

It is worth noting that assuming $\varphi = O(\eta^n)$ with $n \geq 1$ would allow a reduction of model in a first step, resulting in concentrated force problems, as implicitly considered in [19, 21, 35]. Here on the contrary, the implementation of the asymptotic method will require that we reconstruct the asymptotic theory of plates and beams in a low frequency regime, as previously done for a single body in solid mechanics, see *e.g.* [43, 44] for plates and [45, 46, 47, 48] for beams. However, this classical theory has to be complemented with matched asymptotic expansions to link the behavior in the periodic set of bodies with that in the substrate. This “soil-structure” coupling requires a specific treatment as used in interface homogenization [49, 50, 51, 52], see also [53] for a resonant case. In the present case, we shall derive effective boundary and transmission conditions applying in a homogenized region which replaces the actual array; and in this effective region the wave equation for flexural waves applies. This problem can be further simplified in effective boundary conditions of the Robin type applying on the surface of the soil, namely

$$\boldsymbol{\sigma} \cdot \mathbf{n} = \mathbf{K}(\omega)\mathbf{u}, \quad (1)$$

36 where the frequency-dependent rigidity matrix \mathbf{K} depends explicitly on the flexural frequencies of
 37 the plates/beams. The rigidity matrix is diagonal as soon as the bodies have sufficient symmetry,
 38 resulting in effective impedance conditions which resemble those obtained in [22] in the same
 39 settings.

40 The paper is organized as follows. In §2, we summarize the result of the asymptotic analysis
 41 in the case of an array of plates, whose detailed derivation is given in the §3. The resulting
 42 “complete” formulation (3)-(5) is equivalent to that in (6)-(7) thanks to a partial resolution of
 43 the problem. In §4, the accuracy of the effective model is inspected by comparison with direct
 44 numerics based on multimodal method [54] for an in-plane incident wave. The strong coupling
 45 of the array with the ground at the flexural resonances are exemplified and the agreement between
 46 the actual and effective problems is discussed. We finish the study in §5 with concluding remarks
 47 and perspectives. We provide in the appendix Appendix B the effective problem for the an array
 48 of beams which is merely identical to the case of the plates with some specificities which are
 49 addressed.

50 2. The actual problem and the effective problem

51 We consider in this section the asymptotic analysis of an array of parallel plates atop an
 52 isotropic elastic substrate. We note that the problem splits in the in-plane and out-of-plane po-
 53 larizations. The latter case has been already addressed in [36]. We focus in this section on the
 54 former, in-plane, case. We further note that the asymptotic analysis of a doubly periodic array
 55 of cylinders atop an isotropic substrate is a fully coupled elastodynamic wave problem, which is
 56 thus slightly more involved and addressed in the Appendix.

57 *2.1. The physical problem*

We consider the equation of elastodynamics for the displacement vector \mathbf{u} the stress tensor $\boldsymbol{\sigma}$ and the strain tensor $\boldsymbol{\varepsilon}$

$$\left\{ \begin{array}{l} \text{in the substrate, } x_1 \in (-\infty, 0) : \quad \text{div}\boldsymbol{\sigma} + \rho_s \omega^2 \mathbf{u} = \mathbf{0}, \quad \boldsymbol{\sigma} = 2\mu_s \boldsymbol{\varepsilon} + \lambda_s \text{tr}(\boldsymbol{\varepsilon})I, \quad \boldsymbol{\varepsilon} = \frac{1}{2}(\nabla \mathbf{u} + {}^t \nabla \mathbf{u}), \\ \text{in the plates, } x_1 \in (0, \ell) : \quad \text{div}\boldsymbol{\sigma} + \rho_p \omega^2 \mathbf{u} = \mathbf{0}, \quad \boldsymbol{\sigma} = 2\mu_p \boldsymbol{\varepsilon} + \lambda_p \text{tr}(\boldsymbol{\varepsilon})I, \end{array} \right. \quad (2)$$

58 with the Lamé coefficients (λ_p, μ_p) of the plates and (λ_s, μ_s) of the substrate, ω the angular fre-
 59 quency and I stands for the identity matrix. In three dimensions with $\mathbf{x} = (x_1, x_2, x_3)$, stress free
 60 conditions $\boldsymbol{\sigma} \cdot \mathbf{n} = \mathbf{0}$ apply at each boundary between an elastic medium (the plates or the sub-
 61 strate) and air, with \mathbf{n} the normal to the interface. Eventually, the continuity of the displacement
 62 and the normal stress apply at each boundary between the parallel plates and the substrate. This
 63 problem can be solved once the source \mathbf{u}^{inc} has been defined and accounting for the radiation
 64 condition for $x_1 \rightarrow -\infty$ which applies to the scattered field $(\mathbf{u} - \mathbf{u}^{\text{inc}})$.

65 *2.2. The effective problem*

66 Below we summarize the main results of the analysis developed in the §3 and which provides
 67 the so-called "complete formulation" where the array of parallel plates is replaced by an equiva-
 68 lent layer associated to effective boundary and transmission conditions (Figure 2(a)). Owing to
 69 a partial resolution, this formulation can be simplified to an equivalent "impedance formulation"
 70 set on the substrate only (Figure 2(b)). We note that all three components of the displacement
 71 field appear in this section, and the reader should be aware that we make use of variables $\mathbf{x} =$
 72 (x_1, x_2, x_3) and $\mathbf{x}' = (x_2, x_3)$.

73 *2.2.1. Complete formulation*

The effective problem reads as follow

$$\left\{ \begin{array}{l} \text{In the substrate, } x_1 \in (-\infty, 0) : \quad \text{div}\boldsymbol{\sigma} + \rho_s \omega^2 \mathbf{u} = \mathbf{0}, \quad \boldsymbol{\sigma} = 2\mu_s \boldsymbol{\varepsilon} + \lambda_s \text{tr}(\boldsymbol{\varepsilon})I, \\ \text{In the region of the plates, } x_1 \in (0, h) : \quad \frac{\partial^4 u_2}{\partial x_1^4} - \kappa^4 u_2 = 0, \quad \kappa = \left(\frac{\rho_p \omega^2 \ell_p}{D_p} \right)^{1/4}, \\ \quad \quad \quad u_1(x_1, \mathbf{x}') = u_1(0, \mathbf{x}'), \quad u_3(x_1, \mathbf{x}') = u_3(0, \mathbf{x}'), \end{array} \right. \quad (3)$$

with $\mathbf{x}' = (x_2, x_3)$,

$$D_p = \frac{E_p}{(1 - \nu_p^2)} \frac{\ell_p^3}{12}, \quad (4)$$

the flexural rigidity of the plates (ρ_p the mass density, E_p the Young's modulus and ν_p the Poisson's ratio), complemented with boundary conditions at $x_1 = 0$ and $x_1 = h$ of the form

$$\left\{ \begin{array}{l} \sigma_{11}(0^-, \mathbf{x}') = \rho_p \omega^2 \varphi h u_1(0, \mathbf{x}'), \quad \sigma_{12}(0^-, \mathbf{x}') = -\frac{D_p}{\ell} \frac{\partial^3 u_2}{\partial x_1^3}(0^+, \mathbf{x}'), \\ \sigma_{13}(0^-, \mathbf{x}') = \varphi h \left(E_p \frac{\partial^2 u_3}{\partial x_3^2}(0^-, \mathbf{x}') + \rho_p \omega^2 u_3(0^-, \mathbf{x}') \right), \\ u_2(0^+, \mathbf{x}') = u_2(0^-, \mathbf{x}'), \quad \frac{\partial u_2}{\partial x_1}(0^+, \mathbf{x}') = 0, \\ \frac{\partial^2 u_2}{\partial x_1^2}(h, \mathbf{x}') = \frac{\partial^3 u_2}{\partial x_1^3}(h, \mathbf{x}') = 0. \end{array} \right. \quad (5)$$

74 These effective conditions express (i) at $x_1 = 0$ a balance of the stress, prescribed displacements
 75 and vanishing rotation and (ii) at $x_1 = h$, free end conditions with vanishing bending moment
 76 and shearing force. One notes that all three components of the displacement field \mathbf{u} appear in (5)
 77 which involves partial derivatives on x_1 and x_3 only.

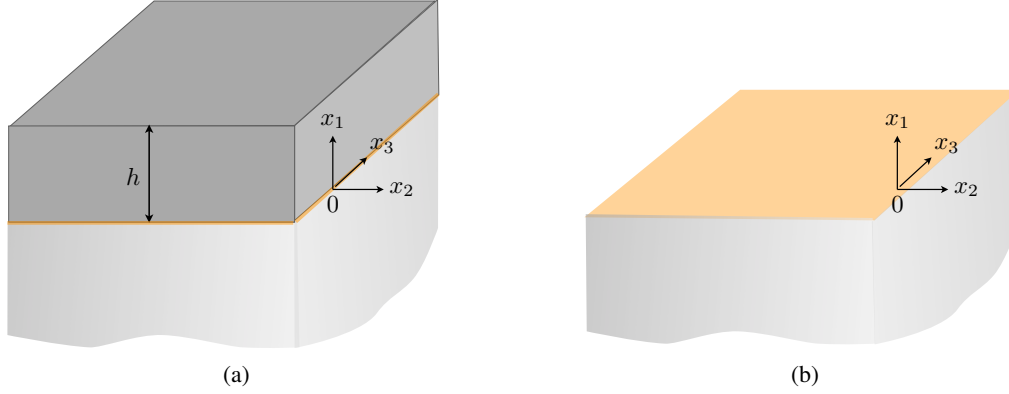


Figure 2: Geometry in the effective problems for an array of plates. (a) In the complete formulation, the region of the array is replaced by an equivalent layer where (3) applies, complemented by the transmission conditions in (5). (b) In the impedance formulation, the problem is reduced to effective boundary conditions (6) which hold at $x_1 = 0$. The same holds for the array of beams, with (a) (B.1)-(B.3) and (b) (B.5).

78 2.2.2. Impedance formulation

From (3), the problem in $x_1 \in (0, h)$ can be solved owing to the linearity of the problem with respect to $u_2(0^-, x_2)$, see Appendix A. Doing so, the problem can be thought in the substrate only along with the boundary conditions of the Robin's type, namely

$$\begin{cases} \operatorname{div} \boldsymbol{\sigma} + \rho_p \omega^2 \mathbf{u} = \mathbf{0}, & \boldsymbol{\sigma} = 2\mu_p \boldsymbol{\varepsilon} + \lambda_p \operatorname{tr}(\boldsymbol{\varepsilon}) \mathbf{I}, & x_1 \in (-\infty, 0), \\ \sigma_{11}(0, \mathbf{x}') = Z u_1(0, \mathbf{x}'), & \sigma_{12}(0, \mathbf{x}') = Z f(\kappa h) u_2(0, \mathbf{x}'), \\ \sigma_{13}(0, \mathbf{x}') = \varphi h \left(E_p \frac{\partial^2 u_3}{\partial x_3^2}(0, \mathbf{x}') + \rho_p \omega^2 u_3(0, \mathbf{x}') \right), \end{cases} \quad (6)$$

with the following impedance parameters

$$Z = \rho_p \omega^2 \varphi h, \quad f(\kappa h) = \frac{\operatorname{sh} \kappa h \cos \kappa h + \operatorname{ch} \kappa h \sin \kappa h}{\kappa h (1 + \operatorname{ch} \kappa h \cos \kappa h)}, \quad (7)$$

79 (we have used that $D_p \kappa^4 = \rho_p \omega^2 \ell_p$). The conditions on $(\sigma_{11}, \sigma_{12})$ encapsulate the effects of the
 80 in-plane bending of the plates while the condition on σ_{13} can be understood as the equilibrium
 81 of an axially loaded bar (in the absence of substrate, we recover the wave equation for quasi-
 82 longitudinal waves). It is worth noting that for out-of-plane displacements, $u_3(x_1, x_2)$ and $u_1 =$
 83 $u_2 = 0$, the boundary conditions simplify to $\sigma_{13}(0, x_2) = \rho_p \varphi h \omega^2 u_3(0, x_2)$. This corresponds to
 84 the impedance condition which can be deduced from the analysis conducted in [36] and resulting
 85 in $\sigma_{13}(0, x_2) = \mu_p \varphi k_T \tan(k_T h) u_3(0, x_2)$ and obtained here in the limit $k_T h \ll 1$.

86 **3. Derivation of the effective problem**

As previously said, the asymptotic analysis is conducted considering that the typical wavelength $1/k$ is large compared to the plate height h which is itself large compared to the array spacing $\ell \sim \ell_p$. Hence, with $k_T = \omega \sqrt{\rho_s/\mu_s}$ and $k_L = \omega \sqrt{\rho_s/(\lambda_s + 2\mu_s)}$ of the same order of magnitude, we define the small non-dimensional parameter η as

$$\eta = \sqrt{k_T \ell}, \quad \text{and} \quad k_T h = O(\eta),$$

(note that to excite both the bending and the longitudinal modes another scaling is required with $kh = O(1)$, and this is a higher frequency regime studied in [35]). Accordingly, the asymptotic analysis is conducted using the rescaled height \hat{h} of the plates and array's spacing $\hat{\ell}$ defined by

$$(\hat{h}, \hat{\ell}) = \left(\frac{h}{\eta}, \frac{\ell}{\eta^2} \right),$$

which models an array of densely packed thin plates. We also define the associated rescaled spatial coordinates

$$y_1 = \frac{x_1}{\eta}, \quad \mathbf{z} = \frac{\mathbf{x}}{\eta^2}. \quad (8)$$

87 **3.1. Effective wave equation in the region of the plates**

88 **3.1.1. Notations**

In the region of the array of parallel plates, the displacements and the stresses vary in the horizontal direction over small distances dictated by ℓ , and over large distances dictated by the incoming waves; these two scales are accounted for by the two-scale coordinates (\mathbf{x}', z_2) , with $\mathbf{x}' = (x_2, x_3)$. In the vertical direction, the variations are dictated by h only and this is accounted for by the rescaled coordinate y_1 . It follows that the fields $(\mathbf{u}, \boldsymbol{\sigma})$ are written of the form

$$\mathbf{u} = \sum_{n \geq 0} \eta^n \mathbf{w}^n(y_1, z_2, \mathbf{x}'), \quad \boldsymbol{\sigma} = \sum_{n \geq 0} \eta^n \boldsymbol{\pi}^n(y_1, z_2, \mathbf{x}'), \quad (9)$$

with the three-scale differential operator reading

$$\nabla \rightarrow \frac{\mathbf{e}_1}{\eta} \frac{\partial}{\partial y_1} + \frac{\mathbf{e}_2}{\eta^2} \frac{\partial}{\partial z_2} + \nabla_{\mathbf{x}'}, \quad (10)$$

where $\mathbf{e}_1 = (1, 0, 0)$ and $\mathbf{e}_2 = (0, 1, 0)$. Now, we introduce the strain tensor with respect to \mathbf{x}'

$$\boldsymbol{\varepsilon}^{\mathbf{x}'}(\mathbf{u}) = \frac{1}{2} \begin{pmatrix} 0 & \partial_{x_2} u_1 & \partial_{x_3} u_1 \\ \partial_{x_2} u_1 & 2\partial_{x_2} u_2 & (\partial_{x_3} u_2 + \partial_{x_2} u_3) \\ \partial_{x_3} u_1 & (\partial_{x_3} u_2 + \partial_{x_2} u_3) & 2\partial_{x_3} u_3 \end{pmatrix}, \quad (11)$$

and the strain tensors with respect to the rescaled coordinates y_1 and z_2 ,

$$\boldsymbol{\varepsilon}^{y_1}(\mathbf{u}) = \frac{1}{2} \begin{pmatrix} 2\partial_{y_1} w_1 & \partial_{y_1} u_2 & \partial_{y_1} u_3 \\ \partial_{y_1} u_2 & 0 & 0 \\ \partial_{y_1} u_3 & 0 & 0 \end{pmatrix}, \quad \boldsymbol{\varepsilon}^{z_2}(\mathbf{u}) = \frac{1}{2} \begin{pmatrix} 0 & \partial_{z_2} u_1 & 0 \\ \partial_{z_2} u_1 & 2\partial_{z_2} u_2 & \partial_{z_2} u_3 \\ 0 & \partial_{z_2} u_3 & 0 \end{pmatrix}. \quad (12)$$

The system in the region of the plates reads, from (2),

$$\begin{cases} (E_1) & \frac{1}{\eta} \partial_{y_1} \sigma_{11} + \partial_{x_\alpha} \sigma_{1\alpha} + \frac{1}{\eta^2} \partial_{z_2} \sigma_{12} + \rho_p \omega^2 u_1 = 0, \\ (E_\alpha) & \frac{1}{\eta} \partial_{y_1} \sigma_{\alpha 1} + \partial_{x_\beta} \sigma_{\alpha\beta} + \frac{1}{\eta^2} \partial_{z_2} \sigma_{\alpha 2} + \rho_p \omega^2 u_\alpha = 0, \\ (C) & \sigma = \frac{1}{\eta} (2\mu_p \boldsymbol{\varepsilon}^{y_1} + \lambda_p \text{tr}(\boldsymbol{\varepsilon}^{y_1})) + (2\mu_p \boldsymbol{\varepsilon}^{x'} + \lambda_p \text{tr}(\boldsymbol{\varepsilon}^{x'})) + \frac{1}{\eta^2} (2\mu_p \boldsymbol{\varepsilon}^{z'} + \lambda_p \text{tr}(\boldsymbol{\varepsilon}^{z'})), \end{cases} \quad (13)$$

with the convention on the Greek letters $\alpha = 2, 3$, the same for β , and where $\boldsymbol{\varepsilon}$ stands for $\boldsymbol{\varepsilon}(\mathbf{u})$. We shall use the stress-strain relation written in the form

$$(C') \quad \frac{1}{\eta} \boldsymbol{\varepsilon}^{y_1} + \boldsymbol{\varepsilon}^{x'} + \frac{1}{\eta^2} \boldsymbol{\varepsilon}^{z_2} = \frac{(1 + \nu_p)}{E_p} \boldsymbol{\sigma} - \frac{\nu_p}{E_p} \text{tr}(\boldsymbol{\sigma}) I. \quad (14)$$

Eventually, the boundary conditions read

$$\sigma_{2i} = 0, \quad i = 1, 2, 3, \quad \text{at } z_2 = \pm \varphi \hat{\ell} / 2, \quad (15)$$

and are complemented by boundary conditions at $y_1 = 0, \hat{h}$ assumed to be known (they will be justified later). We seek to establish the effective behaviour in the region of the array in terms of macroscopic averaged fields which do not depend anymore on the rapid coordinate z_2 associated with the small scale $\hat{\ell}$ as the following averages taken along rescaled variable z_2 . These fields are defined at any order n as

$$\overline{\mathbf{w}^n}(y_1, \mathbf{x}') = \frac{1}{\varphi \hat{\ell}} \int_Y \mathbf{w}^n(y_1, z_2, \mathbf{x}') dz_2, \quad \overline{\boldsymbol{\pi}^n}(y_1, \mathbf{x}') = \frac{1}{\hat{\ell}} \int_Y \boldsymbol{\pi}^n(y_1, z_2, \mathbf{x}') dz_2,$$

89 with $Y = \{z_2 \in (-\varphi \hat{\ell} / 2, \varphi \hat{\ell} / 2)\}$ the segment shown in figure 3.

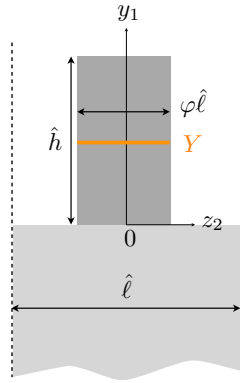


Figure 3: Analysis of a single plate in rescale coordinates, (9) with $Y = \{z_2 \in (-\varphi \hat{\ell} / 2, \varphi \hat{\ell} / 2)\}$; the analysis holds within the plate far from its boundaries at $y_1 = 0, \hat{h}$.

90 *3.1.2. Sequence of resolution and main results of the analysis*

91 We shall derive the equation satisfied in the region of the array, and additional results on the
 92 stresses $(\overline{\pi_{1i}^0}, \overline{\pi_{1i}^1})$, $i = 1, 2, 3$, required to establish the effective boundary conditions at $y_1 = 0, \hat{h}$.
 93 The main results will be obtained following the procedure :

1. We establish the following properties on π^0

$$\overline{\pi_{11}^0} = 0, \quad \pi_{2i}^0 = 0, \quad i = 1, 2, 3, \quad \overline{\pi_{13}^0} = 0. \quad (16)$$

2. Then we derive the dependence of $(\mathbf{w}^0, \mathbf{w}^1)$ on z_2 which have the form

$$\begin{cases} w_1^0 = W_1^0(\mathbf{x}'), & w_2^0 = W_2^0(y_1, \mathbf{x}'), & w_3^0 = W_3^0(\mathbf{x}'), \\ w_1^1 = W_1^1(\mathbf{x}') - \frac{\lambda_p}{2(\lambda_p + \mu_p)} \frac{\partial W_3^0}{\partial x_3}(\mathbf{x}') y_1 - \frac{\partial W_2^0}{\partial y_1}(y_1, \mathbf{x}') z_2, & w_\alpha^1 = W_\alpha^1(y_1, \mathbf{x}'), \end{cases} \quad (17)$$

and

$$\pi_{11}^0 = -\frac{E_p}{1 - \nu_p^2} \frac{\partial^2 W_2^0}{\partial y_1^2}(y_1, \mathbf{x}') z_2, \quad \overline{\pi_{33}^0} = \varphi E_p \frac{\partial W_3^0}{\partial x_3}(\mathbf{x}'). \quad (18)$$

3. Eventually, we identify the form of $\overline{\pi_{1i}^1}$, $i = 1, 2, 3$, and the Euler -Bernoulli equation governing the bending W_2^0 . Specifically

$$\begin{cases} \overline{\pi_{11}^1}(y_1, \mathbf{x}') = \rho_p \omega^2 \varphi W_1^0(\mathbf{x}') (\hat{h} - y_1), \\ \overline{\pi_{12}^1}(y_1, \mathbf{x}') = -\frac{E_p}{(1 - \nu_p^2)} \frac{\varphi^3 \hat{\ell}^2}{12} \frac{\partial^3 W_2^0}{\partial y_1^3}(y_1, \mathbf{x}'), \\ \overline{\pi_{13}^1}(y_1, \mathbf{x}') = \varphi \left(E_p \frac{\partial^2 W_3^0}{\partial x_3^2}(\mathbf{x}') + \rho_p \omega^2 W_3^0(\mathbf{x}') \right) (\hat{h} - y_1), \end{cases} \quad (19)$$

and

$$\frac{E_p}{(1 - \nu_p^2)} \frac{\varphi^2 \hat{\ell}^2}{12} \frac{\partial^4 W_2^0}{\partial y_1^4} - \rho_p \omega^2 W_2^0 = 0. \quad (20)$$

94

95 In the remainder of this section, we shall establish the above results. We shall denote $(E_1)^n$, $(E_\alpha)^n$
 96 and $(C)^n$ the equations which correspond to terms in (13) factor of η^n .

97 *3.1.3. First step: properties of π^0 in (16)*

98 From $(E)^{-2}$ in (13), we have that $\partial_{z_2} \pi_{2i}^0 = 0$, which along with the boundary conditions at $z_2 =$
 99 $\pm \varphi \hat{h}/2$ leave us with $\pi_{2i}^0 = 0$. Next from $(E_1)^{-1}$ and $(E_3)^{-1}$, we also have that $\partial_{y_1} \pi_{11}^0 + \partial_{z_2} \pi_{12}^1 = 0$
 100 and $\partial_{y_1} \pi_{13}^0 + \partial_{z_2} \pi_{23}^1 = 0$; by averaging these relations over Y and accounting for $\pi_{2i}^1|_{\partial Y} = 0$, we
 101 get that $\overline{\pi_{11}^0}$ and $\overline{\pi_{13}^0}$ do not depend on y_1 . We now anticipate the boundary condition $\overline{\pi_{11}^0}(\hat{h}, \mathbf{x}') =$
 102 $\overline{\pi_{13}^0}(\hat{h}, \mathbf{x}') = 0$ that we shall prove later on (see forthcoming (35)), we get $\overline{\pi_{11}^0} = \overline{\pi_{13}^0} = 0$ in Y . We
 103 have the properties announced in (16).

104 3.1.4. Second step: $(\mathbf{w}^0, \mathbf{w}^1)$ in (17) and $(\pi_{11}^0, \overline{\pi_{33}^0})$ in (18)

Some of the announced results are trivially obtained. From $(C')^{-2}$ in (14), we get that $\partial_{z_2} w_i^0 = 0$, and from $(C'_{11})^{-1}$ and $(C'_{13})^{-1}$ that $\partial_{y_1} w_1^0 = \partial_{y_1} w_3^0 = 0$, which leaves us with the form of \mathbf{w}^0 in (17). Next $(C'_{\alpha\alpha})^{-1}$ tells us that $\partial_{z_2} w_\alpha^1 = 0$, in agreement with the form of w_α^1 in (17). We have yet to derive the form of w_1^1 , which is more demanding. From $(C'_{12})^{-1}$, $\partial_{z_2} w_1^1 = -\partial_{y_1} w_2^0$ and thus

$$w_1^1 = W_1(y_1, \mathbf{x}') - \frac{\partial W_2^0}{\partial y_1}(y_1, \mathbf{x}') z_2, \quad (21)$$

but we can say more on W_1 . Let us consider the system provided by $(C_{11})^0$ and $(C_{22})^0$, specifically

$$\begin{cases} \pi_{11}^0 = (\lambda_p + 2\mu_p)\partial_{y_1} w_1^1 + \lambda_p (\partial_{x_\alpha} w_\alpha^0 + \partial_{z_2} w_2^0), \\ 0 = (\lambda_p + 2\mu_p)(\partial_{z_2} w_2^0 + \partial_{x_2} w_2^0) + \lambda_p (\partial_{y_1} w_1^1 + \partial_{x_3} w_3^0), \end{cases} \quad (22)$$

where we have used that $\pi_{22}^0 = 0$. After elimination of $\partial_{z_2} w_2^0$ and owing to the form of w_α^0 in (16) and w_1^1 in (21) (at this stage), we get $\pi_{11}^0 = a(y_1, \mathbf{x}') z_2 + b(y_1, \mathbf{x}')$ with

$$a = -\frac{E_p}{1 - \nu_p^2} \frac{\partial^2 W_2^0}{\partial y_1^2}(y_1, \mathbf{x}'), \quad b = \frac{2\mu_p}{(\lambda_p + 2\mu_p)} \left(2(\lambda_p + \mu_p) \frac{\partial W_1}{\partial y_1}(y_1, \mathbf{x}') + \lambda_p \frac{\partial W_3^0}{\partial x_3}(\mathbf{x}') \right), \quad (23)$$

(we have used that $E_p/(1 - \nu_p^2) = 4\mu_p(\mu_p + \lambda_p)/(\lambda_p + 2\mu_p)$). It is now sufficient to remark that $\overline{\pi_{11}^0} = 0$ imposes $b = 0$. This immediately provides the form of π_{11}^0 in (18) and

$$W_1(y_1, \mathbf{x}') = W_1^1(\mathbf{x}') - \frac{\lambda_p}{2(\lambda_p + \mu_p)} \frac{\partial W_3^0}{\partial x_3}(\mathbf{x}') y_1, \quad (24)$$

which along with (21) leaves us with the form of w_1^1 in (17). The same procedure is used to get π_{33}^0 , which from $(C_{33})^0$, reads

$$\pi_{33}^0 = (\lambda_p + 2\mu_p)\partial_{x_3} w_3^0 + \lambda_p (\partial_{y_1} w_1^1 + \partial_{x_2} w_2^0 + \partial_{z_2} w_2^0). \quad (25)$$

Using that $\pi_{22}^0 = 0$ to eliminate $\partial_{z_2} w_2^0$, we get

$$\pi_{33}^0 = E_p \frac{\partial W_3^0}{\partial x_3}(\mathbf{x}') - \frac{2\mu_p \lambda_p}{\lambda_p + 2\mu_p} \frac{\partial^2 W_2^0}{\partial y_1^2}(y_1, \mathbf{x}') z_2, \quad (26)$$

which after integration over Y leaves us with $\overline{\pi_{33}^0}$ in (18). Incidentally, w_2^0 can be determined from (22) and we find

$$w_2^0 = -\left(\frac{\partial W_2^0}{\partial x_2}(y_1, \mathbf{x}') + \frac{\lambda_p}{2(\lambda_p + \mu_p)} \frac{\partial W_3^0}{\partial x_3}(\mathbf{x}') \right) z_2 + \frac{\lambda_p}{\lambda_p + 2\mu_p} \frac{\partial^2 W_2^0}{\partial y_1^2} \frac{z_2^2}{2} + W_2^2(y_1, \mathbf{x}'). \quad (27)$$

105 3.1.5. Third step: the $\overline{\pi_{1i}^1}$ in (19) and the Euler-Bernoulli equation in (20).

We start with $(E)^0$ in (13) integrated over Y , specifically,

$$\frac{\partial \overline{\pi_{11}^1}}{\partial y_1} + \rho_p \omega^2 \varphi W_1^0 = 0, \quad \frac{\partial \overline{\pi_{12}^1}}{\partial y_1} + \rho_p \omega^2 \varphi W_2^0 = 0, \quad \frac{\partial \overline{\pi_{13}^1}}{\partial y_1} + \frac{\partial \overline{\pi_{33}^0}}{\partial x_3} + \rho_p \omega^2 W_3^0 = 0, \quad (28)$$

106 where we have used (16) and $\boldsymbol{\pi}^2 \cdot \mathbf{n}_{|\partial Y} = \mathbf{0}$. Since W_1^0 and W_3^0 depend on \mathbf{x}' only, and accounting
 107 for $\overline{\pi_{33}^0}(\mathbf{x}')$ in (18), we get by integration the forms of $\overline{\pi_{11}^1}$ and of $\overline{\pi_{13}^1}$ announced in (19). Note that
 108 we have anticipated the boundary conditions $\overline{\pi_{1i}^1} = 0$ at $y_1 = \hat{h}$, see forthcoming (35).

The equation on $\overline{\pi_{12}^1}$ in (28) will provide the Euler-Bernoulli equation once $\overline{\pi_{12}^1}$ has been determined (the integration is not possible since W_2^0 depends on y_1). To do so, we use, that $\partial_{y_1} \pi_{11}^0 + \partial_{z_2} \pi_{12}^1 = 0$, from $(E_1)^{-1}$, along with π_{11}^0 in (18). After integration and using the boundary condition of vanishing π_{12}^1 at $z_2 = \pm \varphi \hat{\ell} / 2$, we get that

$$\pi_{12}^1 = \frac{E_p}{2(1-\nu_p^2)} \frac{\partial^3 W_1^0}{\partial y_1^3}(y_1, \mathbf{x}') \left(z_2^2 - \frac{\varphi^2 \hat{\ell}^2}{4} \right), \quad (29)$$

109 hence the form of $\overline{\pi_{12}^1}$ in (19). It is now sufficient to use π_{12}^1 in (28) to get the Euler-Bernoulli
 110 announced in (20).

111 3.2. *Effective boundary conditions at the top of the array*

To derive the transmission conditions at the top of the array, we perform a zoom by substituting y_1 used in (9) by $z_1 = y_1/\eta$, see Figure 4a. Accordingly, the expansions of the fields are sought of the form

$$\mathbf{u} = \sum_{n \geq 0} \eta^n \mathbf{v}^n(\mathbf{z}', \mathbf{x}'), \quad \boldsymbol{\sigma} = \sum_{n \geq 0} \eta^n \boldsymbol{\tau}^n(\mathbf{z}', \mathbf{x}'), \quad (30)$$

where we denote $\mathbf{z}' = (z_1, z_2)$. The coordinate $z_1 \in (-\infty, 0)$ accounts for small scale variations of the evanescent fields at the top of the plates. Next, the boundary conditions will be obtained by matching the solution in (30) for $z_1 \rightarrow -\infty$ with that in (9) valid far from the boundary for $y_1 \rightarrow \hat{h}$. This means that we ask the two expansions to satisfy

$$\mathbf{v}^0(z_1, z_2, \mathbf{x}') + \eta \mathbf{v}^1(z_1, z_2, \mathbf{x}') + \dots \underset{z_1 \rightarrow -\infty}{\sim} \mathbf{w}^0(\hat{h} + \eta z_1, z_2, \mathbf{x}') + \eta \mathbf{w}^1(\hat{h} + \eta z_1, z_2, \mathbf{x}') + \dots,$$

(and the same for the stress tensors); note that we have used that $y_1 = \eta z_1$. It results that

$$\left\{ \begin{array}{l} \lim_{z_1 \rightarrow -\infty} \mathbf{v}^0(\mathbf{z}', \mathbf{x}') = \mathbf{w}^0(\hat{h}, \mathbf{x}'), \quad \lim_{z_1 \rightarrow -\infty} \left(\mathbf{v}^1(\mathbf{z}', \mathbf{x}') - z_1 \frac{\partial \mathbf{w}^0}{\partial y_1}(\hat{h}, z_2, \mathbf{x}') \right) = \mathbf{w}^1(\hat{h}, z_2, \mathbf{x}'), \\ \lim_{z_1 \rightarrow -\infty} \boldsymbol{\tau}^0(\mathbf{z}', \mathbf{x}') = \boldsymbol{\pi}^0(\hat{h}, z_2, \mathbf{x}'), \quad \lim_{z_1 \rightarrow -\infty} \left(\boldsymbol{\tau}^1(\mathbf{z}', \mathbf{x}') - z_1 \frac{\partial \boldsymbol{\pi}^0}{\partial y_1}(\hat{h}, z_2, \mathbf{x}') \right) = \boldsymbol{\pi}^1(\hat{h}, z_2, \mathbf{x}'). \end{array} \right. \quad (31)$$

112

According to the dependence of the fields in (30) on $(\mathbf{z}', \mathbf{x}')$, the differential operator reads as follows

$$\nabla \rightarrow \frac{1}{\eta^2} \nabla_{\mathbf{z}'} + \nabla_{\mathbf{x}'}, \quad (32)$$

and we shall need only the first equation of (2), which reads

$$(e) \quad \frac{1}{\eta^2} \operatorname{div}_{\mathbf{z}'} \boldsymbol{\sigma} + \operatorname{div}_{\mathbf{x}'} \boldsymbol{\sigma} + \rho_p \omega^2 \mathbf{u} = \mathbf{0}, \quad (33)$$

where $\operatorname{div}_{\mathbf{z}'}$ and $\operatorname{div}_{\mathbf{x}'}$ means the divergence with respect to the coordinate \mathbf{z}' and \mathbf{x}' respectively. In (33), (e)⁻² and (e)⁻¹ tell us that $\operatorname{div}_{\mathbf{z}'} \boldsymbol{\tau}^0 = \operatorname{div}_{\mathbf{z}'} \boldsymbol{\tau}^1 = \mathbf{0}$, that we integrate over $Z = \{z_1 \in$

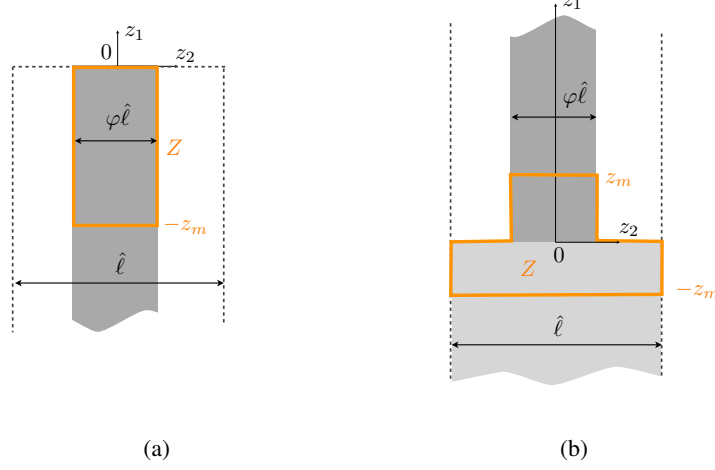


Figure 4: Analysis of the effective conditions at the top and at the bottom of the array. (a) Half strip at the top of the array in (z_1, z_2) coordinate with $z_1 \in (-\infty, 0)$, (b) Strip at the bottom of the array with $z_1 \in (-\infty, +\infty)$; for $z_1 \in (-\infty, 0)$, the terms in the expansions (30) are periodic with respect to $z_2 \in (-\hat{\ell}/2, \hat{\ell}/2)$.

$(-z_m, 0), z_2 \in Y\}$ to get $\int_{\partial Z} \boldsymbol{\tau}^0 \cdot \mathbf{n} \, ds = \int_{\partial Z} \boldsymbol{\tau}^1 \cdot \mathbf{n} \, ds = \mathbf{0}$. On ∂Z , $\boldsymbol{\tau}^0 \cdot \mathbf{n}$ and $\boldsymbol{\tau}^1 \cdot \mathbf{n}$ vanish except on the bottom edge Y of ∂Z at $z_1 = -z_m$ where $\mathbf{n} = -\mathbf{e}_1$. It follows, from (31) along with $\overline{\pi_{1i}^0} = 0$ in (16), that

$$\mathbf{0} = \lim_{z_m \rightarrow \infty} \int_{\partial Z} \boldsymbol{\tau}^0 \cdot \mathbf{n} \, ds = -\hat{\ell} \overline{\pi_{1i}^0}(\hat{h}, \mathbf{x}') \mathbf{e}_i, \quad \mathbf{0} = \lim_{z_m \rightarrow \infty} \int_{\partial Z} \boldsymbol{\tau}^1 \cdot \mathbf{n} \, ds = -\hat{\ell} \overline{\pi_{1i}^1}(\hat{h}, \mathbf{x}') \mathbf{e}_i. \quad (34)$$

which provides the boundary conditions

$$\overline{\pi_{1i}^0}(\hat{h}, \mathbf{x}') = \overline{\pi_{1i}^1}(\hat{h}, \mathbf{x}') = 0, \quad i = 1, 2, 3. \quad (35)$$

The conditions on $\overline{\pi_{1i}^0}$ are consistent with (16). The conditions on $\overline{\pi_{11}^1}$ and $\overline{\pi_{13}^1}$ are those anticipated in the previous section, see (19). Eventually, the condition $\overline{\pi_{12}^1}(\hat{h}, x_2) = 0$ combined with (19) leads to the condition of zero shear force

$$\frac{\partial^3 W_2^0}{\partial y_1^3}(\hat{h}, \mathbf{x}') = 0. \quad (36)$$

We have yet to derive the condition of zero bending moment. First, integrating $\text{div}_{\mathbf{z}} \boldsymbol{\tau}^0$ over Z , we get $0 = \int_{\partial Z} \tau_{ij}^0 n_j \, dz_2 = \int_Y \tau_{12}^0|_{z_1=-z_m} \, dz_2$. Next, integrating over Z the scalar $\mathbf{a} \cdot \text{div}_{\mathbf{z}} \boldsymbol{\tau}^0 = a_i \partial_{z_j} \tau_{ij}^0 = 0$ (since $\text{div}_{\mathbf{z}} \boldsymbol{\tau}^0 = \mathbf{0}$) with $\mathbf{a} = z_2 \mathbf{e}_1 - z_1 \mathbf{e}_2$ and integrating by parts, we get that

$$0 = \int_{\partial Z} a_i \tau_{ij}^0 n_j \, ds = - \int_Y z_2 \tau_{11}^0|_{z_1=-z_m} \, dz_2 - z_m \int_Y \tau_{12}^0|_{z_1=-z_m} \, dz_2 = - \int_Y z_2 \tau_{11}^0|_{z_1=-z_m} \, dz_2, \quad (37)$$

(the integral on ∂Z reduces to that on Y at $z = -z_m$). In the limit $z_m \rightarrow \infty$, where $\int_Y z_2 \tau_{11}^0 \rightarrow \overline{z_2 \pi_{11}^0}(\hat{h}, \mathbf{x}')$, and accounting for π_{11}^0 in (18), we obtain the expected boundary condition

$$\frac{\partial^2 W_2^0}{\partial y_1^2}(\hat{h}, \mathbf{x}') = 0. \quad (38)$$

113 3.3. *Effective transmission conditions between the substrate and the region of the array*

To begin with, we shall need the solution in the substrate which is expanded as

$$\mathbf{u} = \sum_{n \geq 0} \eta^n \mathbf{u}^n(\mathbf{x}), \quad \boldsymbol{\sigma}(\mathbf{x}) = \sum_{n \geq 0} \eta^n \boldsymbol{\sigma}^n(\mathbf{x}), \quad (39)$$

with no dependence on the rapid coordinates, while in the array it is given by (9). As in the previous section, a zoom is performed in the vicinity of the interface between the substrate and the region of the array, owing to the substitution $y_1 \rightarrow z_1$. In the intermediate region, the fields are expanded as in (30) with the interface at $z_1 = 0$ and $z_1 \in (-\infty, +\infty)$, see Figure 4(b). It is worth noting that for $z_1 \in (-\infty, 0)$ the terms in the expansion (30) are assumed to be periodic with respect to $z_2 \in (-\hat{\ell}/2, \hat{\ell}/2)$ while for $z_1 \in (0, \infty)$ we have $z_2 \in (-\varphi\hat{\ell}/2, \varphi\hat{\ell}/2)$. Note that we should use different notations for the expansions and for z_1 since their meaning is different; for simplicity, we keep the same. The transmission conditions will be obtained by matching the solution in (30) for $z_1 \rightarrow +\infty$ with that in (9) for $x_1 \rightarrow 0^+$, and for $z_1 \rightarrow -\infty$ with that in (39) for $x_1 \rightarrow 0^-$. Matching the solutions hence means, with $\mathbf{z} = (z_1, z_2)$,

$$\begin{cases} \mathbf{v}^0(\mathbf{z}', \mathbf{x}') + \eta \mathbf{v}^1(\mathbf{z}', \mathbf{x}') + \dots \underset{z_1 \rightarrow -\infty}{\sim} \mathbf{u}^0(\eta^2 z_1, \mathbf{x}') + \eta \mathbf{u}^1(\eta^2 z_1, \mathbf{x}') + \dots, \\ \mathbf{v}^0(\mathbf{z}', \mathbf{x}') + \eta \mathbf{v}^1(\mathbf{z}', \mathbf{x}') + \dots \underset{z_1 \rightarrow +\infty}{\sim} \mathbf{w}^0(\eta z_1, z_2, \mathbf{x}') + \eta \mathbf{w}^1(\eta z_1, z_2, \mathbf{x}') + \dots, \end{cases}$$

where we have used that $x_1 = \eta^2 z_1$ and $y_1 = \eta z_1$. It results that

$$\begin{cases} \lim_{z_1 \rightarrow -\infty} \mathbf{v}^0(\mathbf{z}', \mathbf{x}') = \mathbf{u}^0(0^-, \mathbf{x}'), & \lim_{z_1 \rightarrow -\infty} \mathbf{v}^1(\mathbf{z}', \mathbf{x}') = \mathbf{u}^1(0^-, \mathbf{x}'), \\ \lim_{z_1 \rightarrow -\infty} \boldsymbol{\tau}^0(\mathbf{z}', \mathbf{x}') = \boldsymbol{\sigma}^0(0^-, \mathbf{x}'), & \lim_{z_1 \rightarrow -\infty} \boldsymbol{\tau}^1(\mathbf{z}', \mathbf{x}') = \boldsymbol{\sigma}^1(0^-, \mathbf{x}'), \end{cases} \quad (40)$$

and that

$$\begin{cases} \lim_{z_1 \rightarrow +\infty} \mathbf{v}^0(\mathbf{z}', \mathbf{x}') = \mathbf{w}^0(0^+, \mathbf{x}'), & \lim_{z_1 \rightarrow +\infty} \left(\mathbf{v}^1(\mathbf{z}', \mathbf{x}') - z_1 \frac{\partial \mathbf{w}^0}{\partial y_1}(0^+, z_2, \mathbf{x}') \right) = \mathbf{w}^1(0^+, z_2, \mathbf{x}'), \\ \lim_{z_1 \rightarrow +\infty} \boldsymbol{\tau}^0(\mathbf{z}', \mathbf{x}') = \boldsymbol{\pi}^0(0^+, z_2, \mathbf{x}'), & \lim_{z_1 \rightarrow +\infty} \left(\boldsymbol{\tau}^1(\mathbf{z}', \mathbf{x}') - z_1 \frac{\partial \boldsymbol{\pi}^0}{\partial y_1}(0^+, z_2, \mathbf{x}') \right) = \boldsymbol{\pi}^1(0^+, z_2, \mathbf{x}'). \end{cases} \quad (41)$$

Eventually, with the differential operator in (32), (33) applies; we shall also need from (2) that

$$(c) \quad \eta^2 \boldsymbol{\sigma} = 2\mu_a \boldsymbol{\varepsilon}^{\mathbf{z}'} + \lambda_a \text{tr}(\boldsymbol{\varepsilon}^{\mathbf{z}'}) I, \quad (c') \quad \frac{1}{\eta} \boldsymbol{\varepsilon}^{y_1} + \boldsymbol{\varepsilon}^{\mathbf{x}'} + \frac{1}{\eta^2} \boldsymbol{\varepsilon}^{\mathbf{z}'} = \frac{(1 + \nu_a)}{E_a} \boldsymbol{\sigma} - \frac{\nu_a}{E_a} \text{tr}(\boldsymbol{\sigma}) I. \quad (42)$$

($\boldsymbol{\varepsilon}$ stands for $\boldsymbol{\varepsilon}(\mathbf{u})$) applying in the substrate, a=s, and in the plate, a=p, where we have defined

$$\boldsymbol{\varepsilon}^{\mathbf{z}'}(\mathbf{u}) = \frac{1}{2} \begin{pmatrix} 2\partial_{z_1} u_1 & (\partial_{z_2} u_1 + \partial_{z_1} u_2) & \partial_{z_1} u_3 \\ (\partial_{z_2} u_1 + \partial_{z_1} u_2) & 2\partial_{z_2} u_2 & \partial_{z_2} u_3 \\ \partial_{z_1} u_3 & \partial_{z_2} u_3 & 0 \end{pmatrix}. \quad (43)$$

The continuity of the displacement is easily deduced. From (c')⁻² in (42), v_3^0 does not depend on \mathbf{z}' , and (v_1^0, v_2^0) correspond to a rigid body motion, *i.e.* $v_1^0 = \Omega_a^0 z_2 + V_{1a}^0$ and $v_2^0 = \Omega_a^0 z_1 + V_{2a}^0$, with $(\Omega_a^0, \mathbf{V}_a^0)$ independent of \mathbf{z}' . The periodic boundary conditions in the substrate impose $\Omega_s^0 = 0$;

next, the continuity of the displacement at $z_1 = 0$ imposes $\Omega_p^0 = 0$ in the plates and $\mathbf{v}^0 = \mathbf{V}_p^0 = \mathbf{V}_s^0$ is independent of \mathbf{z}' . From (40)-(41), $\mathbf{u}^0(0^-, \mathbf{x}') = \mathbf{v}^0 = \mathbf{w}^0(0^+, z_2, \mathbf{x}')$, and making use of (17)

$$u_1^0(0^-, \mathbf{x}') = W_1^0(\mathbf{x}'), \quad u_2^0(0^-, \mathbf{x}') = W_2^0(0^+, \mathbf{x}'). \quad (44)$$

For the same reasons, \mathbf{v}^1 is a constant displacement, hence $\mathbf{u}^1(0^-, \mathbf{x}') = \mathbf{w}^1(0^+, z_2, \mathbf{x}')$, but this has now a consequence. Indeed, from (41) for the displacement at order 1, we have necessarily $\partial_{y_1} \mathbf{w}^0(0^+, z_2, \mathbf{x}') = \mathbf{0}$ to ensure that $\mathbf{w}^1(0^+, z_2, \mathbf{x}')$ is finite; from (17), we already know that $\partial_{y_1} w_1^0 = \partial_{y_1} w_3^0 = 0$ but the condition remains for $w_2^0 = W_2^0(y_1, \mathbf{x}')$, hence

$$\frac{\partial W_2^0}{\partial y_1}(0^+, \mathbf{x}') = 0. \quad (45)$$

We now move on the effective conditions on the force. From (c)⁻² in (33), $\text{div}_{\mathbf{z}'} \boldsymbol{\tau}^0 = \mathbf{0}$ that we integrate over $Z = \{z_1 \in (0, z_m), z_2 \in Y\} \cup \{z_1 \in (-z_m, 0), z_2 \in (-\hat{\ell}/2, \hat{\ell}/2)\}$. Accounting for i) $\boldsymbol{\tau}^0 \cdot \mathbf{n}$ continuous at $z_1 = 0$, ii) $\boldsymbol{\tau}^0 \cdot \mathbf{n} = 0$ between the plates and the air, iii) $\boldsymbol{\tau}^0$ periodic at $z_2 = \pm \hat{\ell}/2$ in the substrate, we get that $\int_{-\hat{\ell}/2}^{\hat{\ell}/2} \tau_{1i}^0(-z_m, z_2, \mathbf{x}') dz_2 = \int_Y \tau_{1i}^0(z_m, z_2, \mathbf{x}') dz_2$. In the limit $z_m \rightarrow \infty$ in (40) - (41) along with $\pi_{1i}^0 = 0$ from (16), we get

$$\sigma_{1i}^0(0^-, \mathbf{x}') = 0, \quad i = 1, 2, 3, \quad (46)$$

which tells us that the plates do not couple to the substrate at the dominant order. The coupling appears at the next order, starting with $\text{div}_{\mathbf{z}'} \boldsymbol{\tau}^1 = \mathbf{0}$ from (c)⁻¹. As for $\boldsymbol{\tau}^0$ and using again that $\pi_{1i}^0 = 0$, we get that $\sigma_{1i}^1(0^-, \mathbf{x}') = \pi_{1i}^1(0^+, \mathbf{x}')$; eventually, using π_{1i}^1 in (19), we get

$$\begin{cases} \sigma_{11}^1(0^-, \mathbf{x}') = \rho_p \omega^2 \varphi \hat{h} W_1^0(\mathbf{x}'), & \sigma_{12}^1(0^-, \mathbf{x}') = -\frac{E_p}{(1-\nu_p^2)} \frac{\varphi^3 \hat{\ell}^2}{12} \frac{\partial^3 W_2^0}{\partial y_1^3}(0^+, \mathbf{x}'), \\ \sigma_{13}^1(0^-, \mathbf{x}') = \varphi \hat{h} \left(E_p \frac{\partial^2 W_3^0}{\partial x_3^2}(\mathbf{x}') + \rho_p \omega^2 W_3^0(\mathbf{x}') \right) \end{cases} \quad (47)$$

114 3.4. The final problem

115 The effective problem (3) is obtained for $(\mathbf{u} = \mathbf{u}^0, \boldsymbol{\sigma} = \boldsymbol{\sigma}^0 + \eta \boldsymbol{\sigma}^1)$ in the substrate for $x_1 < 0$,
 116 $(\mathbf{u} = \mathbf{W}^0, \boldsymbol{\sigma} = \boldsymbol{\pi}^0 + \eta \boldsymbol{\pi}^1)$ in the region of the array for $x_1 > 0$. Remembering that $y_1 = x_1/\eta$
 117 and $\hat{h} = h/\eta$, $\hat{\ell} = \ell/\eta^2$, it is easy to see that (i) the Euler-Bernoulli equation in (3) is obtained
 118 from (20), (ii) the effective boundary conditions announced in (5) from (36), (38), (44), (45) and
 119 (46)-(47).

120 4. Numerical validation of the effective problem for a two-dimensional problem

121 In this section, we inspect the validity of the effective problem in a two-dimensional setting
 122 for in-plane waves ($u_3 = 0$, hence $\partial_{x_3} = 0$). We solve numerically the actual problem of an
 123 incident plane wave coming from $x_1 \rightarrow -\infty$ at oblique incidence on the free surface supporting
 124 the array of plates, and Lamb waves are excited in the plates. This is done using a multimodal
 125 method with pseudo-periodic solutions in the soil and Lamb modes in the plates; the method is
 126 detailed in [54]. In the effective problem, the solution is explicit, from (3) - (5) or equivalently
 127 (6)-(7) when the solution in the plates is disregarded.

128 We set the material properties for the elastic substrate: $\nu_s = 0.2$, $E_s = 2$ GPa, $\rho_s = 1000$
 129 Kg.m^{-3} , and for the plates : $\nu_p = 0.3$, $E_p = 2$ GPa, $\rho_p = 500 \text{ Kg.m}^{-3}$, and $\varphi = 0.5$. We choose
 130 $\ell = 1$ m and we set $\eta = \sqrt{k_T \ell} = 0.37$ ($\omega = 124 \text{ rad.s}^{-1}$), hence $\kappa = 0.64 \text{ m}^{-1}$. We shall consider
 131 $h \in (0, 30)$ m resulting in $\kappa h \in (0, 20)$ which includes the first 6 bending modes for $h = h_n$, $n =$
 132 $1, \dots, 6$, and $h_1 \simeq 3$ m, $h_2 \simeq 7.3$ m, $h_3 \simeq 12.3$ m, $h_4 = 17.2$ m, $h_5 = 22.1$ m, $h_6 = 27.0$ m. The
 133 first resonance of the quasi-longitudinal wave along x_1 appears for $h = \pi/(2\omega) \sqrt{E_p/\rho_p} \simeq 25.3$
 134 m, hence it will be visible in our results.

135 4.1. Reflection of elastic waves - the solution of the effective problem

We define the potentials (ϕ, ψ) using the Helmholtz decomposition, with $\mathbf{u} = \nabla\phi + \nabla \times (\psi \mathbf{e}_3)$.
 The incident wave in the substrate is defined in terms of the incident potentials

$$\begin{cases} \phi^{\text{inc}}(x_1, x_2) = A_L^{\text{inc}} e^{i\alpha_L x_1} e^{i\beta x_2}, & \psi^{\text{inc}}(x_1, x_2) = A_T^{\text{inc}} e^{i\alpha_T x_1} e^{i\beta x_2}, \\ \text{with } (\alpha_L, \beta) = k_L (\cos \theta_L, \sin \theta_L), & (\alpha_T, \beta) = k_T (\cos \theta_T, \sin \theta_T), \end{cases} \quad (48)$$

with $k_L = \sqrt{\frac{\rho_s}{\lambda_s + 2\mu_s}} \omega$ and $k_T = \sqrt{\frac{\rho_s}{\mu_s}} \omega$. The solution in the substrate reads

$$\begin{cases} \phi(x_1, x_2) = \phi^{\text{inc}}(x_1, x_2) + (R_{LL} A_L^{\text{inc}} + R_{LT} A_T^{\text{inc}}) e^{-i\alpha_L x_1} e^{i\beta x_2}, \\ \psi(x_1, x_2) = \psi^{\text{inc}}(x_1, x_2) + (R_{TL} A_L^{\text{inc}} + R_{TT} A_T^{\text{inc}}) e^{-i\alpha_T x_1} e^{i\beta x_2}. \end{cases} \quad (49)$$

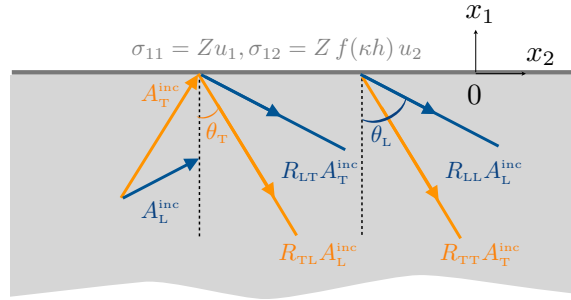


Figure 5: The effective (partial) problem – Reflection of an elastic wave on the surface $x_1 = 0$ where effective boundary conditions (6) apply. The incident wave is defined by (48) and the solution by (49). The arrows show the wavevectors.

The effective problem can be solved explicitly. Accounting for the boundary conditions (6), it is easy to show that

$$\left\{ \begin{array}{l} R_{LL} = \frac{1}{D} \left[\sin 2\theta_T \sin 2\theta_L - \xi^2 \cos^2 2\theta_T - i\xi a (\cos \theta_L - \xi f \cos \theta_T) - \xi a^2 f \cos(\theta_L + \theta_T) \right], \\ R_{TT} = \frac{1}{D} \left[\sin 2\theta_T \sin 2\theta_L - \xi^2 \cos^2 2\theta_T + i\xi a (\cos \theta_L - \xi f \cos \theta_T) - \xi a^2 f \cos(\theta_L + \theta_T) \right], \\ R_{LT} = -\frac{\xi^2 \sin 2\theta_T}{D} (2 \cos 2\theta_T + a^2 f), \quad R_{TL} = \frac{\sin 2\theta_L}{D} (2 \cos 2\theta_T + a^2 f), \\ \text{where } D = \sin 2\theta_T \sin 2\theta_L + \xi^2 \cos^2 2\theta_T - i\xi a (\cos \theta_L + \xi f \cos \theta_T) - \xi a^2 f \cos(\theta_L - \theta_T), \\ f \text{ stands for } f(\kappa h) \text{ in (7) and } \xi = \frac{\sin \theta_L}{\sin \theta_T} = \sqrt{\frac{2(1-\nu_s)}{1-2\nu_s}}, \quad a = \varphi \frac{\rho_p}{\rho_s} k_T h, \end{array} \right. \quad (50)$$

136 (note that $a = Z/(k_T \rho_s)$ in (7)).

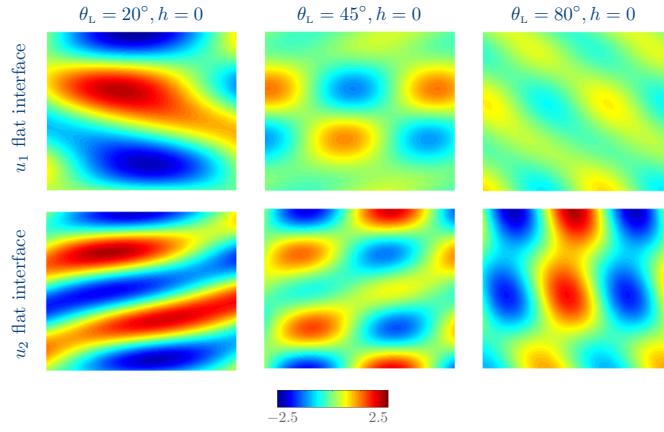


Figure 6: Reference case – Vertical u_1 and horizontal u_2 displacement fields in the absence of array. The fields are shown for $x_1 \in (-100, 0)$ m and $x_2 \in (0, 120)$ m.

Obviously, the same reflection coefficients are obtained by solving the complete problem (3)-(5); we get the displacement fields in the region of the plates $x_1 \in (0, h)$, with

$$\begin{aligned} u_1(x_1, x_2) &= u_1(0, x_2), \quad u_2(x_1, x_2) = u_2(0, x_2)V(x_1), \\ \left\{ \begin{array}{l} u_1(0, x_2) = \frac{2i\xi^2 k_L}{D} \left[\cos \theta_L (\cos 2\theta_T - i \cos \theta_T a f) A_L^{\text{inc}} + (\sin 2\theta_T \cos \theta_L - i \sin \theta_L \cos \theta_T a f) A_T^{\text{inc}} \right] e^{i\beta x_2}, \\ u_2(0, x_2) = \frac{ik_T}{D} \left[\sin 2\theta_L (2 \cos \theta_T - ia) A_L^{\text{inc}} - 2\xi \cos \theta_T (\xi \cos 2\theta_T - ia \cos \theta_L) A_T^{\text{inc}} \right] e^{i\beta x_2}, \\ V(x_1) = \frac{v_1(\kappa h) [\text{ch}\kappa(x_1 - h) + \cos \kappa(x_1 - h)] + v_2(\kappa h) [\text{sh}\kappa(x_1 - h) + \sin \kappa(x_1 - h)]}{2(1 + \text{ch}\kappa h \cos \kappa h)}, \\ \text{with } v_1(\kappa h) = (\text{ch}\kappa h + \cos \kappa h), \quad v_2(\kappa h) = (\text{sh}\kappa h - \sin \kappa h). \end{array} \right. \end{array} \quad (51)$$

137 As a reference case, typical displacement fields (u_1, u_2) for a surface on its own ($h = 0$) are
 138 reported in figure 6. The incident wave is of the form (48) with $A_L^{\text{inc}} = 1/(2\beta)$, $A_T^{\text{inc}} = -1/(2\alpha_T)$
 139 producing an incident horizontal displacement equal to unity at $x_1 = 0$; three incident angles θ_L
 140 are reported. It is worth noting that with $a = 0$ in (50), we recover the reflection coefficients for
 141 a flat interface, see *e.g.* [55].

142 4.2. Weak and strong interactions between plates and substrate

143 The effect of the array is encapsulated in the impedance parameters (a, f) , or equivalently
 144 $(Z = k_T \rho_s a, f)$, whose variations versus $k_T h$ are reported in figure 7. The parameter $Z = \rho_p \omega^2 \phi h$
 145 tells us that heavier plates and higher frequency produce more pronounced coupling with the
 146 substrate, which is not surprising. The parameter f encapsulates the effects of the bending reso-
 147 nances and it diverges when approaching them. This occurs at the frequencies corresponding to
 a clamped- free single plate, in other words $\text{ch}\kappa h \cos \kappa h = -1$.

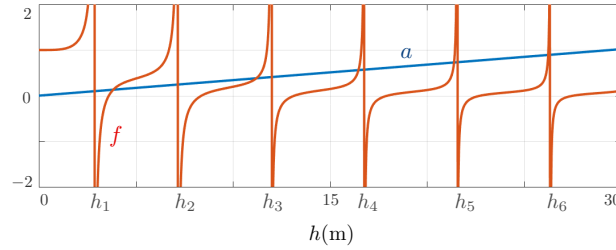


Figure 7: Variations of the impedance parameters $a = Z/(k_T \rho_s)$ in (50), and (Z, f) in (7), versus h . The parameter f diverges at the resonances of the clamped - free plates for $\text{ch}\kappa h \cos \kappa h = -1$.

148 It is worth noting that the impedance condition implying the resonant contribution is used
 149 in [22] in the same configuration considering a spring-mass model. Neglecting the damping
 150 used in this reference and adapting the notation, the impedance parameter f is reduced to $f =$
 151 $1/(1 - \omega^2/\omega_n^2)$ with ω_n a resonance frequency. This relation has to be understood locally in the
 152 vicinity of a single resonance, and from f in figure 7, it is visible that (i) it captures the physics of
 153 a single resonance locally (ii) it should be corrected by a constant C_n depending on the considered
 154 resonance $f = C_n/(1 - \omega^2/\omega_n^2)$ to account for the increase in sharpness of the bending resonances
 155 when h or ω increases.
 156

157 4.2.1. Weak interaction

158 Far from the resonances, the interaction is weak. Indeed, from (6), with Z being small and
 159 $f(\kappa h)$ of the order of unity, the wave impinging the surface sees essentially a flat surface, with
 160 $\sigma_{11} \simeq \sigma_{12} \simeq 0$ at $x_1 = 0$. The resulting patterns, not reported, are indeed similar to those obtained
 161 for a flat interface in figure 6. Since there is not much to be said on the field in the substrate, we
 162 focus on the capability of the complete effective solution to reproduce the actual displacement
 163 in the plates. Figure 8 show a small region of the displacement fields near the interface ($h = 5$
 164 m resulting in $k_T h = 0.7$ and $\theta_L = 45^\circ$). From what we have said (the interaction is weak),
 165 the displacements in the substrate are neatly reproduced. More interestingly, the displacements
 166 in the plates are also accurately reproduced in an "averaged" sense which clearly appears for
 167 the displacement u_1 : in the actual problem, u_1 varies linearly with x_2 within a single plate, in
 168 agreement with (21); this variation at the small scale is superimposed to a variation at large scale,

169 from one plate to the other. The small scale variations do not appear in the homogenized solution
 170 since they vanish on average while the large scale variation is captured. The same occurs for u_2
 171 but in this case, the small scale variations are less visible because they appear at the order 2 (see
 (17) and (27)).

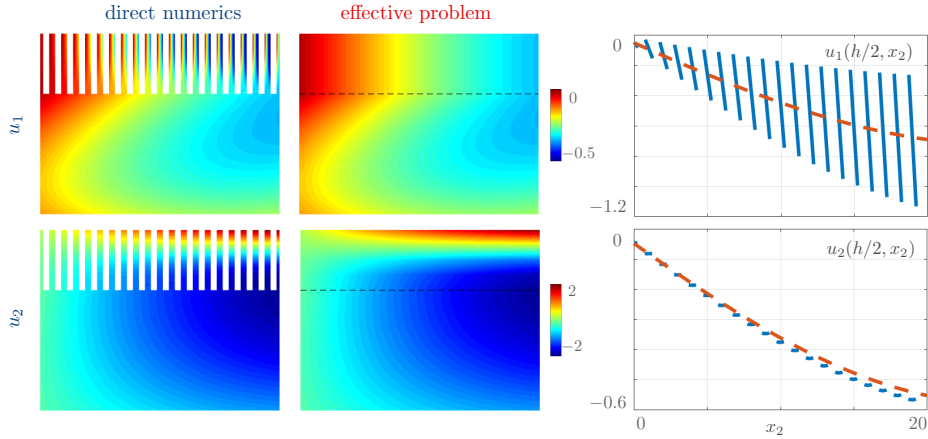


Figure 8: Meaning of the homogenization process – Displacement fields (actual and homogenized) for $x_1 \in (-10, 5)$ m and $x_2 \in (0, 20)$ m ($h = 5$ m, $\theta_L = 45^\circ$).

172

173 4.2.2. Strong coupling near the resonances

174 Strong coupling in the vicinity of the bending resonances can be measured by the amplitudes
 175 of the displacements in the plates. We report in figure 9 the amplitudes of the horizontal displacements
 176 against h , at the bottom and at the top of a single plate. In the actual problem these amplitudes
 177 are calculated by averaging over $x_2 \in (-\ell_p/2, \ell_p/2)$ the profiles $|u_2(0, x_2)|$ and $|u_2(h, x_2)|$
 178 obtained numerically. In the homogenized problem $|u_2(0, x_2)|$ and $|u_2(h, x_2)| = |V(h)u_2(0, x_2)|$ are
 179 given in closed-forms from (51).

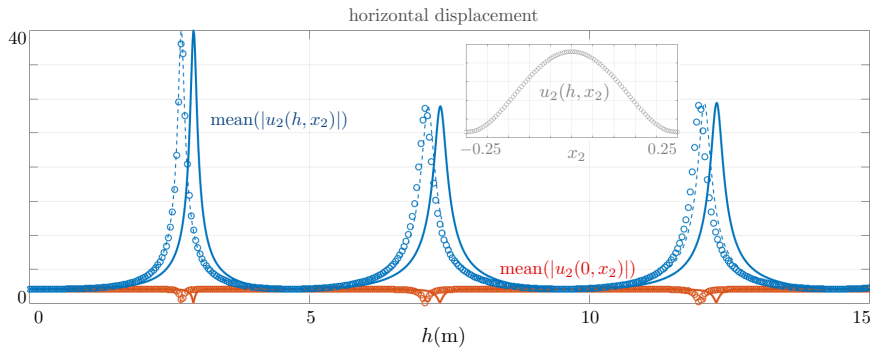


Figure 9: Amplitude of u_2 at the bottom $x_1 = 0$ and at the top $x_1 = h$ of a plate against h , from direct numerics (symbols) and from the effective solution (51) (plain line); $\theta_L = 45^\circ$. Shifts in the resonances $h \rightarrow h - h_0$, with $h_0 = 0.22$ m are compensated (dashed line). The inset shows the actual variation of $u_2(h, x_2)$ within a single plate with variations as small as about 10^{-4} with respect to the mean value.

For $h \in (0, 15)$ m, the first three bending resonances are visible by means of high displacements at the top of the plates (up to 40 times the amplitude of the incident wave in the reported case). It is also visible by means of vanishing amplitude at the bottom of the plate, in agreement with (51) for $f \rightarrow \infty$. Hence, near the bending resonances, the plates are clamped and they impose a vanishing horizontal displacement at the interface with the substrate, a fact already mentioned in [22]. In the substrate, the resulting displacements are significantly impacted. Large values of $f(\kappa h)$ produce $R_{LL} \simeq -1$, $R_{TT} \simeq 1$ and $R_{TL} \simeq R_{LT} \simeq 0$ in (50), hence

$$\begin{cases} u_1(x_1, x_2) \simeq 2ik_L \cos \theta_L (A_L^{\text{inc}} \cos \alpha_L x_1 + A_T^{\text{inc}} \tan \theta_L \cos \alpha_T x_1) e^{i\beta x_2}, \\ u_2(x_1, x_2) \simeq 2k_T \cos \theta_T (-A_L^{\text{inc}} \tan \theta_L \sin \alpha_L x_1 + A_T^{\text{inc}} \sin \alpha_T x_1) e^{i\beta x_2}, \end{cases} \quad (52)$$

180 corresponding to a superposition of standing waves. Examples of resulting patterns are shown
 181 in figure 10 for the first three bending resonances to be compared with those obtained for a flat
 182 interface in figure 6. It is worth noting that in figure 10 we have accounted for the shift in h_n ,

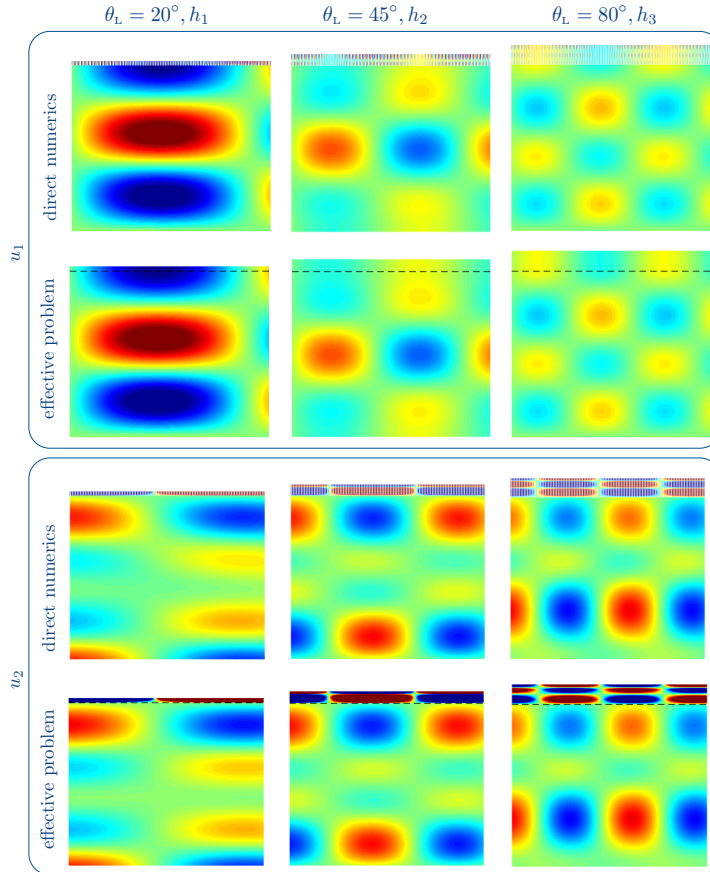


Figure 10: Strong coupling of the array near the three first bending resonances – The values of h_n , $n = 1, 2, 3$ have been taken from figure 9 at the maximum displacements in the direct numerics and in the homogenized solution. Same representation as in figure 6.

183 $n = 1, 2, 3$ in the homogenized solution from figure 9, where a systematic shift of the effective
 184 solution $h \rightarrow h - h_0$, with $h_0 = 0.22$ m in the present case.

185 *4.3. Occurrence of the first longitudinal resonance*

186 To go further in the analysis, we report in figure 11 the reflection coefficients against $h \in$
 187 $(0, 25)$ m and $\theta \in (0, 90^\circ)$. We represent the real and imaginary parts of the 4 reflection coeffi-
 188 cients. As previously said, our analysis does not hold at and above the first longitudinal reso-
 189 nance, which appears for $h \simeq 25.3$ m (hence $\kappa h = 3.4$); expectedly, the effective model indeed
 190 breaks down at this high value but it remains surprisingly accurate up to $h \sim 15$ m (hence
 $k_T h \sim 2$).

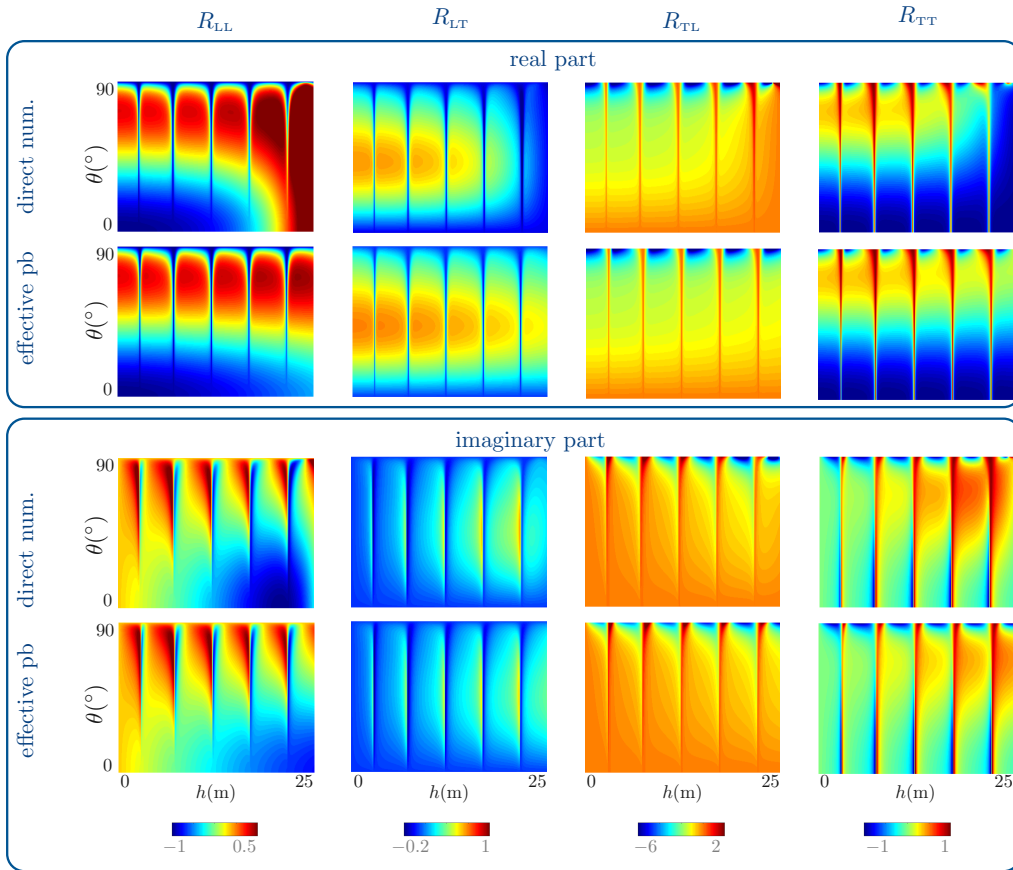


Figure 11: Accuracy of the effective model on the reflection coefficients – Real and imaginary parts of the four reflection coefficients versus h and θ . The solution of the effective problem, (50) (second row) reproduces accurately the direct numerical solution of the actual problem (first row) up to the occurrence of the first longitudinal resonance for $h \simeq 25.3$ m.

191 The occurrence of this resonance is visible by means of the amplitude of the vertical displac-
 192 e-
 193 ment $u_1(0, x_2)$, which is reported in figure 12 against h . We observe the same trends as for the
 194 bending modes. Far from the resonance, the displacement is essentially the same as for a surface

195 on its own; at the longitudinal resonance, it tends to zero resulting in clamped- free conditions
 196 for the plates. However, it is also visible that rapid variations of the displacements due to mul-
 197 tiple bending resonances superimpose to the smooth variations of the displacement due to the
 198 longitudinal resonance.

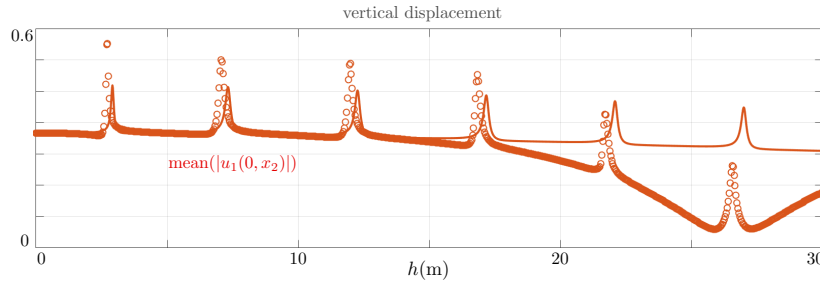


Figure 12: Occurrence of the first resonance in reflection – Variation of the amplitude of the vertical displacement $u_1(0, x_2)$ at the bottom of the plates. The bending resonances are superimposed to this resonance which produces a almost clamped condition $u_1(0, x_2) = 0$ for $h \approx 25.3$ m.

199 5. Conclusion

200 We have studied the interaction of an array of plates or beams with an elastic half-space u-
 201 sing asymptotic analysis and homogenization techniques. The resulting models (3)-(5) for plates
 202 and (B.1)-(B.3) for beams provide one-dimensional propagation problems which in their simpler
 203 form consist in effective boundary conditions at the surface of the ground, (6) for plates and (B.5)
 204 for beams. The exception for plates in the boundary condition σ_{13} in (5) is incidental for in-plane
 205 incidence but it is interesting since it provides non trivial coupling for arbitrary incidence. For in-
 206 plane incidence, the model has been validated by comparison with direct numerical simulations
 207 which show an overall good agreement. In particular, the displacement fields obtained in a
 208 closed-form accurately reproduce the actual ones; this is of practical importance for applications
 209 to site-city interaction where the displacements at the bottom and at the top of buildings are
 210 relevant quantities to measure the risk of building damage.

211 Our models have been obtained owing to a deductive approach which applies to a wide va-
 212 riety of problems. An important point is that the analysis does not assume a preliminary model
 213 reduction for the resonator on its own and as such, it can be conducted at any order. Higher
 214 order models would involve enriched transmission and boundary conditions able to capture more
 215 subtle effects as the shift in the resonance frequencies visible in the figure 9 or the presence
 216 of heterogeneity at the roots and at the top of the bodies as it has been done in [36]. Next,
 217 we have considered bodies with sufficient symmetry resulting in a diagonal rigidity matrices
 218 and which allow for easier calculations. When symmetries are lost, and the simplest case is
 219 that of beams with rectangular cross-sections, the calculations are similar; they will produce
 220 couplings for incidences as soon as the horizontal component does not coincide with one of
 221 the two principal directions. Additional complexities can be accounted for straightforwardly, as
 222 orthotropic anisotropy along x_1 or slow variations in the cross-section. Eventually, the models
 223 are restricted to the low frequency regime where only the flexural resonances take place. At the
 224 threshold of the first longitudinal resonance, they fail as illustrated in figure 12. Extension of the

225 present work consists in adapting the homogenization procedure in order to capture both flexural
 226 and longitudinal resonances at higher frequencies.

227 Acknowledgements

228 A. M. and S.G. acknowledge insightful discussions with Philippe Roux at the Institute IS-
 229 Terre of the University of Grenoble-Alpes. S.G. is also thankful for a visiting position in the
 230 group of Richard Craster within the Department of Mathematics at imperial College London in
 231 2018-2019.

232 Appendix A. Remark on the solution in the region of the plates

From the boundary conditions (5), $\frac{\partial^2 u_2}{\partial x_1^2}(h, x_2) = \frac{\partial^3 u_2}{\partial x_1^3}(h, x_2) = 0$ and $u_2(0^+, x_2) = u_2(0^-, x_2)$,
 $\frac{\partial u_2}{\partial x_1}(0^+, x_2) = 0$, the general solution for $x_1 \in (0, h)$ reads as follows

$$\left\{ \begin{array}{l} u_2(x_1, x_2) = A(x_2) \{a(\kappa h) [\text{ch}\kappa(x_1 - h) + \cos \kappa(x_1 - h)] + b(\kappa h) [\text{sh}\kappa(x_1 - h) + \sin \kappa(x_1 - h)]\}, \\ \text{with } a(\kappa h) = (\text{ch}\kappa h + \cos \kappa h), \quad b(\kappa h) = (\text{sh}\kappa h - \sin \kappa h). \end{array} \right. \quad (\text{A.1})$$

The displacement u_2 is continuous at $x_1 = 0$ and we have $2A(x_2)(1 + \text{ch}\kappa h \cos \kappa h) = u_2(0, x_2)$,
 hence

$$\left\{ \begin{array}{l} u_2(x_1, x_2) = u_2(0, x_2)V(x_1), \\ V(x_1) = \frac{a(\kappa h) [\text{ch}\kappa(x_1 - h) + \cos \kappa(x_1 - h)] + b(\kappa h) [\text{sh}\kappa(x_1 - h) + \sin \kappa(x_1 - h)]}{2(1 + \text{ch}\kappa h \cos \kappa h)}. \end{array} \right. \quad (\text{A.2})$$

233 Obviously, this holds except at the resonance frequencies of the plates for $\text{ch}\kappa h \cos \kappa h = -1$
 234 which imposes $u_2(0, x_2) = 0$ (and eigenmodes in the region of the plates). It follows that the
 235 relation on $\sigma_{12}(0^-, \mathbf{x}')$ in (5) becomes $\sigma_{12}(0^-, \mathbf{x}') = -(D_p/\ell)V''''(0) u_2(0, x_2)$, with $V''''(0) =$
 236 $-\kappa^4 h f(\kappa h)$, with $f(\kappa h)$ in (6). With $\sigma_{12}(0^-, \mathbf{x}') = (\kappa^4 D_p h/\ell)f(\kappa h) u_2(0, x_2)$ and $\kappa^4 D_p = \rho_p \omega^2 \varphi \ell$,
 we recover the form announced in (6).

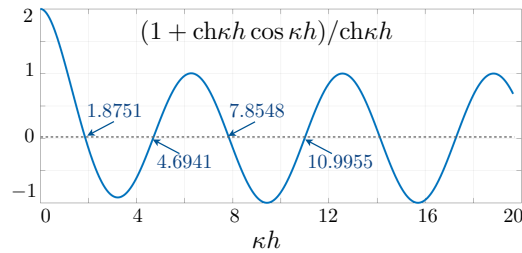


Figure A.13: Bending resonances in the region of the plates (clamped/stress free conditions).

237

238 **Appendix B. Main steps of the derivation for an array of circular beams**

Let us derive in this Appendix the effective model for circular beams of radius r_p , for which all the derivations are analytical; the circular beams are periodically located in a square array whose unit cell has a section area S (figure 1(b)). In this case, the complete formulation of the problem reads

$$\left\{ \begin{array}{l} \text{In the substrate, } x_1 \in (-\infty, 0) : \quad \operatorname{div} \boldsymbol{\sigma} + \rho_s \omega^2 \mathbf{u} = \mathbf{0}, \quad \boldsymbol{\sigma} = 2\mu_s \boldsymbol{\varepsilon} + \lambda_s \operatorname{tr}(\boldsymbol{\varepsilon}) \mathbf{I}, \\ \text{In the region of the beams, } x_1 \in (0, h) : \quad \frac{\partial^4 u_\alpha}{\partial x_1^4} - \kappa^4 u_\alpha = 0, \quad \alpha = 2, 3, \quad \kappa = \left(\frac{\rho_p \omega^2 \pi r_p^2}{D_p} \right)^{1/4}, \end{array} \right. \quad (\text{B.1})$$

where

$$D_p = E_p \frac{\pi r_p^4}{4}, \quad (\text{B.2})$$

is the flexural rigidity of the circular beams, complemented by the boundary conditions

$$\left\{ \begin{array}{l} \sigma_{11}(0^-, \mathbf{x}') = \rho_p \omega^2 \varphi h u_1(0, x_2), \\ \sigma_{1\alpha}(0^-, \mathbf{x}') = -\frac{D_p}{S} \frac{\partial^3 u_\alpha}{\partial x_1^3}(0^+, x_2), \\ u_\alpha(0^+, \mathbf{x}') = u_\alpha(0^-, \mathbf{x}'), \quad \frac{\partial u_\alpha}{\partial x_1}(0^+, \mathbf{x}') = 0, \\ \frac{\partial^2 u_\alpha}{\partial x_1^2}(h, \mathbf{x}') = \frac{\partial^3 u_\alpha}{\partial x_1^3}(h, \mathbf{x}') = 0, \quad \alpha = 2, 3. \end{array} \right. \quad (\text{B.3})$$

where $\varphi = \pi r_p^2 / S$. It follows that the problem can be thought in the substrate only, with

$$\operatorname{div} \boldsymbol{\sigma} + \rho_s \omega^2 \mathbf{u} = \mathbf{0}, \quad \boldsymbol{\sigma} = 2\mu_s \boldsymbol{\varepsilon} + \lambda_s \operatorname{tr}(\boldsymbol{\varepsilon}) \mathbf{I}, \quad x_1 \in (-\infty, 0), \quad (\text{B.4})$$

along with the boundary conditions of the Robin's type

$$\left\{ \begin{array}{l} \sigma_{11}(0, \mathbf{x}') = Z u_1(0, \mathbf{x}'), \\ \sigma_{1\alpha}(0, \mathbf{x}') = Z f(\kappa h) u_\alpha(0, \mathbf{x}'), \end{array} \right. \quad (\text{B.5})$$

239 where Z and $f(\kappa h)$ are defined in (7) (we used that $D_p \kappa^4 = \rho_p \omega^2 \pi r_p^2$).

240 *Appendix B.1. Effective wave equation in the region of the beams*

241 *Appendix B.1.1. Notations*

We shall use the same expansions as in (9) but now, the terms \mathbf{w}^n and $\boldsymbol{\pi}^n$ depend on $\mathbf{z}' = (z_2, z_3)$ (and not only on z_2) and we seek to establish the effective behaviour in the region of the array in terms of macroscopic averaged fields

$$\overline{\mathbf{w}^n}(y_1, \mathbf{x}') = \frac{1}{\varphi \hat{S}} \int_Y \mathbf{w}^n(y_1, \mathbf{z}', \mathbf{x}') d\mathbf{z}', \quad \overline{\boldsymbol{\pi}^n}(y_1, \mathbf{x}') = \frac{1}{\hat{S}} \int_Y \boldsymbol{\pi}^n(y_1, \mathbf{z}', \mathbf{x}') d\mathbf{z}', \quad (\text{B.6})$$

where $\mathbf{x}' = (x_2, x_3)$ and Y represents the circular section of the beam $Y = \left\{ \sqrt{z_2^2 + z_3^2} \leq \hat{r} \right\}$, with $\hat{r} = r_p/\eta^2$. It is worth noting that it is sufficient to replace z_2 by \mathbf{z}' in (10) to (15); in particular, we have

$$\nabla \rightarrow \frac{\mathbf{e}_1}{\eta} \frac{\partial}{\partial y_1} + \frac{1}{\eta^2} \nabla_{\mathbf{z}'} + \nabla_{\mathbf{x}'}. \quad (\text{B.7})$$

and

$$\boldsymbol{\varepsilon}^{\mathbf{z}'}(\mathbf{w}) = \frac{1}{2} \begin{pmatrix} 0 & \frac{1}{2} \partial_{z_2} w_1 & \frac{1}{2} \partial_{z_3} w_1 \\ \frac{1}{2} \partial_{z_2} w_1 & \partial_{z_2} w_2 & \frac{1}{2} (\partial_{z_3} w_2 + \partial_{z_2} w_3) \\ \frac{1}{2} \partial_{z_3} w_1 & \frac{1}{2} (\partial_{z_3} w_2 + \partial_{z_2} w_3) & \partial_{z_3} w_3 \end{pmatrix}. \quad (\text{B.8})$$

242 Appendix B.1.2. Sequence of resolution and main results of the analysis

243 The analysis is made more involved since the problem is two-dimensional in the rescaled
244 coordinate \mathbf{z}' . The procedure is thus more complex. It is as follow:

1. We establish that

$$\overline{\pi_{11}^0} = 0, \quad (\text{B.9})$$

and the dependence of \mathbf{w}^0 on (z_2, z_3) , specifically

$$w_1^0 = W_1^0(\mathbf{x}'), \quad w_\alpha^0 = W_\alpha^0(y_1, \mathbf{x}'), \quad (\text{B.10})$$

2. We deduce the form of π^0 and of \mathbf{w}^1

$$\begin{cases} \pi_{11}^0 = -E_p \frac{\partial^2 W_\alpha^0}{\partial y_1^2}(y_1, \mathbf{x}') z_\alpha, & \pi_{1\alpha}^0 = \pi_{\alpha\beta}^0 = 0, \\ w_1^1 = W_1^1(\mathbf{x}') - \frac{\partial W_\alpha^0}{\partial y_1}(y_1, \mathbf{x}') z_\alpha, & w_\alpha^1 = W_\alpha^1(y_1, \mathbf{x}'). \end{cases} \quad (\text{B.11})$$

3. eventually the form of $\overline{\pi_{1i}^1}$ and the Euler-Bernoulli equation for the bending W_α^0 , $\alpha = 2, 3$.
Specifically

$$\begin{cases} \overline{\pi_{11}^1}(y_1, \mathbf{x}') = \rho_p \omega^2 \varphi W_1^0(\mathbf{x}') (\hat{h} - y_1), \\ \overline{\pi_{1\alpha}^1}(y_1, \mathbf{x}') = -E_p \frac{\varphi \hat{r}^2}{4} \frac{\partial^3 W_\alpha^0}{\partial y_1^3}(y_1, \mathbf{x}'), \end{cases} \quad (\text{B.12})$$

and

$$E_p \frac{\hat{r}^2}{4} \frac{\partial^4 W_\alpha^0}{\partial y_1^4} - \rho_p \omega^2 W_\alpha^0 = 0. \quad (\text{B.13})$$

245

246 Appendix B.1.3. First step: $\overline{\pi_{11}^0}$ in (B.9) and \mathbf{w}^0 in (B.10)

247 This step is not very demanding. From $(E_1)^{-1}$ in (13), $\partial_{y_1} \pi_{11}^0 + \partial_{z_\alpha} \pi_{1\alpha}^0 = 0$, which after
248 integration over Y leaves us with $\partial_{y_1} \overline{\pi_{11}^0} = 0$; anticipating $\overline{\pi_{11}^0} = 0$ at the top of the beams (as we
249 did for the plates), we get $\overline{\pi_{11}^0} = 0$ everywhere, as announced in (B.9).

Now, from $(C'_{1\alpha})^{-2}$ in (14), $\partial_{z_\alpha} w_1^0 = 0$ and from $(C'_{11})^{-1}$ $\partial_{y_1} w_1^0 = 0$. It follows that w_1^0 depends only on \mathbf{x}' , in agreement with (B.10). From $(C'_{\alpha\beta})^{-2}$, w_α^0 is a rigid body motion *i.e.*

$$w_\alpha^0 = W_\alpha^0(y_1, \mathbf{x}') + \Omega^0(y_1, \mathbf{x}')(\mathbf{e}_1, \mathbf{z}, \mathbf{e}_\alpha), \quad (\text{B.14})$$

with $(\mathbf{e}_1, \mathbf{z}, \mathbf{e}_\alpha) = \mathbf{e}_1 \cdot (\mathbf{z} \times \mathbf{e}_\alpha)$ being the triple product, and we shall establish that $\Omega^0 = 0$. To do so we infer, from $(C'_{1\alpha})^{-1}$, that

$$\partial_{z_\alpha} w_1^1 + \partial_{y_1} w_\alpha^0 = 0 \rightarrow \partial_{y_1} (\partial_{z_2} w_3^0 - \partial_{z_3} w_2^0) = 0. \quad (\text{B.15})$$

250 Inserting (B.14) in (B.15) tells us that Ω^0 does not depend on y_1 and anticipating the matching
251 condition with the displacement in the substrate which imposes that $\Omega^0 = 0$ at $y_1 = 0$, we deduce
252 that $\Omega^0 = 0$ everywhere, and (B.14) reduces to the form of w_α^0 announced in (B.10).

253 *Appendix B.1.4. Second step: (π^0, \mathbf{w}^1) in (B.11)*

We start by determining \mathbf{w}^1 incompletely (compared to what is announced in (B.10)). For w_1^1 , we come back to $\partial_{z_\alpha} w_1^1 + \partial_{y_1} w_\alpha^0 = 0$ in (B.15), and w_α^0 in (B.10) provides us with

$$w_1^1 = W_1(y_1, \mathbf{x}') - \frac{\partial W_\alpha^0}{\partial y_1}(y_1, \mathbf{x}') z_\alpha, \quad (\text{B.16})$$

and it remains for us to show that W_1 does not depend on y_1 ; this will be done after π_{11}^0 has been determined. Next, from $(C'_{\alpha\beta})^{-1}$, w_α^1 is a rigid body motion, hence

$$w_\alpha^1 = W_\alpha^1(y_1, \mathbf{x}') + \Omega^1(y_1, \mathbf{x}')(\mathbf{e}_1, \mathbf{z}, \mathbf{e}_\alpha). \quad (\text{B.17})$$

Now, we shall prove that $\Omega^1 = 0$; this will be done once $\pi_{1\alpha}^0$ have been determined. For the time being, we pursue the calculations by setting the boundary value problem set in Y on the unknowns $(\pi_{\alpha\beta}^0, w_\alpha^2)$. From $(E_\alpha)^{-2}$ and $(C_{\alpha\beta})^0$ in (13), it reads

$$\begin{cases} \partial_{z_\beta} \pi_{\alpha\beta}^0 = 0, & \pi_{\alpha\beta}^0 = 2\mu_p (\boldsymbol{\varepsilon}_{\alpha\beta}^{\mathbf{x}'}(\mathbf{w}^0) + \boldsymbol{\varepsilon}_{\alpha\beta}^{\mathbf{z}'}(\mathbf{w}^2)) + \lambda_p (\partial_{y_1} w_1^1 + \boldsymbol{\varepsilon}_{\gamma\gamma}^{\mathbf{x}'}(\mathbf{w}^0) + \boldsymbol{\varepsilon}_{\gamma\gamma}^{\mathbf{z}'}(\mathbf{w}^2)) \delta_{\alpha\beta}, & \text{in } Y, \\ \pi_{\alpha\beta}^0 n_\beta = 0 & \text{on } \partial Y, \end{cases} \quad (\text{B.18})$$

with \mathbf{w}^0 known from (B.10) and w_1^1 from (B.16) at this stage. It is easy to check that the solution of this boundary value problem is

$$\begin{cases} \pi_{\alpha\beta}^0 = 0, \\ w_\alpha^2 = -\boldsymbol{\varepsilon}_{\alpha\beta}^{\mathbf{x}'}(\mathbf{w}^0) z_\beta - \frac{\lambda_p}{2(\mu_p + \lambda_p)} z_\alpha \frac{\partial W_1}{\partial y_1}(y_1, \mathbf{x}') + \frac{\lambda_p}{2(\mu_p + \lambda_p)} g_\alpha + W_\alpha^2(y_1, \mathbf{x}') + \Omega^2(y_1, \mathbf{x}')(\mathbf{e}_1, \mathbf{z}, \mathbf{e}_\alpha), \end{cases} \quad (\text{B.19})$$

where

$$g_2 = \left(\frac{z_2^2}{2} - \frac{z_3^2}{2} \right) \frac{\partial^2 W_2^0}{\partial y_1^2} + z_2 z_3 \frac{\partial^2 W_3^0}{\partial y_1^2}, \quad g_3 = \left(\frac{z_3^2}{2} - \frac{z_2^2}{2} \right) \frac{\partial^2 W_3^0}{\partial y_1^2} + z_2 z_3 \frac{\partial^2 W_2^0}{\partial y_1^2}. \quad (\text{B.20})$$

The above form of w_α^2 along with w_α^0 in (B.10) can now be used to find $\pi_{11}^0 = (2\mu_p + \lambda_p) \partial_{y_1} w_1^1 + \lambda_p (\partial_{x_\alpha} w_\alpha^0 + \partial_{z_\alpha} w_\alpha^2)$, and we get

$$\pi_{11}^0 = E_p \left(\frac{\partial W_1}{\partial y_1}(y_1, \mathbf{x}') - \frac{\partial^2 W_\alpha^0}{\partial y_1^2}(y_1, \mathbf{x}') z_\alpha \right), \quad (\text{B.21})$$

254 where we used that $E_p = \mu_p(2\mu_p + 3\lambda_p)/(\mu_p + \lambda_p)$. It is now sufficient to remember that $\overline{\pi_{11}^0} = 0$ to
 255 get that $\partial_{y_1} W_1 = 0$, hence the above expression of π_{11}^0 simplifies to the form announced in (B.11)
 256 and w_1^1 in (B.16) simplifies to that in (B.11).

We now use the boundary value problem set in Y on the unknowns $(\pi_{1\alpha}^0, w_1^2)$. From $(E_1)^{-2}$ and $(C_{1\alpha})^0$ in (13), it reads as follows

$$\begin{cases} \partial_{z_\alpha} \pi_{1\alpha}^0 = 0, & \pi_{1\alpha}^0 = \mu_p (\partial_{y_1} w_1^1 + \partial_{x_\alpha} w_1^0 + \partial_{z_\alpha} w_1^2), & \text{in } Y, \\ \pi_{1\alpha}^0 n_\alpha = 0, & \text{on } \partial Y, \end{cases} \quad (\text{B.22})$$

with w_1^0 known from (B.10) and w_1^1 from (B.17) at this stage. The solution is again found to be of the form

$$\begin{cases} \pi_{1\alpha}^0 = \mu_p \frac{\partial \Omega^1}{\partial y_1}(y_1, \mathbf{x}')(\mathbf{e}_1, \mathbf{z}, \mathbf{e}_\alpha), \\ w_1^2 = W_1^2(y_1, \mathbf{x}') - z_\alpha \left(\frac{\partial W_\alpha^1}{\partial y_1}(y_1, \mathbf{x}') + \frac{\partial W_1^0}{\partial x_\alpha}(\mathbf{x}') \right), \end{cases} \quad (\text{B.23})$$

and we see that $\Omega^1 = 0$ implies $\pi_{1\alpha}^0 = 0$. To show that $\Omega^1 = 0$, we use $\partial_{y_1} \pi_{1\alpha}^0 + \partial_{z_\beta} \pi_{\alpha\beta}^1 = 0$ which we infer from $(E_\alpha)^{-1}$. Multiplying by $\mathbf{v} = v_\alpha \mathbf{e}_\alpha$ with the triple product $v_\alpha = (\mathbf{e}_1, \mathbf{z}, \mathbf{e}_\alpha)$ and integrating over Y , we find that

$$\int_Y v_\alpha \partial_{y_1} \pi_{1\alpha}^0 \, d\mathbf{z}' + \int_{\partial Y} v_\alpha \pi_{\alpha\beta}^1 n_\beta \, dl - \int_Y \partial_{z_\beta} v_\alpha \pi_{\alpha\beta}^1 \, d\mathbf{z}' = 0. \quad (\text{B.24})$$

Since π^1 is symmetric and $\nabla \mathbf{v}$ is anti-symmetric, we have $\partial_{z_\beta} v_\alpha \pi_{\alpha\beta}^1 = 0$, and $\pi_{\alpha\beta}^1 n_\beta = 0$ on ∂Y . Hence, (B.24) reduces to

$$\int_Y v_\alpha \frac{\partial \pi_{1\alpha}^0}{\partial y_1} \, d\mathbf{z}' = 0 \rightarrow \frac{\partial^2 \Omega^1}{\partial y_1^2}(y_1, \mathbf{x}') \int_Y (\mathbf{e}_1, \mathbf{z}, \mathbf{e}_\alpha)^2 \, d\mathbf{z}' = 0. \quad (\text{B.25})$$

257 Next, with $(\mathbf{e}_1, \mathbf{z}, \mathbf{e}_\alpha)^2 = \mathbf{z}^2$ whose integral does not vanish, we obtain that $\partial_{y_1} \Omega^1$ does not depend
 258 on y_1 ; anticipating that $\partial_{y_1} \Omega^1(\hat{h}, \mathbf{x}') = 0$ and $\Omega^1(\hat{h}, \mathbf{x}') = 0$, we deduce that $\Omega^1 = 0$ everywhere.
 259 It follows that $\pi_{1\alpha}^0 = 0$, from (B.23), and that $w_1^1 = W_\alpha^1(y_1, \mathbf{x}')$, from (B.17), in agreement with
 260 (B.11).

261 *Appendix B.1.5. Third step: $\overline{\pi_{1i}^1}$ in (B.12) and the Euler-Bernoulli equations in (B.13)*

This starts with $(E)^0$ in (13) integrated over Y , specifically

$$\frac{\partial \overline{\pi_{11}^1}}{\partial y_1} + \rho_p \omega^2 \varphi W_1^0 = 0, \quad \frac{\partial \overline{\pi_{1\alpha}^1}}{\partial y_1} + \rho_p \omega^2 \varphi W_\alpha^0 = 0, \quad (\text{B.26})$$

262 where we have used that $\overline{\pi^0} = 0$ from (B.9) and (B.11) and $\pi^2 \mathbf{n}|_{\partial Y} = \mathbf{0}$. Since W_1^0 depends only
 263 on \mathbf{x}' , and anticipating that $\overline{\pi_{11}^1}(\hat{h}, \mathbf{x}') = 0$, we obtain by integration the form of $\overline{\pi_{11}^1}$ in (B.12).

To get $\overline{\pi_{1\alpha}^1}$, we multiply $(E_1)^{-1}$ (which reads $\partial_{y_1} \pi_{11}^0 + \partial_{z_\beta} \pi_{1\beta}^1 = 0$, with π_{11}^0 in (B.11)) by z_α and integrate over Y to find that

$$E_p \frac{\partial^3 W_\beta^0}{\partial y_1^3}(y_1, \mathbf{x}') \int_Y z_\alpha z_\beta \, ds + \int_Y \pi_{1\beta}^1 \delta_{\alpha\beta} \, ds = 0, \quad (\text{B.27})$$

where we have used that $\pi_{1\beta}^1 n_{\beta 1} = 0$. For the circular cross-section of the beams, $\int_Y z_2 z_3 d\mathbf{z}' = 0$ and $\int_Y z_2^2 d\mathbf{z}' = \int_Y z_3^2 d\mathbf{z}' = \pi \hat{r}^4 / 4$. It follows that

$$\hat{S} \overline{\pi_{1\alpha}^1}(y_1, \mathbf{x}') = -E_p \frac{\pi \hat{r}^4}{4} \frac{\partial^3 W_\alpha^0}{\partial y_1^3}(y_1, \mathbf{x}'), \quad (\text{B.28})$$

in agreement with (B.12) (with $\varphi \hat{S} = \pi \hat{r}^2$). Coming back to (B.26) with the above form of $\overline{\pi_{1\alpha}^1}$, we deduce that

$$E_p \frac{\pi \hat{r}^4}{4} \frac{\partial^4 W_\alpha^0}{\partial y_1^4} - \rho_p \omega^2 \varphi \hat{S} W_\alpha^0 = 0, \quad (\text{B.29})$$

264 in agreement with (B.13).

265 Appendix B.2. Effective boundary conditions at the top of the array of beams

As we have done in (30), we consider the following expansions for the displacement and stress

$$\mathbf{u} = \sum_{n \geq 0} \eta^n \mathbf{v}^n(\mathbf{z}, \mathbf{x}'), \quad \boldsymbol{\sigma} = \sum_{n \geq 0} \eta^n \boldsymbol{\tau}^n(\mathbf{z}, \mathbf{x}'). \quad (\text{B.30})$$

We use (e) in (33) (with $\mathbf{z}' \rightarrow \mathbf{z}$) which provide us with $\text{div}_{\mathbf{z}} \boldsymbol{\tau}^0 = \text{div}_{\mathbf{z}} \boldsymbol{\tau}^1 = \mathbf{0}$, and this makes the calculations identical to those conducted in §3.2 for the plates when integrating over $Z = \{z_1 \in (-\infty, 0), \mathbf{z}' \in Y\}$. We thus obtain

$$\overline{\pi_{1i}^0}(\hat{h}, \mathbf{z}', \mathbf{x}') = \overline{\pi_{1i}^1}(\hat{h}, \mathbf{z}', \mathbf{x}') = 0, \quad i = 1, 2, 3, \quad (\text{B.31})$$

(see (35)). The conditions on $\overline{\pi_{1i}^0}$ are consistent with (B.9) and (B.11). The condition on $\overline{\pi_{11}^1}$ is that anticipated to find (B.12). Eventually, the condition on $\overline{\pi_{1\alpha}^1}$ combined with (B.12) provides the conditions of zero shear force

$$\frac{\partial^3 W_\alpha^0}{\partial y_1^3}(\hat{h}, \mathbf{x}') = 0. \quad (\text{B.32})$$

To derive the condition of zero bending moment, we proceed the same as we have done in (B.24); with $\mathbf{v} = v_\alpha \mathbf{e}_\alpha$ and $v_\alpha = (\mathbf{e}_1, \mathbf{z}, \mathbf{e}_\alpha)$, we consider the vanishing integral $\int_Z v_\alpha \partial_{z_i} \tau_{i\alpha}^0 dv = 0$, hence

$$\int_{\partial Z} v_\alpha \tau_{i\alpha}^0 n_i = 0, \quad (\text{B.33})$$

where we have used that $\partial_{z_i} v_\alpha \tau_{i\alpha}^0 = 0$ by construction. Because $\boldsymbol{\tau}^0 \cdot \mathbf{n}$ vanishes on ∂Z except at the bottom face $z_1 = -z_m$ and passing to the limit $z_m \rightarrow +\infty$, this integral reduces to

$$\int_Y v_\alpha \pi_{1\alpha}^0(\hat{h}, \mathbf{z}', \mathbf{x}') ds = 0. \quad (\text{B.34})$$

Making use of (B.23) leads to the anticipated boundary condition

$$\frac{\partial \Omega^1}{\partial y_1}(\hat{h}, \mathbf{x}') = 0, \quad (\text{B.35})$$

that we have used to get $\pi_{1\alpha}^0 = 0$. It remains to derive the condition of zero bending moment. By considering $\mathbf{a} = z_\alpha \mathbf{e}_1 - z_1 \mathbf{e}_\alpha$ and integrating over Z the scalar $\mathbf{a} \cdot \text{div}_{\mathbf{z}} \boldsymbol{\tau}^0$ (since $\text{div}_{\mathbf{z}} \boldsymbol{\tau}^0 = \mathbf{0}$), we found that

$$0 = \int_{\partial Z} a_i \tau_{ij}^0 n_j \, ds = - \int_Y z_\alpha \tau_{11}^0|_{z_1=-z_m} \, ds - z_m \int_Y \tau_{1\alpha}^0|_{z_1=-z_m} \, ds. \quad (\text{B.36})$$

Since we have in addition $0 = \int_{\partial Z} \tau_{ij}^0 n_j \, ds = \int_Y \tau_{1\alpha}^0|_{z_1=-z_m} \, ds$, we can pass to the limit $z_m \rightarrow \infty$, and get $0 = \int_Y z_\alpha \tau_{11}^0 \rightarrow \overline{z_\alpha \pi_{11}^0}(\hat{h}, \mathbf{x}')$. Now accounting for π_{11}^0 in (B.21), we obtain the expected boundary condition

$$\frac{\partial^2 W_\alpha^0}{\partial y_1^2}(\hat{h}, \mathbf{x}') = 0. \quad (\text{B.37})$$

266 Appendix B.3. Effective transmission conditions between the substrate and the array

In the vicinity of the interface between the substrate and the array, we consider the same expansions as in (B.30), and at the dominant order, we still have $\text{div}_{\mathbf{z}} \boldsymbol{\tau}^0 = \text{div}_{\mathbf{z}} \boldsymbol{\tau}^1 = \mathbf{0}$. The calculations are identical to that conducted in §3.3 when integrating over $Z = \{z_1 \in (0, +\infty), \mathbf{z}' \in Y\} \cup \{z_1 \in (-\infty, 0), \mathbf{z}' \in (-\hat{\ell}/2, \hat{\ell}/2)^2\}$, and we find

$$\sigma_{1i}^0(0^-, \mathbf{x}') = 0, \quad i = 1, 2, 3, \quad (\text{B.38})$$

which are consistent with (B.9) and (B.11). Next, using $\overline{\pi_{1i}^1}$ in (B.12), we find

$$\sigma_{11}^1(0^-, \mathbf{x}') = \rho_p \omega^2 \varphi \hat{h} W_1^0(\mathbf{x}'), \quad \sigma_{1\alpha}^1(0^-, \mathbf{x}') = -E_p \frac{\pi \hat{r}^4}{4S} \frac{\partial^3 W_\alpha^0}{\partial y_1^3}(0, \mathbf{x}'). \quad (\text{B.39})$$

We have yet to establish the continuity of the displacement. From the counterpart of (c') in (42) (with $\mathbf{z}' \rightarrow \mathbf{z}$), it is easily seen that we have at the dominant orders

$$\boldsymbol{\varepsilon}^z(\mathbf{v}^0) = \boldsymbol{\varepsilon}^z(\mathbf{v}^1) = \mathbf{0}. \quad (\text{B.40})$$

Therefore \mathbf{v}^0 and \mathbf{v}^1 are piecewise rigid body motions, namely $\mathbf{v}^0 = \boldsymbol{\Omega}^0(\mathbf{x}') \times \mathbf{z} + \mathbf{V}^0(\mathbf{x}')$, the same for \mathbf{v}^1 . Invoking the periodicity of \mathbf{v}^i , $i = 1, 2$ with respect to z_2 and z_3 for $z_1 < 0$ and the continuity of \mathbf{v}^i at $z_1 = 0$, these rigid body motions reduce to a single translation over Z . Eventually, using the matching conditions on the displacements, we then obtain

$$u_1^0(0^-, \mathbf{x}') = W_1^0(\mathbf{x}'), \quad u_\alpha^0(0^-, \mathbf{x}') = W_\alpha^0(0^+, \mathbf{x}'), \quad \frac{\partial W_\alpha^0}{\partial z_1}(0^+, \mathbf{x}') = 0. \quad (\text{B.41})$$

267 Appendix B.4. The final problem

268 The effective problem (B.1) is obtained for $(\mathbf{u} = \mathbf{u}^0, \boldsymbol{\sigma} = \boldsymbol{\sigma}^0 + \eta \boldsymbol{\sigma}^1)$ in the substrate for $x_1 < 0$,
 269 $(\mathbf{u} = \mathbf{W}^0, \boldsymbol{\sigma} = \boldsymbol{\pi}^0 + \eta \boldsymbol{\pi}^1)$ in the region of the array for $x_1 > 0$. Remembering that $y_1 = x_1/\eta$ and
 270 $\hat{h} = h/\eta$, $\hat{r} = r_p/\eta^2$, it is easy to see that (i) the Euler-Bernoulli equation in (B.1) is obtained from
 271 (B.13), (ii) the effective boundary conditions announced in (B.3) from (B.32), (B.37)-(B.39) and
 272 (B.41).

273 **References**

- 274 [1] H. Lamb, I. on the propagation of tremors over the surface of an elastic solid, *Philosophical Transactions of the*
275 *Royal Society of London. Series A, Containing papers of a mathematical or physical character* 203 (359-371)
276 (1904) 1–42.
- 277 [2] C. Pekeris, The seismic surface pulse, *Proceedings of the national academy of sciences of the United States of*
278 *America* 41 (7) (1955) 469.
- 279 [3] P. C. Jennings, J. Bielak, Dynamics of building-soil interaction, *Bulletin of the seismological society of America*
280 63 (1) (1973) 9–48.
- 281 [4] E. Kausel, R. V. Whitman, J. P. Morray, F. Elsabee, The spring method for embedded foundations, *Nuclear Engi-*
282 *neering and design* 48 (2-3) (1978) 377–392.
- 283 [5] G. Gazetas, Formulas and charts for impedances of surface and embedded foundations, *Journal of geotechnical*
284 *engineering* 117 (9) (1991) 1363–1381.
- 285 [6] E. Kausel, Early history of soil–structure interaction, *Soil Dynamics and Earthquake Engineering* 30 (9) (2010)
286 822–832.
- 287 [7] J. E. Luco, L. Contesse, Dynamic structure-soil-structure interaction, *Bulletin of the Seismological Society of*
288 *America* 63 (4) (1973) 1289–1303.
- 289 [8] H. Wong, M. Trifunac, Two-dimensional, antiplane, building-soil-building interaction for two or more buildings
290 and for incident planet sh waves, *Bulletin of the Seismological Society of America* 65 (6) (1975) 1863–1885.
- 291 [9] A. Wirgin, P.-Y. Bard, Effects of buildings on the duration and amplitude of ground motion in mexico city, *Bulletin*
292 *of the Seismological Society of America* 86 (3) (1996) 914–920.
- 293 [10] P. Guéguen, P. Bard, J. Semblat, Engineering seismology: seismic hazard and risk analysis: seismic hazard analysis
294 from soil-structure interaction to site-city interaction, in: *Proc. 12th World Conference on Earthquake Engineering,*
295 2000.
- 296 [11] D. Clouteau, D. Aubry, Modifications of the ground motion in dense urban areas, *Journal of Computational Acous-*
297 *tics* 9 (04) (2001) 1659–1675.
- 298 [12] C. Tsogka, A. Wirgin, Simulation of seismic response in an idealized city, *Soil Dynamics and Earthquake Engi-*
299 *neering* 23 (5) (2003) 391–402.
- 300 [13] P. Gueguen, P.-Y. Bard, Soil-structure and soil-structure-soil interaction: experimental evidence at the volvi test
301 site, *Journal of Earthquake Engineering* 9 (05) (2005) 657–693.
- 302 [14] M. Kham, J.-F. Semblat, P.-Y. Bard, P. Dangla, Seismic site–city interaction: main governing phenomena through
303 simplified numerical models, *Bulletin of the Seismological Society of America* 96 (5) (2006) 1934–1951.
- 304 [15] J.-P. Groby, A. Wirgin, Seismic motion in urban sites consisting of blocks in welded contact with a soft layer
305 overlying a hard half-space, *Geophysical Journal International* 172 (2) (2008) 725–758.
- 306 [16] K. Uenishi, The town effect: dynamic interaction between a group of structures and waves in the ground, *Rock*
307 *mechanics and rock engineering* 43 (6) (2010) 811–819.
- 308 [17] M. Todorovska, M. Trifunac, The system damping, the system frequency and the system response peak amplitudes
309 during in-plane building–soil interaction, *Earthquake engineering & structural dynamics* 21 (2) (1992) 127–144.
- 310 [18] P. Gueguen, P.-Y. Bard, F. J. Chavez-Garcia, Site-city seismic interaction in mexico city–like environments: an
311 analytical study, *Bulletin of the Seismological Society of America* 92 (2) (2002) 794–811.
- 312 [19] C. Boutin, P. Roussillon, Assessment of the urbanization effect on seismic response, *Bulletin of the Seismological*
313 *Society of America* 94 (1) (2004) 251–268.
- 314 [20] M. Ghergu, I. R. Ionescu, Structure–soil–structure coupling in seismic excitation and city effect??. *International*
315 *Journal of Engineering Science* 47 (3) (2009) 342–354.
- 316 [21] C. Boutin, P. Roussillon, Wave propagation in presence of oscillators on the free surface, *International journal of*
317 *engineering science* 44 (3-4) (2006) 180–204.
- 318 [22] L. Schwan, C. Boutin, Unconventional wave reflection due to resonant surface, *Wave Motion* 50 (4) (2013) 852–
319 868.
- 320 [23] C. Boutin, L. Schwan, M. S. Dietz, Elastodynamic metasurface: Depolarization of mechanical waves and time
321 effects, *Journal of Applied Physics* 117 (6) (2015) 064902.
- 322 [24] L. Schwan, C. Boutin, L. Padrón, M. Dietz, P.-Y. Bard, C. Taylor, Site-city interaction: theoretical, numerical and
323 experimental crossed-analysis, *Geophysical Journal International* 205 (2) (2016) 1006–1031.
- 324 [25] E. Garova, A. Maradudin, A. Mayer, Interaction of rayleigh waves with randomly distributed oscillators on the
325 surface, *Physical Review B* 59 (20) (1999) 13291.
- 326 [26] H. Wegert, E. A. Mayer, L. M. Reindl, W. Ruile, A. P. Mayer, Interaction of saws with resonating structures on the
327 surface, in: *2010 IEEE International Ultrasonics Symposium, IEEE, 2010, pp. 185–188.*
- 328 [27] A. Maznev, V. Gusev, Waveguiding by a locally resonant metasurface, *physical Review B* 92 (11) (2015) 115422.
- 329 [28] A. Maznev, Bifurcation of avoided crossing at an exceptional point in the dispersion of sound and light in locally
330 resonant media, *Journal of Applied Physics* 123 (9) (2018) 091715.

- 331 [29] S. Kuznetsov, Seismic waves and seismic barriers, *Acoustical Physics* 57 (3) (2011) 420–426.
- 332 [30] S.-H. Kim, M. P. Das, Seismic waveguide of metamaterials, *Modern Physics Letters B* 26 (17) (2012) 1250105.
- 333 [31] S.-H. Kim, M. P. Das, Artificial seismic shadow zone by acoustic metamaterials, *Modern Physics Letters B* 27 (20)
- 334 (2013) 1350140.
- 335 [32] S. Brûlé, E. Javelaud, S. Enoch, S. Guenneau, Experiments on seismic metamaterials: molding surface waves,
- 336 *Physical review letters* 112 (13) (2014) 133901.
- 337 [33] S. Krödel, N. Thomé, C. Daraio, Wide band-gap seismic metastructures, *Extreme Mechanics Letters* 4 (2015)
- 338 111–117.
- 339 [34] A. Colombi, P. Roux, S. Guenneau, P. Gueguen, R. V. Craster, Forests as a natural seismic metamaterial: Rayleigh
- 340 wave bandgaps induced by local resonances, *Scientific reports* 6 (2016) 19238.
- 341 [35] D. Colquitt, A. Colombi, R. Craster, P. Roux, S. Guenneau, Seismic metasurfaces: Sub-wavelength resonators and
- 342 rayleigh wave interaction, *Journal of the Mechanics and Physics of Solids* 99 (2017) 379–393.
- 343 [36] A. Maurel, J.-J. Marigo, K. Pham, S. Guenneau, Conversion of love waves in a forest of trees, *Physical Review B*
- 344 98 (13) (2018) 134311.
- 345 [37] A. Palermo, A. Marzani, Control of love waves by resonant metasurfaces, *Scientific reports* 8 (1) (2018) 7234.
- 346 [38] A. Palermo, F. Zeighami, A. Marzani, Seismic metasurfaces for love waves control, in: *EGU General Assembly*
- 347 *Conference Abstracts*, Vol. 20, 2018, p. 18607.
- 348 [39] L. Kelders, J. F. Allard, W. Lauriks, Ultrasonic surface waves above rectangular-groove gratings, *The Journal of*
- 349 *the Acoustical Society of America* 103 (5) (1998) 2730–2733.
- 350 [40] J. Zhu, Y. Chen, X. Zhu, F. J. Garcia-Vidal, X. Yin, W. Zhang, X. Zhang, Acoustic rainbow trapping, *Scientific*
- 351 *reports* 3 (2013) 1728.
- 352 [41] J. Pendry, L. Martin-Moreno, F. Garcia-Vidal, Mimicking surface plasmons with structured surfaces, *science*
- 353 305 (5685) (2004) 847–848.
- 354 [42] F. Garcia-Vidal, L. Martin-Moreno, J. Pendry, Surfaces with holes in them: new plasmonic metamaterials, *Journal*
- 355 *of optics A: Pure and applied optics* 7 (2) (2005) S97.
- 356 [43] P. G. Ciarlet, P. Destuynder, A justification of the two-dimensional linear plate model, *J Mec* 18 (2) (1979) 315–344.
- 357 [44] D. Caillerie, Plaques élastiques minces à structure périodique de période et d'épaisseurs comparables *Sc. Paris Sér.*
- 358 *II* 294 (1982) 159–162.
- 359 [45] L. Trabucho, J. Viano, Derivation of generalized models for linear elastic beams by asymptotic expansion methods,
- 360 *Applications of Multiple Scaling in Mechanics* (1987) 302–315.
- 361 [46] G. Geymonat, F. Krasucki, J.-J. Marigo, Sur la commutativité des passages à la limite en théorie asymptotique des
- 362 poutres composites, *Comptes rendus de l'Académie des sciences. Série 2, Mécanique, Physique, Chimie, Sciences*
- 363 *de l'univers, Sciences de la Terre* 305 (4) (1987) 225–228.
- 364 [47] B. Miara, L. Trabucho, Approximation spectrale pour une poutre en élasticité linéarisée, *Comptes rendus de*
- 365 *l'Académie des sciences. Série 1, Mathématique* 311 (10) (1990) 659–662.
- 366 [48] G. Corre, A. Lebéé, K. Sab, M. K. Ferradi, X. Céspedes, Higher-order beam model with eigenstrains: theory and
- 367 illustrations, *ZAMM-Journal of Applied Mathematics and Mechanics/Zeitschrift für Angewandte Mathematik und*
- 368 *Mechanik* 98 (7) (2018) 1040–1065.
- 369 [49] R. Abdelmoula, J.-J. Marigo, The effective behavior of a fiber bridged crack, *Journal of the Mechanics and Physics*
- 370 *of Solids* 48 (11) (2000) 2419–2444.
- 371 [50] M. David, J.-J. Marigo, C. Pideri, Homogenized interface model describing inhomogeneities located on a surface,
- 372 *Journal of Elasticity* 109 (2) (2012) 153–187.
- 373 [51] J.-J. Marigo, A. Maurel, Homogenization models for thin rigid structured surfaces and films, *The Journal of the*
- 374 *Acoustical Society of America* 140 (1) (2016) 260–273.
- 375 [52] A. Maurel, K. Pham, J.-J. Marigo, Scattering of gravity waves by a periodically structured ridge of finite extent,
- 376 *Journal of Fluid Mechanics* 871 (2019) 350–376.
- 377 [53] A. Maurel, J.-J. Marigo, J.-F. Mercier, K. Pham, Modelling resonant arrays of the helmholtz type in the time
- 378 domain, *Proceedings of the Royal Society A: Mathematical, Physical and Engineering Sciences* 474 (2210) (2018)
- 379 20170894.
- 380 [54] A. Maurel, K. Pham, Multimodal method for the scattering by an array of plates connected to an elastic half-space,
- 381 *The Journal of the Acoustical Society of America*, to appear.
- 382 [55] J. Achenbach, *Wave propagation in elastic solids*, Vol. 16, Elsevier, 2012.