



HAL
open science

A Cable-Driven Parallel Robot with an Embedded Tilt-Roll Wrist

Saman Lessanibahri, Philippe Cardou, Stéphane Caro

► **To cite this version:**

Saman Lessanibahri, Philippe Cardou, Stéphane Caro. A Cable-Driven Parallel Robot with an Embedded Tilt-Roll Wrist. *Journal of Mechanisms and Robotics*, In press, 10.1115/1.4045937. hal-02425813v1

HAL Id: hal-02425813

<https://hal.science/hal-02425813v1>

Submitted on 31 Dec 2019 (v1), last revised 6 Feb 2020 (v2)

HAL is a multi-disciplinary open access archive for the deposit and dissemination of scientific research documents, whether they are published or not. The documents may come from teaching and research institutions in France or abroad, or from public or private research centers.

L'archive ouverte pluridisciplinaire **HAL**, est destinée au dépôt et à la diffusion de documents scientifiques de niveau recherche, publiés ou non, émanant des établissements d'enseignement et de recherche français ou étrangers, des laboratoires publics ou privés.

A Cable-Driven Parallel Robot with an Embedded Tilt-Roll Wrist

Saman Lessanibahri

PhD student

École Centrale de Nantes,
Laboratoire des Sciences du
Numérique de Nantes, UMR 6004,
1 Rue de la Noë, 44321,
Nantes, France

Email: Saman.Lessanibahri@ls2n.fr

Philippe Cardou

Professor, ASME Member

Laboratoire de robotique
Département de génie mécanique
Laboratoire des Sciences du
Numérique de Nantes, UMR 6004
Université Laval
Québec, QC, Canada
Email: pcardou@gmc.ulaval.ca

Stéphane Caro*

Research Director, ASME Member

Centre National de la Recherche Scientifique

Laboratoire des Sciences du
Numérique de Nantes, UMR 6004
1 Rue de la Noë, 44321
Nantes, France

Email: Stephane.Caro@ls2n.fr

ABSTRACT

This paper addresses the optimum design, configuration and workspace analysis of a Cable-Driven Parallel Robot (CDPR) with an embedded tilt-roll wrist. The manipulator consists in a tilt-roll wrist mounted on the moving platform of a suspended CDPR. The embedded wrist provides large amplitudes of tilt and roll rotations and a large translational workspace obtained by the CDPR. This manipulator is suitable for tasks requiring large rotation and translation workspaces like tomography scanning, camera-orienting devices and visual surveillance. The moving-platform is an eight-degree-of-freedom articulated mechanism with large translational and rotational workspaces and it is suspended from a fixed frame by six cables. The manipulator employs two bi-actuated cables, i.e., cable loops to transmit the power from motors fixed on the ground to the tilt-roll wrist. Therefore, the manipulator achieves better dynamic performances due to a lower inertia of its moving-platform.

*Corresponding author

1 Introduction

Cable-Driven Parallel Robots (CDPRs) consist of a base frame and a moving-platform connected to each other through cables. These cables are actuated by winches connected to motors that can vary cable tensions and lengths. When compared to classical parallel robots, CDPRs have advantages in terms of large translation workspace [1,2], heavy payload capacity [3], reconfigurability [4] and of performing high-speed tasks [5].

Despite their large translation workspaces, CDPRs are generally unable to provide large amplitudes of rotation of their moving-platform due to collisions between their moving parts. In general, the workspace of parallel robots can be increased by combining them with other parallel or serial mechanisms and constructing hybrid mechanisms. To the best of the authors' knowledge, there is but a limited number of papers addressing the question of extending the rotation workspaces of CDPRs. In [6], a parallel spherical wrist was introduced into the design of a CDPR to obtain large rotation and translation workspaces. The authors showed that the workspace of CDPRs can be enlarged by combining the advantages of the parallel spherical wrist in terms of rotation amplitudes with those of CDPRs in terms of large translation workspace.

Cable-loops or bi-actuated cable circuits are employed for different reasons in the design of several CDPRs, such as increasing the size of their wrench-feasible workspace [7,8,9]. Another purpose of cable-loops is the actuation of embedded end-effectors on the moving-platforms (hybrid mechanisms) through cable-loops and drums, to avoid the need of mounting motors on the moving-platform. In [10,11], two concepts of hybrid CDPRs were detailed. In [10], a hoist was combined with an under-constrained CDPR, where the large rotation amplitudes of the hoist were used to control the height of a payload while minimizing interferences with obstacles close to the ground. In the latter paper, the concept of a CDPR, with large translational workspace and large tilt and roll rotations of its end-effector was introduced. The main contributions of this paper with regard to [11] lie in: *(i)* a simplified kineto-static modeling of the mechanism at hand; *(ii)* the design optimization of a CDPR with an embedded Tilt-Roll wrist; *(iii)* the prototyping and experimentation. Hybrid mechanisms generally undergo reduced kinematic and dynamic performance due to their design complexity and high inertia of the moving-platform. However, by employing cable-loops into the design of hybrid CDPRs, these adverse effects are minimum.

Each cable-loop has two distinct purposes in the CDPR with an embedded tilt-roll wrist: positioning of the moving-platform and rotating an input bevel gear of the tilt-roll wrist. The cable-loops transmit power directly from motors attached on the ground to the articulated moving-platform. This contributes to lowering the inertia properties of the moving-platform and improving the dynamic performance of the manipulator.

Figure 1 shows the overall schematic of the manipulator and Fig. 2 represents the schematic of the moving-platform with the embedded tilt-roll wrist. Figure 3 illustrates the section-view of the moving-platform with its main components as

$\mathcal{P}_i, i = 1, \dots, 5$. The proposed manipulator consists of the base frame, namely, \mathcal{P}_0 , an under-constrained moving-platform, \mathcal{P}_1 , which is suspended by eight cables. Two bi-actuated cables and four uni-actuated cables are illustrated in Fig. 1. Each cable loop forms a circuit by connecting two actuators while passing through two anchor points on the moving-platform and coiling about a gear on the tilt-roll wrist. Two motions can be induced by the cable-loop depending on the relative rotation of its two actuators. The first one is the displacement of the moving-platform for identical inputs to the two motors. The second motion is the rotation of the gears \mathcal{P}_3 and \mathcal{P}_4 about their respective axes (z_3 and z_4) as shown in Fig. 2, when the two actuators rotate in opposite directions.

An approach to the optimum design and configuration of the CDPR with an embedded tilt-roll wrist is divided into the following sections. Section 2 presents the kinetostatic model of the manipulator. Section 3 deals with the static workspace analysis of the manipulator at hand. The optimum design and cable configuration of the moving-platform are discussed in Sec. 4. Section 5 is about the prototyping, experimental validation and discussion about the obtained results on positioning accuracy. Finally, conclusions are drawn in Sec 6.

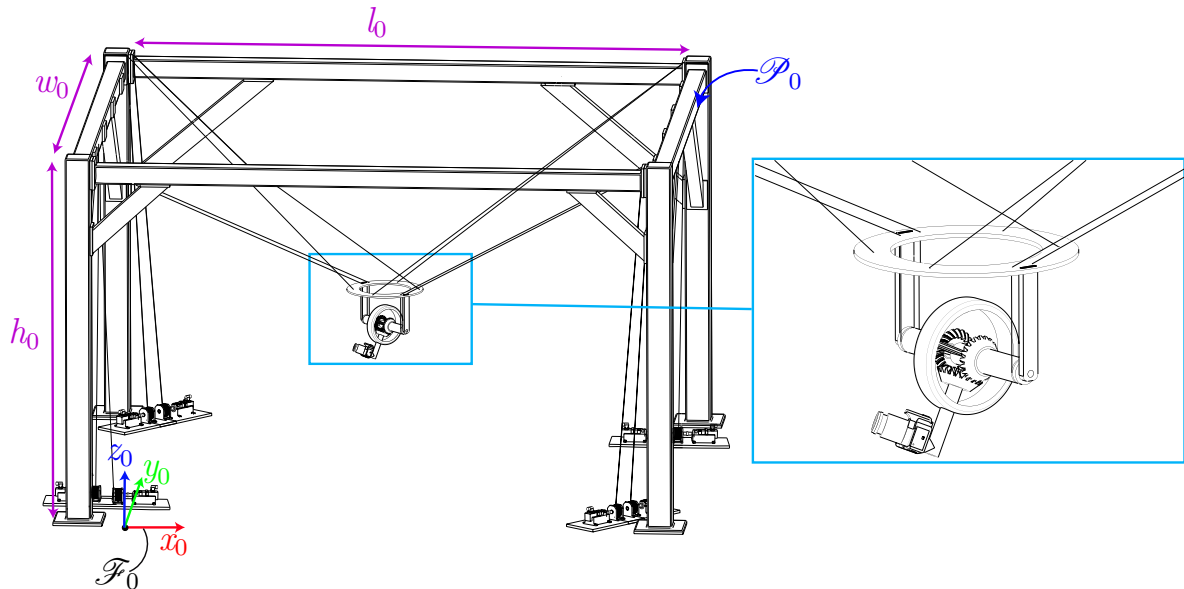


Fig. 1: Schematic of the manipulator

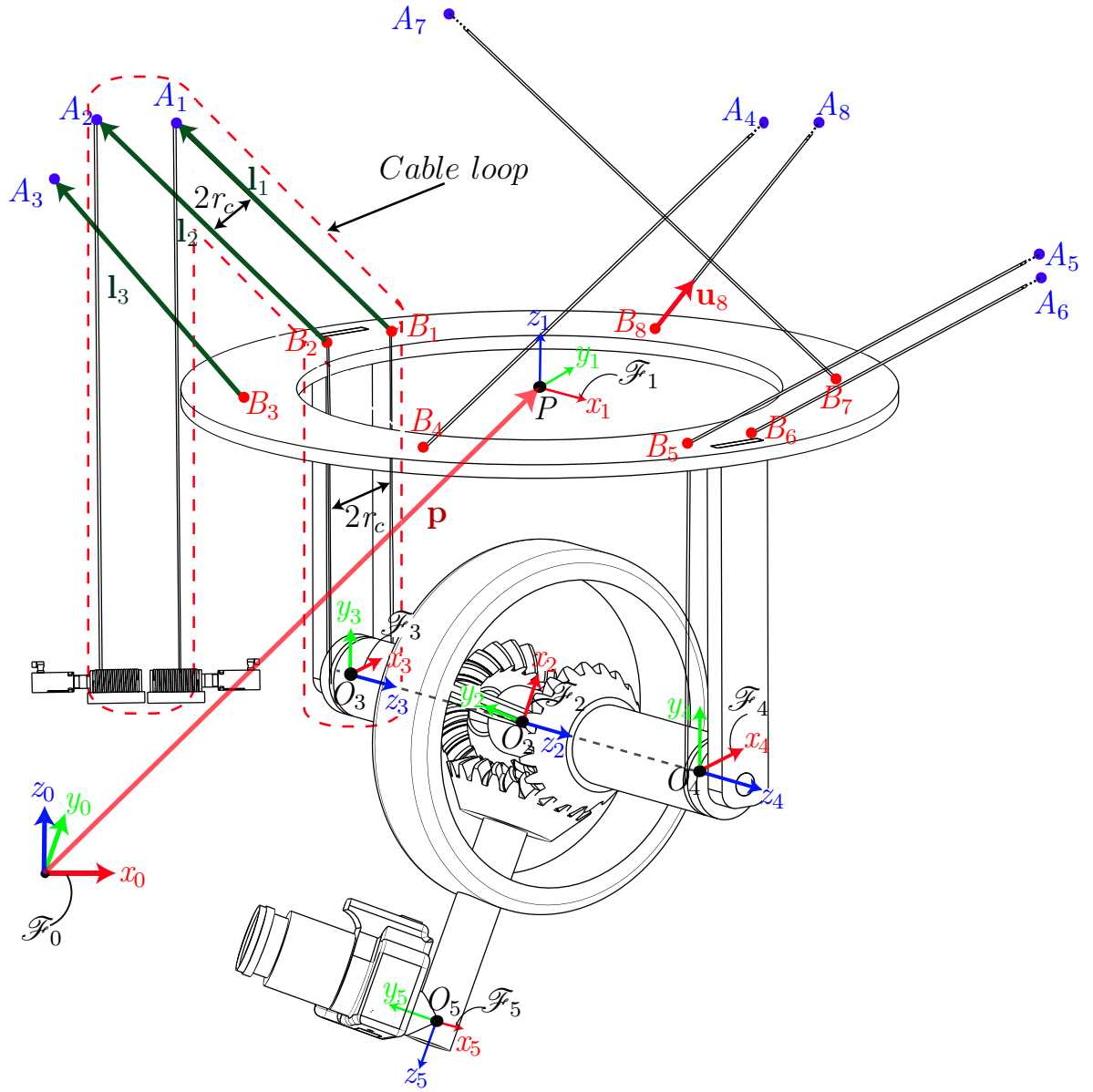


Fig. 2: Schematic of the moving-platform with an embedded tilt-roll wrist

2 Kinetostatic Model of the Manipulator

In this section, we present the kinetostatic model of the overall manipulator. In order to define the manipulator wrench matrix, we first introduce the loop-closure equations of the CDPR, which are given by:

$${}^0\mathbf{l}_i = {}^0\mathbf{a}_i - {}^0\mathbf{p} - {}^0\mathbf{R}_1^1 \mathbf{b}_i, \quad i = 1, 2, \dots, 8 \quad (1)$$

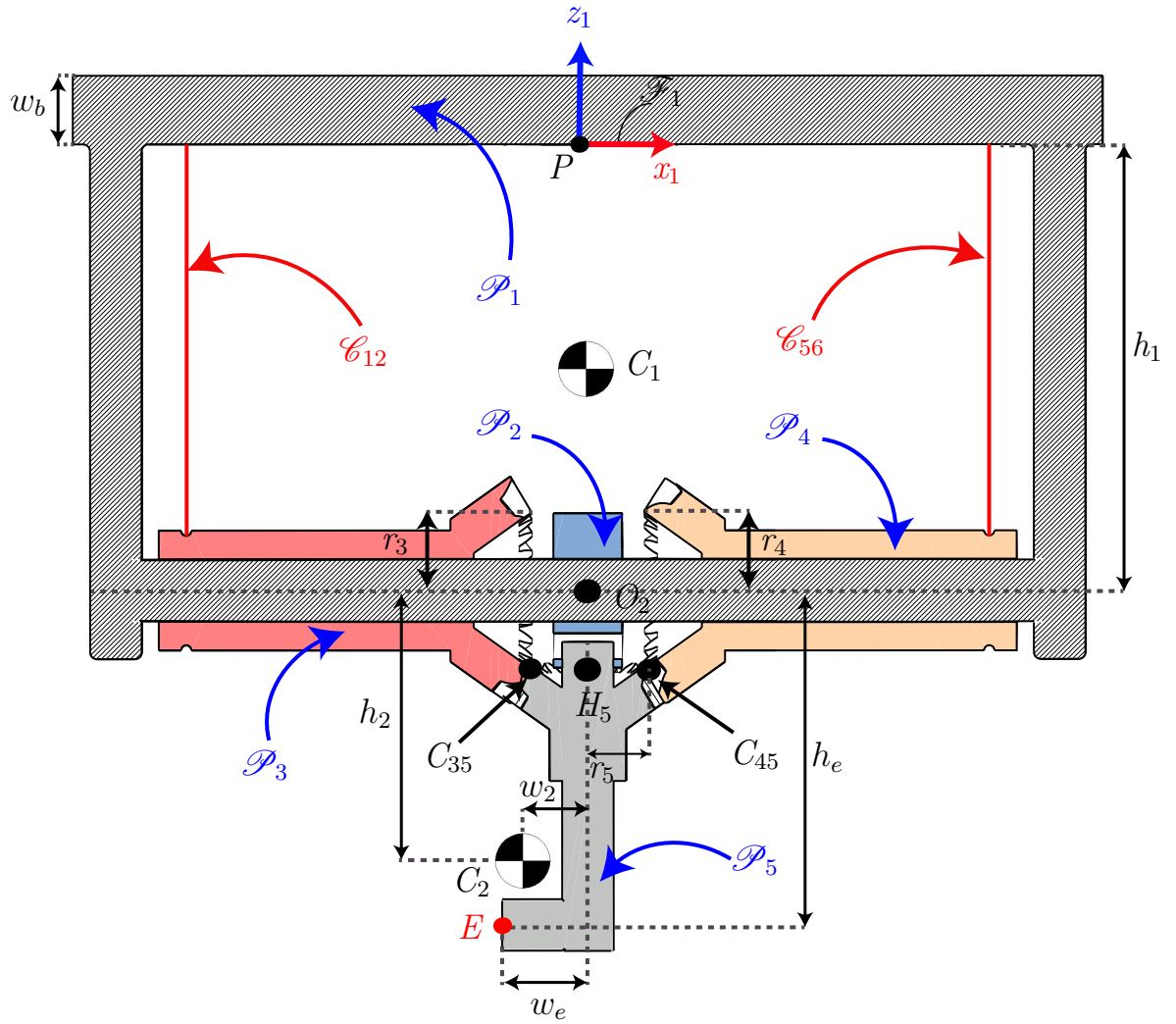


Fig. 3: Section-view of the moving-platform and the tilt-roll wrist

where ${}^0\mathbf{l}_i$ is the i th cable vector, i.e., the vector pointing from point B_i to point A_i . Points A_i and B_i stand for the i th cable exit point and anchor point, respectively. The former point is the location of the i th pulley fixed to the ceiling and the latter is the connection point between the cable and the moving-platform. ${}^0\mathbf{a}_i$, ${}^1\mathbf{b}_i$ and ${}^0\mathbf{p}$ are the Cartesian coordinate vectors of points A_i , B_i and P , respectively. ${}^0\mathbf{R}_1$ is the rotation matrix from frame \mathcal{F}_0 to frame \mathcal{F}_1 . \mathbf{t}_i , $i = 1, 2, \dots, 8$, stands for the i th cable tension vector. $\mathbf{t}_i = t_i {}^0\mathbf{u}_i$ and its magnitude is expressed as $t_i = \|\mathbf{t}_i\|_2$, $i = 1, \dots, 8$. ${}^0\mathbf{u}_i$ denotes the i th cable unit vector namely,

$${}^0\mathbf{u}_i = \frac{{}^0\mathbf{l}_i}{l_i}, \quad i = 1, 2, \dots, 8. \quad (2)$$

l_i being the i th cable length.

The equilibrium of the external forces applied on the moving-platform is formulated as follows:

$$\sum_{i=1}^8 t_i {}^0\mathbf{u}_i + m\mathbf{g} = 0, \quad (3)$$

where $m\mathbf{g}$ is the weight of the moving-platform. m denotes total mass of the moving-platform and the spherical wrist. The equilibrium of moments applied onto the moving-platform about point P expressed in frame \mathcal{F}_0 takes the form:

$$\sum_{i=1}^8 t_i ({}^0\mathbf{R}_1 {}^1\mathbf{b}_i \times {}^0\mathbf{u}_i) + m({}^0\mathbf{c} - {}^0\mathbf{p}) \times {}^0\mathbf{g} = 0, \quad (4)$$

with \mathbf{c} being the Cartesian coordinates vector of the Center of Mass (CoM) of the moving-platform:

$$\mathbf{c} = \frac{m_1\mathbf{c}_1 + m_2\mathbf{c}_2}{m_1 + m_2} \quad (5)$$

\mathbf{c}_1 is the Cartesian coordinates vector of the CoM of components \mathcal{P}_1 to \mathcal{P}_4 with mass of m_1 defined as:

$$m_1 = m_b + 2m_c + m_s + m_{\mathcal{P}_2} + m_{\mathcal{P}_3} + m_{\mathcal{P}_4} \quad (6)$$

m_b , m_c and m_s being the masses of the moving-platform components i.e., its base, columns and shaft, respectively. \mathbf{c}_2 is the Cartesian coordinates vector of the CoM of the terminal link \mathcal{P}_5 , its mass being equal to m_2 . Therefore, the total mass of the moving-platform is expressed as follows:

$$m = m_1 + m_2 \quad (7)$$

The input tilt-roll wrist torques τ_3 and τ_4 are functions of the cable tension difference in cable-loops \mathcal{C}_{12} and \mathcal{C}_{56} , respectively:

$$\tau_3 = r_c (t_1 - t_2) \quad (8)$$

$$\tau_4 = r_c (t_6 - t_5) \quad (9)$$

r_c being the radius of the groove made in \mathcal{P}_3 and \mathcal{P}_4 to house the two cable-loops. From Eqs. (3) to (9), the static equilibrium model of the manipulator is expressed in a matrix form as:

$$\mathbf{W}\mathbf{t} + \mathbf{w}_g = \mathbf{0}_8 \quad (10)$$

where $\mathbf{0}_8$ is the eight-dimensional zero vector and the wrench matrix \mathbf{W} takes the following form:

$$\mathbf{W} = \begin{bmatrix} {}^0\mathbf{u}_1 & {}^0\mathbf{u}_2 & {}^0\mathbf{u}_3 & {}^0\mathbf{u}_4 & {}^0\mathbf{u}_5 & {}^0\mathbf{u}_6 & {}^0\mathbf{u}_7 & {}^0\mathbf{u}_8 \\ {}^0\mathbf{d}_1 & {}^0\mathbf{d}_2 & {}^0\mathbf{d}_3 & {}^0\mathbf{d}_4 & {}^0\mathbf{d}_5 & {}^0\mathbf{d}_6 & {}^0\mathbf{d}_7 & {}^0\mathbf{d}_8 \\ r_c & -r_c & 0 & 0 & -r_c & r_c & 0 & 0 \\ \mu r_c & -\mu r_c & 0 & 0 & \mu r_c & -\mu r_c & 0 & 0 \end{bmatrix} \quad (11)$$

$\mu = \frac{r_5}{r_3} = \frac{r_5}{r_4}$ is the gear train ratio and the pitch radius of the i th gear is denoted as r_i and $i = 3, 4, 5$. Besides,

$${}^0\mathbf{d}_i = {}^0\mathbf{R}_1^{-1} \mathbf{b}_i \times {}^0\mathbf{u}_i, \quad i = 1, \dots, 8. \quad (12)$$

The last two rows of \mathbf{W} correspond to the static model of the tilt-roll wrist as presented in ref. [11]. \mathbf{t} is the vector of tensions

in the eight cables.

$$\mathbf{t} = [t_1 \ t_2 \ t_3 \ t_4 \ t_5 \ t_6 \ t_7 \ t_8]^T \quad (13)$$

\mathbf{w}_g is the eight-dimensional gravity wrench vector applied on the moving-platform and the tilt-roll wrist, namely,

$$\mathbf{w}_g = [m^0 \mathbf{g}^T \quad m({}^0\mathbf{R}_1 {}^1\mathbf{c} \times {}^0\mathbf{g})^T \quad \mathbf{m}_{\alpha,\beta}^T]^T \quad (14)$$

where, ${}^0\mathbf{g} = [0, 0, -g]^T$ with $g = 9.81 \text{ m/s}^2$. The Cartesian coordinates vector of C_1 expressed in \mathcal{F}_1 is denoted as

$${}^1\mathbf{c}_1 = [0, 0, c_{1z}]^T \quad (15)$$

with,

$$c_{1z} = \frac{-h_1(m_c + m_s + m_{\varphi_2} + m_{\varphi_3} + m_{\varphi_4})}{m_1} \quad (16)$$

and variable Cartesian coordinates vector of CoM, namely, C_2 is a function of α and β as follows:

$${}^1\mathbf{c}_2 = \begin{bmatrix} -w_2 \sin \beta \\ -h_2 \cos \alpha - w_2 \sin \alpha \cos \beta \\ -h_2 \sin \alpha + w_2 \cos \alpha \cos \beta - h_1 \end{bmatrix} \quad (17)$$

The tilt angle of the end-effector is denoted as $\alpha = \angle(y_1, x_2)$ and its roll angle is defined as $\beta = \angle(z_2, x_5)$. $\mathbf{m}_{\alpha,\beta}$ is the array

of the moments applied by gravity onto the tilt-roll wrist about axes z_2 and z_5 , respectively:

$$\mathbf{m}_{\alpha,\beta} = [m_\alpha, m_\beta]^T \quad (18)$$

with $m_\alpha = m_{g_z}$ and $m_\beta = -m_{g_x}$.

The moment due to the mass of \mathcal{P}_5 exerted on the tilt-roll wrist expressed in \mathcal{F}_2 is denoted as:

$${}^2\mathbf{m}_g = m_2 ({}^2\mathbf{c}_2 \times {}^2\mathbf{R}_0 {}^0\mathbf{g}) = m_2 g \begin{bmatrix} -w_2 \sin \beta \cos \alpha \\ w_2 \sin \beta \sin \alpha \\ h_2 \cos \alpha + w_2 \cos \beta \sin \alpha \end{bmatrix} \quad (19)$$

3 Workspace Analysis

In this section, we introduce the static workspace of the CDPR with an embedded tilt-roll wrist. In general, the static workspace of the eight-DoF CDPR with an embedded tilt-roll wrist consists of the set of positions and orientations of the moving-platform and the orientations of the end-effector, namely, ${}^0\mathbf{p}$ and ${}^0\mathbf{R}_1$ and $\mathbf{q}_{tr} = [\alpha, \beta]^T$, which satisfies the static equilibrium of the manipulator. The set \mathcal{T} represents the cable tension space and takes the shape of a box in an eight-dimensional space:

$$\mathcal{T} = \{\mathbf{t} \in \mathbb{R}^8 : \mathbf{t}_{min} \leq \mathbf{t} \leq \mathbf{t}_{max}\}. \quad (20)$$

where, \mathbf{t}_{min} and \mathbf{t}_{max} are the cable tension limit vectors. The Static Workspace \mathcal{S} is the set of the moving-platform poses and tilt-roll wrist configurations satisfying the static equilibrium of the manipulator under the action of gravity.

$$\mathcal{S} = \{({}^0\mathbf{p}, {}^0\mathbf{R}_1, \mathbf{q}_{tr}) \in \mathbb{R}^3 \times SO(3) \times \mathbb{R}^2 : \exists \mathbf{t} \in \mathcal{T}, \mathbf{W}\mathbf{t} + \mathbf{w}_g = \mathbf{0}_8\} \quad (21)$$

where $SO(3)$ is the group of proper-orthogonal 3×3 matrices. As the visualization of such an eight-dimensional workspace is impossible with common human perception in 3D, we define the static workspace of the manipulator for two different cases. From Eq. (21), we derive two subsets \mathcal{S}_1 and \mathcal{S}_2 based on the constrained orientations of the moving-platform and the tilt-roll wrist. The former subset, namely, \mathcal{S}_1 is a set for a given orientation of the moving-platform and the wrist, i.e., the translational SW of the manipulator with constant orientation of ${}^0\mathbf{R}_1$ and \mathbf{q}_{TR} .

$$\mathcal{S}_1 = \{ {}^0\mathbf{p} \in \mathbb{R}^3 \mid {}^0\mathbf{R}_1 = \mathbf{I}_3, \alpha = \beta = \pi/2 : \exists \mathbf{t} \in \mathcal{T}, \mathbf{W}\mathbf{t} + \mathbf{w}_g = \mathbf{0}_8 \} \quad (22)$$

The minimum moment due to weight of \mathcal{P}_5 exerted on the tilt-roll wrist corresponds to $\alpha = \beta = \pi/2$. Therefore, for largest possible workspace of \mathcal{S}_1 we consider those angles for tilt and roll of the wrist. \mathcal{S}_2 is defined as the static workspace of the manipulator for a constant orientation of the moving-platform while the tilt and roll angles are free to rotate.

$$\mathcal{S}_2 = \{ {}^0\mathbf{p} \in \mathbb{R}^3 \mid {}^0\mathbf{R}_1 = \mathbf{I}_3 : -\pi \leq \alpha \ \& \ \beta \leq \pi : \exists \mathbf{t} \in \mathcal{T}, \mathbf{W}\mathbf{t} + \mathbf{w}_g = \mathbf{0}_8 \} \quad (23)$$

In order to trace the static workspace, the index, namely, the capacity margin index is employed to determine the static equilibrium of the moving-platform at a given pose. In [12, 13, 14, 15] the capacity margin index was introduced and implemented for tracing wrench feasible workspace and static equilibrium of the CDPRs. In the latter papers, the algorithm of calculation of capacity margin is detailed. The foregoing method has been used in this paper to define and trace the workspaces of CDPRs with an embedded Tilt-Roll wrist, namely, a hybrid manipulator.

Hereafter, the capacity margin index can be checked to indicate whether a pose of the moving-platform belongs to the static workspace or not. By discretizing of the Cartesian space and interpolating between the index values, we are able to

trace the static workspace. The discretization of Cartesian space is detailed in the following.

$$x_i = x_0 + i\delta \quad (i = 0, \dots, n_x) \quad (24)$$

$$y_j = y_0 + j\delta \quad (j = 0, \dots, n_y) \quad (25)$$

$$z_k = z_0 + k\delta \quad (k = 0, \dots, n_z) \quad (26)$$

with δ being the resolution of the discretization and $\mathbf{o}_0 = [x_0, y_0, z_0]^T$ denoting the origin of frame \mathcal{F}_0 . The number of discretized points along x , y and z are given by

$$n_x = \left\lfloor \frac{l_0 - x_0}{\delta} \right\rfloor \quad (27)$$

$$n_y = \left\lfloor \frac{w_0 - y_0}{\delta} \right\rfloor \quad (28)$$

$$n_z = \left\lfloor \frac{h_0 - z_0}{\delta} \right\rfloor \quad (29)$$

where, l_0 , w_0 and h_0 are the length, width and height of the manipulator frame (\mathcal{P}_0), respectively. The number of points found to be inside the static workspace, \mathcal{S}_1 and \mathcal{S}_2 , are denoted as $N_{\mathcal{S}_1}$ and $N_{\mathcal{S}_2}$ as follows:

$$N_{\mathcal{S}_1} = |\{\mathbf{p}(x_i, y_j, z_k) \in \mathcal{S}_1\}| \quad (30)$$

$$N_{\mathcal{S}_2} = |\{\mathbf{p}(x_i, y_j, z_k) \in \mathcal{S}_2\}| \quad (31)$$

with x_i , y_j and z_k being defined in Eqs. (24-26). The ratios of static workspace, namely $\mathcal{R}_{\mathcal{S}_i}$, $i = 1, 2$, is introduced to quantify the proportion of \mathcal{S}_1 and \mathcal{S}_2 to the task space, respectively.

$$\mathcal{R}_{\mathcal{S}_1} = \frac{N_{\mathcal{S}_1}}{(n_x + 1)(n_y + 1)(n_z + 1)} \quad (32)$$

$$\mathcal{R}_{\mathcal{S}_2} = \frac{N_{\mathcal{S}_2}}{(n_x + 1)(n_y + 1)(n_z + 1)} \quad (33)$$

4 Optimum Design of the Manipulator

This section deals with the optimization of the CDPR design with an embedded tilt-roll wrist. The investigation of the optimum manipulator focuses on two goals. The first one is to determine the optimum cable arrangement. The second goal is to find the optimum design variables of the moving-platform. The design variables appearing in Table 1 are searched for whereas the design parameters given in Table 2 are predefined and constant. The optimization problem aims to maximize the volume of the static workspace, $\mathcal{R}_{\mathcal{S}_2}$. The decision variables describe the overall dimensions of the moving-platform while those of the tilt-roll wrist are considered as design parameters. The positions of the anchor points B_i , $i = 1, \dots, 8$ on \mathcal{P}_1 are also considered as decision variables in order to determine the optimum cable arrangement of the CDPR.

Objective Function

The cable-loops and the tilt-roll wrist have significant effects on the size and shape of the static workspace. The main goal of the manipulator is to achieve large amplitudes of rotations α and β of its moving-platform across its workspace. Therefore, maximizing $\mathcal{R}_{\mathcal{S}_2}$ is the objective function considered to improve the performance of the manipulator.

Design Variables

All the exit-points of the CDPR, namely, A_i and $i = 1, \dots, 8$ are located on the top of \mathcal{P}_0 and on its rectangle vertices. The vertices, namely, \mathcal{A}_i and $i = 1, 2, 3, 4$ are illustrated in Fig. 4. Moreover, we formulate all the combinations of the cable arrangement by assuming that each \mathcal{A}_i , $i = 1, 2, 3, 4$ accommodates two exit-points. Therefore, cable \mathcal{C}_i connects A_i to B_i , and $i = 1, \dots, 8$. The total number \mathcal{N}_a of cable arrangements is computed as:

$$\mathcal{N}_a = \frac{P(n, k)}{v_1! v_2! v_3! v_4!} = \frac{8!}{(2!)^4} = 2520 \quad (34)$$

$P(n, k)$ refers to k -permutations of n with $n = k = 8$. The number of times that \mathcal{A}_i , $i = 1, 2, 3, 4$ can be chosen as exit points is noted as $v_i = 2$. From Eq. (34), 2520 cable arrangements are considered for the CDPR under study. Decision variable, η is associated to the cable arrangement of the CDPR.

The geometric design variables are shown in Figs. 3 and 4. The first decision variable, r_b , is the radius of the circle passing through B_i , $i = 1, \dots, 8$. h_1 denotes the height of the moving-platform. w_b is the width of the top-plate of the moving-platform. All the anchor points are located on a circle drawn on the top-plate with radius of r_b , as shown in Fig. 4.

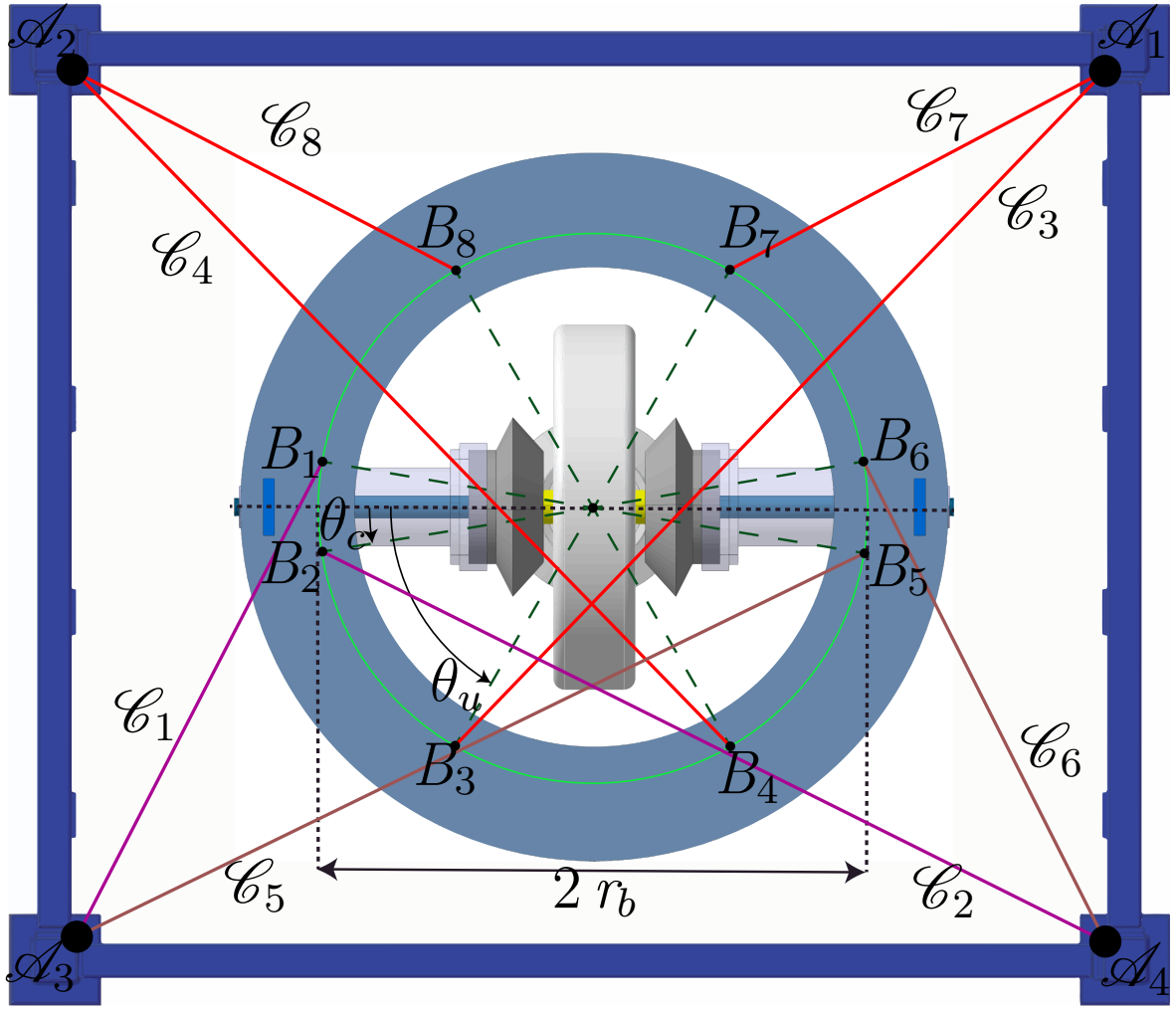


Fig. 4: Top-view of the base frame and up-scaled moving-platform with the embedded tilt-roll wrist

Therefore, the positions of the anchor points ${}^1\mathbf{b}_i$ are defined in polar coordinates as follows:

$${}^1\mathbf{b}_i = -r_b \begin{bmatrix} \cos \theta_i \\ \sin \theta_i \end{bmatrix} \quad i = 1, \dots, 8. \quad (35)$$

The anchor point B_i is connected to the exit point A_i , $i = 1, \dots, 8$. The exit points of the manipulator, A_i , are fixed on the top vertices of \mathcal{P}_0 as shown in Fig. 1.

The anchor points of the cable-loops, namely, B_1, B_2, B_5, B_6 are constrained to be close to x_1 -axis in order to facilitate the actuation of \mathcal{P}_3 and \mathcal{P}_4 . This constraint prevents undesired cable-loop routing. Moreover, the anchor points of the

cable-loops are dependent on one another to guarantee the symmetric actuation of the tilt-roll wrist as follows:

$$\theta_1 = -\theta_c \quad (36)$$

$$\theta_2 = \theta_c \quad (37)$$

$$\theta_5 = \pi - \theta_c \quad (38)$$

$$\theta_6 = \pi + \theta_c \quad (39)$$

θ_c is the cable loop angle depicted in Fig. 4.

Moreover, some constraints are defined to keep a symmetry of the anchor points B_i onto the moving-platform. The following expresses the constraints relating the anchor points of uni-actuated cables to one another:

$$\theta_3 = \theta_u \quad (40)$$

$$\theta_4 = \pi - \theta_u \quad (41)$$

$$\theta_7 = \pi + \theta_u \quad (42)$$

$$\theta_8 = -\theta_u \quad (43)$$

θ_u being the angle defining the location of the anchor points of the uni-actuated cables onto the moving-platform. Therefore, the positions of anchor points B_i , $i = 1, \dots, 8$, are functions of θ_c or θ_u , and the vector \mathbf{x} of decision variables becomes

$$\mathbf{x} = [r_b, h_1, w_b, \theta_c, \theta_u, \eta]^T \quad (44)$$

Constraints

The first constraint is set to prevent collision between the terminal link and the top-plate, \mathcal{P}_5 and \mathcal{P}_1 , respectively. Point E located on the tip of \mathcal{P}_5 is prone to undesired contact with \mathcal{P}_1 . Hence, for the given parameters of the wrist (h_e and

Table 1: Boundaries and optimum values of the design variables

Design variable	r_b	h_1	w_b	θ_c	θ_u	η
Unit	[mm]	[mm]	[mm]	[deg]	[deg]	[]
Lower-bound (lb)	5	100	3	-45	0	1
Optimum value	183	384	8	45	90	201
Upper-bound (ub)	210	400	10	45	360	2520

w_e), the full tilt rotation without any collision with the top-plate is guaranteed as long as:

$$h_e^2 + w_e^2 < h_1^2 \quad (45)$$

The actuation of the tilt-roll wrist requires a tension difference between the two ends of a cable-loop. This tension difference is a function of the total mass m of the tilt-roll wrist. The larger m , the higher the tension difference. Therefore, the upper bound m_{max} of m is set to 5 kg, i.e., $m_{max} = 5$ kg. The lower bound vector, \mathbf{x}_{lb} , and upper bound vector, \mathbf{x}_{ub} , of the decision variable vector \mathbf{x} are given in Table 1.

Finally, the optimization problem at hand is formulated as follows:

$$\begin{aligned}
 &\text{maximize} && f(\mathbf{x}) = \mathcal{R}_{\mathcal{S}_2} \\
 &\text{over} && \mathbf{x} = [r_b, h_1, w_b, \theta_c, \theta_u, \eta]^T \\
 &\text{subject to:} && \\
 &&& g_1 : h_e^2 + w_e^2 < h_1^2 \\
 &&& g_2 : m < m_{max} \\
 &&& \mathbf{x}_{lb} \leq \mathbf{x} \leq \mathbf{x}_{ub}
 \end{aligned} \quad (46)$$

Results

The optimization problem is solved by using a genetic algorithm, i.e., with the ©Matlab *ga* function. The algorithm begins by creating a random initial population. The algorithm then creates a sequence of new populations. At each step, the algorithm uses the individuals in the current generation to create the next population. To create the new population, the algorithm performs different steps including: (i) scoring each member of the current population by computing its fitness

value; (ii) selecting members, called parents, based on their fitness value; (iii) producing children from the parents, children are produced either by making random changes to a single parent-mutation or by combining the vector entries of a pair of parents-crossover; (iv) replacing the current population with the children to form the next generation. Finally, the algorithm stops when one of the stopping criteria is met. The tuning parameters of the algorithm are given in Tab. 3.

The obtained optimum design variable values are given in Tab. 1. The optimum design, cable configuration of the overall manipulator and its maximal static workspaces, namely \mathcal{S}_1 and \mathcal{S}_2 , are illustrated in Fig. 5. The optimum design and cable configuration of the moving-platform yield 0.57 and 0.45 for $\mathcal{R}_{\mathcal{S}_1}$ and $\mathcal{R}_{\mathcal{S}_2}$, respectively.

\mathcal{S}_2 is the translation static workspace of the moving-platform for all possible orientations of the tilt-roll wrist.

Figure 6 shows the isocontours of ratio $\mathcal{R}_{\mathcal{S}_2}$ as a function of masses m_1 and m_2 , with the decision variables set to their optimum values, except r_b and w_b . Note that m_1 depends on r_b , w_b and the material density ρ . $\rho = 7800 \text{ kg/m}^3$ as the top plate is made up of steel. $\mathcal{R}_{\mathcal{S}_2}$ increases with m_1 , while, on the contrary, it decreases with m_2 . However, it can be noticed that the effect of m_1 on $\mathcal{R}_{\mathcal{S}_2}$ is negligible compared to that of m_2 . The maximum applied moment onto \mathcal{P}_3 and \mathcal{P}_4 by cable-loops is proportional to the tension difference in the two segments of cable-loops. It is understood from the obtained results that the variable gravitational wrench onto the moving-platform induced by \mathcal{P}_5 mass has a significant impact on the size of the manipulator workspace.

Similarly, Figs. 7 to 9 illustrate the effect of r_b , θ_c and θ_u on $\mathcal{R}_{\mathcal{S}_2}$. From Figs. 8 to 9, it is noteworthy that $\mathcal{R}_{\mathcal{S}_2}$ is very sensitive to variations in angle θ_u . Indeed, a small variation in θ_u from its nominal value may lead to a significant decrease of $\mathcal{R}_{\mathcal{S}_2}$.

Table 2: Design parameters

Parameter	Abbreviation	Value
Mass of \mathcal{P}_2 [g]	$m_{\mathcal{P}_2}$	60
Mass of \mathcal{P}_3 [g]	$m_{\mathcal{P}_3}$	200
Mass of \mathcal{P}_4 [g]	$m_{\mathcal{P}_4}$	200
Mass of the terminal link [g]	m_2	600
Length of the terminal link [mm]	h_e	126
Width of terminal link [mm]	w_e	20
Minimum admissible cable tension [N]	t_{min}	0
Maximum admissible cable tension [N]	t_{max}	128
Gear ratio of the wrist []	μ	1

Figure 10 shows the workspaces \mathcal{W}_1 and \mathcal{W}_2 of the classical CDPR obtained by replacing the two bi-actuated cables

Table 3: Tuning parameters of the genetic algorithm

Parameter	Abbreviation	Value
Maximum Number of Generations	MNG	100
Function Tolerance	FT	1×10^{-4}
Population Size	PS	200
Crossover Fraction	CF	0.8
Elite Count	EC	$0.05 \times \text{PS}$

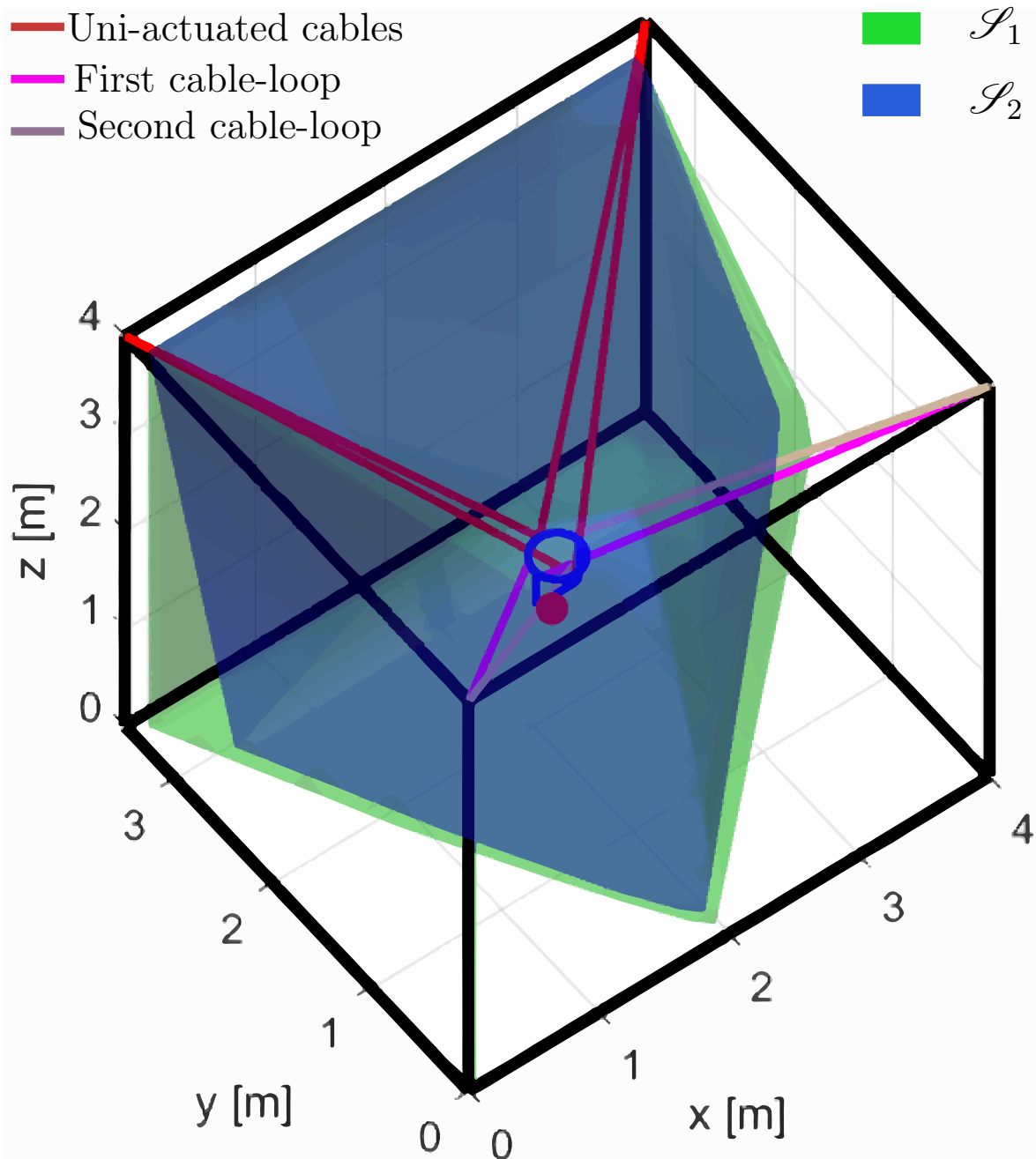


Fig. 5: Workspaces \mathcal{S}_1 and \mathcal{S}_2 associated with the optimum design of the CDPR with an embedded tilt-roll wrist

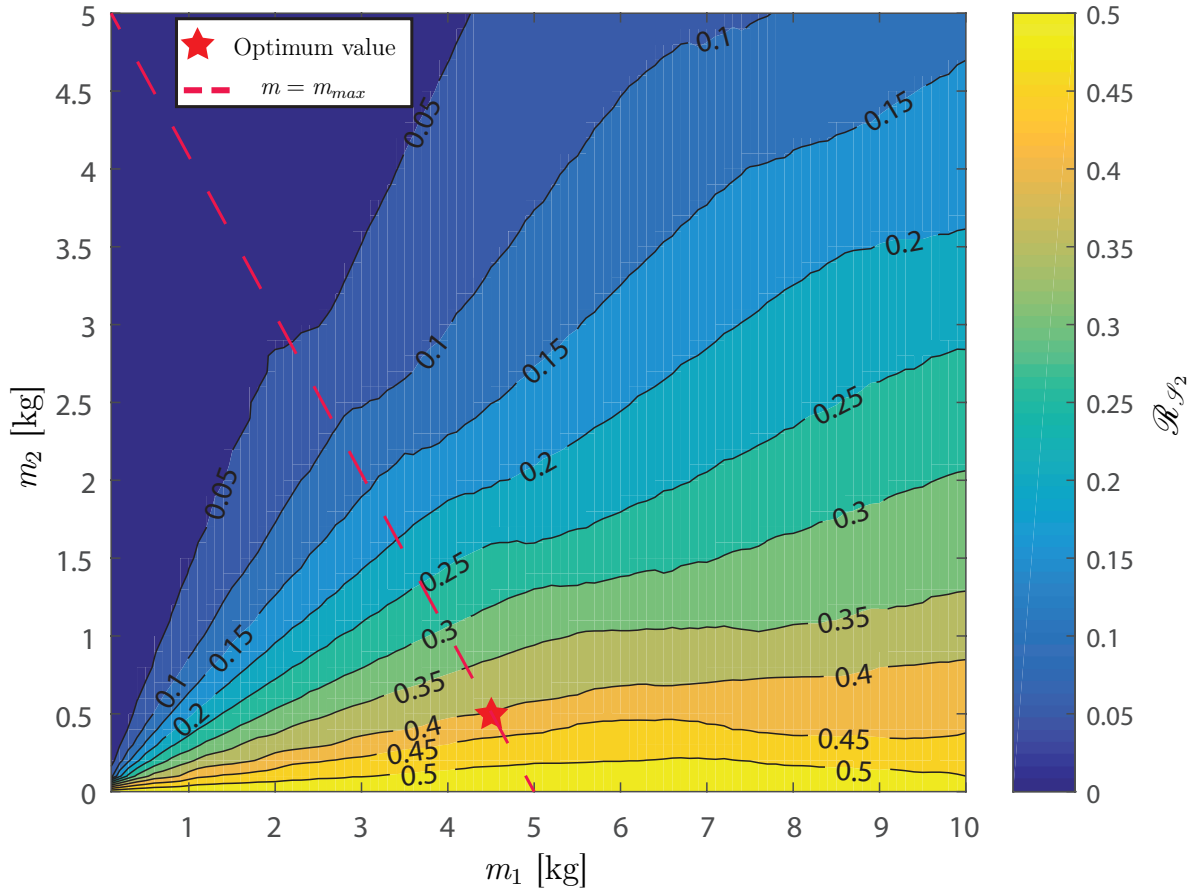


Fig. 6: Ratio $\mathcal{R}_{\mathcal{S}_2}$ of static workspace \mathcal{S}_2 as a function of m_1 and m_2 , the other decision variables being set to their optimal values (Table 1)

(cable loops) depicted in Fig. 5 by four uni-actuated cables. \mathcal{W}_1 amounts to the static workspace of the corresponding classical CDPR with the gravity wrench defined as in (22). \mathcal{W}_2 amounts to the wrench-feasible workspace of the corresponding classical CDPR with the set of external wrenches due the tilt-roll wrist motion defined as in (23). From Figs. 5 and 10, it should be noted by substituting uni-actuated cables with bi-actuated cables (cable-loops), the size of the static workspace decreases. In spite of that, the moving-platform can reach large amplitudes of the tilt and roll rotations as a result of cable-loops. It appears to be a trade-off between large translation and orientation workspaces due to the cable-loops in the fully-actuated CDPR. It is noteworthy that translation and orientation workspaces are maximal when employing two additional actuators as shown in Fig. 11.

5 Prototyping and Experimentation

The prototyping of the moving-platform with embedded tilt-roll wrist is presented in this section. The base frame of the CREATOR platform \mathcal{P}_0 is 4 m long (l_0), 3.5 m wide (w_0) and 4 m high (h_0) as shown in Fig. 1. Steel, aluminum alloys and ABS are used in the manufacturing of the prototype. The prototype of the moving-platform has the overall dimensions

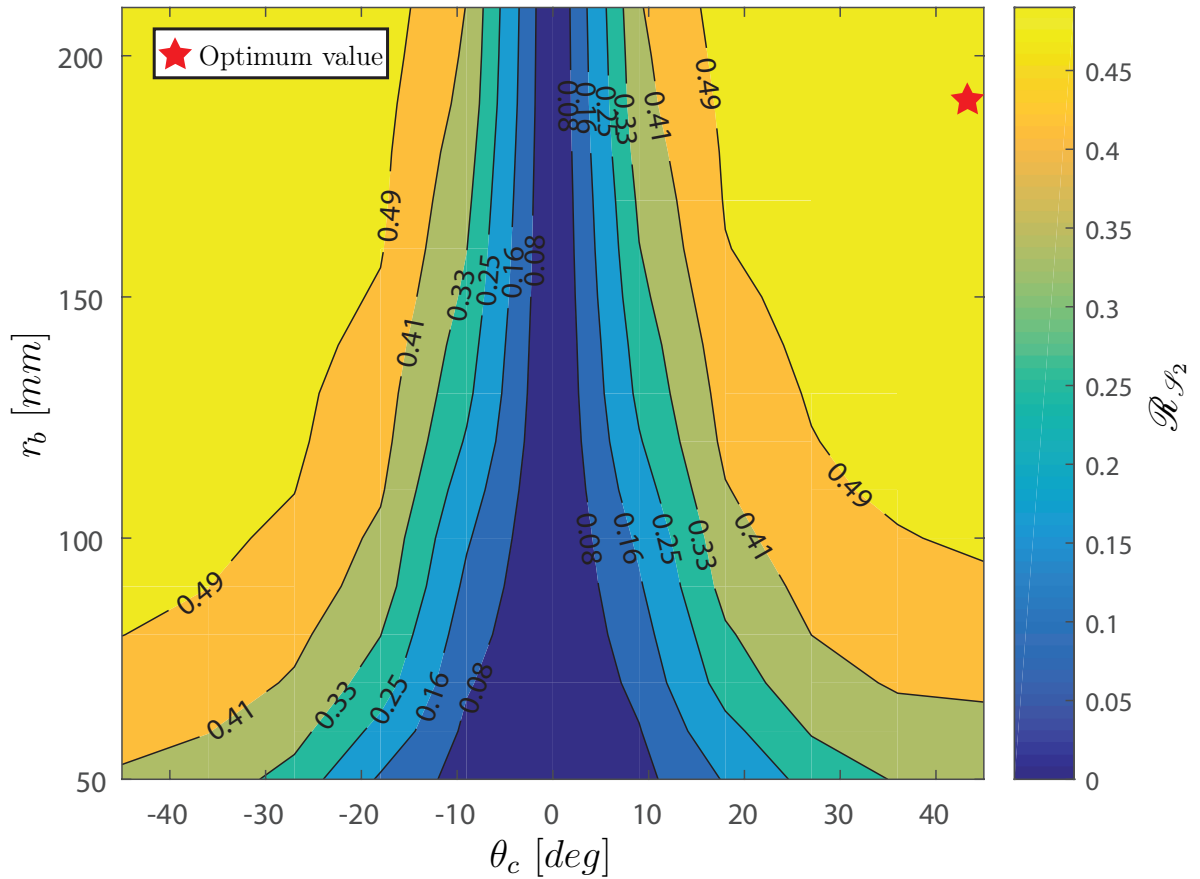


Fig. 7: Ratio $\mathcal{R}_{\mathcal{S}_2}$ of static workspace \mathcal{S}_2 as a function of θ_c and r_b , the other decision variables being set to their optimal values (Table 1)

of $20 \times 20 \times 25$ cm, as shown in Fig. 12. The masses of the components of the moving-platform are given in Table 2. The overall mass of the moving-platform is equal to 3.5 kg. Note that a gearless tilt-roll wrist similar to the gearless pitch-roll wrist introduced in [16] could also be used.

This section also elaborates experimentation process of the CDPR with an embedded tilt-roll wrist. Firstly, we introduce the overall architecture of the demonstrator as depicted in Fig 13. The figure briefly demonstrates the main hardware of the manipulator as well as their connection to one another.

In order to evaluate the large orientation workspace and pose accuracy of the manipulator, two different test-trajectories are proposed. The first one shows the contribution of this CDPR in terms of its rotation workspace with large amplitudes. While, the second path-trajectory puts emphasize on the accuracy of the moving-platform and its sensitivity for a potential surveillance task.

The first test-trajectory¹ focuses on the generation of a desired trajectory for the CDPR with tilt-roll wrist. The main aim of this trajectory is a straightforward demonstration of the large rotational workspace capability of the manipulator. The

¹A video can be found at <http://tiny.cc/oaiycz>

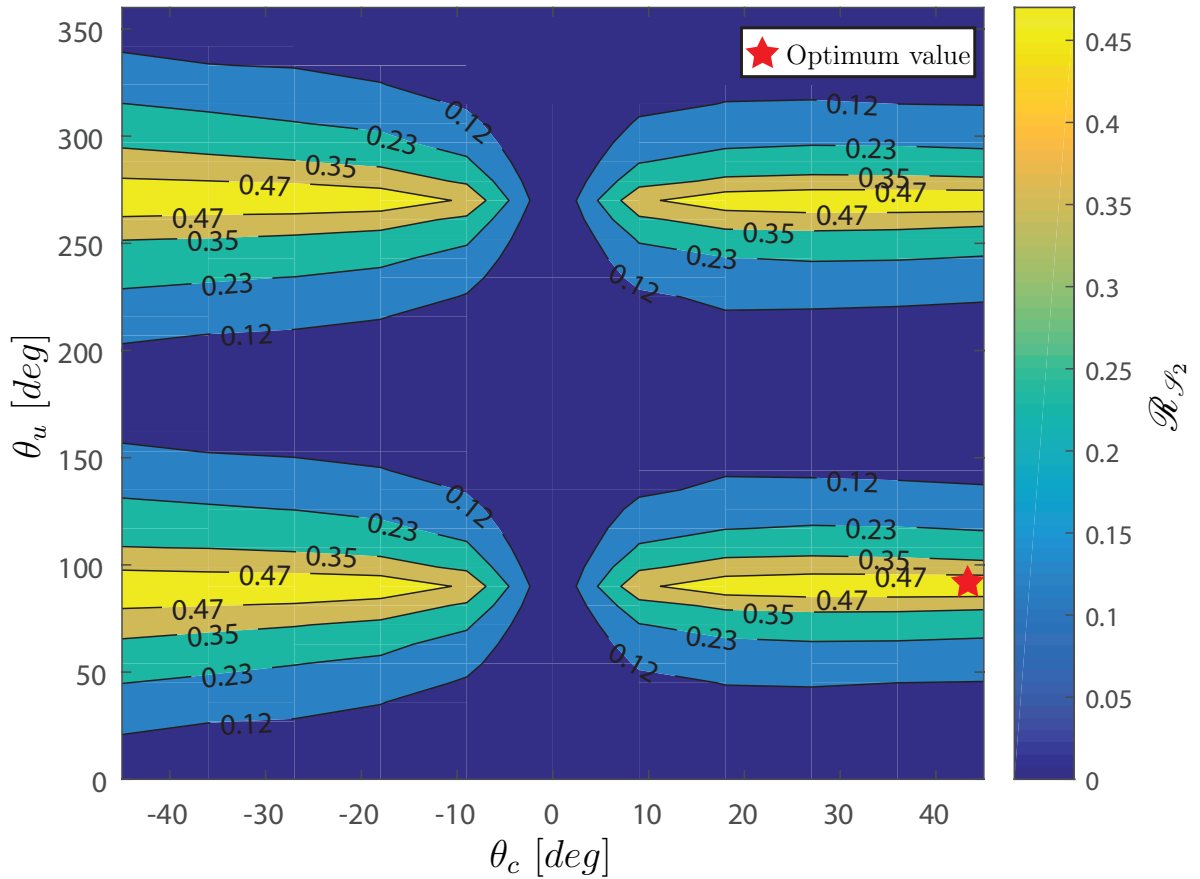


Fig. 8: Ratio $\mathcal{R}_{\mathcal{S}_2}$ of static workspace \mathcal{S}_2 as a function of θ_c and θ_u , the other decision variables being set to their optimal values (Table 1)

test-trajectory is composed of several via-points such that the moving-platform translates between them based on a fifth-order polynomial profile of motions. Within via-points the tilt-roll wrist performs pure tilt, pure roll and combination of both motions. The amplitude of the rotation for the tilt and roll is 8π radians, i.e., four turns.

The second test-trajectory is proposed to demonstrate one of the potential tasks of the CDPR with an embedded tilt-roll wrist requiring high precision of the manipulator in position and orientation. For this task, a laser pointer is attached to the end-effector of the moving-platform. Overall, the laser dot aims at a fixed target on the ground while the moving-platform follows a circular path. The trajectory is designed to evaluate the precision and sensitivity of the tilt-roll wrist. The test-trajectory at hand² consists of the following steps:

1. Start from the home-configuration of the moving-platform and proceed to the starting configuration of the circular path.
2. Perform the circular path of the end-effector while laser-pointer is aimed at the fixed target on the ground.
3. Return to the home-configuration of the moving-platform.

There is a disparity between the desired and actual trajectories during the second phase of the second test-trajectory

²A video can be found at <http://tiny.cc/cohyez>

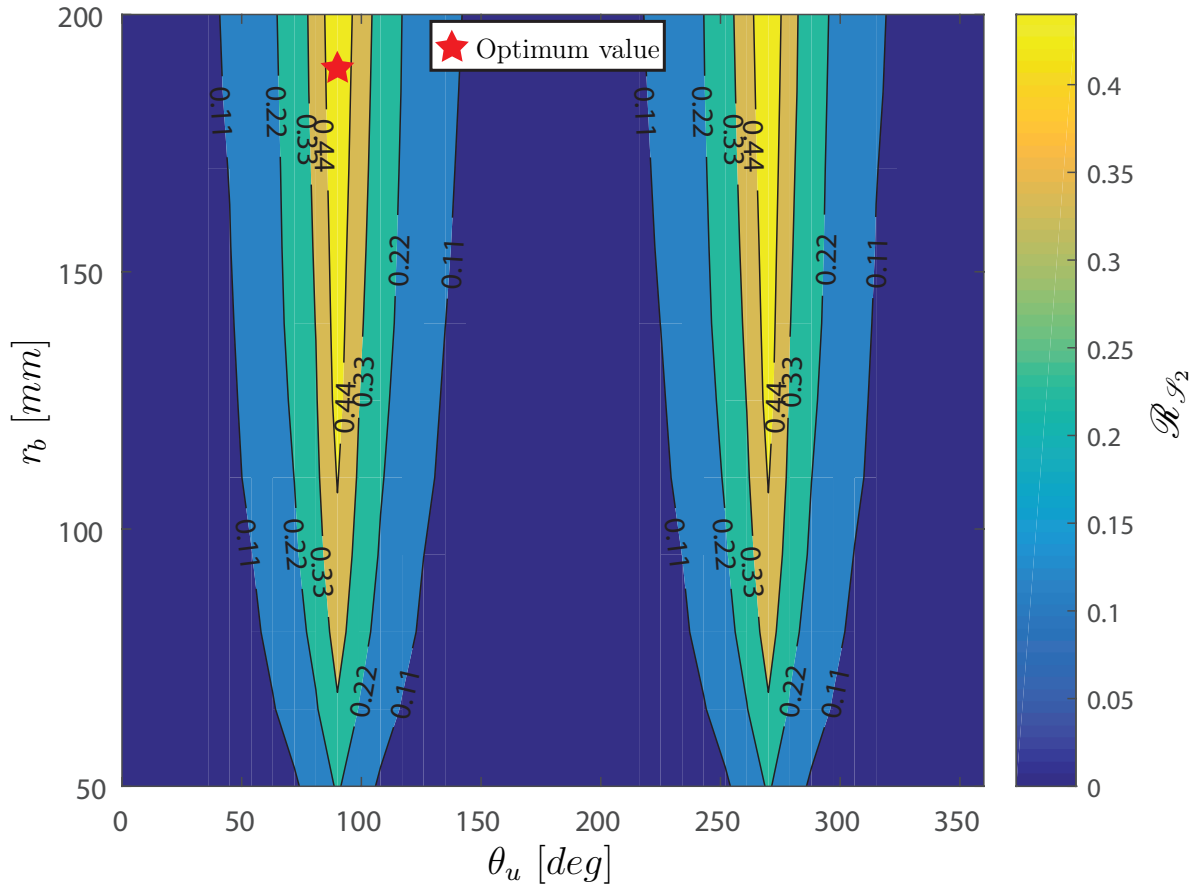


Fig. 9: Ratio $\mathcal{R}_{\mathcal{S}_2}$ of static workspace \mathcal{S}_2 as a function of θ_u and r_b , the other decision variables being set to their optimal values (Table 1)

as shown in Fig. 14. The figure presents the reconstruction of the laser dot through image processing. The upper-bound of the error in the position of the laser-dot with respect to the center of the target is around 30 cm. There are several factors involved in the orienting error of the wrist, but the most influential seems to be the sensitivity of the tilt-roll wrist inputs. Figure 15 presents the variations of the cable lengths as a function of time. More specifically, Fig. 15a presents the cable length variations corresponding to all motions involved in the trajectory, while Fig. 15b presents cable length variations corresponding only to wrist rotations. The maximum required cable length variation is not more than 15 mm. This sensitivity can be reduced simply by increasing the gear ratio of the wrist, namely, μ , which requires substantial modifications in the wrist design. Another solution to improve accuracy in control of the wrist is to employ more sophisticated cable models, e.g. an elastostatic model and a hysteresis model [17]. Moreover a better accuracy could be obtained by improving the control system and acquiring visual feedback on the pose of the manipulator [18, 19].

Figure 16 shows the proportion of the cable loop length variation required for α and β to the maximum cable loop length variation during thorough test-trajectory 2. Clearly, the lengths of the cable loops are not limiting factors in our current design. In general, their lengths can be chosen to be large without affecting other characteristics of the CDPR.

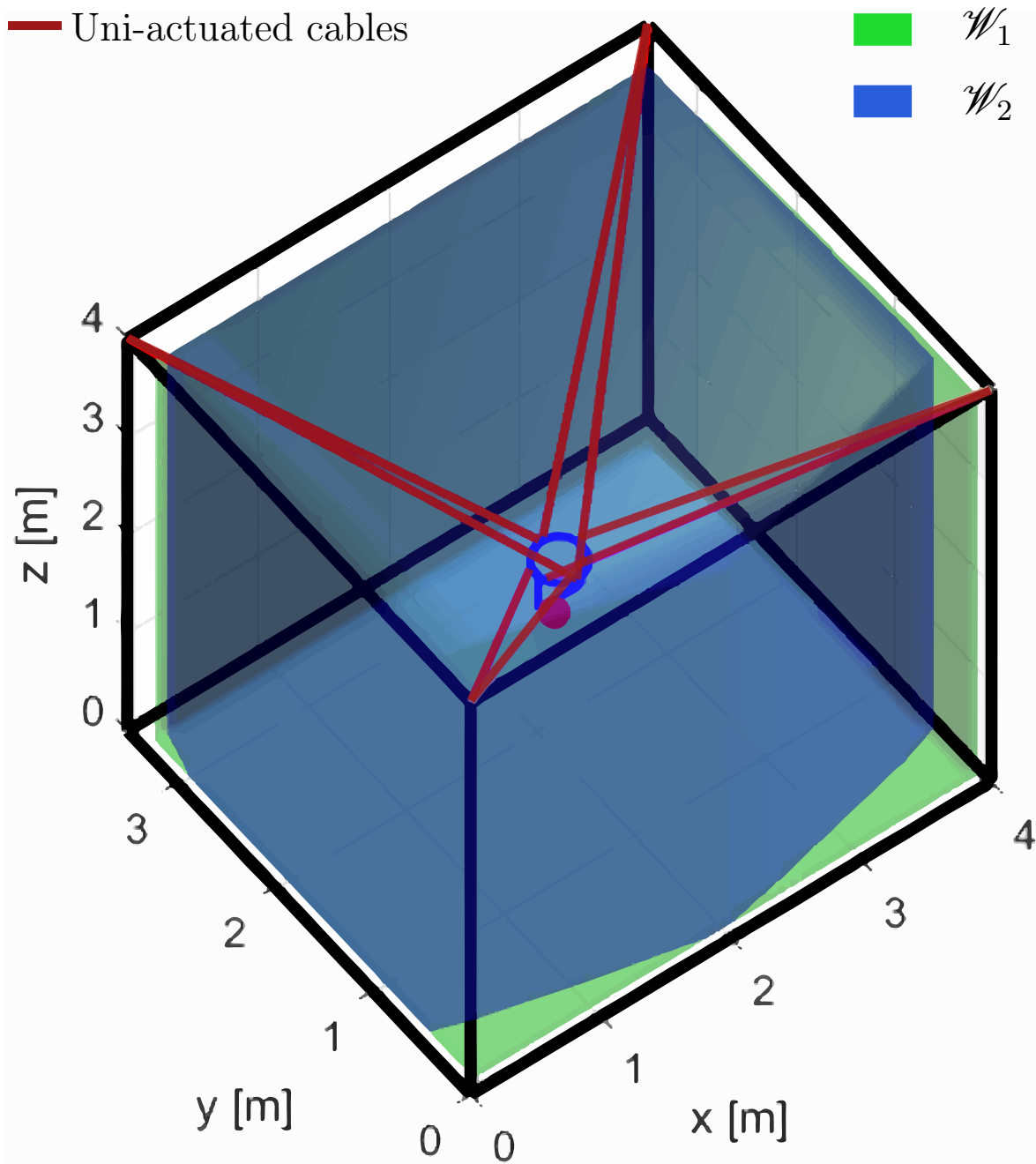


Fig. 10: Workspaces \mathcal{W}_1 and \mathcal{W}_2 of a classical CDPR with design variables values set to the optimum values given in Tab. 1

6 Conclusions

This paper addressed the optimum design and cable configuration of a Cable-Driven Parallel Robot (CDPR) with an embedded tilt-roll wrist for large translational and rotational workspaces. The eight-degree-of-freedom hybrid robot was studied in terms of its kinetostatic workspace. Moreover, design and prototyping of the CDPR with the embedded tilt-roll wrist was presented. The optimization results revealed that, the size of the static workspace highly relies on the specifications of the tilt-roll wrist. That is to say, the variable gravitational moment of the wrist and cable-loops arrangement have crucial

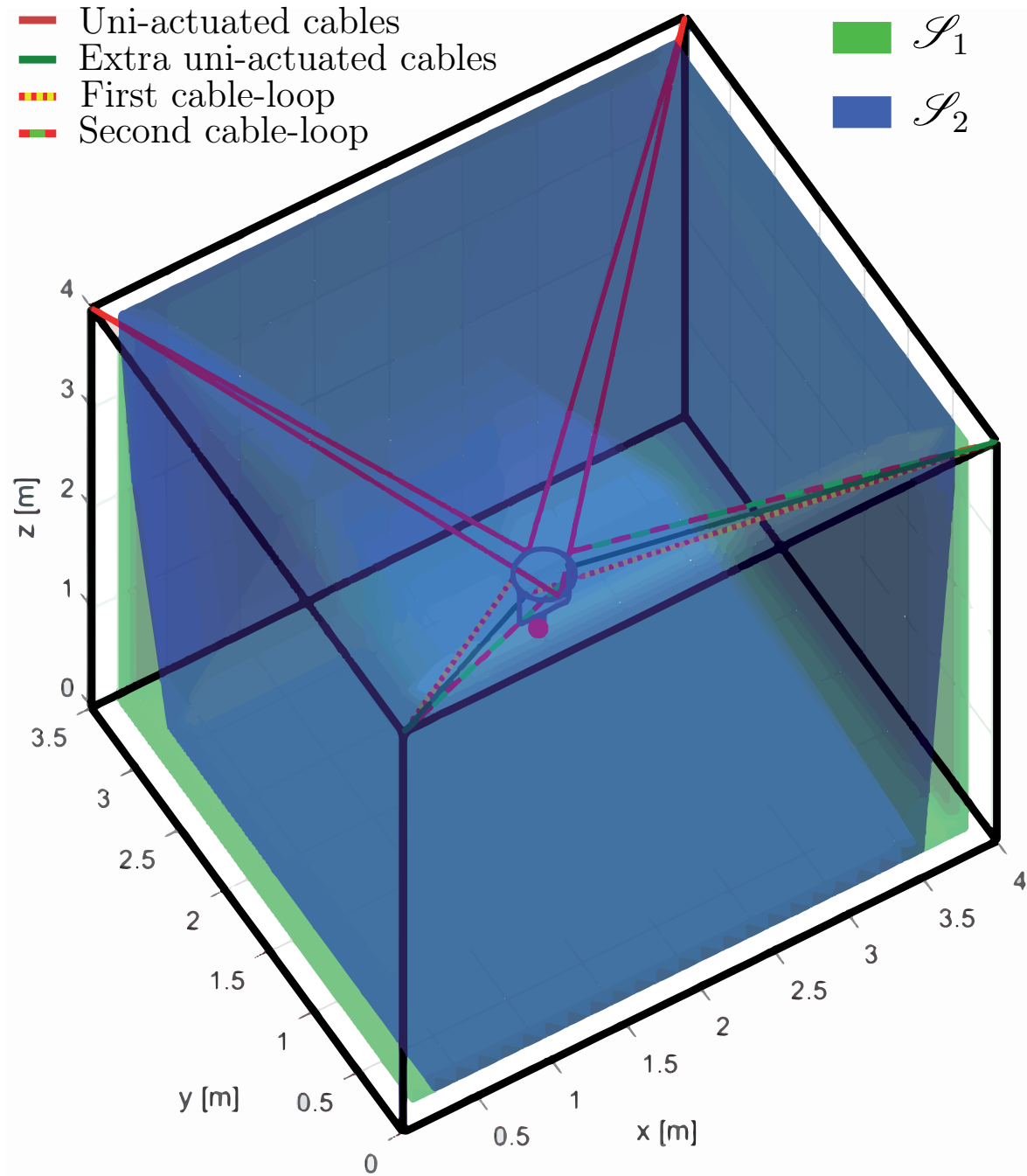


Fig. 11: Workspaces \mathcal{S}_1 and \mathcal{S}_2 associated with the optimum design of the CDPR with an embedded tilt-roll wrist with two additional uni-actuated cables

effects on the workspace size. It should be noted that, the considered workspace assumes no external forces on the moving-platform, except for gravity, so that the workspace analysis is relevant to applications such as, tomography scanning and surveillance.

The moving-platform is suspended by eight cables and its embedded tilt-roll wrist is driven through two bi-actuated cable-loops. As a result, the end-effector covers very large rotation amplitudes about two axes without singularities. This leads to a trade-off, however, between translational and rotational workspaces due to tension coupling in cable-loops for fully-

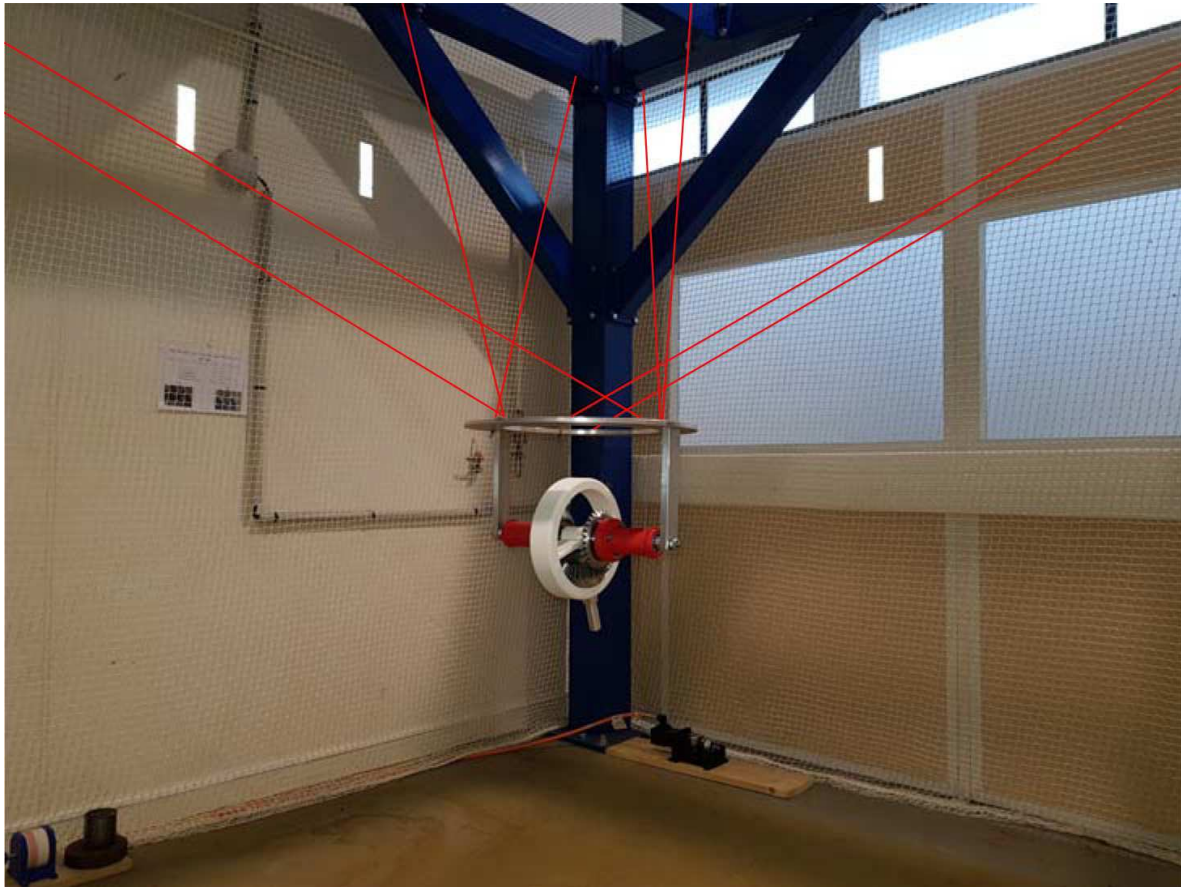


Fig. 12: Prototype of the CDPR with an embedded tilt-roll wrist

actuated CDPRs. Future work will consist in studying other factors influencing the size of the workspace, e.g., orientation of the moving-platform and over-actuation.

7 Acknowledgments

This work is supported by the RFI Altanctic 2020 in the framework of the CREATOR³ project. Jean-Christophe Ruel extracted the laser dot positions from the film of the experiments, and his help is dutifully acknowledged. Assistance provided by Marceau Métilion through the experimentation process is highly appreciated.

Nomenclature

CDPR: Cable-Driven Parallel Robot

DoF: Degree-of-Freedom

WFW: Wrench Feasible Workspace

$\mathcal{F}_0(O_0, x_0, y_0, z_0)$: Base frame centered at O_0

³robot parallèle à Câbles ayant un gRand Espace de trAvail en Translation et en ORientation

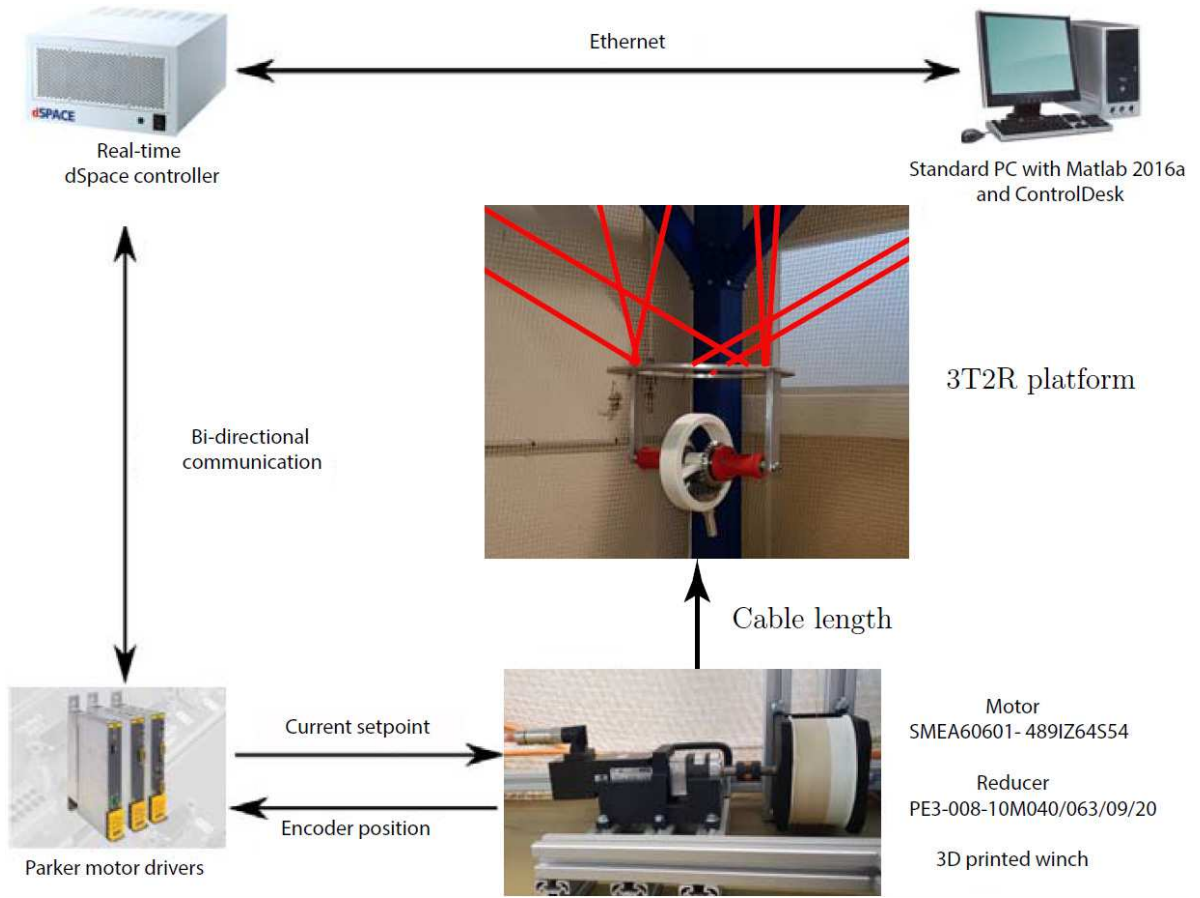


Fig. 13: Equivalent architecture of the prototype

$\mathcal{F}_1(P, x_1, y_1, z_1)$: Coordinate frame attached to the moving-platform

$\mathcal{F}_i(O_i, x_i, y_i, z_i)$: Coordinate frame attached to the part \mathcal{P}_i , $i = 2, \dots, 5$

\mathcal{C}_i : i -th cable of the manipulator, $i = 1, \dots, 8$

\mathcal{C}_{12} : First cable-loop of the manipulator

\mathcal{C}_{12} : Second cable-loop of the manipulator

\mathcal{P}_0 : Fixed frame of the manipulator

\mathcal{P}_1 : Structure of the moving-platform

\mathcal{P}_2 : Carrier of the tilt-roll wrist

\mathcal{P}_3 : First gear of the tilt-roll wrist

\mathcal{P}_4 : Second gear of the tilt-roll wrist

\mathcal{P}_5 : Terminal link of the tilt-roll wrist

A_i : i -th cable exit point, $i = 1, \dots, 8$

B_i : i -th cable anchor point, $i = 1, \dots, 8$

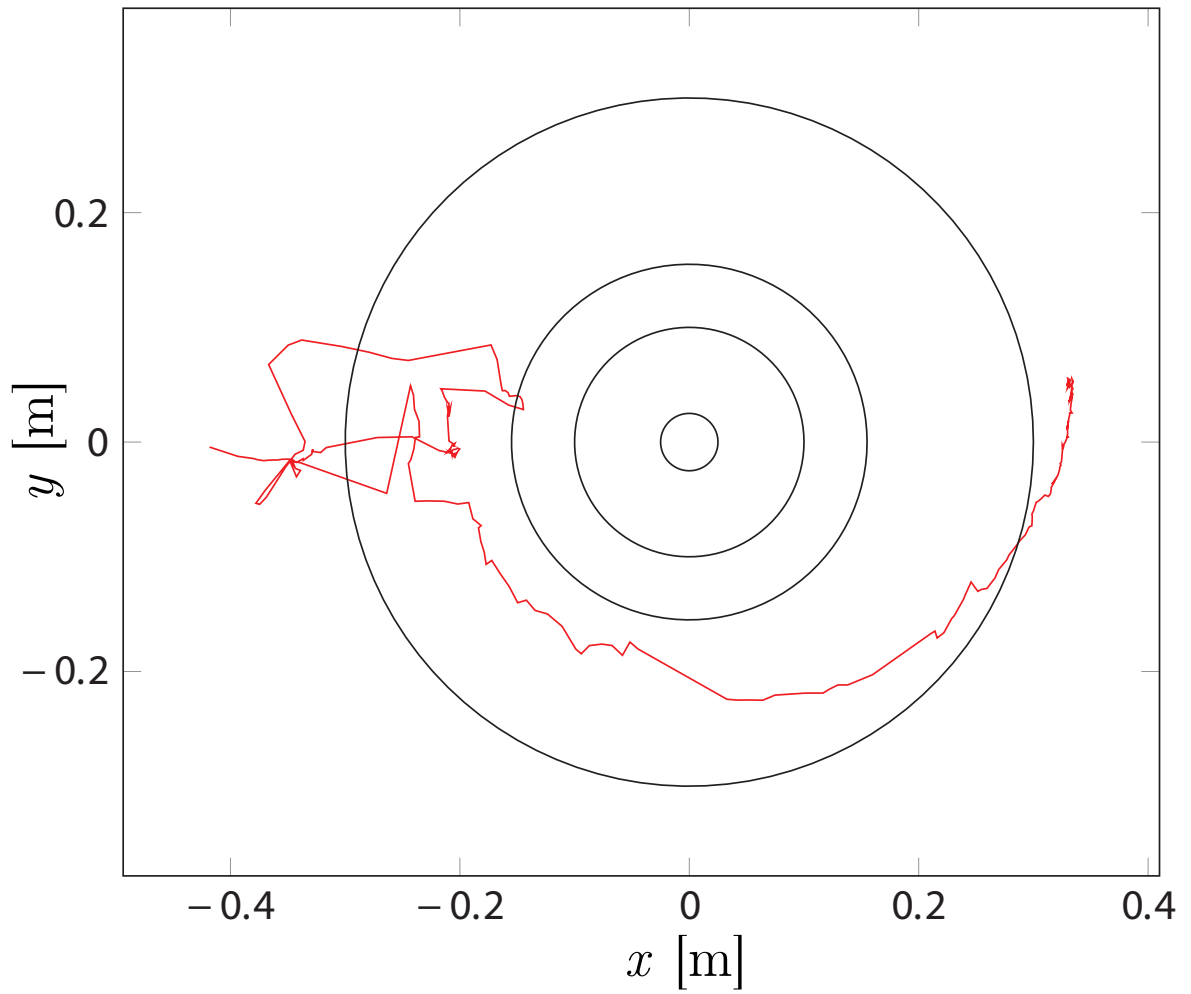


Fig. 14: Extracted laser dot trajectory during the second phase of the test-trajectory 2

\mathbf{l}_i : i -th cable vector pointing from point B_i to point A_i

l_i : i -th cable length, $i = 1, \dots, 8$

\mathbf{a}_i : Cartesian coordinates vector of point A_i

\mathbf{b}_i : Cartesian coordinates vector of point B_i

${}^0\mathbf{R}_1$: Rotation matrix from frame \mathcal{F}_0 to frame \mathcal{F}_1

\mathbf{u}_i : i -th cable unit vector $i = 1, \dots, 8$

\mathbf{t}_i : i -th cable tension vector $i = 1, \dots, 8$

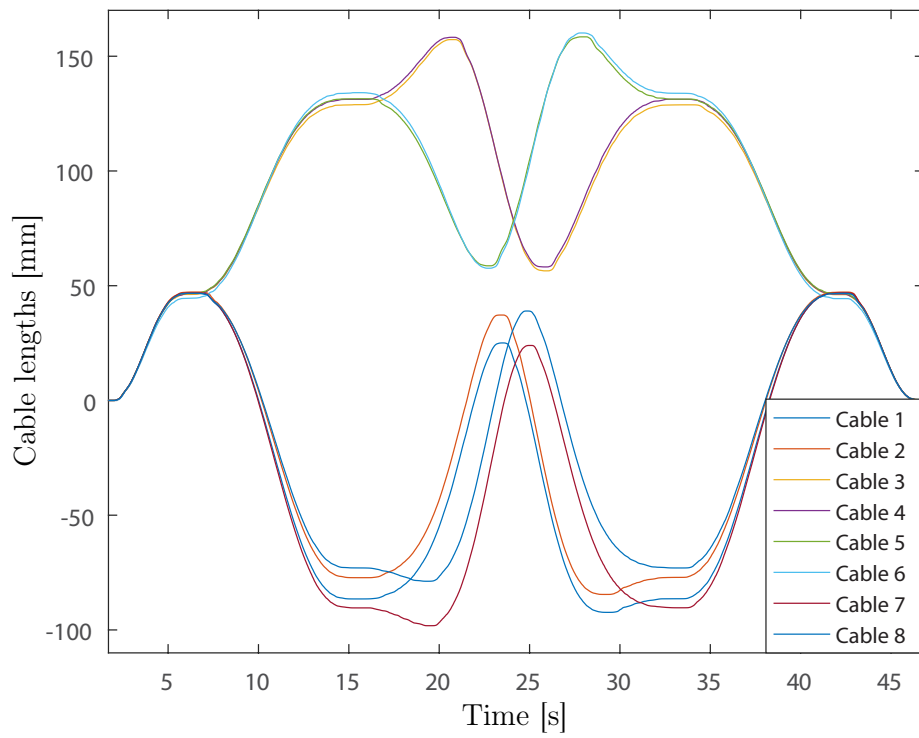
t_i : i -th cable tension, $i = 1, \dots, 8$

m : Moving-platform mass

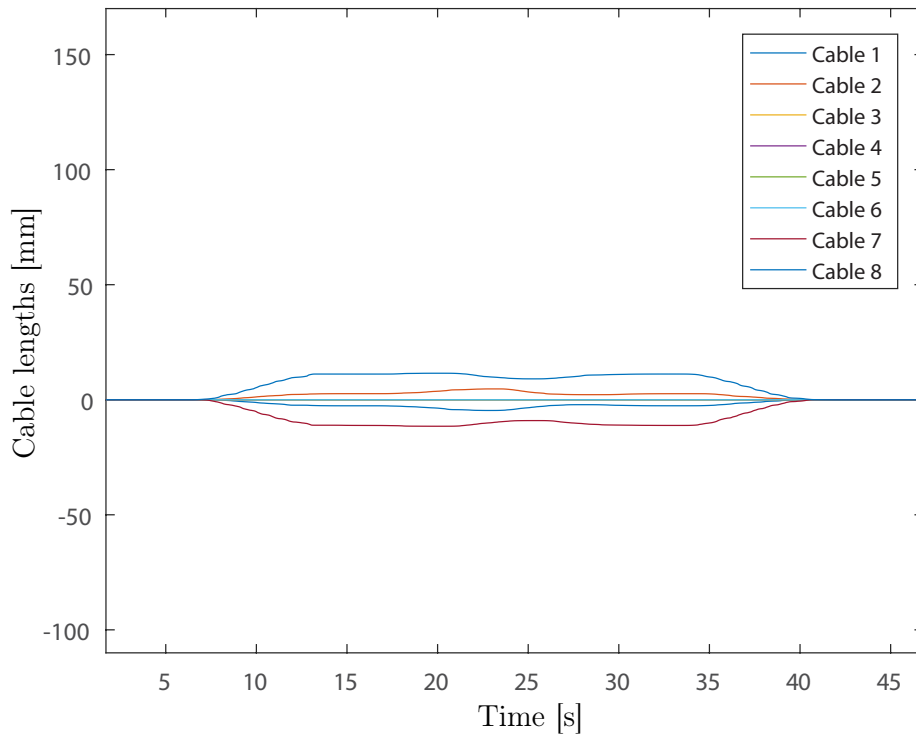
\mathbf{g} : Gravitational acceleration vector

g : Gravitational acceleration equal to 9.81 m/s^2

\mathbf{c} : Cartesian coordinates vector of the CoM of the overall platform



(a) Both the moving-platform and the wrist move



(b) Wrist motion only

Fig. 15: Cable length profiles for test-trajectory 2

\mathbf{c}_1 : Cartesian coordinates vector of the CoM of components \mathcal{P}_1 to \mathcal{P}_4

\mathbf{c}_2 : Cartesian coordinates vector of the CoM of \mathcal{P}_5

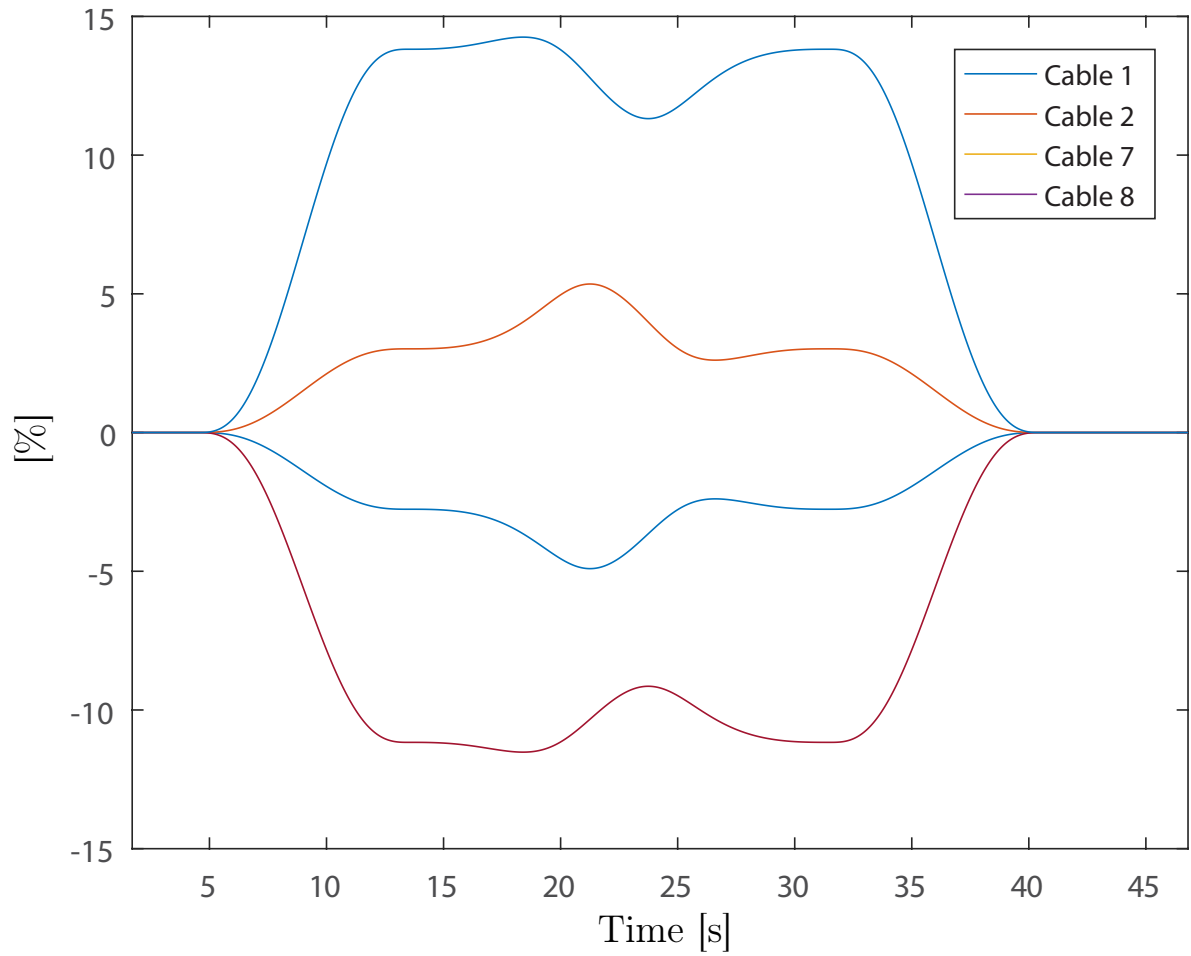


Fig. 16: Proportion of the cable-loop length due to the wrist motion during the test-trajectory 2

m_1 : Mass of components \mathcal{P}_1 to \mathcal{P}_4

m_2 : Mass of the end-effector

\mathbf{W} : Wrench matrix

\mathbf{d}_i : Moment exerted on the moving-platform by the i -th cable, $i = 1, \dots, 8$

m_b : Mass of the moving-platform base

m_c : Mass of the moving-platform columns

m_s : Mass of the moving-platform shaft

$m_{\mathcal{P}_i}$: Mass of the part \mathcal{P}_i

τ_3 : Input tilt-roll wrist torque associated to \mathcal{P}_3

τ_4 : Input tilt-roll wrist torque associated to \mathcal{P}_4

r_c : Radius of the grooves made in \mathcal{P}_3 and \mathcal{P}_4

α : Tilt angle of the wrist

β : Roll angle of the wrist

$\mathbf{m}_{\alpha, \beta} = [m_{\alpha}, m_{\beta}]^T$: The array of the moments applied by gravity onto the tilt-roll wrist about axes z_2 and z_5 , respectively.

\mathbf{t}_{min} : Cable tension lower-bound vector

\mathbf{t}_{max} : Cable tension upper-bound vector

t_{min} : Minimum admissible cable tension

t_{max} : Maximum admissible cable tension

\mathbf{p} : Cartesian coordinates vector of point P

h_1 : Distance between P and O_2 along z

h_2 : Distance between O_2 and C_2 along z

w_2 : Distance between O_2 and C_2 along x

$\mathbf{m}_g = [m_{g_x}, m_{g_y}, m_{g_z}]^T$: Moment due to the weight of \mathcal{P}_5 exerted on the tilt-roll wrist

\mathcal{T} : Cable tension space

$\mathbf{q}_{TR} = [\alpha, \beta]^T$: Configuration of the tilt-roll wrist

\mathcal{S} : Static workspace

\mathcal{S}_1 : Subset of the static workspace expressed in Eq. (22)

\mathcal{S}_2 : Subset of the static workspace expressed in Eq. (23)

\mathcal{W}_1 : Static workspace of an equivalent classical CDPR by replacing cable-loops with uni-actuated ones

\mathcal{W}_2 : wrench-feasible workspace of an equivalent classical CDPR by replacing cable-loops with uni-actuated ones, with the set of external wrenches due to the tilt-roll wrist motion defined in (23)

$N_{\mathcal{S}_1}$: Number of points found to be inside the static workspace, \mathcal{S}_1

$N_{\mathcal{S}_2}$: Number of points found to be inside the static workspace, \mathcal{S}_2

$\mathcal{R}_{\mathcal{S}_i}$: Proportion of \mathcal{S}_i to the task space

\mathbf{x} : Decision variable vector

\mathbf{x}_{lb} : Lower-bound of decision variable vector

\mathbf{x}_{ub} : Upper-bound of decision variable vector

r_b : Radius of the circle passing through B_i , $i = 1, \dots, 8$

w_b : Width of the top-plate

θ_i : Angle defining the location of the i -th anchor point on the top-plate, $i = 1, \dots, 8$

θ_c : Angle defining the location of the anchor points of the cable-loops onto the top-plate

θ_i : Angle defining the location of the anchor points of the uni-actuated cables onto the top-plate

h_e : Length of the terminal link

w_e : Width of the terminal link

μ : Gear ratio of the wrist

η : Cable arrangement number

\mathcal{N}_a : Total number of cable arrangements

r_i : Pitch radius of the gear attached to part \mathcal{P}_i , $i = 3, 4, 5$

l_0 : Length of the base frame, i.e., \mathcal{P}_0

w_0 : Width of the base frame, i.e., \mathcal{P}_0

h_0 : Height of the base frame, i.e., \mathcal{P}_0

m_{max} : Maximum admissible mass of the moving-platform

E: End-effector point

e: Cartesian coordinates vector of point E

References

- [1] Casey Lambert, Meyer Nahon, and Dean Chalmers. Implementation of an aerostat positioning system with cable control. *IEEE/ASME Transactions on Mechatronics*, 12(1):32–40, 2007.
- [2] Paul Bosscher, Robert L Williams II, L Sebastian Bryson, and Daniel Castro-Lacouture. Cable-suspended robotic contour crafting system. *Automation in construction*, 17(1):45–55, 2007.
- [3] Roger Bostelman, James Albus, Nicholas Dagalakis, Adam Jacoff, and John Gross. Applications of the nist robocrane. In *Proceedings of the 5th International Symposium on Robotics and Manufacturing*, pages 14–18, 1994.
- [4] Lorenzo Gagliardini, Stéphane Caro, Marc Gouttefarde, and Alexis Girin. Discrete reconfiguration planning for cable-driven parallel robots. *Mechanism and Machine Theory*, 100:313–337, 2016.
- [5] Sadao Kawamura, Hitoshi Kino, and Choe Won. High-speed manipulation by using parallel wire-driven robots. *Robotica*, 18(1):13–21, 2000.
- [6] Angelos Platis, Tahir Rasheed, Philippe Cardou, and Stéphane Caro. Isotropic design of the spherical wrist of a cable-driven parallel robot. In *Advances in Robot Kinematics 2016*, pages 321–330. Springer, 2018.
- [7] Hamed Khakpour and Lionel Birglen. Workspace augmentation of spatial 3-dof cable parallel robots using differential actuation. In *Intelligent Robots and Systems (IROS 2014), 2014 IEEE/RSJ International Conference on*, pages 3880–

3885. IEEE, 2014.

- [8] Hamed Khakpour, Lionel Birglen, and Souheil-Antoine Tahan. Synthesis of differentially driven planar cable parallel manipulators. *IEEE Transactions on Robotics*, 30(3):619–630, 2014.
- [9] Hamed Khakpour, Lionel Birglen, and Souheil-Antoine Tahan. Analysis and optimization of a new differentially driven cable parallel robot. *Journal of Mechanisms and Robotics*, 7(3):034503, 2015.
- [10] Saman Lessanibahri, Philippe Cardou, and Stéphane Caro. Kinetostatic analysis of a simple cable-driven parallel crane. In *Proceedings of the ASME 2018 International Design Engineering Technical Conferences & Computers and Information in Engineering Conference IDETC/CIE 2018*, Quebec city, Canada, August 28, 2018.
- [11] Saman Lessanibahri, Philippe Cardou, and Stéphane Caro. Kinetostatic modeling of a cable-driven parallel robot using a tilt-roll wrist. In *Proceedings of CableCon 2019, 15th IFToMM World Congress*, Krakow, Poland, June 30 July 4, 2019.
- [12] François Guay, Philippe Cardou, Ana Lucia Cruz-Ruiz, and Stéphane Caro. Measuring how well a structure supports varying external wrenches. In *New Advances in Mechanisms, Transmissions and Applications*, pages 385–392. Springer, 2014.
- [13] Ana Lucia Cruz Ruiz, Stéphane Caro, Philippe Cardou, and François Guay. Arachnis: Analysis of robots actuated by cables with handy and neat interface software. In *Cable-Driven Parallel Robots*, pages 293–305. Springer, 2015.
- [14] Julian Benedict Czupalay Erskine, Abdelhamid Chriette, and Stéphane Caro. Wrench Analysis of Cable-Suspended Parallel Robots Actuated by Quadrotors UAVs. *Journal of Mechanisms and Robotics*, 11(2):020909–1 – 020909–12, 2019.
- [15] Tahir Rasheed, Philip Long, and Stéphane Caro. Wrench-Feasible Workspace of Mobile Cable-Driven Parallel Robots. *Journal of Mechanisms and Robotics*, pages 1–23, 11 2019.
- [16] Shaoping Bai and Jorge Angeles. The design of a gearless pitch-roll wrist. In *Robotics and Automation, 2005. ICRA 2005. Proceedings of the 2005 IEEE International Conference on*, pages 3213–3218. IEEE, 2005.
- [17] Sana Baklouti, Eric Courteille, Stéphane Caro, and Mohamed Dkhil. Dynamic and oscillatory motions of cable-driven parallel robots based on a nonlinear cable tension model. *Journal of Mechanisms and Robotics*, 9(6), 10 2017. 061014.
- [18] Z. Zake, F. Chaumette, N. Pedemonte, and S. Caro. Vision-based control and stability analysis of a cable-driven parallel robot. *IEEE Robotics and Automation Letters*, 4(2):1029–1036, April 2019.
- [19] Kazuhito Hyodo and Hiroaki Kobayashi. Kinematic and control issues on tendon controlled wrist mechanism. In *Robotics, Mechatronics and Manufacturing Systems edited by T. Takamori, K. Tsuchiya*, pages 89–94. Elsevier, 1992.