



HAL
open science

The Boltzmann project

J. Fischer, B. Fellmuth, C. Gaiser, T. Zandt, Laurent E Pitre, Fernando Sparasci, Mark Plimmer, M. de Podesta, R. Underwood, G. Sutton, et al.

► **To cite this version:**

J. Fischer, B. Fellmuth, C. Gaiser, T. Zandt, Laurent E Pitre, et al.. The Boltzmann project. *Metrologia*, 2018, 55 (2), pp.R1-R20. 10.1088/1681-7575/aaa790 . hal-02410541

HAL Id: hal-02410541

<https://hal.science/hal-02410541>

Submitted on 29 Nov 2021

HAL is a multi-disciplinary open access archive for the deposit and dissemination of scientific research documents, whether they are published or not. The documents may come from teaching and research institutions in France or abroad, or from public or private research centers.

L'archive ouverte pluridisciplinaire **HAL**, est destinée au dépôt et à la diffusion de documents scientifiques de niveau recherche, publiés ou non, émanant des établissements d'enseignement et de recherche français ou étrangers, des laboratoires publics ou privés.

Published in final edited form as:

Metrologia. 2018 ; 55: . doi:10.1088/1681-7575/aaa790.

The Boltzmann project

J Fischer¹, B Fellmuth¹, C Gaiser^{1,13}, T Zandt¹, L Pitre², F Sparasci², M D Plimmer², M de Podesta³, R Underwood³, G Sutton³, G Machin³, R M Gavioso⁴, D Madonna Ripa⁴, P P M Steur⁴, J Qu⁵, X J Feng⁵, J Zhang⁵, M R Moldover⁶, S P Benz⁶, D R White⁷, L Gianfrani⁸, A Castrillo⁸, L Moretti⁸, B Darquié⁹, E Moufaredj⁹, C Daussy⁹, S Briaudeau¹⁰, O Kozlova¹⁰, L Risegari¹⁰, J J Segovia¹¹, M C Martín¹¹, and D del Campo¹²

¹Physikalisch-Technische Bundesanstalt (PTB), Abbestrasse 2-12, 10587 Berlin, Germany

²Laboratoire Commun de Métrologie (LNE-CNAM), 61 rue du Landy, 93210 La Plaine-Saint-Denis, France ³National Physical Laboratory (NPL), Hampton Road, Teddington, TW11 0LW, United Kingdom ⁴Istituto Nazionale di Ricerca Metrologica (INRiM), Strada delle Cacce 91, 10135 Torino, Italy ⁵National Institute of Metrology (NIM), Beijing 100029, People's Republic of China ⁶National Institute of Standards and Technology (NIST), Gaithersburg and Boulder, United States of America ⁷Measurement Standards Laboratory of New Zealand (MSL), Lower Hutt, New Zealand ⁸Dipartimento di Matematica e Fisica, Università degli Studi della Campania "Luigi Vanvitelli" Viale Lincoln 5, 81100 Caserta, Italy ⁹Université Paris 13, Sorbonne Paris Cité, CNRS, UMR 7538, Laboratoire de Physique des Lasers (LPL), 93430 Villetaneuse, France ¹⁰Laboratoire National de Métrologie et d'essais (LNE), 1 rue Gaston Boissier, 75724 Paris, France ¹¹TERMOCAL Research Group, University of Valladolid (UVa), Paseo del Cauce 59, 47011 Valladolid, Spain ¹²Centro Español de Metrología (CEM), Alfar 2, 28760 Tres Cantos, Madrid, Spain

Abstract

The International Committee for Weights and Measures (CIPM), at its meeting in October 2017, followed the recommendation of the Consultative Committee for Units (CCU) on the redefinition of the kilogram, ampere, kelvin and mole. For the redefinition of the kelvin, the Boltzmann constant will be fixed with the numerical value $1.380\,649 \times 10^{-23} \text{ J K}^{-1}$. The relative standard uncertainty to be transferred to the thermodynamic temperature value of the triple point of water will be 3.7×10^{-7} , corresponding to an uncertainty in temperature of 0.10 mK, sufficiently low for all practical purposes. With the redefinition of the kelvin, the broad research activities of the temperature community on the determination of the Boltzmann constant have been very successfully completed. In the following, a review of the determinations of the Boltzmann constant k , important for the new definition of the kelvin and performed in the last decade, is given.

¹³Author to whom any correspondence should be addressed: Christof.gaiser@ptb.de.

ORCID iDs

M de Podesta <https://orcid.org/0000-0002-6635-6806>

G Machin <https://orcid.org/0000-0002-8864-6951>

Keywords

fundamental constant; Boltzmann constant; International System of Units (SI); revised SI; primary thermometry

1. Determination of the Boltzmann constant and the new kelvin

In 1827, the Scottish botanist Robert Brown observed moving tiny particles suspended in water. All attempts to explain this effect—later called Brownian motion—initially failed. It was only Albert Einstein who realised that the movement of the small particles in the liquid was caused by continual collisions of the water molecules. In 1905, he submitted his work to the ‘Annalen der Physik’ [1], in which he explained the Brownian motion. Einstein’s description matched the then very new molecular theory of heat. The warmer the water, for example, the greater the mean velocity by which the water molecules move in an unordered way and thus can cause collisions. Thus, the term ‘thermodynamics’ can be explained: heat is something which is dynamic.

It was the French physicist Jean-Baptiste Perrin who confirmed the Brownian motion experimentally with great precision. On the basis of Einstein’s model concepts, he was one of the first, in 1908, to experimentally determine the Avogadro constant N_A and thus also the Boltzmann constant k . The fact that the mean of his values showed an error of some 1% for N_A and k can be rated as a quantitative proof for the correctness of the kinetic theory of heat and, thus, also as a further indicator for the atomic structure of matter. In 1926, Perrin was awarded the Nobel Prize for the latter achievement.

How can the velocity of microscopic particles be used to measure temperature T ? Ludwig Boltzmann derived in the second half of the 19th century the Maxwell–Boltzmann velocity distribution. Therein, the quantity, which is characteristic for the distribution is the microscopic thermal energy kT . By fixing the value of the Boltzmann constant k , the kelvin will be directly linked to the unit of energy—the joule. Boltzmann noticed that in the case of an ideal gas, the thermal energy increases proportionally to the mean kinetic energy of the gas particles. In a closed volume, this energy is directly measurable via the gas pressure and the number of particles. The pressure p is described—with the interaction between the particles being negligible—by means of the equation of state of the ideal gas. The thermometer based on this law is the traditional gas thermometer whose uncertainty, however, is too large for the determination of the Boltzmann constant with the precision required for the redefinition of the kelvin.

When redefining the kelvin, the measurement uncertainty of the value of the Boltzmann constant k should be comparable to the uncertainty of the realisation used so far. Therefore, the Consultative Committee for Thermometry (CCT), which was created eighty years ago to advise the International Committee for Weights and Measures (CIPM) on matters of thermometry, recommended to the CIPM that the numerical value of the Boltzmann constant should not be fixed before the following two conditions are met [2]:

- the relative standard uncertainty of the adjusted (mean) value of k is less than 1×10^{-6}
- the determination of k is based on at least two fundamentally different methods, of which at least one result for each shall have a relative standard uncertainty less than 3×10^{-6} .

These conditions ensure that the best estimate of the triple point of water (TPW) temperature T_{TPW} remains 273.16 K after the redefinition. Measurements taken with only one method are not considered to be sufficiently robust for a fixing of the numerical value. They have to be confirmed by other independent methods to be able to detect and correct hidden errors inherent in the systems.

The state of the art of the determinations of the values of physical fundamental constants is periodically reviewed by the CODATA task group on fundamental constants (TGFC). All values of the Boltzmann constant recommended by the TGFC in its adjustments since 1973 are shown in figure 1. The only method used in the experiments contributing to the adjustment of 1973 was constant volume gas thermometry (CVGT) [3]. The next adjustment, dated 1986 [4], exhibits a decrease in uncertainty by nearly a factor of four. This was obtained by switching from difficult-to-measure extensive quantities in CVGT to the more accurately measurable intensive quantity speed of sound. This method is called acoustic gas thermometry (AGT) [5]. Another factor of five was gained by introducing spherical resonators in AGT [6] replacing the cylindrical systems (c-AGT) used by Colclough and Quinn. We note that all three adjustments from 1998 to 2006 [7–9] were based only on the same seminal measurement at the National Institute of Standards and Technology (NIST). The final step forward was achieved by the international Boltzmann project [10], whose results contributed essentially to the adjustments of 2010, 2014 and 2017 [11–13].

In the following, this project and its outcomes are described in detail leading to the final relative standard uncertainty of the 2017 adjusted value of the Boltzmann constant of only 3.7×10^{-7} [13].

2. Primary thermometry

As the microscopic thermal energy kT is not directly accessible by experiment, macroscopic quantities, which are unambiguously correlated with the thermal energy [14], must be measured for the determination of k at a known temperature. The thermometers used for this purpose are called primary thermometers as they do not require any calibration. To attain the smallest possible uncertainties, the experiments were carried out at the triple point of water. As the base unit kelvin is currently defined via this fixed point, this temperature can be realised with the greatest accuracy.

Primary thermometry is performed using a thermometer based on a well-understood physical system, for which the equation of state describing the relation between thermodynamic temperature T and other independent quantities, such as the ideal-gas law or Planck's radiation law, can be written down explicitly without unknown or significantly

temperature-dependent constants. Thermodynamic temperature can be obtained by measuring the independent quantities. Accurate thermodynamic temperature values require not only accurate measurements of the independent quantities, but also sufficient understanding of the system to enable a quantitative assessment of departures from the ideal model in order to apply appropriate corrections.

The primary thermometry methods included in this paper fulfil the following criteria, established in the *mise en pratique* of the definition of the kelvin [15]:

- A complete uncertainty budget has been approved by the Consultative Committee for Thermometry (CCT).
- The uncertainty of the realisation of the kelvin is not more than one order of magnitude larger than the state-of-the-art uncertainty achieved with primary thermometry or defined temperature scales, or the uncertainty needed by the stakeholders.
- At least two independent realisations applying the method with the necessary uncertainty exist.
- A comparison of the realisations with the results of already accepted methods has been carried out.
- The methods are applicable over temperature ranges that are acceptable for the stakeholders in metrology, science or industry.

The experimental technique necessary for applying the methods is documented in sufficient detail in the open literature so that experts in metrology can realise it independently.

In the case of the acoustic gas thermometer, the difficult density determination of the classical gas thermometer is replaced by measuring the speed of sound. Further, the density, which changes with temperature at a constant pressure, can be determined via the dielectric constant or the refractive index. If the conducting electrons of a metallic resistance are used as a ‘measuring gas’, the electrical Johnson noise according to the Nyquist formula is suited for thermometry. Laser spectroscopy provides the kinetic energy of the gas particles from the Doppler broadening of absorption lines.

3. Acoustic gas thermometer

3.1. Introduction

In acoustic gas thermometry (AGT), k is inferred from measurements of the limiting low-pressure value of the squared speed of sound u_0^2 in a monoatomic gas of molar mass M and adiabatic index γ according to [16]:

$$k = \frac{Mu_0^2}{\gamma N_A T}. \quad (1)$$

To make measurements with relative standard uncertainties at the level of $u_r \approx 10^{-6}$, all the quantities in equation (1) must be known with uncertainties at or below $u_r \approx 10^{-6}$. Below, we first look at the features of AGT, that make it especially suitable for low uncertainty measurements, and then we consider the experiments of each member of the Boltzmann collaboration, highlighting special features or achievements. Finally, we review the combined overall achievements of AGT within the Boltzmann project.

3.1.1. General features of AGT—An extensive review of AGT is given in [16]. There are four features of AGT that offer advantages over other techniques of gas thermometry for estimating k . These arise from its theoretical simplicity, the possibility for redundancy and self-checking in resonators, the simultaneous use of microwaves for the *in situ* determination of the dimensions of the resonant cavity and the availability of accurate, theoretical values of gas properties. We discuss each of these in turn below.

3.1.2. Theoretical simplicity—Perhaps the most significant feature of AGT is that there is a simple theoretical link between the speed of sound, u_0 , in a gas and the root mean square molecular speed, v_{RMS} . In the limit of low density for monatomic gases $v_{\text{RMS}} = \sqrt{9/5}u_0$. This simple relationship leads to two experimental advantages over other techniques of gas thermometry. The first is that there is no first-order dependence of the speed of sound on pressure. This arises because in the formula for the speed of sound $u = \sqrt{B/\rho}$ both the bulk modulus B and the mass density ρ depend linearly on pressure. Thus, there is no requirement to make a pressure measurement with similar fractional uncertainty to the target uncertainty in k . The second advantage is that as an intensive measurement, there is no requirement to assess the amount of gas adsorbed on the walls of a container, a significant disadvantage of constant volume gas thermometry.

3.1.3. Redundancy in resonators—A second category of experimental advantages involves the use of resonators to determine the speed of sound. In resonators of any shape, the frequencies of acoustic resonances are linearly related to the speed of sound in the medium, except for a number of relatively small correction terms, the most significant of which arises from the boundary layer near the walls of the resonator. Typically these corrections cannot be measured directly but must be calculated from first principles and the magnitude of the corrections will vary between resonances and resonators.

Any single acoustic resonance could be used to determine u , and the use of multiple modes to estimate u might appear to be simply generating redundant data. However, this redundancy of estimates of u inferred from multiple acoustic resonances is a powerful self-checking feature. If the magnitude of the first-principles corrections were misestimated, then estimates of u derived from different acoustic resonances would be expected to disagree. So the level of agreement amongst estimates of u derived from different acoustic resonances provides a robust assessment of the effectiveness of the corrections for a wide range of perturbations.

3.1.4. Combined microwave and acoustic resonators—The third category of experimental advantage—used by five of the six AGT groups—is the simultaneous use of

microwave resonances within the acoustic resonator. In effect, the resonator acts as temporary artefact that facilitates accurate determinations of the ratio $u/c = (\text{speed of sound})/(\text{speed of light})$ from measurements of ratios of acoustic resonance frequencies to microwave resonance frequencies. In this way, the speed of sound is accurately traced to the fundamental constant c without making complex, accurate dimensional measurements [17].

The combined microwave and acoustic resonator technique has been developed exquisitely in so-called quasi-spherical resonators in which the resonator is made deliberately slightly aspherical [18]. This shape perturbation is engineered to split the triply-degenerate TM_{1n} and TE_{1n} resonances into three singlet resonances each of which reflects the average radius in one of three orthogonal directions. If the perturbation, which creates this splitting, is a smooth well-characterized distortion such as that arising in a triaxial ellipsoid, the correction to acoustic and microwave eigenvalues can be calculated to second-order or higher [19–21]. This has allowed *in situ* measurement of the resonator's dimensions with uncertainties on the order of 2 parts in 10^7 [22].

3.1.5. Theoretical values of the thermophysical properties—Progress in AGT stimulated calculations of the properties of gaseous helium from the basic principles of quantum mechanics and statistical mechanics. At low densities, the calculated values of the thermal conductivity and the real-gas corrections to the speed of sound are more accurate than the measured values. Therefore, the calculated values are used to correct the acoustic frequencies and to constrain or eliminate the extrapolation to zero pressure. For AGT using argon, values of the thermal conductivity traceable to theory are used in a similar way [23]. For dielectric-constant gas thermometry (DCGT), theory-based property values [24] have been very good indicators for the quality of data, but due to the extrapolation to zero pressure, the real-gas properties are not needed. (If constant-volume gas thermometry were conducted today, it too would benefit from theory-based virial coefficients for the real gas.)

3.2. Differences in implementations

Despite the use of a shared technique, the implementations of AGT for the determination of k have been significantly different (table 1). Thus, collectively, many of the possible unanticipated systematic biases have been shown to have been correctly accounted for.

3.2.1. NIST—Although not part of the project [10], we mention the NIST measurement of k [6] of 1988 because of the seminal nature of the work. They estimated k using argon gas in a spherical 3 l stainless steel resonator the volume of which was estimated by mercury pycnometry. The switch to using spherical rather than cylindrical resonators required substantial development of the theory describing the operation of such resonators in real world situations, most specifically, the interaction of the acoustic modes with the mechanical ‘shell’ vibrations [30], and the effect of small perturbations to the main acoustic resonances [31, 32]. These works formed the foundation on which AGT in the Boltzmann collaboration was built.

3.2.2. INRiM—The INRiM measurement of 2015 [25] was carried out using helium gas in a 3 l, diamond turned spherical copper resonator in which the hemispheres had been

marginally misaligned. This misalignment has been shown to create an effective ellipsoid to allow the estimation of the volume of the resonator by microwaves. The high electrical conductivity of the copper meant that a displacement of the hemispheres by only 15 μm was sufficient to allow good microwave measurements while producing only a very small additional acoustic perturbation.

The use of helium has advantages and disadvantages. The most significant advantage is that the thermophysical and electromagnetic properties of helium can be calculated with an uncertainty much lower than the uncertainty, with which the properties of any other gas can be calculated or measured. However, the most critical disadvantage is that the speed of sound in helium is more sensitive to the presence of other gas species, chemical or isotopic. A key improvement of this work involved an assessment of isotopic contamination by ^3He , and a cross-check of the estimate of helium impurities was made by using the mass spectrometry facilities at PTB. Finally, an overall relative standard uncertainty of $u_r = 1.06 \times 10^{-6}$ was achieved.

3.2.3. LNE-CNAM—The LNE-CNAM measurement of 2017 [26] was carried out using helium gas in a 3 l, diamond-turned quasi-spherical resonator (figure 2) and has the lowest uncertainty in the determination of k . It thus represents the culmination of three decades of work that sprang from the original NIST 1988 measurement [6]. The low uncertainty was achieved by exceptional implementation of these decades of research, coupled with techniques for establishing the purity of the helium with unprecedentedly low uncertainty.

The isotopic purity was established by collaborative mass-spectrometer studies, and the chemical purity was established *in situ* using a double helium cold trap experiment. These two steps allowed the full realisation of the potential for uncertainty reduction resulting from the ability to perform *ab initio* calculations of the thermophysical properties of helium. Overall the final result had a relative standard uncertainty of 0.60×10^{-6} , and significantly the result was in good agreement with the previous estimates made using argon [33] and helium [34, 35] in a 0.5 l quasi-sphere. Combining all results yielded a further reduction in the institutional uncertainty estimate of k to $u_r = 0.56 \times 10^{-6}$ [26].

3.2.4. NIM—The NIM result of 2017 [27] was based on measurements using argon gas in a series of cylindrical resonators 80 mm in diameter, made either entirely from copper [27], or from steel cylinders with quartz endplates [36–38]. The spectrum of acoustic resonances in cylinders is distinctly different from that in spheres and quasi-spheres, and the dissipation of acoustic energy also has a quite distinct character. Together these features make acoustic measurements in cylinders more challenging than those in spheres. However, they also test the underlying theory for possible systematic effects more thoroughly.

Another significant difference in the NIM measurements compared to the project [10] participants was the use of transparent quartz endplates which allowed determination of the length of the cavity by two colour optical interferometry (figure 3) [36]. Additionally, the NIM team used piezoelectric transducers to couple sound into and out of the resonators [38]. The complex end-plate design led to a novel scheme, which evaluated the perturbations caused by the end plates by using pairs of cylinders, which differ in length by a factor two.

In such cylinder pairs, major perturbations caused by the quartz end plates can be more clearly identified. In practice an undesired resonant coupling between the two cavities or the pressure vessel limited the performance of the experiment [39] and the relative standard uncertainties achieved were 7.86×10^{-6} , 3.35×10^{-6} , 3.82×10^{-6} and 3.36×10^{-6} , respectively.

In their final measurements, NIM used a single-cylinder made of diamond-turned copper with copper end plates [27], which yielded an estimate of k with an uncertainty of 4.22×10^{-6} . The NIM team then established a weighted mean of all their determinations with a relative standard uncertainty of 2.0×10^{-6} considering carefully the correlations of various components of uncertainty.

3.2.5. NPL-Cranfield—The NPL measurement of k in 2013 [28] was made using argon gas in the NPL-Cranfield resonator, a 1 l, diamond-turned quasi-spherical resonator. The exceptional shape-fidelity of the resonator led to exceptionally close agreement between the value of k inferred from different acoustic modes, and exceptional agreement between the radius inferred from different microwave modes. This agreement was checked for systematic errors by auxiliary studies involving co-ordinate measuring machines [40] and pyknometry of diamond-turned quasi-spherical resonators with water [41]. Additionally, the degree of acoustic perfection led to the discovery of a line-narrowing effect in the resonances [42] that had been independently discovered by the INRiM group [112]. The novel data analysis [28, 43] allowed the identification of anomalous modes that might have subtly affected the inference of k .

However, the initial published value was later shown to contain an erroneous estimate of the molar mass of argon. This was identified in a multi-institution study of argon samples involving acoustic measurements at LNE-CNAM, and mass spectroscopic measurements at the Korea Research Institute of Standards and Science (KRISS) [44]. This led first to a correction with an enlarged uncertainty [45] and, finally, to a study which identified the source of the error as contamination of the argon gas by atmospheric air. In 2017 a final revised estimate with a relative standard uncertainty of 0.70×10^{-6} was published [46].

3.2.6. CEM and University of Valladolid—The 2017 measurement by Universidad de Valladolid (UVa) in collaboration with CEM used argon gas in a gold-coated stainless steel, quasi-spherical resonator with a radius of 40 mm [29]. Several features of the measurement were unique within the project [10]. In particular, the use of a sealed resonator which was fully pressurized during measurements, and novel solid-dielectric capacitance transducers. Initial measurements in an uncoated misaligned resonator led to a larger measurement uncertainty of 20×10^{-6} [47] due to the high resistivity of stainless steel and the simple shape of the resonator. But using a quasi-spherical gold-coated resonator, the same measurement system could achieve a relative standard uncertainty of 6.7×10^{-6} [29].

3.3. Overall results

Table 2 shows the final measurement uncertainty achieved by the different groups categorized by the different limiting uncertainties. By averaging different measurements and taking account of the components of the measurements which are correlated, it is possible to

reduce the uncertainty further, but the table shows only the best uncertainty in a single measurement. Let us consider each component of uncertainty in turn.

For temperature, it appears that the limiting uncertainty in the realisation of the triple point of water has an estimated standard uncertainty of approximately $u_T \approx 0.4 \times 10^{-6}$. Given that the combined standard uncertainty of the adjusted value of k is $u_T = 0.37 \times 10^{-6}$, we can be assured that the redefinition of the kelvin will add no significant uncertainty to any practical temperature measurement, even those made close to the temperature of the triple point of water.

Regarding the molar mass of the gas, it appears that for argon, the limiting uncertainty is approximately $u_T \approx 0.4 \times 10^{-6}$. This limit arises from the requirement to reference the gravimetric isotope mixtures made by Lee *et al*, see [44]. However, the outstanding achievement of the project was the uncertainty of $u_T \approx 0.09 \times 10^{-6}$ achieved by Pitre *et al* [26] in the determination of the helium molar mass by the use of precision mass spectrometry and the implementation of verifiable cold-trap techniques.

Regarding measurements of the dimensions of the resonator, the microwave spectroscopy technique seems to be superior to the two-colour interferometry approach only usable for cylindrical resonators. In general, the lowest uncertainty achieved was $u_T \approx 0.2 \times 10^{-6}$ by the team at LNE-CNAM [26].

Overall, the techniques developed in the project have advanced the state of the art considerably, and each group has extended the operating envelope of acoustic thermometry in a different way. In the near future, many of the techniques and facilities developed will be likely be applied to other fundamental measurements in the fields of gas purity, humidity, thermodynamic temperature and dimensional measurements.

4. Dielectric-constant gas thermometer

4.1. The experiment

The basic idea of DCGT is to replace the density in the state equation of a gas by the dielectric constant and to measure it by the capacitance changes of a capacitor filled with the gas (see figure 4). If the gas particles do not interact (ideal gas), the working equation can be simply derived by combining the classical ideal-gas law and the Clausius-Mossotti equation [48]. The determination of the Boltzmann constant k by DCGT is based on measuring the pressure dependence of the capacitance of the capacitor, containing the measuring gas helium, at a constant known thermodynamic temperature T , i.e. on measuring isotherms. To achieve the smallest uncertainty, the measurements have to be performed at the TPW, the temperature of which is known by definition. The data pairs of pressure and relative capacitance change are fitted by applying a virial expansion, which considers the interaction of the atoms of the real helium gas and includes thermodynamic temperature as one of the parameters. In particular, the fitting coefficient of the first, linear term, which describes the ideal-gas behaviour, is given by $A_1 = (A_e/RT + \kappa_{\text{eff}}/3)^{-1}$, where A_e is the molar polarizability and R is the molar gas constant. κ_{eff} denotes the effective compressibility of the capacitor, which describes the change of the capacitance only due to the mechanical

deformation caused by the measuring gas. T is the temperature of the TPW, and κ_{eff} is calculated from the materials parameters of the capacitor. Then, the ratio A_e/R of two molar quantities is deduced from A_1 to determine k applying the relation

$$k = \frac{\alpha_0}{3\epsilon_0} / \frac{A_e}{R} \quad (2)$$

where ϵ_0 is the fixed electrical constant. The atomic dipole polarizability $\alpha_0 = 2.281\,513\,31(23) \times 10^{-41} \text{ C m}^2 \text{ V}^{-1}$ in SI units is calculated *ab initio* with a relative standard uncertainty of 0.1 parts per million (0.1 ppm) [49], where A_e is defined as $A_e = N_A \alpha_0 / (3\epsilon_0)$, with N_A being the Avogadro constant.

The measurement of the Boltzmann constant by DCGT requires the determination the temperature of the gas, and thus of the capacitor electrodes, traceably to the temperature of the TPW with a standard uncertainty of order 0.1 mK. To obtain a thermal environment of sufficient quality, a three-level arrangement has been realised in the DCGT experimental setup of PTB. Each capacitor is surrounded by a rigid, metallic pressure vessel, which is thermally anchored to the 30 mm thick central copper plate of the measuring system. The temperature of the plate is measured with the aid of three capsule- type standard platinum resistance thermometers, which have been calibrated at the triple points of mercury and water as well as at the melting point of gallium. Besides the central plate, which is located at the bottom and acts as heat sink, the system consists of a top plate, four thick rods connecting the two plates and an isothermal shield, all made from copper. The capacitors in the pressure vessels are, therefore, completely surrounded by an isothermal copper shell. In turn, the measuring system is placed within a vacuum chamber for thermal isolation. Finally, the chamber is inserted in a huge liquid-bath thermostat. The thermal conditions within the experimental setup have been investigated in detail as described in previous papers [50, 51]. A photograph and a detailed design drawing of the measuring system are given in [50].

The liquid-bath thermostat has an overall volume of the liquid of about 800 l and a central working volume, in which the vacuum chamber is located, with a diameter of 500 mm and a height of 650 mm. The temperature stability and the temperature field at the boundary of the working volume without and with the chamber have been investigated carefully under different experimental conditions. It could be verified that, under optimum conditions, both the instability and the inhomogeneity of the temperature in the working volume are well below 1 mK, as is necessary [51].

4.2. The capacitors

The design of the cylindrical measuring capacitor and the material was critical. The use of tungsten carbide (TC) as material for the electrodes and the bed-plate, on which the electrodes are mounted, led to the final design described in detail in [52]. TC has a compressibility that is about a factor of two smaller than that of stainless steel, which was used previously [53]. This led to a reduction of the uncertainty component caused by the effective compressibility κ_{eff} , describing both the change of the capacitance due to the

deformation and the relative displacement of the capacitor electrodes under pressure p . In principle, it is also influenced by the change of stray capacitances caused by the deformation of all pieces within the pressure vessel and the vessel itself, but this influence is negligible for the capacitor design discussed in [52].

The capacitance of an ideal cylindrical capacitor is given by $C_{\text{cyl}} = 2\pi\epsilon l / \ln(d_o/d_i)$ with ϵ being the dielectric constant, l the electrode length, d_o the inner diameter of the outer electrode, and d_i the outer diameter of the inner electrode. Thus, only the relative change $l(p)/l(p=0)$ of l is relevant for the capacitance change under pressure, i.e. κ_{eff} is about one third of the volume compressibility κ_{vol} of the electrode material, which is the inverse of the bulk modulus. This elastic property can be determined with resonant ultrasound spectroscopy (RUS) [54, 55], which uses normal-mode resonance frequencies of free vibration as well as data on the shape and the mass of the sample. But it has to be considered that the compressibility measured by RUS is the adiabatic one, whereas for the DCGT the isothermal compressibility is needed. For the conversion from the adiabatic value κ_{ad} to the isothermal one κ_{iso} , Grüneisen has derived the relation $\kappa_{\text{iso}} = \kappa_{\text{ad}} + TV_m \alpha_V^2 / C_p$ [56], with the molar volume V_m , the thermal-expansion coefficient α_V and the molar specific heat capacity C_p at constant pressure.

Besides deformation and relative displacement, the effective compressibility may also be influenced by the eccentricity and the tilt of the capacitor electrodes. Furthermore, in reality a rigid capacitor is a complicated geometrical object because electrically isolating pieces and stabilizing screws are necessary. Thus, the isothermal compressibility of a composite has to be determined. Using tungsten carbide electrodes and sapphire isolating discs for the construction design described in [52], relative standard uncertainties of κ_{eff} ranging from 0.05% to 0.17% were achieved at the TPW. This was possible by checking the mounting of the electrodes applying a coordinate measuring machine and performing simulations with the finite-element method regarding the influences of the relative displacement of the electrodes and stray capacitances (for details see [52]).

Considering the extreme demands concerning the measurement of capacitance changes, a high-resolution and high-precision autotransformer ratio capacitance bridge has been built and tested. Its main component is a home-made high-precision inductive voltage divider used in an autotransformer configuration. For balancing the bridge, adjustable in-phase and quadrature currents can be injected. A detailed uncertainty budget for measuring small capacitance changes is presented in [57]. Considering correlations between main terms in the mathematical model, it has been shown that it is possible to measure capacitance changes of at most a few 0.1% with a relative standard uncertainty below one part per million, i.e. with a standard uncertainty relative to the capacitance value of order one part per billion. The performed consideration of correlations requires that the measuring circuit is fully symmetric. For this reason, the reference capacitor is also located in the measuring system within the vacuum chamber.

4.3. Results

The determination of the Boltzmann constant at the TPW using helium places extreme requirements on the purity of the measuring gas. To prevent contamination of the helium of nominal purity of 99.999 99% during handling, a gas purifier (adsorber) and a helium purifier (getter) have been incorporated in the ultra-high-purity gas-handling system. After each measurement of an isotherm, which lasted usually one week, the measuring gas was analysed with the aid of a mass spectrometer to check for a possible contamination especially due to outgassing from the different pieces inside the pressure vessel. This led to an upper limit for the influence of impurities on the result for k . The maximum relative change of the result cannot be more than 1 ppm.

To achieve sufficiently detectable capacitance changes by the measuring gas helium, pressures up to 7 MPa had to be measured with a relative standard uncertainty of order 1 ppm. This goal was a further challenge because it required characterisation of pressure balances with unprecedented accuracy, and even to improve the national standard of PTB significantly. For absolute pressure measurements in helium up to 7 MPa, a system of special pressure balances was designed, constructed and evaluated. The system includes two pressure-balance platforms, three piston-cylinder units (PCUs) with effective areas of 20 cm², and three PCUs of 2 cm². Traceability to the SI base units up to 7 MPa was realised in two steps. First, the zero pressure effective areas of the 20 cm² PCUs have been determined from dimensional measurements. Second, the 2 cm² PCUs have been calibrated against the 20 cm² PCUs by comprehensive cross-float comparisons [58].

In 2013, a second, improved value of the Boltzmann constant k determined by DCGT at the TPW ($k = 1.380\,6509 \times 10^{-23} \text{ J K}^{-1}$, relative standard uncertainty 4.3 ppm) [60] was published. Compared with the first DCGT result [53], the uncertainty has been decreased by more than a factor two, see figure 5. Afterwards the uncertainty was reduced further to 4.0 ppm [48] by reanalysing the pressure measurement [58]. Since 2013, based on a huge amount of data, two new values of the Boltzmann constant k have been obtained by DCGT applying two different highly-stable tungsten-carbide capacitors. The most recent results have been combined with the value published in 2013 [60]. After all correlations have been considered, the final result is $k = 1.380\,6482 \times 10^{-23} \text{ J K}^{-1}$ with a relative standard uncertainty of 1.9 ppm [52]. The reduction of the uncertainty of the final result by a further factor two compared with the result published in 2013 has been mainly achieved by three advances: (i) improvement of the mounting of the capacitor electrodes and attenuation of the influence of stray fields by additional shielding, which led to a better stability and thus a smaller Type A uncertainty component for the two new capacitors; (ii) determination of the individual adiabatic compressibility of the electrodes from the carefully analysed density dependence, which resulted in an essentially smaller uncertainty of the effective compressibility especially for one of these capacitors; (iii) inclusion of many more experimental results by combining the data obtained for three different capacitors in two measurement campaigns.

5. Johnson noise thermometer

5.1. Introduction

Johnson noise thermometers (JNT) determine the thermodynamic temperature from measurements of the fluctuating voltage or current noise caused by the thermal motion of electrons that occurs in all electrical conductors [61, 62]. For temperatures near 300 K and frequencies below 10 MHz, the mean-square voltage of Johnson noise is described by Nyquist's law with a relative error of less than 1×10^{-9} ,

$$\overline{V_T^2} = 4kTR\Delta f, \quad (3)$$

where R is the resistance of the sensor, and f is the bandwidth over which the noise is measured [63, 64]. In principle, k can be determined directly by measuring the fluctuating voltage across a sensing resistor at the temperature of the TPW, upon which the temperature unit, kelvin, is presently defined. However, the measurement is extremely challenging because the noise voltage is small ($\sim 1.2 \text{ nV Hz}^{-1}$), random, and must be measured over very wide bandwidths for very long periods.

Noise thermometers used for metrological applications are all based on the switching correlator design pioneered by Brixy [65, 66]. The design incorporates several features essential for a high-accuracy measurement; the correlator eliminates the uncorrelated noise from the preamplifiers and lead-wires, frequent switching between the measured noise source and a reference noise source eliminates the effects of drifts in the gain and frequency response of the thermometer, and the correlator has a natural four-wire definition of the sensing resistance. Digital versions of the thermometer, with the analogue multiplier replaced by analogue-to-digital converters (ADC) and software multiplication, have the additional benefits of greater accuracy, frequency domain processing with digital definition of the bandwidth, and compact data storage in the form of averaged power spectra [65, 67]. Frequency domain processing also enables several useful diagnostic measurements, including detection of some forms of electromagnetic interference (EMI) [67].

The most significant recent breakthrough was the development, by NIST, of the 'quantum accurate voltage noise source (QVNS)' [68–73]. The QVNS provides the means to calibrate the gain and frequency response of the JNT, match the noise powers from the two noise sources to eliminate nonlinearity effects, and to match the source impedances of the two noise sources enabling significant increases in bandwidth. The QVNS also simplifies measurements of the non-linearity of the thermometer and its sensitivity to EMI [73–79]. The improvements accompanying the introduction of the QVNS have also made it practical to measure the Boltzmann constant, k . Figure 6 shows a simplified schematic diagram of the QVNS-JNT. If the amplitudes of the thermal noise voltage and the QVNS voltage are respectively traceable to the quantum Hall effect and the Josephson effect, and the thermal noise source is held at the TPW, the QVNS-JNT measures the ratio of k/h , where h is the Planck constant. The value of k is then determined with practically the same relative

uncertainty because the CODATA recommended value of h has much lower relative uncertainty [77].

In 2011, NIST reported the first practical electronic measurement of the Boltzmann constant, $k = 1.380\,651 \times 10^{-23} \text{ J K}^{-1}$, which was made by comparing the noise of a $100 \text{ } \Omega$ thermal sensor at the TPW with the pseudo-random noise synthesized by a QVNS [77]. The 12.1×10^{-6} combined relative standard uncertainty of this measurement was dominated by two terms: the statistical uncertainty due to the randomness of the noise and a Type B uncertainty related to variations in the frequency dependence of the ratio of the power spectra for the two noise sources. Since then, NIM and NIST have collaborated to develop an additional QVNS-JNT system at NIM to demonstrate the reproducibility of the QVNS-JNT method and to pursue a low uncertainty k determination. The NIM noise thermometer is similar to the design pioneered by NIST [70–79], but with some variations and improvements [80–82]. Most significantly, the system was located in an underground shielded room to reduce EMI. Trimming resistors, capacitors and inductors were inserted in the connecting leads to better match the power spectra of the thermal and QVNS signals. In 2015, by comparing the thermal voltage noise generated by a $200 \text{ } \Omega$ resistor immersed in a TPW cell to a QVNS synthesized pseudo-noise voltage, NIM made a determination of $k = 1.380\,6513 \times 10^{-23} \text{ J K}^{-1}$ with a combined relative standard uncertainty of 3.9×10^{-6} [82]. Again, the dominant contributions to the uncertainty are from the statistical uncertainty and spectral mismatch effects.

5.2. Frequency response mismatch

The major challenge limiting the measurement uncertainty in all recent JNT measurements arises from the different sets of leads connecting the thermal noise source and the QVNS to the correlator. Since the connecting leads of the two sources are inherently different, it is difficult to match the measured power spectra of the two ideally-white noise signals. Additionally, the two noise sources respond differently to noise currents originating in the preamplifiers and lead-wires, leading to an error that increases with the frequency squared. Any frequency-response mismatch in the sets of lead wires causes a bias in the measurement that rapidly increases with frequency, and therefore limits the bandwidth and the statistical uncertainty. While it is practical to correct the spectral mismatch bias, the correction is accompanied by a significant increase in the statistical component of uncertainty and there is always some remaining uncertainty due to the imperfection of the model. Whatever model is chosen, the statistical uncertainty decreases with increasing bandwidth, while the systematic uncertainty due to the spectral mismatch increases. More investigations are required to decrease the latter uncertainty.

Both NIST and NIM used even-order polynomial functions to model the ratio of the power spectra based on low-frequency filter theory [77, 82]. Physically, the frequency response of the connecting leads can be described by a full transmission-line model, however, for the low frequencies and short lead lengths used in the JNT, time delays can be neglected and a lumped-parameter model is sufficient. Numerical simulations show that the lumped-element model is indistinguishable from a full transmission-line model at frequencies below 1 MHz [83]. In the 2011 Boltzmann constant determination at NIST, the measured ratio of the noise

power spectra was fitted with a two-parameter model to correct any effects with a square-law dependence on frequency [77]. In the 2015 determination at NIM, the model was expanded to include more terms to eliminate higher-order mismatch effects [82]. The inclusion of additional terms in the data analysis model has the effect of increasing the statistical variance in the measurement, approximately linearly with model order, while rejecting mismatch effects of the selected order. Hence, there is a bias-variance compromise between model complexity and measurement bandwidth that achieves the minimum uncertainty.

To select the optimum order of the model and the bandwidth, Coakley and Qu developed a data-driven statistical learning method using cross-validation to optimize the bias-variance compromise [84]. In cross-validation, the observed data is split into training and validation subsets, with candidate models fitted to the training data and tested to identify the model that is most consistent with validation data. This evaluation is repeated with a large number of randomised splits of the training and validation data, to determine selection fractions for each model. Based on the selection fractions, the cross-validation algorithm calculates an uncertainty of the determined k that accounts for both random effects due to the measurement of noise and systematic effects associated with imperfect knowledge of the model. The process is also repeated for different bandwidths to select the thermometer bandwidth that minimizes the total uncertainty. The cross-validation algorithm has an important feature of producing an objective estimate of the uncertainty due to the connecting-lead mismatch effects. The method was first demonstrated with the analysis of the NIM 2015 data [84].

With the 2017 measurement at NIM, additional physical modelling of the connecting leads between noise sources and the correlator was carried out [83]. A term-by-term comparison of the transfer functions indicates that to get the same frequency response for the two noise signals, the connecting leads for the thermal and QVNS noise sources should ideally be identical, and the resistors on each of the QVNS output lead should be of the same resistance as that of the thermal sensor. Furthermore, the analysis indicates that trimming components placed in the wrong place might create complex spectral features that could not be fitted well by low-order models. Another difficulty was the changing inductance of the leads with temperature and frequency, which made the close match of the leads problematic. These effects were eventually traced to the skin effect [84].

Several changes were made to the NIM noise thermometer to reduce frequency-response-mismatch effects [85]. Firstly, the connecting leads between the noise sources and the measurement circuits used a coaxial arrangement to better define the inductance and capacitance of the leads. Secondly, to minimise the effects of different temperatures on the cable impedances, very thin coaxial cable with solid beryllium-copper conductors and foam dielectric was used. Thirdly, better matching of the frequency response for the two noise sources was achieved by using identical length coaxial cables. No additional trimming inductors or capacitors were used. The sensing resistance was also reduced from 200 Ω to 100 Ω to improve the impedance match with the 50 Ω cables and to further flatten the frequency response. Possible effects due to noise currents induced by the dielectric loss in

stray capacitance associated with the switch and preamplifier were substantially reduced by replacing the fiberglass printed circuit boards (PCBs) with Teflon composite PCBs.

5.3. Latest measurements

With the improved JNT system, NIM performed a new measurement of k in 2017 [85]. Although the bandwidths did not increase compared to the 2015 measurement, the results of analyses with the different order models are much more consistent with each other, as shown in figure 7, yielding a significant reduction in the uncertainty due to spectral mismatch. Combined with reduced statistical uncertainty due to a longer integration period of 100 d, the new measurement achieved an improved determination of $k = 1.380\,6497 \times 10^{-23} \text{ J K}^{-1}$ with a relative standard uncertainty of 2.7×10^{-6} . The combined relative uncertainty of less than 3×10^{-6} met the CCT's second requirement for proceeding with the redefinition of the kelvin [2, 86].

NIST also performed a new determination of k in 2017 [87]. The differences between the new NIST measurement and the other measurements are the value of the sense resistor as well as both the circuit and procedure used to match the transfer functions. The sense resistance was increased from 100Ω to 200Ω to increase the signal-to-noise ratio. Most importantly, NIST used trimming components and a multi-step procedure to tune the electrical circuit and reduce the frequency dependence of the ratio of the power spectra for all frequencies up to 1 MHz. An additional switchboard was used to dynamically adjust the grounding conditions. Compared to earlier NIST measurements, the shielding was dramatically improved to reduce EMI. With this significantly modified system, NIST reported the determination of $k = 1.380\,6429 \times 10^{-23} \text{ J K}^{-1}$ with a relative combined standard uncertainty of 5.0×10^{-6} from 50 days of accumulated data.

The National Measurement Institute of Japan (NMIJ/AIST) has also been developing a JNT, with the same basic principles as the NIST system [88]. A key distinguishing feature is the integrated quantum voltage noise source (IQVNS), which is a conventional shift-register based pseudo-random number generator but fully implemented with superconducting integrated circuits. The driving method for the Josephson junction array differs from that of either NIST or NIM. Also, rather than using cross validation to optimise the model selection and bandwidth, NMIJ adopted the Akaike information criterion to select the lower- and the upper-cut-off frequencies for use with a quadratic spectral-correction model. With about 5 days accumulated data, the final result is $k = 1.380\,643\,6 \times 10^{-23} \text{ J K}^{-1}$ with a relative combined standard uncertainty of 10.2×10^{-6} .

6. Doppler broadening thermometer

The Doppler broadening technique (DBT) was first proposed in 2002 [89]. A molecular (or atomic) absorption line of a gas at thermodynamic equilibrium exhibits a Doppler broadened profile which reflects the Maxwell–Boltzmann velocity distribution of gas particles. In conjunction with some highly accurate modeling of the line profile, it is possible to use the data to retrieve the e-fold half-Doppler width ν_D , whose relation to k is given by:

$$k = \frac{mc^2}{2T} \left(\frac{\Delta\nu_D}{\nu_0} \right)^2 \quad (4)$$

where ν_0 is the central frequency of the molecular line, c is the speed of light, T is the temperature of the gas and m its molecular mass. Thus, DBT consists of accurately and simultaneously measuring the temperature and line shape. k is then calculated from equation (4).

In order to extract the Doppler component of the width, the measured line shape is fitted to a physical model. The choice of model is critical and is an intricate problem. The absorption line shape of a single rovibrational molecular line is dominated at very low pressure by the inhomogeneous Doppler broadening and is a simple Gaussian profile. In practice however, collisions induce both an additional broadening and a shift. The overall line shape is then a Voigt profile (VP), i.e. the convolution of the above mentioned Gaussian profile with a Lorentzian profile. The line shape can be further refined by taking into account speed-dependent and Lamb–Dicke–Mössbauer narrowing effects. Depending on the assumption made for molecular collisions (hard or soft collisions), adding these contributions to the VP leads to different profiles.

6.1. Results obtained at Laboratoire de Physique des Lasers

At the Laboratoire de Physique des Lasers (LPL), the DBT was used to measure k by carrying out laser spectroscopy of an ammonia rovibrational line at $10.35 \mu\text{m}$ [90]. The absorption line probed is the ν_2 saQ(6,3) rovibrational line of the $^{14}\text{NH}_3$ ammonia molecule of frequency $\nu = 289\,536\,93.9(1)$ MHz. This well-isolated transition has been chosen to avoid any deformation of the profile due to line mixing with neighbouring lines. Owing to the non-zero spin values of the nitrogen and hydrogen nuclei, an unresolved hyperfine structure is present in the Doppler profile. This hyperfine structure has been recorded by saturation spectroscopy to determine the induced broadening of the absorption linewidth, recorded in linear absorption, and its impact on the Doppler width measurement [91].

The experimental setup is shown in figure 8. The laser source, a frequency stabilized CO_2 laser emitting around $10 \mu\text{m}$, exhibits a spectral width smaller than 10 Hz and a frequency stability of 0.1 Hz for a 100 s integration time [92]. The CO_2 laser source is coupled to a microwave (MW) electro-optic modulator (EOM) which generates tuneable sidebands from 8 GHz to 18 GHz on both sides of the fixed laser frequency. After the MW EOM, a grid polarizer and a Fabry–Perot cavity (FPC) are used to filter out the residual carrier and the unwanted sideband. The FPC is also used to stabilize the intensity of the transmitted reference beam (A). The probe beam (B) feeds an ammonia absorption cell for spectroscopy. The absorption length of the cell can be adjusted from 37 cm in a single pass configuration to 3.5 m in a multi-pass configuration. For noise filtering, both reference (A) and probe (B) beams are amplitude-modulated at $f = 40$ kHz via the (8–18) GHz EOM and then demodulated with a lock-in amplifier. The sideband is tuned close to the molecular resonance and scanned to record the absorption profile. This experiment requires the

molecular gas to be maintained at a constant and homogeneous temperature. The absorption cell is placed inside a copper thermal shield which is itself inside a stainless steel enclosure immersed in a thermostat filled with an ice-water mixture which stabilizes the temperature close to 273.15 K. The temperature is measured with glass capsule-type standard platinum resistance thermometers placed on the absorption cell. The thermostat and temperature chain, and their performance, are described in detail in [93, 94].

In 2007, LPL in collaboration with LNE-CNAM under-took a first proof-of-principle experiment. k was determined with a combined relative uncertainty of 190×10^{-6} leading to $k = 1.380\,65 \times 10^{-23} \text{ J K}^{-1}$ [90]. At that time, the spectral analysis was performed using a simple Gaussian profile. In the last decade, major technical improvements and upgrades of the spectrometer have been accompanied by an increasingly refined interpolation of the experimental profiles [95, 96]. At present, the most accurate value for the Boltzmann constant that can be deduced from the DBT at LPL is $k = 1.380\,704 \times 10^{-23} \text{ J K}^{-1}$ showing a combined uncertainty of 50 ppm [91]. This result has been confirmed after a complete analysis of the line shape considering a speed-dependent hard-collision model (and establishing for the first time the speed dependent Galatry profile as the profile of choice for the NH_3 line considered in our pressure range) including hyperfine structure and detection-bandwidth-induced line shape distortions [96, 97].

Recently, the LPL has developed a new spectrometer based on a widely tunable quantum cascade laser [98]. As a result of the higher available intensity and the potentially lower amplitude noise of quantum cascade lasers, a large reduction in the time needed to record absorption spectra is expected. Furthermore, the increased intensity range available allows power-related systematic effects to be studied for the first time. In particular, it has allowed the first evaluation of the saturation parameter of the probed transition and its impact on the determination of k [97]. Finally, by investigating and improving the control over a variety of systematic effects (those mentioned above and others), it has been demonstrated that in theory a measurement of k at a 2.3 ppm accuracy level is reachable using the DBT on ammonia [97].

6.2. Results obtained at Università degli Studi della Campania

Doppler broadening thermometry has been implemented at Università degli Studi della Campania ‘Luigi Vanvitelli’ (formerly, Seconda Università degli Studi di Napoli) for roughly one decade, in cooperation with INRiM. So far, three molecular targets have been employed: CO_2 , H_2^{18}O and C_2H_2 [99]. Three generations of spectrometer have been designed and implemented, with increasing complexity. The main difference, as compared to the French experiments, consists in the choice of the wavelength region. In particular, the near-infrared (NIR) region has been preferred because of the excellent performance of indium–gallium–arsenide (InGaAs) detectors, in terms of linearity of the response and noise level.

There were two spectroscopic determinations of the Boltzmann constant, namely $1.380\,58(22) \times 10^{-23} \text{ J K}^{-1}$ and $1.380\,631(33) \times 10^{-23} \text{ J K}^{-1}$. The former was obtained as a result of a proof-of-principle experiment, by means of an absorption spectrometer based on an extended-cavity diode laser at $2 \mu\text{m}$ wavelength to interrogate a vibration–rotation transition

of carbon dioxide [100]. More particularly, the shape of the well isolated R(12) component of the $\nu_1 + 2\nu_2^0 + \nu_3$ band was probed at different temperatures, between the triple point of water and the gallium melting point.

The latter resulted from a dual-laser water spectrometer operating at 1.39 μm [101] and it is still the most accurate determination ever performed by means of an optical method, the combined relative uncertainty being 24 parts in 10^6 . The complete uncertainty budget was first illustrated in [102] and then further refined in [103], while hyperfine structure effects arising from the nuclear spin of the two hydrogen atoms have been discussed and quantified only recently [104]. The major sources of uncertainty are due to: (i) the statistical fluctuation of the data points arising from individual fits of repeated spectra; (ii) the spectral purity of the probe laser; (iii) the line shape model.

In the first determination, the spectral analysis was performed by using a Voigt profile. In fact, even in the Doppler regime, the absorption profile is perturbed by binary collisions that lead to an additional broadening of the spectral line. Nevertheless, depending on the experimental precision, narrowing effects can be observed, typically due to the joint occurrence of two phenomena: the speed dependence of collision relaxation rates and the averaging effect of velocity-changing collisions. These effects have been carefully considered in the second-generation experiment, by adopting a very sophisticated line shape model, known as partially correlated speed-dependent hard-collision model.

Very recently, a third-generation experiment has been performed, implementing several technical upgrades to the water spectrometer and adopting a new molecular target, namely, acetylene (C_2H_2), which shows interesting absorption features at 1.39 μm [105, 106]. This choice offers some important advantages, as compared to water, C_2H_2 being a non-polar and linear molecule. A sketch of the new spectrometer is illustrated in figure 9. Doppler width retrieval from line fitting is also improved significantly. Differently from previous works, in which individual fits were performed, a global analysis approach has been implemented and applied to simultaneously fit a manifold of experimental profiles (acquired at the same temperature) across a given range of pressures, sharing a restricted number of unknown parameters, including the Doppler width. As explained elsewhere [107], the global analysis reduces the uncertainty associated to the line shape model as well as the fluctuations resulting from statistical correlations among free parameters. Recent results demonstrate that low uncertainty determinations are possible. The main limitation of this latter experiment is the signal-to-noise ratio in the spectral acquisitions. The isothermal cell consists in a spherical, Herriott-type, multiple reflection cell with a maximum path-length of 12 m. The use of a long-path technique has been one of the novelties with respect to the previous experiments. It has been necessary to compensate for the small line intensities of acetylene at 1.39 μm . The partial overlapping of the reflected beams inside the cell gives rise to interference fringes that perturb the absorption spectra. This limitation, which can be overcome with a few technical expedients to be implemented on the cell itself, has prevented the Italian team to improve the spectroscopic determination of the Boltzmann constant. Nevertheless, the perspective of improving DBT so as to make possible temperature

determinations with an uncertainty level around 10 parts per million is concrete and feasible in the near future.

7. Consequences of the redefinition

The current definition of the kelvin, valid since 1954, defines the temperature unit kelvin via a material property of a special substance. The kelvin is the 273.16th part of the thermodynamic temperature of the triple point of water [108]. Thus, influences of the isotope composition and the purity of the water used are of critical importance for their practical realisation. Thereby, the long-term stability is jeopardized over space and time. By determining the Boltzmann constant, this defect is remedied.

The new definition of the kelvin based on the methods described above will be as follows [109]: The kelvin, symbol K, is the SI unit of thermodynamic temperature. It is defined by taking the fixed numerical value of the Boltzmann constant k to be $1.380\,649 \times 10^{-23}$ when expressed in the unit J K^{-1} , which is equal to $\text{kg m}^2 \text{s}^{-2} \text{K}^{-1}$ (explicit definition of a fundamental constant). One kelvin is thus the change of the thermodynamic temperature T which corresponds to a change of the thermal energy kT of $1.380\,649 \times 10^{-23}$ joule. This formulation is in analogy to the current definition of the meter and can be considered as an explicit definition of the unit itself. In effect, both formulations are equivalent. Strictly speaking, a unit of temperature of its own would no longer be necessary; however, all thermometers would then have to indicate the joule. For many reasons, this approach is not feasible, practical or enforceable. But what are the consequences of such a new definition?

Initially, the consequences will be of importance only for precision metrology, not in everyday use. Only in this way can international metrology function in an undisturbed way, and the world economy will not be affected. To achieve this, the CCT has prepared a recommendation for implementation (*mise en pratique*) of the new definition. The *mise en pratique* includes recommendations for the direct measurement of the thermodynamic temperature T . Texts defining the International Temperature Scales ITS-90 and PLTS-2000, which will remain valid, supplement this [15]. The recommendation for the implementation will also discuss the differences $T - T_{90}$ and $T - T_{2000}$ of these two defined scales with the respective uncertainties. The temperature values of T_{90} and T_{2000} will thereby be measured in accordance with the requirements of ITS-90 and PLTS-2000.

This approach allows direct thermodynamic temperature measurements far away from the triple point of water. These are, for example, high temperatures where the radiation thermometer can be used as interpolation instrument of the ITS-90, but in future also as primary thermometer [110]. At the highest temperature fixed points of the ITS-90, at 1300 K, for example, the uncertainties are about one thousand times larger than the reproducibility of the TPW, approximately 30 μK . These uncertainties can be considerably reduced in the future by means of primary radiation thermometers. Thus, there are significant benefits of the new definition of the kelvin, particularly for temperature measurements below ~ 20 K and above ~ 1300 K, where primary thermometers may offer a lower thermodynamic uncertainty than is currently available with the defined International Temperature Scales. In the future, as the primary methods evolve and achieve lower

uncertainties, they will become more widely used and may gradually replace the defined scales as the basis of temperature measurement.

Note that the fixed-point temperatures assigned in all of the defined scales are exact with respect to the respective scale temperature (there is no assigned uncertainty) and fixed (the value remains unchanged throughout the life of the scale). As a consequence, the redefinition of the kelvin in terms of the Boltzmann constant has no effect on the temperature values or realisation uncertainties of the present two defined scales. In particular, the status of the TPW as a fixed point, with a defined temperature value on the ITS-90, will remain unchanged. Thus, the uncertainty of realisation of the TPW on the ITS-90 will not acquire any additional uncertainty due to the change in definition. In the temperature range around the triple point of water, which is important in practice, the ITS-90 will still keep its right to exist as it will also in future be of great importance for the worldwide harmonization of temperature measurement. The uncertainty of its realisation is currently still up to one order of magnitude lower than the uncertainty of the thermodynamic temperature T . However, the TPW, which is currently—by definition—provided with an exact temperature, will lose this unique status. It will then be a temperature fixed point like any other, which has exactly the same uncertainty as the Boltzmann constant at the time of its fixing. The relative uncertainty of 3.7×10^{-7} then corresponds to an uncertainty of 0.10 mK for the thermodynamic temperature of the TPW.

8. Conclusion

The starting point for determinations of the Boltzmann constant leading to a new definition of the kelvin was the EURAMET project 885 and a funded iMERAPlus research project. Between 2008 and early 2011 this project [10] was coordinating the European activities to determine k in Denmark (Danish Fundamental Metrology, DFM), France (Laboratoire National de Métrologie et d'Essais, LNE-CNAM, and Laboratoire de Physique des Lasers at University Paris North, LPL), Italy (Istituto Nazionale di Ricerca Metrologica, INRiM, and Universities of Naples and Milan), Spain (Universidad de Valladolid and Centro Español de Metrología, CEM), United Kingdom (National Physical Laboratory, NPL) and Germany (Physikalisch-Technische Bundesanstalt, PTB). This large research collaboration resulted in a major progress and overall in essential developments for AGT. The AGT measurements of LNE-CNAM [33, 34], NPL [111], and INRiM [112] all used resonators jointly developed within the iMERAPlus project and achieved then the smallest uncertainties of all methods. All results were highly consistent and agreed very well with the CODATA value of 2006 [9] based mainly on [6]. These four new determinations were exploited by the CODATA TGFC in its 2010 adjustment together with the fundamental AGT results [6] and [5]. The CODATA TGFC recommended a value for k with a relative standard uncertainty of 9.1×10^{-7} [11].

The development of the various experiments in terms of the published uncertainties is reviewed in table 3. As shown in the table, there are now several determinations of k by AGT featuring a relative standard uncertainty around 1×10^{-6} . Because of these and because the discrepancy between LNE-11 and NPL-13 experiments is resolved, the relative standard uncertainty of the adjusted value of k was already in the 2014 CODATA adjustment only 5.7×10^{-7} [12]. This uncertainty is securely below 1.0×10^{-6} thus fulfilling the first CCT

condition for the new definition of the kelvin [2]. The uncertainties of all determinations taken into account in the 2014 CODATA adjustment are marked in bold.

In addition, the recent low-uncertainty determinations INRiM-15 [25], PTB-17 [52], NIM/NIST-17 [85], NPL-17 [46], LNE-17 [26], NIM-17 [27], UVa/CEM-17 [29] and NIST-17 [87] are listed in table 3 with uncertainty values in italics. With the DCGT result PTB-17 [52] and the noise result NIM/NIST-17 [85], the second CCT condition [2], demanding an independent method with a relative standard uncertainty below 3×10^{-6} , is fulfilled. Thus, the way for the new definition of the kelvin is free. In figure 10, apart from the determinations listed in table 3, also the CODATA adjusted values of 2010 [11] and 2014 [12] are shown for comparison.

For clarity, in figure 11 only those determinations are repeated, which contributed to the final 2017 special adjustment of the CODATA TGFC [13] to be used for the redefinition of the kelvin. In the figure, all four measurements of LNE are combined to the mean value taken from appendix B of [26]. The blue confidence band ($\pm 3.7 \times 10^{-7}$) of the adjusted CODATA value of 2017 ($k = 1.380\,649\,03 \times 10^{-23} \text{ J K}^{-1}$) demonstrates the excellent agreement of all contributing results. As well the CODATA adjusted values of 2014 [12] and 2017 [13] are in remarkable agreement, corresponding to a difference in temperature of only 0.10 mK.

Our review of the Boltzmann project reveals that the development of primary thermometers made considerable progress. Therefore, an adjusted value was achieved for the Boltzmann constant k with a relative standard uncertainty of only 3.7×10^{-7} , which is based on various experiments with three different methods: the acoustic gas thermometer (AGT), the dielectric-constant gas thermometer (DCGT) and the Johnson noise thermometer (JNT) (figure 11). Besides, the Doppler broadening thermometer (DBT) was able to provide an additional confirmation, though with larger uncertainties.

By fixing the numerical value of the Boltzmann constant once for all in 2018, the redefinition of the kelvin is affected. In this way, a fundamental constant rather than a specified substance will become the reference for temperature. Any thermodynamic temperature can in principle be realized without the necessity of starting all traceability from a single fixed point. Perhaps most important, future improvements in thermometry techniques will not lead to another redefinition of the kelvin. The essential consequences are of a long-term nature, as the measuring system for the temperature would thus be infinitely stable. This objective was worth the effort made world-wide.

References

1. Einstein A. 1905; Über die von der molekularkinetischen Theorie der Wärme geforderte Bewegung von in ruhenden Flüssigkeiten suspendierten Teilchen. *Ann Phys.* 17:549–60.
2. Consultative Committee for Thermometry (CCT). Report of the 27th Meeting. 2014. Recommendation CCT T1 (www.bipm.org/utis/common/pdf/CC/CCT/CCT27.pdf)
3. Cohen ER, Taylor BN. 1973; The 1973 Least-squares adjustment of the fundamental constants. *J Phys Chem Ref Data.* 2:663–734.
4. Cohen ER, Taylor BN. 1987; The 1986 adjustment of the fundamental physical constants. *Rev Mod Phys.* 59:1121–48.

5. Colclough AR, Quinn TJ, Chandler TRD. 1979; An acoustic redetermination of the gas constant. *Proc R Soc Lond A*. 368:125–39.
6. Moldover MR, Trusler JPM, Edwards TJ, Mehl JB, Davis RS. 1988; Measurement of the universal gas constant R using a spherical acoustic resonator. *J Res Natl Bur Stand*. 93:85–144.
7. Mohr PJ, Taylor BN. 2000; CODATA recommended values of the fundamental physical constants: 1998. *Rev Mod Phys*. 72:351–495.
8. Mohr PJ, Taylor BN. 2005; CODATA recommended values of the fundamental physical constants: 2002. *Rev Mod Phys*. 77:1–107.
9. Mohr PJ, Taylor BN, Newell DB. 2008; CODATA recommended values of the fundamental physical constants: 2006. *Rev Mod Phys*. 80:633–730.
10. Fischer, J, , et al. The IMERAPlus joint research project for determinations of the Boltzmann constant. In: Meyer, CW, editor. *Temperature: Its Measurement and Control in Science and Industry vol 8 (AIP Proceedings vol 1552)*. New York: AIP Publishing; 2013. 1–10.
11. Mohr PJ, Taylor BN, Newell DB. 2012; CODATA recommended values of the fundamental physical constants: 2010. *Rev Mod Phys*. 84:1527–604.
12. Mohr PJ, Newell DB, Taylor BN. 2016; CODATA recommended values of the fundamental physical constants: 2014. *Rev Mod Phys*. 88:035009.
13. Newell DB, et al. 2017; The CODATA 2017 Values of h , e , k , and N_A . *Metrologia*. 55:L13–6.
14. Fellmuth B, Gaiser C, Fischer J. 2006; Determination of the Boltzmann constant—status and prospects. *Meas Sci Technol*. 17:R145–59.
15. Fellmuth B, Fischer J, Machin G, Picard S, Steur P, Tamura O, White R, Yoon H. 2016; The kelvin redefinition and its mise en pratique. *Phil Trans R Soc A*. 374:20150037. [PubMed: 26903103]
16. Moldover M, Gavioso RM, Mehl JB, Pitre L, de Podesta M, Zhang JT. 2014; Acoustic gas thermometry. *Metrologia*. 51:R1–9.
17. Mehl JB, Moldover MR. 1986; Measurement of the ratio of the speed of sound to the speed of light. *Phys Rev*. A34:33481–4.
18. Mehl JB, Moldover MR, Pitre L. 2004; Designing quasispherical resonators for acoustic thermometry. *Metrologia*. 41:295–304.
19. Mehl JB. 2007; Acoustic eigenvalues of a quasispherical resonator: second order shape perturbation theory for arbitrary modes. *J Res Natl Inst Stand Technol*. 122:163–73.
20. Mehl JB. 2009; Second-order electromagnetic eigenfrequencies of a triaxial ellipsoid. *Metrologia*. 46:554–9.
21. Edwards G, Underwood R. 2011; The electromagnetic fields of a triaxial ellipsoid calculated by modal superposition. *Metrologia*. 48:114–22.
22. Underwood R, Flack D, Morantz P, Sutton G, Shore P, de Podesta M. 2011; Dimensional characterization of a quasispherical resonator by microwave and coordinate measurement techniques. *Metrologia*. 48:1–15.
23. Aziz RA, Janzen AR, Moldover MR. 1995; *Ab initio* Calculations for helium: a standard for transport property measurements. *Phys Rev Lett*. 74:1586–9. [PubMed: 10059066] Cencek W, Przybytek M, Komasa J, Mehl JB, Jeziorski B, Szalewicz K. 2012; Effects of adiabatic, relativistic, and quantum electrodynamics interactions on the pair potential and thermophysical properties of helium. *J Chem Phys*. 136:224303. [PubMed: 22713043]
24. Vogel E, Jäger B, Hellmann R, Bich E. 2010; *Ab initio* pair potential energy curve for the argon atom pair and thermophysical properties for the dilute argon gas. II. Thermophysical properties for low-density argon. *Mol Phys*. 108:3335–2.
25. Gavioso RM, Madonna Ripa D, Steur PPM, Gaiser C, Truong D, Guianvarc’h C, Tarizzo P, Stuart FM, Dematteis R. 2015; A determination of the molar gas constant R by acoustic thermometry in helium. *Metrologia*. 52:S274–304.
26. Pitre L, et al. 2017; New measurement of the Boltzmann constant k by acoustic thermometry of helium-4 gas. *Metrologia*. 54:856–73.
27. Feng XJ, Zhang JT, Lin H, Gillis KA, Mehl JB, Moldover MR, Zhang K, Duan YN. 2017; Determination of the Boltzmann constant with cylindrical acoustic gas thermometry. *Metrologia*. 54:748–62. [PubMed: 29332954]

28. de Podesta M, Underwood R, Sutton G, Morantz P, Harris P, Mark DF, Stuart FM, Vargha G, Machin G. 2013; A low-uncertainty measurement of the Boltzmann constant. *Metrologia*. 50:354–76.
29. Segovia JJ, Lozano-Martín D, Martín MC, Chamorro CR, Villamañán MA, Pérez E, García Izquierdo C, del Campo D. 2017; Updated determination of the molar gas constant R by acoustic measurements in argon at UVa-CEM. *Metrologia*. 54:663–73.
30. Mehl JB. 1985; Spherical acoustic resonator: effects of shell motion. *J Acoust Soc Am*. 78:782–8.
31. Mehl JB. 1982; Acoustic resonance frequencies of deformed spherical resonators. *J Acoust Soc Am*. 71:1109–13.
32. Mehl JB. 1985; Acoustic resonance frequencies of deformed spherical resonators. II. *J Acoust Soc Am*. 78:278–85.
33. Pitre L, Sparasci F, Truong D, Guillou A, Risehari L, Himbert ME. 2011; Measurement of the Boltzmann constant k_B using a quasi-spherical acoustic resonator. *Int J Thermophys*. 32:1825–86.
34. Pitre L, Guianvarc’h C, Sparasci F, Guillou A, Truong D, Hermier Y, Himbert ME. 2009; An improved acoustic method for the determination of the Boltzmann constant at LNE-INM/CNAM. *C Rendus Phys*. 10:835–48.
35. Pitre L, Sparasci F, Risehari L, Plimmer MD, Himbert ME, Giuliano Albo PA. 2015; Determination of the Boltzmann constant k from the speed of sound in helium gas at the triple point of water. *Metrologia*. 52:S263–73.
36. Zhang JT, Lin H, Feng XJ, Sun JP, Gillis KA, Moldover MR, Duan YY. 2011; Progress toward redetermining the Boltzmann constant with a fixed-path-length cylindrical resonator. *Int J Thermophys*. 32:1297–329.
37. Lin H, Feng XJ, Gillis KA, Moldover MR, Zhang JT, Sun JP, Duan YY. 2013; Improved determination of the Boltzmann constant using a single, fixed—length cylindrical cavity. *Metrologia*. 50:417–32.
38. Lin H, Gillis KA, Zhang JT. 2010; Characterization of piezoelectric ceramic transducer for accurate speed-of-sound measurement. *Int J Thermophys*. 31:1234–47.
39. Feng XJ, Lin H, Gillis KA, Moldover MR, Zhang JT. 2015; Test of a virtual cylindrical acoustic resonator for determining the Boltzmann constant. *Metrologia*. 52:S343–52.
40. de Podesta M, May EF, Mehl JB, Pitre L, Gaviolo RM, Benedetto G, Giuliano Albo PA, Truong D, Flack D. 2010; Characterization of the volume and shape of quasi-spherical resonators using coordinate measurement machines. *Metrologia*. 47:588–604.
41. Underwood R, Davidson S, Perkin M, Morantz P, Sutton G, de Podesta M. 2012; Pycnometric volume measurement of a quasispherical resonator. *Metrologia*. 49:245–56.
42. Gillis KA. 2012; Second-order boundary corrections to the radial acoustic eigenvalues for a spherical cavity. *Metrologia*. 49:L21–4.
43. de Podesta M, Underwood R, Sutton G, Morantz P, Harris P, Mark DF, Stuart FM, Machin G. 2016; Response to Macnaughton’s ‘Comment on ‘A low-uncertainty measurement of the Boltzmann constant’’. *Metrologia*. 53:116–22.
44. Yang I, Pitre L, Moldover MR, Zhang J, Feng X, Kim JS. 2015; Improving acoustic determinations of the Boltzmann constant with mass spectrometer measurements of the molar mass of argon. *Metrologia*. 52:S394–409.
45. de Podesta M, Yang I, Mark DF, Underwood R, Sutton G, Machin G. 2015; Correction of NPL-2013 estimate of the Boltzmann constant for argon isotopic composition and thermal conductivity. *Metrologia*. 52:S353–63.
46. de Podesta M, Mark DF, Dymock RC, Underwood R, Bacquart T, Sutton G, Davidson S, Machin G. 2017; Re-estimation of argon isotope ratios leading to a revised estimate of the Boltzmann constant. *Metrologia*. 54:683–92.
47. Pérez-Sanz FJ, Segovia JJ, Martín MC, Villamañán MA, del Campo D, García C. 2015; Progress towards an acoustic determination of the Boltzmann constant at CEM-UVa. *Metrologia*. 52:S257–62.
48. Gaiser C, Zandt T, Fellmuth B. 2015; Dielectric-constant gas thermometry. *Metrologia*. 52:S217–26.

49. Piszczatowski K, Puchalski M, Komasa J, Jeziorski B, Szalewicz K. 2015; Frequency-dependent polarizability of helium including relativistic effects with nuclear recoil terms. *Phys Rev Lett.* 114:173004. [PubMed: 25978230]
50. Zandt T, Fellmuth B, Gaiser C, Kuhn A. 2010; Dielectric-constant gas-thermometry measuring system for the determination of the Boltzmann constant at PTB. *Int J Thermophys.* 31:1371–85. Merlone A, Moro F, Zandt T, Gaiser C, Fellmuth B. 2011; Construction and start-up of a large-volume thermostat for dielectric-constant gas thermometry. *Int J Thermophys.* 31:1386–95.
51. Zandt T, Fellmuth B, Gaiser C, Kuhn A, Merlone A, Moro F, Thiele-Krivoi B. 2011; Capabilities for dielectric-constant gas thermometry in a special large-volume liquid-bath thermostat. *Int J Thermophys.* 32:1355–65.
52. Gaiser C, Fellmuth B, Haft N, Kuhn A, Thiele-Krivoi B, Zandt T, Fischer J, Jusko O, Sabuga W. 2017; Final determination of the Boltzmann constant by dielectric-constant gas thermometry. *Metrologia.* 54:280–9.
53. Fellmuth B, Fischer J, Gaiser C, Jusko O, Priruenrom T, Sabuga W, Zandt T. 2011; Determination of the Boltzmann constant by dielectric-constant gas thermometry. *Metrologia.* 48:382–90.
54. Maynard JD. 1992; The use of piezoelectric film and ultrasound resonance to determine the complete elastic tensor in one measurement. *J Acoust Soc Am.* 91:1754–62. [PubMed: 1564210]
55. Migliori A, Sarrao JL, Visscher WM, Bell TM, Lei M, Fisk Z, Leisure RG. 1993; Resonant ultrasound spectroscopic techniques for measurement of the elastic moduli of solids. *Physica B.* 183:1–24.
56. Grüneisen E. 1908; Zusammenhang zwischen Kompressibilität, thermischer Ausdehnung, Atomvolumen und Atomwärme der Metalle. *Annal Phys.* 26:393–402.
57. Fellmuth B, Bothe H, Haft N, Melcher J. 2011; High-precision capacitance bridge for dielectric-constant gas thermometry. *IEEE Trans Instr Meas.* 60:2522–6.
58. Zandt T, Sabuga W, Gaiser C, Fellmuth B. 2015; Measurement of pressures up to 7 MPa applying pressure balances for dielectric-constant gas thermometry. *Metrologia.* 52:S305–13.
59. Gaiser C, Fellmuth B. 2012; Low-temperature determination of the Boltzmann constant by dielectric-constant gas thermometry. *Metrologia.* 49:L4–7.
60. Gaiser C, Zandt T, Fellmuth B, Fischer J, Jusko O, Sabuga W. 2013; Improved determination of the Boltzmann constant by dielectric-constant gas thermometry. *Metrologia.* 50:L7–11.
61. Johnson JB. 1927; Thermal agitation of electricity in conductors. *Nature.* 119:50–1.
62. Johnson JB. 1928; Thermal agitation of electricity in conductors. *Phys Rev.* 32:97–109.
63. Nyquist H. 1928; Thermal agitation of electric charge in conductors. *Phys Rev.* 32:110–3.
64. Callen HB, Welton TA. 1951; Irreversibility and generalized noise. *Phys Rev.* 83:34–40.
65. Brixy, H, Hecker, R, Oehmen, J, Rittinghaus, KF, Setiawan, W, Zimmermann, E. Noise thermometry for industrial and metrological applications at KFA Jülich. In: Schooley, JF, editor. *Temperature: Its Measurement and Control in Science and Industry (AIP Proceedings vol 6)*. New York: AIP Publishing; 1992. 993–6.
66. White DR, et al. 1996; The status of Johnson noise thermometry. *Metrologia.* 33:325–35.
67. White, DR, Mason, RS. An EMI test for Johnson noise thermometry. In: Zvizdic, D, et al., editors. *Proc TEMPMEKO 2004, 9th Int Symp on Temperature and Thermal Measurements in Industry and Science*. Zagreb: Faculty of Mechanical Engineering and Naval Architecture; 2005. 485–90.
68. Benz SP, Hamilton CA. 1996; A pulse-driven programmable Josephson voltage standard. *Appl Phys Lett.* 68:3171–3.
69. Benz SP, Hamilton CA, Burroughs CJ, Harvey TE, Christian LA, Przybysz JX. 1998; Pulse-driven Josephson digital/analog converter. *IEEE Trans Appl Supercond.* 8:42–7.
70. Benz SP, Dresselhaus PD, Martinis JM. 2003; An ac Josephson source for Johnson noise thermometry. *IEEE Trans Instrum Meas.* 52:545–9.
71. Benz, SP, Martinis, JM, Nam, SW, Tew, WL, White, DR. A new approach to Johnson noise thermometry using a Josephson quantized voltage source for calibration. In: Fellmuth, B, editor. *Proc TEMPMEKO 2001, 8th Int Symp on Temperature and Thermal Measurements in Industry and Science*. Berlin: VDE Verlag; 2002. 37–44.

72. Nam SW, Benz SP, Dresselhaus PD, Tew WL, White DR, Martinis JM. 2003; Johnson noise thermometry measurements using a quantum voltage noise source for calibration. *IEEE Trans Instrum Meas.* 52:550–3.
73. Benz SP, White DR, Qu J, Rogalla H, Tew WL. 2009; Electronic measurement of the Boltzmann constant with a quantum-voltage-calibrated Johnson-noise thermometer. *C Rendus Phys.* 10:849–58.
74. White DR, Benz SP. 2008; Constraints on a synthetic-noise source for Johnson noise thermometry. *Metrologia.* 45:93–101.
75. White DR, Benz SP, Labenski JR, Nam SW, Qu JF, Rogalla H, Tew WL. 2008; Measurement time and statistics for a noise thermometer with a synthetic-noise reference. *Metrologia.* 45:395–405.
76. Qu JF, Benz SP, Rogalla H, White DR. 2009; Reduced nonlinearities and improved temperature measurements for the NIST Johnson noise thermometer. *Metrologia.* 46:512–24.
77. Benz SP, Pollarolo A, Qu JF, Rogalla H, Urano C, Tew WL, Dresselhaus PD, White DR. 2011; An electronic measurement of the Boltzmann constant. *Metrologia.* 48:142–53.
78. Qu JF, Benz SP, Pollarolo A, Rogalla H. 2011; Reduced nonlinearity effect on the electronic measurement of the Boltzmann constant. *IEEE Trans Instrum Meas.* 60:2427–33.
79. Pollarolo A, Jeong T, Benz SP, Rogalla H. 2013; Johnson noise thermometry measurement of the Boltzmann constant with a 200 Ω sense resistor. *IEEE Trans Instrum Meas.* 62:1512–7.
80. Qu JF, Fu YF, Zhang JQ, Rogalla H, Pollarolo A, Benz SP. 2013; Flat frequency response in the electronic measurement of the Boltzmann constant measurement. *IEEE Trans Instrum Meas.* 62:1518–23.
81. Qu, JF, Zhang, JT, Fu, YF, Rogalla, H, Pollarolo, A, Benz, SP. Development of a quantum-voltage-calibrated noise thermometer at NIM. In: Meyer, CW, editor. *Temperature: Its Measurement and Control in Science and Industry vol 8 (AIP Proceedings vol 1552)*. New York: AIP Publishing; 2013. 29–33.
82. Qu JF, Benz SP, Pollarolo A, Rogalla H, Tew WL, White RD, Zhou KL. 2015; Improved electronic measurement of the Boltzmann constant by Johnson noise thermometry. *Metrologia.* 52:S242–56.
83. White RD, Qu JF. 2017; Frequency-response mismatch effects in Johnson noise thermometry. *Metrologia.* 55:38–49.
84. Coakley KJ, Qu JF. 2017; Spectral model selection in the electronic measurement of the Boltzmann constant by Johnson noise thermometry. *Metrologia.* 54:204–17. [PubMed: 29056762]
85. Qu JF, Benz SP, Coakley KJ, Rogalla H, Tew WL, White RD, Zhou KL, Zhou ZY. 2017; An improved electronic determination of the Boltzmann constant by Johnson noise thermometry. *Metrologia.* 54:549–58. [PubMed: 28970638]
86. Mills IM, Mohr PJ, Quinn TJ, Taylor BN, Williams ER. 2006; Redefinition of the kilogram, ampere, kelvin and mole: a proposed approach to implementing CIPM recommendation 1 (CI-2005). *Metrologia.* 43:227–46.
87. Flowers-Jacobs NE, Pollarolo A, Coakley KJ, Fox AE, Rogalla H, Tew WL, Benz SP. 2017; A Boltzmann constant determination based on Johnson noise thermometry. *Metrologia.* 54:730–7. [PubMed: 29056763]
88. Urano C, Yamazawa K, Kaneko N-H. 2017; Measurement of the Boltzmann constant by Johnson noise thermometry using superconducting integrated circuit. *Metrologia.* 54:847–55.
89. Bordé CJ. 2002; Atomic clocks and inertial sensors. *Metrologia.* 39:435–63.
90. Daussy C, Guinet M, Amy-Klein A, Djerroud K, Hermier Y, Briau deau S, Bordé CJ, Chardonnet C. 2007; Direct determination of the Boltzmann constant by an optical method. *Phys Rev Lett.* 98:250801. [PubMed: 17678007]
91. Lemarchand C, Triki M, Darquie B, Borde CJ, Chardonnet C, Daussy C. 2011; Progress towards an accurate determination of the Boltzmann constant by Doppler spectroscopy. *New J Phys.* 13:073028.
92. Bernard V, Daussy C, Nogues G, Constantin L, Durand PE, Amy-Klein A, van Lerberghe A, Chardonnet C. 1997; CO₂ laser stabilization to 0.1 Hz level using external electrooptic modulation. *IEEE J Quantum Electron.* QE-33:1282–7.

93. Lemarchand C, Djerroud K, Darquié B, Lopez O, Amy-Klein A, Chardonnet C, Bordé CJ, Briaudeau S, Daussy C. 2010; Determination of the Boltzmann constant by laser spectroscopy as a basis for future measurements of the thermodynamic temperature. *Int J Thermophys.* 31:1347–59.
94. Lemarchand C, Mejri S, Sow PLT, Triki M, Tokunaga SK, Briaudeau S, Chardonnet C, Darquie B, Daussy C. 2013; A revised uncertainty budget for measuring the Boltzmann constant using the Doppler broadening technique on ammonia. *Metrologia.* 50:623–30.
95. Triki M, Lemarchand C, Darquie B, Sow PLT, Roncin V, Chardonnet C, Daussy C. 2012; Speed-dependent effects in NH₃ self-broadened spectra: towards the determination of the Boltzmann constant. *Phys Rev A.* 85:062510.
96. Rohart F, Mejri S, Sow L, Daussy C. 2014; Absorption-line-shape recovery beyond the detection-bandwidth limit: application to the precision spectroscopic measurement of the Boltzmann constant. *Phys Rev A.* 90:042506.
97. Mejri S, Sow PLT, Kozlova O, Ayari C, Tokunaga SK, Chardonnet C, Briaudeau S, Darquié B, Rohart F, Daussy C. 2015; Measuring the Boltzmann constant by mid-infrared laser spectroscopy of ammonia. *Metrologia.* 52:S314–23.
98. Sow PLT, Mejri S, Tokunaga SK, Lopez O, Goncharov A, Argence B, Chardonnet C, Amy-Klein A, Daussy C, Darquie B. 2014; A widely tunable 10 μm quantum cascade laser phase-locked to a state-of-the-art mid-infrared reference for precision molecular spectroscopy. *Appl Phys Lett.* 104:264101.
99. Gianfrani L. 2016; Linking the thermodynamic temperature to an optical frequency: recent advances in Doppler broadening thermometry. *Phil Trans R Soc A.* 374:20150047. [PubMed: 26903093]
100. Casa G, Castrillo A, Galzerano G, Wehr R, Merlone A, Di Serafino D, Laporta P, Gianfrani L. 2008; Primary gas thermometry by means of laser-absorption spectroscopy: determination of the Boltzmann constant. *Phys Rev Lett.* 100:200801. [PubMed: 18518520]
101. Moretti L, Castrillo A, Fasci E, De Vizia MD, Casa G, Galzerano G, Merlone A, Laporta P, Gianfrani L. 2013; Determination of the Boltzmann constant by means of precision measurements of H₂¹⁸O line shapes at 1.39 μm. *Phys Rev Lett.* 111:060803. [PubMed: 23971548]
102. Castrillo A, Moretti L, Fasci E, De Vizia MD, Casa G, Gianfrani L. 2014; The Boltzmann constant from the shape of a molecular spectral line. *J Mol Spectrosc.* 300:131–8.
103. Fasci E, De Vizia MD, Merlone A, Moretti L, Castrillo A, Gianfrani L. 2015; The Boltzmann constant from the H₂¹⁸O vibration-rotation spectrum: complementary tests and revised uncertainty budget. *Metrologia.* 52:S233–41.
104. De Vizia MD, Odintsova T, Gianfrani L. 2016; Hyperfine structure effects in Doppler-broadening thermometry on water vapor at 1.4 μm. *Metrologia.* 53:800–4.
105. Castrillo, A, De Vizia, MD, Fasci, E, Odintsova, E, Moretti, L, Gianfrani, L. Doppler-broadening gas thermometry at 1.39 μm: towards a new spectroscopic determination of the Boltzmann constant. In: Dieckmann, K, editor. *Laser Spectroscopy—Proc of the XXII Int Conf.* Singapore: World Scientific; 2016. 31–41.
106. Fasci E, Odintsova T, Castrillo A, De Vizia MD, Merlone A, Bertiglia F, Moretti L, Gianfrani L. 2016; Dual-laser absorption spectroscopy of C₂H₂ at 1.4 μm. *Phys Rev A.* 93:042513.
107. Amodio P, De Vizia MD, Moretti L, Gianfrani L. 2015; Investigating the ultimate accuracy of Doppler-broadening thermometry by means of a global fitting procedure. *Phys Rev A.* 92:032506.
108. Preston-Thomas H. 1990; The international temperature scale of 1990 (ITS-90). *Metrologia.* 27:3–10.
109. The International Systems of Units, 9th Brochure. BIPM Cons Com Units. 2017. (www.bipm.org/en/committees/cc/ccu/publications-cc.html)
110. Anhalt K, Machin G. 2016; Thermodynamic temperature by primary radiometry. *Phil Trans R Soc A.* 374:20150041. [PubMed: 26903102]
111. Sutton G, Underwood R, Pitre L, de Podesta M, Valkiers S. 2010; Acoustic Resonator experiments at the triple point of water: first results for the boltzmann constant and remaining challenges. *Int J Thermophys.* 31:1310–46.

112. Gavioso RM, Benedetto G, Giuliano Albo PA, Madonna Ripa D, Merlone A, Guianvarc'h C, Moro F, Cuccaro R. 2010; A determination of the Boltzmann constant from speed of sound measurements in helium at a single thermodynamic state. *Metrologia*. 47:387–409.
113. Moldover MR, Gavioso RM, Newell DB. 2015; Correlations among acoustic measurements of the Boltzmann constant. *Metrologia*. k:S376–84.

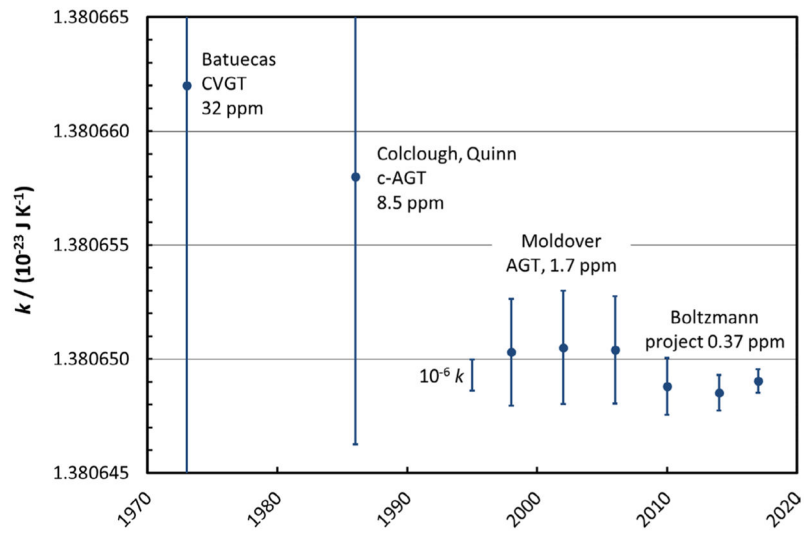


Figure 1.

History of the adjusted values of the Boltzmann constant taken from the periodic reviews of the CODATA TGFC with relative uncertainties indicated. Contributing measurements and method indicated. Note that on the time axis are the dates of the CODATA adjustments, not the dates of the contributing measurements. The error bars indicate standard uncertainties.

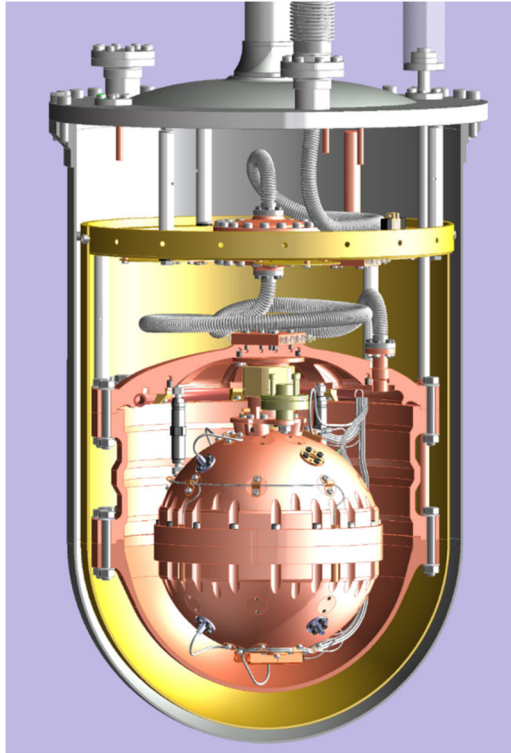


Figure 2. The LNE-CNAM resonator BCU4 used for the lowest uncertainty estimate of the Boltzmann constant. The copper resonator is assembled from two diamond-turned hemispheres to create a triaxial ellipsoid with an internal volume of approximately 3 l.

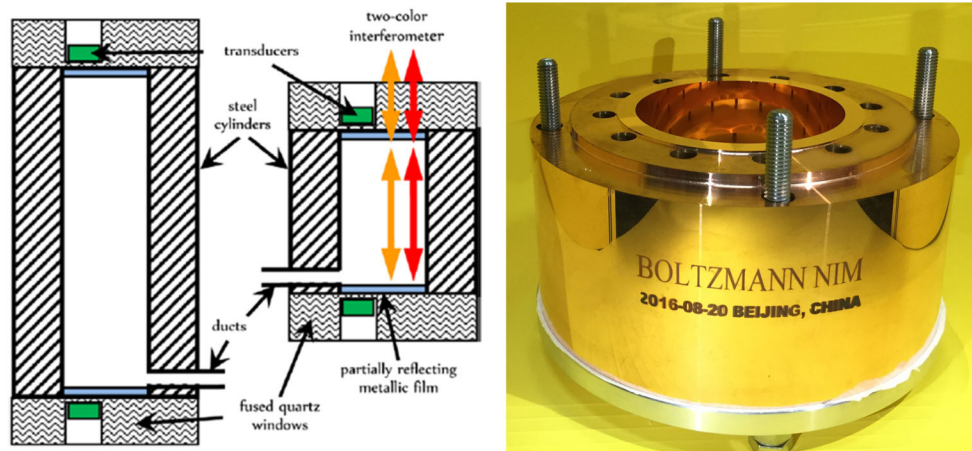


Figure 3. NIM have developed several cylindrical resonators. Left: schematic illustration of the use of two cylinders differing in length by a factor two, in which the end effects can be cancelled out. Right: a diamond-turned copper cylinder using the final NIM experiments.

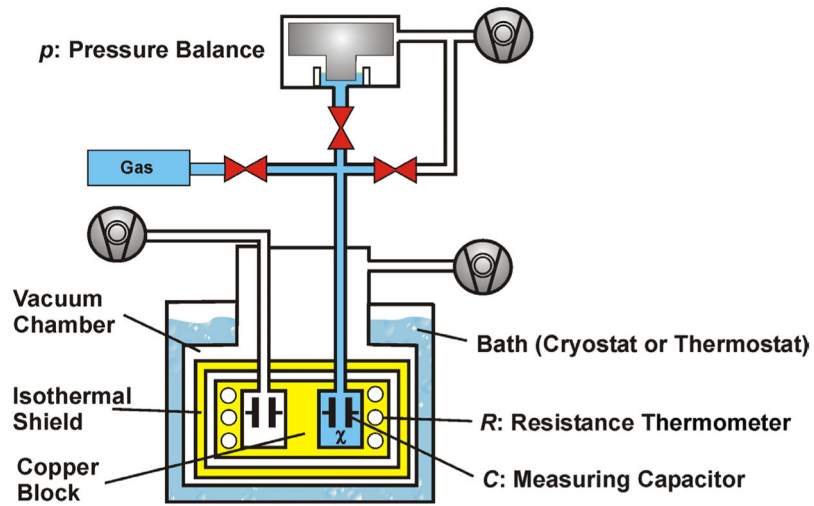


Figure 4. Schematic sketch of the DCGT setup used at PTB (reference capacitor on the left, measuring capacitor on the right). Three quantities must be measured: pressure p , capacitance $C(p)$ and temperature T via the resistance R of a thermometer, which was calibrated at the TPW. $\chi = \epsilon_r - 1$ is the dielectric susceptibility of the gas.

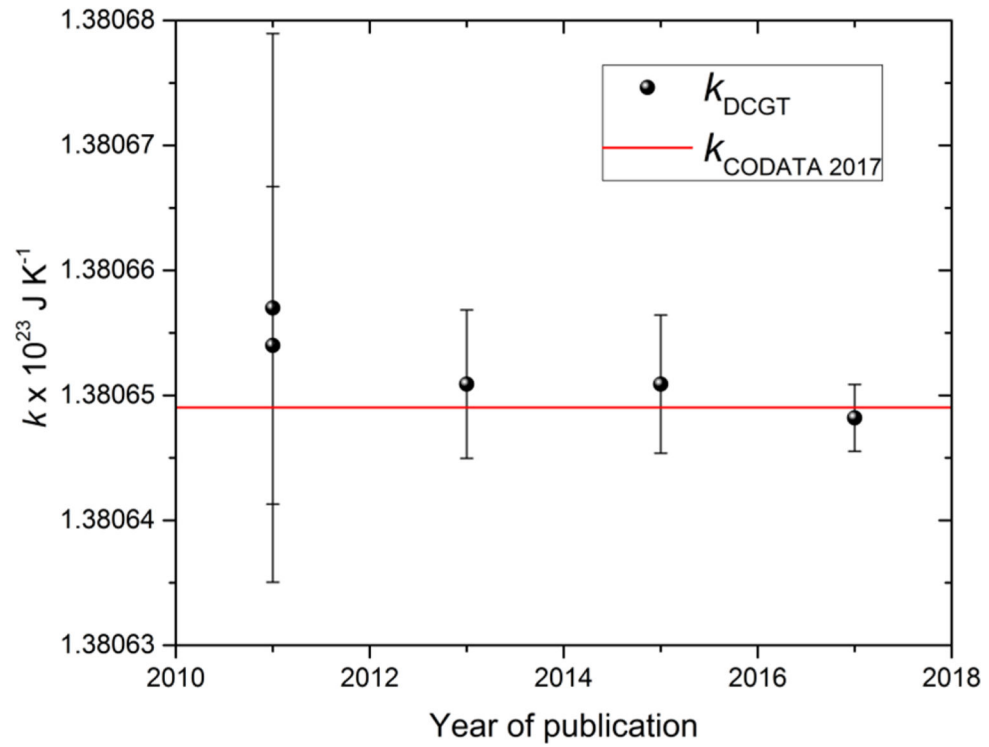


Figure 5.

The black dots show the development of the determinations of k with DCGT since 2011. The data is taken from the papers published in 2011 [54, 59], 2013 [60], 2015 [48] and 2017 [52]. The red line shows the CODATA 2017 [13] estimate for k (for more details see text).

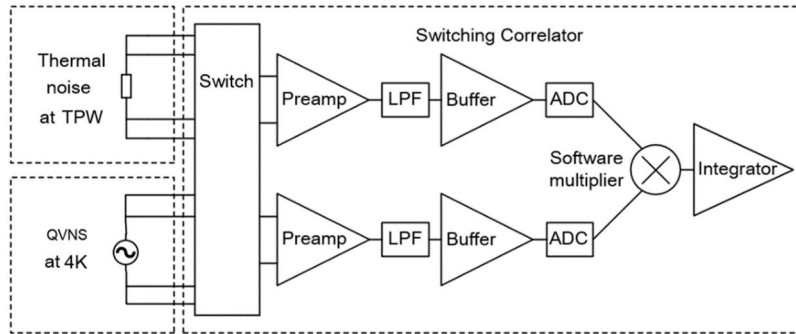


Figure 6. Simplified schematic diagram of a QVNS calibrated JNT. The switch alternately connects the thermal noise source or QVNS to the two amplifier channels that consist of preamplifiers (Preamp), low pass filters (LPF), buffer amplifiers (Buffer), and analogue-to-digital convertors (ADC).

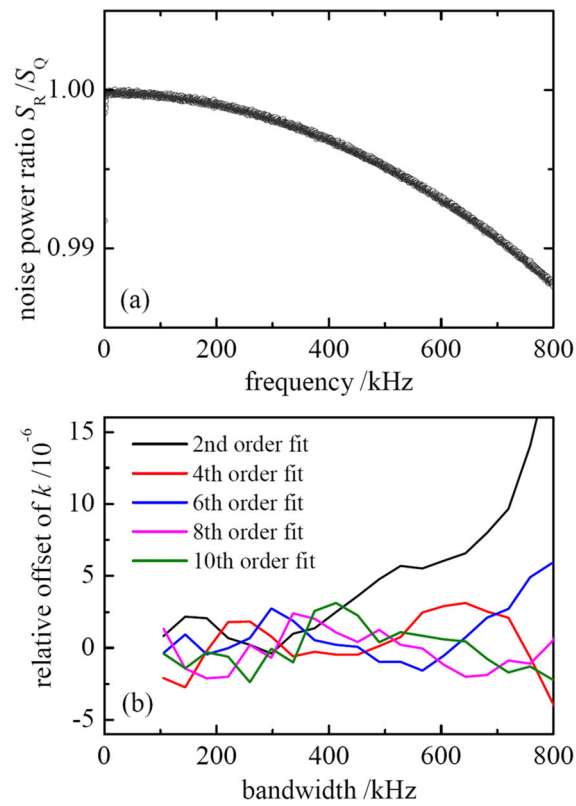


Figure 7.

(a) The noise power ratio spectrum from the NIM 2017 measurements, where S_R and S_Q are the measured power spectral densities of thermal noise and quantum voltage noise, respectively, and (b) the estimate of relative offset of k from CODATA recommended value versus bandwidth and order of the even-order polynomial fit.

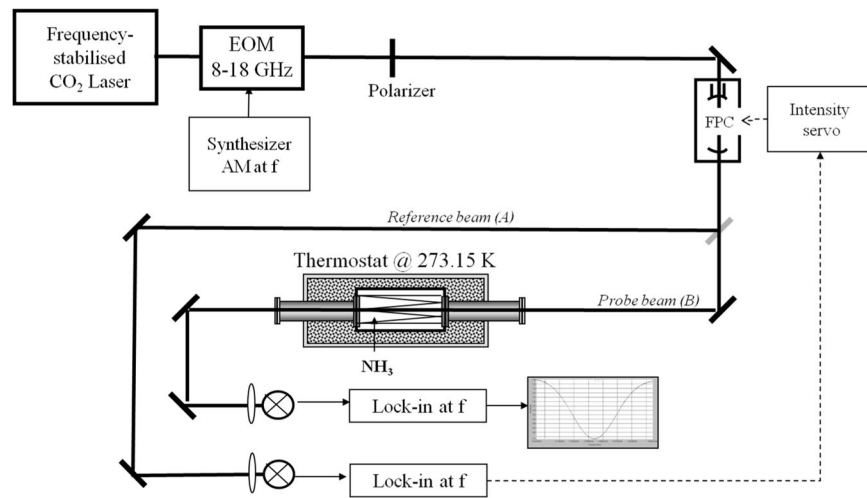


Figure 8. Experimental setup used at Laboratoire de Physique des Lasers (AM: amplitude modulation, EOM: electro-optic modulator, FPC: Fabry Perot cavity, lock-in: lock-in amplifier).

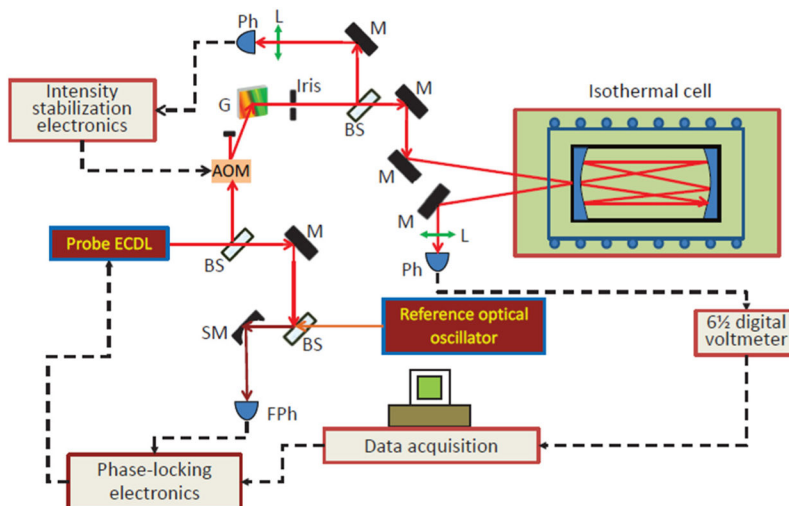


Figure 9. Schematic diagram of the third-generation spectrometer developed at Università degli Studi della Campania. ECDL stands for extended-cavity diode laser, M for mirror, SM for spherical mirror, L for lens, BS for beam splitter, Ph for photodiode, FPh for fast photodiode, G for grating, AOM for acousto-optic modulator. The reference optical oscillator is directly linked to an optical frequency comb synthesizer. The probe ECDL is phase locked to the reference oscillator, with a tunable offset frequency. The intensity of the probe beam is actively stabilized.

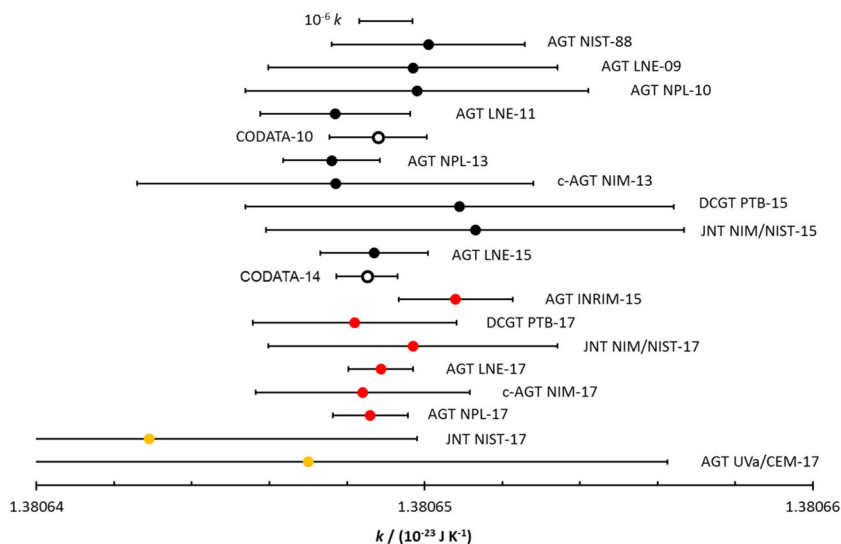


Figure 10. Determinations of the Boltzmann constant in chronological order. Black dots: all contributions to the adjusted CODATA value of 2014. Red dots: new measurements contributing to the CODATA 2017 adjustment. The uncertainties of the recent determinations UVa/CEM-17 with AGT and NIST-17 with JNT did not meet the CODATA TGFC criterion for inclusion in the adjustment (yellow dots). In addition, the CODATA adjusted values of 2010 and 2014 are shown as open circles. All bars denote standard uncertainties.

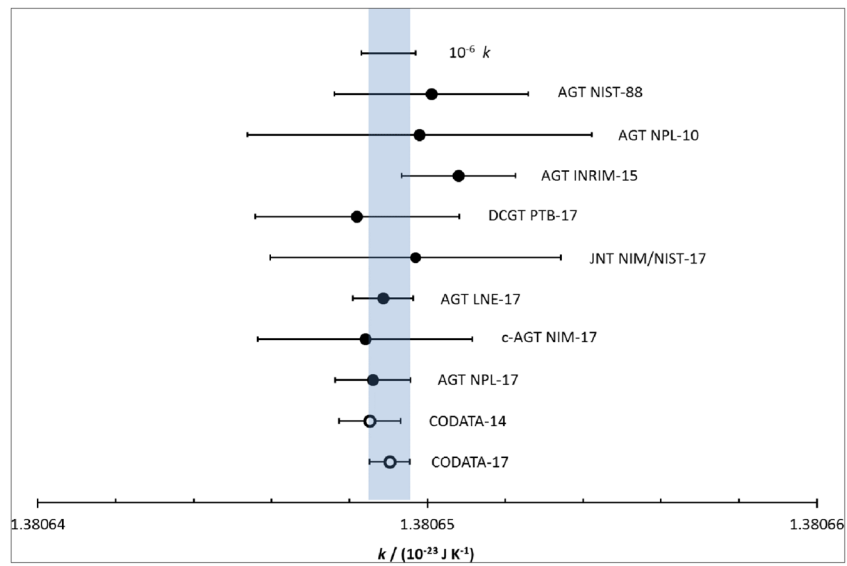


Figure 11.

All determinations of the Boltzmann constant contributing to the adjusted CODATA value of 2017. For clarity, all four results of LNE have been combined to a mean value [26]. In addition, the CODATA adjusted values of 2014 [12] and 2017 [13] are shown as open circles. All bars denote standard uncertainties and the blue band that of the 2017 CODATA value.

Table 1

Institutions involved in determining k using AGT (see authors list for team abbreviations). Details of the resonators and gases used for the final determinations of k are listed. We omit earlier estimates from each institution.

Team	Shape	Size	Material	Gas	Reference
NIST	Sphere	3 l, radius 89 mm	Steel	Ar	[6]
INRIM	Misaligned hemispheres	3 l, radius 89 mm	Copper	He	[25]
LNE-CNAM	Triaxial ellipsoid	3 l, radius 89 mm	Copper	He	[26]
NIM	Cylinders	Length 80 mm radius 80 mm	Steel and copper	Ar	[27]
NPL	Triaxial ellipsoid	1 l, radius 63 mm	Copper	Ar	[28]
UVa/CEM	Triaxial ellipsoid	0.25 l, radius 40 mm	Gold-coated steel	Ar	[29]

Table 2

The lowest uncertainty AGT results from each institution in the Boltzmann collaboration showing the numerical value k and uncertainty contributions arising from key components of the uncertainty budget. The uncertainties are relative standard uncertainty components expressed as parts in 10^6 .

Team (Reference)	$k/(10^{-23} \text{ J K}^{-1})$	Dimensional	Acoustics	Molar mass	Temperature	Overall
NIST [6]	1.380 6502	0.80	0.92	0.81	0.89	1.8
INRIM [25]	1.380 659	0.52	0.90	0.37	0.42	1.06
LNE-CNAM [26]	1.380 648 80	0.20	0.40	0.09	0.39	0.60
NIM (Best) [27]	1.380 6484	1.32	2.93	0.77	0.49	3.35
NPL [46]	1.380 648 62	0.38	0.18	0.39	0.36	0.70
UVa/CEM [29]	1.380 6467	4.7	4.4	1.5	0.9	6.7

Table 3

Development of the relative standard uncertainties $u(k)/k$ of high-accuracy determinations of the Boltzmann constant. Applied method and gas are specified. The uncertainties of the determinations contributed to the 2014 CODATA adjustment are marked in bold. The correlations among all AGT measurements are considered as derived in [13, 113]. New determinations after the CODATA 2014 adjustment with uncertainties in italics.

Determination	Method	Gas	$u(k)/k/10^{-6}$				
			Up to 2011	2013	2015	2017	
NIST-88	AGT	Ar	1.77	—	—	—	
INRIM-10, -15	AGT	He	7.49	—	<i>1.06</i>	—	
LNE-09, -15, -17	AGT	He	2.73	—	1.01	<i>0.60</i>	
LNE-11	AGT	Ar	1.41	—	—	—	
NPL-10, -13, -17	AGT	Ar	3.19	0.90	—	<i>0.70</i>	
UVa/CEM-15, -17	AGT	Ar	—	—	20	<i>6.7</i>	
NIM-11, -13, -17	c-AGT	Ar	7.9	3.70	—	<i>2.0</i>	
PTB-11, -13, -15, -17	DCGT	He	7.9	4.3	4.0	<i>1.94</i>	
NIM/NIST-15, -17	JNT	—	—	—	3.9	<i>2.71</i>	
NIST-11, -17	JNT	—	12.1	—	—	<i>5.0</i>	