



**HAL**  
open science

# Origin and Evolution of the Neuroendocrine Control of Reproduction in Vertebrates, with Special Focus on Genome and Gene Duplications

Sylvie Dufour, Bruno Quérat, Hervé Tostivint, Catherine Pasqualini, Hubert Vaudry, Karine Rousseau

► **To cite this version:**

Sylvie Dufour, Bruno Quérat, Hervé Tostivint, Catherine Pasqualini, Hubert Vaudry, et al.. Origin and Evolution of the Neuroendocrine Control of Reproduction in Vertebrates, with Special Focus on Genome and Gene Duplications. *Physiological Reviews*, 2020, 100 (2), pp.869-943. 10.1152/physrev.00009.2019 . hal-02383899

**HAL Id: hal-02383899**

**<https://hal.science/hal-02383899>**

Submitted on 15 Nov 2022

**HAL** is a multi-disciplinary open access archive for the deposit and dissemination of scientific research documents, whether they are published or not. The documents may come from teaching and research institutions in France or abroad, or from public or private research centers.

L'archive ouverte pluridisciplinaire **HAL**, est destinée au dépôt et à la diffusion de documents scientifiques de niveau recherche, publiés ou non, émanant des établissements d'enseignement et de recherche français ou étrangers, des laboratoires publics ou privés.

1  
2  
3  
4  
5  
6  
7  
8  
9  
10  
11  
12  
13  
14  
15  
16  
17  
18  
19  
20  
21  
22

**Origin and evolution of the neuroendocrine control of reproduction in vertebrates, with special focus on genome and gene duplications**

Sylvie Dufour<sup>1\*</sup>, Bruno Quérat<sup>2</sup>, Hervé Tostivint<sup>3</sup>, Catherine Pasqualini<sup>4</sup>, Hubert Vaudry<sup>5</sup>,  
Karine Rousseau<sup>1</sup>

<sup>1</sup>. Muséum National d'Histoire Naturelle, BOREA (Biology of Aquatic Organisms and Ecosystems), CNRS, IRD, Sorbonne Université, Université Caen Normandie, Université des Antilles, Paris, France

<sup>2</sup>. Université Paris Diderot, Sorbonne Paris Cite, Biologie Fonctionnelle et Adaptative (BFA), UMR CNRS 8251, Paris, France, INSERM U1133 Physiologie de l'axe gonadotrope, Paris, France

<sup>3</sup>. Muséum National d'Histoire Naturelle, Physiologie moléculaire et adaptation, UMR 7221 CNRS, Muséum National d'Histoire Naturelle, Paris, France,

<sup>4</sup>. Université Paris-Saclay, Université Paris-Sud, CNRS, Paris-Saclay Institute of Neuroscience (UMR 9197), Gif-sur-Yvette, France

<sup>5</sup>. Université de Rouen Normandie, INSERM U1239, Rouen, France,

Corresponding author: Sylvie Dufour; e-mail: [sylvie.dufour@mnhn.fr](mailto:sylvie.dufour@mnhn.fr)

23	
24	<b>Table of contents</b>
25	
26	<b>1. Introduction</b>
27	
28	<b>2. Looking for the origin and evolution of the neuroendocrine control of reproduction</b>
29	<b>2.1. Objectives</b>
30	<b>2.2 Bases of phylogeny</b>
31	2.2.1. Phylogeny of vertebrates
32	2.2.2. Phylogeny of metazoa
33	2.2.3. Phylogeny of molecular families <i>versus</i> phylogeny of species
34	<b>2.3. Origin and fate of duplicated genes</b>
35	2.3.1. Intra-gene duplication
36	2.3.2. Local gene duplication
37	2.3.3. Whole genome duplication
38	2.3.4. Definition of homologous, orthologous, paralogous, or ohnologous genes
39	2.3.5. Fate of duplicated genes
40	
41	<b>3. Origin and evolution of gonadotropins, the pituitary relay between brain and gonads</b>
42	<b>in vertebrates</b>
43	<b>3.1. Vertebrate gonadotropins</b>
44	3.1.1. Discovery of pituitary gonadotropins
45	3.1.2. Non-pituitary gonadotropins
46	3.1.3. Extra-pituitary expression of LH and FSH
47	3.1.4. Main regulators of gonadal function
48	3.1.5. A role for gonadotropin subunit monomers or homodimers ?
49	<b>3.2. Structural characteristics of gonadotropins</b>
50	3.2.1. Global folding and general characteristics
51	3.2.2. $\alpha$ subunits
52	3.2.3. LH $\beta$ subunits
53	3.2.4. CG $\beta$ subunit
54	3.2.5. FSH $\beta$ subunit
55	<b>3.3. Origin and evolution of gonadotropins</b>
56	3.3.1. Recent discovery of additional members of GPH family in mammals

57	3.3.2. Ancient origin of GPA2/GPB5 before the emergence of vertebrates
58	3.3.3. A limited role for vertebrate GPA2/GPB5 in reproduction
59	3.3.4. Evolution of the GPH family in vertebrates
60	
61	<b>4. Origin and evolution of GnRH, brain conductor of reproduction in vertebrates</b>
62	<b>4.1. Introduction</b>
63	<b>4.2. Origin and evolution of GnRH</b>
64	4.2.1. GnRH in mammals
65	4.2.2. GnRH in other vertebrates: contribution to the discovery of multiple GnRH
66	4.2.3. Evolution of GnRH genes in vertebrates: impact of WGD
67	<b>4.3. Origin and evolution of GnRH receptors</b>
68	4.3.1. GnRH-R in mammals
69	4.3.2. GnRH-R in other vertebrates: contribution to the discovery of multiple GnRH-R
70	4.3.3. Evolution of GnRH-R genes in vertebrates: impact of WGD
71	<b>4.4. Origin of the GnRH system before the emergence of vertebrates</b>
72	4.4.1. GnRH and GnRH-R in non-vertebrate chordates
73	4.4.2. GnRH-like peptides and GnRH-R in other non-vertebrates
74	4.4.3. Other GnRH-related peptides (AKH, CZR, ACP) and their receptors
75	4.4.4. Evolutionary relationships between GnRH- and AKH-CRZ-ACP-like systems
76	4.4.5. GnRH and GnRH-R before bilateria?
77	<b>4.5. Functions of GnRH-like peptides: evolutionary perspectives</b>
78	4.5.1. Reproductive functions of GnRH in chordates
79	4.5.2. Non-reproductive functions of GnRH in chordates
80	4.5.3. Roles of GnRH-like peptides in non-chordates
81	
82	<b>5. Origin and evolution of brain RF-amide peptides in the limelight for reproduction</b>
83	<b>5.1. History and evolutionary relationships of the RF-amide peptides</b>
84	5.1.1 Discovery of RF-amide peptides in mollusks
85	5.1.2. RF- amide peptides superfamily in vertebrates
86	<b>5.2. GnIH (<i>farf-3</i>) and evolutionary-related peptides (NPFF and QRFP) (<i>farf-1 and -5</i>)</b>
87	5.2.1. Discovery of GnIH in birds: direct inhibitory role on pituitary gonadotropins
88	5.2.2. GnIH inhibitory role at the brain and gonadal levels in birds
89	5.2.3. GnIH in mammals

90	5.2.4. Current studies on the presence and role of GnIH in the reproduction in other
91	vertebrates
92	5.2.5. Origin and evolution of GnIH and its receptors in vertebrates
93	5.2.6. NPF (PQRF) family ( <i>farf-1</i> )
94	5.2.7. QRFP (26RFa) family ( <i>farf-5</i> )
95	<b>5.3. A raising star in mammalian reproduction: Kisspeptin (<i>farf-4</i>)</b>
96	5.3.1. History of the discovery of Kiss in mammals
97	5.3.2. Role of Kiss in the control of reproduction in mammals
98	5.3.3. Multiple Kiss and Kiss receptor genes in vertebrates: origin and evolution
99	5.3.4. Current studies on the role in reproduction of Kiss in non-mammalian vertebrates
100	5.3.5. Kiss before vertebrates
101	5.3.6. Kisspeptin, more related to galanin/spexin than to other RF-amide peptides
102	<b>5.4. Prolactin Releasing-Peptide (PrRP) group (<i>farf-2</i>)</b>
103	<b>5.5. Conclusion on RF-amide peptides</b>
104	
105	<b>6. Non-peptidic neuromediators and the control of reproduction</b>
106	<b>6.1. Introduction</b>
107	6.1.1. Ancient, multifunctional neuromediators
108	6.1.2. Non-peptidic neuromediators produced via enzymatic synthesis: phylogeny of enzymes
109	to retrace their evolutionary history
110	6.1.3. Origin and evolution of neuromediator receptors: direct phylogeny
111	<b>6.2. A key-neuromediator, dopamine</b>
112	6.2.1. Major brain neuromediator in human and other mammals
113	6.2.2. Evolution of tyrosine hydroxylase, key-enzyme of dopamine synthesis
114	6.2.3. Evolution of Dopamine D2 receptors
115	6.2.4. Dopamine major inhibitory regulator of gonadotropins secretion in teleosts
116	6.2.5. Dopamine inhibitory regulator of gonadotropic axis in other vertebrates
117	6.2.6. Dopamine inhibitor of reproduction in other metazoan
118	<b>6.3. Many other neuromediators involved in the control of reproduction</b>
119	6.3.1. Norepinephrine (NE)
120	6.3.2. Serotonin (5-HT)
121	6.3.3. Histamine (HA)
122	6.3.4. GABA
123	<b>6.4. Neuromediators and reproduction: From conservation to disruption</b>

- 124 6.4.1. Ancient origin of neuromediators and receptors in metazoan  
125 6.4.2. Non-peptidic neuromediators as potential targets for neuroendocrine disruption: a  
126 phylogenetic approach  
127 6.4.3. The “One Health concept”

128  
129

130 **Abstract**

131 In human, as in the other mammals, the neuroendocrine control of reproduction is ensured by  
132 the brain-pituitary gonadotropic axis. Multiple internal and environmental cues are integrated  
133 *via* brain neuronal networks, ultimately leading to the modulation of the activity of  
134 gonadotropin-releasing hormone (GnRH) neurons. The decapeptide GnRH is released into the  
135 hypothalamic-hypophyseal portal blood system, and stimulates the production of pituitary  
136 glycoprotein hormones, the two gonadotropins, luteinizing hormone (LH) and follicle-  
137 stimulating hormone (FSH). A novel actor, the neuropeptide kisspeptin (Kiss), acting  
138 upstream of GnRH, has attracted increasing attention in recent years. Other neuropeptides,  
139 such as gonadotropin-inhibiting hormone (GnIH) / RF-amide related peptide (RFRP), and  
140 other members of the RF-amide peptide superfamily, as well as various non-peptidic  
141 neuromediators such as dopamine and serotonin also provide a large panel of stimulatory or  
142 inhibitory regulators. This paper addresses the origin and evolution of the vertebrate  
143 gonadotropic axis. Brain-pituitary neuroendocrine axes are typical of vertebrates, the pituitary  
144 gland, mediator and amplifier of brain control on peripheral organs, being a vertebrate  
145 innovation. The paper reviews, from molecular and functional perspectives, the evolution  
146 across vertebrate radiation of some key-actors of the vertebrate neuroendocrine control of  
147 reproduction, and traces back their origin along the vertebrate lineage and in other metazoa  
148 before the emergence of vertebrates. A focus is given on how gene duplications, resulting  
149 from either local events or from whole genome duplication events (WGD), and followed by

150 paralogous gene loss or conservation, might have shaped the evolutionary scenarios of current  
151 families of key-actors of the gonadotropic axis.

152

### 153 **1. Introduction**

154 The neuroendocrine control of reproduction has been extensively investigated in mammals  
155 (for review: (370)). Two pituitary hormones, the gonadotropins, *i.e.* luteinizing hormone (LH)  
156 and follicle-stimulating hormone (FSH), are released in the general blood circulation and  
157 regulate gonad activity. The synthesis and release of gonadotropins is mainly controlled by a  
158 neuropeptide, gonadotropin-releasing hormone (GnRH), produced by hypothalamic  
159 neurosecretory neurons and released into the portal blood system connecting the median  
160 eminence to the adenohypophysis. GnRH neuron activity is itself regulated by various brain  
161 neuromediators, which allows the integration of multiple environmental and internal cues in  
162 the course of developmental or seasonal control of reproduction (Figure 1).

163 Other major physiological functions in mammals are similarly controlled by brain-pituitary-  
164 peripheral gland axes, such as the thyrotropic axis (brain-pituitary-thyroid) for development  
165 and metabolism, the somatotropic axis (brain-pituitary-liver) for body growth, the  
166 corticotropic axis (brain-pituitary-adrenal gland) for stress and metabolism. The pituitary  
167 gland and its role as a relay between the brain and peripheral glands or peripheral organs, is  
168 considered as an innovation of the vertebrate lineage (for review: (641, 738, 740)). The  
169 pituitary gland with its production of pituitary hormones under the control of brain  
170 neurohormones is a common feature to all vertebrates, even though some anatomical  
171 variations in the brain-pituitary relationships are observed. In mammals as in other tetrapods,  
172 hypophysiotropic neurons project to the median eminence and neurohormones are released  
173 into the pituitary portal system which irrigates the adenohypophysis, while, in teleost fishes,  
174 hypophysiotropic neurons directly project up to the adenohypophysis which exhibits a high

175 regionalization of pituitary cell types (231, 287). In cyclostomes (hagfish and lamprey), brain  
176 neuropeptides reach the adenohypophysis by diffusion from the third ventricle, which may  
177 represent the ancestral pattern of connection between the hypothalamus and the pituitary in  
178 vertebrates (for review: (738)).

179 We review here current information and hypotheses on the origin, conservation and variations  
180 of the key actors of the vertebrate brain-pituitary control of reproduction, with a special  
181 attention to the impact of gene and genome duplication events in the evolutionary scenario of  
182 their molecular families.

183

## 184 **2. Looking for the origin and evolution of the neuroendocrine control of reproduction**

### 185 **2.1. Objectives**

186 Comparative biologists have been investigating the control of reproduction as well as of other  
187 physiological functions in non-mammalian vertebrates and other metazoa. Comparative  
188 studies not only provided specific information on species of interest, but also led to major  
189 advances for basic research. A remarkable example concerns the “neurosecretion” process,  
190 *i.e.* the ability of certain neurons to synthesize and release hormones, a property exhibited for  
191 instance by GnRH neurons. Hypothalamic neurosecretory neurons were first described in  
192 1928 in a teleost fish species, *Phoxinus laevis*, by Ernst Scharer (679), who established the  
193 concept of “neurosecretion”, a few years after the description by Carl Speidel (1919) (742) of  
194 some “glandular” neurons in the spinal cord of chondrichthyan fish, the skates (for reviews:  
195 (665, 678)). In the same line, the first RF-amide peptide, designated after the C-terminal  
196 arginine (R) and amidated phenylalanine (F) residues, has been isolated in 1977 from the  
197 ganglia of a mollusk, the Venus clam, *Macrocallista limbosa* (623). Since then, an increasing  
198 number of RF-amide peptides have been identified in all metazoa, constituting the RF-amide



199 superfamily and including some brain peptides involved in the neuroendocrine control of  
200 reproduction in vertebrates (see section 5).

201 Comparative and evolutionary reproductive neuroendocrinology is arousing interest for  
202 various disciplinary fields, thanks to the variety of biological models investigated and the  
203 availability of tools such as genome sequences. There is an increasing attention to teleosts  
204 (*e.g.* zebrafish) as vertebrate models for biomedical research, and an increasing diversity of  
205 species investigated worldwide for their relevance to agriculture, aquaculture, conservation,  
206 or environmental assessment. Comparative and evolutionary neuroendocrinology aims at  
207 tracing back the roots and the evolution of the neuroendocrine systems, from molecular and  
208 functional perspectives, and at inferring their roles in the evolution of metazoan species and  
209 lifecycles. For agronomic sciences, it contributes to increase basic and applied knowledge for  
210 sustainable control of reproductive cycles in captivity, for understanding domestication  
211 processes, for diversifying cultured species such as in aquaculture, and promoting sustainable  
212 agro/aqua-systems. For conservation biology, it provides new knowledge for understanding  
213 the role of neuroendocrine systems in species adaptation and adaptability to environmental  
214 factors, a crucial topic in the context of global, climatic and anthropogenic changes. In  
215 biomedical sciences, comparative and evolutionary neuroendocrinology contributes to  
216 innovative advances by providing alternative vertebrate models suitable for experimentation  
217 such as zebrafish, by revealing the evolutionary conservation of key neuroendocrine actors  
218 and of their sequences, the mutation of which may lead to severe pathologies, or by  
219 highlighting common processes in the impact of environmental stressors and pollutants  
220 leading to the disruption of the reproductive capacity of wild species, domesticated animals or  
221 humans, in the frame of the “One health” concept.

222

## 223 **2.2 Bases of phylogeny**

224 In order to investigate and compare neuroendocrine systems in an evolutionary perspective, it  
225 is necessary to relate the data obtained in a given species to the phylogenetical position of this  
226 species. Phylogeny of vertebrates and metazoa is by itself an ongoing research topic, based on  
227 multiple disciplinary fields such as paleontology, comparative anatomy, embryology, and  
228 more recently molecular systematics and phylogenomics. We are using, in the present  
229 manuscript, recent and largely consensual advances in vertebrate and metazoa phylogeny.

230

### 231 2.2.1. Phylogeny of vertebrates (Figure 2)

232 All vertebrate species belong to a monophyletic clade, *i.e.* a group of species that consists of  
233 all the descendants of a common ancestor. Among the vertebrate clade, several “subclades”  
234 can be distinguished. The most ancient (or most basal) is represented by cyclostomes (such as  
235 lampreys and hagfish). Cyclostomes are the sister clade of all other vertebrates characterized  
236 by the innovation of the jaws and therefore called gnathostomes. The gnathostome clade is  
237 further divided into two sister clades, the chondrichthyans (such as sharks and ray fishes) and  
238 the osteichthyans. The osteichthyan clade is further divided into two major sister clades: (i)  
239 the actinopterygian clade that encompasses teleost fishes (the largest current group of  
240 vertebrates with more than 25,000 species including most fisheries, aquaculture and model  
241 fish species) and some other “fish” clades such as holosteans (gar); (ii) the sarcopterygian  
242 clade that encompasses the tetrapods including mammals, and also some “fish” species such  
243 as the coelacanth, representative species of actinistia, a basal group among sarcopterygians.  
244 The current vertebrate phylogeny highlights in particular that the name “fish” is not by itself  
245 phylogenetically relevant, as it may apply to species from very distinct vertebrate clades, such  
246 as cyclostomes (lampreys), chondrichthyans (sharks), actinopterygians (gar, zebrafish), and  
247 sarcopterygians (coelacanth). Thus, human and coelacanth are phylogenetically closer than  
248 coelacanth and zebrafish or than human and zebrafish.

249

250 2.2.2. Phylogeny of metazoa (Figure 3)

251 While the broad lines of vertebrate phylogeny remained similar to the traditional classification  
252 based on paleontology, comparative anatomy and embryology, the recent advances in  
253 molecular systematics and phylogenomics largely challenged the classification of other  
254 metazoa (8, 170). We present here a most consensual phylogeny of the major clades of  
255 metazoa. Bilateria, the major clade among metazoa, gather animals with a bilateral symmetry  
256 (at least at the embryonic stage) and with three tissue layers (endoderm, mesoderm, ectoderm)  
257 during embryogenesis so that they are also called triploblastics. Besides bilateria, the  
258 respective classification of the basal groups of metazoa, such as cnidaria (corals), porifera  
259 (sponges), and others, is still largely under debate. Bilateria encompass two major clades, on  
260 the one hand, deuterostomes which include chordates and among chordate the vertebrates, and  
261 on the other hand, protostomes which include two major sister clades, ecdysozoa (flatworms,  
262 insects, crustaceans,..) and lophotrochozoa (annelids, mollusks, ...) (8, 608).

263

264 2.2.3. Phylogeny of molecular families versus phylogeny of species

265 Phylogenetical analyses of protein families of interest, such as hormones / neuropeptides /  
266 receptors / enzymes, potentially involved in the neuroendocrine control of reproduction, are  
267 performed in order to compare sequences between various vertebrate or metazoa species.  
268 Phylogenetic trees of molecular families highlight protein sequence conservation or  
269 divergence and lead to hypotheses on evolutionary relationships between sequences and  
270 possible functional variations. The phylogenetic tree of a given protein family does not  
271 always follow the phylogenetic tree of the corresponding species, which makes it possible to  
272 infer further hypotheses on the duplication, divergence, convergence and loss of  
273 corresponding protein-coding genes.

274

275 **2.3. Origin and fate of duplicated genes**

276 Gene duplications produce so-called paralogous genes, and are considered as major drivers of  
277 evolution, as they provide new gene pools allowing the emergence of novel functions, organs  
278 and regulatory processes.

279

280 **2.3.1. Intra-gene duplication**

281 Besides gene duplication, intra-gene duplication of exons also contributes to the evolution of  
282 neuroendocrine systems, as exemplified by the multiple copies of thyrotropin-releasing  
283 hormone (TRH) peptide coded by the TRH gene (397), or by up to three homologous  
284 gonadotropin-inhibiting hormone (GnIH) peptides coded by the GnIH gene (see section 5).  
285 Intra-gene peptide duplication may lead to the amplification of peptide production or, after  
286 mutations of some of the duplicated sequences, to the production of distinct peptides with  
287 potentially differential activities.

288

289 **2.3.2. Local gene duplication**

290 Gene duplication produces paralogous genes and may originate from local genomic events,  
291 targeting either a specific gene or a limited genomic region. If no major genomic  
292 restructuration occurs afterwards, local duplication events can be traced back in extant species  
293 genomes by tandem position or by a relatively close position of the paralogous genes on the  
294 same chromosome. For instance, a local gene duplication in early gnathostomes is  
295 hypothesized to be at the origin of the two gonadotropin receptors, LH receptor and FSH  
296 receptor, positioned in tandem in tetrapods, including human, as well as in basal  
297 sarcopterygian (coelacanth) and basal actinopterygian (gar) (468). The conservation of the  
298 tandem position throughout vertebrate evolution may be related to conserved coordination of

299 gene expression, *via* chromatin accessibility and common regulatory factors. In the primate  
300 lineage, a specific gene duplication of the LH beta subunit (LH $\beta$ ) gene, that occurred much  
301 more recently, is at the origin of the chorionic gonadotropin beta subunit (CG $\beta$ ), involved  
302 in the regulation of an innovative reproductive organ, the placenta; further CG $\beta$  duplications  
303 led to up to six hCG $\beta$  genes in human arranged in a gene cluster together with the LH $\beta$  gene  
304 on chromosome 19 (for review: (522)) (see section 3).

305

### 306 2.3.3. Whole genome duplication

307 Gene duplications may also originate from whole genome duplication events (WGD), as  
308 proposed by Ohno in vertebrates (548). Gene paralogs stemming from WGD are thus named  
309 “ohnologs” by certain authors. It is now consensually admitted that two successive WGD,  
310 referred to as “1R” and “2R”, for “first round” and “second round” of whole genome  
311 duplications, have occurred at the base of the vertebrate lineage (Figure 2), even though the  
312 exact timing of the second WGD is still under discussion (for review: (284)). These 1R and  
313 2R WGD, which occurred about 450 Million years ago, are still traceable in the current  
314 human genome, by fourway paralogous regions (paralogons) covering a large proportion of  
315 the human genome (145). It has been advanced that the two rounds of WGD may have  
316 contributed to the evolutionary success of the vertebrate lineage.

317 Genome sequencing of teleost fish models, such as medaka, fugu or zebrafish, revealed an  
318 additional WGD, referred to as 3R (for 3<sup>rd</sup> round of WGD) (for review: (484)) (Figure 2).

319 When occurred this 3R WGD in the actinopterygian lineage event, remained under debate  
320 until recently, as more genomes became available including for species of key phylogenetic  
321 positions such as a non-teleost actinopterygian, an holostean, the spotted gar (72), or a basal  
322 teleost, an elopomorph, the eel (273, 274). These studies concluded that, in the course of  
323 actinopterygian evolution, the 3R would have specifically occurred in the teleost lineage, in

324 an early teleost ancestor before the emergence of the basal group of elopomorphs. This 3R  
325 event is thus also referred to as TWGD or TGD (teleost whole genome duplication) (586), and  
326 is hypothesized to have contributed to the diversification of this group, the largest among  
327 vertebrates.

328

#### 329 2.3.4. Definition of homologous, orthologous, paralogous, or ohnologous genes

330 These definitions are important in order to analyze the molecular and functional relationships  
331 and diversification processes among molecular families including those involved in  
332 neuroendocrine systems. Homologous genes are present in the same or different species, and  
333 all derive from a common ancestral gene. Homologous genes include orthologous, paralogous  
334 and ohnologous genes. Orthologous genes are genes present in different species and evolved  
335 from a common ancestral gene in the course of speciation (emergence of new species over the  
336 course of evolution). Paralogous genes are present in the same or in different species and  
337 result from the duplication of a common ancestral gene, either *via* local gene specific  
338 duplication or *via* WGD. Ohnologs are paralogs resulting from WGD.

339

#### 340 2.3.5. Fate of duplicated genes

341 Gene duplication produces two paralogs, which initially exert the same redundant function. In  
342 most cases, this redundancy leads to a rapid loss of one of the two paralogs, *via* accumulation  
343 of mutations due to redundancy-related lack of selective pressure. However, both paralogs  
344 may be conserved after duplication due to evolutionary selection related to amplification of  
345 initial function, or sharing of initial pleiotropic functions (subfunctionalisation), or emergence  
346 of a new function (neofunctionalisation). Duplications followed by gene amplification,  
347 subfunctionalisation, neofunctionalisation, or loss, are involved in the evolutionary scenarii of  
348 the neuroendocrine gonadotropic axis.

349

350 **3. Origin and evolution of gonadotropins, the pituitary relay between brain and gonads**  
351 **in vertebrates**

352 **3.1. Vertebrate gonadotropins**

353 3.1.1. Discovery of pituitary gonadotropins

354 A role of pituitary gland activity on the development of gonads was suggested as far back as  
355 1910 (132) by studies showing that hypophysectomy leads to an atrophy of genital organs.  
356 The first experiment describing the stimulatory effects of bovine pituitary extracts on rat  
357 ovarian growth and luteinization was published in 1922 (180), demonstrating that the anterior  
358 part of the pituitary gland contains a gonadotrophic factor. It took a decade before this factor  
359 appeared to be composed of two distinct fractions in ewes, one responsible for growth of  
360 ovarian follicles and the other for luteinization (190). These two fractions were accordingly  
361 named follicle-stimulating hormone (FSH) and luteinizing hormone (LH), respectively.  
362 Technical improvement in glycoprotein purification methods, and notably the development of  
363 ion-exchange chromatography, made possible a better assignment of the roles of LH and  
364 FSH. In hypophysectomised rats, it was found that FSH acts on granulosa cells of the  
365 Graafian follicles and LH on the *theca interna* and ovarian interstitial tissue, the combination  
366 of the two stimulating estrogen secretion, ovulation and *corpus luteum* formation (834). The  
367 dimeric nature of LH, first suggested by Li and Starman (1964), was confirmed by Papkoff  
368 and Samy (1967) (576) who characterized two dissimilar subunits in ovine LH. The  
369 biological activity of the reconstituted dimer was finally demonstrated by De la Llosa and  
370 Jutisz (1969) (382).

371 Another factor was also purified from the bovine pituitary gland that stimulates the thyroid  
372 (126). Homology between this thyroid-stimulating hormone (TSH) and the gonadotropins was  
373 suggested after experiments demonstrating that mammalian LH and FSH are able to stimulate

374 the thyroid of teleost fish (203, 204). Soon after, it was established that LH, FSH and TSH  
375 have one interchangeable subunit, the glycoprotein hormone (GPH)  $\alpha$  subunit, whereas the  $\beta$   
376 subunit determines the hormonal specificity (609). The first amino acid sequence of an LH  $\alpha$   
377 subunit was deciphered in 1971 (428) and its identity with the FSH  $\alpha$  subunit was  
378 demonstrated in 1974 (710). The first sequences of  $\beta$  subunits also appeared in the early 70s  
379 ((428) for LH; (417) for TSH; (710) for FSH), confirming the homology between thyrotropin  
380 and gonadotropin  $\beta$  subunits. It was thus established by the mid-seventies that the two  
381 pituitary gonadotropins and the thyrotropin belong to a family of dimeric glycoproteins that  
382 share the  $\alpha$  subunit, whereas the three  $\beta$  subunits, which confer hormonal specificity, are  
383 derived from a common evolutionary ancestor.

384 The demonstration of the existence of two pituitary gonadotropins was laboriously extended  
385 to all tetrapod groups (for review: (309)); teleosts ((758), for review: (407); chondrostei (628);  
386 dipnoi (627); chondrichthyans (629)), showing that all jawed vertebrates are provided with  
387 the same pituitary gonadotropic molecules. Up to now, a single gonadotropin has been  
388 discovered in the cyclostomes, in hagfish (819) and in lamprey (741) even though, in this later  
389 species, the  $\alpha$  subunit has still to be identified (739). Glycoprotein hormones (*stricto sensu*),  
390 like all other pituitary hormones, are not found before the emergence of vertebrates (83).

391

### 392 3.1.2. Non-pituitary gonadotropins

393 The presence of a luteotrophic factor in urine of pregnant women was first observed in 1927  
394 (24), leading to the development of the first pregnancy detection test. This gonadotropic  
395 factor was shown to be produced by placental cells in culture (327) and more specifically by  
396 syncytiotrophoblast cells (485) and named human chorionic gonadotropin (hCG). The  
397 similarity with LH in terms of biological activity was rapidly observed (439) and its ability to  
398 bind the same receptor as LH was later demonstrated (92), hence the LH-CG receptor naming.



399 Eventually, the close structural relatedness of hCG to LH was confirmed when sequencing  
400 data were made available (765). The human CG $\beta$  subunit has later been found to be expressed  
401 in the pituitary (61) and testis (53, 583). Pregnant mare serum was also shown to contain a  
402 gonadotropic factor (123) that was called pregnant mare serum gonadotropin (PMSG) before  
403 its origin as a chorionic cell product was recognized and its name changed to equine chorionic  
404 gonadotropin (eCG). It was later demonstrated that, unlike their human counterparts, eCG and  
405 eLH $\beta$  subunits are encoded by the same gene (702). LH $\beta$  subunit expression also occurs in  
406 the placenta of a marsupial (482) and possibly in diverse eutherian mammals (119).

407

### 408 3.1.3. Extra-pituitary expression of LH and FSH

409 LH and FSH are also expressed in the gonads and the brain. The first report of gonadal  
410 expression of gonadotropin described the immunological detection of LH in human and rat  
411 Leydig cells and that of FSH in Sertoli cells (849). LH $\beta$  subunit transcripts were further  
412 characterized in elongated spermatids in the rat (910), and were found to possess an extended  
413 5' UTR end resulting in the same coding sequence as the pituitary transcript apart from the  
414 first three amino acids of the signal peptide (909). In female rat, FSH $\beta$ , LH $\beta$  and the common  
415  $\alpha$  subunits are produced by theca cells, *corpora lutea* and oocytes, whereas granulosa cells  
416 only express LH subunits. The ovarian LH $\beta$  subunit gene uses the same alternative promoter  
417 as in the testis (680). Expression of this transcript is reduced by administration of PMSG,  
418 which activates both LH and FSH receptors in non-equine species (249, 419). Interestingly, *in*  
419 *vitro* granulosa cell expression of LH $\beta$  mRNA is also decreased in response to a GnRH  
420 agonist, likely through FSH receptor activation (425). Both LH and FSH are expressed in the  
421 Siberian hamster ovary with levels varying according to the estrus cycle but in an opposite  
422 fashion as in the pituitary (699). No specific role has been described for these gonadal  
423 gonadotropins. Whether gonadal expression of gonadotropins is a common feature in

424 mammals or other tetrapods remains to be clarified but this seems to be the case in teleosts (4,  
425 172, 626, 705, 706, 728, 879, 882). It has to be noted that the seabream ovarian LH $\beta$  subunit  
426 transcript is also extended in its 5' end, suggesting the existence of a conserved alternative  
427 and gonadal-specific promoter for the LH $\beta$  gene. However, the expression of the two ovarian  
428 gonadotropins is up-regulated by GnRH in the sea bream (879). Ovarian LH $\beta$  subunit  
429 expression in the sole also varies according to the ovarian maturation stage, like in the  
430 pituitary (706).

431 Another important site of expression of gonadotropins in teleosts is the brain (172, 496, 580,  
432 705). It was notably observed in a cichlid that the two gonadotropins expressed in the preoptic  
433 area potentially play a regulatory role on pituitary expression of gonadotropins (574). LH is  
434 also expressed in rat hypothalamus in a manner that depends on the presence of a functioning  
435 pituitary (177). Brain gonadotropins may be involved in neuronal regulation of steroid  
436 synthesis (427).

437

#### 438 3.1.4. Main regulators of gonadal function

439 Genetic mice models where either the FSH $\beta$  (380) or LH $\beta$  (442) subunit or the FSH (1) or LH  
440 (908) receptor is deleted show that ovarian differentiation and growth are not dependent on  
441 pituitary gonadotropin stimulation even if FSH stimulates proliferation of granulosa cells in  
442 pre-antral follicles. In teleosts, timing of pituitary gonadotropin expression as compared to  
443 gonadal differentiation also pleads for a process that does not involve gonadotropins (518).  
444 Mammalian FSH receptors are expressed in granulosa cells from the secondary follicle stage  
445 (follicles with at least two layers of granulosa cells) onward and LH receptor expression on  
446 theca cells rapidly follows. After puberty onset, FSH is indispensable for the cyclic  
447 recruitment of follicles (after oocytes have reached their maximal size) and terminal  
448 folliculogenesis. LH is involved in the final steps of pre-ovulatory follicle maturation,

449 allowing meiosis to resume and inducing ovulation (6, 239, 474). LH is responsible for the  
450 production of aromatizable androgens by theca cells. These androgens then reach granulosa  
451 cells where they are converted into estrogens under the stimulatory action of FSH (371, 708).  
452 At mid-cycle, granulosa cells of recruited follicles acquire LH receptor expression and initiate  
453 progesterone production, the stimulation of which is later relayed by hCG. Progesterone is  
454 essential for ovulation and for preventing further follicle maturation.

455 As for the ovary, pituitary gonadotropins are not required for testicular differentiation but  
456 FSH stimulates proliferation of Sertoli cells in prepubertal testis (399, 448). At puberty onset,  
457 FSH promotes Sertoli cell function but its importance for spermatogenesis depends on  
458 taxonomic groups (297). LH stimulates proliferation of adult-type Leydig cells responsible  
459 for the production of steroid hormones (792) and activates steroidogenesis and therefore,  
460 spermatogenesis.

461

#### 462 3.1.5. A role for gonadotropin subunit monomers or homodimers?

463 The gonadotropin receptors are poorly activated by gonadotropin subunit monomers or  
464 homodimers. However, the hCG $\beta$  subunit is produced in large excess in most epithelial  
465 cancers and is believed to play an autocrine angiogenic and anti-apoptotic role, possibly  
466 through interacting with components of cysteine-knot growth factor (and notably TGF $\beta$ )  
467 receptor complexes (124, 303). Free glycoprotein hormone  $\alpha$  subunit is also produced in  
468 excess by the pituitary and secreted throughout the menstrual cycle (255) and by the placenta  
469 (635). In the placenta, the free  $\alpha$  subunit is much more potent than the intact hCG in acting  
470 synergistically with progesterone to induce decidualization of endometrial stromal cells (512)  
471 and stimulates prolactin release from human decidual cells (65). Interestingly, the free  $\alpha$   
472 subunit stimulates differentiation and proliferation of prolactin-producing cells in the foetal  
473 and postnatal mammalian pituitary gland (31, 42, 95) and prolactin release by frog pituitary

474 cells in culture (544). The action of the free  $\alpha$  subunit is not mimicked by LH or hCG  
475 heterodimer, demonstrating that the free  $\alpha$  subunit, like hCG $\beta$ , may have a specific role  
476 independent on the activation of the gonadotropin receptors.

477

### 478 **3.2. Structural characteristics of gonadotropins**

479 The glycoprotein hormones are non-covalently linked heterodimers composed of an  $\alpha$  subunit  
480 that is common to all gonadotropins and TSH and a specific  $\beta$  subunit that confers biological  
481 specificity. In all species, the pituitary gonadotropin subunits are transcribed from single  
482 genes although some teleost fishes may be provided with two  $\alpha$  subunit genes, resulting from  
483 genome duplication in recent ancestors (407). The  $\alpha$  subunit gene contains four exons, the  
484 first of which encoding the 5' untranslated region, the three others coding for a 92-100 amino  
485 acid-long protein excluding the signal peptide. All pituitary glycoprotein hormone  $\beta$  subunit  
486 genes contain three exons, the first one coding for the 5' untranslated region and, in some  
487 species, part of the LH $\beta$  signal peptide. The second intron-splicing site is located at the same  
488 position in all  $\beta$  subunit genes.

489

#### 490 **3.2.1. Global folding and general characteristics**

491 The most obvious characteristics shared by the  $\alpha$  and all  $\beta$  subunits are the presence of one or  
492 two glycosylation sites at conserved position and a conserved arrangement of cysteine  
493 residues. The crystal structure of hCG was resolved almost simultaneously by two different  
494 laboratories (390, 883). The structure of FSH was later deciphered (206) demonstrating that  
495 the overall folding pattern of the two glycoprotein hormone dimers is very similar. Taking  
496 into account the high degree of conservation of the glycoprotein hormone subunits in  
497 vertebrates and in particular the special cysteine arrangements (with the exception of teleost  
498 FSH $\beta$  subunit as related below), it is tempting to assume that this organization is conserved

499 among vertebrate gonadotropins. Both the  $\alpha$  and  $\beta$  subunits belong to the large cysteine-knot  
500 family of proteins and more specifically to the TGF- $\beta$  subfamily (13, 28, 271). They present a  
501 similar folding producing flat elongated structure organized in a head to tail orientation in the  
502 dimer. Each subunit contains four antiparallel  $\beta$  strands tightened with a central cysteine-knot  
503 motif from which three hairpin loops are deployed so that loops 1 and 3 from one subunit are  
504 intertwined with loop 2 of the other subunit. The determining knot motif involves six cysteine  
505 residues from each subunit (Figure 4). Four of them bridge  $\beta$ 2 and  $\beta$ 4 strands with two  
506 disulphide bonds forming an eight-residue ring through which penetrates a third disulphide  
507 bond linking the two other cysteine residues from the  $\beta$ 1 and  $\beta$ 3 strands. The  $\alpha$  subunits  
508 contain a total of 10 cysteine residues, the two additional pairs linking the  $\beta$ 1 to  $\beta$ 2 and  $\beta$ 3 to  
509  $\beta$ 4 strands tying the amino- and carboxy-termini to the core molecule. The  $\beta$  subunits have  
510 twelve cysteine residues. In addition to those involved in the knot, two of them form a  
511 disulphide bridge linking together the tips of loop 1 and loop 3 and two others, seven amino  
512 acids apart from each other, are involved in an intra-chain bonding located at the end of the  
513  $\beta$ 4 strand. The last two cysteine residues form a disulphide bridge between loop 1 and the C-  
514 terminal extremity that constitutes the buckle of the “fastening belt” that wraps the carboxy-  
515 end of the  $\beta$  subunit around the  $\alpha$  subunit loop 2. This latter structure is of crucial importance  
516 for maintaining the stability of the dimer at the low concentrations encountered in the  
517 peripheral circulation (13, 888).

518

### 519 3.2.2. $\alpha$ subunits

520 The  $\alpha$  subunit is globally well conserved across vertebrates, a feature that is expected since a  
521 mammalian  $\alpha$  subunit is able to associate with a teleost LH $\beta$  subunit to produce a heterodimer  
522 that retains most of the biological activity of the native teleost LH (78, 201). Such stability in  
523 structure probably results from the constraints imposed on the  $\alpha$  subunit that has to efficiently

524 associate with three different  $\beta$  subunits. The  $\alpha$  subunits show alternate variable and  
525 conserved regions. The variable regions, where insertions/deletions are encountered, are  
526 located at the level of loop 1 and loop 3 as well as in the amino-terminal end of the protein.  
527 On the contrary, the most conserved regions lie in  $\beta 2$ ,  $\beta 3$  and  $\beta 4$  strands and in loop 2. Great  
528 apes  $\alpha$  subunit sequences are characterized by a 4-amino acid-long deletion in the amino-  
529 terminal end, at an intron-splicing site. Some teleostean or chondrosteian sequences also show  
530 deletions at this site. Surprisingly, mutations of cysteine codons occur in some sequences.  
531 This is particularly the case in hagfish (*Epatretus atami*) where cysteines C2 and C4 are  
532 replaced by an arginine and a tyrosine, respectively. C2 is usually involved in the disulphide  
533 bridge with C7 that is part of the cysteine knot motif whereas C4 bridges with C1 to move  $\beta 1$   
534 and  $\beta 2$  strands closer to each other (Figure 4). There is only one clone identified and  
535 sequenced in hagfish (819), so these apparent mutations might result from artefacts in the  
536 cloning or sequencing process. Nevertheless, a different assignment of the cysteine residues  
537 may be operating in this subunit with C1 replacing C2 in the bonding with C7 and the absence  
538 of bonding between  $\beta 1$  and  $\beta 2$  strands. Substitutions in cysteine residues are also observed in  
539 the  $\alpha$  subunit of the Elephant shark (*Callorhynchus milii* - NCBI NM001292594.1) where C9  
540 is replaced by an arginine, of the Tiger salamander (*Ambystoma tigrinum* - CN048018.1) with  
541 C6 also replaced by an arginine, and the Arabian camel (*Camelus dromedarius* -  
542 XM010987723.1) (but not *C. bactrianus* - XM\_006178591.1 and *C. ferus* -  
543 XM\_010948966.1) with C2 replaced by an aspartic acid. Whether these substitutions  
544 correspond to sequencing errors or to true mutations remains to be clarified. Two  
545 glycosylation sites are overall conserved except in crows (*Corvus cornix* - XM010404527.2,  
546 *C. brachyrhynchus* - XM\_08640241.2 and *C. macrorhynchus* - AB563175.1) where the  
547 asparagine at the junction of loop 2 with the  $\beta 3$  strand is replaced by an aspartic.  
548 Carbohydrate side chains are predicted to impact on synthesis and storage, on receptor

549 binding and signal transduction, and eventually on metabolic clearance of gonadotropins  
550 (271). Since three species at least out of this taxonomic group share this substitution, a  
551 compensatory mechanism should occur for these gonadotropins to assemble and elicit full  
552 biological activity.

553

### 554 3.2.3. LH $\beta$ subunits

555 LH $\beta$  subunits are 112-121 amino acid-long, with the exception of equine LH $\beta$  where a 10  
556 nucleotide-long deletion induces a shift in the reading frame leading to an extension of the  
557 carboxy-terminal end in very much the same as for hCG $\beta$  (702). The lamprey gonadotropin  $\beta$   
558 subunit (*Petromyzon marinus* - AY730276.1) is also extended at the carboxy-terminal side. If  
559 it is an ancestral characteristic, it has not been conserved in the hagfish (*Eptatretus atami* -  
560 AB546741.1), another cyclostome species. In comparison to the  $\alpha$  subunit, there are no major  
561 insertions/deletions within the mature proteins apart for single or two amino acid-long  
562 deletion events in some species, occurring in the region of loop 2. The degree of conservation  
563 at the amino acid level is lower than in the  $\alpha$  subunit. In addition to the twelve cysteine  
564 residues, conserved amino acids are found mostly within the  $\beta$  strands but also in the loops  
565 that seem to be more constrained than in the  $\alpha$  subunit. LH and TSH $\beta$  subunits usually have  
566 one glycosylation site conservatively located in the  $\beta$ 1 and the  $\beta$ 2 strand, respectively,  
567 whereas FSH $\beta$  subunits have both of them. One glycosylation site is actually found in a  
568 conserved position in almost all LH $\beta$  subunits. It is to be noted that, in the spotted green  
569 pufferfish (*Tetraodon nigroviridis* - CR706772.2) and in the fugu *Takifugu rubripes* -  
570 XM\_003963794.2), two related species, the unique glycosylation site is displaced to the  
571 carboxy-terminal end, between C10 and C11, two cysteine residues that are linked by a  
572 disulphide bridge. The zebrafish (*Danio rerio* - BC162111.1) LH $\beta$  subunit has a second site  
573 also at this position. Two glycosylation sites are also found in LH $\beta$  subunits in primates

574 except in human. The two sites are located as in FSH $\beta$  subunits. Remarkably, the  
575 gonadotropin  $\beta$  subunit of cyclostomes, the most basal extant vertebrate species, is provided  
576 with the same two glycosylation sites. It is not known whether cyclostomes have only one or  
577 two pituitary gonadotropins. All TSH $\beta$  subunits have two additional amino acids inserted in  
578 loop 2 (467) so that the hormone identified in cyclostome that do not have these two  
579 additional amino acids most likely belongs to the gonadotropin lineage. It is not known if this  
580 GTH is homologous to LH or FSH or is ancestral to LH and FSH, hence the naming GTH for  
581 gonadotropic hormone (739, 741, 819). A third potential glycosylation site is found in the  
582 lamprey GTH $\beta$  subunits in their specific carboxyl extension.

583

#### 584 3.2.4. CG $\beta$ subunit

585 The primate CG $\beta$  subunit genes arose from a duplication of the LH $\beta$  subunit gene just before  
586 the divergence between New World and Old World Monkeys (see 3.3 Origin and evolution of  
587 gonadotropins). These sequences are characterized by a frame shift in the coding sequence  
588 due to a single nucleotide deletion, 8 codons before the LH $\beta$  stop codon. This event generated  
589 a carboxyl extension of the encoded protein including several serine residues that are O-  
590 glycosylated in trophoblast cells. One of the consequences of this higher glycosylation level is  
591 the higher half-life of hCG in the blood when compared to hLH (112).

592 Equine CG $\beta$  subunits are encoded by the LH $\beta$  subunit gene expressed in the trophoblast.  
593 Surprisingly, a similar carboxyl extension phenomenon occurred in equidae albeit due to a  
594 different mechanism. In equidae, a ten nucleotide-long deletion occurred, leading to the same  
595 frame shift as in primates (702).

596

#### 597 3.2.5. FSH $\beta$ subunit

598 The less conserved subunit is the  $\beta$  subunit of FSH. This is mainly due to their high



599 evolutionary rate in the teleost lineage (627). Up to twelve amino acid residues are deleted in  
600 the most derived teleosts, the acanthomorphes, essentially in the loop regions. The most  
601 spectacular feature of the teleost FSH $\beta$  subunits is the rearrangement of the cysteine residues.  
602 Although conserved in most basal teleosts including ostariophyses (carp and catfish related  
603 species), cysteine C3, which is involved in the latch of the seatbelt loop with C12, is then lost.  
604 The seatbelt loop is determinant for the ability of the dimer to keep associated once diluted in  
605 the general circulation. Teleosts have developed alternative means to ensure the seatbelt to be  
606 fastened. In more recently emerged taxonomic groups (clupeocephala), an additional cysteine  
607 (which will be referred to as C0) is found at the amino-terminal end that is extended to the left  
608 and includes amino acids aligned to the signal peptide in other taxonomic groups  
609 (elopomorphes (341); salmonids (758, 761); percomorphes (225, 226, 373, 553, 866)). It was  
610 found by mutating the hCG  $\beta$  subunit so as to reproduce this teleost-type cysteine pattern that  
611 the seatbelt could be latched by a disulphide bridge between C0 and C12 (888). In  
612 cyprinodontiformes, the mature sequence after cleavage of the signal peptide does not include  
613 C0 (709). Instead, another cysteine residue is found either two amino acids downstream of the  
614 usual C3 position or just following C5, and it is likely that these subunits use the natural  
615 gonadotropin  $\beta$  subunit folding pattern. The cleavage site of the signal peptide has not been  
616 characterized so far in ostariophyses. If the mature protein includes C0, their sequence would  
617 totalise 13 cysteine residues. Another striking feature in FSH $\beta$  subunits is the more flexible  
618 position and number of glycosylation sites. FSH $\beta$  subunits usually have two glycosylation  
619 sites. The one on the  $\beta$ 1 strand is generally well conserved except in some teleosts. The other  
620 site is absent or displaced to variable regions in most teleost species. In an extreme case, the  
621 Atlantic halibut (AJ417768), the FSH $\beta$  subunit is deprived of any glycosylation site. At the  
622 opposite, a third site is occasionally found in some sharks, teleosts, turtles, birds and  
623 crocodiles. The unique pattern of cysteine arrangements or glycosylation states of teleost

624 FSHs offers remarkable examples to investigate structure-function relationships. It is to be  
625 noted that most of these studies have been performed on mammalian hormones expressed in  
626 mammalian cells cultured at 37°C and thus, far from the low temperature at which most  
627 teleost gonadotropin assemble and act.

628

### 629 **3.3. Origin and evolution of gonadotropins**

#### 630 3.3.1. Recent discovery of additional members of GPH family in mammals

631 In search for ligands for orphan G-protein-coupled receptors in the human genome, Hsu and  
632 his colleagues identified two new glycoproteins, also present in other vertebrate genomes, that  
633 share numerous characteristics with the glycoprotein hormone subunits (293). They were  
634 called GPA2 (GPHA2) and GPB5 (GPHB5) as for the second glycoprotein hormone related  $\alpha$   
635 subunit and the fifth glycoprotein hormone related  $\beta$  subunit. GPA2 and GPB5 are able to  
636 associate into heterodimer and the heterodimer is able to stimulate the TSH receptor but not  
637 the gonadotropin receptors (523). The heterodimer was therefore named thyrostimulin.

638

#### 639 3.3.2. Ancient origin of GPA2/GPB5 before the emergence of vertebrates

640 These glycoproteins, which are found in most bilateria (293, 581, 640, 645, 663), are now  
641 referred to as GPA and GPB in invertebrates that lack the classical glycoprotein hormone  
642 subunits (83). In most investigated invertebrates, the genes encoding GPA and GPB are  
643 located close to each other without intervening genes (662), suggesting a functional or  
644 regulatory link between them. A leucine-rich repeat-containing receptor related to the  
645 glycoprotein hormone receptors (279, 437) was also identified in several invertebrate species  
646 (645). The fly receptor (LGR1) binds and is activated by the fly GPA/GPB heterodimer (749).  
647 Interestingly, in the parasitic wasp *Nasonia* (266), the leech *Helobdella* (832) and the  
648 myriapode *Strigamia* (833), three species that lack GPA and GPB, the homologous receptor is

649 also absent. Altogether, these data strongly suggest that the vertebrate glycoprotein hormone  
650  $\alpha$  and  $\beta$  subunits derive from a duplication of GPA and GPB, respectively, early after the  
651 emergence of vertebrates.

652

### 653 3.3.3. A limited role for vertebrate GPA2/GPB5 in reproduction

654 No consensus role for GPA and GPB in invertebrates have been proposed to date even if they  
655 may have been involved in specific functions in different species (640). In vertebrates, few  
656 data are yet available. Like GPH $\alpha$ , GPA2 harbours two glycosylation sites, the position of the  
657 one just after loop 2 being conserved. The other one is located on the  $\beta$ 1 (by analogy with  
658 GPH $\alpha$ ) strand. GPA2 lacks the cysteine residues involved in the bonding between  $\beta$ 1 and  $\beta$ 2  
659 strands. It contains, in addition to the six residues composing the cystine-knot motif, two  
660 cysteine residues that are believed to form a disulphide bridge between loops 1 and 3. These  
661 loops appear longer than in GPH $\alpha$ . GPB5 is encoded by two exons with the same intron/exon  
662 splicing site as for GPH $\beta$  subunits. It harbours only one glycosylation site, located on the  $\beta$ 3  
663 strand, just following the cysteine knot motif. The main difference between the GPB5 and  
664 GPH $\beta$  subunits is the absence of the carboxy extension that constitutes the seat belt. As  
665 mentioned earlier, this seat belt is essential for the stability of the dimer so it is believed that a  
666 GPA2/GPB5 dimeric structure may not be maintained once diluted into the general  
667 circulation (13). The thyrostimulin naming of the GPA2/GPB5 dimer is based on the ability  
668 of the recombinant dimer to stimulate the TSH receptor but not gonadotropin receptors (523,  
669 552). It is further supported by the hyperthyroid phenotype observed in mice chronically  
670 injected with the recombinant dimer (552) and in mice ubiquitously overexpressing GPB5  
671 (443). In the latter case, the thyrotropic effect was attributed to the dimer formed by the  
672 overexpressed GPB5 with the GPA2 naturally expressed in the thyroid to activate the TSH  
673 receptor. However, the thyrostimulin concept is not supported by the absence of obvious

674 thyroid phenotypes in GPB5 knocked-out mice (443, 552) except for a transient  
675 hypothyroxinemia in juveniles (907). Surprisingly, no GPA2-knocked-out mice have been  
676 described. The GPA2/GPB5 dimer is 10 to 20 times more active than TSH in stimulating TSH  
677 receptor (552). Taking into account the wide variety of tissues expressing GPA2 and/or GPB5  
678 (293, 520, 523, 552) and the TSH receptor (874), it is conceivable that the GPA2/GPB5 dimer  
679 may act as a local activator of TSH receptor. However, numerous tissues do not seem to co-  
680 express GPA2 and GPB5 so that, as for the free  $\alpha$  and hCG $\beta$  subunits, other modes of action  
681 as monomer or homodimer must be explored for GPA2 and GPB5. In any case, no  
682 abnormalities in fertility were mentioned in GPB5 knocked-out mice (443, 552, 906, 907) so  
683 that a major role of the GPA2/GPB5 dimer or of GPB5 by itself in the control of reproduction  
684 is very unlikely.

685

#### 686 3.3.4. Evolution of the GPH family in vertebrates

687 Taking advantage of the availability of sequenced genomes from species of phylogenetical  
688 significance, comparative synteny analysis between amphioxus (a pre-vertebrate chordate)  
689 and vertebrate glycoprotein hormone subunit loci allowed the reconstruction of their  
690 evolutionary history in vertebrates (467, 663). A first local duplication of a tandemly  
691 organized GPA and GPB locus occurred just before the radiation of vertebrates and the  
692 emergence of cyclostomes, giving rise to the vertebrate forms of GPA and GPB (GPA2 and  
693 GPB5) and to the ancestral glycoprotein hormone (ancGPH)  $\alpha$  and  $\beta$  subunits (Figure 5). The  
694 *ancgpha* gene was maintained close to *gpa2-gpb5* whereas the *ancgph $\beta$*  gene was translocated  
695 soon after the duplication. After the first round of WGD (1R), one copy each of *gpa2* and  
696 *gpha* was lost from one of the duplicated *gpa2-gpha-gpb5* loci, leaving two copies of *gpb5*,  
697 *i.e.* *gpb5a* in the remaining *gpa2-gpha* locus and *gpb5b*. After the second WGD (2R), only  
698 one copy of the duplicated *gpb5b* was retained. From the duplicated *gpa2-gpb5a-gpha* locus,

699 one copy of the duplicated *gpha* and one copy of the duplicated *gpa2-gpb5a* were lost,  
700 leaving a single *gpha* encoding gene and the remaining single copies of the tandemly  
701 organized *gpa2* and *gpb5a*. These two genes were kept in tandem in teleosts (663) and in the  
702 Coelacanth (Ensembl scaffold JH127632; unpublished data). *gpb5a* was lost in tetrapods that  
703 only retained *gpb5b*. The ancestral form of *gphβ* that was somehow parted from its original  
704 environment soon after the original, local duplication was duplicated at the 1R giving rise to  
705 an ancestral the gonadotropin β subunit gene (*ancgthβ*) and to an ancestral TSHβ subunit gene  
706 (*anctshβ*) (Figure 5). The 2R duplicated the *ancgthβ* to generate *lhβ* and *fshβ* genes. One of  
707 the duplicated copy of the *anctshβ* gene (encoding TSHβ2) was retained in chondrichthyes  
708 and in lungfish and coelacanth but was lost before the radiations of teleosts and tetrapods  
709 (467). Of note, after the Teleost-specific WGD (3R), of all duplicated *gph* genes only the  
710 duplicated *tshβ1* gene was maintained (encoding TSHβ3 or TSHβ1b according to a recent  
711 nomenclature), all other duplicated glycoprotein hormone subunit genes being lost (467, 663).  
712 As mentioned earlier, two copies of GPHα subunit-encoding genes may have been generated  
713 in some teleost species, resulting from recent, specific tetraploidization events.

714 While a tandem duplication was at the origin of the glycoprotein hormone family in  
715 vertebrates, the most recently appeared glycoprotein hormone, CG, was also generated by a  
716 tandem duplication that occurred during the radiation of primates, just before the divergence  
717 between New and Old World monkeys, some 35 to 55 Million years ago (272, 460).  
718 Subsequent gene duplications led to a rising number of CGβ duplicates, that are not all  
719 functional (in human, 4 out of 6 CGβ genes are functional), up to about 50 copies in gorilla  
720 (169). The New World monkeys have only one CGβ and one LHβ subunit gene. Surprisingly,  
721 in the marmoset and probably in all New World monkeys, the LHβ gene has lost its pituitary  
722 functionality, and it is the CGβ gene that is expressed in the pituitary and in the placenta from  
723 specific promoters (514). The first duplication event probably affected only the LHβ gene but

724 subsequent duplications also concerned the neurotrophin NTF4 gene (also called NTF5 or  
725 NTF6) although only one copy retained its functionality. Surprisingly, phylogenetic analysis  
726 of LH $\beta$  and CG $\beta$  transcripts showed that CG $\beta$  sequences tend to group with the LH $\beta$   
727 sequence from the same species instead of with CG $\beta$  sequences from closely related species.  
728 This phenomenon was shown to be due to gene conversion *i.e.* nonreciprocal transfer of  
729 sequence information, where the LH $\beta$  gene sequence and notably its first and second exons  
730 act as the parent for *cg $\beta$*  genes conversion (460).

731

## 732 **4. Origin and evolution of GnRH, brain conductor of reproduction in vertebrates**

### 733 **4. 1. Introduction**

734 In the late 1920s, once the involvement of the pituitary in the processes of reproduction was  
735 demonstrated, systematic investigations were initiated to decipher the link between the  
736 hypothalamus and pituitary gonadotropin secretion (491, 614). Harris was the first to propose  
737 the hypothesis of neurohumoral regulation of gonadotropin secretion (192). The question that  
738 remained to be resolved was how information perceived in the CNS would be communicated  
739 to the pituitary gland. In the early 1960s, several investigators reported, in crude hypothalamic  
740 extracts, the existence of substances that specifically stimulated the secretion of luteinizing  
741 hormone (LH) or folliculo-stimulating hormone (FSH), and that were probably polypeptides  
742 (367). It was concluded therefore that the hypothalamus regulates the release of LH and FSH  
743 by means of two releasing hormones (LH-RH and FSH-RH), transported to the anterior  
744 pituitary *via* the hypothalamic portal circulation. From that moment, several teams devoted  
745 their efforts to the isolation and identification of LH- and FSH-releasing hormones. The  
746 isolation of the single substance able to stimulate the synthesis and secretion of both  
747 gonadotropins was independently achieved in 1971 from porcine and ovine brain by the  
748 groups of Schally (465) and Guillemin (16, 77), respectively. It was a decapeptide that was

749 initially termed LH-releasing hormone (LHRH) or LH-releasing factor (LRF), but the  
750 molecule is now generally referred to as gonadotropin-releasing hormone (GnRH). For this  
751 seminal discovery, Schally and Guillemin were awarded the Nobel Prize in Physiology or  
752 Medicine in 1977.

753

## 754 **4.2. Origin and evolution of GnRH**

### 755 4.2.1. GnRH in mammals

756 The first GnRH form isolated from pig and sheep is an amidated decapeptide with the  
757 sequence pQHWSYGLSPGamide (77, 465). This sequence is identical in almost all  
758 mammalian species investigated so far (556). As other neuropeptides, GnRH is synthesized as  
759 part of a larger precursor molecule called pre-proGnRH. The full-length cDNA encoding this  
760 precursor was initially cloned from a human placental library (687). In human, pre-proGnRH  
761 is a protein of 92 amino acids that consists of the decapeptide, extended at the N-terminus by  
762 a signal peptide, and at the carboxy-terminus by a Gly-Lys-Arg sequence necessary for  
763 enzymatic cleavage and carboxy-terminal amidation of GnRH. The 56 aa-residue sequence  
764 located in the C-terminal region of the precursor is called the GnRH-associated peptide  
765 (GAP). The architecture of pre-proGnRH is conserved in other mammals.

766 The mammalian GnRH gene is composed of four exons and three introns (688). Exon 1  
767 contains a part of the 5'-UTR. Exon 2 encodes the rest of the 5'-UTR, the signal peptide, the  
768 GnRH decapeptide, the amidation/proteolytic processing motif and the N-terminal part of the  
769 GAP. Exon 3 encodes the central portion of the GAP. Exon 4 encodes the C-terminal part of  
770 the GAP along with the 3'-UTR.

771 Immunofluorescence and immunohistochemical studies using specific antibodies revealed  
772 that GnRH is primarily localized in neurons located in the hypothalamus, particularly in the  
773 arcuate-median eminence region and the preoptic area (36, 403). In the median eminence,

774 GnRH nerve terminals secrete directly into portal capillaries. The peptide is then delivered by  
775 the portal circulation to the adenohipophysial gonadotrope cells (614). An important feature  
776 of the secretory activity of GnRH neurons is its pulsatile nature (43). The frequency and  
777 amplitude of secretory episodes are essential for the release as well as the synthesis of LH and  
778 FSH by gonadotrope cells (784).

779 It was shown that GnRH neurons arise from the nasal placode and migrate to their target  
780 regions in the hypothalamus during development (682, 881); for review:(880)) This finding is  
781 in agreement with the observations that humans deficient in GnRH also lack their sense of  
782 smell and with studies showing a loss of GnRH cells in animals with olfactory placode  
783 ablation (871, 880).

784 In 1994 was reported, for the first time in mammals, the occurrence of a second GnRH gene  
785 (347). Details regarding this second gene will be provided in the next section since it encodes  
786 a peptide whose sequence was already described in chicken since 1984 (500).

787

#### 788 4.2.2. GnRH in other vertebrates: contribution to the discovery of multiple GnRHs

789 For a long time after it was discovered, GnRH was thought to have an invariant sequence  
790 because all mammalian peptides that were characterized were identical (643). This view was  
791 invalidated in 1982 when the first GnRH variant, containing the substitution Arg<sup>8</sup>→Gln, was  
792 isolated from chicken hypothalami (364, 365, 498, 499). Several other molecular isoforms  
793 were subsequently identified through peptide purification, cDNA cloning, and more recently  
794 data mining. They were primarily found in teleosts, but also in amphibians, elasmobranches  
795 and cyclostomes, and even in mammals (for review: (556)). They were generally named  
796 according to the species in which they were initially isolated. However, a given form found in  
797 a particular species or group can exhibit a much wider distribution, making this nomenclature  
798 particularly confusing. For example, salmon GnRH (sGnRH) (703) is present in many other



799 teleost species, including medaka and zebrafish (381, 555). Likewise, the mammalian form of  
800 GnRH (mGnRH) is also found in frogs (127, 269) and fishes (228, 558) but not in the guinea  
801 pig (323).

802 In 1984, the occurrence of a second GnRH was demonstrated in the chicken, called chicken  
803 GnRH-II (cGnRH-II) in addition to cGnRH-I (500). Since then, it became evident that almost  
804 all vertebrate species are able to produce more than one GnRH form, each encoded by a  
805 peculiar gene (for review: (556)): two in most of them, including human (868) and even three,  
806 notably in teleosts (870) but also in lampreys (349, 704, 715, 737, 757). Very interestingly,  
807 cGnRH-II is present in all gnathostomes with exactly the same structure. As a result, in  
808 species that express two GnRH forms, the cGnRH-II variant is systematically present in  
809 combination with a second one which corresponds to mGnRH in most mammals (870), some  
810 amphibians (127) and fishes (228), or cGnRH-I in birds (498, 500) and reptiles (436). In  
811 teleost species possessing three forms, cGnRH-II is often associated with the sGnRH variant,  
812 plus a third form whose structure is more variable (619).

813 The peptides belonging to the GnRH family share several characteristics: (i) They all are  
814 decapeptides with residues 1, 4, 9 and 10 perfectly conserved as well as modified amino-  
815 (pGlu) and carboxy-terminus (NH<sub>2</sub>) (248) (Table 1). (ii) They originate from preproGnRH  
816 precursors that exhibit the same features as those of mammals (248). (iii) The general  
817 organization of their genes is similar (188), suggesting they all share a common ancestral  
818 gene.

819 In the brain of species containing several GnRH forms, each variant exhibits a peculiar  
820 distribution. In gnathostomes, three major GnRH neuronal systems were recognized (163).  
821 The first one, called the ventral forebrain GnRH system, is composed of neurons mainly  
822 located in the preoptic area of the hypothalamus and projecting toward gonadotrope cells in  
823 the pituitary. The GnRH molecular form synthesized by these neurons is variable depending

824 on the species: *e.g.* mGnRH, cGnRH-I, frog GnRH (fGnRH), sea bream GnRH (sbGnRH) or  
825 guinea pig GnRH (gpGnRH). Functionally, this peptide corresponds to the hypophysiotropic  
826 GnRH form initially characterized by Schally and Guillemin. The second GnRH system,  
827 called midbrain GnRH system, is composed of neurons located in the midbrain tegmentum  
828 near the third ventricle. These neurons project throughout the brain, especially in the midbrain  
829 and hindbrain, but also in the pituitary in some teleost and amphibian species. They produce  
830 the cGnRH-II form. The third system, called the terminal nerve GnRH system, has so far been  
831 identified only in teleosts. Neurons of this system are mainly located in the terminal nerve  
832 ganglion near the olfactory bulb, and project primarily to the telencephalon but also widely  
833 into the whole brain, including the retina and the olfactory epithelium. They specifically  
834 express the sGnRH variant (556). It is to note that, in some teleost species, cells from the  
835 hypothalamic GnRH systems and cells from the terminal nerve GnRH system clearly overlap  
836 in the forebrain (232, 233, 502). It was also shown that neurons from both systems share a  
837 common embryonic origin: they arise in the olfactory system and migrate into the forebrain  
838 (2, 3, 233, 234, 557, 869).

839

#### 840 4.2.3. Evolution of GnRH genes in vertebrates: impact of WGD

841 Because GnRHs are short peptides, their evolutionary relationship was difficult to establish  
842 solely on the basis of their primary structure (337). In 1998, a phylogenetic analysis of GnRH  
843 prepro-hormones from 23 species of bony fish and mammals revealed the existence of three  
844 evolutionarily distinct GnRH groups, named GnRH1, GnRH2 and GnRH3 (869). These three  
845 groups globally coincide with the three GnRH forms identified on the basis of their location  
846 in the brain: releasing form localized to the hypothalamus (GnRH1), form previously  
847 localized solely to midbrain nuclei (GnRH2), and form localized to the telencephalon in  
848 teleosts (GnRH3) (188).

849 Subsequent phylogenetic studies including newly discovered sequences confirmed this  
850 categorization, which is now widely accepted and is at the basis of the current nomenclature  
851 (248, 337, 556). The occurrence of three GnRH paralogous genes is also supported by  
852 synteny analysis (360, 381, 555, 643, 644, 790) since each GnRH gene is positioned in  
853 genomic regions containing common neighbors across teleost and tetrapod species.

854 GnRH1 and GnRH2 are clearly two “old” genes since the peptides they encode exhibit a very  
855 well conserved structure among gnathostomes. In contrast, GnRH3 has long been considered  
856 as a teleost-specific gene, suggesting a more recent emergence, possibly through the teleost-  
857 specific whole-genome duplication (3R) (248, 337, 556). However, this hypothesis was  
858 rejected when it appeared that genes surrounding GnRH3 in teleosts are also present in  
859 tetrapods (360, 381, 555, 790). The view that GnRH3 arose by an ancient duplication before  
860 the teleost-tetrapod split was recently confirmed by the finding of a GnRH3 ortholog in  
861 coelacanth and several species of elasmobranchs (219, 644, 903).

862 In lamprey, three members of the GnRH family of neuropeptides have been identified, named  
863 lamprey GnRH-I (lGnRH-I), lGnRH-II and lGnRH-III (349, 704, 715, 737, 757). The precise  
864 relationship between lamprey peptides and the three subtypes of GnRH in other vertebrates  
865 was difficult to resolve. Phylogenetic analysis initially led Sower et al. (2009) (740) to  
866 propose that lGnRH-II may represent a vertebrate GnRH2 ancestral form and to classify  
867 lGnRH-I and lGnRH-II in a fourth group of vertebrate GnRH peptides. Once again, both  
868 assumptions were refuted by synteny analysis showing that lGnRH-II is a GnRH2 ortholog  
869 while lGnRH-I and lGnRH-III are two copies of GnRH3 that probably arose through tandem  
870 duplication (143, 252, 644, 725). It should be noted that the presence of GnRH was suggested  
871 in the hagfish hypothalamus by both radioimmunoassay and immunohistochemistry, but the  
872 identity of the peptide remains to be determined (541).

873 It is now well accepted that the three GnRH paralogs appeared together through the 2R. In  
874 strong support of this view is the observation in the genome of many species that GnRH1,  
875 GnRH2 and GnRH3 loci, in addition to a fourth locus without GnRH but sharing homologous  
876 neighboring genes, are part of a same tetra-paralogon (360, 790, 903). Moreover, a GnRH-  
877 like gene recently characterized in amphioxus is positioned in a locus surrounded by syntenic  
878 homologs of the human GnRH tetra-paralogon (642). Taken together, these data suggest that  
879 four GnRH paralogs, including a putative GnRH4, were present in the last common vertebrate  
880 ancestor (360, 790) (Figure 6).

881 After 2R, the history of the GnRH family was driven, across vertebrate evolution, by multiple  
882 and independent gene loss events, leading to the diversity of GnRH currently known.

883 The GnRH1 gene occurs in all gnathostomes but not in cyclostomes, suggesting gene loss  
884 specifically in this latter lineage. The GnRH2 gene is currently the most represented GnRH  
885 gene in living vertebrates. No GnRH3 gene has so far been isolated from any tetrapod, while  
886 it is present in several groups of fish. It thus appears that this gene was likely deleted during  
887 the early evolution of the tetrapod lineage. Finally, the putative GnRH4 gene probably  
888 disappeared shortly after 2R without leaving any trace in current species (Figure 6).

889 Apart from these general considerations, additional species-, genus- or family-specific losses  
890 of a GnRH form subsequently occurred independently in different vertebrate lineages. For  
891 example, some teleosts lost GnRH1 (salmon, trout, goldfish, zebrafish, arowana) or GnRH3  
892 (eel, catfish, butterfly fish). In elephant shark, only GnRH1 and GnRH2, but not GnRH3,  
893 were identified (536, 644). Also, certain mammalian species lost GnRH2 (rat, mice, cattle,  
894 sheep, chimpanzee), and thus now possess only GnRH1 (746). It is to note that no effect of  
895 the 3R can be recorded on the current number of GnRH genes in teleosts, suggesting massive  
896 gene losses after 3R. In contrast, two GnRH3 are present in sockeye salmon (25), probably

897 due to the salmon-specific whole-genome duplication (4R) (420), while two tandemly  
898 arranged GnRH1 exist in elephant shark (219) (Figure 6).

899 The detailed evolutionary relationship between the three GnRH paralogs is still not  
900 completely understood. Phylogenetic analysis shows that GnRH1 and GnRH3 sequences  
901 group into the same clade, suggesting they share a common ancestor (248, 349, 800).  
902 Moreover, in teleosts, GnRH1 and GnRH3 neuronal systems exhibit striking similarities  
903 regarding both their embryonic origin and their distribution in the brain (337, 556). Taken  
904 together, these data support the notion that 1R generated on the one hand the GnRH1-GnRH3  
905 ancestor and on the other hand the GnRH2-GnRH4 ancestor. Although appealing, this  
906 scenario remains to be confirmed.

907

### 908 **4.3. Origin and evolution of GnRH receptors**

#### 909 **4.3.1. GnRH-R in mammals**

910 GnRH receptors (GnRH-R) were initially characterized in the pituitary and several other  
911 tissues such as the brain, placenta and gonads, as specific binding sites with high affinity for  
912 mGnRH1 and its potent agonist or antagonist analogs (747). Some immortalized cell lines  
913 derived from neoplastic tissues also proved to be an important source of GnRH-R (747). One  
914 of them, the mouse pituitary  $\alpha$ T3 gonadotrope cell line, led to the molecular isolation of the  
915 first GnRH receptor sequence, by expression screening for electrophysiological (809) or  
916 calcium responses (634) in *Xenopus* oocytes. This sequence provided the basis for the cloning  
917 of GnRH-R in several other species (506, 686).

918 GnRH-R is mainly expressed in gonadotrope cells of the pituitary, in agreement with its role  
919 in the synthesis and release of gonadotropins, but it is also present in extra-pituitary tissues  
920 including the brain (320), placenta, gonads, prostate, uterus and breast (108, 637). GnRH-R is  
921 also expressed in cancer tissues, either related (*i.e.* prostate, breast, endometrial, and ovarian

922 cancers) or unrelated (*i.e.* melanoma, glioblastoma, lung, and pancreatic cancers) to the  
923 reproductive system. Activation of GnRH-R was shown to inhibit proliferation of transformed  
924 cells making this receptor a therapeutic target for direct action of GnRH analogues on certain  
925 proliferating cells (422, 450).

926 Analysis of the primary sequence identifies the GnRH receptor as a member of the rhodopsin  
927  $\beta$ -like G protein-coupled receptor (GPCR) family, which contains a characteristic seven  
928 transmembrane (TM)-domain structure (686). Unlike most GPCRs, which are intronless, the  
929 GnRH-R gene is composed of three exons and two introns (181).

930 A hallmark feature of the mammalian GnRH-R is the absence of a cytoplasmic carboxy-  
931 terminal domain, which is unique among GPCRs (686). As a result, this receptor is resistant  
932 to rapid desensitization and internalizes very slowly (142, 597). The extracellular loops (EC)  
933 and superficial regions of the transmembrane domains (TM) are responsible for receptor-  
934 ligand recognition and binding while the intracellular loops are involved in interacting with G  
935 proteins for signal transduction (196, 490).

936 In gonadotrope cells and gonadotrope-lineage cells, activation of the GnRH receptor  
937 stimulates a variety of intracellular signalling pathways (99, 525, 600). However, it is  
938 generally accepted that the primary effect of GnRH binding to its receptor is the activation of  
939 phospholipase C $\beta$  (PLC $\beta$ ) through the G<sub>q/11</sub> G protein and the hydrolysis of  
940 phosphatidylinositol 4,5-bisphosphate (PIP<sub>2</sub>) into diacylglycerol (DAG) and inositol 1,4,5-  
941 trisphosphate (IP<sub>3</sub>), which stimulates calcium release and activates protein kinase C (PKC)  
942 (247). These events lead to the synthesis and release of gonadotropins (747).

943 The presence of at least two GnRHs in most vertebrates, including mammals, suggested the  
944 existence of several cognate GnRH receptor subtypes (793). In support of this view, the  
945 occurrence of a second GnRH-R subtype (called GnRH-RII, as opposed to the first subtype  
946 now renamed GnRH-RI) was reported in non-human primates (488, 530). It is noteworthy

947 that the GnRH-RII subtype is either partially or completely silenced in a number of  
948 mammalian species (human, chimpanzee, sheep, cow, rat, and mouse) (487, 506, 507).

949 A study carried out in marmoset showed that the type II GnRH receptor is more widely  
950 distributed than type I receptor (488). As expected, GnRH-RI exhibits greater sensitivity to  
951 the hypophysiotropic GnRH form, GnRH1, than to GnRH2. Conversely, the GnRH-RII  
952 shows greater sensitivity to GnRH2 than to GnRH1 (304, 449, 488).

953

#### 954 4.3.2. GnRH-R in other vertebrates: contribution to the discovery of multiple GnRH-R

955 The first non-mammalian GnRH-R was isolated from catfish in 1997 (778). Remarkably, this  
956 receptor exhibits a 49-amino acid cytoplasmic carboxy terminal domain that is lacking in the  
957 mammalian receptors. Moreover, it possesses a much higher affinity for GnRH2 than for  
958 GnRH1. A number of subsequent studies described the cloning of GnRH receptors in several  
959 other species, including trout (447), *Xenopus* (794), and chicken (754). In some species, such  
960 as in goldfish (305), bullfrog (855) and sea bass (503), the coexistence of two, three and even  
961 five distinct GnRH-R subtypes was reported, respectively. Three GnRH-R were also  
962 characterized in lamprey (330, 716). GnRH binding sites in GnRH-R type I and II forms are  
963 highly conserved but several amino acid residues in the second and fourth transmembrane  
964 domains confer selectivity toward GnRH1 and GnRH2 (122, 205).

965 Interestingly, at both the structural and functional levels, non-mammalian GnRH receptors  
966 resemble more closely the mammalian type II receptors than the mammalian type I receptors.  
967 Indeed, they all have a carboxy-terminal tail and a higher affinity (although sometimes  
968 modest) for GnRH2 than for GnRH1 (337). Moreover, in contrast to GnRH-RI, they show an  
969 Asp residue in transmembrane domain 2 that is conserved among members of the GPCR  
970 family. This Asp residue, that is replaced by an Asn residue in the mammalian GnRH-RI, is  
971 required for receptor activation (406, 488).

972 As the mammalian GnRH-RII, non-mammalian GnRH receptors are expressed in numerous  
973 tissues, in particular in reproductive organs. In species possessing several GnRH-R subtypes,  
974 each receptor exhibits a distinct expression pattern (248). Both mammalian GnRH-RII and  
975 non-mammalian GnRH receptors generally couple to the Gq protein and therefore mediate the  
976 intracellular production of inositol phosphates (99, 337).

977

#### 978 4.3.3. Evolution of GnRH-R genes in vertebrates: impact of WGD

979 The evolutionary relationship between vertebrate GnRH receptor is still obscure, making it  
980 difficult to propose a consensual nomenclature (see (613) for a detailed review of the different  
981 nomenclatures proposed over time). As mentioned above, vertebrate GnRH receptors were  
982 generally subdivided into two major types (I and II) on the basis of both their structural  
983 (presence or not of a C-terminal tail) and functional (selectivity to individual GnRH peptides)  
984 features. Type I GnRH-R only contains the mammalian « tail-less » sequences, while type II  
985 GnRH-R includes all remaining sequences, from both mammalian and non-mammalian  
986 species. Such a categorization is well supported by numerous phylogenetic analyses in which  
987 GnRH-RI and GnRH-RII sequences actually group into two separate major clades (302, 613,  
988 643, 644, 690, 776, 873).

989 Until recently, GnRH-RI sequences were only found in mammals, suggesting that this  
990 receptor evolved after lineage-specific gene duplication in early mammals (337, 643). This  
991 concept was eventually invalidated when sequences of GnRH-RI were found in coelacanth,  
992 elephant shark and little skate (644, 690, 873), indicating that the gnathostome ancestor  
993 already possessed a type I GnRH-R. Thus, functionally, the absence of the cytoplasmic tail in  
994 type GnRH-RI can no longer be viewed as an adaptation to mammalian physiology (873), as  
995 previously suggested by some authors (142, 794).



996 In contrast to the type I clade, the type II clade is characterized by a wide heterogeneity, since  
997 it includes sequences from species of very diverse origins. This heterogeneity is reinforced by  
998 the fact that most of these species possess multiple type II receptor forms, *e.g.* three in  
999 lamprey, some teleosts and amphibians, and up to four in coelacanth. Hence, recent studies  
1000 subdivided type II clade into two major clades, called IIa and IIb (613, 644, 873). IIa and IIb  
1001 can be further split into three and two groups, respectively. The first type IIa GnRH-R clade  
1002 contains all three of the lamprey GnRH-R sequences plus one of the coelacanth paralogs. The  
1003 second type contains the mammalian type II GnRH-R plus one of the coelacanth paralogs,  
1004 while the third type contains GnRH-R sequences from teleosts, coelacanth, amphibians,  
1005 reptiles and birds. The first type IIb clade also contains GnRH-R sequences from teleosts,  
1006 coelacanth, amphibians, reptiles and birds, while the second type is exclusively composed of  
1007 teleost sequences. It is noteworthy that the two IIb subtypes are not discriminated in the  
1008 Williams's study.

1009 At first sight, the logic of this breakdown is not obvious. Indeed, phylogenetic analyses,  
1010 alone, are not perfectly suitable to explain the origin of the different GnRH receptor subtypes,  
1011 and their evolutionary relationships. Recently, several studies have tried to revisit the history  
1012 of the GnRH-R family in light of the 2R theory (360, 644, 690).

1013 Following up a previous work (360), Sedifeh et al. (2014) (690) examined the conserved  
1014 synteny of chromosomes harboring GnRHR genes. They identified three pairs of GnRH-R  
1015 subtypes in three paralogous linkage groups, suggesting that an ancestral pair emerged  
1016 through local duplication before 2R. According to their model, 2R thus led to the generation  
1017 of 6 subtypes of GnRH-R in the vertebrate ancestor. However, this model is based on a  
1018 phylogenetic analysis whose conclusions have been recently strongly challenged (644, 873).  
1019 For instance, Roch et al. (2014) proposed that all three major GnRH receptor subtypes (types  
1020 I, IIa and IIb) were already present in the vertebrate ancestor before 2R (644). These three

1021 receptors would have been the products of two successive events of tandem duplication.  
1022 According to their model, 2R theoretically led to the generation of 12 GnRH-R subtypes  
1023 (Figure 7). However, due to multiple gene losses, only six of them were preserved.  
1024 Thereafter, further losses could occur in the different vertebrate lineages, eventually leading  
1025 to the current situation. This model is in good agreement with phylogenetic data, which  
1026 identify a total of six GnRH-R subtypes. However, on the basis of practically the same data,  
1027 Williams et al. (2014) propose a totally different scenario, in which only three GnRH-R genes  
1028 were present in the gnathostome ancestor (873). By contrast, they argue that the current data  
1029 do not resolve the number of GnRH receptors in the common ancestor of vertebrates and the  
1030 actual impact of 2R.

1031 Taken together, this information shows that further studies, combining both phylogenetic and  
1032 syntenic data, will be needed to fully understand the evolution of the GnRH-R family in  
1033 vertebrates.

1034

#### 1035 **4.4. Origin of the GnRH system before the emergence of vertebrates**

1036 In order to gain more insight into the origin of GnRH, intensive efforts have been made to  
1037 hunt out GnRH-related peptides in phyla other than vertebrates.

1038

##### 1039 **4.4.1. GnRH and GnRH-R in non-vertebrate chordates**

1040 The first molecular evidence that GnRH occurs outside vertebrates was provided by the  
1041 characterization of multiple GnRH-like peptides in tunicates, encoded by one or two different  
1042 genes, depending on the species (5, 264, 618, 644). In several species examined, such as  
1043 *Ciona sp.* or *Halocynthia sp.* (5, 264), pre-proGnRHs are multifunctional precursors, each  
1044 containing the sequence of two to three tandemly arranged peptides. However, despite the  
1045 unique organization of their precursor, almost all tunicate GnRH forms identified so far are

1046 decapeptides including the six invariant amino acids, in positions 1–4, 9 and 10, found in  
1047 vertebrates (644) (Table 1). It is noteworthy that the occurrence of both mGnRH and cGnRH-  
1048 I reported by Di Fiore et al. (2000) (193) in *Ciona* could not be confirmed (5).

1049 Search of the *Ciona* genome also led to the identification of four GnRH receptors (775). All  
1050 these receptors possess a C-terminal tail similar to vertebrate type II GnRH-R, as well as  
1051 several other structural features shared with vertebrate GnRH-Rs (643). At the functional  
1052 level, only one tunicate receptor is able to activate the  $G_{q/11}$  pathway and to trigger IP3  
1053 accumulation, while the three others provoke an increase of cyclic AMP formation through  
1054 stimulation of  $G_s$  (775). At the evolutionary level, the four *Ciona* GnRH receptors cluster into  
1055 a single clade at the root of the vertebrate GnRH-R one (644). Taken together, these data  
1056 demonstrate unequivocally the existence in tunicates of a GnRH system homologous to that in  
1057 vertebrates.

1058 The occurrence of a functional GnRH system was also reported in amphioxus. However, the  
1059 first Blast searches of the amphioxus genome allowed the identification of only GnRH-like  
1060 receptor but not peptide sequences (776). Of the four amphioxus GnRH-R sequences found,  
1061 only two, GnRH-R1 and GnRH-R2, cluster as expected, at the root of the chordate GnRH-R  
1062 tree (642, 644). In contrast, the two others, GnRH-R3 and GnRH-R4, appear much more  
1063 distant and do not group with chordate GnRH-R sequences (see below for more details).  
1064 Nevertheless, the four amphioxus GnRH-R genes are positioned in the same locus surrounded  
1065 by syntenic homologs of the vertebrate GnRH-R paralogon (642).

1066 In 2009, a peptide with GnRH sequence identical to mammalian GnRH1 was purified from  
1067 amphioxus (96) but this result proved to be artifactual (642). The occurrence of a genuine  
1068 amphioxus GnRH-like gene was reported only five years later by using a more sensitive  
1069 search methodology with hidden Markov models (642). The GnRH identity of this gene was  
1070 confirmed by synteny analysis. However, the GnRH-like peptide encoded by this gene

1071 exhibits a very atypical structure, pQILCARAFTYHTWamide, since of its 14 amino acids  
1072 (aa) (and not 10), 3 only are conserved at positions 1, 5, and 7 with vertebrate GnRH2  
1073 residues (Table 1). It has been proposed that the amphioxus GnRH-like peptide may be  
1074 cleaved to form a more active 7 aa-peptide (785). The amphioxus GnRH-like peptide acts as a  
1075 ligand for amphioxus GnRH-R3 (642), but does not activate any of the three other amphioxus  
1076 GnRH-R subtypes (642), indicating that the natural ligands of the latter receptors remain to be  
1077 identified. It is to note that amphioxus GnRH-R1 and GnRHR-2 can be activated by  
1078 vertebrate GnRH (642). Interestingly, a second GnRH-like peptide has been identified in the  
1079 amphioxus genome (called GnRHv), but this peptide does not activate any of the four known  
1080 amphioxus GnRH-R (642).

1081

#### 1082 4.4.2. GnRH-like peptides and GnRH-R in other non-vertebrates

1083 The first non-vertebrate GnRH-like molecule, at least clearly presented as such, was  
1084 characterized in 2002 from a cephalopod mollusk, the common octopus (313). Octopus  
1085 GnRH is a dodecapeptide that shares 7 residues with vertebrate GnRH2 from which it mainly  
1086 differs by the insertion of two amino acids after position 1 (Table 1). The overall organization  
1087 of the octopus GnRH precursor is the same as that of vertebrate pre-proGnRHs. Its cognate  
1088 receptor was identified soon after and was demonstrated to have numerous similarities with  
1089 chordate GnRH receptors (344).

1090 Closely related peptides were subsequently identified in several other species of mollusks (58,  
1091 831, 912), annelids (832) and echinoderms (649, 695) (Table 1). All these newly identified  
1092 peptides, together with the amphioxus GnRH-like peptide, were proposed to be classified as  
1093 invertebrate GnRHs (invGnRHs), as opposed to vertebrate GnRHs (that also include the  
1094 tunicate ones) (644). However, recent studies have shown that invGnRHs are probably not  
1095 orthologous to GnRHs and should be renamed (see below) (613, 905).

1096

1097 4.4.3. Other GnRH-related peptides (AKH, CZR, ACP) and their receptors

1098 In 1998, the occurrence of a receptor structurally related to vertebrate GnRH receptors was  
1099 reported in *Drosophila* (267). Several years later, the ligand for this *Drosophila* GnRH-type  
1100 receptor was characterized and identified as a member of the adipokinetic hormone (AKH)  
1101 family (745). Such a result was totally unexpected since AKH has been well known for a long  
1102 time in insects (470, 748) but without apparent relationship with GnRH. However, taking a  
1103 closer look, GnRHs and AKHs appear to share the N-terminal pyro-Glu residue and the C-  
1104 terminal amide plus various identical residues depending on the species, in particular a  
1105 conserved Trp at the third last position. It thus appears reasonable to consider peptides of the  
1106 AKH family as possible GnRH homologs.

1107 AKH is an insect peptide first isolated from the locust *corpura cardiaca*, a functional  
1108 equivalent of the pituitary gland in insects (835), for its ability to mobilize lipids from the fat  
1109 body during flight (748). Many different forms (8-10 residues) of this peptide hormone were  
1110 subsequently described in various insect species, with even two or three gene copies in some  
1111 of them (216) (Table 1). AKH is also known as the red pigment-concentrating hormone  
1112 (RCPH) isolated several years earlier in crustaceans (189) The first RCPH receptor has been  
1113 recently characterized from *Daphnia* (456).

1114 In 1989, an AKH-like peptide was identified in the cockroach and named corazonin (CRZ,  
1115 “corazon” being the Spanish word for ‘heart’) on the basis of its cardioacceleratory properties  
1116 (830). Although slightly larger in size (11 residues), CRZ share several structural features  
1117 with AKH (Table 1). Furthermore, their preprohormones have a similar organization  
1118 indicating that the two neuropeptide precursor genes must have a common evolutionary origin  
1119 (829). Like AKH, CRZ is expressed in neurosecretory neurons of the protocerebrum and  
1120 transported to the storage lobes of the *corpura cardiaca* (622). The CRZ receptor was initially

1121 characterized in *Drosophila* by a reverse pharmacology strategy (94, 582). Sequence analyses  
1122 showed that CRZ, AKH and GnRH receptors are all evolutionarily related.

1123 In 2006 Belmont et al. (2006) isolated from *Anopheles* a receptor with strong similarities to  
1124 the AKH receptor but which is activated neither by AKH nor by CRZ (45). The natural ligand  
1125 for this receptor was subsequently characterized as a new peptide called AKH/corazonin-  
1126 related peptide (ACP) due to its intermediate structural features with AKH and CRZ (261).

1127 In all species examined so far, AKH, CRZ and ACP originate from precursors that exhibit the  
1128 same overall organization as those of vertebrate GnRHs, with the mature peptide immediately  
1129 after the signal peptide. However, despite their structural similarities with other non-  
1130 vertebrate GnRH-like receptors, the AKH receptors are specific for AKH and are not  
1131 activated by ACP or CRZ. Similarly, the ACP receptors are specific for ACP and the CRZ  
1132 receptors are specific for corazonin, showing that AKH, ACP and CRZ are three independent  
1133 signaling systems (411).

1134 For a long time, AKH, CRZ and ACP were thought to be confined to the arthropod clade,  
1135 where they often (but not systematically) coexist in the same species (411). In 2009 the  
1136 existence of an AKH-like peptide and its cognate receptor was reported in the nematode *C.*  
1137 *elegans* (424), suggesting an older origin of the AKH signaling system. This notion was  
1138 backed up soon later when it appeared that a functional AKH system is also present in  
1139 mollusks (164, 265, 411), hemichordates (905) and echinoderms (785). Regarding the CRZ  
1140 system, the same conclusion can be drawn from a recent study showing the presence of CRZ  
1141 and its receptor in hemichordates and echinoderms (644, 785). In contrast, so far, ACP has  
1142 been identified only in arthropods (905).

1143

1144 4.4.4. Evolutionary relationships between GnRH- and AKH-CRZ-ACP-like systems

1145 The view that AKH, ACP, CRZ and GnRH peptides form a superfamily is generally well  
1146 accepted (265, 318, 423, 492, 613, 644, 905). However, the precise relationships between  
1147 CRZ, AKH, ACP and GnRH are poorly understood as illustrated by a very confused  
1148 nomenclature (265, 613, 644, 801, 905). One of the major issues is whether AKH and CRZ  
1149 neuropeptides can be both considered as orthologs to the vertebrate GnRH system.  
1150 Unfortunately, this issue is not really addressed by phylogenetic analyses. In contrast, it  
1151 appears likely that the invGnRH group previously defined by Roch (2014) (644) is not a  
1152 monophyletic group (613, 801). It has thus been proposed to limit the name of GnRH  
1153 exclusively to deuterostome GnRHs (613).

1154 Regarding the receptors, the situation is also unclear. Phylogenetic analyses generally agree to  
1155 recognize three major clades (265, 613, 644, 785). The first clade includes all chordate  
1156 GnRH-Rs, except amphioxus GnRH-R3 and GnRH-R4, plus GnRH-R-like sequences from  
1157 echinoderms, in other words most deuterostome GnRH-Rs. The second clade contains all  
1158 arthropod CRZ-R sequences. It also encompasses amphioxus GnRH-R3 and GnRH-R4 plus  
1159 some GnRH-R-like sequences from echinoderms and lophotrochozoans (annelids and  
1160 mollusks). Surprisingly, among this second clade, are the octopus and *Aplysia* GnRH  
1161 receptors, initially thought to belong to the GnRH-R group, as indicated by their name (344,  
1162 348). Finally, the third clade encompasses all arthropod ACP-R plus AKH-R sequences from  
1163 arthropods, nematodes and lophotrochozoans. Depending on the authors, different clusterings  
1164 of these clades were proposed and formed the basis of two main evolutionary scenarios (654)  
1165 (Figure 8). The first scenario states that an ancestral CRZ-R, which was conserved in the  
1166 ambulacrarians (echinoderms and hemichordates) and the lophotrochozoans (annelids and  
1167 mollusks), duplicated twice independently and thus generated two lineages: the first leading  
1168 to CRZ-R and AKH-R, subsequently AKH-R generated arthropod ACP-R in ecdysozoans,  
1169 and the second leading to GnRH-R in chordates (Figure 8A). The second scenario states that

1170 GnRH-R and CRZ-R might have been arisen via gene duplication in a common ancestor of  
1171 bilaterians, and that a second gene duplication of GnRH-R might have generated AKH-R and  
1172 ACP-R during the divergence between lophotrochozoans and ecdysozoans (arthropods and  
1173 nematods) (Figure 8B). The main difference between the two models is that, in the first one,  
1174 AKH-R/ACP-R and GnRH-R are not orthologous since they arose independently while, in the  
1175 second one, they are orthologous. In contrast, both models agree that the CRZ-R gene was  
1176 probably lost in urochordates, vertebrates and nematodes.

1177 The second scenario was particularly detailed by Zandawala et al. (2018) who thus proposed  
1178 to totally reconsider the classical nomenclature of the GnRH- and AKH-CRZ-ACP-like  
1179 systems (905). According to these authors, who distinguish two major types of GnRH-like  
1180 receptors, *i.e.* the (true) GnRH-R type and the CRZ-R type, the term AKH-R should be left  
1181 out and replaced by GnRH-R in all bilaterian species, since AKH-R and GnRH-R are  
1182 orthologous. Nevertheless, they suggest keeping AKH-R specifically in arthropods, together  
1183 with that of ACP-R, its co-paralog. They also propose to change all the nomenclature of ~~the~~  
1184 invertebrate GnRH-like peptides on the basis of the receptor type that they activate. For  
1185 example, the octopus GnRH, as well as its counterparts in other lophotrochozoans, should be  
1186 renamed as CRZ because their cognate receptor clearly belongs to the CRZ-R type (344).  
1187 Likewise, all AKHs from lophotrochozoans and non-arthropodian ecdysozoans (*e.g.*  
1188 nematodes) should be renamed as (true) GnRHs.

1189 As already mentioned, receptors of GnRH-R (GnRH-R1 and GnRH-R2) and CRZ-R (GnRH-  
1190 R3 and GnRH-R4) types, have been characterized in amphioxus (776). In contrast, only one  
1191 GnRH-like peptide was found in this group (642), that probably corresponds, for the reasons  
1192 given above, to CZR. These data clearly suggest the existence of an authentic amphioxus  
1193 GnRH that remains to be discovered.



1194 All in all, the Zandawala's scenario appears very attractive, since it is based on the hypothesis  
1195 of co-evolution between peptides and receptors, a process generally observed for  
1196 neuropeptidergic signaling systems (492). However, further studies are needed to confirm this  
1197 model, in particular to characterize the ligand-binding properties of the receptors in a larger  
1198 number of species. For example, such studies would help to clarify the phylogenetic status of  
1199 the different peptides recently identified in prawn (756), particularly the so-called GnRH,  
1200 whose place in the Zandawala's nomenclature remains to be determined. The same remark  
1201 applies regarding the so-called AKH2 and GnRH2 found in the marine annelid *Platynereis*  
1202 *dumerilii* (129).

1203 Phylogenetic analyses show that receptors of the GnRH/CRZ superfamily have close  
1204 evolutionary relationships with receptors of the vasopressin (VP)/ocytocin (OT) family (492,  
1205 643). Interestingly, although they are not structurally related, GnRH2, OT and VP genes are  
1206 tandemly arranged in several vertebral species (252, 360, 643, 790), also suggesting a  
1207 possible common origin.

1208

#### 1209 4.4.5. GnRH and GnRH-R before bilateria?

1210 The nervous system in cnidarians is well known for its peptide wealth (245). As a matter of  
1211 fact, a large number of neuropeptides have been isolated from different groups of cnidarians  
1212 (211). Several reports show that coral tissues contain GnRH-like compounds (18, 812) but  
1213 they have not been characterized yet. The occurrence of GnRH-like peptides has also been  
1214 reported in the sea anemone genome (19). However, recent investigations failed to identify  
1215 any GnRH-R-like sequence in cnidarian genomes (265, 613), suggesting that the GnRH-CRZ  
1216 signaling system is a bilaterian innovation.

1217 It is noteworthy that an earlier origin of the GnRH system was formerly proposed after the  
1218 finding that yeast  $\alpha$ -mating factor shows some structural and functional similarities to

1219 vertebrate GnRHs (435). However, evolutionary relationships between both peptides are  
1220 unlikely since  $\alpha$ -mating factor is known to activate a receptor that does not belong to  
1221 rhodopsin  $\beta$ -like GPCRs (329).

1222

## 1223 **4.5. Functions of GnRH-like peptides: evolutionary perspectives**

### 1224 **4.5.1. Reproductive functions of GnRH in chordates**

1225 In vertebrates, GnRH1 is the main GnRH form targeted to the pituitary. Its stimulatory effect  
1226 on gonadotropin release is well established in many species. GnRH1 is thus considered as the  
1227 major regulator of the hypothalamo–pituitary–gonadal axis whose stimulation leads to  
1228 gametogenesis and steroid production in the gonads (556, 643, 921). Consistent with this  
1229 notion, studies conducted in mice and humans show that GnRH1 null mutations result in  
1230 hypogonadotropic hypogonadism and infertility (93, 97). In teleosts species lacking GnRH1,  
1231 such as zebrafish, GnRH3 is believed to assume the hypophysiotropic role of GnRH1 (3,  
1232 744).

1233 The action of GnRH1 is thus closely linked to the presence of a pituitary, which is a  
1234 vertebrate innovation (643, 740). However, GnRH1 is also produced in and acting on other  
1235 reproductive tissues. This is particularly the case in the gonads where, in numerous species of  
1236 fish, amphibians, birds, reptiles and mammals, GnRH1 acts as a paracrine factor involved in  
1237 the control of both gametogenesis and steroidogenesis (475, 477). This is also the case in the  
1238 placenta (therefore specifically in mammals) where GnRH1 promotes trophoblastic cell  
1239 invasion and regulates chorionic gonadotropin biosynthesis (670). In addition to its  
1240 physiological actions, GnRH1 also regulates reproductive behaviors, including female  
1241 lordosis (656) and male mating behavior (638) in rats.

1242 As mentioned above, GnRH2 is primarily expressed in the vertebrate midbrain and is  
1243 generally thought to have neuromodulatory actions (337, 556). Thus, intracerebroventricular

1244 administration of GnRH2 promotes female reproductive behavior in various mammalian  
1245 species (556). Likewise, GnRH2 stimulates female spawning behavior in goldfish (843).  
1246 However, in some teleost and amphibian species, GnRH2 fibers originating from the  
1247 midbrain were found to project, directly or indirectly, to the pituitary (125, 611, 921). As a  
1248 matter of fact, GnRH2, as GnRH1, stimulates gonadotropin synthesis and secretion by  
1249 pituitary gonadotrope cells (148, 489, 554).

1250 GnRH3 is implicated in the control of reproductive behavior in teleosts. For instance, in  
1251 cichlid fish, GnRH3-immunoneutralization decreases nest-building ability of males (542).  
1252 Similarly, in medaka, terminal nerve GnRH3 neurons have an essential role for activating  
1253 mating preferences based on familiarity (559).

1254 In tunicates, GnRH induces the release of gametes, probably *via* a direct action on the gonads  
1255 (779), suggesting that GnRH already exerted reproductive functions in the olfactores ancestor  
1256 (the common ancestor of urochordates plus vertebrates), before the appearance of the  
1257 pituitary.

1258

#### 1259 4.5.2. Non-reproductive functions of GnRH in chordates

1260 Both, GnRHs, and their receptors are expressed in numerous non-reproductive tissues in the  
1261 central nervous system (cerebral cortex, hippocampus, cerebellum, ...) and in peripheral  
1262 organs (bladder, adrenal, heart, ...) (722), suggesting that GnRH may have a variety of non-  
1263 reproductive activities. In fact, GnRH1 is released in significant concentrations into the  
1264 cerebrospinal fluid (CSF) to potentially act outside the hypothalamus (86, 721). GnRH1 can  
1265 affect pituitary cells other than gonadotropes (722). In particular, GnRH1 stimulates GH  
1266 release in goldfish (455) and chicken (677). A role of GnRH2 and GnRH3 on early brain  
1267 regionalization and eye development has also been revealed by knockdown experiments in  
1268 zebrafish (886). At the behavioral level, GnRH1 is involved in the control of anxiety and

1269 depression was reported both in human and rodents (579), while GnRH2 influences feeding  
1270 behavior (461, 777).

1271 Interestingly, a role of GnRH in the control of metamorphosis has been recently observed in  
1272 tunicates (342), suggesting that, even in the olfactores ancestor, GnRH is not just a  
1273 reproductive hormone.

1274

#### 1275 4.5.3. Roles of GnRH-like peptides in non-chordates

1276 The first two GnRH-like peptides to be characterized in non-chordates were identified from  
1277 octopus (313) and *C. elegans* (424). According to the new Zandawala's nomenclature (see  
1278 above, 2018), these peptides correspond to CRZ-type and true GnRH-type forms,  
1279 respectively. At the time of their discovery, both peptides were logically investigated for their  
1280 reproductive functions. As a matter of fact, the octopus peptide was shown to stimulate  
1281 oviduct contraction and gonadal steroidogenesis (312, 344), while the nematode peptide was  
1282 described as a regulator of egg-laying behaviour (424). These findings were thus taken as a  
1283 strong support to consider both peptides as GnRH homologs (in addition to the fact that they  
1284 bind to GnRH-like receptors) (423). However, further studies showed that the reproductive  
1285 functions of GnRH-like peptides are often marginal in non-chordate species.

1286 As mentioned above, AKH- and CRZ-type signalling systems were first characterized in  
1287 arthropods. Therefore, most of the functional data currently available are from this group,  
1288 especially from *Drosophila* (905). In insects, AKH mainly regulates carbohydrate  
1289 homeostasis, and lipid and carbohydrate mobilization, particularly during flight (216). AKH  
1290 is also involved in other physiological processes related to locomotion and stress (265), but is  
1291 generally not linked to reproduction (905). Only a few studies in the cricket (434) and the  
1292 locust (509) indicate that AKH may have a role in reproduction. In crustaceans, RPCH, the  
1293 AKH ortholog, modulates gut motility in the lobster (151) and ovarian maturation in the

1294 crayfish, in addition to its role in background color adaption initially reported in the prawn  
1295 (189). The functions of AKH-like peptides in other taxa are still poorly characterized. AKH  
1296 has been recently identified in *Aplysia* (324) and functional assays indicate that it may  
1297 modulate metabolism, feeding and gut motility, and also affect some gonadal parameters.  
1298 Although this peptide is considered as a true GnRH according to the Zandawala's  
1299 nomenclature (2018) (905). While the functions of ACP, the closest paralog of AKH in  
1300 arthropods, are still unclear, in a recent study, ACP was shown to play a role in lipid  
1301 metabolism and inhibition of oocyte proliferation in prawn (756).

1302 As already indicated, CRZ was originally isolated from cockroach on the basis its  
1303 cardiotropic properties (830). However, such an activity has been so far only documented in a  
1304 few species. Since then, CRZ has been implicated in a wide range of functions in insects,  
1305 including the initiation of ecdysis behaviors in the moth (362), induction of cuticular  
1306 pigmentation in the locust (771), reduction of the spinning rate and pupal development in the  
1307 silkworm (767), testicular development and spermatogenesis in the prawn (711). In ants, CRZ  
1308 controls social behavior and caste identity (236). As for GnRH, the functions of CRZ in other  
1309 taxa are still poorly known. The reproductive functions of CRZ in octopus have been  
1310 mentioned above, but octopus CRZ (according to the Zandawala's nomenclature) has also  
1311 non-reproductive functions, in particular on the heart and muscles (312, 344). In *Aplysia*,  
1312 CRZ affects many processes including motor function, feeding and neuronal activities but has  
1313 no significant effect on reproduction (753, 802).

1314 Overall, GnRH-type and CRZ-type peptides are pleiotropic hormones that have both  
1315 overlapping and specific properties, but do not exhibit clear patterns of functions emerges,  
1316 thus making difficult to infer their ancestral functions in Urbilateria, the last common ancestor  
1317 of bilaterians. The only (quasi) certainty is that the critical role of GnRH as a reproductive

1318 activator is a characteristic unique to vertebrates (654), likely related to the innovation of the  
1319 pituitary gland in this group.

1320

## 1321 **5. Origin and evolution of brain RF-amide peptides in the limelight for reproduction**

1322 Two types of brain peptides, namely kisspeptin and GnIH/RFRP, have been subjected to most  
1323 attention in the field of reproductive physiology since the early 2000s. Both belong to the  
1324 superfamily of RF-amide peptides and have been proposed as new major actors in the  
1325 neuroendocrine control of reproduction in vertebrates.

1326

### 1327 **5.1. History and evolutionary relationships of the RF-amide peptides**

#### 1328 5.1.1 Discovery of RF-amide peptides in mollusks

1329 In 1972, a substance, designated peak C, was isolated in all major classes of the phylum  
1330 Mollusca for its cardioexcitatory activity (9). Five years later, peak C was purified from  
1331 cerebral ganglion extracts of the sunray venus clam, *Macrocallista nimbosa* (623). The  
1332 neuropeptide identified, FMRFamide, was named after the letter abbreviations of its four  
1333 amino acids, phenylalanine, methionine, arginine and phenylalanine, and its amidated C-  
1334 terminal sequence (623). Since then, FMRFamide along with its structurally related  
1335 neuropeptides named FMRFamide-related peptides (FaRPs) or FMRFamide-like peptides  
1336 (FLPs) remains the best-investigated family of neuropeptides in mollusks.

1337

#### 1338 5.1.2. RF-amide peptides superfamily in vertebrates

1339 The first vertebrate member of the RF-amide family (peptides ending with Arg-Phe-NH<sub>2</sub>) was  
1340 isolated and sequenced (Leu-Pro-Leu-Arg-Phe-NH<sub>2</sub>: LPLRFamide) from chicken brain in  
1341 1983 (152). This peptide was subsequently recognized as a fragment of a longer RF-amide  
1342 peptide, gonadotropin-inhibitory hormone (GnIH) (for review: (806). Since 1983, a number

1343 of neuropeptides sharing the typical C-terminal RF-amide (RFa) signature were discovered in  
1344 all major animal phyla (174, 318, 904).

1345 Dockray (2004) suggested designating the mammalian RF-amide genes, *farp-1* to *farp-5* in  
1346 the chronological order they were described (153): the *farp-1* gene (601, 841) encodes two  
1347 peptides, neuropeptide FF (NPFF) and neuropeptide AF (NPAF) (896); the *farp-2* gene (280)  
1348 encodes prolactin-releasing peptide (PrRP) (280); the *farp-3* gene (281, 426) encodes two  
1349 peptides, RFRP-1 and RFRP-3 also referred to as neuropeptide VF (NPVF) or GnIH (281);  
1350 the *farp-4* gene (227) corresponds to the Kiss-1 gene encoding kisspeptin (or metastin)  
1351 peptides (375, 549); the *farp-5* gene (104, 213, 322) encodes 26RFa, also named P518 or  
1352 QRFP (104, 213, 322). These five distinct genes thus encode seven peptides in mammals  
1353 (153, 630). The *farp* nomenclature based on chronology of discovery has not been followed  
1354 by other authors (630). However, a similar classification into five groups has been adopted  
1355 (for review: (826)) and further validated by phylogenetical analyses performed on sequences  
1356 from various vertebrates including mammals, other tetrapods, teleosts and lamprey (570).  
1357 These groups of RF-amide peptides were named by the authors: PQRFa (NPFF) group  
1358 corresponding to *farp-1*; PrRP group corresponding to *farp-2*; LPXRFa (GnIH) group  
1359 corresponding to *farp-3*; metastin (kisspeptin) group corresponding to *farp-4*; and QRFP  
1360 (26RFa) group corresponding to *farp-5* (for review: (805)).

1361 All the RF-amide peptides bind to G protein-coupled receptors (GPCRs). Dockray suggested,  
1362 as for *farp*s, to designate the receptors to the RF-amide peptides in the order they were  
1363 identified as putative RFamide receptors: accordingly, *rfr-1* for PrRP (*farp-2*) receptor (280);  
1364 *rfr-2* for RFRP-1 and RFRP-3/NPVF/GnIH (*farp-3*); *rfr-3* for NPFF and NPAF (*farp-1*)  
1365 receptors (68, 176, 281); *rfr-4* for metastin/kisspeptin (*farp-4*) receptor (375, 513, 549); *rfr-5*  
1366 for QRFP/26RF (*farp-5*) receptor (213, 322). Using phylogenetical analyses of more than 800  
1367 human GPCR sequences, Fredriksson (2003) showed five main families of GPCRs in human,

1368 which they named glutamate, rhodopsin, adhesion, frizzled/taste2 and secretin (208). The  
1369 rhodopsin family was divided into four groups:  $\alpha$ ,  $\beta$ ,  $\gamma$  and  $\delta$  (208). Kisspeptin receptor (also  
1370 named GPR54 or *rfr-4*) belongs to the  $\gamma$  group, more specifically to the SOG receptor cluster,  
1371 together with the receptors for non-RFamide peptides, somatostatin (S), opioid (O) and  
1372 galanin (G) (208). Receptors of NPFF (*rfr-3*), GnIH/RFRP (*rfr-2*), PrRP (*rfr-1*) and QRFP  
1373 (*rfr-5*) cluster within the  $\beta$  group, with receptors for non-RFamide peptides, neuropeptide Y  
1374 (NPY), cholecystokinin, GnRH, tachykinin, ghrelin, and neuromedin U (208).

1375 Several studies, based on synteny analysis and phylogenetic relationships of RF-amide  
1376 peptides and receptors, provide new insights into the RF-amide peptide superfamily (for  
1377 review: (904)). A gene encoding a PQRFa peptide has been identified in a cephalochordate,  
1378 the amphioxus, indicating the presence of a *pqrf* gene at least in a chordate ancestor (565).  
1379 This ancestral gene likely gave rise to *gnih* (*farp-3*) and its sister gene *npff* (*farp-1*), via one of  
1380 the two rounds of whole genome duplications (1R/ 2R) that occurred early in the vertebrate  
1381 lineage ((565); for reviews: (807, 904)). The authors also reported phylogenetical  
1382 relationships between NPFF, GnIH and QRFP (*farp-5*), suggesting a close evolutionary  
1383 relationship between these three groups of RF-amide peptides (904). Kisspeptin (*farp-4*) has  
1384 been proposed to be evolutionary more related to non RF-amide peptides, galanin and spexin,  
1385 than to other RF-amide peptides, and proposed to be classified as a member of the  
1386 galanin/spexin family ((359); for review: (904)). PrRP receptors likely share a common  
1387 ancestry with NPY receptors as reported by Lagerström and collaborators (385), linking the  
1388 PrRP group (*farp-2*) more to a non-RF-amide peptide family than to the other RF-amide  
1389 peptide groups. The grouping of the various RF-amide peptide subfamilies/groups in a same  
1390 RF-amide superfamily is thus currently a matter of debate (Figure 9).

1391

1392 **5.2. GnIH (*farp-3*) and evolutionary-related peptides (NPFF and QRFP) (*farp-1* and -5)**



1393 5.2.1. Discovery of GnIH in birds: direct inhibitory role on pituitary gonadotropins

1394 In 2000, Tsutsui and collaborators reported the isolation and characterization, from quail  
1395 brain, of a novel neuropeptide, having an RFa motif at the C-terminus, which dose-  
1396 dependently inhibits the gonadotropin, luteinizing-hormone (LH), release *in vitro* from quail  
1397 anterior pituitaries. They named this peptide gonadotropin-inhibitory hormone (GnIH) (808).

1398 In the quail, starling and duck, the GnIH precursor mRNA encodes a polypeptide that can  
1399 potentially be cleaved into three mature peptides with a C-terminal LPXRF-amide sequence  
1400 (X=L or Q), named GnIH-related peptide-1 (GnIH-RP1), GnIH and GnIH-RP2 (quail: (671);  
1401 starling: (814); duck: (207); for review: (378)). GnIH was identified as a mature endogenous  
1402 peptide by mass spectrometry analyses, in the brain of quail (808), starling *Sturnus vulgaris*  
1403 (814), zebra finch *Taeniopygia guttata* (788) and chicken (472), while GnIH-RP2 was also  
1404 identified in the brain of quail (671).

1405 In 2005, Tsutsui and colleagues identified a GnIH receptor (898), using primers designed  
1406 from the sequence of GPR147, a novel GPCR, also called NPPF receptor 1 (NPPFR-1) since  
1407 its discovery together with another NPPF receptor (NPPFR-2 or GPR74) in mammals (68).  
1408 As GnIH has higher affinity for NPPFR-1, the latter is considered to be the primary receptor  
1409 for GnIH (68, 426).

1410 The direct inhibitory action of quail GnIH on LH release was confirmed in another bird, the  
1411 chicken. An inhibitory effect of GnIH on LH release by pituitary slices was reported in the  
1412 sexually immature female White Leghorn while it was not observed *in vitro* in sexually  
1413 mature birds and nor on FSH release at both stages (446). In a hybrid of White Leghorn and  
1414 Silkie Breed, GnIH inhibits LH release (but not mRNA expression), as well as FSH release  
1415 and mRNA in pituitary explants (117).

1416 The direct effect of GnIH at the pituitary level is also supported by the detection of *gnih*  
1417 mRNA in the pituitary of various bird species (quail: (898); starling and quail: (51)) and by

1418 the colocalization of GnIH receptor immunoreactivity with LH $\beta$  or FSH $\beta$  mRNA expression  
1419 in the chicken pituitary gland (446).

1420

#### 1421 5.2.2. GnIH inhibitory role at the brain and gonadal levels in birds

1422 GnIH may also directly influence GnRH secretion as GnIH-ir fibers are observed in contact  
1423 with GnRH-ir neurons in many bird species (sparrow: (50); for review: (49); European  
1424 starling: (814); zebrafinch: (788)). Moreover, GnIH receptor mRNA is expressed in different  
1425 parts of the brain in quail and starling as shown by PCR (51), and more specifically in both  
1426 GnRH-I and GnRH-II neurons in European starling *Sturnus vulgaris* as shown by ISH/ICC  
1427 (814).

1428 Injection of GnIH rapidly reduces plasma LH and attenuates GnRH-induced rise in plasma  
1429 LH in sparrow (49, 569). In quail, continuous administration of GnIH for 2 weeks decreases  
1430 LH $\beta$  mRNA levels (818). In the Pekin duck, icv injection of GnIH reduces plasma LH  
1431 concentrations, while administration of GnIH-RP1 has no effect (207). One study reported no  
1432 effect of GnIH on LH plasma levels in a bird species: in the Rufous-winged sparrow, GnIH  
1433 does not affect basal or GnRH-stimulated plasma LH levels (149).

1434 PCR analyses reveal the presence of GnIH as well as GnIH-R mRNAs in the testis, ovary and  
1435 accessory reproductive organs (oviduct, epididymis and *vas deferens*) in starling and quail  
1436 (51). Similarly, transcripts for GnIH and GnIH-R are detected in the testis of house sparrow  
1437 *Passer domesticus* ((476); for review: (475)). In this latter species, GnIH decreases  
1438 testosterone secretion from cultured testis (476). This indicates possible local,  
1439 autocrine/paracrine actions of GnIH in the gonads in birds.

1440

#### 1441 5.2.3. GnIH in mammals

1442 The discovery of GnIH in birds has prompted investigations in mammals. The GnIH  
1443 precursor cDNAs identified from mammalian brain encode two GnIH peptides, also known as  
1444 RFamide-related peptides (RFRP): RFRP-1 and -3 (for reviews, see (804–806); rat: (281,  
1445 822); mouse : (281); Siberian hamster (813); bovine (212, 281, 900); monkey (815); human  
1446 (281, 816)). Like avian GnIH and GnIH-RPs, all these peptides possess a common C-terminal  
1447 LPXRFamide (X=L or Q) motif, with RFRP-1 being a C-terminal LPLRFamide peptide and  
1448 RFRP-3 a LPQRFamide peptide (for review: (807)). In human and bovine (not in rat and  
1449 mouse), a third peptide, RFRP-2, is also predicted, but is a LPLRSamide peptide or a  
1450 LPLRLamide peptide, respectively (281). This RFRP-2 peptide could not be detected in an  
1451 extract of human hypothalamus by using an avian GnIH antibody-conjugated immunoaffinity  
1452 column and mass spectrometry, possibly due to its different C-terminal motif or because it is  
1453 not processed from the precursor (816). The rat GPR147 does not respond to hRFRP-2,  
1454 showing the importance of the C-terminal RFamide for the binding to the receptor (281, 816).  
1455 The RFRP-2 sequence is absent from the RFRP precursor in the Siberian hamster (813). Li  
1456 and collaborators suggested that the pig GnIH precursor encodes three RFRP peptides, two  
1457 with an LPLRFamide C-terminal sequence and one with an LPQRFamide C-terminal motif  
1458 (416). The authors reported also similar characteristics in the rabbit and golden hamster GnIH  
1459 precursors (416).

1460 In all mammalian species, as in birds, RFRP fiber terminals form close appositions with  
1461 GnRH neurons (hamsters (377); rats (325, 377); mice (377, 885); sheep (726); monkeys  
1462 (815); humans (816)). In the mouse, direct application of RFRP-3 on cultured brain slices  
1463 decreases the firing rate of a subpopulation of GnRH neurons, and this effect is maintained  
1464 when amino acid transmission is blocked, suggesting a direct suppressive action of RFRP-3  
1465 on the excitability of GnRH neurons (165).

1466 In addition to its effects on GnRH neurons, GnIH may also act directly at the pituitary level

1467 via its release in the portal blood in mammals as in birds. GPR147 (also referred to as  
1468 NPFFR-1), is expressed in the pituitary in rat (281), Syrian hamster (230) and human (816),  
1469 and RFRP-ir fibers are observed in the external layer of the ME in hamsters (230), sheep  
1470 (118) and humans (815, 816). However, other studies using a different antiserum failed to  
1471 detect RFRP-ir in the ME of rat brain and ip injection of the retrograde tracer Fluorogold did  
1472 not label RFRP cell bodies (639). RFRP-3 inhibits GnRH-stimulated gonadotropin synthesis  
1473 in pituitary gonadotropes in sheep *in vitro* (664), supporting a potential action at the pituitary  
1474 level. In Artiodactylae, RFRP-3 inhibits GnRH-induced, but not basal, LH and FSH secretion  
1475 and expression by primary cultures of pituitary cells (ewe: (118, 664); bovine: (332); pig:  
1476 (415)). In rat, Pineda et al (2010) observed an inhibitory effect of RFRP-3 on both basal and  
1477 GnRH-stimulated LH secretion (610), while other studies reported no effect (20) or an effect  
1478 only on GnRH-stimulated LH release (517). In the Syrian hamster, Ancel et al. (2012) found  
1479 no effect on either basal or stimulated LH release (17).

1480 The presence of GnIH and its receptor in the mammalian gonads (Syrian hamster testis (914);  
1481 human ovary (550); pig ovary and testis (416, 916)) suggests, like in birds, possible  
1482 autocrine/paracrine regulations via a local gonadal GnIH system. Indeed, in the mouse, *in vivo*  
1483 and *in vitro* studies show that GnIH/RFRP-3 treatment inhibits follicular development and  
1484 ovarian steroidogenesis in the female (719), as well as testicular steroidogenesis and  
1485 spermatogenesis in the male (22). Similarly, GnIH/RFRP-3 inhibits the synthesis and release  
1486 of estradiol by ovarian granulosa cells (415) and of testosterone by Leydig cells (916) *in vitro*  
1487 in pigs. Interestingly, a recent study investigating the role of RFRP-1 on ovarian activities  
1488 reported a stimulatory effect of RFRP-1 on ovarian steroidogenesis at proestrus in the mouse,  
1489 but an inhibitory action on ovarian folliculogenesis (141).

1490 Using a mouse line with genetic inactivation of NPFFR-1, it has been demonstrated that the  
1491 NPFFR-1 pathway is dispensable for preserved puberty and fertility ((401); for review:

1492 (402)). To the best of our knowledge, there is no report on the possible impact of *gnih* (*npvf*)  
1493 gene inactivation in mice.

1494

1495 5.2.4. Current studies on the presence and role of GnIH in the reproduction in other  
1496 vertebrates

1497 a. In other sauropsids

1498 In sauropsids, apart from birds, three GnIH peptides (GnIH, GnIH-RP-1 and GnRH-RP-2)  
1499 have been characterized in the red-eared slider turtle *Trachemys scripta elegans* (821), in the  
1500 Chinese softshell turtle and in the anole lizard (for reviews: (566, 807)), and they all possess  
1501 the common C-terminal LPXRFamide motif, like the avian and mammalian peptides.  
1502 However, few studies have investigated their potential physiological roles. Brain localization  
1503 of GnIH by ISH and/or immunohistochemistry has been reported in the Japanese grass lizard  
1504 *Takidromus tachydromoides* (350) and the red-eared slider turtle (821). In the lizard *Calotes*  
1505 *versicolor*, ovarian localization of GnIH has also been reported and GnIH is able to suppress  
1506 ovarian GnRH receptor expression (718).

1507 b. In amphibians: a GH-releasing factor (for review: (315))

1508 In the bullfrog *Rana catesbeiana*, a RF-amide peptide, isolated from hypothalami, showed  
1509 high (75%) sequence identity with quail GnIH (372). It was designated fGRP for “frog GH-  
1510 releasing peptide” as it exhibits growth hormone-releasing activity (372). In parallel, the same  
1511 peptide was isolated from the brain of the European green frog *Rana esculenta*, and named R-  
1512 RFa for “Rana-RFamide” (104). The cloning of a cDNA for fGRP revealed that the deduced  
1513 precursor encodes one fGRP and three putative fGRP-related peptides (fGRP-RP1, -RP2 and  
1514 -RP3) (672). These four peptides were all identified as mature peptides and found to have a  
1515 common C-terminal LPXRFamide with avian and mammalian GnIHs (824). Two of these  
1516 peptides (fGRP and fGRP-RP2) stimulate GH and/or PRL release *in vivo* and *in vitro*, while

1517 the other two (fGRP-RP1 and fGRP-RP3) have no effects ((372, 824); for review: (823)).  
1518 None of them is able to modify the release of gonadotropins (372, 824). The localization in  
1519 the amphibian brain is in agreement with other vertebrate distribution as positive neurons (cell  
1520 bodies) are present in the periventricular region of the hypothalamus (372, 612, 673). In  
1521 contrast, nerve fibers are widely distributed throughout the brain (612) notably in the  
1522 olfactory system ((194, 612). An urodele, the Japanese red-bellied newt *Cynops pyrrhogaster*  
1523 possesses four GnIH peptides (nLPXRFa-1, nLPXRFa-2, nLPXRFa-3 and nLPXRFa-4) but  
1524 no functional studies have been performed yet (114). The GnIH system and its functional  
1525 significance in amphibians has been recently reviewed (315).

1526 c- In basal sarcopterygian and actinopterygian

1527 In a basal sarcopterygian, the coelacanth *Latimeria chalumnae*, a GnIH precursor gene has  
1528 been identified, encoding three putative LPXRFamide peptides and one LPXRFamide-like  
1529 peptide, which align with human RFRP-1/quail GnIH-RP1, human RFRP-2/quail GnIH,  
1530 human RFRP-3, and quail GnIH-RP2, respectively (for review: (516)).

1531 In a basal, non-teleost actinopterygian, the spotted gar *Lepisosteus oculatus*, a GnIH precursor  
1532 encodes three putative LPXRFamide peptides, which align with human RFRP-1/quail GnIH-  
1533 RP1, human RFRP-2/quail GnIH, and human RFRP-3, respectively (for review: (516)).

1534 d - In teleosts: positive and negative effects on gonadotropins

1535 Up to now, in teleosts, only a single gene for GnIH has been identified as in the spotted gar.  
1536 However, owing to the teleost specific WGD (3R), two GnIH genes would have been  
1537 expected. This suggests the loss of one of the 3R-GnIH duplicated paralogs shortly after the  
1538 3R event.

1539 Most of the teleost GnIH precursors encode three LPXRFamide or LPXRFamide-like  
1540 peptides which align with human RFRP-1/quail GnIH-RP1, human RFRP-2/quail GnIH, and  
1541 human RFRP-3, respectively (for reviews: (516, 807)). In some species, the precursor

1542 encodes only two peptides which align with human RFRP-1/quail GnIH-RP1, and human  
1543 RFRP-2/quail GnIH, respectively. Most GnIHs identified in teleosts possess the common C-  
1544 terminal LPXRFamide motif observed in other vertebrate GnIHs.

1545 Concerning the physiological role of GnIH in the control of the gonadotropic axis, the  
1546 situation appears more complex in teleosts than in other vertebrates. In the goldfish, GnIH  
1547 inhibits GnRH-stimulated *lhβ* and *fshβ* expression by primary cultures of pituitary cells, with  
1548 no effect on basal gonadotropin expression (625), while other studies describe either  
1549 stimulatory, inhibitory or no effect on both basal and stimulated LH (release and expression),  
1550 depending on the gonadal stage (510, 511). A stimulatory effect of goldfish LPXRa was  
1551 observed on LH and FSH release by salmon pituitary cells (14). Similarly, goldfish LPXRa  
1552 stimulates *lh* and *fsh* expression by whole pituitaries of grass puffer (700). In tilapia,  
1553 treatment of pituitary cells in primary culture with tilapia LPXRfa-2 induces a significant  
1554 increase in both FSH and LH release (60). In *Cichlasoma dimerus*, homologous LPQRfa-1  
1555 decreases LH and FSH release, while LPQRfa-2 is able to stimulate FSH release (whole  
1556 pituitaries: (899)). In a basal teleost, the eel *Anguilla anguilla*, ongoing studies indicate that  
1557 the three peptides encoded by the eel *gnih* gene exert an inhibitory effect on *lhβ* mRNA  
1558 expression by eel pituitary cells.

1559 e- In cyclostomes (agnathans)

1560 Tsutsui and colleagues in collaboration with Sower's laboratory (563) have cloned the  
1561 lamprey GnIH precursor cDNA that encodes a precursor encompassing three GnIH peptides  
1562 (lamprey LPXRfa-1a, LPXRfa-1b and lamprey LPXRfa-2). The lamprey GnIH peptides  
1563 have a C-terminal PQRfamamide motif, unlike most GnIHs, but like NPFF, in gnathostomes. *In*  
1564 *vivo* administration of one of the lamprey GnIHs (lamprey LPXRfa-2) stimulates the  
1565 expression of lamprey GnRH (GnRH3) in the hypothalamus and gonadotropin β mRNA in  
1566 the pituitary (563). Thus, the authors suggest that GnIH may have emerged in agnathans as a

1567 stimulatory neuropeptide that subsequently diverged to an inhibitory neuropeptide during the  
1568 course of evolution from basal vertebrates to later-evolved vertebrates, such as birds and  
1569 mammals (563).

1570

#### 1571 5.2.5. Origin and evolution of GnIH and its receptors in vertebrates

1572 Osugi and collaborators showed that agnathans possess both GnIH and NPF genes, with the  
1573 common C-terminal PQRamide motif (563, 570).

1574 Tsutsui and colleagues hypothesized that vertebrate GnIH and NPF genes may derive from a  
1575 common ancestral gene present in protochordates (for review: (807)). In protochordates, a  
1576 precursor cDNA of amphioxus PQRamide peptides was then identified. This precursor  
1577 encodes three mature peptides characterized by immunoaffinity purification and mass  
1578 spectrometry (565). The conserved syntenic region around the loci of the amphioxus  
1579 PQRamide peptide gene, as well as of the GnIH gene and NPF gene in vertebrates (565),  
1580 suggests that GnIH and NPF paralogous genes may originate from WGD in early vertebrates  
1581 (for review: (567)) (Figure 9). As amphioxus PQRamide peptides inhibit forskolin-induced  
1582 CRE-luciferase activity in COS-7 cells expressing the amphioxus PQRa receptor 1 (565),  
1583 the authors suggested that the common ancestral peptide of GnIH and NPF has played an  
1584 inhibitory role in reproduction in ancestral chordates (807). The inhibitory role of the  
1585 ancestral peptide would have been conserved for GnIHs in mammals, birds and some teleosts,  
1586 whereas a change from inhibitory to stimulatory role would have occurred in agnathans and  
1587 some teleosts (807). In fact, the GH- and PRL-releasing activity of GnIH in amphibians with  
1588 the lack of effect on gonadotropin secretion suggests a larger flexibility in the possible  
1589 physiological roles of GnIH peptides in the course of vertebrate evolution.

1590 Concerning GnIH receptors, two GPCRs have been identified in birds and mammals:  
1591 (LPXRF-R or NPF1R-1 or GnIHR or OT7T022) considered as the primary GnIH receptor



1592 and GPR74 (PQRF-R or NPFFR-2) with a lower affinity for GnIH (for review: (543)).  
1593 In teleosts, up to three different GnIH receptor genes (*gnihr1*, *gnihr2* and *gnihr3*), that share  
1594 high sequence identity with the mammalian and avian GPR147, have been isolated in  
1595 zebrafish (913), goldfish (625) and common carp (599). This may reflect the impact of teleost  
1596 specific WGD (3R) or of the additional WGD that occurred in some cyprinids (4R in goldfish  
1597 and some carps). However, in most teleosts, only one receptor has been identified so far  
1598 (grass puffer LPXRF-R (700); tilapia LPXRF-R (60); orange-spotted grouper GnIHR (858);  
1599 clownfish GnIHR (113); tongue sole LPXRFa-R (853)). Further investigations are thus  
1600 clearly needed.

1601 Elphick and Mirabeau have identified a GnIH/NPFF-type receptor gene in the genome  
1602 database of the hemichordate *Saccoglossus kowalevski* (174). Phylogenetic analyses grouped  
1603 the receptors of vertebrates into NPFFR-1 (GPR147) and NPFFR-2 (GPR74), and the  
1604 receptors of insects into SIFR (817). Deuterostomian NPFFR genes have already been  
1605 proposed to share a common evolutionary origin with protostomian SIFR genes (492).

1606

#### 1607 5.2.6. NPFF (PQRF) group (*farp-1*)

1608 The first NPFF (PQRF) peptide to be reported was isolated from the bovine brain and  
1609 characterized as a pain modulatory peptide (896). NPFF peptides possess a similar C-terminal  
1610 structure (PQRFamide motif) as some GnIH peptides (for review: (577)). As previously  
1611 discussed, *npff* and *gnih* genes are paralogous genes that likely emerged from WGD in early  
1612 vertebrates. As GnIH precursors, the PQRFa precursor encompasses two to three putative  
1613 mature peptides: NPFF and NPAF in mammals, NPFF and NPAF in teleosts, and PQRFa,  
1614 PQRFa-RP1 and PQRFa-RP-2 in agnathans (lamprey and hagfish) (for review: (577)).  
1615 NPFF peptides have been largely investigated for their role in the control of nociception (for  
1616 review: (29)). Other actions have been also reported such as increasing arterial blood pressure

1617 and water intake, while decreasing food intake in mammals (for review: (577)). Compared to  
1618 GnIH or kisspeptin, few studies have been carried out to investigate the possible role of NPDF  
1619 in reproduction. In teleosts, one study reported that bath application of medaka NPDF inhibits  
1620 the pacemaker activity of terminal nerve GnRH neurons in the dwarf gourami (653). In  
1621 agnathans, one of the hagfish NPDF peptides directly stimulates pituitary expression of  
1622 gonadotropin  $\beta$  mRNA (568), while the lamprey peptides appear to possess a stimulatory  
1623 effect only on GnRH2 secretion (140). These data suggest that PQRamide peptides may play  
1624 a role in the reproductive system of lower vertebrates and that they might have adopted new  
1625 functions during the course of vertebrate evolution (568).

1626

#### 1627 5.2.7. QRFP (26RFa) group (*farp-5*)

1628 In 2003, a new peptide family was simultaneously identified by three different laboratories  
1629 (104, 213, 322). The first research group isolated the peptide from a frog brain extract, and  
1630 named it 26RFa after its 26 amino acid sequence and RF terminal motif (104). The other two  
1631 research groups identified the peptide while searching for ligands to an orphan GPCR  
1632 (GPR103 also referred to as AQ27 or SP9155) (213, 322). Fukusumi and collaborators named  
1633 it QRFP, after its pyroglutamylated arginine-phenylalanine-amide signature; the peptide  
1634 consists of 43 amino acid residues (213). Jiang and collaborators (2003) named it P52 and its  
1635 precursor protein, P518 (322). Comparative studies indicated that amphibian 26RFa and  
1636 mammalian QRFP/P52 are orthologs (825). Phylogeny analyses of RF-amide peptides and  
1637 receptors suggested a close relationship between QRFP (26RFa) (*farp-5*) on the one hand and  
1638 the GnIH and NPDF groups (*farp-3* and *farp-1*) on the other hand, likely resulting from local  
1639 gene duplication, preceding vertebrate WGD (904) (Figure 9).

1640 A QRFP (26RFa) gene has been described in amphioxus (492, 889), suggesting that the gene  
1641 existed in chordates before the emergence of vertebrates. As all vertebrates studied so far

1642 possess a single gene, this suggests that duplicated paralogs resulting from the successive 1R,  
1643 2R WGD in early vertebrates and from 3R WGD in early teleosts, might have been lost (for  
1644 review: (404)).

1645 The main role reported for 26RFa/QRFP is the control of feeding behaviour with a potent  
1646 orexigenic effect in mammals and birds, while it may also exert other various functions (for  
1647 reviews: (102, 103, 105, 404, 825)). Concerning reproductive functions, *in vitro* and *in vivo*  
1648 studies support the involvement of 26RFa in the control of the gonadotropic axis in mammals  
1649 (528). 26RFa dose-dependently stimulates basal and GnRH-induced LH secretion by male  
1650 and cyclic female rat pituitaries *in vitro* (528). Similarly, *in vivo* (icv or systemic) injection of  
1651 26RFa induces a significant increase of serum LH levels in cyclic and ovariectomized females  
1652 (528). Patel and collaborators tested the more potent GPR103 ligand, QRFP43, *in vivo* and *in*  
1653 *vitro* (594). They reported that icv injection of QRFP43 to male rats increases plasma LH and  
1654 FSH levels; in contrast, intraperitoneal administration does not influence circulating  
1655 gonadotropin levels (594). *In vitro*, QRFP43 stimulates GnRH release from hypothalamic  
1656 explants from male rats and from the immortalized hypothalamic GnRH-producing neurons  
1657 (GT1-7 cells) (594). In teleosts, one study in the goldfish reported that intraperitoneal  
1658 injection of 26RFa increases plasma LH levels; the peptide may exert its action at the brain  
1659 level, since 26RFa has no direct effect on LH release *in vitro* by primary cultures of pituitary  
1660 cells (431).

1661

### 1662 **5.3. A raising star in mammalian reproduction: Kisspeptin (*farp-4*)**

#### 1663 5.3.1. Discovery of Kiss in mammals

1664 In 1996, a metastasis suppressor gene for melanoma cells was identified and called Kiss-1...  
1665 as a tribute to the chocolate speciality of the city of the authors (227). Then, in 1999, the  
1666 cDNA of a novel GPCR was isolated from rat brain and named GPR54 (396). Since the

1667 highest identity of this orphan GPCR was observed with the galanin receptors and since its  
1668 cerebral distribution was similar to those of galanin receptors, the authors suggested that the  
1669 endogenous ligand of GPR54 may have a peptidergic nature (396). Two years later, the  
1670 natural ligands of GPR54 were isolated from human placenta (375). The Kiss-1 gene encodes  
1671 a 54 amino-acid peptide which may be further processed into shorter peptides of 14 and 13  
1672 amino-acids (290, 549), all designated as kisspeptins (375). The peptide of 54 amino-acid  
1673 residues was also named metastin (549). The 10-amino acid C-terminal fragment of  
1674 kisspeptins (or kiss peptides) carries the biological activity (375). The functional importance  
1675 of the C-terminal amidation was shown by the lack of binding and functional response for  
1676 non-amidated synthetic kisspeptins (375).

1677 A few years later, a pivotal role of kisspeptin in the control of reproduction was revealed. The  
1678 discovery by three research groups (214, 648, 693) that inactivation of kisspeptin receptor  
1679 (GPR54) leads to hypogonadotropic hypogonadism in human patients (loss-of-function  
1680 mutations) and in mice (knock-out, KO) retained attention of reproductive endocrinologists  
1681 and initiated intensive research on kisspeptin for many years. Hypogonadotropic  
1682 hypogonadism was also observed in *Kiss1* KO mice (135). Conversely, mutations leading to  
1683 higher resistance of kisspeptin to degradation (714) or prolonged activation of GPR54 (774)  
1684 can induce precocious puberty onset in humans (for review: (714)).

1685

### 1686 5.3.2. Role of Kiss in the control of reproduction in mammals

#### 1687 a- Stimulation of GnRH neurons

1688 Peripheral (subcutaneous, sc) or intracerebroventricular (icv) injection of kisspeptin increases  
1689 plasma levels of gonadotropins and this response is abolished by the use of a GnRH  
1690 antagonist (icv, mice: (237); icv, rats: (307); sc, rats: (464); icv, monkeys: (698)), suggesting  
1691 a stimulatory effect of kisspeptin on gonadotropins via activation of hypothalamic GnRH

1692 neurons. In addition, coexpression of GPR54 mRNA by GnRH neurons is observed in rat  
1693 (307) and mouse (483). Icv administration of kisspeptin in sheep also induces a robust release  
1694 of GnRH into the cerebrospinal fluid (483). Intraperitoneal (ip) injection of kisspeptin in  
1695 wild-type mice stimulates LH and FSH release, but has no effect in *gpr54*<sup>-/-</sup> mice (483). All  
1696 these data define the kisspeptin system (ligand and receptor) as a major stimulator of the  
1697 gonadotropic axis *via* induction of GnRH in mammals (rodents, sheep and primates). In rats  
1698 and mice, two distinct subpopulations of kisspeptin neurons with different roles on  
1699 GnRH/gonadotropic axis have been identified: the hypothalamic arcuate nucleus  
1700 subpopulation is involved in the pulse mode of GnRH/LH release while the anteroventral  
1701 periventricular nucleus subpopulation is implicated in the surge mode of GnRH/LH release (for  
1702 review: (820). A direct action of kisspeptin on GnRH neurons was demonstrated *in vitro*, as  
1703 kisspeptin induces GnRH release from mediobasal hypothalamus (MBH) explants, while this  
1704 did not occur in MBH explants from *Gpr54* null mice (770). Primary cultures of whole fetal  
1705 rat brain respond to exogenous kisspeptin with increased *gnrh* mRNA expression (750).  
1706 Using mouse GnRH-secreting neuronal cell lines (GT1-7 cells: (480); GN11 cells: (631)), two  
1707 studies also showed a stimulatory effect of kisspeptin on GnRH secretion and mRNA levels  
1708 (GT1-7 and GN11 cells: (540); GT1-7 cells: (780)); in contrast, another study using GT1-7  
1709 cells showed that kisspeptin fails to stimulate GnRH expression while increasing GnRH  
1710 receptor transcriptional activity ((751); for review: (343)).

#### 1711 b- Direct action on pituitary and gonads

1712 The expression of GPR54 in the pituitary gland and in particular on LH $\beta$  cells in rat, ovine  
1713 and human suggests a potential direct action on pituitary cells (for reviews: (218, 636)). In  
1714 most mammals, kisspeptin-10 is able to stimulate LH secretion *in vitro* (rat: (527); bovine and  
1715 porcine: (759); ovine: (727); baboon: (440)). However, other studies in rats have been unable  
1716 to find any detectable action of kisspeptin on LH directly at the pituitary level (464, 783).

1717 Few data are available on *in vitro* FSH regulation by kisspeptin in mammals. Either no effect  
1718 on FSH release (baboon: (440)) or moderate stimulation of GnRH-enhanced FSH secretion  
1719 (526) has been reported. Concerning the transcriptional regulation of gonadotropins, Witham  
1720 and collaborators showed, using both the mouse pituitary gonadotrope cell line L $\beta$ T2 and  
1721 murine primary pituitary cells, that kisspeptin induces LH $\beta$  and FSH $\beta$  expression through the  
1722 activation of KissR-1 signaling via PKC (876).

1723 Expression of kisspeptin, as well as GPR54, in mammalian ovary (rat: (91); swine: (37)) and  
1724 testis (mice: (854); goat: (660); primate: (306)) supports a role of the local kisspeptin system  
1725 at the gonadal level. *In vitro* studies on the functional role of the kisspeptin system in gonads  
1726 have so far given contradictory results in mammals, with no (mouse Leydig cells: (479, 854);  
1727 Rhesus monkey testes: (769)) or stimulatory effect on steroidogenesis (swine granulosa cells:  
1728 (38); goat Leydig cells: (661)). In addition, kisspeptin was shown to stimulate fertilization  
1729 capacity of mouse spermatozoa (292).

1730

### 1731 5.3.3. Multiple Kiss and Kiss receptor genes in vertebrates: impact of WGD

#### 1732 a- 1R and 2R WGD origin of multiple Kiss genes followed by gene losses during vertebrate 1733 evolution (Figure 10)

1734 While, in rodents, a single gene (*Kiss1*) is present, up to three *Kiss* genes have been identified  
1735 in other vertebrate lineages including cyclostomes (2 genes), chondrichthyes (2 or 3 genes),  
1736 actinopterygians (1 or 2 genes), basal sarcopterygian (coelacanth: 3 genes), amphibians (up to  
1737 3 genes), sauropsids (0, 1 or 2 genes), as well as in non-rodents mammals (1 or 2 genes).  
1738 Phylogenetic analysis classified the identified *Kiss* genes into three different clades (i.e., *Kiss1*,  
1739 *Kiss2* and *Kiss3* clades, leading to a phylogenetically-based nomenclature according to  
1740 Pasquier and collaborators (587, 592). The current three *Kiss* genes may derive from a single  
1741 ancestral gene duplicated through the two successive WGD (1R and 2R) in early vertebrates

1742 (for review: (587)). These 1R and 2R events should have yielded four different *Kiss* genes in  
1743 vertebrates, and syntenic analysis supports the potential existence of a fourth *Kiss* gene  
1744 (*Kiss4*) in early vertebrates (587, 592).

1745 The current diversity of *Kiss* gene numbers (from 0 to 3) in extant vertebrate species is the  
1746 result of multiple and independent pseudogenization processes and gene loss events during  
1747 vertebrate evolution that occurred after the 1R and 2R events (for review: (587)). The loss of  
1748 the putative *Kiss4* gene would have occurred early in vertebrate evolution (shortly after the  
1749 2R) as it is absent in all extant species of key phylogenetical positions. Additional *Kiss* gene  
1750 loss events would have happened, as only a few extant representative species of  
1751 chondrichthyans (elephant shark) and sarcopterygians (coelacanth and *Xenopus*) possess three  
1752 *Kiss* genes. *Kiss3* would have been lost independently in early actinopterygians and early  
1753 amniotes, while *Kiss1* would have been lost independently in some teleosts and sauropsids,  
1754 and *Kiss2* in some sauropsids and some mammals. The *Kiss1* and *Kiss2* genes are thus the  
1755 most frequent *Kiss* genes in extant vertebrates. Among sauropsids, both *Kiss1* and *Kiss2*  
1756 genes are present in some groups such as chelonians (turtle) and crocodylians, while *Kiss1* has  
1757 apparently been lost independently in some squamates (anoles) and in birds. Furthermore,  
1758 *Kiss2* has undergone pseudogenisation and loss during bird evolution, leading to the lack of  
1759 *Kiss* in some species such as the chicken, falcon or parrot (591). In mammals, *Kiss1* and  
1760 *Kiss2* are both present in a prototherian mammal (platypus), while *Kiss2* has undergone  
1761 pseudogenisation and loss in metatherian (opossum) and eutherian mammals (for review:  
1762 (587)). Although a *Kiss2*-like gene is present in the genomes of primates including humans,  
1763 due to the lack of amidation signal in the precursor, the endogenous *Kiss2* peptide may not be  
1764 functional or produced (564).

1765 While teleost 3R WGD (TWGD) should have generated additional *Kiss* paralogs, extant  
1766 teleost species do not possess more *Kiss* genes than a non-teleost actinopterygian (spotted gar)

1767 (*Kiss1* and *Kiss2*) (592). The lack of impact of TWGD suggests a massive loss of 3R-Kiss  
1768 paralogs shortly after the 3R event. Furthermore, additional loss of *Kiss1* led to the presence  
1769 of a single Kiss gene (*Kiss2*) in some teleosts such as the tetraodon and stickleback (587).

1770 b- 1R and 2R WGD origin of multiple Kiss receptor genes followed by gene losses during  
1771 vertebrate evolution (Figure 11)

1772 While, in mammals, only a single gene encodes kisspeptin receptor (*KissR*), several *KissR*  
1773 genes have been identified in other vertebrates including chondrichthyes (2 genes), teleosts (1,  
1774 2 or 3 genes), amphibians (3 genes) and sauropsids (0, 1 or 2 genes) (for review: (587)). As  
1775 for *Kiss* genes, the multiple *KissR* genes may arose from 1R and 2R, so that the potential  
1776 existence of four *KissR* paralogs in vertebrates has been hypothesized (361, 398). Actually, a  
1777 fourth *KissR* has been discovered in extant representative species of basal sarcopterygians  
1778 (coelacanth) and actinopterygians (spotted gar). Phylogenetic analysis classified the identified  
1779 *Kiss* genes into four different clades (*i.e.*, *KissR1*, *KissR2*, *KissR3* and *KissR4* clades),  
1780 according to the nomenclature by Pasquier and colleagues (587, 589). Phylogenetic and  
1781 syntenic analyses indicate that these four paralogs likely resulted from 1R and 2R WGD  
1782 ((589, 592). This suggests that a *KissR* ancestral gene was present before the emergence of  
1783 vertebrates. In agreement with this hypothesis, *KissR* homologous genes have been identified  
1784 in non-vertebrate deuterostomes (174). The *KissR1* and *KissR3* clades are more closely  
1785 related to each other than to *KissR2*, and likely represent sister clades stemming from 2R  
1786 (587). A phylogenetic reconstruction of a gene family associated with the *KissR* paralogon,  
1787 the PALM family (298), also supports the hypothesis that 2R gave rise to *KissR1* and *KissR3*  
1788 sister paralogons on the one hand, and of *KissR2* and *KissR4* sister paralogons on the other  
1789 hand.

1790 As for the *Kiss* genes, after the 1R and 2R events, the history of the *KissR* family was driven,  
1791 throughout vertebrate evolution, by multiple gene loss events leading to the current diversity



1792 of KissR. *KissR4* has been lost independently in the actinopterygian and sarcopterygian  
1793 lineages. In actinopterygians, this event has likely occurred in a teleost ancestor after the  
1794 emergence of holosteans (e.g. the spotted gar still possesses the four KissRs). Among  
1795 sarcopterygians, *KissR4*, which is still present in a basal species (coelacanth) in some  
1796 sauropsids (chelonian and squamates) and in prototherian mammals (platypus), has been lost  
1797 independently in the amphibian lineage, in some sauropsids (crocodilians) and in the common  
1798 ancestor of metatherian and eutherian mammals, including human which possesses a single  
1799 KissR (*KissR1*).

1800 As for Kiss, due to massive gene losses, no effect of the teleost-specific TGWD can be  
1801 recorded on the current number of *KissR* in teleosts (587, 589, 592). This is further supported  
1802 by a recent study in pejerrey *Odonthesthes bonariensis* including phylogenetic analyses (791).

#### 1803 c- Gene conservation or losses and variations in Kiss/KissR couples

1804 Comparison of the evolutionary histories of *Kiss* and *KissR* families (Figures 10 and 11)  
1805 highlights both common features and divergences (587). Four *Kiss* and four *KissR* genes  
1806 arose from 1R and 2R early in the vertebrate lineage, followed by repeated independent gene  
1807 loss events throughout vertebrate radiation. As a consequence of the independent and  
1808 asynchronous losses of *Kiss* genes, as well as of *KissR* genes, the extant vertebrate species  
1809 present various combinations of putative Kiss and KissR couples. For example, the same two  
1810 *Kiss* genes (*Kiss1* and *Kiss2*) have been conserved in a prototherian mammal (platypus) and  
1811 in some teleosts (e.g. zebrafish, seabass) but together with the conservation of different  
1812 receptors (*KissR1* and *KissR4* in platypus, versus *KissR2* and *KissR3* in zebrafish). Likewise,  
1813 unmatching numbers of *Kiss* and *KissR* genes are present in some species, such as three *Kiss*  
1814 genes versus four *KissR* genes in a basal actinopterygian, the spotted gar and a basal  
1815 sarcopterygian (coelacanth), or two *Kiss* genes versus three *KissR* genes in a basal teleost, the  
1816 eel (587, 592). Such variations in the putative couples between Kiss and KissR paralogs

1817 reveal a lack of maintenance and co-evolution of specific Kiss/KissR couples during  
1818 vertebrate evolution. This may have been favored by the promiscuity of Kiss receptors  
1819 towards various Kiss peptides, related to the high conservation of the 10 amino-acid C-  
1820 terminal biologically active sequence (kisspeptin-10 or Kp-10) (398, 413, 561). In species  
1821 where multiple *Kiss* and *KissR* paralogous genes have been conserved, differential  
1822 physiological roles related to subfunctionalisation or neofunctionalisation may have emerged  
1823 between paralogs.

1824

#### 1825 5.3.4. Current studies on the role of Kiss in reproduction in non-mammalian vertebrates

##### 1826 a- In amphibians and reptiles

1827 In amphibians and reptiles, few functional studies are available and concern the action of  
1828 kisspeptin on the gonads. In the anuran amphibian *Rana esculenta*, *in vitro* Kp-10 treatment  
1829 induces testicular expression of both *gpr54* and estrogen nuclear receptor  $\alpha$ , *ER $\alpha$*  (109). In  
1830 this species, *ex vivo* treatment of testis with Kp-10 stimulates spermatogenesis (110, 111) and  
1831 upregulates the expression of testicular *ER $\beta$* , *gnrh 1* and 2, as well as the three types of *gnrh*  
1832 receptors (110). All the effects of Kp-10 in amphibians are counteracted by Kp-234, a  
1833 kisspeptin antagonist (109, 110). In the reptile *Uta stansburiana* (side-blotched lizard), intra-  
1834 coelomical treatment with kisspeptin up-regulates plasma testosterone levels (531).

##### 1835 b- In teleosts: positive and negative effects on reproduction

1836 Even before the demonstration of colocalization of GPR54 on GnRH neurons in mammals  
1837 (483), Parhar and collaborators reported that kisspeptin receptor (KissR2) localizes to  
1838 hypothalamic GnRH neurons in tilapia, using laser-captured single GnRH neurons (578).  
1839 Similarly, in the cichlid fish *Astatotilapia burtoni* (246) and striped bass *Morone saxatilis*  
1840 (919), GnRH1 neurons express KissR2 mRNA. In the chub mackerel *Scomber japonicus*,  
1841 GnRH1 neurons in the preoptic area co-express KissR1, but not KissR2 (545). Kiss1 and

1842 Kiss2 neurons show differential connections with GnRH neurons in the zebrafish brain (697,  
1843 732).

1844 In agreement with the expression of KissR by GnRH neurons, effects of kisspeptins on GnRH  
1845 neurons have been demonstrated in various teleost species. Kiss1 and Kiss2 peptides have  
1846 opposite effects on the electrical activity of hypophysiotropic GnRH3 neurons in adult  
1847 zebrafish: Kiss1 stimulates, while Kiss2 inhibits neuronal activity (915). In the striped bass  
1848 *Morone saxatilis*, only Kiss2 (but not Kiss1) upregulates the expression of the  
1849 hypophysiotropic *gnrh1* by *in vitro* brain slices (920). In contrast, in hypothalamic explants of  
1850 the half-smooth tongue sole, Wang and colleagues showed that Kiss2 has no effect on either  
1851 *gnrh2* or *gnrh3* mRNA levels (852). *In vivo* studies reported either no (zebrafish *gnrh 2* and *3*:  
1852 (366); grouper *gnrh3*: (707); hybrid bass *gnrh 2* and *3*: (919); yellowtail kingfish *gnrh1*:  
1853 (535); male chub mackerel *gnrh1*: (546, 691, 692)), stimulatory (grouper *gnrh1*: (707)) or  
1854 inhibitory (striped bass *gnrh1*, *2* and *3*: (918)) effects of Kiss peptides on brain transcript  
1855 levels of *gnrh*. Depending on the administration routes, in the female chub mackerel, both  
1856 stimulatory (sc (692)) and inhibitory (icv (546)) effects of Kiss2 have been reported on brain  
1857 *gnrh1* mRNA levels. These *in vitro* and *in vivo* studies thus indicate variable effects of  
1858 kisspeptins on GnRH in teleosts.

1859 Concerning the effect of kisspeptin on the pituitary in teleosts, direct (*in vitro*) stimulatory  
1860 action of kisspeptin 2 (Kp2) on pituitary LH secretion was reported in goldfish (895), striped  
1861 bass (918, 920) and sea bass (179), but no effect of Kp1 was observed in goldfish (413) and  
1862 sea bass (179)). In contrast, in the European eel, heterologous and homologous Kiss peptides  
1863 all directly inhibit the expression of *lh*, with no effect reported on *fsh* (588, 590). In the  
1864 striped bass also, Kp1 is generally ineffective but, at high doses, can inhibit *lh* expression  
1865 (918, 920). A few studies also report a stimulatory effect of kisspeptins on FSH (striped bass,  
1866 Kp1 and Kp2 (918, 920); sea bass, Kp2 (179)).

1867 *In vivo* stimulatory (goldfish (413); sea bass (185); seahorse *Hippocampus erectus* (911)) or  
1868 no (goldfish (524)) action of kisspeptins on gonadotropins have been described in teleosts. In  
1869 the striped bass, kisspeptin action depends on the stage of development, as intramuscular  
1870 injection of Kp1 has no effect on LH at the pubertal stage, while both Kp1 and Kp2 increase  
1871 LH levels at gonadal recrudescence (919). In both sexes (adult immature stage) of the chub  
1872 mackerel *Scomber japonicus*, icv administration of Kp2, but not Kp1, increases *fshβ* and *lhβ*  
1873 mRNA levels (546, 547).

1874 The role of Kiss was further investigated in knocked-out fish models. Two studies reported  
1875 normal fertility in KO fishes for kisspeptin-related genes (zebrafish: (768); medaka: (524)).  
1876 In KO medaka for *kiss1*, *kiss2*, *gpr54-1* or *gpr54-2*, ovaries and testes develop normally as  
1877 compared to wild-type fish, with full-grown and late-vitellogenic follicles, and spermatozoa  
1878 being observed, respectively (524). There are also no significant differences in the expression  
1879 levels of both *lhβ* and *fshβ* between the kisspeptin-related gene KO lines and wild-type (524).

1880 Similarly, zebrafish with mutations for *kiss1*, *kiss2*, *kissr1* or *kissr2* show normal  
1881 gametogenesis and reproductive capability, as well as normal expression levels of *gnrh2*,  
1882 *gnrh3*, *lhβ* and *fshβ* (768). Double mutation (*kiss1*<sup>-/-</sup>; *kiss2*<sup>-/-</sup>), which prevents the  
1883 compensation between ligands, causes lower expression of *gnrh3*, *lhβ* and *fshβ*, supporting  
1884 that kisspeptin signalling stimulates the expression of these genes in zebrafish (768).

1885 However, these decreases had no impact on the phenotypes of the fish, as normal reproductive  
1886 performance was reported (768). As compared to the induction of hypogonadotropic  
1887 hypogonadism in mammals by loss-of-function mutation (human) or KO (mice) of *gpr54* or  
1888 *kiss1* KO, these observations suggest a dispensable role of Kiss in the neuroendocrine control  
1889 of reproduction in teleost models (zebrafish and medaka).

1890 Interestingly, a study readdressed this question in mice by using ablation of kisspeptin  
1891 neurons or of *gpr54*-expressing neurons (469). Differently from KO experiments, the authors

1892 observed no impact on the timing of puberty, suggesting that kisspeptin neurons play a role in  
1893 the optimization of reproductive success, by integrating various cues and relaying this  
1894 information to GnRH neurons, but are dispensable for puberty onset, activation of GnRH  
1895 pulses and fertility.

#### 1896 c- Loss of kiss function in birds?

1897 As mentioned above (§ 5.2.3 a, b), phylogenomic studies suggest that two Kiss genes (*Kiss1*  
1898 and *Kiss2*) have been inherited from the amniote ancestor. In the course of amniote evolution,  
1899 Kiss 1 has likely been lost early in the bird lineage, while it has been conserved in some other  
1900 sauropsids and in mammals. The existence of a *Kiss2*-like gene has been demonstrated in the  
1901 genomes of several bird species, mallard duck, zebra finch, and rock pigeon (591). These  
1902 avian *Kiss2*-like sequences diverge from those of other vertebrates and are not found in the  
1903 genomes of chicken, falcon and parrot (591), revealing the processes of *Kiss2* gene  
1904 pseudogenisation and loss in the avian lineage. Together with the loss of *Kiss1*, these results  
1905 support the absence of any functional kisspeptin in birds. Concerning Kiss receptors, two  
1906 genes (*KissR1* and *KissR4*) would have been inherited from the amniote ancestor. Synteny  
1907 studies demonstrate the loss of *KissR1* in the bird lineage, but cannot conclude for the  
1908 presence or not of *KissR4* with the current databases. Altogether, current phylogenomic  
1909 analysis suggests the loss of *Kiss* genes in birds and a possible conservation or loss of a Kiss  
1910 receptor (*KissR4*) (still to be found).

1911 Immunocytochemical studies reported the presence of kisspeptin-like immunoreactive  
1912 neurons in the medial preoptic nucleus of the hypothalamus in the mallard drake in close  
1913 proximity to GnRH fibers and almost all these neurons co-express aromatase (658). This may  
1914 correspond to the derived sequence identified in the duck even though the peptide mutations  
1915 and the variations in gene structure suggest a pseudogenisation (591). Kisspeptin  
1916 immunoreactivity is also observed in ovarian granulosa cells of hens (887), while genomic

1917 and syntenic analyses support the loss of Kiss in this species (591). In goose, immunoreactive  
1918 kisspeptin is also detected in the ovary (granular layer and theca of the follicle) and in the  
1919 plasma where concentrations vary during the reproductive cycle (295). This raises the  
1920 question as to whether the detection of immunoreactive kisspeptin in birds may result from  
1921 cross-reactions with other RF-amide peptides.

1922 A few functional studies using mammalian kiss peptides have been performed in birds.  
1923 Central (icv) administration of kisspeptin-52 is able to increase plasma LH levels in the  
1924 mallard drake, and pretreatment with a GnRH receptor antagonist prevented this increase in  
1925 LH levels (658). Kisspeptin also increases plasma LH levels in the white-crowned sparrow  
1926 (cited in (533)). However, in adult male chicken, human Kp-10 has an inhibitory effect, as  
1927 intravenous injections of Kp-10 suppress plasma testosterone levels (847). Kisspeptin-10  
1928 treatment stimulates progesterone secretion in cultured chicken granulosa cells (887).  
1929 Repeated injections of Kp-10 advance the initiation of egg-laying in the juvenile female quail  
1930 (533) by increasing lipid synthesis as well as upregulating estrogen receptor protein and  
1931 lipogenic gene expression in the liver (884). In the hypothalamus, Kp-10 induces an up-  
1932 regulation of *cgnrh-I* expression and a down-regulation of *gnih* expression. In the pituitary,  
1933 Kp-10 increases *lhβ* and *gnrh-rII* and decreases *fshβ* expression (533). Further studies are  
1934 warranted to investigate whether these actions of heterologous kisspeptin in birds are  
1935 mediated by a potential Kiss receptor (KissR4; still to be identified in birds) or by other RF-  
1936 amide peptide receptors.

1937

### 1938 5.3.5. Kiss before vertebrates

1939 In deuterostomes, in addition to vertebrates, two other sub-phyla constitute the phylum of  
1940 chordates: the urochordates and the cephalochordates. Neither kisspeptin nor kisspeptin  
1941 receptors have been found in urochordates (such as ascidians). In contrast, four kisspeptin-

1942 type precursors and 16 kisspeptin-like receptors have been identified in the cephalochordate  
1943 amphioxus *Branchiostoma floridae* (492), suggesting that multiple gene duplication events  
1944 specifically targeted Kiss and KissR in this lineage. In *B. floridae*, one of the reported genes  
1945 encodes three putative peptides, suggesting additional intra-gene duplication of peptidic  
1946 sequences, while the other genes encode a single peptide (492). More recently, 27 putative  
1947 KissR-like genes were identified in *B. floridae* (856). Further expression and functional  
1948 studies were performed in the amphioxus *B. japonicum* on one kiss-like gene (*BjkissL-2*) and  
1949 one kissR-like gene (*Bjgpr54L-1*) (856). Using qPCR and immunohistochemistry, the authors  
1950 showed that *BjkissL-2* mRNA and protein levels are higher in notochord/nerve cord, and  
1951 especially in the anterior region of the nerve cord (cerebral vesicle) and Hatschek's pit (856).  
1952 *Bjgpr54L-1* expression is predominantly observed by qPCR in the notochord/nerve cord,  
1953 moderate expression is seen in the testis and ovary, and lower expression in gill, muscle,  
1954 hepatic caecum and hind-gut (856). Two amphioxus peptides show functional interaction with  
1955 *Bjgpr54L-1*, while the receptor exhibits higher affinity for zebrafish Kiss peptides (856).  
1956 Amphioxus synthetic Kiss peptides induce LH release in sexually mature female zebrafish  
1957 and, in amphioxus, trigger the expression of *gpb5* mRNA, the glycoprotein subunit related to  
1958 vertebrate glycoprotein hormones (see section 3), suggesting an ancestral role of Kiss-KissR  
1959 in the neuroendocrine control of reproduction (856).

1960 In non-chordate deuterostomes, echinodermata and hemichordata are sister phyla in a clade  
1961 known as ambulacraria (285). The occurrence of kisspeptin-type receptors has been reported  
1962 in ambulacrarian species, the sea urchin *S. purpuratus* (phylum echinoderms) and the acorn  
1963 worm *Saccoglossus kowalevskii* (phylum hemichordates) (318, 492). Recently, kisspeptin-  
1964 type precursors have also been identified in ambulacrarians, the starfish *Asterias rubens*, *S.*  
1965 *purpuratus* and *S. kowalevskii* (694, 695). These precursors comprise two putative kisspeptin-  
1966 like peptides.

1967 Concerning protostomes, some kisspeptin-type receptors, but not yet a peptide precursor,  
1968 have been found in lophotrochozoa (mollusca and annelida) (87, 318, 492). Precisely,  
1969 kisspeptin-like receptors are present in mollusca, bivalvia (oysters, *Crassostrea gigas* and  
1970 *Pinctata fucata* and mussel, *Mytilus galloprovincialis*) and gastropoda (limpet, *Lottia*  
1971 *gigantea*; slug, *Aplysia californica*), as well as in annelida (worm, *Capitella teleta*) (87). The  
1972 occurrence of kisspeptin-like receptors in lophotrochozoan invertebrates suggests the  
1973 existence of kisspeptin-like peptides in these animals.

1974 According to Elphick and collaborators, the evolutionary ancestry of kisspeptin-type receptors  
1975 can be traced back to the common ancestor of the bilaterians, but with subsequent loss in  
1976 urochordate deuterostomes and ecdysozoan protostomes (for reviews: (174, 175)). However,  
1977 based on phylogenic and syntenic analyses using *Anopheles* mosquitoes (ecdysozoan), it  
1978 appears that allostatin type A receptors (AST-ARs) and KissR emerged from a common gene  
1979 ancestor after the divergence of galanin receptors (GALRs) in the bilaterian genome,  
1980 suggesting that invertebrate AST-ARs and ligands shared a common evolutionary origin with  
1981 vertebrate kisspeptin/galanin receptors and ligands (186).

1982

#### 1983 5.3.6. Kisspeptin, more related to galanin/spexin than to other RF-amide peptides

1984

1985 Originally, the kisspeptin receptor was discovered for its high degree of sequence similarity  
1986 with galanin receptors (396). Kim and collaborators found that spexin (*SPX*), galanin (*GAL*)  
1987 and kisspeptin (*KISS*) genes are on the same reconstructed vertebrate ancestral chromosome  
1988 (359). Their family genes are distributed among four 2R-generated paralogs (four linkage  
1989 groups). Three linkage groups contain *SPX1* and *KISS2*, *SPX2* and *GAL*, and *KISS3* and  
1990 galanin-like peptide (*GALP*), respectively. The fourth linkage group has *KISS1* alone. The  
1991 ancestral forms of *KISS*, *GAL* and *SPX* are proposed to arise by local tandem duplications  
1992 before 2R (Figure 9) and to expand their family members through 2R (359). Likewise,  
1993 *KISSRs* and *GALRs* have probably emerged through local duplications before 2R, producing



1994 three subgroups in vertebrates: KISSRs (4 KISSRs), GALR1 (GALR1a and GALR1b), and  
1995 GALR2/3 (GALR2a, GALR2b and GALR3)(for review: (904). SP1 and SPX2 are functional  
1996 ligands for GALR2 and GALR3 and are even more potent than GAL in activating GALR3  
1997 (359). The evolutionary origin of the KISS (*farp-4*)/SPX/GAL family is far distant from those  
1998 of the NPF (*farp-1*)/QRFP(*farp-3*) and PrRP(*farp-2*)/NPY families, so that some authors  
1999 propose that kisspeptin should be classified separately (for review: (904)). This infers that  
2000 common peptide sequences such as the C-terminal sequence shared by the RF-amide peptide  
2001 super-family may reflect conservation but also convergences of peptide sequences especially  
2002 suitable for bioactivity.

2003 The galanin peptide family is constituted of galanin, galanin message-associated peptide  
2004 (GMAP; encoded by the same gene as galanin), galanin-like peptide (GALP; encoded by a  
2005 distinct gene) and alarin (encoded by a splice variant of GALP gene) (for review: (389)).  
2006 Spexin (SPX; now renamed SPX1) was discovered in 2007 in human proteome (493). A  
2007 second form, SPX2, has been characterized in all vertebrates except mammals (359). GALR2  
2008 and GALR3, but not GALR1, have been shown to be the cognate receptors for SPX (359).  
2009 Regarding functional roles of these peptides, they share an involvement in the control of  
2010 reproduction, especially as a link between metabolism and reproduction, which have been  
2011 previously reviewed in depth by other authors (for reviews: galanin family, (182, 478);  
2012 GALP, (393); spexin, (441)).

2013

#### 2014 **5.4. Prolactin releasing peptide (PrRP) group (*farp-2*)**

2015 The search for the ligand of the human orphan pituitary receptor, hGR3, led to the  
2016 identification of a new peptide from bovine hypothalamic extract that acts as a prolactin-  
2017 releasing factor in rat anterior pituitary cells and was thus named prolactin releasing peptide,  
2018 PrRP (280). The prepro-protein generates at least two forms of mature peptide, PrRP31 and

2019 PrRP20 (a C-terminal fragment of PrRP-31) (280)). At the same time, another RF-amide  
2020 peptide, with a similar amino acid sequence, was isolated from the brain of a teleost, the  
2021 Japanese crucian carp, and named Carassius-RFa (C-RFa) (210). C-RFa homologs have been  
2022 characterized in other teleosts as well as in chicken, *Xenopus* and lamprey, but not in  
2023 mammals, and C-RFa had been considered as a teleost PrRP (for review: (762)). However,  
2024 while looking for PrRP and C-RFa in chicken, Wang et al (2012) found that PrRP and C-RFa  
2025 are encoded by distinct genes in non-mammalian vertebrates, originating through duplication  
2026 of an ancestral gene (386). Tachibana and Sakamoto (762) thus proposed that the widely used  
2027 name of PrRP/C-RFa in lower vertebrate species be renamed PrRP2, as previously suggested  
2028 by Wang and collaborators (859).

2029 Data in non-mammalian vertebrates indicate that PrRP and C-RFa/PrRP2 are able to stimulate  
2030 PRL release *in vitro* (teleosts: C-RFa in tilapia, (685); C-RFa in rainbow trout, (508, 646))  
2031 and *in vivo* (bird: comparison C-RFa et mPrRP, (763); amphibian: PrRP, (655); teleost:  
2032 (508)). In contrast, after the initial finding of Hinuma and collaborators (280), other studies in  
2033 mammals questioned the role of PrRP as a prolactin releasing factor and thus led to the  
2034 hypothesis that this role of PrRP may be ancient and even lost in mammals. In fact, there is  
2035 now clear evidence that PrRP is involved in the control of feeding behavior and energy  
2036 expenditure in mammals as well as in other vertebrates (for reviews: (154, 762)).

2037 Several studies support a role of PrRP in the neuroendocrine control of reproduction in  
2038 mammals. Icv injection of PrRP to male rats increases plasma LH, FSH and testosterone  
2039 levels (684), while icv administration of an anti-rat PrRP serum causes a reduction of LH  
2040 surge (283). As PrRP is not able to induce release of LH and FSH directly from dispersed  
2041 male pituitary cells *in vitro*, but instead can increase the release of GnRH from hypothalamic  
2042 explants (684), it was suggested that PrRP could stimulate gonadotropin secretion *via* a  
2043 hypothalamic mechanism involving the release of GnRH in male rat. The control of GnRH1

2044 neurons by PrRP in rat is further supported by the presence of PrRP fibers in the medial  
2045 preoptic area and of PrRP receptors in GnRH1 neurons (187). To the best of our knowledge,  
2046 no data are yet available for such a role in other vertebrates.

2047 Phylogenetic, pharmacological and paralogon analyses reveal that prolactin releasing  
2048 hormone receptor (PrRP-R) shares a common ancestry with neuropeptide Y (NPY) receptors  
2049 (385). In fact, NPY binds to PrRP-R1 and inhibits response of PrRP-R1-expressing cells to  
2050 PrRP, behaving as an antagonist. NPY-type peptides have an ancient origin in bilaterians as  
2051 they are present both in protostomes (328) and deuterostomes. An ancestral PrRP peptide  
2052 probably started coevolving with a redundant NPY receptor, which then became PrRP-R,  
2053 approximately 500 Million years ago (385). The distinct PrRP/NPY family genes and their  
2054 receptor genes emerged by local gene duplication during early vertebrate evolution (for  
2055 review: (904)) (Figure 9). NPY has been largely recognized for its involvement in the  
2056 interactions between food intake, metabolism and reproductive function (for reviews: (146,  
2057 473, 519)).

2058

### 2059 **5.5. Conclusion on RF-amide peptides**

2060 While RF-amide peptides, which all share a conserved C-terminal RF-amide signature, have  
2061 been described as a family of neuropeptides encoded by five different genes in mammals,  
2062 phylogeny and synteny analyses suggest that they do not all derive from a common ancestor  
2063 and perhaps should not be seen as a family.

2064 As reviewed above, RF-amide peptides, such as GnIH and kisspeptin, are critically involved  
2065 in the control of reproduction and puberty. Most RF-amide peptides (GnIH, kisspeptin,  
2066 QRFP/26RFa, PrRP) and non-RF-amide peptides which they are related to, such as NPY for  
2067 PrRP and galanin/spexin for kisspeptin, are also major regulators of food intake and  
2068 metabolism (for reviews: (153); GnIH, kisspeptin (848); kisspeptin (877); QRFP/26RFa

2069 (404); PrRP (762) ; galanin, spexin (182, 441) ; NPY (519)), which can be closely linked to  
2070 reproduction (452). Modulation of nociception is mainly exerted by NPFF and, to a lesser  
2071 extent, by other RF-amide peptides such as QRFP/26Rfa (for reviews: (29, 404)).

2072 Some data point out that RF-amide peptides display low selectivity toward the different RF-  
2073 amide peptide receptors, within and between receptor families. Cross-activities between RF-  
2074 amide peptides and their various receptors have notably been demonstrated *in vitro*. For  
2075 instance, PrRP has high affinity, and higher efficacy than NPFF, at the NPFFR-2 receptor  
2076 (178); 26Rfa interacts with a receptor distinct from GPR103 (26Rfa receptor) that may be  
2077 NPFFR-2 (74); Kisspeptin-10 exhibits high binding affinity and receptor activation towards  
2078 NPFFR-1 and NPFFR-2 (551). PrRP, kisspeptin and 26Rfa activate NPFFR-1 and NPFFR-2  
2079 and thus may modulate nociception (171).

2080 Together, these data highlight the complexity of the diversification of neuropeptides and their  
2081 receptors via local and whole genome duplications, conservation, losses and convergences,  
2082 and the putative variety of interactions between multiple paralogs of ligands and receptors.

2083

## 2084 **6. Non-peptidic neuromediators and the control of reproduction**

### 2085 **6.1. Introduction**

2086 In addition to GnRH and some other peptides, non-peptidic neurotransmitters such as  
2087 monoamines (catecholamines, indolamines and histamine), acetylcholine, and amino acids  
2088 (glutamic acid and gamma-aminobutyric acid, GABA) may also play a more or less  
2089 prominent role in the neuroendocrine control of reproduction (for reviews: (34, 222, 621, 840,  
2090 864, 875, 921)). This chapter will focus on the role of dopamine, norepinephrine, serotonin,  
2091 histamine, and GABA in the control of reproduction.

2092

#### 2093 **6.1.1. Ancient, multifunctional neuromediators**

2094 In the nervous system of adult vertebrates, neurotransmitters act as chemical mediators of  
2095 intercellular communication by the activation of specific receptors and second messengers in  
2096 postsynaptic cells. This specialized role appears to have evolved from more ancestral  
2097 functions in primitive organisms where these substances were used as both intra- and  
2098 intercellular signals. Indeed, a number of 'classical' neurotransmitters are present in primitive  
2099 organisms and early embryos in the absence of a nervous system (79) and it has been  
2100 suggested that these molecules “initially functioned as intracellular regulators, then became  
2101 local hormones, and finally acquired the role of synaptic transmitters” (80, 811).

2102 It is now clear that in vertebrates, that most known central nervous system neurotransmitter  
2103 substances may also participate in the regulation of pituitary secretion and that in some  
2104 instances “neurotransmitters” behave like releasing hormones. The best example is dopamine  
2105 (DA) which, in mammals, is released from nerve endings of tuberoinfundibular DA (TIDA)  
2106 neurons in the median eminence and pituitary stalk to activate DA receptors at the pituitary  
2107 level after being transported there by portal blood vessels. Hence, the definitions of  
2108 neurotransmitters and neurohormones are partially intermingled (810). Neurotransmitters can  
2109 participate in the control of pituitary secretion by serving as a neurotransmitter input, or  
2110 releasing factor output, of hypothalamic neuroendocrine transducer cells; they can act also  
2111 within these cells, or act as neurotransmitter within a nerve tract that impinges upon the  
2112 hypothalamus (23).

#### 2113 a- Monoamines

2114 Monoamines (such as catecholamines, serotonin, histamine) are evolutionary ancient  
2115 molecules. They are present in metazoa and also in some protozoa (811). They control neural  
2116 and endocrine systems in both non-vertebrates and vertebrates. In vertebrates, physiological  
2117 and pharmacological evidences make it clear that monoamines are involved in the regulation  
2118 of anterior pituitary hormone secretion, including gonadotropins (LH and FSH).

2119 -The catecholamines, dopamine (DA), norepinephrine (NE) and epinephrine (E) are major  
2120 neurotransmitters found in most, if not all, metazoan species, although the nature of the  
2121 catecholamines may differ between animal phyla. Their role as neuromediators or  
2122 neurohormones is documented in a limited number of species: While the neuromodulatory  
2123 functions of DA appears to be conserved in all bilaterians (505), that of NE is clearly  
2124 demonstrated only in vertebrates. In mammals, both have been implicated in the regulation of  
2125 GnRH secretion (222, 339).

2126 -The indoleamine, serotonin (5-hydroxytryptamine; 5-HT), first identified as a  
2127 neurotransmitter-signaling molecule in mammals, is ubiquitous across all forms of life. Cells-  
2128 containing 5-HT have been found in representatives from all major metazoan clades, *e.g.*,  
2129 cnidarians, plathyhelminths, nematodes, arthropods, annelids, mollusks, echinoderms,  
2130 tunicates and vertebrates (30, 137, 268) suggesting an early appearance during animal  
2131 evolution. As regards reproductive functions, various studies in vertebrates have  
2132 demonstrated a role of 5-HT in the secretion of reproductive neurohormones and sexual  
2133 behaviors (for review (621)).

2134 -Histamine (HA): Classically established as a “peripherally” important mediator of  
2135 inflammation, HA is now accepted to play a role in neurotransmission (254). The brain  
2136 histaminergic system is a phylogenetically old group of neurons that project to most regions  
2137 of the central nervous system (253).

#### 2138 b- GABA

2139 GABA (gamma amino butyric acid) is known as the main inhibitory neurotransmitter in the  
2140 brains of mammals (144). Such a function appears ancestrally derived, as GABA exerts  
2141 similar inhibitory functions in the nervous system of even the most primitive animals (238).  
2142 GABA plays a key role in the control of pituitary hormone release, including gonadotropins,  
2143 in mammals (414, 839) as in fish (799).

2144

2145 6.1.2. Non-peptidic neuromediators produced via enzymatic synthesis: phylogeny of enzymes  
2146 to retrace their evolutionary history

2147 Nonpeptidic neuromediators are decarboxylated derivatives of amino acids: DA and NE are  
2148 synthesized from tyrosine, 5-HT from tryptophan, HA from histidine, and GABA from  
2149 glutamic acid, in one or more enzymatically catalysed reactions of which the first serves as  
2150 the rate-limiting step.

2151  $\alpha$ -Aromatic Amino acid hydroxylases (AAAH)

2152 The first step in catecholamine and indoleamine biosynthesis is the ring hydroxylation of the  
2153 aromatic amino acid substrates (tyrosine or tryptophan respectively) catalysed by a class of  
2154 rate-limiting enzymes, the aromatic amino acid hydroxylases (AAAH). These proteins belong  
2155 to a family of tetrahydrobiopterin (BH<sub>4</sub>)-dependent monooxygenases, which in vertebrates  
2156 includes one phenylalanine hydroxylase (PAH), two tyrosine hydroxylases (TH1 and TH2)  
2157 and two tryptophan hydroxylases (TPH1 and TPH2).

2158 AAAHs are present in phylogenetically distant taxonomic groups such as bacteria, insects and  
2159 mammals (85). The TH, TPH, and PAH genes are found in all sequenced genomes of  
2160 bilaterians, supporting the presence of each of the AAAH family members long before the  
2161 divergence of chordates (595). Phylogenetic studies suggest that the AAAHs originated by  
2162 duplication and divergence of a common ancestral gene at the base of the eukaryotic tree.  
2163 Some lineage-specific intron loss or gain events have occurred during the expansion of  
2164 AAAH genes and generated diversity of gene structures (85). The high level of sequence  
2165 identity between different subfamilies suggests evolutionary conserved functions.

2166 In eukaryotes, these enzymes are composed of a homologous central catalytic domain to  
2167 which is attached discrete N-terminal regulatory domains and a short C-terminal  
2168 tetramerization domain, whereas the bacterial enzymes lack the N- and C-terminal domains.

2169 Therefore it is believed that the C-terminal portions of all three enzymes arised from a  
2170 common ancestor, and represent the catalytic core (243) while the amino terminal regions are  
2171 responsible for substrate specificity. The eukaryotic hydroxylases are all homotetramers (see  
2172 (195, 773).

2173 -TH catalyzes the hydroxylation of tyrosine to L-dihydroxyphenylalanine (L-DOPA),  
2174 the first and rate-limiting step in the biosynthesis of catecholamine neurotransmitters DA, NE  
2175 and E (409). Two paralogous genes encoding TH are found in teleost fishes, amphibians,  
2176 birds and non-eutherian mammals. They emerged as a consequence of a WGD which  
2177 occurred before the divergence of jawed vertebrates (probably 2R-WGD), but TH2 was  
2178 secondarily lost in eutherian mammals (893). The history of TH gene evolution within  
2179 vertebrates may be also shared by the other AAAH (893).

2180 -TPH catalyzes the hydroxylation of tryptophan to 5-hydroxytryptophan, the first and  
2181 rate-limiting step in the biosynthesis of serotonin (321).Two distinct molecular isoforms of  
2182 TPH, TPH1 and TPH2, resulting from a whole genome duplication (WGD) which occurred in  
2183 the vertebrate lineage, are present in the brains of zebrafish (44) as well as humans, mice and  
2184 rats (851). The TPH isoform discovered first is referred to as TPH1 and is primarily found in  
2185 the pineal gland of mammals (243, 421). By contrast, the second TPH isoform, TPH2 first  
2186 cloned from the rat pineal gland (139) is strongly expressed in 5-HT-producing neurons of the  
2187 raphe nucleus in mammals (593, 851), and also of the hypothalamus in teleosts (632).  
2188 Sequence homology analysis of vertebrate TPHs indicates that the sequence identity between  
2189 TPH1 and TPH2 within a species is low, whereas the sequence identities between TPH1s or  
2190 TPH2s from different species are relatively high. While two TPH genes (*tph1* and *tph2*), are  
2191 found in most groups of jawed vertebrates, in teleost fishes (for instance, in zebrafish,  
2192 stickleback and medaka) three paralogs (*tph1a*, *tph1b* and *tph2*) that likely result from the  
2193 teleost-specific whole genome duplication (TWGD), have been described (for review (421)).



2194 b- Amino acid decarboxylases (ADC)

2195 The aromatic amino acid decarboxylase (AADC), also called DOPA decarboxylase, is  
2196 encoded by the *ddc* gene, and transforms L-DOPA into DA. AADC also transforms 5-HTP  
2197 into 5-HT. AADC is a member of the large family of decarboxylases which include other  
2198 enzymes involved in the synthesis of neurotransmitters, such as histidine decarboxylase  
2199 (HDC) for histamine and glutamate decarboxylase (GAD) for GABA (651). HDC is highly  
2200 conserved throughout metazoa (254). AADC is present in both protostomes and  
2201 deuterostomes, suggesting its presence in ancestral bilaterians. AADC has been duplicated in  
2202 insects leading to two paralogous genes (*ddc* and *amd*). In mammals, alternative splicing  
2203 generates various *ddc* transcripts, one being specific to the nervous system (894).

2204 Glutamic acid decarboxylase (GAD) catalyzes the decarboxylation of glutamate, the (*single*  
2205 *and*) rate-limiting step in the biosynthesis of GABA. Throughout the vertebrate taxa, GAD  
2206 exists as two major isoforms, GAD65 and GAD67 (for review (799)). They are thought to  
2207 derive from 2 paralogous genes that arose in early vertebrates at least in a gnathostome  
2208 ancestor as both GAD65 and GAD67 paralogs have been cloned from two chondrichthyan  
2209 species; in contrast a single GAD appears to be present in non-vertebrate chordates,  
2210 urochordates (ascidians) and cephalochordates (amphioxus) in which the GAD sequence are  
2211 highly divergent (70, 391). There is also evidence for a third GAD gene in a teleost, the  
2212 armoured grenadier, although this paralog does not classify with either GAD 65 or 67. It is  
2213 found throughout the grenadier brain including the hypothalamus but its importance there  
2214 remains unexplored (799).

2215

2216 6.1.3. Origin and evolution of neuromediator receptors: direct phylogeny

2217 Neurotransmitter receptors are critical elements in intercellular signaling within the central  
2218 nervous system and are divided into two major types, based on their molecular structure and  
2219 biophysical properties.

2220 a- G-protein-coupled receptors (GPCRs)

2221 Most of, if not all, the physiological actions of catecholamines, indolamines and histamine, as  
2222 well as some actions of GABA (via GABA<sub>B</sub> receptors) are mediated by receptors which  
2223 belong to the largest membrane protein family known so far, the seven transmembrane (7-  
2224 TM) segment receptors coupled to heterotrimeric G-protein (G-protein-coupled receptors or  
2225 GPCRs). This family of receptors transmits the effect of agonist binding to the various  
2226 intracellular effectors by interacting with an intermediary G-protein (532). The diversity of  
2227 receptor subtypes inside this neurotransmitter receptor superfamily, observed in many animal  
2228 species, is the result of a long and complex evolutionary process consisting in gene  
2229 duplications and continuous accumulation of mutations. GPCRs are believed to have evolved  
2230 through a series of gene duplication and divergence events that started with a single ancestral  
2231 gene (209): the first event was the divergence of the catecholamine receptors from the  
2232 muscarinic acetylcholine receptors, which occurred prior to the divergence between  
2233 deuterostomes and protostomes, since they are present at least in arthropod and vertebrate  
2234 lineages. Subsequently, the ability to activate specific second-messenger pathways diverged  
2235 independently in both the muscarinic and the catecholamine receptors (209).

2236 The calculation of phylogenetical distances between bioamine receptors revealed two main  
2237 periods of diversification: the first one likely occurred in the Precambrian before the  
2238 separation between the protostomes and deuterostomes and corresponds to the appearance of  
2239 the main subtypes of bioamine receptors. The second one, might have accompanied the  
2240 cephalization of the CNS in vertebrates (836).

2241 b- Ligand-gated ion channels

2242 Ligand-gated ion channels, also called ionotropic receptors, are transmembrane ion-channel  
2243 proteins, which after binding of their ligands, allow the passing through of permeant ions  
2244 (such as sodium, potassium, chloride and calcium), leading to changes in membrane potential.  
2245 This superfamily of proteins is found in almost all forms of life (238), with strong structural  
2246 similarities despite the variety in ions gated and in ligands (850). Two subtypes of GABA  
2247 receptors (GABA<sub>A</sub> and GABA<sub>C</sub>) and the subtype 3 of serotonin (5-HT<sub>3</sub>) receptors are  
2248 members of this superfamily. They are composed of five homologous subunits. Evolutionary  
2249 scenario of the family of GABA<sub>A</sub> and glycine-like receptors (GRL), suggests the presence of  
2250 an ancestral receptor in bilateria and that a set of local gene duplications, WGD rounds in  
2251 early vertebrates (1 R and 2 R) and gene loss led to current set of GLR subunits in extant  
2252 vertebrates including human (803).

2253

## 2254 **6.2. A key-neuromediator: dopamine**

### 2255 6.2.1. Major brain neuromediator in human and other mammals

2256 Dopamine (DA) is a neurotransmitter broadly distributed in the vertebrate central nervous  
2257 system (CNS) (311). After its discovery as a neurotransmitter in the CNS of vertebrates ((88,  
2258 89), DA has raised large interest for its various roles in brain functions and its involvement in  
2259 severe human pathologies. DA systems regulate sensory perception, motor function, memory,  
2260 emotion, food intake, and various hypothalamic functions including the neuroendocrine  
2261 control of pituitary hormones. Pathologies related to the multiple functions of DA include  
2262 Parkinson's disease (291), schizophrenia, Tourette Syndrome, addiction to drugs, and  
2263 pituitary adenoma (for reviews (63, 311, 681)). The involvement of DA in diverse brain  
2264 functions is ensured by independent dopaminergic systems (894).

2265 a - Multiple brain dopaminergic systems; multiple brain functions; multiple receptors

2266 The dopamine systems in vertebrates are highly diversified anatomically and also molecularly  
2267 as regards DA biosynthesis enzymes and receptors. Gene duplications and losses have  
2268 contributed to this diversification (891–893). The mammalian brain contains ten  
2269 neuroanatomically distinct dopaminergic systems (named A8 to A17) located in the forebrain  
2270 and midbrain (64). The (A8-A10) DA neurons are involved in initiation of movement and  
2271 behavioral responses as well as in drug addiction. The A11 DA neurons are involved in  
2272 autonomic motor regulation, and the A12-A15 neurons in neuroendocrine regulation. The  
2273 A16 DA cell bodies in the olfactory bulb and A17 in the retina are involved in olfactory and  
2274 visual perceptions, respectively (63, 64, 724). Comparative anatomical and functional studies  
2275 highlight both conservation and divergences of DA forebrain and midbrain systems across  
2276 vertebrates (345, 724, 894).

2277 The pleiotropic activity of DA also relies on a diversity of receptors. DA exerts its actions on  
2278 target cells by activating specific membrane receptors belonging to two structurally and  
2279 functionally different classes of GPCRs, termed D1 and D2, and originally distinguished by  
2280 their ability to activate (D1 class) or inhibit (D2 class) adenylyl cyclase (351). D1 and D2  
2281 receptors also regulate other signal transduction pathways including calcium and potassium  
2282 channels and arachidonic acid synthesis [reviewed in (314, 494, 712, 828)]. D1 and D2  
2283 receptors both belong to the group A (rhodopsin-like) of the GPCR superfamily but have  
2284 different structural features. D1 receptor genes are intronless, and D1 receptor proteins exhibit  
2285 a short third cytoplasmic loop and a long C-terminal tail. They are coupled to the Gs family of  
2286 G proteins, and D1 receptor agonists promote adenylyl cyclase activity. In contrast, D2  
2287 receptor genes contain several introns and encode a long third cytoplasmic loop and a short C-  
2288 terminal tail. D2 receptors are coupled to the Gi/Go family of G proteins, and D2 receptor  
2289 agonists inhibit adenylyl cyclase activity.

2290 Each class of DA receptors comprises two to five subtypes depending on the vertebrate  
2291 species: in mammals, the D1 class comprises two receptor subtypes (D1 and D5), while the  
2292 D2 class comprises three receptor subtypes (D2, D3 and D4). However, in non-mammalian  
2293 species, additional DA receptor genes have been found. Phylogenetic analyses strongly  
2294 suggest that the common ancestor of Osteichthyans possessed four subtypes in the D1-class  
2295 (D1, D5, D6 and D7), and five subtypes in the D2-class (D2, D3, D4, D8/D2<sub>1</sub> and D9/D4<sub>rs</sub>;  
2296 (891, 892). While multiple gene losses have largely reduced the number of DA receptors in  
2297 mammals, many DA receptor genes have been conserved in other vertebrates; moreover,  
2298 teleost-specific WGD (3R) further increased the number of DA receptor genes in this lineage  
2299 (891).

2300 Notably, D1 and D2 DA receptors are phylogenetically not more related to each other than to  
2301 other monoamine receptors (82, 131, 892). This suggests that the ability to bind DA, shared  
2302 by the two receptor classes, was acquired independently reflecting a convergence process  
2303 during metazoan evolution.

2304 b- Neuroendocrine functions (e.g. major inhibitory regulator of pituitary prolactin via  
2305 dopamine D2 receptors)

2306 In mammals, DA represents the major nonpeptidergic agent exhibiting well-defined  
2307 neuroendocrine functions and its role as an inhibitor of pituitary lactotroph cell secretion  
2308 became recognized in the 1970s: based on the evidence of dopaminergic nerve terminals in  
2309 the median eminence (215), McLeod and coworkers (445) proposed that DA may be released  
2310 into the pituitary portal system, and thereby act as a hypothalamic hormone (distinct from its  
2311 neurotransmitter role in other systems). They demonstrated that dopaminergic agonists were  
2312 effective at suppressing prolactin (PRL) secretion *in vivo*, and *in vitro* from isolated pituitary  
2313 glands (445). DA was subsequently detected in the pituitary portal blood (340), and variations  
2314 of DA levels in the portal blood were shown to account for changes in PRL secretion in

2315 various physiological conditions (47, 48, 229, 242). DA receptors of the D2 class were  
2316 identified on anterior pituitary lactotroph cells (453). Finally, the observation that mice  
2317 lacking the DA D2 receptor are hyperprolactinemic (352, 652), clearly demonstrated the  
2318 critical role of DA in suppressing endogenous PRL secretion. Interestingly, in all hormonal  
2319 systems studied so far, whether at the hypothalamic, posterior pituitary, or anterior pituitary  
2320 level, DA functions as an inhibitor via DA receptors of the D2 class (for reviews (46, 241)).  
2321 While DA is now established as the primary regulator of PRL gene expression and release in  
2322 both mammals and teleost fish (46, 241, 872), it also exerts some negative control on the  
2323 release of growth hormone (GH), thyroid-stimulating hormone (TSH) and melanocyte-  
2324 stimulating hormone ( $\alpha$ -MSH) (for review (810)) in the pituitary of both mammals and teleost  
2325 fish, despite differences in the neuroanatomical organization of the hypothalamo-pituitary  
2326 axis between these vertebrate classes (32). An additional neuroendocrine action of DA,  
2327 initially discovered in teleosts and later demonstrated in various vertebrate species, is the  
2328 inhibitory control of gonadotropin secretion and reproductive function ((168, 603); see  
2329 section 6.2.4).

2330

### 2331 6.2.2. Evolution of tyrosine hydroxylase, key-enzyme of dopamine synthesis

#### 2332 a- Biosynthetic pathway of dopamine

2333 Dopamine is synthesized from the aromatic amino acid tyrosine through two enzymatic steps.  
2334 The first and limiting step is catalyzed by an aromatic amino acid hydroxylase (tyrosine  
2335 hydroxylase [TH]), and the second step by the aromatic amino acid decarboxylase (AADC),  
2336 often called DOPA-decarboxylase.  
2337 TH, as the other AAAHs, has at least one homolog in all bilaterian species studied so far. TH  
2338 probably evolved from an ancestral AAAH that did not have a regulatory domain and gave  
2339 rise to all three present-day AAAH (394).

2340 b- Tyrosine hydroxylase 1 and 2 in vertebrates

2341 The gene coding TH has been identified in species of several vertebrate groups, including  
2342 humans (521), rats (244), mice (301), bovines (136), quails (184), chicken (90) and lamprey  
2343 (35). Whereas only one gene encodes TH in mammals (with two to four proteic isoforms  
2344 generated by alternative splicing), two non-allelic TH genes (th1 and th2) exist in several  
2345 teleost species (84). Phylogenetic analyses showed that both th1 and th2 genes are not only  
2346 found in teleosts but also in all studied non-eutherian vertebrates, therefore in all vertebrates  
2347 except placental mammals (893). It is thus likely that the ancestral vertebrates possessed TH1  
2348 and TH2 DA-synthesizing cells.

2349 The existence of two paralogous TH genes in teleost fishes, amphibians, birds and non-  
2350 eutherian mammals suggests that the gene duplication giving rise to the two TH genes is  
2351 ancient in the vertebrate lineage (35) probably as a consequence of the second round (2R) of  
2352 WGD (548, 575, 713). While TH2 is still found in prototherian (platypus) and metatherian  
2353 mammals (opossum), it may have been lost in the eutherian mammalian lineage which  
2354 possess a single TH, TH1 (893). Genomes of many eutherians are fully sequenced, and the  
2355 chromosomal localizations of the TH genes and their syntenic genes support the loss of TH2  
2356 in the eutherian mammals. Indeed, apart from the absence of TH2 in the eutherian mammals,  
2357 the order of the neighbouring genes (IGF1, PAH, and ASCL1) at the locus is highly  
2358 conserved.

2359 c-Tyrosine hydroxylase in metazoa

2360 Tyrosine hydroxylation, and its regulation, is an ancient and critical biochemical pathway.  
2361 The hydroxylation of tyrosine to form L-3, 4-dihydroxyphenylalanine is an enzymatic  
2362 pathway utilized not only throughout animal phyla but in plants as well. TH, as the other  
2363 AAAH, has at least one homolog in all bilaterian species studied so far (505).

2364 The gene coding TH has been identified from various species of non-vertebrates, including  
2365 schrimps (454), fresh water crab (*D pagei*; (615)), parasitic helminthes (*Schistosoma mansoni*  
2366 (258); *Schistosoma japonicum* (294), and insects, [*Drosophila* (760); moth (300); cricket  
2367 (862)]. In several species of insects, as in mammals, different isoforms of TH produced by  
2368 alternative splicing have been identified (in the cricket (862), in *D. melanogaster* and the  
2369 armyworm *M. separata* (62, 534). Since the drosophila TH protein exhibits similar kinetic  
2370 parameters and regulatory mechanisms to its mammalian counterpart, it is likely that very  
2371 strong evolutionary constraints have been placed on the biochemical mechanism (529).

2372

### 2373 6.2.3. Evolution of Dopamine D2 receptors

2374 The D2 receptors have been diversified as a consequence of genome duplications in early  
2375 vertebrates. In mammals, three DA receptors (D2, D3 and D4) are classified as the D2 class.  
2376 The classification and nomenclature of DA receptors has been initially based on the set of  
2377 receptors found in eutherian mammals. When more DA receptors have been found in other  
2378 groups of vertebrates, the necessity of revisiting DA receptor classification was raised by  
2379 some authors (147, 891, 892).

#### 2380 a- Impact of WGD

2381 The number of DA receptors subtypes has been multiplied by the two major rounds (1R/2R)  
2382 of WGD that took place in early vertebrates (286, 296, 438). Additional duplication of DA  
2383 receptor gene occurred in the teleost fish lineage *via* TWGD (3R) (15, 316, 617, 772).  
2384 Duplicated paralogous genes were maintained in some vertebrate groups, probably by the  
2385 acquisition of some differential functional properties, specific of each subtypes, as well as by  
2386 discrete changes in their expression patterns in the brain (for reviews (861,862)).

#### 2387 b- Multiple genes in teleosts



2388 Five subtypes of D2 receptor genes (*D2*, *D3*, *D4*, *D8* (also named *D2<sub>l</sub>* for *D2<sub>like</sub>*) and *D9* (also  
2389 named *D4<sub>rs</sub>* for *D4- related sequence*) exist in teleosts. The *D2<sub>l</sub>* and *D4<sub>rs</sub>* genes would have  
2390 originated in the ancestor of gnathostomes (562). Phylogenetic analyses strongly suggest that  
2391 the ancestral Osteichthyes (bony jawed vertebrates) possessed five D2-class of DA receptors  
2392 (*D2*, *D3*, *D4*, *D8* and *D9*) likely resulting from 1R/2R with a possible additional specific  
2393 duplication (891, 892). In eutherian mammals, only three D2-class DA receptors are found  
2394 (*D2*, *D3*, *D4*) due to multiple DA receptor gene loss in this lineage (891). In contrast, up to  
2395 seven D2 class DA receptors (*D2a*, *D2b*, *D8*, *D3*, *D4a*, *D4b*, *D9*) have been identified in the  
2396 zebrafish (66, 67, 891), the additional receptors (*D2a/D2b*, *D4a/D4b*) likely resulting from  
2397 TWGD.

2398

#### 2399 6.2.4. Dopamine as a major inhibitory regulator of gonadotropin secretion in teleosts

2400 A major neuroendocrine action of DA, initially discovered in teleosts and later demonstrated  
2401 in various vertebrate species, is the inhibitory control of gonadotropin secretion and  
2402 reproductive function (167, 168, 603). This inhibitory role of DA appears to be a powerful  
2403 counterpart to the well-known stimulatory role of GnRH in the neuroendocrine control of  
2404 reproduction.

##### 2405 a- Discovery in goldfish

2406 The discovery by Peter and colleagues, using brain lesion approaches, of the presence of a  
2407 gonadotropin release-inhibiting factor (GRIF (604)) in the hypothalamus of goldfish has been  
2408 previously reviewed (167). GRIF neurons were subsequently shown to originate from the  
2409 preoptic area (POA) and project to the pituitary (606). *In vivo* experiments aimed at  
2410 investigating the effect of various DAergic agonists and antagonists on LH secretion and  
2411 ovulation strongly suggested that DA could be the GRIF (100). Immunocytochemical and  
2412 neuroanatomical studies supported this conclusion by revealing DA cell bodies in a specific

2413 region of the POA, the nucleus preopticus anteroventralis (NPOav), with projections in the  
2414 proximal pars distalis of the pituitary where gonadotrope cells are located (333, 606). Lesions  
2415 of the NPOav induce a surge of LH and subsequent ovulation (336). Finally, *in vitro* studies  
2416 on primary cultures of goldfish pituitary cells revealed that DA inhibits both basal and GnRH-  
2417 stimulated LH release by acting directly on gonadotropes, through binding to receptors  
2418 pharmacologically-related to the mammalian D2 receptors (101). In addition, in goldfish, DA  
2419 exerts inhibitory effects on GnRH neurons, blocking the synthesis of the peptide or its release  
2420 from the pituitary nerve terminals (602, 901). The discovery of a dual control of reproduction  
2421 led to a major application in aquaculture: the development of a spawning induction method  
2422 based on combined treatments with a DA antagonist and a GnRH agonist that has been  
2423 widely used to induce spawning in captivity of a certain number of species (LINPE method,  
2424 named after the scientists R. Peter and HR Lin (for review (603))).

#### 2425 b- Evidence in various teleosts

2426 As a matter of fact, the role of DA as a GRIF, originally demonstrated in the goldfish, a  
2427 cyprinid, has been later on observed in various other teleost species, including other  
2428 cyprinids, but also in species belonging to other teleost subgroups such as silurids, salmonids,  
2429 percomorphs, mugiliforms, elopomorphs (for review (167)) and pleuronectiforms (251).

2430 In some teleost species, however, this physiological role of DA was not found (for review  
2431 (168)). It is worth noting that the intensity of the dopaminergic inhibition varies according to  
2432 the species, from a drastic barrier in cyprinids (603, 605) or in prepubertal eel (166, 837) to a  
2433 milder control in salmonids (659).

2434 As in the goldfish, DA actions on gonadotrope cells are mediated by receptors of the D2 class  
2435 in all species studied (European eel (326, 838), tilapia (408) catfish (26), grey mullet (10) and  
2436 zebrafish (202)). In zebrafish, ISH and ICC studies reveal that the TWGD-paralogs D2a and  
2437 D2b as well as D8 are expressed in LH-producing cells, suggesting that the three receptors are

2438 involved in mediating DA inhibitory control in this teleost (202). In the eel, the TWGD-  
2439 paralog D2b is predominantly expressed as compared to D2a in LH and FSH cells (326). The  
2440 expression of D2a and D2b is differentially regulated by sex steroids (585) and the two  
2441 receptor subtypes are differentially involved in the onset of puberty (319). These data  
2442 suggested a functional differentiation of the TGWD-D2 paralogs in the eel, with a major role  
2443 of the D2b receptor in the control of gonadotropic function (326).

2444

#### 2445 6.2.5. Dopamine as an inhibitory regulator of gonadotropic axis in other vertebrates

2446 A dopaminergic inhibition of GnRH-induced pituitary gonadotropin secretion has also been  
2447 found in a chondrosteian fish, the white sturgeon (*Acipenser transmontanus*; (596)). This  
2448 indicates that the role of DA in the inhibitory control of reproduction may have a more  
2449 ancient evolutionary origin, in an actinopterygian ancestor, common to teleostean and  
2450 chondrosteian fishes.

2451 The inhibitory influence of DA on gonadotropin secretion and reproduction is not restricted  
2452 to fish (584, 837): A dopaminergic inhibitory control of reproduction has been shown also in  
2453 representative species of various other classes of tetrapods as demonstrated in amphibians,  
2454 birds, and mammals (for review (168)).

2455 In amphibians, some data point to an important role for dopaminergic inhibition in the  
2456 regulation of seasonal reproduction. In the frog, *Rana temporaria*, lesions of the infundibular  
2457 hypothalamus in hibernating preovulatory females cause advanced ovulation (734, 735). This  
2458 effect is mimicked by a dopaminergic antagonist and blocked by administration of a  
2459 dopaminergic agonist (736). More recent studies indicate that the inhibitory effects of DA on  
2460 reproduction are conserved in frogs: for instance, in the wood frog, injection of quinpirole in  
2461 females delays or inhibits oviposition (844). The release of sperm and eggs is induced in  
2462 several anurans and salamanders by the co-injection of a GnRH agonist and the selective DA

2463 receptor D2 antagonist metoclopramide (termed “the amphiplex method” (121, 240, 795, 796,  
2464 845). The technique has also been successfully applied in small-scale trials to several other  
2465 amphibian species (796).

2466 In birds, there is similar evidence for an inhibitory role of DA on reproduction (for review  
2467 (168)). For instance, in laying hens, the anovulatory state induced by food withdrawal, is  
2468 caused by a dopaminergic inhibition of GnRH release at the median eminence level, where a  
2469 dense concentrations of DA and GnRH-containing processes is observed, providing  
2470 opportunities for synaptic interactions between them (128).

2471 In mammals, DA is involved in the modulation of pulsatile LH release in some species. This  
2472 effect has been extensively studied in seasonal mammals notably in sheep, in which DA  
2473 participates in the inhibition of gonadotropic activity before puberty (73) as well as in adults  
2474 during seasonal anestrus (for reviews (221, 781)) by acting on GnRH neurons at the median  
2475 eminence level (379), through D2 receptors (55). In rat, GnRH neurons are directly innervated  
2476 by catecholamine terminals, including DA ones (106), but the participation of the  
2477 dopaminergic system in the control of FSH and LH release remains controversial in adults  
2478 since raising brain DA activity can either inhibit (41, 130, 222, 432) or stimulate (412, 444)  
2479 gonadotropin release. By contrast, in the developing rat, DA clearly exerts an inhibitory  
2480 control on both LH and FSH secretion during the second and third weeks of female life, by  
2481 influencing GnRH release into the portal blood (384). In some other species, a direct  
2482 inhibitory effects of DA on LH release at the pituitary level has been reported: for instance, in  
2483 rabbits, DA injected intravenously inhibits GnRH- stimulated LH secretion in normal and also  
2484 in stalk-sectioned animals (138). Finally, in humans, several observations suggest that a  
2485 direct inhibition by DA on LH release may occur under physiological and pathological  
2486 conditions. For instance in men, infusion of DA (which does not cross the blood-brain barrier)  
2487 significantly decreases circulating LH levels and attenuates the LH release in response to a

2488 bolus of GnRH (299). This DA-induced inhibition of LH secretion is associated with a  
2489 reduction in both pulse frequency and amplitude of LH secretion. Further, the observation that  
2490 partial inhibition of LH secretion occurs even in the presence of constant GnRH and DA  
2491 infusion suggests that DA may also modulate the gonadotrope response to GnRH. In women  
2492 with functional hypothalamic amenorrhea (FHA), a reduction of LH pulse frequency (and of  
2493 PRL concentrations) has been documented, which can be reversed by a DA receptor blocker.  
2494 In this case, however, a hypothalamic site of DA action was inferred, through inhibition of  
2495 GnRH pulse frequency (52).

2496 Recently, in male and female mouse, DA has been shown as the most potent inhibitor of  
2497 GnRH neuron excitability: using a variety of electrophysiological approaches, the authors  
2498 demonstrated that approximately around half of all GnRH neurons are inhibited by DA  
2499 through D1 and D2 receptors, and that the inhibition exerted by DA on GnRH neurons is  
2500 independent on gonadal steroid status (430).

2501

2502 In summary, DA acts as an inhibitor of reproduction in representatives of all classes of  
2503 vertebrates, but this role has been differentially conserved throughout vertebrate evolution.  
2504 This may either reflect an ancient regulatory pathway, common to actynopterygian  
2505 (chondrosts and teleosts) and sarcopterygian (tetrapods) species, or result from convergent  
2506 recruitments of DA neurons for the inhibition of reproduction in various vertebrate taxa (167).  
2507 The recruitment of DA neurons for exerting similar functions in different vertebrates suggests  
2508 that DA neurotransmission may be especially suitable for the neuroendocrine inhibitory  
2509 control of reproduction.

2510

2511 6.2.6. Dopamine as an inhibitor of reproduction in other metazoan

2512 The inhibitory role of DA in the control of reproduction may be more ancient than the origin  
2513 of vertebrates. Indeed, a few studies have reported an inhibitory action of DA on reproductive  
2514 function in some non-vertebrate species. For example, DA inhibits the growth and maturation  
2515 of oocytes in an echinoderm, the sea urchin *Strongylocentrotus nudus* (358). It is thus likely  
2516 that this control was present in the ancestor of deuterostomes. In protostomes, an inhibitory  
2517 effect of DA on reproduction has been reported both in some ecdysozoans (such as insects,  
2518 crustaceans, nematodes) and lophotrochozoans (such as mollusks). In insects, DA levels are  
2519 constantly maintained at a high level in the hemolymph during diapause (308, 537, 538), and  
2520 change with the photoperiod (115). In particular, DA is clearly a key factor for the induction  
2521 of egg diapause of the silkworm, *Bombyx mori* (537). In crustaceans, there is evidence for a  
2522 dopaminergic inhibition of testicular maturation in the fiddler crab, *Uca pugilator* (666) and  
2523 in the red swamp crayfish, *Procambarus clarkii* (668). Similarly, in the giant freshwater  
2524 prawn, *Macrobrachium rosenbergii*, DA inhibits testicular maturation (711) and inhibits  
2525 vitellogenin synthesis and ovarian maturation by inhibiting the release of vitellogenesis-  
2526 stimulating hormone (VHS) from the thoracic ganglia (107, 787). In a nematode,  
2527 *Caenorhabditis elegans*, genetic and pharmacological analyses reveal that a dopaminergic  
2528 pathway, acting through a D2-like DA receptor (755), inhibits egg laying (865). In a mollusk,  
2529 zebra mussel, DA has been shown to reduce the intensity of 5-HT-induced spawning (199).

2530 It is thus likely that inhibitory actions of DA on reproductive functions occurred in the  
2531 bilaterian ancestor and even possibly predate the emergence of bilateria, since even in a  
2532 cnidarian, the coral *Acropora tenuis*, DA was reported to have an inhibitory effect on  
2533 spawning (310).

2534 Therefore, although its physiological functions appear to differ among species, DA plays  
2535 multiple roles in suppressing the reproductive events in a number of non-vertebrate species  
2536 (Figure 12).

2537

2538 **6.3. Many other neuromediators involved in the control of reproduction**

2539 A variety of actors in mammals: Among neurotransmitters, that have been reported to also  
2540 influence LH release and play a role in the control of reproduction, are found NE, 5-HT, HA  
2541 as well as GABA.

2542

2543 6.3.1. Norepinephrine (NE)

2544 a- In mammals

2545 Sawyer and colleagues gave the first evidence that noradrenergic neurons may participate in  
2546 the control of the gonadotropic axis, by demonstrating that  $\alpha$ -adrenergic receptor antagonist  
2547 blocks ovulation in rabbits (676). Further studies by various laboratories reported that NE  
2548 may modulate plasma LH levels by regulating the activity of GnRH neurons (for review (34)).  
2549 However, the idea that NE was essential for triggering of the preovulatory release of LH (34)  
2550 has been challenged by experiments in rodents (120, 675), and in primates (369, 376),  
2551 showing that chronic interruption of the noradrenergic afferents to the hypothalamus does not  
2552 impair normal ovulation. This strongly suggests that the noradrenergic system, far from being  
2553 essential, exerts a modulatory action on gonadotropin secretion. It is now accepted that NE  
2554 has a permissive action within the network of afferences to GnRH neurons, which may be  
2555 modulated by sex steroid levels (275).

2556 b- In other vertebrates

2557 The role of NE in the control of reproduction has also been investigated in other vertebrates.  
2558 In birds, existing evidence suggests a role for NE in the neuroendocrine control of LH release.  
2559 The avian median eminence is known to be well supplied with NE fibers and terminals (81,  
2560 701), and the  $\alpha$ -adrenoreceptor blocking drug, dibenamine, has been early shown to  
2561 suppresses ovulation in the hen (786). Specific blockade of NE synthesis prevents ovulation

2562 in the laying hen (867) and causes a decline in plasma concentrations of LH in young and  
2563 adult male domestic fowl (75, 76). *In vitro*, GnRH secretion from chicken hypothalamus-  
2564 preoptic area slices (410) or from Japanese quail hypothalamus explants (486) is significantly  
2565 elevated in the presence of NE or  $\beta$  adrenergic agonists. However, icv administration of NE in  
2566 laying and non-laying turkeys has no effect on LH secretion (262). In non-laying geese,  
2567 noradrenergic stimulation is involved in the control of LH secretion, probably through GnRH  
2568 neurons (897). In the Chinese geese (*Anas cygnoides*), the expression of DBH (the enzyme  
2569 catalyzing the transformation of DA into NE) undergoes marked periodic variations in  
2570 reproductive and endocrine tissues during the reproductive cycle (890). In the Japanese quail,  
2571 a noradrenergic pathway is involved in the control of LH release through a modulation of  
2572 GnRH gene expression in the hypothalamus (789).

2573 In teleosts, NE appears to play only a slight stimulatory role on gonadotropin secretion, by  
2574 acting either directly on gonadotrope cells, via  $\alpha_1$ -like adrenergic receptors (98) or on  
2575 hypothalamic GnRH neurons to stimulate the release of GnRH (607, 902). In fish, as in  
2576 mammals, the effectiveness of NE is dependent on the stage of gonadal development: *e.g.* in  
2577 goldfish, NE stimulates LH release mainly during gonadal regression (98, 603).

#### 2578 c- In other metazoa

2579 Few data are available on the role of NE in the reproductive function in other metazoa. In  
2580 mollusks, cyclic variations of NE strongly support its participation in the reproductive cycle  
2581 of bivalve species. Notably, marked variations in NE content occur in the gonads and pedal  
2582 ganglia of mussels, with a 3 to 4-fold increase during gametogenesis and a decline during  
2583 spawning (368). Similarly, increased NE levels are measured in gonad of the female Pacific  
2584 lion's paw Scallop during gametogenesis stages (developing and maturing stages) while NE  
2585 concentrations drop after spawning, suggesting that NE exerts a direct control over  
2586 gametogenesis (433).



2587 Collectively, data reveal the recruitment of NE signalling in the control of reproduction both  
2588 in protostomes in deuterostomes, as well as in cnidaria, before the emergence of bilateria.  
2589 (Figure 12).

2590

### 2591 6.3.2. Serotonin (5-HT)

#### 2592 a- In mammals

2593 There is strong pharmacological evidence for a role of 5-HT in the regulation of  
2594 hypothalamo-pituitary-gonadal axis, through an action either on GnRH neurons or on  
2595 gonadotrope cells. Actually, 5-HT neurons located in the raphe region may play inhibitory  
2596 roles in gonadotropin secretion: the pharmacological elevation of hypothalamic 5-HT levels  
2597 with monoamine oxidase inhibitors suppress spontaneous ovulation in rats (383) and *in vitro*,  
2598 5-HT significantly inhibits the release of GnRH from the mediobasal hypothalamus of male  
2599 rats (Charli et al, 1978). In sheep (155) and rabbits (624), infusion of 5-HT into the  
2600 mediobasal hypothalamus blocks the ovulatory discharge of LH and ovulation. On the other  
2601 hand, several lines of evidence support a permissive or facilitatory role for 5-HT in ovulation:  
2602 inhibition of 5-HT synthesis with PCPA, suppresses ovulation in rats (383) and several 5-HT  
2603 antagonists inhibit spontaneous ovulation (457).

2604 Actually, the hormonal environment of the animal appears to be critical to the expression of  
2605 5-HT actions on gonadotropin secretion and ovulation. Indeed, 5-HT system can be  
2606 modulated by gonadal steroids (222, 515, 598) and in several mammalian species, 5-HT  
2607 receptors are colocalized with estrogen receptors beta (250), indicating that 5-HT and  
2608 reproductive endocrine signaling pathways are closely associated. Accordingly, differential  
2609 effects are observed in male and female rats: neonatal exposure to androgen is responsible for  
2610 the sex difference in the LH response to 5-HTP, a 5-HT precursor, a difference which may be  
2611 associated with a regulatory action of 5-HT on the cyclic hypothalamic control of

2612 gonadotropin secretion (501). 5-HTP has been shown to stimulate FSH release in normal rats  
2613 and to inhibit it in castrated rats, testosterone concentration being a relevant factor in  
2614 determining the 'type' of effect produced (331).

2615 The functional interactions between 5-HT and reproductive functions have also been  
2616 demonstrated in other vertebrates:

2617 b- In other vertebrates

2618 In birds, 5-HT synthesized in the hypothalamus exerts an inhibitory influence on  
2619 reproduction: elevation of 5-HT levels directly inhibits GnRH synthesis and LH secretion in  
2620 female turkey (256) or hen (657) and male domestic fowl (257). Conversely, blockade of the  
2621 serotonergic system generally stimulates gonadotropin secretion and enhances gonadal  
2622 development, as shown in young female turkeys (256), or in aging male roosters (27).

2623 In teleosts, by contrast to what is observed in birds, hypothalamic 5-HT neurons exert a  
2624 positive stimulatory influence on reproductive neuroendocrine function and gonadotropin  
2625 secretion (for review (621)). Specifically, 5-HT stimulates GnRH release, LH release and  
2626 socio-sexual behaviors, acting at different levels. At the hypothalamic level, a close  
2627 association of 5-HT fibers with GnRH neurons has been observed in the Atlantic croaker  
2628 (354). However, central administration of 5-HT has no effect on preoptic GnRH1 mRNA  
2629 levels (782), indicating that 5-HT may stimulate GnRH release but not synthesis. As a matter  
2630 of fact, 5-HT stimulates GnRH release from the hypothalamus of the goldfish and seabream  
2631 (696, 902). In the zebrafish, 5-HT receptors are present in several regions containing GnRH  
2632 neurons (539) suggesting possible expression of 5-HT receptors in GnRH neurons, as in  
2633 mammals (56).

2634 At the pituitary level, in several teleost species, 5-HT stimulates gonadotropin release *in vivo*  
2635 and *in vitro* (goldfish (730, 731, 878); Atlantic croaker (353, 355)). In some other teleost  
2636 species, 5-HT alone has no influence on spontaneous LH release, but potentiates GnRH

2637 analog-induced LH secretion when co-administered (Atlantic croaker (878); Prussian carp  
2638 (729)). Interestingly, the stimulatory action of 5-HT on GnRH release is time- and season-  
2639 dependent (355), and the mode of action of 5-HT on gonadotropin release also changes as a  
2640 function of the reproductive stage: in the Atlantic croaker, the effect of 5-HT is more  
2641 pronounced in mature than in sexually regressed fish (353).

2642 Therefore, as in mammals, the stimulatory action of 5-HT on gonadotropin secretion in teleost  
2643 appears to be modulated by various factors such as gonadal steroids, environmental  
2644 conditions and social cues (for review (621)).

#### 2645 c- In other metazoans

2646 Together with DA and NE, 5-HT represents a possible endocrine and neuronal link between  
2647 endogenous and exogenous signals allowing non-vertebrates to modulate reproductive  
2648 functions in conjunction with environmental constraints (368). In non-vertebrates, the  
2649 function and location of 5-HT have been studied mainly in arthropods, mollusks and annelids.  
2650 In crustaceans, 5-HT is involved in various physiological processes including sexual behavior  
2651 and reproduction (191, 666, 668, 669, 711). Specifically, 5-HT stimulates release of gonad  
2652 stimulating hormone (GSH) in the crayfish *Procambarus clarkia* (668) and in the fresh water  
2653 crab (620) and also accelerates testicular maturation in the fiddler crab (666, 667) and the red  
2654 swamp crayfish (668) as well as ovarian maturation and spawning in the white shrimp (827).

2655 In several species of mollusks, 5-HT and its receptors play an important role in reproduction,  
2656 through stimulation of biosynthesis and release of active egg-laying peptide precursor  
2657 proteins, *i.e.* control and initiation of gamete release, and gamete maturation. For instance,  
2658 studies on bivalves show that 5-HT levels change during the different stages of the sexual  
2659 cycle (resting, developing, maturing and egg-laying) in the gonads and cerebroid ganglia of  
2660 mussels, and that the endocrine function of gonads in marine bivalves is regulated through  
2661 monoamine neurosecretions arising from the cerebroid ganglia (368). Moreover,

2662 administration of 5-HT induces oocyte maturation and spawning (282, 466, 766). The  
2663 endogenous 5-HT signal is transmitted to the oocyte through 5-HT receptors (33, 857).  
2664 In annelids such as Nereidae, immunopositive staining for 5-HT is observed in neurons of the  
2665 brain of *Nereis diversicolor* (278) and 5-HT exerts a positive effect on oocyte development,  
2666 probably by stimulating a gonadotrophic hormone, present in mature females (392).  
2667 Altogether these studies indicate a conserved or convergent role of 5-HT in the control of  
2668 reproduction in various bilateria, protostomes and deuterostomes (Figure 12). The presence of  
2669 5-HT receptors has been demonstrated in cnidarian, thus before the emergence of bilateria  
2670 (for review (860)), but to our knowledge the effect of 5-HT on reproduction in this phylum  
2671 has not yet been addressed.

2672

### 2673 6.3.3. Histamine (HA)

2674 The possible stimulatory effect of histamine (HA) on LH secretion was first evidenced in the  
2675 rabbit by Sawyer (674) who reported that icv injection of HA induces ovulation and increases  
2676 plasma LH levels in animals lightly anesthetized with pentobarbital but not awake or ether-  
2677 anesthetized. Subsequent studies, however, provided inconsistent results, likely depending on  
2678 sex steroid environment: icv injection of HA increases plasma LH levels in proestrous or  
2679 ovariectomized estrogen and progesterone-primed female rats (157, 160, 418), but has no  
2680 effect in males (156, 158). Actually, HA participates in the neuroendocrine regulation of  
2681 pituitary hormone secretion by an indirect action at a hypothalamic level: In mammalian  
2682 brain, HA cell bodies are located exclusively in the tuberomammillary nucleus (TMN) of the  
2683 posterior hypothalamus (253) and send their axons all over the central nervous system. In the  
2684 hypothalamus they arborize extensively and may thereby influence the release and function of  
2685 various hypothalamic neuropeptides and hormones (254), including GnRH (368, 395):

2686 GnRH-induced secretion of LH in female rats (497). By contrast, it does not affect LH release  
2687 from isolated rat pituitary cells (57) or pituitary fragments (497).

2688 Considering the ancient origin of HA, investigation on its potential role on reproductive  
2689 function in other vertebrates and other metazoa would deserve to be launched.

2690

#### 2691 6.3.4. GABA

2692 GABA is an inhibitory neurotransmitter extremely abundant in the brain of all vertebrates,  
2693 that plays a role in the control of reproduction in various vertebrate classes.

2694 a- In mammals, the influence of GABA on LH secretion has long been demonstrated (21,  
2695 159, 388, 560, 839). The distribution of hypothalamic GABAergic neurons and their  
2696 involvement in the neural control of reproductive processes are now well documented (451).

2697 Although both GABA<sub>A</sub> and GABA<sub>B</sub> receptors have been identified in rat pituitary  
2698 gonadotrope cells (21) and that evidence exists for a possible direct stimulatory effect of  
2699 GABA on the LH cells (842), the vast majority of studies support a key inhibitory role of  
2700 GABA on gonadotropin release, predominantly at the central level, through modulation of the  
2701 GnRH neuron activity and secretion. Notably, increasing endogenous GABA concentration  
2702 by drugs, GABA or GABA agonist administration, in rats and non-human primates, prevents  
2703 ovulation and pulsatile LH release, and blunts the LH surge induced by estrogen or an  
2704 estrogen-progesterone combination (162). GABA infusion into the preoptic area or  
2705 intraperitoneal injection of muscimol, a GABA<sub>A</sub> receptor agonist, blocks the LH surge (7,  
2706 277), while the GABA<sub>A</sub> receptor antagonist, bicuculline, advances the timing of the LH surge  
2707 (363). Moreover, GABA release in the preoptic area decreases prior to and during the time of  
2708 the LH surge (317).

2709 GABAergic activity is known to be sensitive to environmental conditions (183) and the  
2710 alteration of GABAergic neuronal activity is likely associated with the season-dependent

2711 reproductive cyclicity in seasonal mammals (235). GABAergic activity may also depend on  
2712 the stage of reproductive development: in female mice, at puberty, the effect of GABA on  
2713 GnRH neurons switches from depolarization to hyperpolarization ((259). Both  
2714 autoradiographic and immunohistochemical studies show that a large proportion of GABA  
2715 neurons in the diencephalon represents targets for estrogens (197, 277, 388, 471), and it has  
2716 been postulated that these neurons may mediate estrogen feedback on GnRH neurons, (388,  
2717 752), as suggested by the existence of synaptic contacts between GABAergic terminals and  
2718 GnRH neurons (405, 733). Interestingly, it appeared recently that a subpopulation of GnRH  
2719 neurons in the adult mouse forebrain is GABAergic and thus that GnRH neurons could  
2720 secrete GABA to regulate their own activity (917).

2721 GABA exerts its regulatory effects via two main receptors, the GABA<sub>A</sub> and GABA<sub>B</sub>  
2722 subtypes. The origin and evolution of the GABA receptors is highly complex. As some  
2723 publications exist, focusing on the phylogeny of the multiple GABA<sub>A</sub> receptor (458, 650,  
2724 803), this topic will not be addressed in the present review.

2725 *In vivo* experiments undertaken in adult rats, sheep and monkeys all indicate that the  
2726 inhibitory effect of GABA on LH secretion is mediated through the GABA<sub>A</sub> receptors located  
2727 on the soma of GnRH neurons (276, 277, 495, 683). Furthermore, GnRH neurons express  
2728 functional GABA<sub>A</sub> receptors that may inhibit GnRH neuronal excitability (260, 717, 743).  
2729 Much less is known about the possible involvement of GABA<sub>B</sub> receptors. Functional GABA<sub>B</sub>  
2730 receptors are present in various hypothalamic neurons (11, 12, 387, 846) but studies  
2731 examining their role suggest that major species differences exist. In the ewe, GABA<sub>B</sub>  
2732 receptors mediate inhibition of GnRH secretion during the non-breeding season, but not  
2733 during the breeding season, this change being possibly part of the mechanism for the seasonal  
2734 shift in the negative-feedback effect of estradiol on LH secretion (683). In the adult rat,  
2735 GABA<sub>B</sub> receptors play an important role in controlling the excitability of GnRH neurons

2736 especially in females (429). Interestingly, GABA stimulates GnRH secretion in the adult rat  
2737 (59, 161). Yet, the precise physiological role of the excitatory action of GABA on GnRH  
2738 neurons remains elusive (861).

2739 b- In other vertebrates

2740 In birds: The domestic turkey is a seasonally breeding bird with a reproductive cycle  
2741 regulated by photoperiod and terminated by the state of photorefractoriness (720). In this bird,  
2742 GABAergic neurotransmission in the hypothalamic premammillary nucleus regulates  
2743 reproductive seasonality and the onset of photorefractoriness (374) through GABA<sub>A</sub> receptors  
2744 (374).

2745 In teleost fish, there is also good evidence for the involvement of GABA in the control of LH  
2746 release (451, 799, 921). Following the discovery of a heavy GABAergic innervation of the  
2747 anterior pituitary in goldfish, (334, 335), the effects of GABA have been explored, mainly in  
2748 goldfish (for review (616)), and to a lesser extent in trout *Oncorhynchus mykiss*. By contrast  
2749 to its inhibitory effect in mammals, GABA predominantly stimulates LH secretion in adult  
2750 goldfish and trout, although inhibitory actions have been described in two other species, the  
2751 Atlantic croacker (356) and the common carp (116).

2752 In goldfish, intraperitoneal injection of GABA increases serum gonadotropin levels (338).  
2753 Injection of a GABA transaminase inhibitor, that augments GABA levels within the  
2754 hypothalamus and pituitary, also induces an increase in serum gonadotropin levels (723). This  
2755 stimulatory effect of GABA on gonadotropins can be accounted for by two major  
2756 mechanisms: stimulation of GnRH secretion (338, 723) and inhibition of DA release (723,  
2757 797, 798) at the brain level. *In vitro*, GABA also induces a dose-related stimulation of GnRH  
2758 release from pituitary slices, which in teleosts contain GnRH nerve terminals (797). By  
2759 contrast, GABA does not directly stimulate LH release from dispersed goldfish pituitary cells  
2760 *in vitro* (338). The *in vivo* stimulatory effect of GABA varies seasonally and is modulated by

2761 sex steroids (338, 356, 459, 798). Both muscimol (a GABA<sub>A</sub> receptor agonist) and baclofen (a  
2762 GABA<sub>B</sub> receptor agonist) stimulate LH secretion in females, indicating that both receptor  
2763 subtypes may mediate the effect of GABA (459, 799).

2764 In rainbow trout, GABA exerts an overall stimulatory effect on basal and GnRH-induced LH,  
2765 but also on FSH secretion, both *in vivo* and *in vitro*, and these effects are also highly  
2766 dependent on the sex and the reproductive stage of the fish (451). As in mammals and  
2767 goldfish, a role for GABAergic neurons as target cells for oestrogen feedback on LH release  
2768 has been hypothesized in rainbow trout because oestrogen receptors are present in  
2769 GABAergic, but not in GnRH neurons. In addition, the stimulatory action of GABA may also  
2770 be exerted directly onto the gonadotrope cells of the pituitary, as GABA stimulates basal and  
2771 GnRH-induced FSH and LH secretion from dispersed pituitary cells (451).

2772 In the zebrafish brain, the connection between GABAergic and GnRH neurons has been  
2773 recently evidenced: GnRH3 neurons are directly contacted by GABAergic neurons in the  
2774 ventral telencephalon and hypothalamus (733). Moreover, as shown also in mouse (917),  
2775 some GnRH neurons in the anterior part of the telencephalon coexpress GAD67, thus being  
2776 also GABAergic. Administration of GABA<sub>B</sub> receptor agonists and antagonists support the  
2777 implication of GABA<sub>B</sub> receptors in the regulation of GnRH neurons (733).

2778 In agnaths, studies in sea lamprey also indicate that GABA may directly affect GnRH release  
2779 in the brain: dual-label *in situ* hybridization shows that GABA cells are closely apposed to  
2780 GnRH cells in the rostral hypothalamus and preoptic region (647). *In vitro* perfusion or *in*  
2781 *vivo* injection of GABA and its analogs both significantly increase GnRH in the brain (647),  
2782 suggesting that GABAergic control of GnRH is phylogenetically ancient.

### 2783 c- In other metazoa

2784 GABA may also play some role in the control of reproduction in other metazoa: for instance,  
2785 GABA induces spawning in non-chordate deuterostomes, echinoderms (764). GABA also



2786 enhances reproduction in protostomes such as rotifers (220), indicating a role of GABA in the  
2787 control of reproduction in both deuterostomes and protostomes. The presence of GABA  
2788 receptors demonstrated in cnidaria, attests the early origin of GABA receptors before the  
2789 emergence of bilateria (for review (346)), and should inspire future investigation on the  
2790 possible role of GABA in reproduction of basal metazoa (Figure 12).

2791

## 2792 **6.4. Neuromediators and reproduction: from conservation to disruption**

### 2793 6.4.1. Ancient origin of neuromediators and receptors in metazoan

2794 The neurotransmitter function of DA, NE, 5-HT, HA and GABA in adult organisms is their  
2795 more recently developed function. Cell communication through secreted, diffusible signals is  
2796 phylogenetically older than neural transmission (223), and the substances known as  
2797 neurotransmitters appeared long before the development of the most primitive nervous system  
2798 and even multicellular organisms (79): Organisms like protists and animals devoid of nervous  
2799 system, as sponges and placozoans, produce a wide array of molecules, which are in some  
2800 cases identical to the corresponding compounds found in higher taxa (223). Monoamines  
2801 (catecholamines, indoleamines and HA) are found in many protozoans and in almost all  
2802 metazoans (811). Non-bilaterian metazoans, with or without neurons, exhibit many  
2803 components of the molecular toolkits for synapse function. GABA, catecholamines, and  
2804 indoleamines as well as a large number of G protein-coupled receptors for monoamines, and  
2805 biogenic amine-synthesizing enzymes can be found in prebilaterian animals such as  
2806 cnidarians (69). GABA is used as a signal molecule by non nervous cells of vertebrates (224)  
2807 and also in sponges (173) and in plants (71).

2808 The catecholaminergic signalling has an old phylogenetic history and the enzymatic pathway  
2809 for the biosynthesis and degradation of monoamine transmitters and the  $\beta$ -adrenergic-  
2810 mediated mechanisms were conserved throughout evolution from early metazoans to

2811 mammals (223). Alpha-adrenergic receptors are found in representatives of two major clades  
2812 of bilateria, the protostomes and the deuterostomes (40).

2813 If we take the example of monoamines, according to Turlejski hypothesis (811): their  
2814 “*earliest role has been as intracellular regulators of cell activity*”. Produced either inside the  
2815 cell or entering it from its environment, they act directly on some of the intracellular signaling  
2816 systems, and “*cause long-lasting changes in the cell functional state, that allow the organism*  
2817 *to adapt to its environment*”. “*However, very early in evolution, they acquired functions of*  
2818 *hormones*”, *i.e.* molecules of external origin acting on specific receptors localized in the cell  
2819 membrane and stimulating specific intracellular second messengers to cause long-term  
2820 changes in the functional state of cells. “*Later on in evolution, biogenic amines acquired*  
2821 *functions of neuromodulators*”, thus produced and released by specific neurons, and able to  
2822 modulate the activity of other neurons, through specific receptors placed within synaptic  
2823 contacts. “*Finally, preserving some of the evolutionary older functions, monoamines took the*  
2824 *function of neurotransmitters conveying fast changes*”, through receptors activating ion  
2825 channels (811).

2826 The development of a signaling system requires the evolution of a mechanism for producing  
2827 signals, receptors and adaptive reactions to the signal. Various data now support the  
2828 evolutionary model proposed by Harris and Zahavi (263) to explain the selection of these  
2829 precise molecules for intercellular communication: « Classical neurotransmitters » are small  
2830 molecules that are catabolic products of biological molecules involved in basal cell  
2831 metabolism: DA and NE are produced from tyrosine, 5-HT from tryptophan, HA from  
2832 histidine, GABA from glutamate,... and the extracellular release of these molecules reflects  
2833 the metabolic activity of the secretory cell. Their (i) physico-chemical characteristics, which  
2834 are best suited to display reliably the levels of specific metabolic activities, and (ii) toxicity  
2835 which induced the selection by neighboring cells of membrane proteins to bind them, may

2836 explain why they have been selected for paracrine communication and then for nervous  
2837 communication (263).

2838

2839 6.4.2. Non-peptidic neuromediators as potential targets for neuroendocrine disruption of  
2840 reproduction: a phylogenetic approach

2841 Neuroendocrine disruptors (NEDs) are defined as “*pollutants in the environment that are*  
2842 *capable of acting as agonists/antagonists- or altering the synthesis and/or metabolism- of*  
2843 *neuropeptides, neurotransmitters or neurohormones, which subsequently alter diverse*  
2844 *physiological, behavioral or hormonal processes to affect an animal's capacity to reproduce,*  
2845 *develop and grow, or deal with stress and other challenges*” (863).

2846 While NEDs are now well known to adversely affect reproduction through binding to steroid  
2847 receptors (mimicking or antagonizing the activity of steroid hormones), it is important to  
2848 mention that they may also affect reproductive functions by acting upon neurotransmitter  
2849 systems (such as DA, GABA, NE and 5-HT) that modulate GnRH output (150, 400). To take  
2850 only a few examples in mammals: (1) bisphenol A (BPA): When pregnant rats are orally  
2851 administered BPA, the turnover of DA and 5-HT in the forebrain are accelerated in both the  
2852 mother and the offspring, suggesting an increase in the release of both monoamines from  
2853 nerve endings (288). BPA exposure, at even lower doses than environmentally relevant levels,  
2854 was shown to have a great impact on monoamine levels in neonatal rat brain over 28 d after  
2855 its disappearance (463). In male mice, an increase in anxiety-like behavior induced by  
2856 perinatal exposure to BPA seems to be related to decreases in DA metabolites and in the  
2857 activity of monoamine oxidase (MAO)-B in the brain. (462). (2) Polychlorinated biphenyls  
2858 (PCBs), that are industrial chemical products, also affect DA and 5-HT levels in the brain:  
2859 they have been shown to bind to 5-HT, DA, and NE receptors (689). Decreased brain levels of  
2860 DA, DOPAC and HVA are observed in the brain of pregnant rats treated with PCBs, but also

2861 in the brain of their offspring (289). PCBs and brominated flame retardants (BFRs) decrease  
2862 DA turnover, primarily via inhibition of DA transporters DAT and VMAT, and also decrease  
2863 the uptake of glutamate and GABA, inhibiting GABA signaling, and decreasing 5-HT levels.  
2864 Several epidemiological studies have shown that PCBs and BFRs may be responsible for  
2865 similar effects in humans (for review (200)). (3) GABAergic neurons in the preoptic area of  
2866 the rat brain are known targets of TCDD, a dioxin, and may mediate developmental effects of  
2867 this contaminant on reproductive function (270).

2868 In birds also, several hypothalamic neural systems proved to be responsive to NEDs (571–  
2869 573): for instance, there is evidence in the quail that the catecholamine and indoleamine  
2870 systems may be altered by perinatal exposure to NEDs (571).

2871 In fish (for review (863)) various pollutants have been shown to impact neurotransmitters  
2872 involved in the neuroendocrine control of reproduction. For example, (a) the antidepressant  
2873 fluoxetine (FLU), one of the most prevalent environmental pharmaceutical contaminant in  
2874 North American and European aquatic ecosystems, that is a selective 5-HT reuptake inhibitor  
2875 (SSRI), was reported to affect multiple neuroendocrine pathways and behavioral circuits in  
2876 teleost fishes including disruptive effects on reproduction (481). Recently, in zebrafish  
2877 embryos, in very much the same as in mammals, FLU was shown to impair the serotonergic,  
2878 dopaminergic and adrenergic neurotransmission systems at environmentally relevant  
2879 concentrations, by down-regulating transcription patterns of monoamine receptors and  
2880 transporters (134). (b) PCBs disrupt the stimulatory 5-HT/GnRH pathway controlling LH  
2881 secretion activity by inhibiting hypothalamic TPH and decreasing 5-HT availability in  
2882 croakers (357). (c) Mercury, both in its inorganic and organic forms, is capable of impairing  
2883 the monoaminergic neurotransmitters involved in the regulation of GnRH and gonadotropins:  
2884 after mercury exposure, 5-HT concentrations are decreased in the brains of several fish  
2885 species, whereas levels of NE and DA are increased (for review (133)). (d) Pulp and paper

2886 mill effluents contain compounds that interact with key enzymes and receptors that regulate  
2887 the GABAergic, glutamatergic and dopaminergic modulation of GnRH and LH, thereby  
2888 impairing reproduction in the goldfish (39). (e) Bifenthrin (BF), a pyrethroid insecticide,  
2889 alters dopaminergic function in zebrafish embryos and juveniles (54).

2890 While most investigations on NEDs are carried out with vertebrate models, research on non  
2891 vertebrate species led to similar results: For instance, (i) in insects, azadirachtin (AZA), an  
2892 insecticidal limonoid with antifeeding and sterilizing properties, blocks neurosecretion from  
2893 the corpus cardiaca, interacting with the cholinergic, GABAergic and 5-HT systems (504). (ii)  
2894 In crustaceans, cadmium and mercury have inhibitory effects on ovarian maturation in the red  
2895 swamp crayfish, partly by inhibiting 5-HT-stimulated gonad-stimulating hormone release, and  
2896 preventing the ovaries from responding to this hormone (633). Antidepressants, by interfering  
2897 with 5-HT, DA or NE neurotransmission, affect freshwater amphipod activity patterns,  
2898 marine amphipod photo- and geotactic behavior, and daphnid reproduction and development  
2899 (for review (198)). (iii) In mollusks, in the freshwater mussel, exposure to estrogenic  
2900 chemicals present in municipal effluents alters the normal metabolism of 5-HT and DA, both  
2901 of which are involved in sexual differentiation (217). Antidepressants affect spawning and  
2902 larval release in bivalves and reduce fecundity in snails. Exposure to the environmental  
2903 contaminant, serotonergic antidepressant fluoxetine, induces spawning in estuarine and  
2904 freshwater bivalves (for review (198)).

2905

#### 2906 6.4.3. The “One Health concept”

2907 The neuroendocrine systems, as the links between the brain and peripheral endocrine systems,  
2908 play key roles in the ability of an organism to respond to its environment. They are thus  
2909 highly vulnerable to disruption by environmental contaminants such as industrial chemicals,  
2910 pesticides, pharmaceuticals..., the worldwide presence of which is now demonstrated. NEDs

2911 are known to exert some of their adverse effects acting directly upon neurotransmitter  
2912 pathways that regulate the neuroendocrine systems.

2913 As most neurotransmitter molecules, as well as some of their receptors and transporters are  
2914 phylogenetically ancient and conserved within the animal phyla, NEDs may interact with  
2915 them and affect the neurotransmission systems of all metazoan. Chemical disruption of  
2916 neuromediator signaling may therefore adversely affect health and reproduction in human but  
2917 also in a diversity of wildlife thus encompassing the whole ecosystem.

2918

2919 In conclusion, molecular families of neuromediators, hormones, their biosynthesis enzymes  
2920 and their receptors, involved in the neuroendocrine control of vertebrate reproduction, have an  
2921 ancient origin in metazoa, pre-existing the emergence of vertebrates and the innovation of the  
2922 brain-pituitary axis (Figure 13). Evolutionary scenarios, based on phylogeny approaches,  
2923 enable retracing the origin and evolution of these molecular families, highlighting the impacts  
2924 of gene and genome duplications, as well as gene loss events. Combined with physiological  
2925 data they allow inferring evolutionary constraints and mechanisms leading to functional  
2926 conservation and diversification of the actors of the neuroendocrine control of reproduction.

2927

#### 2928 **Call Out Box**

2929 • Reproduction is the essential biological process of living organisms and is therefore  
2930 submitted to strong evolutionary constraints.

2931 • In human as in other vertebrates, reproduction is controlled by the brain-pituitary  
2932 gonadotropic (BPG) axis. Evolutionary endocrinology contributes to a better understanding of  
2933 the neuro-endocrine control of reproduction in living organisms including human, by  
2934 providing new insights on the origin, conservation and variations of the key actors of the BPG  
2935 axis.

- 2936 • As revealed by molecular phylogeny analyses, many actors that have been recruited  
2937 for the BPG axis in vertebrates (neuromediators, neurohormones, hormones, biosynthesis  
2938 enzymes, and receptors) belong to large molecular families of an ancient origin in metazoa.
- 2939 • The number of actors of the BPG axis has expanded *via* the two rounds of whole  
2940 genome duplication that occurred at the basis of the vertebrate lineage, which is at the origin  
2941 for instance of the two gonadotropins LH and FSH and their sister hormone the thyrotropin  
2942 TSH. Local gene duplications have also contributed to an increase of actor numbers, and  
2943 such is the origin of human chorionic gonadotropin.
- 2944 • An additional round of whole genome duplication has occurred at the basis of the  
2945 teleost fish lineage, so that some “fish models” currently used for biomedical research, such  
2946 as zebrafish or medaka, may present a larger number of actors as compared to human.
- 2947 • Conversely to gene increase via duplications, gene loss events have also marked the  
2948 evolutionary history of some BPG actor families, as is the case for kisspeptin receptors, with a  
2949 single gene left in human, as compared to four in basal vertebrate representatives.
- 2950 • The synthesis and function of the BPG axis actors (neuromediators, neurohormones  
2951 and hormones) are the targets of disruption by environmental pollutants from industrial,  
2952 agricultural and pharmaceutical activities. The ancient origin of the BPG actor families  
2953 makes a variety of living organisms both targets and sentinels of neuro-endocrine disruption.  
2954 This highlights some of the strong links between ecosystems, biodiversity health and human  
2955 health, within the framework of the “OneHealth” concept.

2956

2957 **Acknowledgements.** The authors thank Dr Anne Gaëlle Lafont for her contribution to figure  
2958 drawings.

2959

2960 **References**

- 2961 1. **Abel MH.** The Effect of a Null Mutation in the Follicle-Stimulating Hormone  
2962 Receptor Gene on Mouse Reproduction. *Endocrinology* 141: 1795–1803, 2000.
- 2963 2. **Abraham E, Palevitch O, Gothilf Y, Zohar Y.** The zebrafish as a model system for  
2964 forebrain GnRH neuronal development. *Gen Comp Endocrinol* 164: 151–160, 2009.
- 2965 3. **Abraham E, Palevitch O, Gothilf Y, Zohar Y.** Targeted gonadotropin-releasing  
2966 hormone-3 neuron ablation in zebrafish: Effects on neurogenesis, neuronal migration,  
2967 and reproduction. *Endocrinology* 151: 332–340, 2010.
- 2968 4. **Acharjee A, Chaube R, Joy KP.** Molecular cloning and characterization of the  
2969 gonadotropin subunits  $GP\alpha$ ,  $FSH\beta$ , and  $LH\beta$  genes in the stinging catfish  
2970 *Heteropneustes fossilis*: Phylogeny, seasonal expression and pituitary localization. *J*  
2971 *Exp Zool Part A Ecol Genet Physiol* 323: 567–585, 2015.
- 2972 5. **Adams BA, Tello JA, Erchegeyi J, Warby C, Hong DJ, Akinsanya KO, Mackie**  
2973 **GO, Vale W, Rivier JE, Sherwood NM.** Six novel gonadotropin-releasing hormones  
2974 are encoded as triplets on each of two genes in the protochordate, *Ciona intestinalis*.  
2975 *Endocrinology* 144: 1907–1919, 2003.
- 2976 6. **Adhikari D, Liu K.** Molecular mechanisms underlying the activation of mammalian  
2977 primordial follicles. *Endocr Rev* 30: 438–464, 2009.
- 2978 7. **Adler BA, Crowley WR.** Evidence for gamma-aminobutyric acid modulation of  
2979 ovarian hormonal effects on luteinizing hormone secretion and hypothalamic  
2980 catecholamine activity in the female rat. *Endocrinology* 118: 91–97, 1986.
- 2981 8. **Adoutte A, Balavoine G, Lartillot N, Lespinet O, Prud'homme B, de Rosa R.** The  
2982 new animal phylogeny: reliability and implications. *Proc Natl Acad Sci USA* 97: 4453–  
2983 4456, 2000.
- 2984 9. **Agarwal RA, Ligon PJB, Greenberg MJ.** The distribution of cardioactive agents  
2985 among Molluscan species and tissues. *Comp Gen Pharmacol* 3: 249–260, 1972.



- 2986 10. **Aizen J, Meiri I, Tzchori I, Levavi-Sivan B, Rosenfeld H.** Enhancing spawning in  
2987 the grey mullet (*Mugil cephalus*) by removal of dopaminergic inhibition. *Gen Comp*  
2988 *Endocrinol* 142: 212–21, 2005.
- 2989 11. **Akema T, Kimura F.** The mode of GABAB receptor-mediated inhibition of the  
2990 preovulatory luteinizing hormone surge in female rats. *Brain Res* 562: 169–172, 1991.
- 2991 12. **Akema T, Kimura F.** Modulation of pulsatile LH secretion by baclofen, a selective  
2992 GABAB receptor agonist, in ovariectomized rats. *Neuroendocrinology* 56: 141–147,  
2993 1992.
- 2994 13. **Alvarez E, Cahoreau C, Combarous Y.** Comparative structure analyses of cystine  
2995 knot-containing molecules with eight aminoacyl ring including glycoprotein hormones  
2996 (GPH) alpha and beta subunits and GPH-related A2 (GPA2) and B5 (GPB5)  
2997 molecules. *Reprod Biol Endocrinol* 7: 90, 2009.
- 2998 14. **Amano M, Moriyama S, Ligo M, Kitamura S, Amiya N, Yamamori K, Ukena K,**  
2999 **Tsutsui K.** Novel fish hypothalamic neuropeptides stimulate the release of  
3000 gonadotrophins and growth hormone from the pituitary of sockeye salmon. *J*  
3001 *Endocrinol* 188: 417–423, 2006.
- 3002 15. **Amores A, Force A, Yan YL, Joly L, Amemiya C, Fritz A, Ho RK, Langeland J,**  
3003 **Prince V, Wang YL, Westerfield M, Ekker M, Postlethwait JH.** Zebrafish hox  
3004 clusters and vertebrate genome evolution. *Science* 282: 1711–1714, 1998.
- 3005 16. **Amoss M, Burgus R, Blackwell R, Vale W, Fellows R, Guillemin R.** Purification,  
3006 amino acid composition and N-terminus of the hypothalamic luteinizing hormone  
3007 releasing factor (LRF) of ovine origin. *Biochem Biophys Res Commun* 44: 205–210,  
3008 1971.
- 3009 17. **Ancel C, Bentsen AH, Sébert ME, Tena-Sempere M, Mikkelsen JD, Simonneaux**  
3010 **V.** Stimulatory effect of RFRP-3 on the gonadotrophic axis in the male Syrian hamster:

- 3011 The exception proves the rule. *Endocrinology* 153: 1352–1363, 2012.
- 3012 18. **Anctil M.** Evidence for gonadotropin-releasing hormone-like peptides in a cnidarian  
3013 nervous system. *Gen Comp Endocrinol* 119: 317–328, 2000.
- 3014 19. **Anctil M.** Chemical transmission in the sea anemone *Nematostella vectensis*: A  
3015 genomic perspective. *Comp Biochem Physiol - Part D Genomics Proteomics* 4: 268–  
3016 289, 2009.
- 3017 20. **Anderson GM, Relf HL, Rizwan MZ, Evans JJ.** Central and peripheral effects of  
3018 RFamide-related peptide-3 on luteinizing hormone and prolactin secretion in rats.  
3019 *Endocrinology* 150: 1834–1840, 2009.
- 3020 21. **Anderson RA, Mitchell R.** Effects of gamma-aminobutyric acid receptor agonists on  
3021 the secretion of growth hormone, luteinizing hormone, adrenocorticotrophic hormone  
3022 and thyroid-stimulating hormone from the rat pituitary gland in vitro. *J Endocrinol*  
3023 108: 1–8, 1986.
- 3024 22. **Anjum S, Krishna A, Tsutsui K.** Inhibitory roles of the mammalian GnIH ortholog  
3025 RFRP3 in testicular activities in adult mice. *J Endocrinol* 223: 79–91, 2014.
- 3026 23. **Anton-Tay F, Wurtman R.** Brain monoamines and endocrine function. In: *Frontiers*  
3027 *in Neuroendocrinology*. Martini L and Ganong WF, 1971, p. 45–66.
- 3028 24. **Ascheim S, Zondek B.** Hypophysenvorderlappenhormon und Ovarialhormon Im Harn  
3029 Von schwangeren. *Klin Wochenschr* 6: 1322–1324, 1927.
- 3030 25. **Ashihara M, Suzuki M, Kubokawa K, Yoshiura Y, Kobayashi M, Urano A, Aida**  
3031 **K.** Two differing precursor genes for the salmon-type gonadotropin-releasing hormone  
3032 exist in salmonids. *J Mol Endocrinol* 15: 1–9, 1995.
- 3033 26. **Van Asselt LA, Goos HJ, De Leeuw R, Peter RE, Hol EM, Wassenberg FP, Van**  
3034 **Oordt PG.** Characterization of dopamine D2 receptors in the pituitary of the African  
3035 catfish, *Clarias gariepinus*. *Gen Comp Endocrinol* 80: 107–115, 1990.

- 3036 27. **Avital-Cohen N, Heiblum R, Rosenstrauch A, Chaiseha Y, Mobarkey N, Gumulka**  
3037 **M, Rozenboim I.** Role of the serotonergic axis in the reproductive failure associated  
3038 with aging broiler breeder roosters. *Domest Anim Endocrinol* 53: 42–51, 2015.
- 3039 28. **Avsian-Kretchmer O, Hsueh AJW.** Comparative Genomic Analysis of the Eight-  
3040 Membered Ring Cystine Knot-Containing Bone Morphogenetic Protein Antagonists.  
3041 *Mol Endocrinol* 18: 1–12, 2004.
- 3042 29. **Ayachi S, Simonin F.** Involvement of mammalian RF-amide peptides and their  
3043 receptors in the modulation of nociception in rodents. *Front Endocrinol (Lausanne)* 5:  
3044 1–13, 2014.
- 3045 30. **Azmitia E.** Serotonin and brain: evolution, neuroplasticity, and homeostasis. *Int Rev*  
3046 *Neurobiol* 77: 31–56, 2007.
- 3047 31. **Van Bael A, Deneff C.** Evidence for a trophic action of the glycoprotein hormone  $\alpha$ -  
3048 subunit in rat pituitary. *J Neuroendocr* 8: 99–102, 1996.
- 3049 32. **Ball JN.** Hypothalamic control of the pars distalis in fishes, amphibians, and reptiles.  
3050 *Gen Comp Endocrinol* 44: 135–170, 1981.
- 3051 33. **Bandivdekar AH, Segal SJ, Koide SS.** Demonstration of serotonin receptors in  
3052 isolated spicula oocyte membrane. *Invertebr Reprod Dev* 19: 147–150, 1991.
- 3053 34. **Barraclough CA, Wise PM.** The Role of Catecholamines in the Regulation of  
3054 Pituitary Luteinizing Hormone and Follicle-Stimulating Hormone Secretion. *Endocr*  
3055 *Rev* 3: 91–119, 1982.
- 3056 35. **Barreiro-Iglesias A, Laramore C, Shifman MI, Anadón R, Selzer ME, Rodicio**  
3057 **MC.** The sea lamprey tyrosine hydroxylase: cDNA cloning and in situ hybridization  
3058 study in the brain. *Neuroscience* 168: 659–669, 2010.
- 3059 36. **Barry J, Dubois MP, Poulain P.** LRF producing cells of the mammalian  
3060 hypothalamus - A fluorescent antibody study. *Zeitschrift für Zellforsch und*

- 3061 *Mikroskopische Anat* 146: 351–366, 1973.
- 3062 37. **Basini G, Grasselli F, Bussolati S, Ciccimarra R, Maranesi M, Bufalari A, Parillo**  
3063 **F, Zerani M.** Presence and function of kisspeptin/KISS1R system in swine ovarian  
3064 follicles. *Theriogenology* 115: 1–8, 2018.
- 3065 38. **Basini G, Grasselli F, Bussolati S, Ciccimarra R, Maranesi M, Bufalari A, Parillo**  
3066 **F, Zerani M.** Presence and function of kisspeptin/KISS1R system in swine ovarian  
3067 follicles. *Theriogenology* 115: 1–8, 2018.
- 3068 39. **Basu N, Ta CA, Waye A, Mao J, Hewitt M, Arnason JT, Trudeau VL.** Pulp and  
3069 paper mill effluents contain neuroactive substances that potentially disrupt  
3070 neuroendocrine control of fish reproduction. *Environ Sci Technol* 43: 1635–1641,  
3071 2009.
- 3072 40. **Bauknecht P, Jékely G.** Ancient coexistence of norepinephrine, tyramine, and  
3073 octopamine signaling in bilaterians. *BMC Biol* 15: 1–12, 2017.
- 3074 41. **Beck W, Hancke JL, Wuttke W.** Increased sensitivity of dopaminergic inhibition of  
3075 luteinizing hormone release in immature and castrated female rats. *Endocrinology* 102:  
3076 837–843, 1978.
- 3077 42. **Bégeot M, Hemming F, Dubois P, Combarnous Y, Dubois M, Aubert M.** Induction  
3078 of pituitary lactotrope differentiation by luteinizing hormone  $\beta$  subunit. *Science (80- )*  
3079 226: 566–568, 1984.
- 3080 43. **Belchetz P, Plant T, Nakai Y, Keogh E, Knobil E.** Hypophysial responses to  
3081 continuous and intermittent delivery of hypothalamic gonadotropin-releasing  
3082 hormone. *Science (80- )* 202: 631–633, 1978.
- 3083 44. **Bellipanni G, Rink E, Bally-Cuif L.** Cloning of two tryptophan hydroxylase genes  
3084 expressed in the diencephalon of the developing zebrafish brain. *Mech Dev* 119 Suppl:  
3085 S215-220, 2002.

- 3086 45. **Belmont M, Cazzamali G, Williamson M, Hauser F, Grimmelikhuijzen CJP.**  
3087 Identification of four evolutionarily related G protein-coupled receptors from the  
3088 malaria mosquito *Anopheles gambiae*. *Biochem Biophys Res Commun* 344: 160–165,  
3089 2006.
- 3090 46. **Ben-Jonathan N, Hnasko R.** Dopamine as a prolactin (PRL) inhibitor. *Endocr Rev*  
3091 22: 724–763, 2001.
- 3092 47. **Ben-Jonathan N, Neill MA, Arbogast LA, Peters LL, Hoefler MT.** Dopamine in  
3093 hypophysial portal blood: relationship to circulating prolactin in pregnant and lactating  
3094 rats. *Endocrinology* 106: 690–696, 1980.
- 3095 48. **Ben-Jonathan N, Oliver C, Weiner HJ, Mical RS, Porter JC.** Dopamine in  
3096 hypophysial portal plasma of the rat during the estrous cycle and throughout  
3097 pregnancy. *Endocrinology* 100: 452–458, 1977.
- 3098 49. **Bentley GE, Jensen JP, Kaur GJ, Wacker DW, Tsutsui K, Wingfield JC.** Rapid  
3099 inhibition of female sexual behavior by gonadotropin-inhibitory hormone (GnIH).  
3100 *Horm Behav* 49: 550–555, 2006.
- 3101 50. **Bentley GE, Perfito N, Ukena K, Tsutsui K, Wingfield JC.** Gonadotropin-inhibitory  
3102 peptide in song sparrows (*Melospiza melodia*) in different reproductive conditions, and  
3103 in house sparrows (*Passer domesticus*) relative to chicken-gonadotropin-releasing  
3104 hormone. *J Neuroendocrinol* 15: 794–802, 2003.
- 3105 51. **Bentley GE, Ubuka T, McGuire NL, Chowdhury VS, Morita Y, Yano T,**  
3106 **Hasunuma I, Binns M, Wingfield JC, Tsutsui K.** Gonadotropin-inhibitory hormone  
3107 and its receptor in the avian reproductive system. *Gen Comp Endocrinol* 156: 34–43,  
3108 2008.
- 3109 52. **Berga SL, Loucks AB, Rossmanith WG, Kettel LM, Laughlin GA, Yen SS.**  
3110 Acceleration of luteinizing hormone pulse frequency in functional hypothalamic

- 3111 amenorrhea by dopaminergic blockade. *J Clin Endocrinol Metab* 72: 151–156, 1991.
- 3112 53. **Berger P, Kranewitter W, Madersbacher S, Gerth R, Geley S, Dirnhofer S.**
- 3113 Eutopic production of human chorionic gonadotropin beta (hCG beta) and luteinizing
- 3114 hormone beta (hLH beta) in the human testis. *FEBS Lett* 343: 229–33, 1994.
- 3115 54. **Bertotto L, Richards J, Gan J, Volz D, Schlenk D.** Effects of bifenthrin exposure on
- 3116 the estrogenic and dopaminergic pathways in zebrafish embryos and juveniles. *Environ*
- 3117 *Toxicol Chem* 37: 236–246, 2018.
- 3118 55. **Bertrand F, Thiery J, Picard S, Malpoux B.** Implication of D2-like dopaminergic
- 3119 receptors in the median eminence during the establishment of long-day inhibition of
- 3120 LH secretion in the ewe. *J Endocrinol* 163: 243–254, 1999.
- 3121 56. **Bhattarai J, Roa J, Herbison A, Han S.** Serotonin acts through 5-HT1 and 5-HT2
- 3122 receptors to exert biphasic actions on GnRH neuron excitability in the mouse.
- 3123 *Endocrinology* 155: 513–524, 2014.
- 3124 57. **Bicknell RJ, Follett BK.** A quantitative assay for luteinizing hormone releasing
- 3125 hormone (LHRH) using dispersed pituitary cells. *Gen Comp Endocrinol* 26: 141–152,
- 3126 1975.
- 3127 58. **Bigot L, Zatylny-Gaudin C, Rodet F, Bernay B, Boudry P, Favrel P.**
- 3128 Characterization of GnRH-related peptides from the Pacific oyster *Crassostrea gigas*.
- 3129 *Peptides* 34: 303–310, 2012.
- 3130 59. **Bilger M, Heger S, Brann DW, Paredes A, Ojeda SR.** A conditional tetracycline-
- 3131 regulated increase in Gamma amino butyric acid production near luteinizing hormone-
- 3132 releasing hormone nerve terminals disrupts estrous cyclicity in the rat. *Endocrinology*
- 3133 142: 2102–2114, 2001.
- 3134 60. **Biran J, Golan M, Mizrahi N, Ogawa S, Parhar IS, Levavi-Sivan B.** LPXRFa, the
- 3135 piscine ortholog of GnIH, and LPXRF receptor positively regulate gonadotropin

- 3136 secretion in tilapia (*Oreochromis niloticus*). *Endocrinology* 155: 4391–4401, 2014.
- 3137 61. **Birken S, Maydelman Y, Gawinowicz MA, Pound A, Liu Y, Hartree A.** Isolation  
3138 and characterization of human pituitary chorionic gonadotropin. *Endocrinology* 137:  
3139 1402–1411, 1996.
- 3140 62. **Birman S, Morgan B, Anzivino M, Hirsh J.** A novel and major isoform of tyrosine  
3141 hydroxylase in *Drosophila* is generated by alternative RNA processing. *J Biol Chem*  
3142 269: 26559–26567, 1994.
- 3143 63. **Björklund A, Dunnett S.** Dopamine neuron systems in the brain: an update. *Trends*  
3144 *Neurosci* 30: 194–202, 2007.
- 3145 64. **Björklund A, Lindvall O.** Dopamine-containing systems in the CNS. In: *Classical*  
3146 *Transmitters in the CNS*. Amsterdam: Björklund, A and Hökfelt, T, 1984, p. 55–122.
- 3147 65. **Blithe D, Richards R, Skarulis M.** Free alpha molecules from pregnancy stimulate  
3148 secretion of prolactin from human decidual cells: a novel function for free alpha in  
3149 pregnancy. *Endocrinology* 129: 2257–2259, 1991.
- 3150 66. **Boehmler W, Carr T, Thisse C, Thisse B, Canfield VA, Levenson R.** D4 Dopamine  
3151 receptor genes of zebrafish and effects of the antipsychotic clozapine on larval  
3152 swimming behaviour. *Genes Brain Behav* 6: 155–166, 2007.
- 3153 67. **Boehmler W, Obrecht-Pflumio S, Canfield V, Thisse C, Thisse B, Levenson R.**  
3154 Evolution and expression of D2 and D3 dopamine receptor genes in zebrafish. *Dev*  
3155 *Dyn An Off Publ Am Assoc Anat* 230: 481–493, 2004.
- 3156 68. **Bonini JA, Jones KA, Adham N, Forray C, Artymyshyn R, Durkin MM, Smith**  
3157 **KE, Tamm JA, Boteju LW, Lakhani PP, Raddatz R, Yao WJ, Ogozalek KL,**  
3158 **Boyle N, Kouranova E V., Quan Y, Vaysse PJ, Wetzel JM, Branchek TA, Gerald**  
3159 **C, Borowsky B.** Identification and characterization of two G protein-coupled receptors  
3160 for neuropeptide FF. *J Biol Chem* 275: 39324–39331, 2000.

- 3161 69. **Bosch TCG, Klimovich A, Domazet-Lošo T, Gründer S, Holstein TW, Jékely G,**  
3162 **Miller DJ, Murillo-Rincon AP, Rentzsch F, Richards GS, Schröder K, Technau U,**  
3163 **Yuste R.** Back to the Basics: Cnidarians Start to Fire. *Trends Neurosci* 40: 92–105,  
3164 2017.
- 3165 70. **Bosma PT, Blázquez M, Collins MA, Bishop JD, Drouin G, Priede IG, Docherty**  
3166 **K, Trudeau VL.** Multiplicity of glutamic acid decarboxylases (GAD) in vertebrates:  
3167 molecular phylogeny and evidence for a new GAD paralog. *Mol Biol Evol* 16: 397–  
3168 404, 1999.
- 3169 71. **Bouché N, Lacombe B, Fromm H.** GABA signaling: a conserved and ubiquitous  
3170 mechanism. *Trends Cell Biol* 13: 607–610, 2003.
- 3171 72. **Braasch I, Gehrke A, Smith J, Kawasaki K, Et A.** The spotted gar genome  
3172 illuminates vertebrate evolution and facilitates human-to-teleost comparisons. *Nat*  
3173 *Genet* 48: 427–437, 2016.
- 3174 73. **Brago CW, Whisnant CS, Goodman RL.** A role for catecholaminergic neurons in  
3175 the suppression of pulsatile luteinizing hormone secretion in the prepubertal ewe lamb.  
3176 *Neuroendocrinology* 52: 448–454, 1990.
- 3177 74. **Bruzzone F, Lectez B, Alexandre D, Jégou S, Mounien L, Tollemer H, Chatenet**  
3178 **D, Leprince J, Vallarino M, Vaudry H, Chartrel N.** Distribution of 26RFa Binding  
3179 Sites and GPR103 mRNA in the Central Nervous System of the Rat FEDERICA. *J*  
3180 *Comp Neurol* 503: 573–591, 2007.
- 3181 75. **Buonomo FC, Rabii J, Scanes CG.** Aminergic involvement in the control of  
3182 luteinizing hormone secretion in the domestic fowl. *Gen Comp Endocrinol* 45: 162–  
3183 166, 1981.
- 3184 76. **Buonomo FC, Scanes CG.** Pharmacological studies on the noradrenergic control of  
3185 luteinizing hormone secretion in the domestic fowl. *Gen Comp Endocrinol* 49: 358–



- 3186 363, 1983.
- 3187 77. **Burgus R, Butcher M, Ling N, Monahan M, J R, Fellows R, Amoss M, Blackwell**
- 3188 **R, Vale W, Guillemin R.** Molecular structure of the hypothalamic factor (LRF) of
- 3189 ovine origin monitoring the secretion of pituitary gonadotropic hormone of
- 3190 luteinization (LH). *C R Acad Sci Hebd Seances Acad Sci D 273*: 1611–1613, 1971.
- 3191 78. **Burzawa-Gérard E, Fontaine Y.** Formation d'une molécule hybride douée d'une
- 3192 activité gonadotrope sur la Grenouille, à partir de la sous-unité  $\alpha$  de l'hormone
- 3193 lutéinisante bovine et d'une sous-unité de l'hormone gonadotrope d'un Poisson
- 3194 téléostéen. *C R Séances Acad Sci III 282*: 97–100, 1976.
- 3195 79. **Buznikov GA, Shmukler YB, Lauder JM.** From oocyte to neuron: do
- 3196 neurotransmitters function in the same way throughout development? *Cell Mol*
- 3197 *Neurobiol 16*: 537–559, 1996.
- 3198 80. **Buznikov GA, Shmukler YB, Lauder JM.** Changes in the physiological roles of
- 3199 neurotransmitters during individual development. *Neurosci Behav Physiol 29*: 11–21,
- 3200 1999.
- 3201 81. **Calas A.** Radioautographic studies of aminergic neurons terminating in the median
- 3202 eminence. *Adv Biochem Psychopharmacol 16*: 79–88, 1977.
- 3203 82. **Callier S, Snapyan M, Le Crom S, Prou D, Vincent J-D, Vernier P.** Evolution and
- 3204 cell biology of dopamine receptors in vertebrates. *Biol Cell 95*: 489–502, 2003.
- 3205 83. **Campbell RK, Satoh N, Degnan BM.** Piecing together evolution of the vertebrate
- 3206 endocrine system. *Trends Genet 20*: 359–366, 2004.
- 3207 84. **Candy J, Collet C.** Two tyrosine hydroxylase genes in teleosts. *Biochim Biophys Acta*
- 3208 *1727*: 35–44, 2005.
- 3209 85. **Cao J, Shi F, Liu X, Huang G, Zhou M.** Phylogenetic analysis and evolution of
- 3210 aromatic amino acid hydroxylase. *FEBS Lett 584*: 4775–4782, 2010.

- 3211 86. **Caraty A, Skinner DC.** Gonadotropin-releasing hormone in third ventricular  
3212 cerebrospinal fluid: Endogenous distribution and exogenous uptake. *Endocrinology*  
3213 149: 5227–5234, 2008.
- 3214 87. **Cardoso JCR, Félix RC, Bjärnmark N, Power DM.** Allatostatin-type A, kisspeptin  
3215 and galanin GPCRs and putative ligands as candidate regulatory factors of mantle  
3216 function. *Mar Genomics* 27: 25–35, 2016.
- 3217 88. **Carlsson A.** The occurrence, distribution and physiological role of catecholamines in  
3218 the nervous system. *Pharmacol Rev* 11: 490–493, 1959.
- 3219 89. **Carlsson A, Lindqvist M, Magnusson T, Waldeck B.** On the presence of 3-  
3220 hydroxytyramine in brain. *Science* 127: 471, 1958.
- 3221 90. **Carrier A, Devignes MD, Renoir D, Auffray C.** Chicken tyrosine hydroxylase gene:  
3222 isolation and functional characterization of the 5' flanking region. *J Neurochem* 61:  
3223 2215–2224, 1993.
- 3224 91. **Castellano JM, Gaytan M, Roa J, Vigo E, Navarro VM, Bellido C, Dieguez C,**  
3225 **Aguilar E, Sánchez-Criado JE, Pellicer A, Pinilla L, Gaytan F, Tena-Sempere M.**  
3226 Expression of KiSS-1 in rat ovary: Putative local regulator of ovulation?  
3227 *Endocrinology* 147: 4852–4862, 2006.
- 3228 92. **Catt K, Dufau M, Tsuruhara T.** Studies on a radioligand-receptor assay system for  
3229 luteinizing hormone and chorionic gonadotropin. *J Clin Endocr Metab* : 860–863,  
3230 1971.
- 3231 93. **Cattanach B, Iddon C, Charlton H, Chiappa S, Fink G.** Gonadotrophin-releasing  
3232 hormone deficiency in a mutant mouse with hypogonadism. *Nature* 269: 338–340,  
3233 1977.
- 3234 94. **Cazzamali G, Saxild N, Grimmelikhuijzen CJP.** Molecular cloning and functional  
3235 expression of a *Drosophila* corazonin receptor. *Biochem Biophys Res Commun* 298:

- 3236 31–36, 2002.
- 3237 95. **Chabot V, Magallon T, Taragnat C, Combarnous Y.** Two free isoforms of ovine  
3238 glycoprotein hormone alpha-subunit strongly differ in their ability to stimulate  
3239 prolactin release from foetal pituitaries. *J Endocrinol* 164: 287–297, 2000.
- 3240 96. **Chambery A, Parente A, Topo E, Garcia-Fernández J, D’Aniello S.**  
3241 Characterization and putative role of a type 1 gonadotropin-releasing hormone in the  
3242 cephalochordate amphioxus. *Endocrinology* 150: 812–820, 2009.
- 3243 97. **Chan Y-M, de Guillebon A, Lang-Muritano M, Plummer L, Cerrato F, Tsiaras S,**  
3244 **Gaspert A, Lavoie HB, Wu C-H, Crowley WF, Amory JK, Pitteloud N, Seminara**  
3245 **SB.** *GNRH1* mutations in patients with idiopathic hypogonadotropic hypogonadism.  
3246 *Proc Natl Acad Sci* 106: 11703–11708, 2009.
- 3247 98. **Chang JP, Goor F Van, Acharya S.** Influences of Norepinephrine, and Adrenergic  
3248 Agonists and Antagonists on Gonadotropin Secretion from Dispersed Pituitary Cells of  
3249 Goldfish, *Carassius auratus*. *Neuroendocrinology* 54: 202–210, 1991.
- 3250 99. **Chang JP, Pemberton JG.** Comparative aspects of GnRH-Stimulated signal  
3251 transduction in the vertebrate pituitary – Contributions from teleost model systems.  
3252 *Mol Cell Endocrinol* 463: 142–167, 2018.
- 3253 100. **Chang JP, Peter RE.** Effects of dopamine on gonadotropin release in female goldfish,  
3254 *Carassius auratus*. *Neuroendocrinology* 36: 351–357, 1983.
- 3255 101. **Chang JP, Yu KL, Wong AO, Peter RE.** Differential actions of dopamine receptor  
3256 subtypes on gonadotropin and growth hormone release in vitro in goldfish.  
3257 *Neuroendocrinology* 51: 664–674, 1990.
- 3258 102. **Chartrel N, Alonzeau J, Alexandre D, Jeandel L, Alvear-Perez R, Leprince J,**  
3259 **Boutin J, Vaudry H, Anouar Y, Llorens-Cortes C.** The RFamide neuropeptide  
3260 26RFa and its role in the control of neuroendocrine functions. *Front Neuroendocrinol*

- 3261 32: 387–397, 2011.
- 3262 103. **Chartrel N, Bruzzone F, Leprince J, Tollemmer H, Anouar Y, Do-Régo JC, Ségalas-**  
3263 **Milazzo I, Guilhaudis L, Cosette P, Jouenne T, Simonnet G, Vallarino M,**  
3264 **Beauvillain JC, Costentin J, Vaudry H.** Structure and functions of the novel  
3265 hypothalamic RFamide neuropeptides R-RFa and 26RFa in vertebrates. *Peptides* 27:  
3266 1110–1120, 2006.
- 3267 104. **Chartrel N, Dujardin C, Anouar Y, Leprince J, Decker A, Clerens S, Do-Régo J-**  
3268 **C, Vandesande F, Llorens-Cortes C, Costentin J, Beauvillain J-C, Vaudry H.**  
3269 Identification of 26RFa, a hypothalamic neuropeptide of the RFamide peptide family  
3270 with orexigenic activity. *Proc Natl Acad Sci* 100: 15247–15252, 2003.
- 3271 105. **Chartrel N, Picot M, El Medhi M, Arabo A, Berrahmoune H, Alexandre D,**  
3272 **Maucotel J, Anouar Y, Prévost G.** The neuropeptide 26RFa (QRFP) and its role in  
3273 the regulation of energy homeostasis: A mini-review. *Front Neurosci* 10, 2016.
- 3274 106. **Chen WP, Witkin JW, Silverman AJ.** Gonadotropin releasing hormone (GnRH)  
3275 neurons are directly innervated by catecholamine terminals. *Synapse* 3: 288–290, 1989.
- 3276 107. **Chen Y, Fan H, Hsieh S, Kuo C.** Physiological involvement of DA in ovarian  
3277 development of the freshwater giant prawn, *Macrobrachium rosenbergii*. *Aquaculture*  
3278 228: 383–395, 2003.
- 3279 108. **Cheng CK, Leung PCK.** Molecular biology of gonadotropin-releasing hormone  
3280 (GnRH)-I, GnRH-II, and their receptors in humans. *Endocr Rev* 26: 283–306, 2005.
- 3281 109. **Chianese R, Ciaramella V, Fasano S, Pierantoni R, Meccariello R.** Kisspeptin  
3282 Receptor, GPR54, as a Candidate for the Regulation of Testicular Activity in the Frog  
3283 *Rana esculenta*1. *Biol Reprod* 88: 1–11, 2013.
- 3284 110. **Chianese R, Ciaramella V, Fasano S, Pierantoni R, Meccariello R.** Kisspeptin  
3285 drives germ cell progression in the anuran amphibian *Pelophylax esculentus*: A study

- 3286 carried out in ex vivo testes. *Gen Comp Endocrinol* 211: 81–91, 2015.
- 3287 111. **Chianese R, Ciaramella V, Fasano S, Pierantoni R, Meccariello R.** Kisspeptin  
3288 regulates steroidogenesis and spermiation in anuran amphibian. *Reproduction* 154:  
3289 403–414, 2017.
- 3290 112. **Choi J, Smitz J.** Luteinizing hormone and human chorionic gonadotropin: Origins of  
3291 difference. *Mol Cell Endocrinol* 383: 203–213, 2014.
- 3292 113. **Choi YJ, Kim NN, Habibi HR, Choi CY.** Effects of gonadotropin inhibitory hormone  
3293 or gonadotropin-releasing hormone on reproduction-related genes in the protandrous  
3294 cinnamon clownfish, *Amphiprion melanopus*. *Gen Comp Endocrinol* 235: 89–99,  
3295 2016.
- 3296 114. **Chowdhury VS, Ubuka T, Osugi T, Shimura T, Tsutsui K.** Identification,  
3297 localization and expression of LPXRFamide peptides, and melatonin-dependent  
3298 induction of their precursor mRNA in the newt brain. *J Endocrinol* 209: 211–220,  
3299 2011.
- 3300 115. **Chvalova D, Zdechovanova L, Vaneckova H, Hodkova M.** Brain norepinephrine  
3301 identified by mass spectrometry is associated with reproductive status of females of the  
3302 linden bug *Pyrrhocoris apterus*. *Comp Biochem Physiol B-Biochemistry Mol Biol* 168:  
3303 70–75, 2014.
- 3304 116. **Chyb J, Sokolowska-Mikolajczyk M, Mikolajczyk T, Socha M, Epler P.** The  
3305 influence of gabaergic drugs upon LH secretion from the pituitary of the common carp:  
3306 an in vitro study. *Reprod Biol* 1: 51–61, 2001.
- 3307 117. **Ciccone N, Dunn I, Boswell T, Tsutsui K, Ubuka T, K U, Sharp P.** Gonadotropin  
3308 inhibitory hormone depresses gonadotropin alpha and follicle-stimulating hormone  
3309 beta subunit expression in the pituitary of the domestic chicken. *J Neuroendocrinol* 16:  
3310 999–1006, 2004.

- 3311 118. **Clarke IJ, Sari IP, Qi Y, Smith JT, Parkington HC, Ubuka T, Iqbal J, Li Q,**  
3312 **Tilbrook A, Morgan K, Pawson AJ, Tsutsui K, Millar RP, Bentley GE.** Potent  
3313 action of RFamide-related peptide-3 on pituitary gonadotropes indicative of a  
3314 hypophysiotropic role in the negative regulation of gonadotropin secretion.  
3315 *Endocrinology* 149: 5811–5821, 2008.
- 3316 119. **Clerget E, de Sousa N, Bella A, Maghuin-Rogister G, Beckers J.** Placental  
3317 glycoproteins in the mammals. *Ann Endocrinol* 69: 18–29, 2008.
- 3318 120. **Clifton DK, Sawyer CH.** Positive and negative feedback effects of ovarian steroids on  
3319 luteinizing hormone release in ovariectomized rats following chronic depletion of  
3320 hypothalamic norepinephrine. *Endocrinology* 106: 1099–1102, 1980.
- 3321 121. **Clulow J, Trudeau VL, Kouba AJ.** Amphibian declines in the twenty-first century:  
3322 why we need assisted reproductive technologies. *Adv Exp Med Biol* 753: 275–316,  
3323 2014.
- 3324 122. **Coetsee M, Millar R, Flanagan C, Lu Z.** Identification of Tyr(290(6.58)) of the  
3325 human gonadotropin-releasing hormone (GnRH) receptor as a contact residue for both  
3326 GnRH I and GnRH II: importance for high-affinity binding and receptor activation.  
3327 *Biochemistry* 47: 10305–10313, 2008.
- 3328 123. **Cole H, Hart G.** The potency of blood serum of mares in progressive stages of  
3329 pregnancy in effecting the sexual maturity of the immature rat. *Am Jour Physiol* 93:  
3330 57–68, 1930.
- 3331 124. **Cole LA, Butler S.** Hyperglycosylated hCG, hCG $\beta$  and Hyperglycosylated hCG $\beta$ :  
3332 Interchangeable cancer promoters. *Mol Cell Endocrinol* 349: 232–238, 2012.
- 3333 125. **Collin F, Chartrel N, Fasolo A, Michael Conlon J, Vandesande F, Vaudry H.**  
3334 Distribution of two molecular forms of gonadotropin-releasing hormone (GnRH) in the  
3335 central nervous system of the frog *Rana ridibunda*. *Brain Res* 703: 111–128, 1995.

- 3336 126. **Condliffe P, Bates R.** Chromatography of thyrotropin on diethyl-aminoethyl cellulose.  
3337 *Arch Biochem Biophys* 68: 229–236, 1957.
- 3338 127. **Conlon J, Collin F, Chiang Y, Sower S, Vaudry H.** Two molecular forms of  
3339 gonadotropin-releasing hormone from the brain of the frog, *Rana ribibunda*:  
3340 purification, characterization, and distribution. *Endocrinology* 132: 2117–2123, 1993.
- 3341 128. **Contijoch AM, Gonzalez C, Singh HN, Malamed S, Troncoso S, Advis JP.**  
3342 Dopaminergic regulation of luteinizing hormone-releasing hormone release at the  
3343 median eminence level: immunocytochemical and physiological evidence in hens.  
3344 *Neuroendocrinology* 55: 290–300, 1992.
- 3345 129. **Conzelmann M, Williams EA, Krug K, Franz-Wachtel M, Macek B, Jékely G.**  
3346 The neuropeptide complement of the marine annelid *Platynereis dumerilii*. *BMC*  
3347 *Genomics* 14: 906, 2013.
- 3348 130. **Craven RP, McDonald PG.** The effect of intrahypothalamic infusions of dopamine  
3349 noradrenaline on ovulation in the adult rat. *Life Sci I* 10: 1409–1415, 1971.
- 3350 131. **Le Crom S, Kapsimali M, Barôme P-O, Vernier P.** Dopamine receptors for every  
3351 species: gene duplications and functional diversification in Craniates. *J Struct Funct*  
3352 *Genomics* 3: 161–176, 2003.
- 3353 132. **Crowe S, Cushing H, Homans J.** Experimental hypophysectomy. *Bull Johns Hopkins*  
3354 *Hosp* 21: 128–169, 1910.
- 3355 133. **Crump KL, Trudeau VL.** Mercury-induced reproductive impairment in fish. *Environ*  
3356 *Toxicol Chem* 28: 895–907, 2009.
- 3357 134. **Cunha V, Rodrigues P, Santos MM, Moradas-Ferreira P, Ferreira M.** Fluoxetine  
3358 modulates the transcription of genes involved in serotonin, dopamine and adrenergic  
3359 signalling in zebrafish embryos. *Chemosphere* 191: 954–961, 2018.
- 3360 135. **d'Anglemont de Tassigny X, Fagg LA, Dixon JPC, Day K, Leitch HG, Hendrick**

- 3361 **AG, Zahn D, Franceschini I, Caraty A, Carlton MBL, Aparicio SAJR, Colledge**  
3362 **WH.** Hypogonadotropic hypogonadism in mice lacking a functional *Kiss1* gene. *Proc*  
3363 *Natl Acad Sci* 104: 10714–10719, 2007.
- 3364 136. **D’Mello SR, Turzai LM, Gioio AE, Kaplan BB.** Isolation and structural  
3365 characterization of the bovine tyrosine hydroxylase gene. *J Neurosci Res* 23: 31–40,  
3366 1989.
- 3367 137. **Dahlström A, Fuxe K.** Localization of monoamines in the lower brain stem.  
3368 *Experientia* 20: 398–399, 1964.
- 3369 138. **Dailey RA, Tsou RC, Tindall GT, Neill JD.** Direct hypophysial inhibition of  
3370 luteinizing hormone release by dopamine in the rabbit. *Life Sci* 22: 1491–1498, 1978.
- 3371 139. **Darmon MC, Guibert B, Leviel V, Ehret M, Maitre M, Mallet J.** Sequence of two  
3372 mRNAs encoding active rat tryptophan hydroxylase. *J Neurochem* 51: 312–316, 1988.
- 3373 140. **Daukss D, Gazda K, Kosugi T, Osugi T, Tsutsui K, Sower SA.** Effects of lamprey  
3374 PQRamide peptides on brain gonadotropin-releasing hormone concentrations and  
3375 pituitary gonadotropin- $\beta$  mRNA expression. *Gen Comp Endocrinol* 177: 215–219,  
3376 2012.
- 3377 141. **Dave A, Krishna A, Tsutsui K.** Direct effects of RFRP-1, a mammalian GnIH  
3378 ortholog, on ovarian activities of the cyclic mouse. *Gen Comp Endocrinol* 252: 193–  
3379 199, 2017.
- 3380 142. **Davidson J, Wakefield I, Millar R.** Absence of rapid desensitization of the mouse  
3381 gonadotropin-releasing hormone receptor. *Biochem J* 300: 299–302, 1994.
- 3382 143. **Decatur WA, Hall JA, Smith JJ, Li W, Sower SA.** Insight from the lamprey genome:  
3383 Glimpsing early vertebrate development via neuroendocrine-associated genes and  
3384 shared synteny of gonadotropin-releasing hormone (GnRH). *Gen Comp Endocrinol*  
3385 192: 237–245, 2013.



- 3386 144. **DeFeudis F V.** Amino acids as central neurotransmitters. *Annu Rev Pharmacol* 15:  
3387 105–130, 1975.
- 3388 145. **Dehal P, Boore JL.** Two rounds of whole genome duplication in the ancestral  
3389 vertebrate. *PLoS Biol* 3, 2005.
- 3390 146. **Delgado MJ, Cerdá-Reverter JM, Soengas JL.** Hypothalamic integration of  
3391 metabolic, endocrine, and circadian signals in fish: Involvement in the control of food  
3392 intake. *Front Neurosci* 11, 2017.
- 3393 147. **Demchyshyn LL, Sugamori KS, Lee FJ, Hamadanizadeh SA, Niznik HB.** The  
3394 dopamine D1D receptor. Cloning and characterization of three pharmacologically  
3395 distinct D1-like receptors from *Gallus domesticus*. *J Biol Chem* 270: 4005–4012, 1995.
- 3396 148. **Densmore VS, Urbanski HF.** Relative effect of gonadotropin-releasing hormone  
3397 (GnRH)-I and GnRH-II on gonadotropin release. *J Clin Endocrinol Metab* 88: 2126–  
3398 2134, 2003.
- 3399 149. **Deviche P, Small T, Sharp P, Tsutsui K.** Control of luteinizing hormone and  
3400 testosterone secretion in a flexibly breeding male passerine, the Rufous-winged  
3401 Sparrow, *Aimophila carpalis*. *Gen Comp Endocrinol* 149: 226–235, 2006.
- 3402 150. **Dickerson S, Gore A.** Estrogenic environmental endocrine-disrupting chemical effects  
3403 on reproductive neuroendocrine function and dysfunction across the life cycle. *Rev*  
3404 *Endocr Metab Disord* 8: 143–159, 2007.
- 3405 151. **Dickinson P, Fairfield W, Hetling J, Hauptman J.** Neurotransmitter interactions in  
3406 the stomatogastric system of the spiny lobster: one peptide alters the response of a  
3407 central pattern generator to a second peptide. *J Neurophysiol* 77: 599–610, 1997.
- 3408 152. **Dockray G, Reeve JJ, Shively J, Gayton R, Barnard C.** A novel active pentapeptide  
3409 from chicken brain identified by antibodies to FMRFamide. *Nature* 305: 328–330,  
3410 1983.

- 3411 153. **Dockray GJ.** The expanding family of -RFamide peptides and their effects on feeding  
3412 behaviour. *Exp Physiol* 89: 229–235, 2004.
- 3413 154. **Dodd GT, Luckman SM.** Physiological roles of GPR10 and PrRP signaling. *Front*  
3414 *Endocrinol (Lausanne)* 4: 1–9, 2013.
- 3415 155. **Domański E, Przekop F, Skubiszewski B, Wolińska E.** The effect and site of action  
3416 of indoleamines on the hypothalamic centers involved in the control of LH release and  
3417 ovulation in sheep. *Neuroendocrinology* 17: 265–273, 1975.
- 3418 156. **Donoso AO.** Induction of prolactin and luteinizing hormone release by histamine in  
3419 male and female rats and the influence of brain transmitter antagonists. *J Endocrinol*  
3420 76: 193–202, 1978.
- 3421 157. **Donoso AO, Banzan AM.** Acute effects of histamine on plasma prolactin and  
3422 luteinizing hormone levels in male rats. *J Neural Transm* 39: 95–101, 1976.
- 3423 158. **Donoso AO, Banzan AM.** Failure of histamine to induce the release of luteinizing  
3424 hormone in castrated rats primed with sex steroids. *J Endocrinol* 78: 447–448, 1978.
- 3425 159. **Donoso AO, Banzan AM.** Effects of increase of brain GABA levels on the  
3426 hypothalamic-pituitary-luteinizing hormone axis in rats. *Acta Endocrinol (Copenh)*  
3427 106: 298–304, 1984.
- 3428 160. **Donoso AO, Banzan AM, Borzino MI.** Prolactin and luteinizing hormone release  
3429 after intraventricular injection of histamine in rats. *J Endocrinol* 68: 171–172, 1976.
- 3430 161. **Donoso AO, López FJ, Negro-Vilar A.** Cross-talk between excitatory and inhibitory  
3431 amino acids in the regulation of luteinizing hormone-releasing hormone secretion.  
3432 *Endocrinology* 131: 1559–1561, 1992.
- 3433 162. **Donoso AO, Seltzer AM, Navarro CE, Cabrera RJ, López FJ, Negro-Vilar A.**  
3434 Regulation of luteinizing hormone-releasing hormone and luteinizing hormone  
3435 secretion by hypothalamic amino acids. *Brazilian J Med Biol Res = Rev Bras Pesqui*

- 3436 *Medicag E Biol* 27: 921–932, 1994.
- 3437 163. **Dubois EA, Zandbergen MA, Peute J, Goos HJ.** Evolutionary development of three  
3438 gonadotropin-releasing hormone (GnRH) systems in vertebrates. *Brain Res Bull* 57:  
3439 413–418, 2002.
- 3440 164. **Dubos MP, Bernay B, Favrel P.** Molecular characterization of an adipokinetic  
3441 hormone-related neuropeptide (AKH) from a mollusk. *Gen Comp Endocrinol* 243: 15–  
3442 21, 2017.
- 3443 165. **Ducret E, Anderson GM, Herbison AE.** RFamide-related peptide-3, a mammalian  
3444 gonadotropin-inhibitory hormone ortholog, regulates gonadotropin-releasing hormone  
3445 neuron firing in the mouse. *Endocrinology* 150: 2799–2804, 2009.
- 3446 166. **Dufour S, Lopez E, Le Menn F, Le Belle N, Baloché S, Fontaine YA.** Stimulation of  
3447 gonadotropin release and of ovarian development, by the administration of a  
3448 gonadoliberin agonist and of dopamine antagonists, in female silver eel pretreated with  
3449 estradiol. *Gen Comp Endocrinol* 70: 20–30, 1988.
- 3450 167. **Dufour S, Sébert M, Weltzien F, Rousseau K, Pasqualini C.** Neuroendocrine  
3451 control by dopamine of teleost reproduction. *J Fish Biol* 76: 129–160, 2010.
- 3452 168. **Dufour S, Weltzien FA, Sebert ME, Le Belle N, Vidal B, Vernier P, Pasqualini C.**  
3453 Dopaminergic inhibition of reproduction in teleost fishes: Ecophysiological and  
3454 evolutionary implications. *Ann N Y Acad Sci* 1040: 9–21, 2005.
- 3455 169. **Dumas L, Kim YH, Karimpour-Fard A, Cox M, Hopkins J, Pollack JR, Sikela**  
3456 **JM.** Gene copy number variation spanning 60 million years of human and primate  
3457 evolution. *Genome Res* 17: 1266–1277, 2007.
- 3458 170. **Dunn CW, Hejnol A, Matus DQ, Pang K, Browne WE, Smith SA, Seaver E,**  
3459 **Rouse GW, Obst M, Edgecombe GD, Sørensen M V., Haddock SHD, Schmidt-**  
3460 **Rhaesa A, Okusu A, Kristensen RM, Wheeler WC, Martindale MQ, Giribet G.**

- 3461 Broad phylogenomic sampling improves resolution of the animal tree of life. *Nature*  
3462 452: 745–749, 2008.
- 3463 171. **Elhabazi K, Humbert JP, Bertin I, Schmitt M, Bihel F, Bourguignon JJ, Bucher**  
3464 **B, Becker JAJ, Sorg T, Meziane H, Petit-Demoulière B, Ilien B, Simonin F.**  
3465 Endogenous mammalian RF-amide peptides, including PrRP, kisspeptin and 26RFa,  
3466 modulate nociception and morphine analgesia via NPPF receptors.  
3467 *Neuropharmacology* 75: 164–171, 2013.
- 3468 172. **Elisio M, Soria FN, Fernandino JI, Strüssmann CA, Somoza GM, Miranda LA.**  
3469 Extrahypophyseal expression of gonadotropin subunits in pejerrey *Odontesthes*  
3470 *bonariensis* and effects of high water temperatures on their expression. *Gen Comp*  
3471 *Endocrinol* 175: 329–336, 2012.
- 3472 173. **Elliott GRD, Leys SP.** Evidence for glutamate, GABA and NO in coordinating  
3473 behaviour in the sponge, *Ephydatia muelleri* (Demospongiae, Spongillidae). *J Exp Biol*  
3474 213: 2310–2321, 2010.
- 3475 174. **Elphick MR, Mirabeau O.** The evolution and variety of RFamide-type neuropeptides:  
3476 Insights from deuterostomian invertebrates. *Front Endocrinol (Lausanne)* 5: 1–11,  
3477 2014.
- 3478 175. **Elphick MR, Mirabeau O, Larhammar D.** Evolution of neuropeptide signalling  
3479 systems. *J Exp Biol* 221: jeb151092, 2018.
- 3480 176. **Elshourbagy NA, Ames RS, Fitzgerald LR, Foley JJ, Chambers JK, Szekeres PG,**  
3481 **Evans NA, Schmidt DB, Buckley PT, Dytko GM, Murdock PR, Milligan G,**  
3482 **Groarke DA, Tan KB, Shabon U, Nuthulaganti P, Wang DY, Wilson S, Bergsma**  
3483 **DJ, Sarau HM.** Receptor for the pain modulatory neuropeptides FF and AF is an  
3484 orphan G protein-coupled receptor. *J Biol Chem* 275: 25965–25971, 2000.
- 3485 177. **Emanuele N, Connick E, Howell T, Anderson J, Hojvat S, Baker G, Soucek J,**

- 3486        **Kirsteins L, Lawrence A.** Hypothalamic luteinizing hormone (LH): characteristics  
3487        and response to hypophysectomy. *Biol Reprod* 25: 321–326, 1981.
- 3488    178. **Engström M, Brandt A, Wurster S, Savola J, Panula P.** Prolactin releasing peptide  
3489        has a high affinity and efficacy at neuropeptide FF2 receptors. *J Pharmacol Exp Ther*  
3490        305: 825–832, 2003.
- 3491    179. **Espigares F, Zanuy S, Gómez A.** Kiss2 as a Regulator of Lh and Fsh Secretion via  
3492        Paracrine/Autocrine Signaling in the Teleost Fish European Sea Bass (*Dicentrarchus*  
3493        *labrax*)1. *Biol Reprod* 93: 1–12, 2015.
- 3494    180. **Evans H, Long J.** Characteristic effects upon growth, oestrus and ovulation induced  
3495        by the intraperitoneal administration of fresh anterior hypophyseal substance. *Proc*  
3496        *Natl Acad Sci* 8: 38–39, 1922.
- 3497    181. **Fan NC, Peng C, Krisinger J, Leung PCK.** The human gonadotropin-releasing  
3498        hormone receptor gene: complete structure including multiple promoters, transcription  
3499        initiation sites, and polyadenylation signals. *Mol Cell Endocrinol* 107, 1995.
- 3500    182. **Fang P, He B, Shi M, Kong G, Dong X, Zhu Y, Bo P, Zhang Z.** The regulative  
3501        effect of galanin family members on link of energy metabolism and reproduction.  
3502        *Peptides* 71: 240–249, 2015.
- 3503    183. **Farajnia S, van Westering T, Meijer J, Michel S.** Seasonal induction of GABAergic  
3504        excitation in the central mammalian clock. *Proc Natl Acad Sci U S A* 111: 9627–9632,  
3505        2014.
- 3506    184. **Fauquet M, Grima B, Lamouroux A, Mallet J.** Cloning of quail tyrosine  
3507        hydroxylase: amino acid homology with other hydroxylases discloses functional  
3508        domains. *J Neurochem* 50: 142–148, 1988.
- 3509    185. **Felip A, Zanuy S, Pineda R, Pinilla L, Carrillo M, Tena-Sempere M, Gómez A.**  
3510        Evidence for two distinct KiSS genes in non-placental vertebrates that encode

- 3511 kisspeptins with different gonadotropin-releasing activities in fish and mammals. *Mol*  
3512 *Cell Endocrinol* 312: 61–71, 2009.
- 3513 186. **Felix RC, Trindade M, Pires IRP, Fonseca VG, Martins RS, Silveira H, Power**  
3514 **DM, Cardoso JCR.** Unravelling the evolution of the allatostatin-type A, KISS and  
3515 galanin peptide-receptor gene families in bilaterians: Insights from Anopheles  
3516 mosquitoes. *PLoS One* 10: 1–30, 2015.
- 3517 187. **Feng Y, Zhao H, An XF, Ma SL, Chen BY.** Expression of brain prolactin releasing  
3518 peptide (PrRP) changes in the estrous cycle of female rats. *Neurosci Lett* 419: 38–42,  
3519 2007.
- 3520 188. **Fernald RD, White RB.** Gonadotropin-releasing hormone genes: Phylogeny,  
3521 structure, and functions. *Front Neuroendocrinol* 20: 224–240, 1999.
- 3522 189. **Fernlund P, Josefsson L.** Crustacean color-change hormone: amino acid sequence and  
3523 chemical synthesis. *Science (80- )* 177: 173–175, 1972.
- 3524 190. **Fevold H, Hisaw F, Leonard S.** The gonad-stimulating and the luteinizing hormones  
3525 of the anterior lobe of the hypophysis. *Am J Physiol* 97: 291–301, 1931.
- 3526 191. **Fingerman F.** Roles of neurotransmitters in regulating reproductive hormone release  
3527 and gonadal maturation in decapod crustaceans. *Invert Reprod Dev* 31: 47–54, 1997.
- 3528 192. **Fink G.** MEMOIR: Harris’ neuroendocrine revolution: Of portal vessels and self-  
3529 priming. *J Endocrinol* 226: T13–T24, 2015.
- 3530 193. **Di Fiore M, Rastogi R, Ceciliani F, Messi E, Botte V, Botte L, Pinelli C, D’Aniello**  
3531 **B, D’Aniello A.** Mammalian and chicken I forms of gonadotropin-releasing hormone  
3532 in the gonads of a protochordate, *Ciona intestinalis*. *Proc Natl Acad Sci USA* 97: 2343–  
3533 2348, 2000.
- 3534 194. **Fiorentino M, Pinelli C, D’Aniello B, Iela L, Di Meglio M, Rastogi RK.**  
3535 Development and distribution of FMRFamide-like immunoreactivity in the toad (*Bufo*

- 3536 bufo) brain. *J Chem Neuroanat* 21: 201–213, 2001.
- 3537 195. **Fitzpatrick PF**. Tetrahydropterin-Dependent Amino Acid Hydroxylases. *Annu Rev*  
3538 *Biochem* 68: 355–381, 1999.
- 3539 196. **Flanagan CA, Manilall A**. Gonadotropin-releasing hormone (GnRH) receptor  
3540 structure and GnRH binding. *Front Endocrinol (Lausanne)* 8: 1–14, 2017.
- 3541 197. **Flügge G, Oertel WH, Wuttke W**. Evidence for estrogen-receptive GABAergic  
3542 neurons in the preoptic/anterior hypothalamic area of the rat brain.  
3543 *Neuroendocrinology* 43: 1–5, 1986.
- 3544 198. **Fong PP, Ford AT**. The biological effects of antidepressants on the molluscs and  
3545 crustaceans: A review. *Aquat Toxicol* 151: 4–13, 2014.
- 3546 199. **Fong PP, Noordhuis R, Ram JL**. Dopamine reduces intensity of serotonin-induced  
3547 spawning in the zebra mussel *Dreissena polymorpha* (Pallas). *J Exp Zool* 266: 79–83,  
3548 1993.
- 3549 200. **Fonnum F, Mariussen E**. Mechanisms involved in the neurotoxic effects of  
3550 environmental toxicants such as polychlorinated biphenyls and brominated flame  
3551 retardants. *J Neurochem* 111: 1327–1347, 2009.
- 3552 201. **Fontaine-Bertrand E, Marchelidon J, Salmon C, Fontaine Y**. Les sous-unités des  
3553 lutropines: une activité gonadotrope intrinsèque de  $\alpha$  et le rôle de  $\beta$  dans le  
3554 déterminisme de la spécificité zoologique d'action. *C R Seances Acad Sci III* 292: 507–  
3555 510, 1981.
- 3556 202. **Fontaine R, Affaticati P, Yamamoto K, Jolly C, Bureau C, Baloché S, Gonnet F,**  
3557 **Vernier P, Dufour S, Pasqualini C**. Dopamine inhibits reproduction in female  
3558 zebrafish (*Danio rerio*) via three pituitary D2 receptor subtypes. *Endocrinology* 154:  
3559 807–18, 2013.
- 3560 203. **Fontaine Y**. Spécificités des glycoprotéines hypophysaires à activité thyroïdienne et

- 3561 hypothèses sur leur phylogénie. *Bull Soc Chim Biol* 49: 647–655, 1967.
- 3562 204. **Fontaine Y.** La spécificité zoologique des protéines hypophysaires capables de  
3563 stimuler la thyroïde. *Acta Endocrinol* 136: 1–154, 1969.
- 3564 205. **Forfar R, Lu ZL.** Role of the transmembrane domain 4/extracellular loop 2 junction  
3565 of the human gonadotropin-releasing hormone receptor in ligand binding and receptor  
3566 conformational selection. *J Biol Chem* 286: 34617–34626, 2011.
- 3567 206. **Fox KM, Dias JA, Van Roey P.** Three-Dimensional Structure of Human Follicle-  
3568 Stimulating Hormone. *Mol Endocrinol* 15: 378–389, 2001.
- 3569 207. **Fraley GS, Coombs E, Gerometta E, Colton S, Sharp PJ, Li Q, Clarke IJ.**  
3570 Distribution and sequence of gonadotropin-inhibitory hormone and its potential role as  
3571 a molecular link between feeding and reproductive systems in the Pekin duck (*Anas*  
3572 *platyrhynchos domestica*). *Gen Comp Endocrinol* 184: 103–110, 2013.
- 3573 208. **Fredriksson R.** The G-Protein-Coupled Receptors in the Human Genome Form Five  
3574 Main Families. Phylogenetic Analysis, Paralogon Groups, and Fingerprints. *Mol*  
3575 *Pharmacol* 63: 1256–1272, 2003.
- 3576 209. **Fryxell KJ.** The evolutionary divergence of neurotransmitter receptors and second-  
3577 messenger pathways. *J Mol Evol* 41: 85–97, 1995.
- 3578 210. **Fujimoto M, Takeshita KI, Wang X, Takabatake I, Fujisawa Y, Teranishi H,**  
3579 **Ohtani M, Muneoka Y, Ohta S.** Isolation and characterization of a novel bioactive  
3580 peptide, carassius RFamide (C-RFa), from the brain of the Japanese crucian carp.  
3581 *Biochem Biophys Res Commun* 242: 436–440, 1998.
- 3582 211. **Fujisawa T, Hayakawa E.** Peptide signaling in Hydra. *Int J Dev Biol* 56: 543–550,  
3583 2012.
- 3584 212. **Fukusumi S, Habata Y, Yoshida H, Iijima N, Kawamata Y, Hosoya M, Fujii R,**  
3585 **Hinuma S, Kitada C, Shintani Y, Suenaga M, Onda H, Nishimura O, Tanaka M,**



- 3586 **Ibata Y, Fujino M.** Characteristics and distribution of endogenous RFamide-related  
3587 peptide-1. *Biochim Biophys Acta - Mol Cell Res* 1540: 221–232, 2001.
- 3588 213. **Fukusumi S, Yoshida H, Fujii R, Maruyama M, Komatsu H, Habata Y, Shintani**  
3589 **Y, Hinuma S, Fujino M.** A New Peptidic Ligand and Its Receptor Regulating Adrenal  
3590 Function in Rats. *J Biol Chem* 278: 46387–46395, 2003.
- 3591 214. **Funes S, Hedrick JA, Vassileva G, Markowitz L, Abbondanzo S, Golovko A,**  
3592 **Yang S, Monsma FJ, Gustafson EL.** The KiSS-1 receptor GPR54 is essential for the  
3593 development of the murine reproductive system. *Biochem Biophys Res Commun* 312:  
3594 1357–1363, 2003.
- 3595 215. **Fuxe K.** Cellular localization of monoamines in the median eminence and in the  
3596 infundibular stem of some mammals. *Acta Physiol Scand* 58: 383–384, 1963.
- 3597 216. **Gäde G.** Peptides of the adipokinetic hormone/red pigment-concentrating hormone  
3598 family: A new take on biodiversity. *Ann N Y Acad Sci* 1163: 125–136, 2009.
- 3599 217. **Gagné F, Blaise C.** Effects of municipal effluents on serotonin and dopamine levels in  
3600 the freshwater mussel *Elliptio complanata*. *Comp Biochem Physiol Toxicol Pharmacol*  
3601 *CBP* 136: 117–125, 2003.
- 3602 218. **Gahete MD, Vázquez-Borrego MC, Martínez-Fuentes AJ, Tena-Sempere M,**  
3603 **Castaño JP, Luque RM.** Role of the Kiss1/Kiss1r system in the regulation of pituitary  
3604 cell function. *Mol Cell Endocrinol* 438: 100–106, 2016.
- 3605 219. **Gaillard AL, Tay BH, Sirkin DIP, Lafont AG, De Flori C, Vissio PG, Mazan S,**  
3606 **Dufour S, Venkatesh B, Tostivint H.** Characterization of gonadotropin-releasing  
3607 hormone (GnRH) genes from cartilaginous fish: Evolutionary perspectives. *Front*  
3608 *Neurosci* 12: 1–14, 2018.
- 3609 220. **Gallardo WG, Hagiwara A, Snell TW.** GABA enhances reproduction of the rotifer  
3610 *Brachionus plicatilis* Muller: Application to mass culture. *Aquac Res* 31: 713–718,

- 3611 2000.
- 3612 221. **Gallegos-Sánchez J, Malpoux B, Thiéry JC.** Control of pulsatile LH secretion during  
3613 seasonal anoestrus in the ewe. *Reprod Nutr Dev* 38: 3–15, 1998.
- 3614 222. **Gallo R V.** Neuroendocrine regulation of pulsatile luteinizing hormone release in the  
3615 rat. *Neuroendocrinology* 30: 122–131, 1980.
- 3616 223. **Gallo V, Accordi F, Chimenti C, Civinini A, Crivellato E.** Catecholaminergic  
3617 System of Invertebrates: Comparative and Evolutionary Aspects in Comparison With  
3618 the Octopaminergic System. *Int Rev Cell Mol Biol* 322: 363–394, 2016.
- 3619 224. **Gammelsaeter R, Frøyland M, Aragón C, Danbolt NC, Fortin D, Storm-Mathisen  
3620 J, Davanger S, Gundersen V.** Glycine, GABA and their transporters in pancreatic  
3621 islets of Langerhans: evidence for a paracrine transmitter interplay. *J Cell Sci* 117:  
3622 3749–3758, 2004.
- 3623 225. **García-Hernández MP, Koide Y, Díaz M V., Kawauchi H.** Isolation and  
3624 characterization of two distinct gonadotropins from the pituitary gland of  
3625 Mediterranean yellowtail, *Seriola dumerilii* (Risso, 1810). *Gen Comp Endocrinol* 106:  
3626 389–399, 1997.
- 3627 226. **Gen K, Okuzawa K, Senthilkumaran B, Tanaka H, Moriyama S, Kagawa H.**  
3628 Unique expression of gonadotropin-I and -II subunit genes in male and female red  
3629 seabream (*Pagrus major*) during sexual maturation. *Biol Reprod* 63: 308–319, 2000.
- 3630 227. **Gene M, Lee J, Miele ME, Hicks DJ, Karen K, Trent J, Weissman B, Welch DR.**  
3631 KiSS-1 , a Novel Human Malignant Melanoma. *J Natl Cancer Inst* 88: 1731–1737,  
3632 1996.
- 3633 228. **Gharaei A, Mahboudi F, Esmaili-Sari A, Edalat R, Adeli A, Keyvanshokoo H S.**  
3634 Molecular cloning of cDNA of mammalian and chicken II gonadotropin-releasing  
3635 hormones (mGnRHs and cGnRH-II) in the beluga (*Huso huso*) and the disruptive

- 3636 effect of methylmercury on gene expression. *Fish Physiol Biochem* 36: 803–817, 2010.
- 3637 229. **Gibbs DM, Neill JD.** Dopamine levels in hypophysial stalk blood in the rat are  
3638 sufficient to inhibit prolactin secretion in vivo. *Endocrinology* 102: 1895–1900, 1978.
- 3639 230. **Gibson EM, Humber SA, Jain S, Williams WP, Zhao S, Bentley GE, Tsutsui K,**  
3640 **Kriegsfeld LJ.** Alterations in RFamide-related peptide expression are coordinated with  
3641 the preovulatory luteinizing hormone surge. *Endocrinology* 149: 4958–4969, 2008.
- 3642 231. **Golan M, Martin AO, Mollard P, Levavi-Sivan B.** Anatomical and functional  
3643 gonadotrope networks in the teleost pituitary. *Sci Rep* 6: 1–8, 2016.
- 3644 232. **González-Martínez D, Madigou T, Zmora N, Anglade I, Zanuy S, Zohar Y, Elizur**  
3645 **A, Muñoz-Cueto JA, Kah O.** Differential Expression of Three Releasing Hormone )  
3646 Messengers in the Brain of the European Sea Bass ( *Dicentrarchus labrax* ). *J Comp*  
3647 *Neurol* 155: 144–155, 2001.
- 3648 233. **González-Martínez D, Zmora N, Mañanos E, Saligaut D, Zanuy S, Zohar Y,**  
3649 **Elizur A, Kah O, Muñoz-Cueto JA.** Immunohistochemical localization of three  
3650 different prepro-GnRHs in the brain and pituitary of the European sea bass  
3651 (*Dicentrarchus labrax*) using antibodies to the corresponding GnRH-associated  
3652 peptides. *J Comp Neurol* 446: 95–113, 2002.
- 3653 234. **González-Martínez D, Zmora N, Saligaut D, Zanuy S, Elizur A, Kah O, Muñoz-**  
3654 **Cueto JA.** New insights in developmental origins of different GnRH (gonadotrophin-  
3655 releasing hormone) systems in perciform fish: An immunohistochemical study in the  
3656 European sea bass (*Dicentrarchus labrax*). *J Chem Neuroanat* 28: 1–15, 2004.
- 3657 235. **Goodman RL, Jansen HT, Billings HJ, Coolen LM, Lehman MN.** Neural systems  
3658 mediating seasonal breeding in the ewe. *J Neuroendocrinol* 22: 674–681, 2010.
- 3659 236. **Gospocic J, Shields EJ, Glastad KM, Lin Y, Penick CA, Yan H, Mikheyev AS,**  
3660 **Linksvayer TA, Garcia BA, Berger SL, Liebig J, Reinberg D, Bonasio R.** The

- 3661           Neuropeptide Corazonin Controls Social Behavior and Caste Identity in Ants. *Cell*  
3662           170: 748-759.e12, 2017.
- 3663   237. **Gottsch ML, Cunningham MJ, Smith JT, Popa SM, Acohido B V., Crowley WF,**  
3664           **Seminara S, Clifton DK, Steiner RA.** A role for kisspeptins in the regulation of  
3665           gonadotropin secretion in the mouse. *Endocrinology* 145: 4073–4077, 2004.
- 3666   238. **Gou Z-H, Wang X, Wang W.** Evolution of neurotransmitter gamma-aminobutyric  
3667           acid, glutamate and their receptors. *Dong Wu Xue Yan Jiu = Zool Res* 33: E75-81,  
3668           2012.
- 3669   239. **Gougeon A.** Human ovarian follicular development: from activation of resting follicles  
3670           to preovulatory maturation. *Ann Endocrinol* 71: 132–143, 2010.
- 3671   240. **Graham KM, Langhorne C. J, Vance CK, Willard ST, Kouba AJ.** *Ultrasound*  
3672           *imaging improves hormone therapy strategies for induction of ovulation and in vitro*  
3673           *fertilization in the endangered dusky gopher frog (Lithobates sevosa).* 2018.
- 3674   241. **Grattan D.** 60 YEARS OF NEUROENDOCRINOLOGY: The hypothalamo-prolactin  
3675           axis. *J Endocrinol* 226: T101-122, 2015.
- 3676   242. **De Greef WJ, Neill JD.** Dopamine levels in hypophysial stalk plasma of the rat during  
3677           surges of prolactin secretion induced by cervical stimulation. *Endocrinology* 105:  
3678           1093–1099, 1979.
- 3679   243. **Grenett HE, Ledley FD, Reed LL, Woo SL.** Full-length cDNA for rabbit tryptophan  
3680           hydroxylase: functional domains and evolution of aromatic amino acid hydroxylases.  
3681           *Proc Natl Acad Sci U S A* 84: 5530–5534, 1987.
- 3682   244. **Grima B, Lamouroux A, Blanot F, Biguet NF, Mallet J.** Complete coding sequence  
3683           of rat tyrosine hydroxylase mRNA. *Proc Natl Acad Sci U S A* 82: 617–621, 1985.
- 3684   245. **Grimmelikhuijzen CJP, Hauser F.** Mini-review: The evolution of neuropeptide  
3685           signaling. *Regul Pept* 177: S6–S9, 2012.

- 3686 246. **Grone BP, Maruska KP, Korzan WJ, Fernald RD.** Social status regulates kisspeptin  
3687 receptor mRNA in the brain of *Astatotilapia burtoni*. *Gen Comp Endocrinol* 169: 98–  
3688 107, 2010.
- 3689 247. **Grosse R, Schmid A, Schöneberg T, Herrlich A, Muhn P, Schultz G, Gudermann**  
3690 **T.** Gonadotropin-releasing Hormone Receptor Initiates Multiple Signaling Pathways  
3691 by Exclusively Coupling to Gq/11Proteins. *J Biol Chem* 275: 9193–9200, 2000.
- 3692 248. **Guilgur LG, Moncaut NP, Canário AVM, Somoza GM.** Evolution of GnRH ligands  
3693 and receptors in gnathostomata. *Comp Biochem Physiol - A Mol Integr Physiol* 144:  
3694 272–283, 2006.
- 3695 249. **Guillou F, Combarrous Y.** Purification of equine gonadotropins and comparative  
3696 study of their acid-dissociation and receptor-binding specificity. *BBA - Gen Subj* 755:  
3697 229–236, 1983.
- 3698 250. **Gundlah C, Alves S, Clark J, Pai L-Y, Schaeffer J, Rohrer S.** Estrogen receptor-  
3699 beta regulates tryptophan hydroxylase-1 expression in the murine midbrain raphe. *Biol*  
3700 *Psychiatry* 57: 938–942, 2005.
- 3701 251. **Guzmán J, Cal R, García-López A, Chereguini O, Kight K, Olmedo M,**  
3702 **Sarasquete C, Mylonas C, Peleteiro J, Zohar Y, Mañanós E.** Effects of in vivo  
3703 treatment with the dopamine antagonist pimozide and gonadotropin-releasing hormone  
3704 agonist (GnRHa) on the reproductive axis of Senegalese sole (*Solea senegalensis*).  
3705 *Comp Biochem Physiol A Mol Integr Physiol* 158: 235–245, 2011.
- 3706 252. **Gwee PC, Tay BH, Brenner S, Venkatesh B.** Characterization of the  
3707 neurohypophysial hormone gene loci in elephant shark and the Japanese lamprey:  
3708 Origin of the vertebrate neurohypophysial hormone genes. *BMC Evol Biol* 9: 1–15,  
3709 2009.
- 3710 253. **Haas H, Panula P.** The role of histamine and the tuberomamillary nucleus in the

- 3711 nervous system. *Nat Rev Neurosci* 4: 121–130, 2003.
- 3712 254. **Haas H, Sergeeva O, Selbach O.** Histamine in the nervous system. *Physiol Rev* 88:  
3713 1183–1241, 2008.
- 3714 255. **Hagen C, McNatty K, McNeilly A.** Immunoreactive  $\alpha$ - and  $\beta$ -subunits of luteinizing  
3715 hormone in human peripheral blood and follicular fluid throughout the menstrual cycle,  
3716 and their effect on the secretion rate of progesterone by human granulosa cells in tissue  
3717 culture. *J Endocrinol* 69: 33–46, 1976.
- 3718 256. **El Halawani ME, Silsby JL, Fehrer SC, Behnke EJ.** Reinitiation of ovulatory cycles  
3719 in incubating female turkeys by an inhibitor of serotonin synthesis, P-  
3720 chlorophenylalanine. *Biol Reprod* 28: 221–228, 1983.
- 3721 257. **Hall TR, Cheung A, Harvey S.** Serotonergic inhibition of LH secretion in the  
3722 domestic fowl. *J Endocrinol* 110: 239–244, 1986.
- 3723 258. **Hamdan FF, Ribeiro P.** Cloning and characterization of a novel form of tyrosine  
3724 hydroxylase from the human parasite, *Schistosoma mansoni*. *J Neurochem* 71: 1369–  
3725 1380, 1998.
- 3726 259. **Han S-K, Abraham I, Herbison A.** Effect of GABA on GnRH neurons switches from  
3727 depolarization to hyperpolarization at puberty in the female mouse. *Endocrinology*  
3728 143: 1459–1466, 2002.
- 3729 260. **Han S-K, Todman MG, Herbison AE.** Endogenous GABA release inhibits the firing  
3730 of adult gonadotropin-releasing hormone neurons. *Endocrinology* 145: 495–499, 2004.
- 3731 261. **Hansen KK, Stafflinger E, Schneider M, Hauser F, Cazzamali G, Williamson M,**  
3732 **Kollmann M, Schachtner J, Grimmelikhuijzen CJP.** Discovery of a novel insect  
3733 neuropeptide signaling system closely related to the insect adipokinetic hormone and  
3734 corazonin hormonal systems. *J Biol Chem* 285: 10736–10747, 2010.
- 3735 262. **Hargis B.** Plasma prolactin and luteinizing hormone levels of female turkeys in

- 3736 response to intraventricular administration of monoaminergic neurotransmitter. *Poult*  
3737 *Sci* 1661, 1982.
- 3738 263. **Harris KD, Zahavi A.** The evolution of ACh and GABA as neurotransmitters: a  
3739 hypothesis. *Med Hypotheses* 81: 760–762, 2013.
- 3740 264. **Hasunuma I, Terakado K.** Two Novel Gonadotropin-Releasing Hormones (GnRHs)  
3741 from the Urochordate Ascidian, *Halocynthia roretzi*: Implications for the Origin of  
3742 Vertebrate GnRH Isoforms. *Zoolog Sci* 30: 311–318, 2013.
- 3743 265. **Hauser F, Grimmelikhuijzen CJP.** Evolution of the AKH/corazonin/ACP/GnRH  
3744 receptor superfamily and their ligands in the Protostomia. *Gen Comp Endocrinol* 209:  
3745 35–49, 2014.
- 3746 266. **Hauser F, Neupert S, Williamson M, Predel R, Tanaka Y, Grimmelikhuijzen C.**  
3747 Genomics and peptidomics of neuropeptides and protein hormones present in the  
3748 parasitic wasp *Nasonia vitripennis*. *J Proteome Res* 9: 5296–5310, 2010.
- 3749 267. **Hauser F, Sondergaard L, Grimmelikhuijzen CJP.** Molecular cloning, genomic  
3750 organization and developmental regulation of a novel receptor from *Drosophila*  
3751 *melanogaster* structurally related to gonadotropin-releasing hormone receptors from  
3752 vertebrates. *Biochem Biophys Res Commun* 249: 822–828, 1998.
- 3753 268. **Hay-Schmidt A.** The evolution of the serotonergic nervous system. *Proceedings Biol*  
3754 *Sci* 267: 1071–1079, 2000.
- 3755 269. **Hayes W, Wray S, Battey J.** The frog gonadotropin-releasing hormone-I (GnRH-I)  
3756 gene has a mammalian-like expression pattern and conserved domains in GnRH-  
3757 associated peptide, but brain onset is delayed until metamorphosis. *Endocrinology* 134:  
3758 1835–1845, 1994.
- 3759 270. **Hays L, Carpenter C, Petersen S.** Evidence that GABAergic neurons in the preoptic  
3760 area of the rat brain are targets of 2,3,7,8-tetrachlorodibenzo-p-dioxin during

- 3761 development. *Environ Health Perspect* 110 Suppl: 369–376, 2002.
- 3762 271. **Hearn M, Gomme P.** Molecular architecture and biorecognition processes of the  
3763 cystine knot protein superfamily: part I. The glycoprotein hormones. *J Mol Recognit*  
3764 13: 223–278, 2000.
- 3765 272. **Henke A, Gromoll J.** New insights into the evolution of chorionic gonadotrophin. *Mol*  
3766 *Cell Endocrinol* 291: 11–19, 2008.
- 3767 273. **Henkel C V., Burgerhout E, de Wijze DL, Dirks RP, Minegishi Y, Jansen HJ,**  
3768 **Spaink HP, Dufour S, Weltzien FA, Tsukamoto K, van den Thillart GEEJM.**  
3769 Primitive duplicate hox clusters in the european eel's genome. *PLoS One* 7, 2012.
- 3770 274. **Henkel C V., Dirks RP, de Wijze DL, Minegishi Y, Aoyama J, Jansen HJ, Turner**  
3771 **B, Knudsen B, Bundgaard M, Hvam KL, Boetzer M, Pirovano W, Weltzien FA,**  
3772 **Dufour S, Tsukamoto K, Spaink HP, van den Thillart GEEJM.** First draft genome  
3773 sequence of the Japanese eel, *Anguilla japonica*. *Gene* 511: 195–201, 2012.
- 3774 275. **Herbison AE.** Noradrenergic regulation of cyclic GnRH secretion. *Rev Reprod* 2: 1–6,  
3775 1997.
- 3776 276. **Herbison AE, Chapman C, Dyer RG.** Role of medial preoptic GABA neurones in  
3777 regulating luteinising hormone secretion in the ovariectomised rat. *Exp Brain Res* 87:  
3778 345–352, 1991.
- 3779 277. **Herbison AE, Dyer RG.** Effect on luteinizing hormone secretion of GABA receptor  
3780 modulation in the medial preoptic area at the time of proestrous luteinizing hormone  
3781 surge. *Neuroendocrinology* 53: 317–320, 1991.
- 3782 278. **Heuer CM, Loesel R.** Immunofluorescence analysis of the internal brain anatomy of  
3783 *Nereis diversicolor* (Polychaeta, Annelida). *Cell Tissue Res* 331: 713–724, 2008.
- 3784 279. **Van Hiel MB, Vandersmissen HP, Van Loy T, Vanden Broeck J.** An evolutionary  
3785 comparison of leucine-rich repeat containing G protein-coupled receptors reveals a



- 3786 novel LGR subtype. *Peptides* 34: 193–200, 2012.
- 3787 280. **Hinuma S, Habata Y, Fujii R, Kawamata Y, Hosoya M, Fukusumi S, Kitada C,**  
3788 **Masuo Y, Asano T, Matsumoto H, Sekiguchi M, Kurokawa T, Nishimura O,**  
3789 **Onda H, Fujino M.** A prolactin-releasing peptide in the brain. *Nature* 393: 272–276,  
3790 1998.
- 3791 281. **Hinuma S, Shintani Y, Fukusumi S, Iijima N, Matsumoto Y, Hosoya M, Fujii R,**  
3792 **Watanabe T, Et A.** New neuropeptides containing carboxy-terminal RFamide and  
3793 their receptor in mammals. *Nat Cell Biol* 2: 703–708, 2000.
- 3794 282. **Hirai S, Kishimoto T, Kadam AL, Kanatani H, Koide SS.** Induction of spawning  
3795 and oocyte maturation by 5-hydroxytryptamine in the surf clam. *J Exp Zool* 245: 318–  
3796 321, 1988.
- 3797 283. **Hizume T, Watanobe H, Yoneda M, Suda T, Schiöth HB.** Involvement of prolactin-  
3798 releasing peptide in the preovulatory luteinizing hormone and prolactin surges in the  
3799 rat. *Biochem Biophys Res Commun* 279: 35–39, 2000.
- 3800 284. **Holland LZ, Ocampo Daza D.** A new look at an old question□: when did the second  
3801 whole genome duplication occur in vertebrate evolution□? *Genome Biol* 19: 2–5, 2018.
- 3802 285. **Holland P.** *The Animal Kingdom: A Very Short Introduction.* Oxford Uni. Oxford:  
3803 2011.
- 3804 286. **Holland PW, Garcia-Fernández J, Williams NA, Sidow A.** Gene duplications and  
3805 the origins of vertebrate development. *Dev. Suppl.* .
- 3806 287. **Holmes R, Ball J.** *The pituitary gland - a comparative account.* Cambridge University  
3807 Press, 1974.
- 3808 288. **Honma T, Miyagawa M, Suda M, Wang R-S, Kobayashi K, Sekiguchi S.** Effects of  
3809 perinatal exposure to bisphenol A on brain neurotransmitters in female rat offspring.  
3810 *Ind Health* 44: 510–524, 2006.

- 3811 289. **Honma T, Suda M, Miyagawa M, Wang R-S, Kobayashi K, Sekiguchi S.**  
3812 Alteration of brain neurotransmitters in female rat offspring induced by prenatal  
3813 administration of 16 and 64 mg/kg of 2,2',4,4',5,5'-hexachlorobiphenyl (PCB153). *Ind*  
3814 *Health* 47: 11–21, 2009.
- 3815 290. **Hori A, Honda S, Asada M, Ohtaki T, Oda K, Watanabe T, Shintani Y, Yamada**  
3816 **T, Suenaga M, Kitada C, Onda H, Kurokawa T, Nishimura O, Fujino M.** Metastin  
3817 suppresses the motility and growth of CHO cells transfected with its receptor. *Biochem*  
3818 *Biophys Res Commun* 286: 958–963, 2001.
- 3819 291. **Hornykiewicz O.** [Dopamine (3-hydroxytyramine) in the central nervous system and  
3820 its relation to the Parkinson syndrome in man]. *Dtsch Med Wochenschr* 87: 1807–  
3821 1810, 1962.
- 3822 292. **Hsu MC, Wang JY, Lee YJ, Jong DS, Tsui KH, Chiu CH.** Kisspeptin modulates  
3823 fertilization capacity of mouse spermatozoa. *Reproduction* 147: 835–845, 2014.
- 3824 293. **Hsu S, Nakabayashi K, Bhalla A.** Evolution of glycoprotein hormone subunit genes  
3825 in bilateria: identification of two novel human glycoprotein hormone subunit family  
3826 genes, GPA2 and GPB5. *Mol Endocrinol* 16: 1538–1551, 2002.
- 3827 294. **Hu Y, Shi D, Luo Q, Liu Q, Zhou Y, Liu L, Yu L, Wei W, Shen J.** Cloning and  
3828 characterization of a novel enzyme: tyrosine hydroxylase from *Schistosoma*  
3829 *japonicum*. *Parasitol Res* 109: 1065–1074, 2011.
- 3830 295. **Hua W, Luo L, Tian Y, Song M, Liu Y, Cui P, Song S, Jiang S, Li F, Fang F.**  
3831 Analysis of the serum concentrations of kisspeptin and neurokinin B in the geese  
3832 during reproductive cycle and their localisation in the ovary. *Anim Reprod Sci* 151: 78–  
3833 84, 2014.
- 3834 296. **Hughes AL.** Phylogenies of developmentally important proteins do not support the  
3835 hypothesis of two rounds of genome duplication early in vertebrate history. *J Mol Evol*

- 3836 48: 565–576, 1999.
- 3837 297. **Huhtaniemi I.** A short evolutionary history of FSH-stimulated spermatogenesis.  
3838 *Hormones* 14: 468–478, 2015.
- 3839 298. **Hultqvist G, Ocampo Daza D, Larhammar D, Kilimann MW.** Evolution of the  
3840 vertebrate paralemmin gene family: Ancient origin of gene duplicates suggests distinct  
3841 functions. *PLoS One* 7, 2012.
- 3842 299. **Huseman CA, Kugler JA, Schneider IG.** Mechanism of dopaminergic suppression of  
3843 gonadotropin secretion in men. *J Clin Endocrinol Metab* 51: 209–214, 1980.
- 3844 300. **Hwang SH, Cho S, Park YC.** cDNA cloning and induction of tyrosine hydroxylase  
3845 gene from the diamondback moth, *Plutella xylostella*. *Arch Insect Biochem Physiol* 75:  
3846 107–120, 2010.
- 3847 301. **Ichikawa S, Nasrin S, Nagatsu T.** Expression of mouse tyrosine hydroxylase in  
3848 *Escherichia coli*. *Biochem Biophys Res Commun* 178: 664–671, 1991.
- 3849 302. **Ikemoto T, Enomoto M, Park MK.** Identification and characterization of a reptilian  
3850 GnRH receptor from the leopard gecko. *Mol Cell Endocrinol* 214: 137–147, 2004.
- 3851 303. **Iles RK, Delves PJ, Butler SA.** Does hCG or hCG $\beta$  play a role in cancer cell biology?  
3852 *Mol Cell Endocrinol* 329: 62–70, 2010.
- 3853 304. **Illing N, Jacobs G, Becker I, Flanagan C, Davidson J, Eales A, Zhou W, Sealfon S,**  
3854 **Millar R.** Comparative sequence analysis and functional characterization of the cloned  
3855 sheep gonadotropin-releasing hormone receptor reveal differences in primary structure  
3856 and ligand specificity among mammalian receptors. *Biochem Biophys Res Commun*  
3857 196: 745–751, 1993.
- 3858 305. **Illing N, Troskie BE, Nahorniak CS, Hapgood JP, Peter RE, Millar RP.** Two  
3859 gonadotropin-releasing hormone receptor subtypes with distinct ligand selectivity and  
3860 differential distribution in brain and pituitary in the goldfish (*Carassius auratus*). *Proc*

- 3861 *Natl Acad Sci U S A* 96: 2526–2531, 1999.
- 3862 306. **Irfan S, Ehmcke J, Shahab M, Wistuba J, Schlatt S.** Immunocytochemical  
3863 localization of kisspeptin and kisspeptin receptor in the primate testis. *J Med Primatol*  
3864 45: 105–111, 2016.
- 3865 307. **Irwig M, Fraley G, Smith J, Acohido B, Popa S, Cunningham M, Gottsch M,**  
3866 **Clifton D, Steiner R.** Kisspeptin activation of gonadotropin releasing hormone  
3867 neurons and regulation of KiSS-1 mRNA in the male rat. *Neuroendocrinology* 80:  
3868 264–272, 2004.
- 3869 308. **Isabel G, Gourdoux L, Moreau R.** Changes of biogenic amine levels in haemolymph  
3870 during diapausing and non-diapausing status in *Pieris brassicae* L. *Comp Biochem*  
3871 *Physiol A Mol Integr Physiol* 128: 117–127, 2001.
- 3872 309. **Ishii S.** Gonadotropins. In: *Vertebrate Endocrinology: Fundamentals and Biochemical*  
3873 *Implications*, edited by Pang P, Schreibman M. New York: 1991, p. 33–66.
- 3874 310. **Isomura N, Yamauchi C, Takeuchi Y, Takemura A.** Does dopamine block the  
3875 spawning of the acroporid coral *Acropora tenuis*? *Sci Rep* 3: 10–13, 2013.
- 3876 311. **Iversen SD, Iversen LL.** Dopamine: 50 years in perspective. *Trends Neurosci* 30:  
3877 188–193, 2007.
- 3878 312. **Iwakoshi-Ukena E, Ukena K, Takuwa-Kuroda K, Kanda A, Tsutsui K, Minakata**  
3879 **H.** Expression and distribution of octopus gonadotropin-releasing hormone in the  
3880 central nervous system and peripheral organs of the octopus (*Octopus vulgaris*) by in  
3881 situ hybridization and immunohistochemistry. *J Comp Neurol* 477: 310–323, 2004.
- 3882 313. **Iwakoshi E, Takuwa-Kuroda K, Fujisawa Y, Hisada M, Minakata H, Ukena K,**  
3883 **Tsutsui K.** Isolation and characterization of a GnRH-like peptide from *Octopus*  
3884 *vulgaris*. *Biochem Biophys Res Commun* 291: 1187–1193, 2002.
- 3885 314. **Jaber M, Robinson SW, Missale C, Caron MG.** Dopamine receptors and brain

- 3886 function. *Neuropharmacology* 35: 1503–1519, 1996.
- 3887 315. **Jadhao AG, Pinelli C, D’Aniello B, Tsutsui K.** Gonadotropin-inhibitory hormone  
3888 (GnIH) in the amphibian brain and its relationship with the gonadotropin releasing  
3889 hormone (GnRH) system: An overview. *Gen Comp Endocrinol* 240: 69–76, 2017.
- 3890 316. **Jaillon O, Aury J-M, Brunet F, Petit J-L, Stange-Thomann N, Mauceli E,**  
3891 **Bouneau L, Fischer C, Ozouf-Costaz C, Bernot A, Nicaud S, Jaffe D, Fisher S,**  
3892 **Lutfalla G, Dossat C, Segurens B, Dasilva C, Salanoubat M, Levy M, Boudet N,**  
3893 **Castellano S, Anthouard V, Jubin C, Castelli V, Katinka M, Vacherie B, Biémont**  
3894 **C, Skalli Z, Cattolico L, Poulain J, De Berardinis V, Cruaud C, Duprat S, Brottier**  
3895 **P, Coutanceau J-P, Gouzy J, Parra G, Lardier G, Chapple C, McKernan KJ,**  
3896 **McEwan P, Bosak S, Kellis M, Volff J-N, Guigó R, Zody MC, Mesirov J,**  
3897 **Lindblad-Toh K, Birren B, Nusbaum C, Kahn D, Robinson-Rechavi M, Laudet V,**  
3898 **Schachter V, Quétier F, Saurin W, Scarpelli C, Wincker P, Lander ES,**  
3899 **Weissenbach J, Roest Crolius H.** Genome duplication in the teleost fish *Tetraodon*  
3900 *nigroviridis* reveals the early vertebrate proto-karyotype. *Nature* 431: 946–957, 2004.
- 3901 317. **Jarry H, Leonhardt S, Schwarze T, Wuttke W.** Preoptic rather than mediobasal  
3902 hypothalamic amino acid neurotransmitter release regulates GnRH secretion during the  
3903 estrogen-induced LH surge in the ovariectomized rat. *Neuroendocrinology* 62: 479–  
3904 486, 1995.
- 3905 318. **Jekely G.** Global view of the evolution and diversity of metazoan neuropeptide  
3906 signaling. *Proc Natl Acad Sci* 110: 8702–8707, 2013.
- 3907 319. **Jeng S-R, Yueh W-S, Pen Y-T, Lee Y-H, Chen G-R, Dufour S, Chang C-F.**  
3908 Neuroendocrine gene expression reveals a decrease in dopamine D2B receptor with no  
3909 changes in GnRH system during prepubertal metamorphosis of silvering in wild  
3910 Japanese eel. *Gen Comp Endocrinol* 206: 8–15, 2014.

- 3911 320. **Jennes L, Conn PM.** Gonadotropin-releasing hormone and its receptors in rat brain.  
3912 *Front. Neuroendocrinol.* 15: 51–77, 1994.
- 3913 321. **Jéquier E, Lovenberg W, Sjoerdsma A.** Tryptophan hydroxylase inhibition: the  
3914 mechanism by which p-chlorophenylalanine depletes rat brain serotonin. *Mol*  
3915 *Pharmacol* 3: 274–278, 1967.
- 3916 322. **Jiang Y, Luo L, Gustafson EL, Yadav D, Lavery M, Murgolo N, Vassileva G,**  
3917 **Zeng M, Laz TM, Behan J, Qiu P, Wang L, Wang S, Bayne M, Greene J, Monsma**  
3918 **F, Zhang FL.** Identification and characterization of a novel RF-amide peptide ligand  
3919 for orphan G-protein-coupled receptor SP9155. *J Biol Chem* 278: 27652–27657, 2003.
- 3920 323. **Jimenez-Liñan M, Rubin BS, King JC.** Examination of guinea pig luteinizing  
3921 hormonereleasing hormone gene reveals a unique decapeptide and existence of two  
3922 transcripts in the brain. *Endocrinology* 138: 4123–4130, 1997.
- 3923 324. **Johnson JI, Kavanaugh SI, Nguyen C, Tsai PS.** Localization and functional  
3924 characterization of a novel adipokinetic hormone in the mollusk, *Aplysia californica*.  
3925 *PLoS One* 9, 2014.
- 3926 325. **Johnson MA, Tsutsui K, Fraley GS.** Rat RFamide-related peptide-3 stimulates GH  
3927 secretion, inhibits LH secretion, and has variable effects on sex behavior in the adult  
3928 male rat. *Horm Behav* 51: 171–180, 2007.
- 3929 326. **Jolly C, Rousseau K, Prézeau L, Vol C, Tomkiewicz J, Dufour S, Pasqualini C.**  
3930 Functional Characterisation of Eel Dopamine D2 Receptors and Involvement in the  
3931 Direct Inhibition of Pituitary Gonadotrophins. *J Neuroendocrinol* 28, 2016.
- 3932 327. **Jones G, Gey G, Gey M.** Hormone production by placental cells maintained in  
3933 continuous cultures. *Bull Johns Hopkins Hosp* 72: 26, 1943.
- 3934 328. **De Jong-Brink M, Ter Maat A, Tensen CP.** NPY in invertebrates: Molecular  
3935 answers to altered functions during evolution. *Peptides* 22: 309–315, 2001.

- 3936 329. **Josefsson LG.** Evidence for kinship between diverse G-protein coupled receptors.  
3937 *Gene* 239: 333–340, 1999.
- 3938 330. **Joseph NT, Aquilina-Beck A, MacDonald C, Decatur WA, Hall JA, Kavanaugh**  
3939 **SI, Sower SA.** Molecular cloning and pharmacological characterization of two novel  
3940 GnRH receptors in the lamprey (*Petromyzon marinus*). *Endocrinology* 153: 3345–  
3941 3356, 2012.
- 3942 331. **Justo.** Effect of serotonergic system on FSH secretion in male and female rats:  
3943 evidence for stimulatory and inhibitory actions. *Neuroendocrinology* 50: 382–386,  
3944 1989.
- 3945 332. **Kadokawa H, Shibata M, Tanaka Y, Kojima T, Matsumoto K, Oshima K,**  
3946 **Yamamoto N.** Bovine C-terminal octapeptide of RFamide-related peptide-3  
3947 suppresses luteinizing hormone (LH) secretion from the pituitary as well as pulsatile  
3948 LH secretion in bovines. *Domest Anim Endocrinol* 36: 219–224, 2009.
- 3949 333. **Kah O, Chambolle P, Thibault J, Geffard M.** Existence of dopaminergic neurons in  
3950 the preoptic region of the goldfish. *Neurosci Lett* 48: 293–298, 1984.
- 3951 334. **Kah O, Dubourg P, Martinoli MG, Geffard M, Calas A.** Morphological evidence  
3952 for a direct neuroendocrine GABAergic control of the anterior pituitary in teleosts.  
3953 *Experientia* 43: 300–302, 1987.
- 3954 335. **Kah O, Dubourg P, Martinoli MG, Rabhi M, Gonnet F, Geffard M, Calas A.**  
3955 Central GABAergic innervation of the pituitary in goldfish: a radioautographic and  
3956 immunocytochemical study at the electron microscope level. *Gen Comp Endocrinol*  
3957 67: 324–332, 1987.
- 3958 336. **Kah O, Dulka JG, Dubourg P, Thibault J, Peter RE.** Neuroanatomical substrate for  
3959 the inhibition of gonadotrophin secretion in goldfish: existence of a dopaminergic  
3960 preoptico-hypophyseal pathway. *Neuroendocrinology* 45: 451–458, 1987.

- 3961 337. **Kah O, Lethimonier C, Somoza G, Guilgur LG, Vaillant C, Lareyre JJ.** GnRH and  
3962 GnRH receptors in metazoa: A historical, comparative, and evolutive perspective. *Gen*  
3963 *Comp Endocrinol* 153: 346–364, 2007.
- 3964 338. **Kah O, Trudeau VL, Sloley BD, Chang JP, Dubourg P, Yu KL, Peter RE.**  
3965 Influence of GABA on gonadotrophin release in the goldfish. *Neuroendocrinology* 55:  
3966 396–404, 1992.
- 3967 339. **Kalra SP, Kalra PS.** Neural regulation of luteinizing hormone secretion in the rat.  
3968 *Endocr Rev* 4: 311–351, 1983.
- 3969 340. **Kamberi IA, Mical RS, Porter JC.** Prolactin-inhibiting activity in hypophysial stalk  
3970 blood and elevation by dopamine. *Experientia* 26: 1150–1151, 1970.
- 3971 341. **Kamei H, Kawazoe I, Kaneko T, Aida K.** Purification of follicle-stimulating  
3972 hormone from immature Japanese eel, *Anguilla japonica*, and its biochemical  
3973 properties and steroidogenic activities. *Gen Comp Endocrinol* 143: 257–266, 2005.
- 3974 342. **Kamiya C, Ohta N, Ogura Y, Yoshida K, Horie T, Kusakabe TG, Satake H,**  
3975 **Sasakura Y.** Nonreproductive role of gonadotropin-releasing hormone in the control  
3976 of ascidian metamorphosis. *Dev Dyn* 243: 1524–1535, 2014.
- 3977 343. **Kanasaki H, Oride A, Mijiddorj T, Sukhbaatar U, Kyo S.** How is GnRH regulated  
3978 in GnRH-producing neurons? Studies using GT1-7 cells as a GnRH-producing cell  
3979 model. *Gen Comp Endocrinol* 247: 138–142, 2017.
- 3980 344. **Kanda A, Takahashi T, Satake H, Minakata H.** Molecular and functional  
3981 characterization of a novel gonadotropin-releasing-hormone receptor isolated from the  
3982 common octopus (*Octopus vulgaris*). *Biochem J* 395: 125–135, 2006.
- 3983 345. **Kaslin J, Panula P.** Comparative anatomy of the histaminergic and other aminergic  
3984 systems in zebrafish (*Danio rerio*). *J Comp Neurol* 440: 342–377, 2001.
- 3985 346. **Kass-Simon G, Pierobon P.** Cnidarian chemical neurotransmission, an updated



- 3986 overview. *Comp Biochem Physiol A Mol Integr Physiol* 146: 9–25, 2007.
- 3987 347. **Kasten TL, White SA, Norton TT, Bond CT, Adelman JP, Fernald RD.**
- 3988 Characterization of two new preproGnRH mRNAs in the tree shrew: First direct
- 3989 evidence for mesencephalic GnRH gene expression in a placental mammal. *Gen Comp*
- 3990 *Endocrinol* 104: 7–19, 1996.
- 3991 348. **Kavanaugh S, Tsai P.** Functional Authentication of a Novel Gastropod Gonadotropin-
- 3992 Releasing Hormone Receptor Reveals Unusual Features and Evolutionary Insight.
- 3993 *PLoS One* 11: e0160292, 2016.
- 3994 349. **Kavanaugh SI, Nozaki M, Sower SA.** Origins of gonadotropin-releasing hormone
- 3995 (GnRH) in vertebrates: Identification of a novel GnRH in a basal vertebrate, the sea
- 3996 lamprey. *Endocrinology* 149: 3860–3869, 2008.
- 3997 350. **Kawano E, Takahata Y, Oishi T, Ukena K, Tsutsui K, Tamotsu S.** Neural
- 3998 Interaction of Gonadotropin-regulating Hormone Immunoreactive Neurons and the
- 3999 Suprachiasmatic Nucleus with the Paraventricular Organ in the Japanese Grass Lizard
- 4000 (*Takydromus tachydromoides*). *Zoolog Sci* 23: 277–287, 2006.
- 4001 351. **Kebabian JW, Calne DB.** Multiple receptors for dopamine. *Nature* 277: 93–96, 1979.
- 4002 352. **Kelly MA, Rubinstein M, Asa SL, Zhang G, Saez C, Bunzow JR, Allen RG,**
- 4003 **Hnasko R, Ben-Jonathan N, Grandy DK, Low MJ.** Pituitary lactotroph hyperplasia
- 4004 and chronic hyperprolactinemia in dopamine D2 receptor-deficient mice. *Neuron* 19:
- 4005 103–113, 1997.
- 4006 353. **Khan IA, Thomas P.** Stimulatory effects of serotonin on maturational gonadotropin
- 4007 release in the Atlantic croaker, *Micropogonias undulatus*. *Gen Comp Endocrinol* 88:
- 4008 388–396, 1992.
- 4009 354. **Khan IA, Thomas P.** Immunocytochemical localization of serotonin and
- 4010 gonadotropin-releasing hormone in the brain and pituitary gland of the Atlantic croaker

- 4011 Micropogonias undulatus. *Gen Comp Endocrinol* 91: 167–180, 1993.
- 4012 355. **Khan IA, Thomas P.** Seasonal and daily variations in the plasma gonadotropin II  
4013 response to a LHRH analog and serotonin in Atlantic croaker (*Micropogonias*  
4014 *undulatus*): evidence for mediation by 5-HT<sub>2</sub> receptors. *J Exp Zool* 269: 531–537,  
4015 1994.
- 4016 356. **Khan IA, Thomas P.** GABA exerts stimulatory and inhibitory influences on  
4017 gonadotropin II secretion in the Atlantic croaker (*Micropogonias undulatus*).  
4018 *Neuroendocrinology* 69: 261–268, 1999.
- 4019 357. **Khan IA, Thomas P.** Disruption of neuroendocrine control of luteinizing hormone  
4020 secretion by aroclor 1254 involves inhibition of hypothalamic tryptophan hydroxylase  
4021 activity. *Biol Reprod* 64: 955–964, 2001.
- 4022 358. **Khotimchenko Y.** Effect of noradrenaline, dopamine and adrenolytics on growth and  
4023 maturation of the sea urchin, *Strongylocentrotus nudus* Agassiz. *Int J Invert Rep Dev* 4:  
4024 369–373, 1982.
- 4025 359. **Kim D-K, Yun S, Hoon G, Hwang J-I, Park C, Kim J, Kim K, Vaudry H, Seong J.**  
4026 Coevolution of the spexin/galanin/kisspeptin family: spexin activates galanin receptor  
4027 type II and III. *Endocrinology* 155: 1864–1873, 2014.
- 4028 360. **Kim DK, Cho EB, Moon MJ, Park S, Hwang JI, Kah O, Sower SA, Vaudry H,**  
4029 **Seong JY.** Revisiting the evolution of gonadotropin-releasing hormones and their  
4030 receptors in vertebrates: Secrets hidden in genomes. *Gen Comp Endocrinol* 170: 68–  
4031 78, 2011.
- 4032 361. **Kim DK, Cho EB, Moon MJ, Park S, Hwang JI, Rego JL Do, Vaudry H, Seong**  
4033 **JY.** Molecular coevolution of neuropeptides gonadotropin-releasing hormone and  
4034 kisspeptin with their cognate G protein-coupled receptors. *Front Neurosci* 6: 1–8,  
4035 2012.

- 4036 362. **Kim Y-J, Spalovska-Valachova I, Cho K-H, Zitnanova I, Park Y, Adams M,**  
4037 **Zitnan D.** Corazonin receptor signaling in ecdysis initiation. *Proc Natl Acad Sci USA*  
4038 101: 6704–6709, 2004.
- 4039 363. **Kimura F, Jinnai K.** Bicuculline infusions advance the timing of luteinizing hormone  
4040 surge in proestrous rats: comparisons with naloxone effects. *Horm Behav* 28: 424–430,  
4041 1994.
- 4042 364. **King JA, Millar RP.** Structure of Chicken Hypothalamic Luteinizing Hormone-  
4043 releasing Hormone. II. Isolation and characterization. *J Biol Chem* 257: 10729–10782,  
4044 1982.
- 4045 365. **King JA, Millar RP.** Structure of Chicken Hypothalamic Luteinizing Hormone-  
4046 releasing Hormone. I. Structural determination on partially purified material. *J Biol*  
4047 *Chem* 257: 10722–10728, 1982.
- 4048 366. **Kitahashi T, Ogawa S, Parhar IS.** Cloning and expression of kiss2 in the zebrafish  
4049 and medaka. *Endocrinology* 150: 821–831, 2009.
- 4050 367. **Klavdieva M.** The History of Neuropeptides II Discovery of hypothalamic  
4051 neurohormones, elucidation of the primary structure of substance P and further studies  
4052 on neurosecretion. *Front Neuroendocrinol* 17: 126–153, 1996.
- 4053 368. **Klouche MS, De Deurwaerdère P, Dellu-Hagedorn F, Lakhdar-Ghazal N,**  
4054 **Benomar S.** Monoamine content during the reproductive cycle of *Perna perna* depends  
4055 on site of origin on the Atlantic Coast of Morocco. *Sci Rep* 5: 13715, 2015.
- 4056 369. **Knobil E.** The neuroendocrine control of the menstrual cycle. *Recent Prog Horm Res*  
4057 36: 53–88, 1980.
- 4058 370. **Knobil E, Neill J.** *The physiology of reproduction.* Academic P. 2015.
- 4059 371. **Kobayashi M, Nakano R, Ooshima A.** Immunocytochemical localization of pituitary  
4060 gonadotrophins and gonadal steroids confirms the “two-cell, two-gonadotrophin”

- 4061 hypothesis of steroidogenesis in the human ovary. *J Endocrinol* 126: 483–488, 1990.
- 4062 372. **Koda A, Ukena K, Teranishi H, Ohta S, Yamamoto K, Kikuyama S, Tsutsui K.** A  
4063 novel amphibian hypothalamic neuropeptide: Isolation, localization, and biological  
4064 activity. *Endocrinology* 143: 411–419, 2002.
- 4065 373. **Koide Y, Itoh H, Kawauchi H.** Isolation and characterization of two distinct  
4066 gonadotropins, GTHI and GTHII, from bonito (*Katsuwonus plelami*) pituitary glands.  
4067 *Int J Pept Protein Res* 41: 52–65, 1993.
- 4068 374. **Kosonsiriluk S, Chaiworakul V, Mauro LJ, El Halawani ME.** Enhanced  
4069 GABAergic inhibition in the preammillary nucleus of photorefractory turkey hens  
4070 via GABAA receptor upregulation. *Gen Comp Endocrinol* 230–231: 57–66, 2016.
- 4071 375. **Kotani M, Detheux M, Vandenberghe A, Communi D, Vanderwinden JM, Le  
4072 Poul E, Brézillon S, Tyldesley R, Suarez-Huerta N, Vandeput F, Blanpain C,  
4073 Schiffmann SN, Vassart G, Parmentier M.** The Metastasis Suppressor Gene KiSS-1  
4074 Encodes Kisspeptins, the Natural Ligands of the Orphan G Protein-coupled Receptor  
4075 GPR54. *J Biol Chem* 276: 34631–34636, 2001.
- 4076 376. **Krey LC, Butler WR, Knobil E.** Surgical disconnection of the medial basal  
4077 hypothalamus and pituitary function in the rhesus monkey. I. Gonadotropin secretion.  
4078 *Endocrinology* 96: 1073–1087, 1975.
- 4079 377. **Kriegsfeld LJ, Mei DF, Bentley GE, Ubuka T, Mason AO, Inoue K, Ukena K,  
4080 Tsutsui K, Silver R.** Identification and characterization of a gonadotropin-inhibitory  
4081 system in the brains of mammals. *Proc Natl Acad Sci* 103: 2410–2415, 2006.
- 4082 378. **Kriegsfeld LJ, Ubuka T, Bentley GE, Tsutsui K.** Seasonal control of gonadotropin-  
4083 inhibitory hormone (GnIH) in birds and mammals. *Front Neuroendocrinol* 37: 65–75,  
4084 2015.
- 4085 379. **Kuljis RO, Advis JP.** Immunocytochemical and physiological evidence of a synapse

- 4086 between dopamine- and luteinizing hormone releasing hormone-containing neurons in  
4087 the ewe median eminence. *Endocrinology* 124: 1579–1581, 1989.
- 4088 380. **Kumar TR, Wang Y, Lu N, Matzuk MM.** Follicle stimulating hormone is required  
4089 for ovarian follicle maturation but not male fertility. *Nat Genet* 15: 201–204, 1997.
- 4090 381. **Kuo MW, Lou SW, Postlethwait J, Chung BC.** Chromosomal organization,  
4091 evolutionary relationship, and expression of zebrafish GnRH family members. *J*  
4092 *Biomed Sci* 12: 629–639, 2005.
- 4093 382. **De la Llosa P, Jutisz M.** Reversible dissociation into two subunits and biological  
4094 activity of ovine luteinizing hormone. *Biochem Biophys Acta* 181: 426–436, 1969.
- 4095 383. **Labhsetwar AP.** Role of monoamines in ovulation: evidence for a serotonergic  
4096 pathway for inhibition of spontaneous ovulation. *J Endocrinol* 54: 269–275, 1972.
- 4097 384. **Lacau-Mengido IM, Becú-Villalobos D, Thyssen SM, Rey EB, Lux-Lantos VA,**  
4098 **Libertun C.** Antidopaminergic-induced hypothalamic LHRH release and pituitary  
4099 gonadotrophin secretion in 12 day-old female and male rats. *J Neuroendocrinol* 5:  
4100 705–709, 1993.
- 4101 385. **Lagerström MC, Fredriksson R, Bjarnadóttir TK, Fridmanis D, Holmquist T,**  
4102 **Andersson J, Yan YL, Raudsepp T, Zoorob R, Kukkonen JP, Lundin LG, Klovins**  
4103 **J, Chowdhary BP, Postlethwait JH, Schiöth HB.** Origin of the prolactin-releasing  
4104 hormone (PRLH) receptors: Evidence of coevolution between PRLH and a redundant  
4105 neuropeptide Y receptor during vertebrate evolution. *Genomics* 85: 688–703, 2005.
- 4106 386. **Lagerström MC, Fredriksson R, Bjarnadottir TK, Schiöth HB.** The ancestry of the  
4107 prolactin-releasing hormone precursor. *Ann N Y Acad Sci* 1040: 368–370, 2005.
- 4108 387. **Lagrange AH, Wagner EJ, Rønnekleiv OK, Kelly MJ.** Estrogen rapidly attenuates a  
4109 GABAB response in hypothalamic neurons. *Neuroendocrinology* 64: 114–123, 1996.
- 4110 388. **Lamberts R, Vijayan E, Graf M, Mansky T, Wuttke W.** Involvement of preoptic-

- 4111 anterior hypothalamic GABA neurons in the regulation of pituitary LH and prolactin  
4112 release. *Exp Brain Res* 52: 356–362, 1983.
- 4113 389. **Lang R, Gundlach AL, Kofler B.** The galanin peptide family: Receptor  
4114 pharmacology, pleiotropic biological actions, and implications in health and disease.  
4115 *Pharmacol Ther* 115: 177–207, 2007.
- 4116 390. **Lapthorn A, Harris D, Littlejohn A, Lustbader J, Canfield R, Machin K, Lorgan  
4117 F, Isaacs N.** Crystal structure of human chorionic gonadotropin. *Nature* 369: 455–461,  
4118 1994.
- 4119 391. **Lariviere K, MacEachern L, Greco V, Majchrzak G, Chiu S, Drouin G, Trudeau  
4120 VL.** GAD(65) and GAD(67) isoforms of the glutamic acid decarboxylase gene  
4121 originated before the divergence of cartilaginous fishes. *Mol Biol Evol* 19: 2325–2329,  
4122 2002.
- 4123 392. **Lawrence AJ, Soame JM.** The endocrine control of reproduction in Nereidae: a new  
4124 multi-hormonal model with implications for their functional role in a changing  
4125 environment. *Philos Trans R Soc Lond B Biol Sci* 364: 3363–3376, 2009.
- 4126 393. **Lawrence C, Fraley GS.** Galanin-like peptide (GALP) is a hypothalamic regulator of  
4127 energy homeostasis and reproduction. *Front Neuroendocrinol* 32: 1–9, 2011.
- 4128 394. **Ledley FD, DiLella AG, Kwok SC, Woo SL.** Homology between phenylalanine and  
4129 tyrosine hydroxylases reveals common structural and functional domains. *Biochemistry*  
4130 24: 3389–3394, 1985.
- 4131 395. **Lee AW, Devidze N, Pfaff DW, Zhou J.** Functional genomics of sex hormone-  
4132 dependent neuroendocrine systems: specific and generalized actions in the CNS. *Prog  
4133 Brain Res* 158: 243–272, 2006.
- 4134 396. **Lee D, Nguyen T, O’Neill G, Cheng R, Liu Y, Howard A, Coulombe N, Tan C,  
4135 Tang-Nguyen A-T, George S, O’Dowd B.** Discovery of a receptor related to the

- 4136 galanin receptors. *FEBS Lett* 446: 103–107, 1999.
- 4137 397. **Lee SL, Stewart K, Goodman RH.** Structure of the gene encoding rat thyrotropin  
4138 releasing hormone. *J Biol Chem* 263: 16604–16609, 1988.
- 4139 398. **Lee Y, Tsunekawa K, Mi JM, Haet NU, Hwang JI, Osugi T, Otaki N, Sunakawa**  
4140 **Y, Kim K, Vaudry H, Hyuk BK, Seong JY, Tsutsui K.** Molecular evolution of  
4141 multiple forms of kisspeptins and GPR54 receptors in vertebrates. *Endocrinology* 150:  
4142 2837–2846, 2009.
- 4143 399. **Lejeune H, Habert R, Saez J.** Origin, proliferation and differentiation of Leydig cells.  
4144 *J Mol Endocrinol* 20: 1–25, 1998.
- 4145 400. **León-Olea M, Martyniuk CJ, Orlando EF, Ottinger MA, Rosenfeld C,**  
4146 **Wolstenholme J, Trudeau VL.** Current concepts in neuroendocrine disruption. *Gen*  
4147 *Comp Endocrinol* 203: 158–173, 2014.
- 4148 401. **León S, García-Galiano D, Ruiz-Pino F, Barroso A, Manfredi-Lozano M,**  
4149 **Romero-Ruiz A, Roa J, Vázquez MJ, Gaytan F, Blomenrohr M, Van Duin M,**  
4150 **Pinilla L, Tena-Sempere M.** Physiological roles of gonadotropin-inhibitory hormone  
4151 signaling in the control of mammalian reproductive axis: Studies in the NPF1  
4152 receptor null mouse. *Endocrinology* 155: 2953–2965, 2014.
- 4153 402. **Leon S, Tena-Sempere M.** Dissecting the roles of gonadotropin-inhibitory hormone in  
4154 mammals: Studies using pharmacological tools and genetically modified mouse  
4155 models. *Front Endocrinol (Lausanne)* 6: 1–11, 2016.
- 4156 403. **Leonardelli J, Barry J, Dubois M.** Demonstration by fluorescent antibody technic of  
4157 a substance immunologically related to LH-RF in hypothalamus and median eminence  
4158 in mammals. *C R Acad Sci Hebd Seances Acad Sci D* 276: 2043–2046, 1973.
- 4159 404. **Leprince J, Bagnol D, Bureau R, Fukusumi S, Granata R, Hinuma S, Larhammar**  
4160 **D, Primeaux S, Sopkova-de Oliveiras Santos J, Tsutsui K, Ukena K, Vaudry H.**

- 4161 The Arg–Phe-amide peptide 26RFa/glutamine RF-amide peptide and its receptor:  
4162 IUPHAR Review 24. *Br J Pharmacol* 174: 3573–3607, 2017.
- 4163 405. **Leranth C, MacLusky NJ, Sakamoto H, Shanabrough M, Naftolin F.** Glutamic  
4164 acid decarboxylase-containing axons synapse on LHRH neurons in the rat medial  
4165 preoptic area. *Neuroendocrinology* 40: 536–539, 1985.
- 4166 406. **Lethimonier C, Madigou T, Muñoz-Cueto JA, Lareyre JJ, Kah O.** Evolutionary  
4167 aspects of GnRHs, GnRH neuronal systems and GnRH receptors in teleost fish. *Gen  
4168 Comp Endocrinol* 135: 1–16, 2004.
- 4169 407. **Levavi-Sivan B, Bogerd J, Mañanós EL, Gómez A, Lareyre JJ.** Perspectives on fish  
4170 gonadotropins and their receptors. *Gen Comp Endocrinol* 165: 412–437, 2010.
- 4171 408. **Levavi-Sivan B, Ofir M, Yaron Z.** Possible sites of dopaminergic inhibition of  
4172 gonadotropin release from the pituitary of a teleost fish, tilapia. *Mol Cell Endocrinol*  
4173 109: 87–95, 1995.
- 4174 409. **Levitt M, Spector S, Sjoerdsma A, Udenfriend S.** Elucidation of the rate-limiting  
4175 step in norepinephrine biosynthesis in the perfused guinea-pig heart. *J Pharmacol Exp  
4176 Ther* 148: 1–8, 1965.
- 4177 410. **Li Q, Paciotti GF, Tamarkin L, Ottinger MA.** LHRH-I release from quail  
4178 hypothalamic slices measured by specific EIA. *Gen Comp Endocrinol* 95: 13–24,  
4179 1994.
- 4180 411. **Li S, Hauser F, Skadborg SK, Nielsen S V., Kirketerp-Møller N,  
4181 Grimmelikhuijzen CJP.** Adipokinetic hormones and their G protein-coupled  
4182 receptors emerged in Lophotrochozoa. *Sci Rep* 6: 1–13, 2016.
- 4183 412. **Li S, Pelletier G.** Role of dopamine in the regulation of gonadotropin-releasing  
4184 hormone in the male rat brain as studied by in situ hybridization. *Endocrinology* 131:  
4185 395–399, 1992.



- 4186 413. **Li S, Zhang Y, Liu Y, Huang X, Huang W, Lu D, Zhu P, Shi Y, Cheng CHK, Liu**  
4187 **X, Lin H.** Structural and functional multiplicity of the kisspeptin/GPR54 system in  
4188 goldfish (*Carassius auratus*). *J Endocrinol* 201: 407–418, 2009.
- 4189 414. **Li X, Shao B, Lin C, O’Byrne KT, Lin Y.** Stress-induced inhibition of LH pulses in  
4190 female rats: role of GABA in arcuate nucleus. *J Mol Endocrinol* 55: 9–19, 2015.
- 4191 415. **Li X, Su J, Fang R, Zheng L, Lei R, Wang X, Lei Z, Jin M, Jiao Y, Hou Y, Guo T,**  
4192 **Ma Z.** The effects of RFRP-3, the mammalian ortholog of GnIH, on the female pig  
4193 reproductive axis in vitro. *Mol Cell Endocrinol* 372: 65–72, 2013.
- 4194 416. **Li X, Su J, Lei Z, Zhao Y, Jin M, Fang R, Zheng L, Jiao Y.** Gonadotropin-  
4195 inhibitory hormone (GnIH) and its receptor in the female pig: CDNA cloning,  
4196 expression in tissues and expression pattern in the reproductive axis during the estrous  
4197 cycle. *Peptides* 36: 176–185, 2012.
- 4198 417. **Liao T-H, Pierce G.** The Primary of Bovine Thyrotropin. *J Biol Chem* 246: 850–865,  
4199 1971.
- 4200 418. **Libertun C, McCann SM.** The possible role of histamine in the control of prolactin  
4201 and gonadotropin release. *Neuroendocrinology* 20: 110–120, 1976.
- 4202 419. **Licht P, Gallo A, Aggarwal B, Farmer S, Castelino J, Parkoff H.** Biological and  
4203 binding activities of equine pituitary gonadotrophins and pregnant mare serum  
4204 gonadotrophin. *J Endocrinol* 83: 311–322, 1979.
- 4205 420. **Lien S, Koop BF, Sandve SR, Miller JR, Kent MP, Nome T, Hvidsten TR, Leong**  
4206 **JS, Minkley DR, Zimin A, Grammes F, Grove H, Gjuvslund A, Walenz B,**  
4207 **Hermansen RA, Von Schalburg K, Rondeau EB, Di Genova A, Samy JKA, Olav**  
4208 **Vik J, Vigeland MD, Caler L, Grimholt U, Jentoft S, Inge Våge D, De Jong P,**  
4209 **Moen T, Baranski M, Palti Y, Smith DR, Yorke JA, Nederbragt AJ, Tooming-**  
4210 **Klunderud A, Jakobsen KS, Jiang X, Fan D, Hu Y, Liberles DA, Vidal R, Iturra**

- 4211 **P, Jones SJM, Jonassen I, Maass A, Omholt SW, Davidson WS.** The Atlantic  
4212 salmon genome provides insights into rediploidization. *Nature* 533: 200–205, 2016.
- 4213 421. **Lillesaar C.** The serotonergic system in fish. *J Chem Neuroanat* 41: 294–308, 2011.
- 4214 422. **Limonta P, Marelli MM, Mai S, Motta M, Martini L, Moretti RM.** GnRH  
4215 receptors in cancer: From cell biology to novel targeted therapeutic strategies. *Endocr*  
4216 *Rev* 33: 784–811, 2012.
- 4217 423. **Lindemans M, Janssen T, Beets I, Temmerman L, Meelkop E, Schoofs L.**  
4218 Gonadotropin-releasing hormone and adipokinetic hormone signaling systems share a  
4219 common evolutionary origin. *Front Endocrinol (Lausanne)* 2: 1–6, 2011.
- 4220 424. **Lindemans M, Liu F, Janssen T, Husson S, Mertens I, Gäde G, Schoofs L.**  
4221 Adipokinetic hormone signaling through the gonadotropin-releasing hormone receptor  
4222 modulates egg-laying in *Caenorhabditis elegans*. *Proc Natl Acad Sci USA* 106: 1642–  
4223 1647, 2009.
- 4224 425. **Litichever N, Gershon E, Dekel N, Koch Y.** Hormonal regulation of GnRH and LH $\beta$   
4225 mRNA expression in cultured rat granulosa cells. *J Mol Neurosci* 39: 78–85, 2009.
- 4226 426. **Liu Q, Guan XM, Martin WJ, McDonald TP, Clements MK, Jiang Q, Zeng Z,**  
4227 **Jacobson M, Williams DL, Yu H, Bomford D, Figueroa D, Mallee J, Wang R,**  
4228 **Evans J, Gould R, Austin CP.** Identification and Characterization of Novel  
4229 Mammalian Neuropeptide FF-like Peptides that Attenuate Morphine-induced  
4230 Antinociception. *J Biol Chem* 276: 36961–36969, 2001.
- 4231 427. **Liu T, Wimalasena J, Bowen RL, Atwood CS.** Luteinizing hormone receptor  
4232 mediates neuronal pregnenolone production via up-regulation of steroidogenic acute  
4233 regulatory protein expression. *J Neurochem* 100: 1329–1339, 2007.
- 4234 428. **Liu W, Nahm H, Sweeney C, Baker H, Lamkin W, Ward D.** The amino acid  
4235 sequence of the S-aminoethylated ovine luteinizing hormone s-subunit (LH- $\alpha$ ). *Res*

- 4236 *Commun Chem Pathol Pharmacol* 2: 168–176, 1971.
- 4237 429. **Liu X, Herbison AE.** Estrous cycle- and sex-dependent changes in pre- and  
4238 postsynaptic GABAB control of GnRH neuron excitability. *Endocrinology* 152: 4856–  
4239 4864, 2011.
- 4240 430. **Liu X, Herbison AE.** Dopamine regulation of gonadotropin-releasing hormone neuron  
4241 excitability in male and female mice. *Endocrinology* 154: 340–350, 2013.
- 4242 431. **Liu Y, Zhang Y, Li S, Huang W, Liu X, Lu D, Meng Z, Lin H.** Molecular cloning  
4243 and functional characterization of the first non-mammalian 26RFa/QRFP orthologue in  
4244 Goldfish, *Carassius auratus*. *Mol Cell Endocrinol* 303: 82–90, 2009.
- 4245 432. **Löfström A, Agnati LF, Fuxe K, Hökfelt T.** Evidence for an inhibitory dopaminergic  
4246 and stimulatory noradrenergic hypothalamic influence on PMS-induced ovulation in  
4247 the immature rat. II. A pharmacological analysis. *Neuroendocrinology* 24: 289–316,  
4248 1977.
- 4249 433. **López-Sánchez JA, Maeda-Martínez AN, Croll RP, Acosta-Salmón H.** Monoamine  
4250 fluctuations during the reproductive cycle of the Pacific lion's paw scallop *Nodipecten*  
4251 *subnodosus*. *Comp Biochem Physiol - A Mol Integr Physiol* 154: 425–428, 2009.
- 4252 434. **Lorenz MW.** Adipokinetic hormone inhibits the formation of energy stores and egg  
4253 production in the cricket *Gryllus bimaculatus*. *Comp Biochem Physiol - B Biochem Mol*  
4254 *Biol* 136: 197–206, 2003.
- 4255 435. **Loumaye E, Thorner J, Catt K.** Yeast mating pheromone activates mammalian  
4256 gonadotrophs: evolutionary conservation of a reproductive hormone? *Science (80- )*  
4257 218: 1323–1325, 1982.
- 4258 436. **Lovejoy DA, Fischer WH, Parker DB, McRory JE, Park M, Lance V, Swanson P,**  
4259 **Rivier JE, Sherwood NM.** Primary structure of two forms of gonadotropin-releasing  
4260 hormone from brains of the American alligator (*Alligator mississippiensis*). *Regul Pept*

- 4261 33: 105–116, 1991.
- 4262 437. **Van Loy T, Vandersmissen HP, Van Hiel MB, Poels J, Verlinden H, Badisco L,**  
4263 **Vassart G, Vanden Broeck J.** Comparative genomics of leucine-rich repeats  
4264 containing G protein-coupled receptors and their ligands. *Gen Comp Endocrinol* 155:  
4265 14–21, 2008.
- 4266 438. **Lundin LG.** Evolution of the vertebrate genome as reflected in paralogous  
4267 chromosomal regions in man and the house mouse. *Genomics* 16: 1–19, 1993.
- 4268 439. **Lunenfeld B, Eshkol A.** Immunology of human chorionic gonadotropin (HCG). *Vitam*  
4269 *Horm* 25: 137–190, 1967.
- 4270 440. **Luque RM, Córdoba-Chacón J, Gahete MD, Navarro VM, Tena-Sempere M,**  
4271 **Kineman RD, Castaño JP.** Kisspeptin regulates gonadotroph and somatotroph  
4272 function in nonhuman primate pituitary via common and distinct signaling  
4273 mechanisms. *Endocrinology* 152: 957–966, 2011.
- 4274 441. **Ma A, Bai J, He M, Wong AOL.** Spexin as a neuroendocrine signal with emerging  
4275 functions. *Gen Comp Endocrinol* 265: 90–96, 2018.
- 4276 442. **Ma X, Dong Y, Matzuk M, Kumar T.** Targeted disruption of luteinizing hormone  
4277 beta-subunit leads to hypogonadism, defects in gonadal steroidogenesis, and infertility.  
4278 *Proc Natl Acad Sci USA* 101: 17294–17299, 2004.
- 4279 443. **Macdonald LE, Wortley KE, Gowen LC, Anderson KD, Murray JD, Poueymirou**  
4280 **WT, Simmons M V., Barber D, Valenzuela DM, Economides AN, Wiegand SJ,**  
4281 **Yancopoulos GD, Sleeman MW, Murphy AJ.** Resistance to diet-induced obesity in  
4282 mice globally overexpressing OGH/GPB5. *Proc Natl Acad Sci* 102: 2496–2501, 2005.
- 4283 444. **MacKenzie FJ, Hunter AJ, Daly C, Wilson CA.** Evidence that the dopaminergic  
4284 incerto-hypothalamic tract has a stimulatory effect on ovulation and gonadotrophin  
4285 release. *Neuroendocrinology* 39: 289–295, 1984.

- 4286 445. **MacLeod RM, Fontham EH, Lehmeyer JE.** Prolactin and growth hormone  
4287 production as influenced by catecholamines and agents that affect brain  
4288 catecholamines. *Neuroendocrinology* 6: 283–294, 1970.
- 4289 446. **Maddineni S, Ocón-grove OM, Krzysik-Walker SM, Hendricks GL, Proudman**  
4290 **JA, Ramachandran R.** Gonadotrophin-Inhibitory hormone receptor expression in the  
4291 chicken pituitary gland: Potential influence of sexual maturation and ovarian steroids. *J*  
4292 *Neuroendocrinol* 20: 1078–1088, 2008.
- 4293 447. **Madigou T, Mañanos-Sanchez E, Hulshof S, Anglade I, Zanuy S, Kah O.** Cloning,  
4294 tissue distribution, and central expression of the gonadotropin-releasing hormone  
4295 receptor in the rainbow trout (*Oncorhynchus mykiss*). *Biol Reprod* 63: 1857–1866,  
4296 2000.
- 4297 448. **Magre S, Jost A.** Sertoli cells and testicular differentiation in the rat fetus. *J Electron*  
4298 *Microsc Tech* 19: 172–188, 1991.
- 4299 449. **Maiti K, Li JH, Wang AF, Acharjee S, Kim WP, Im W, Kwon HB, Seong JY.**  
4300 GnRH-II analogs for selective activation and inhibition of Non-Mammalian and Type-  
4301 II Mammalian GnRH Receptors. 16: 173–179, 2003.
- 4302 450. **Maiti K, Oh DY, Moon J, Acharjee S, Li J, Bai D, Park H, Lee K, Lee Y, Jung N,**  
4303 **Kim K, Vaudry H, Kwon H, Seong J.** Differential effects of gonadotropin-releasing  
4304 hormone (GnRH)-I and GnRH-II on prostate cancer cell signaling and death. *J Clin*  
4305 *Endocrinol Metab* 90: 4287–4298, 2005.
- 4306 451. **Mañanos EL, Anglade I, Chyb J, Saligaut C, Breton B, Kah O.** Involvement of  
4307 gamma-aminobutyric acid in the control of GTH-1 and GTH-2 secretion in male and  
4308 female rainbow trout. *Neuroendocrinology* 69: 269–280, 1999.
- 4309 452. **Manfredi-Lozano M, Roa J, Tena-Sempere M.** Connecting metabolism and gonadal  
4310 function: Novel central neuropeptide pathways involved in the metabolic control of

- 4311 puberty and fertility. *Front Neuroendocrinol* 48: 37–49, 2018.
- 4312 453. **Mansour A, Meador-Woodruff JH, Bunzow JR, Civelli O, Akil H, Watson SJ.**  
4313 Localization of dopamine D2 receptor mRNA and D1 and D2 receptor binding in the  
4314 rat brain and pituitary: an in situ hybridization-receptor autoradiographic analysis. *J*  
4315 *Neurosci Off J Soc Neurosci* 10: 2587–2600, 1990.
- 4316 454. **Mapanao R, Cheng W.** Cloning and characterization of tyrosine hydroxylase (TH)  
4317 from the pacific white leg shrimp *Litopenaeus vannamei*, and its expression following  
4318 pathogen challenge and hypothermal stress. *Fish Shellfish Immunol* 56: 506–516, 2016.
- 4319 455. **Marchant T, Chang J, Nahorniak C, Peter R.** Evidence that gonadotropin-releasing  
4320 hormone also functions as a growth hormone-releasing factor in the goldfish.  
4321 *Endocrinology* 124: 2509–2518, 1989.
- 4322 456. **Marco HG, Verlinden H, Vanden Broeck J, Gäde G.** Characterisation and  
4323 pharmacological analysis of a crustacean G protein-coupled receptor: The red pigment-  
4324 concentrating hormone receptor of *Daphnia pulex*. *Sci Rep* 7: 1–12, 2017.
- 4325 457. **Markó M, Flückiger E.** Role of serotonin in the regulation of ovulation. Evidence  
4326 from pharmacological studies. *Neuroendocrinology* 30: 228–231, 1980.
- 4327 458. **Martyniuk CJ, Aris-Brosou S, Drouin G, Cahn J, Trudeau VL.** Early evolution of  
4328 ionotropic GABA receptors and selective regimes acting on the mammalian-specific  
4329 theta and epsilon subunits. *PLoS One* 2, 2007.
- 4330 459. **Martyniuk CJ, Chang JP, Trudeau VL.** The effects of GABA agonists on glutamic  
4331 acid decarboxylase, GABA-transaminase, activin, salmon gonadotrophin-releasing  
4332 hormone and tyrosine hydroxylase mRNA in the goldfish (*Carassius auratus*)  
4333 neuroendocrine brain. *J Neuroendocrinol* 19: 390–396, 2007.
- 4334 460. **Maston GA, Ruvolo M.** Chorionic gonadotropin has a recent origin within primates  
4335 and an evolutionary history of selection. *Mol Biol Evol* 19: 320–335, 2002.

- 4336 461. **Matsuda K, Nakamura K, Shimakura SI, Miura T, Kageyama H, Uchiyama M,**  
4337 **Shioda S, Ando H.** Inhibitory effect of chicken gonadotropin-releasing hormone II on  
4338 food intake in the goldfish, *Carassius auratus*. *Horm Behav* 54: 83–89, 2008.
- 4339 462. **Matsuda S, Matsuzawa D, Ishii D, Tomizawa H, Sutoh C, Nakazawa K, Amano**  
4340 **K, Sajiki J, Shimizu E.** Effects of perinatal exposure to low dose of bisphenol A on  
4341 anxiety like behavior and dopamine metabolites in brain. *Prog Neuropsychopharmacol*  
4342 *Biol Psychiatry* 39: 273–279, 2012.
- 4343 463. **Matsuda S, Saika S, Amano K, Shimizu E, Sajiki J.** Changes in brain monoamine  
4344 levels in neonatal rats exposed to bisphenol A at low doses. *Chemosphere* 78: 894–906,  
4345 2010.
- 4346 464. **Matsui H, Takatsu Y, Kumano S, Matsumoto H, Ohtaki T.** Peripheral  
4347 administration of metastin induces marked gonadotropin release and ovulation in the  
4348 rat. *Biochem Biophys Res Commun* 320: 383–388, 2004.
- 4349 465. **Matsuo H, Baba Y, Nair RMG, Arimura A, Schally A V.** Structure of the porcine  
4350 LH- and FSH-releasing hormone. I. The proposed amino acid sequence. *Biochem*  
4351 *Biophys Res Commun* 43: 1334–1339, 1971.
- 4352 466. **Matsutani T, Nomura T.** Induction of spawning by serotonin in the scallop,  
4353 *Patinopecten yessoensis* (Jay). *Mar Biol Lett* 3: 353–358, 1982.
- 4354 467. **Maugars G, Dufour S, Cohen-Tannoudji JL, Quérat B.** Multiple thyrotropin b-  
4355 subunit and thyrotropin receptor-related genes arose during vertebrate evolution. *PLoS*  
4356 *One* 9, 2014.
- 4357 468. **Maugars G, Dufour S, Vaudry H.** Demonstration of the coexistence of duplicated LH  
4358 receptors in teleosts, and their origin in ancestral actinopterygians. *PLoS One* 10: 1–29,  
4359 2015.
- 4360 469. **Mayer C, Boehm U.** Female reproductive maturation in the absence of

- 4361 kisspeptin/GPR54 signaling. *Nat Neurosci* 14: 704–710, 2011.
- 4362 470. **Mayer RJ, Candy DJ.** Changes in energy reserves during flight of the desert locust,  
4363 *schistocerca gregaria*. *Comp Biochem Physiol* 31: 409–418, 1969.
- 4364 471. **McCarthy MM.** Frank A. Beach Award. Functional significance of steroid modulation  
4365 of GABAergic neurotransmission: analysis at the behavioral, cellular, and molecular  
4366 levels. *Horm Behav* 29: 131–140, 1995.
- 4367 472. **McConn B, Wang G, Yi J, Gilbert ER, Osugi T, Ubuka T, Tsutsui K, Chowdhury**  
4368 **VS, Furuse M, Cline MA.** Gonadotropin-inhibitory hormone-stimulation of food  
4369 intake is mediated by hypothalamic effects in chicks. *Neuropeptides* 48: 327–334,  
4370 2014.
- 4371 473. **Mcdonald J k.** Role of Neuropeptide Y in Reproductive Function. *Ann N Y Acad Sci*  
4372 611: 258–272, 1990.
- 4373 474. **McGee E, Hsueh AJW.** Initial and Cyclic Recruitment of Ovarian Follicles. *Endocr*  
4374 *Rev* 21(2) 200–214 21: 200–214, 2000.
- 4375 475. **McGuire NL, Bentley GE.** Neuropeptides in the gonads: From evolution to  
4376 pharmacology. *Front Pharmacol* SEP: 1–13, 2010.
- 4377 476. **McGuire NL, Bentley GE.** A functional neuropeptide system in vertebrate gonads:  
4378 Gonadotropin-inhibitory hormone and its receptor in testes of field-caught house  
4379 sparrow (*Passer domesticus*). *Gen Comp Endocrinol* 166: 565–572, 2010.
- 4380 477. **Meccariello R, Chianese R, Chioccarelli T, Ciaramella V, Fasano S, Pierantoni R,**  
4381 **Cobellis G.** Intra-testicular signals regulate germ cell progression and production of  
4382 qualitatively mature spermatozoa in vertebrates. *Front Endocrinol (Lausanne)* 5: 1–11,  
4383 2014.
- 4384 478. **Mechenthaler I.** Galanin and the neuroendocrine axes. *Cell Mol Life Sci* 65: 1826–  
4385 1835, 2008.



- 4386 479. **Mei H, Doran J, Kyle V, Yeo SH, Colledge WH.** Does kisspeptin signaling have a  
4387 role in the testes? *Front Endocrinol (Lausanne)* 4: 1–7, 2013.
- 4388 480. **Mellon PL, Windle I, Goldsmith PC, Padula CA, Roberts JL, Weiner RI.**  
4389 Immortalization of hypothalamic GnRH neurons by genetically targeted tumorigenesis.  
4390 *Neuron* 5: 1–10, 2010.
- 4391 481. **Mennigen JA, Stroud P, Zamora JM, Moon TW, Trudeau VL.** Pharmaceuticals as  
4392 neuroendocrine disruptors: lessons learned from fish on Prozac. *J Toxicol Environ*  
4393 *Health B Crit Rev* 14: 387–412, 2011.
- 4394 482. **Menzies BR, Pask AJ, Renfree MB.** Placental expression of pituitary hormones is an  
4395 ancestral feature of therian mammals. *Evodevo* 2: 16, 2011.
- 4396 483. **Messenger S, Chatzidaki EE, Ma D, Hendrick AG, Zahn D, Dixon J, Thresher RR,**  
4397 **Malinge I, Lomet D, Carlton MBL, Colledge WH, Caraty A, Aparicio SAJR.**  
4398 Kisspeptin directly stimulates gonadotropin-releasing hormone release via G protein-  
4399 coupled receptor 54. *Proc Natl Acad Sci* 102: 1761–1766, 2005.
- 4400 484. **Meyer A, Scharf M.** Gene and genome duplications in vertebrates: The one-to-four (-  
4401 to-eight in fish) rule and the evolution of novel gene functions. *Curr Opin Cell Biol* 11:  
4402 699–704, 1999.
- 4403 485. **Midgley A, Pierce G.** Immunohistochemical localization of human chorionic  
4404 gonadotropin. *J Exp Med* 115: 289–294, 1962.
- 4405 486. **Millam JR, Burke WH, El Halawani ME.** Release of gonadotropin-releasing  
4406 hormone from the Japanese quail hypothalamus in vitro. *Gen Comp Endocrinol* 53:  
4407 293–301, 1984.
- 4408 487. **Millar R, Conklin D, Lofton-Day C, Hutchinson E, Troskie B, Illing N, Sealfon S,**  
4409 **Hapgood J.** A novel human GnRH receptor homolog gene: abundant and wide tissue  
4410 distribution of the antisense transcript. *J Endocrinol* 162: 117–126, 1999.

- 4411 488. **Millar R, Lowe S, Conklin D, Pawson a, Maudsley S, Troskie B, Ott T, Millar M,**  
4412 **Lincoln G, Sellar R, Faurholm B, Scobie G, Kuestner R, Terasawa E, Katz a.** A  
4413 novel mammalian receptor for the evolutionarily conserved type II GnRH. *Proc Natl*  
4414 *Acad Sci U S A* 98: 9636–41, 2001.
- 4415 489. **Millar RP.** GnRH II and type II GnRH receptors. *Trends Endocrinol Metab* 14: 35–43,  
4416 2003.
- 4417 490. **Millar RP, Lu Z, Pawson AJ, Flanagan CA, Morgan K, Maudsley SR, Human C,**  
4418 **Sciences R.** Gonadotropin-Releasing Hormone Receptors. *Endocr Rev* 25: 235–275,  
4419 2004.
- 4420 491. **Millar RP, Pawson AJ, Morgan K, Rissman EF, Lu ZL.** Diversity of actions of  
4421 GnRHs mediated by ligand-induced selective signaling. *Front Neuroendocrinol* 29:  
4422 17–35, 2008.
- 4423 492. **Mirabeau O, Joly J-S.** Molecular evolution of peptidergic signaling systems in  
4424 bilaterians. *Proc Natl Acad Sci* 110: E2028–E2037, 2013.
- 4425 493. **Mirabeau O, Perlas E, Severini C, Audero E, Gascuel O, Possenti R, Birney E,**  
4426 **Rosenthal N, Gross C.** Identification of novel peptide hormones in the human  
4427 proteome by hidden Markov model screening. *Genome Res* 17: 320–327, 2007.
- 4428 494. **Missale C, Nash SR, Robinson SW, Jaber M, Caron MG.** Dopamine receptors:  
4429 from structure to function. *Physiol Rev* 78: 189–225, 1998.
- 4430 495. **Mitsushima D, Hei DL, Terasawa E.** gamma-Aminobutyric acid is an inhibitory  
4431 neurotransmitter restricting the release of luteinizing hormone-releasing hormone  
4432 before the onset of puberty. *Proc Natl Acad Sci U S A* 91: 395–399, 1994.
- 4433 496. **Mittelholzer C, Andersson E, Taranger GL, Karlson Ø, Norberg B.** Quantification  
4434 of gonadotropin subunits GP $\alpha$ , FSH $\beta$ , and LH $\beta$  mRNA expression from Atlantic cod  
4435 (*Gadus morhua*) throughout a reproductive cycle. *Comp Biochem Physiol - B Biochem*

- 4436 *Mol Biol* 153: 288–295, 2009.
- 4437 497. **Miyake A, Ohtsuka S, Nishizaki T, Tasaka K, Aono T, Tanizawa O, Yamatodani**  
4438 **A, Watanabe T, Wada H.** Involvement of H1 histamine receptor in basal and  
4439 estrogen-stimulated luteinizing hormone-releasing hormone secretion in rats in vitro.  
4440 *Neuroendocrinology* 45: 191–196, 1987.
- 4441 498. **Miyamoto K, Hasegawa Y, Igarashi M, Chino N, Sakakibara S, Kangawa K,**  
4442 **Matsuo H.** Evidence that chicken hypothalamic luteinizing hormone-releasing  
4443 hormone is [GIn8]-LH-RH. *Life Sci* 32: 1341–1347, 1983.
- 4444 499. **Miyamoto K, Hasegawa Y, Minegishi T, Nomura M, Takahashi Y, Igarashi M.**  
4445 Isolation and characterization of chicken hypothalamic luteinizing hormone-releasing  
4446 hormone. *Biochem Biophys Res Commun* 107: 820–827, 1982.
- 4447 500. **Miyamoto K, Hasegawa Y, Nomura M, Igarashi M, Kangawa K, Matsuo H.**  
4448 Identification of the second gonadotropin-releasing hormone in chicken hypothalamus:  
4449 evidence that gonadotropin secretion is probably controlled by two distinct  
4450 gonadotropin-releasing hormones in avian species. *Proc Natl Acad Sci* 81: 3874–3878,  
4451 1984.
- 4452 501. **Moguilevsky JA, Faigón MR, Scacchi P, Szwarcfarb B.** Role of sexual  
4453 differentiation of the hypothalamus in the differential effect of the serotonergic  
4454 system on LH in prepubertal male and female rats. *Neuroendocrinology* 45: 274–277,  
4455 1987.
- 4456 502. **Mohamed J, Khan I.** Molecular cloning and differential expression of three GnRH  
4457 mRNAs in discrete brain areas and lymphocytes in red drum. *J Endocrinol* 188: 407–  
4458 416, 2006.
- 4459 503. **Moncaut N, Somoza G, Power D, Canário A.** Five gonadotrophin-releasing hormone  
4460 receptors in a teleost fish: isolation, tissue distribution and phylogenetic relationships. *J*

- 4461 *Mol Endocrinol* 34: 767–779, 2005.
- 4462 504. **Mordue A, Blackwell A.** Azadirachtin: An update. *J Insect Physiol* 39: 903–924,  
4463 1993.
- 4464 505. **Moret F, Guillard JC, Coudouel S, Rochette L, Vernier P.** Distribution of Tyrosine  
4465 Hydroxylase, Dopamine, and Serotonin in the Central Nervous System of *Amphioxus*  
4466 (*Branchiostoma lanceolatum*): Implications for the Evolution of Catecholamine  
4467 Systems in Vertebrates. *J Comp Neurol* 468: 135–150, 2004.
- 4468 506. **Morgan K, Millar RP.** Evolution of GnRH ligand precursors and GnRH receptors in  
4469 protochordate and vertebrate species. *Gen Comp Endocrinol* 139: 191–197, 2004.
- 4470 507. **Morgan K, Sellar R, Pawson AJ, Lu ZL, Millar RP.** Bovine and ovine  
4471 gonadotropin-releasing hormone (GnRH)-II ligand precursors and type II GnRH  
4472 receptor genes are functionally inactivated. *Endocrinology* 147: 5041–5051, 2006.
- 4473 508. **Moriyama S, Toshihiro ITO, Takahashi A, Amano M, Sower SA, Hirano T,**  
4474 **Yamamori K, Kawauchi H.** A homolog of mammalian PRL-releasing peptide (fish  
4475 arginyl-phenylalanyl-amide peptide) is a major hypothalamic peptide of prl release in  
4476 teleost fish. *Endocrinology* 143: 2071–2079, 2002.
- 4477 509. **Moshitzky P, Applebaum SW.** The role of adipokinetic hormone in the control of  
4478 vitellogenesis in locusts. *Insect Biochem* 20: 319–323, 1990.
- 4479 510. **Moussavi M, Wlasichuk M, Chang JP, Habibi HR.** Seasonal effect of GnIH on  
4480 gonadotrope functions in the pituitary of goldfish. *Mol Cell Endocrinol* 350: 53–60,  
4481 2012.
- 4482 511. **Moussavi M, Wlasichuk M, Chang JP, Habibi HR.** Seasonal Effect of  
4483 Gonadotrophin Inhibitory Hormone on Gonadotrophin-Releasing Hormone-induced  
4484 Gonadotroph Functions in the Goldfish Pituitary. *J Neuroendocrinol* 25: 506–516,  
4485 2013.

- 4486 512. **Moy E, Kimzey L, Nelson L, Blithe L.** Glycoprotein hormone alpha-subunit functions  
4487 synergistically with progesterone to stimulate differentiation of cultured human  
4488 endometrial stromal cells to decidualized cells: a novel role for free alpha-subunit in  
4489 reproduction. *Endocrinology* 1137: 1332–1339, 1996.
- 4490 513. **Muir AI, Chamberlain L, Elshourbagy NA, Michalovich D, Moore DJ, Calamari**  
4491 **A, Szekeres PG, Sarau HM, Chambers JK, Murdock P, Steplewski K, Shabon U,**  
4492 **Miller JE, Middleton SE, Darker JG, Larminie CGC, Wilson S, Bergsma DJ,**  
4493 **Emson P, Faull R, Philpott KL, Harrison DC.** AXOR12, a Novel Human G Protein-  
4494 coupled Receptor, Activated by the Peptide KiSS-1. *J Biol Chem* 276: 28969–28975,  
4495 2001.
- 4496 514. **Müller T, Simoni M, Pekel E, Luetjens C, Chandolia R, Amato F, Norman R,**  
4497 **Gromoll J.** Chorionic gonadotrophin beta subunit mRNA but not luteinising hormone  
4498 beta subunit mRNA is expressed in the pituitary of the common marmoset (*Callithrix*  
4499 *jacchus*). *J Mol Endocrinol* 32: 115–128, 2004.
- 4500 515. **Munaro NI.** The effect of ovarian steroids on hypothalamic 5-hydroxytryptamine  
4501 neuronal activity. *Neuroendocrinology* 26: 270–276, 1978.
- 4502 516. **Muñoz-Cueto JA, Paullada-Salmerón JA, Aliaga-Guerrero M, Cowan ME,**  
4503 **Parhar IS, Ubuka T.** A journey through the gonadotropin-inhibitory hormone system  
4504 of fish. *Front Endocrinol (Lausanne)* 8: 1–18, 2017.
- 4505 517. **Murakami M, Matsuzaki T, Iwasa T, Yasui T, Irahara M, Osugi T, Tsutsui K.**  
4506 Hypophysiotropic role of RFamide-related peptide-3 in the inhibition of LH secretion  
4507 in female rats. *J Endocrinol* 199: 105–112, 2008.
- 4508 518. **Murata R, Kobayashi Y, Karimata H, Kishimoto K, Kimura M, Shimizu A,**  
4509 **Nakamura M.** The role of pituitary gonadotropins in gonadal sex differentiation in the  
4510 protogynous Malabar grouper, *Epinephelus malabaricus*. *Gen Comp Endocrinol* 178:

- 4511 587–592, 2012.
- 4512 519. **Muroi Y, Ishii T.** A novel neuropeptide Y neuronal pathway linking energy state and  
4513 reproductive behavior. *Neuropeptides* 59: 1–8, 2016.
- 4514 520. **Nagasaki H, Wang Z, Jackson V, Lin S, Nothacker H, Civelli O.** Differential  
4515 expression of the thyrostimulin subunits, glycoprotein alpha2 and beta5 in the rat  
4516 pituitary. *J Mol Endocrinol* 37: 39–50, 2006.
- 4517 521. **Nagatsu T.** The human tyrosine hydroxylase gene. *Cell Mol Neurobiol* 9: 313–321,  
4518 1989.
- 4519 522. **Nagirnaja L, Rull K, Uusküla L, Hallast P, Grigorova M, Laan M.** Genomics and  
4520 genetics of gonadotropin beta-subunit genes: Unique FSHB and duplicated LHB/CGB  
4521 loci. *Mol Cell Endocrinol* 329: 4–16, 2010.
- 4522 523. **Nakabayashi K, Matsumi H, Bhalla A, Bae J, Mosselman S, Hsu S, Hsueh A.**  
4523 Thyrostimulin, a heterodimer of two new human glycoprotein hormone subunits,  
4524 activates the thyroid-stimulating hormone receptor. *EThe J Clin Investig* 109: 1445–  
4525 1452, 2002.
- 4526 524. **Nakajo M, Kanda S, Karigo T, Takahashi A, Akazome Y, Uenoyama Y,**  
4527 **Kobayashi M, Oka Y.** Evolutionally conserved function of kisspeptin neuronal system  
4528 is nonreproductive regulation as revealed by nonmammalian study. *Endocrinology*  
4529 159: 163–183, 2018.
- 4530 525. **Naor Z, Huhtaniemi I.** Interactions of the GnRH receptor with heterotrimeric G  
4531 proteins. *Front Neuroendocrinol* 34: 88–94, 2013.
- 4532 526. **Navarro VM, Castellano JM, Fernández-Fernández R, Tovar S, Roa J, Mayen A,**  
4533 **Barreiro ML, Casanueva FF, Aguilar E, Dieguez C, Pinilla L, Tena-Sempere M.**  
4534 Effects of KiSS-1 peptide, the natural ligand of GPR54, on follicle-stimulating  
4535 hormone secretion in the rat. *Endocrinology* 146: 1689–1697, 2005.

- 4536 527. **Navarro VM, Castellano JM, Fernández-Fernández R, Tovar S, Roa J, Mayen A,**  
4537 **Nogueiras R, Vazquez MJ, Barreiro ML, Magni P, Aguilar E, Dieguez C, Pinilla**  
4538 **L, Tena-Sempere M.** Characterization of the potent luteinizing hormone-releasing  
4539 activity of KiSS-1 peptide, the natural ligand of GPR54. *Endocrinology* 146: 156–163,  
4540 2005.
- 4541 528. **Navarro VM, Fernández-Fernández R, Nogueiras R, Vigo E, Tovar S, Chartrel N,**  
4542 **Le Marec O, Leprince J, Aguilar E, Pinilla L, Dieguez C, Vaudry H, Tena-**  
4543 **Sempere M.** Novel role of 26RFa, a hypothalamic RFamide orexigenic peptide, as  
4544 putative regulator of the gonadotropic axis. *J Physiol* 573: 237–249, 2006.
- 4545 529. **Neckameyer WS, Holt B, Paradowski TJ.** Biochemical conservation of recombinant  
4546 *Drosophila* tyrosine hydroxylase with its mammalian cognates. *Biochem Genet* 43:  
4547 425–443, 2005.
- 4548 530. **Neill JD, Duck LW, Sellers JC, Musgrove LC.** A gonadotropin-releasing hormone  
4549 (GnRH) receptor specific for GnRH II in primates. *Biochem Biophys Res Commun*  
4550 282: 1012–1018, 2001.
- 4551 531. **Neuman-Lee L, Grieves T, Hopkins GR, French SS.** The role of the kisspeptin  
4552 system in regulation of the reproductive endocrine axis and territorial behavior in male  
4553 side-blotched lizards (*Uta stansburiana*). *Horm Behav* 89: 48–54, 2017.
- 4554 532. **Neves SR, Ram PT, Iyengar R.** G protein pathways. *Science* 296: 1636–1639, 2002.
- 4555 533. **Ni Y, Huang Y, Xiao Y, Wu J, Qian F, Grossmann R, Zhao R.** Effects of repeated  
4556 injection of kisspeptin-10 on the initiation of egg-laying in juvenile quail. *Anim Reprod*  
4557 *Sci* 134: 203–209, 2012.
- 4558 534. **Ninomiya Y, Hayakawa Y.** Insect cytokine, growth-blocking peptide, is a primary  
4559 regulator of melanin-synthesis enzymes in armyworm larval cuticle. *FEBS J* 274:  
4560 1768–1777, 2007.

- 4561 535. **Nocillado JN, Zohar Y, Biran J, Levavi-Sivan B, Elizur A.** Chronic kisspeptin  
4562 administration stimulated gonadal development in pre-pubertal male yellowtail  
4563 kingfish (*Seriola lalandi*; Perciformes) during the breeding and non-breeding season.  
4564 *Gen Comp Endocrinol* 191: 168–176, 2013.
- 4565 536. **Nock TG, Chand D, Lovejoy DA.** Identification of members of the gonadotropin-  
4566 releasing hormone (GnRH), corticotropin-releasing factor (CRF) families in the  
4567 genome of the holocephalan, *Callorhinchus milii* (elephant shark). *Gen Comp*  
4568 *Endocrinol* 171: 237–244, 2011.
- 4569 537. **Noguchi H, Hayakawa Y.** Role of dopamine at the onset of pupal diapause in the  
4570 cabbage armyworm *Mamestra brassicae*. *FEBS Lett* 413: 157–161, 1997.
- 4571 538. **Noguchi H, Hayakawa Y.** Dopamine is a key factor for the induction of egg diapause  
4572 of the silkworm, *Bombyx mori*. *Eur J Biochem* 268: 774–780, 2001.
- 4573 539. **Norton WHJ, Folchert A, Bally-Cuif L.** Comparative analysis of serotonin receptor  
4574 (HTR1A/HTR1B families) and transporter (*slc6a4a/b*) gene expression in the zebrafish  
4575 brain. *J Comp Neurol* 511: 521–542, 2008.
- 4576 540. **Novaira HJ, Ng Y, Wolfe A, Radovick S.** Kisspeptin increases GnRH mRNA  
4577 expression and secretion in GnRH secreting neuronal cell lines. *Mol Cell Endocrinol*  
4578 311: 126–134, 2009.
- 4579 541. **Nozaki M.** Hypothalamic-pituitary-gonadal endocrine system in the hagfish. *Front*  
4580 *Endocrinol (Lausanne)* 4: 1–8, 2013.
- 4581 542. **Ogawa S, Akiyama G, Kato S, Soga T, Sakuma Y, Parhar IS.**  
4582 Immunoneutralization of gonadotropin-releasing hormone type-III suppresses male  
4583 reproductive behavior of cichlids. *Neurosci Lett* 403: 201–205, 2006.
- 4584 543. **Ogawa S, Parhar IS.** Structural and functional divergence of gonadotropin-inhibitory  
4585 hormone from jawless fish to mammals. *Front Endocrinol (Lausanne)* 5: 1–17, 2014.



- 4586 544. **Oguchi A, Tanaka S, Yamamoto K, Kikuyama S.** Release of  $\alpha$ -subunit of  
4587 glycoprotein hormones from the bullfrog pituitary: Possible effect of  $\alpha$ -subunit on  
4588 prolactin cell function. *Gen Comp Endocrinol* 102: 141–146, 1996.
- 4589 545. **Ohga H, Adachi H, Kitano H, Yamaguchi A, Matsuyama M.** Kiss1  
4590 hexadecapeptide directly regulates gonadotropin-releasing hormone 1 in the scombroid  
4591 fish, chub mackerel. *Biol Reprod* 96: 376–388, 2017.
- 4592 546. **Ohga H, Selvaraj S, Adachi H, Imanaga Y, Nyuji M, Yamaguchi A, Matsuyama**  
4593 **M.** Functional analysis of kisspeptin peptides in adult immature chub mackerel  
4594 (*Scomber japonicus*) using an intracerebroventricular administration method. *Neurosci*  
4595 *Lett* 561: 203–207, 2014.
- 4596 547. **Ohga H, Selvaraj S, Matsuyama M.** The roles of kisspeptin system in the  
4597 reproductive physiology of fish with special reference to chub mackerel studies as main  
4598 axis. *Front Endocrinol (Lausanne)* 9: 1–15, 2018.
- 4599 548. **Ohno S, Wolf U, Atkin NB.** Evolution from fish to mammals by gene duplication.  
4600 *Hereditas* 59: 169–187, 1968.
- 4601 549. **Ohtaki T, Shintani Y, Honda S, Matsumoto H, Hori A, Kanehashi K, Terao Y,**  
4602 **Kumano S, Takatsu Y, Masuda Y, Ishibashi Y, Watanabe T, Asada M, Yamada**  
4603 **T, Suenaga M, Kitada C, Usuki S, Kurokawa T, Onda H, Nishimura O, Fujino M.**  
4604 Metastasis suppressor gene KiSS-1 encodes peptide ligand of a G-protein-coupled  
4605 receptor. *Nature* 411: 613–617, 2001.
- 4606 550. **Oishi H, Klausen C, Bentley GE, Osugi T, Tsutsui K, Gilks CB, Yano T, Leung**  
4607 **PCK.** The human gonadotropin-inhibitory hormone ortholog RFamide-related peptide-  
4608 3 suppresses gonadotropin-induced progesterone production in human granulosa cells.  
4609 *Endocrinology* 153: 3435–3445, 2012.
- 4610 551. **Oishi S, Misu R, Tomita K, Setsuda S, Masuda R, Ohno H, Naniwa Y, Ieda N,**

- 4611 **Inoue N, Ohkura S, Uenoyama Y, Tsukamura H, Maeda KI, Hirasawa A,**  
4612 **Tsujimoto G, Fujii N.** Activation of neuropeptide FF receptors by kisspeptin receptor  
4613 ligands. *ACS Med Chem Lett* 2: 53–57, 2011.
- 4614 552. **Okada SL, Ellsworth JL, Durnam DM, Haugen HS, Holloway JL, Kelley ML,**  
4615 **Lewis KE, Ren H, Sheppard PO, Storey HM, Waggle KS, Wolf AC, Yao LY,**  
4616 **Webster PJ.** A Glycoprotein Hormone Expressed in Corticotrophs Exhibits Unique  
4617 Binding Properties on Thyroid-Stimulating Hormone Receptor. *Mol Endocrinol* 20:  
4618 414–425, 2006.
- 4619 553. **Okada T, Kawazoe I, Kimura S, Sasamoto Y, Aida K, Kawauchi H.** Purification  
4620 and characterization of gonadotropin I and II from pituitary glands of tuna (*Thunnus*  
4621 *obesus*). *Int J Pept Protein Res* 43: 69–80, 1994.
- 4622 554. **Okada Y.** Evidence that Gonadotropin-Releasing Hormone (GnRH) II Stimulates  
4623 Luteinizing Hormone and Follicle-Stimulating Hormone Secretion from Monkey  
4624 Pituitary Cultures by Activating the GnRH I Receptor. *Biol Reprod* 69: 1356–1361,  
4625 2003.
- 4626 555. **Okubo K, Mitani H, Naruse K, Kondo M, Shima A, Tanaka M, Asakawa S,**  
4627 **Shimizu N, Yoshiura Y, Aida K.** Structural characterization of GnRH loci in the  
4628 medaka genome. *Gene* 293: 181–189, 2002.
- 4629 556. **Okubo K, Nagahama Y.** Structural and functional evolution of gonadotropin-  
4630 releasing hormone in vertebrates. *Acta Physiol* 193: 3–15, 2008.
- 4631 557. **Okubo K, Sakai F, En LL, Yoshizaki G, Takeuchi Y, Naruse K, Aida K,**  
4632 **Nagahama Y.** Forebrain gonadotropin-releasing hormone neuronal development:  
4633 Insights from transgenic medaka and the relevance to X-linked Kallmann syndrome.  
4634 *Endocrinology* 147: 1076–1084, 2006.
- 4635 558. **Okubo K, Suetake H, Aida K.** Expression of two gonadotropin-releasing hormone

- 4636 (GnRH) precursor genes in various tissues of the Japanese eel and evolution of GnRH.  
4637 *Zoolog Sci* 16: 471–478, 1999.
- 4638 559. **Okuyama T, Yokoi S, Abe H, Isoe Y, Suehiro Y, Imada H, Tanaka M, Kawasaki**  
4639 **T, Yuba S, Taniguchi Y, Kamei Y, Okubo K, Shimada A, Naruse K, Takeda H,**  
4640 **Oka, Y Kubo T, H. Takeuchi.** A Neural Mechanism Underlying Mating Preferences  
4641 for Familiar Individuals in Medaka Fish. *Science (80- )* 343: 91–94, 2014.
- 4642 560. **Ondo JG.** Gamma-aminobutyric acid effects on pituitary gonadotropin secretion.  
4643 *Science* 186: 738–739, 1974.
- 4644 561. **Onuma TA, Duan C.** Duplicated Kiss1 receptor genes in zebrafish: distinct gene  
4645 expression patterns, different ligand selectivity, and a novel nuclear isoform with  
4646 transactivating activity. *FASEB J* 26: 2941–2950, 2012.
- 4647 562. **Opazo JC, Zavala K, Miranda-Rottmann S, Araya R.** Evolution of dopamine  
4648 receptors: phylogenetic evidence suggests a later origin of the DRD2l and DRD4rs  
4649 dopamine receptor gene lineages. *PeerJ* 6: e4593, 2018.
- 4650 563. **Osugi T, Daukss D, Gazda K, Ubuka T, Kosugi T, Nozaki M, Sower SA, Tsutsui**  
4651 **K.** Evolutionary origin of the structure and function of gonadotropin- inhibitory  
4652 hormone: Insights from lampreys. *Endocrinology* 153: 2362–2374, 2012.
- 4653 564. **Osugi T, Ohtaki N, Sunakawa Y, Son YL, Ohkubo M, Iigo M, Amano M, Tsutsui**  
4654 **K.** Molecular evolution of Kiss2 genes and peptides in vertebrates. *Endocrinology* 154:  
4655 4270–4280, 2013.
- 4656 565. **Osugi T, Okamura T, Son YL, Ohkubo M, Ubuka T, Henmi Y, Tsutsui K.**  
4657 Evolutionary origin of GnIH and NPF in chordates: Insights from novel amphioxus  
4658 RFamide peptides. *PLoS One* 9: 1–11, 2014.
- 4659 566. **Osugi T, Ubuka T, Tsutsui K.** Review: Evolution of GnIH and related peptides  
4660 structure and function in the chordates. *Front Neurosci* 8: 1–11, 2014.

- 4661 567. **Osugi T, Ubuka T, Tsutsui K.** An Evolutionary Scenario for Gonadotrophin-  
4662 Inhibitory Hormone in Chordates. *J Neuroendocrinol* 27: 556–566, 2015.
- 4663 568. **Osugi T, Uchida K, Nozaki M, Tsutsui K.** Characterization of novel RFamide  
4664 peptides in the central nervous system of the brown hagfish: Isolation, localization, and  
4665 functional analysis. *Endocrinology* 152: 4252–4264, 2011.
- 4666 569. **Osugi T, Ukena K, Bentley GE, O'Brien S, Moore IT, Wingfield JC, Tsutsui K.**  
4667 Gonadotropin-inhibitory hormone in Gambel's white-crowned sparrow (*Zonotrichia*  
4668 *leucophrys gambelii*): cDNA identification, transcript localization and functional  
4669 effects in laboratory and field experiments. *J Endocrinol* 182: 33–42, 2004.
- 4670 570. **Osugi T, Ukena K, Sower SA, Kawauchi H, Tsutsui K.** Evolutionary origin and  
4671 divergence of PQRamide peptides and LPXRamide peptides in the RFamide peptide  
4672 family: Insights from novel lamprey RFamide peptides. *FEBS J* 273: 1731–1743, 2006.
- 4673 571. **Ottinger MA, Abdelnabi MA, Henry P, McGary S, Thompson N, Wu JM.**  
4674 Neuroendocrine and behavioral implications of endocrine disrupting chemicals in  
4675 quail. *Horm Behav* 40: 234–247, 2001.
- 4676 572. **Ottinger MA, Lavoie E, Thompson N, Barton A, Whitehouse K, Barton M,**  
4677 **Abdelnabi M, Quinn M, Panzica G, Viglietti-Panzica C.** Neuroendocrine and  
4678 behavioral effects of embryonic exposure to endocrine disrupting chemicals in birds.  
4679 *Brain Res Rev* 57: 376–385, 2008.
- 4680 573. **Ottinger MA, Lavoie ET, Thompson N, Bohannon M, Dean K, Quinn MJ.** Is the  
4681 gonadotropin releasing hormone system vulnerable to endocrine disruption in birds?  
4682 *Gen Comp Endocrinol* 163: 104–108, 2009.
- 4683 574. **Pandolfi M, Pozzi A, Cánepa M, Vissio P, Shimizu A, Maggese M, Lobo G.**  
4684 Presence of  $\beta$ -follicle-stimulating hormone and  $\beta$ -luteinizing hormone transcripts in the  
4685 brain of *Cichlasoma dimerus* (Perciformes: Cichlidae): effect of brain-derived

- 4686 gonadotropins on pituitary hormone release. *Neuroendocrinology* 89: 27–37, 2009.
- 4687 575. **Panopoulou G, Poustka AJ.** Timing and mechanism of ancient vertebrate genome  
4688 duplications -- the adventure of a hypothesis. *Trends Genet TIG* 21: 559–567, 2005.
- 4689 576. **Papkoff H, Samy T.** Isolation and partial characterization of the polypeptide chains of  
4690 ovine interstitial cell-stimulating hormone. *Biochim Biophys Acta* 147: 175–177, 1967.
- 4691 577. **Parhar I, Ogawa S, Kitahashi T.** RFamide peptides as mediators in environmental  
4692 control of GnRH neurons. *Prog Neurobiol* 98: 176–196, 2012.
- 4693 578. **Parhar IS, Ogawa S, Sakuma Y.** Laser-captured single digoxigenin-labeled neurons  
4694 of gonadotropin-releasing hormone types reveal a novel G protein-coupled receptor  
4695 (Gpr54) during maturation in cichlid fish. *Endocrinology* 145: 3613–3618, 2004.
- 4696 579. **Parhar IS, Ogawa S, Ubuka T.** Reproductive neuroendocrine pathways of social  
4697 behavior. *Front Endocrinol (Lausanne)* 7: 1–8, 2016.
- 4698 580. **Parhar IS, Soga T, Ogawa S, Sakuma Y.** FSH and LH- $\beta$  subunits in the preoptic  
4699 nucleus: Ontogenic expression in teleost. *Gen Comp Endocrinol* 132: 369–378, 2003.
- 4700 581. **Park J II, Semyonov J, Chia LC, Hsu SYT.** Conservation of the heterodimeric  
4701 glycoprotein hormone subunit family proteins and the LGR signaling system from  
4702 nematodes to humans. *Endocrine* 26: 267–276, 2005.
- 4703 582. **Park Y, Kim Y-J, Adams ME.** Identification of G protein-coupled receptors for  
4704 Drosophila PRXamide peptides, CCAP, corazonin, and AKH supports a theory of  
4705 ligand-receptor coevolution. *Proc Natl Acad Sci* 99: 11423–11428, 2002.
- 4706 583. **Parrott AM, Sriram G, Liu Y, Mathews MB.** Expression of Type II Chorionic  
4707 Gonadotropin Genes Supports a Role in the Male Reproductive System. *Mol Cell Biol*  
4708 31: 287–299, 2011.
- 4709 584. **Pasqualini C, Vidal B, Le Belle N, Sbaihi M, Weltzien F-A, Vernier P, Zohar Y,**  
4710 **Dufour S.** [An antagonist to GnRH in the control of reproduction in teleost fish:

- 4711 dopaminergic inhibition. Ancestral origin and differential conservation within  
4712 vertebrates?]. *J Soc Biol* 198: 61–67, 2004.
- 4713 585. **Pasqualini C, Weltzien F-A, Vidal B, Baloché S, Rouget C, Gilles N, Servent D,**  
4714 **Vernier P, Dufour S.** Two distinct dopamine D2 receptor genes in the European eel:  
4715 molecular characterization, tissue-specific transcription, and regulation by sex steroids.  
4716 *Endocrinology* 150: 1377–1392, 2009.
- 4717 586. **Pasquier J, Braasch I, Batzel P, Cabau C, Montfort J, Nguyen T, Jouanno E,**  
4718 **Berthelot C, Klopp C, Journot L, Postlethwait JH, Guiguen Y, Bobe J.** Evolution  
4719 of gene expression after whole-genome duplication: New insights from the spotted gar  
4720 genome. *J Exp Zool Part B Mol Dev Evol* 328: 709–721, 2017.
- 4721 587. **Pasquier J, Kamech N, Lafont AG, Vaudry H, Rousseau K, Dufour S.** Molecular  
4722 evolution of GPCRs: Kisspeptin/kisspeptin receptors. *J Mol Endocrinol* 52, 2014.
- 4723 588. **Pasquier J, Lafont AG, Denis F, Lefranc B, Dubessy C, Moreno-Herrera A,**  
4724 **Vaudry H, Leprince J, Dufour S, Rousseau K.** Eel Kisspeptins: Identification,  
4725 functional activity, and inhibition on both pituitary LH and GnRH receptor expression.  
4726 *Front Endocrinol (Lausanne)* 8: 1–13, 2018.
- 4727 589. **Pasquier J, Lafont AG, Jeng SR, Morini M, Dirks R, van den Thillart G,**  
4728 **Tomkiewicz J, Tostivint H, Chang CF, Rousseau K, Dufour S.** Multiple Kisspeptin  
4729 Receptors in Early Osteichthyans Provide New Insights into the Evolution of This  
4730 Receptor Family. *PLoS One* 7, 2012.
- 4731 590. **Pasquier J, Lafont AG, Leprince J, Vaudry H, Rousseau K, Dufour S.** First  
4732 evidence for a direct inhibitory effect of kisspeptins on LH expression in the eel,  
4733 *Anguilla anguilla*. *Gen Comp Endocrinol* 173: 216–225, 2011.
- 4734 591. **Pasquier J, Lafont AG, Rousseau K, Quérat B, Chemineau P, Dufour S.** Looking  
4735 for the bird Kiss: Evolutionary scenario in sauropsids Genome evolution and

- 4736 evolutionary systems biology. *BMC Evol Biol* 14, 2014.
- 4737 592. **Pasquier J, Lafont AG, Tostivint H, Vaudry H, Rousseau K, Dufour S.**  
4738 Comparative evolutionary histories of kisspeptins and kisspeptin receptors in  
4739 vertebrates reveal both parallel and divergent features. *Front Endocrinol (Lausanne)* 3:  
4740 1–15, 2012.
- 4741 593. **Patel PD, Pontrello C, Burke S.** Robust and tissue-specific expression of TPH2  
4742 versus TPH1 in rat raphe and pineal gland. *Biol Psychiatry* 55: 428–433, 2004.
- 4743 594. **Patel SR, Murphy KG, Thompson EL, Patterson M, Curtis AE, Ghatei MA,**  
4744 **Bloom SR.** Pyroglutamylated RFamide peptide 43 stimulates the hypothalamic-  
4745 pituitary- gonadal axis via gonadotropin-releasing hormone in rats. *Endocrinology* 149:  
4746 4747–4754, 2008.
- 4747 595. **Patton SJ, Luke GN, Holland PW.** Complex history of a chromosomal paralogy  
4748 region: insights from amphioxus aromatic amino acid hydroxylase genes and insulin-  
4749 related genes. *Mol Biol Evol* 15: 1373–1380, 1998.
- 4750 596. **Pavlick RJ, Moberg GP.** No Title. 105: 218–227, 1997.
- 4751 597. **Pawson AJ, Faccenda E, Maudsley S, Lu ZL, Naor Z, Millar RP.** Mammalian type  
4752 I gonadotropin-releasing hormone receptors undergo slow, constitutive, agonist-  
4753 independent internalization. *Endocrinology* 149: 1415–1422, 2008.
- 4754 598. **Pecins-Thompson M, Brown NA, Kohama SG, Bethea CL.** Ovarian steroid  
4755 regulation of tryptophan hydroxylase mRNA expression in rhesus macaques. *J*  
4756 *Neurosci Off J Soc Neurosci* 16: 7021–7029, 1996.
- 4757 599. **Peng W, Cao M, Chen J, Li Y, Wang Y, Zhu Z, Hu W.** GnIH plays a negative role  
4758 in regulating GtH expression in the common carp, *Cyprinus carpio* L. *Gen Comp*  
4759 *Endocrinol* 235: 18–28, 2016.
- 4760 600. **Perrett RM, McArdle CA.** Molecular mechanisms of gonadotropin-releasing

- 4761 hormone signaling: Integrating cyclic nucleotides into the network. *Front Endocrinol*  
4762 *(Lausanne)* 4: 1–15, 2013.
- 4763 601. **Perry SJ, Huang EYK, Cronk D, Bagust J, Sharma R, Walker RJ, Wilson S,**  
4764 **Burke JF.** A human gene encoding morphine modulating peptides related to NPFF and  
4765 FMRFamide. *FEBS Lett* 409: 426–430, 1997.
- 4766 602. **Peter R, Trudeau V, Sloley B, Peng C, Nahorniak C.** Actions of catecholamines,  
4767 peptides and sex steroids in regulation of gonadotropin-II in the goldfish. In:  
4768 *Reproductive Physiology of Fishes*. Sheffield: Scott, A.P., Sumpter, J.P., Kime, D.E. &  
4769 Rolfe M.S., eds., 1991, p. 30–34.
- 4770 603. **Peter RE, Chang JP, Nahorniak CS, Omeljaniuk RJ, Sokolowska M, Shih SH,**  
4771 **Billard R.** Interactions of catecholamines and GnRH in regulation of gonadotropin  
4772 secretion in teleost fish. *Recent Prog Horm Res* 42: 513–48, 1986.
- 4773 604. **Peter RE, Crim LW, Goos HJ, Crim JW.** Lesioning studies on the gravid female  
4774 goldfish: neuroendocrine regulation of ovulation. *Gen Comp Endocrinol* 35: 391–401,  
4775 1978.
- 4776 605. **Peter RE, Lin HR, Van der Kraak G.** Induced ovulation and spawning of cultured  
4777 fresh water fish in China: advances in application of GnRH analogues and dopamine  
4778 antagonists. *Aquaculture* 74: 1–10, 1988.
- 4779 606. **Peter RE, Paulencu CR.** Involvement of the preoptic region in gonadotropin release-  
4780 inhibition in goldfish, *Carassius auratus*. *Neuroendocrinology* 31: 133–141, 1980.
- 4781 607. **Peter RE, Yu KL, Marchant TA, Rosenblum PM.** Direct neural regulation of the  
4782 teleost adenohypophysis. *J. Exp. Zool.* 4: 84–89, 1990.
- 4783 608. **Philippe H, Lartillot N, Brinkmann H.** Multigene analyses of bilaterian animals  
4784 corroborate the monophyly of Ecdysozoa, Lophotrochozoa, and protostomia. *Mol Biol*  
4785 *Evol* 22: 1246–1253, 2005.



- 4786 609. **Pierce J.** The subunits of the pituitary thyrotropin. - Their relationship to other  
4787 glycoprotein hormones. *Endocrinology* 89: 1331–1334, 1971.
- 4788 610. **Pineda R, Garcia-Galiano D, Sanchez-Garrido MA, Romero M, Ruiz-Pino F,**  
4789 **Aguilar E, Dijcks FA, Blomenröhr M, Pinilla L, van Noort PI, Tena-Sempere M.**  
4790 Characterization of the inhibitory roles of RFRP3, the mammalian ortholog of GnIH, in  
4791 the control of gonadotropin secretion in the rat: in vivo and in vitro studies. *Am J*  
4792 *Physiol Metab* 299: E39–E46, 2010.
- 4793 611. **Pinelli C, D’Aniello B, Fiorentino M, Bhat G, Saidapur SK, Rastogi RK.**  
4794 Distribution of gonadotropin-releasing hormone immunoreactivity in the brain of  
4795 *Ichthyophis beddomei* (Amphibia: Gymnophiona). *J Comp Neurol* 384: 283–292,  
4796 1997.
- 4797 612. **Pinelli C, Jadhao A, Biswas S, Tsutsui K, D’Aniello B.** Neuroanatomical  
4798 organization of the brain gonadotropin-inhibitory hormone and gonadotropin-releasing  
4799 hormone systems in the frog *Pelophylax esculentus*. *Brain Behav Evol* 85: 15–28,  
4800 2015.
- 4801 613. **Plachetzki DC, Tsai PS, Kavanaugh SI, Sower SA.** Ancient origins of metazoan  
4802 gonadotropin-releasing hormone and their receptors revealed by phylogenomic  
4803 analyses. *Gen Comp Endocrinol* 234: 10–19, 2016.
- 4804 614. **Plant T.** 60 YEARS OF NEUROENDOCRINOLOGY: The hypothalamo-pituitary-  
4805 gonadal axis. *J Endocrinol* 226: T41-54, 2015.
- 4806 615. **Ponzoni S.** Tyrosine hydroxylase protein expression in ventral nerve cord of  
4807 Neotropical freshwater crab. *Tissue Cell* 46: 482–489, 2014.
- 4808 616. **Popesku JT, Martyniuk CJ, Mennigen J, Xiong H, Zhang D, Xia X, Cossins AR,**  
4809 **Trudeau VL.** The goldfish (*Carassius auratus*) as a model for neuroendocrine  
4810 signaling. *Mol Cell Endocrinol* 293: 43–56, 2008.

- 4811 617. **Postlethwait J, Amores A, Force A, Yan YL.** The zebrafish genome. *Methods Cell*  
4812 *Biol* 60: 149–163, 1999.
- 4813 618. **Powell JF, Reska-Skinner SM, Prakash MO, Fischer WH, Park M, Rivier JE,**  
4814 **Craig AG, Mackie GO, Sherwood NM.** Two new forms of gonadotropin-releasing  
4815 hormone in a protochordate and the evolutionary implications. *Proc Natl Acad Sci U S*  
4816 *A* 93: 10461–10464, 1996.
- 4817 619. **Powell JF, Zohar Y, Elizur A, Park M, Fischer WH, Craig AG, Rivier JE,**  
4818 **Lovejoy DA, Sherwood NM.** Three forms of gonadotropin-releasing hormone  
4819 characterized from brains of one species. *Proc Natl Acad Sci U S A* 91: 12081–12085,  
4820 1994.
- 4821 620. **Prasad GLV, Naik BR, Ko JE, Nagaraju GP.** Effects of naloxone, serotonin, and  
4822 dopamine on reproduction of the freshwater crab *Barytelphusa guerini*. *J Exp Zool A*  
4823 *Ecol Genet Physiol* 321: 173–182, 2014.
- 4824 621. **Prasad P, Ogawa S, Parhar IS.** Role of serotonin in fish reproduction. *Front*  
4825 *Neurosci* 9: 1–9, 2015.
- 4826 622. **Predel R, Neupert S, Russell WK, Scheibner O, Nachman RJ.** Corazonin in insects.  
4827 *Peptides* 28: 3–10, 2007.
- 4828 623. **Price D, Greenberg M.** Structure of a molluscan cardioexcitatory neuropeptide.  
4829 *Science (80- )* 197: 1670–671, 1977.
- 4830 624. **Przekop F, Skubiszewski B, Domański E.** The effects of indoleamines (serotonin and  
4831 melatonin) on induction of ovulation in rabbits. *Acta Physiol Pol* 26: 395–398, 1975.
- 4832 625. **Qi X, Zhou W, Li S, Lu D, Yi S, Xie R, Liu X, Zhang Y, Lin H.** Evidences for the  
4833 regulation of GnRH and GTH expression by GnIH in the goldfish, *Carassius auratus*.  
4834 *Mol Cell Endocrinol* 366: 9–20, 2013.
- 4835 626. **Qin F, Wang X, Liu S, Zheng Y, Li M, Zhang Y, Wang Z.** Gene expression

- 4836 profiling of key genes in hypothalamus-pituitary-gonad axis of rare minnow  
4837 *Gobiocypris rarus* in response to EE2. *Gene* 552: 8–17, 2014.
- 4838 627. **Quérat B, Arai Y, Henry A, Akama Y, Longhurst TJ, Joss JMP.** Pituitary  
4839 glycoprotein hormone beta subunits in the Australian lungfish and estimation of the  
4840 relative evolution rate of these subunits within vertebrates. *Biol Reprod* 70: 356–63,  
4841 2004.
- 4842 628. **Quérat B, Sellouk A, Salmon C.** Phylogenetic analysis of the vertebrate glycoprotein  
4843 hormone family including new sequences of sturgeon (*Acipenser baeri*) beta subunits  
4844 of the two gonadotropins and the thyroid-stimulating hormone. *Biol Reprod* 63: 222–  
4845 228, 2000.
- 4846 629. **Quérat B, Tonnerre-Doncarli C, Génies F, Salmon C.** Duality of gonadotropins in  
4847 gnathostomes. *Gen Comp Endocrinol* 124: 308–314, 2001.
- 4848 630. **Quillet R, Ayachi S, Bihel F, Elhabazi K, Ilien B, Simonin F.** RF-amide  
4849 neuropeptides and their receptors in Mammals: Pharmacological properties, drug  
4850 development and main physiological functions. *Pharmacol Ther* 160: 84–132, 2016.
- 4851 631. **Radovick S, Wrayf S, Lee E, Nicols DK, Nakayama Y, Weintraub BD,**  
4852 **Westphal H, Cutler GB, Wondisford FE.** Migratory arrest of gonadotropin-releasing  
4853 hormone neurons in transgenic mice. *Dev Biol* 88: 3402–3406, 1991.
- 4854 632. **Rahman MS, Thomas P.** Molecular cloning, characterization and expression of two  
4855 tryptophan hydroxylase (TPH-1 and TPH-2) genes in the hypothalamus of Atlantic  
4856 croaker: Down-regulation after chronic exposure to hypoxia. *Neuroscience* 158: 751–  
4857 765, 2009.
- 4858 633. **Reddy PS, Tuberty SR, Fingerman M.** Effects of cadmium and mercury on ovarian  
4859 maturation in the red swamp crayfish, *Procambarus clarkii*. *Ecotoxicol Environ Saf* 37:  
4860 62–65, 1997.

- 4861 634. **Reinhart J, Mertz L, Catt K.** Molecular cloning and expression of cDNA encoding  
4862 the murine gonadotropin-releasing hormone receptor. *J Biol Chem* 267: 21281–21284,  
4863 1992.
- 4864 635. **Reuter A, Gaspard U, Deville J, Vrindts-Gevaert Y, Franchimont P.** Serum  
4865 concentrations of human chorionic gonadotropin and its alpha and beta subunits. *Clin*  
4866 *Endocrinol* 13: 305–317, 1980.
- 4867 636. **Richard N, Corvaisier S, Camacho E, Kottler ML.** KiSS-1 and GPR54 at the  
4868 pituitary level: Overview and recent insights. *Peptides* 30: 123–129, 2009.
- 4869 637. **Rispoli LA, Nett TM.** Pituitary gonadotropin-releasing hormone (GnRH) receptor:  
4870 Structure, distribution and regulation of expression. *Anim Reprod Sci* 88: 57–74, 2005.
- 4871 638. **Rivier C, Rivier J, Vale W.** Effect of a potent GnRH antagonist and testosterone  
4872 propionate on mating behavior and fertility in the male rat. *Endocrinology* 108: 1998–  
4873 2001, 1981.
- 4874 639. **Rizwan MZ, Porteous R, Herbison AE, Anderson GM.** Cells expressing RFamide-  
4875 related peptide-1/3, the mammalian gonadotropin-inhibitory hormone orthologs, are  
4876 not hypophysiotropic neuroendocrine neurons in the rat. *Endocrinology* 150: 1413–  
4877 1420, 2009.
- 4878 640. **Rocco DA, Paluzzi JP V.** Functional role of the heterodimeric glycoprotein hormone,  
4879 GPA2/GPB5, and its receptor, LGR1: An invertebrate perspective. *Gen Comp*  
4880 *Endocrinol* 234: 20–27, 2016.
- 4881 641. **Roch G, Busby E, Sherwood N.** Evolution of Reproductive Neurohormones. In:  
4882 *Handbook of Neuroendocrinology*, edited by Fink G, Pfaff D, Levine J. 2012, p. 73–  
4883 94.
- 4884 642. **Roch G, Tello J, Sherwood N.** At the transition from invertebrates to vertebrates, a  
4885 novel GnRH-like peptide emerges in amphioxus. *Mol Biol Evol* 31: 765–778, 2014.

- 4886 643. **Roch GJ, Busby ER, Sherwood NM.** Evolution of GnRH: Diving deeper. *Gen Comp*  
4887 *Endocrinol* 171: 1–16, 2011.
- 4888 644. **Roch GJ, Busby ER, Sherwood NM.** GnRH receptors and peptides: Skating  
4889 backward. *Gen Comp Endocrinol* 209: 118–134, 2014.
- 4890 645. **Roch GJ, Sherwood NM.** Glycoprotein hormones and their receptors emerged at the  
4891 origin of metazoans. *Genome Biol Evol* 6: 1466–1479, 2014.
- 4892 646. **Romero A, Montefusco-Siegmund R, Valenzuela G, Kausel G, Muller M, Brauchi**  
4893 **S, Figueroa J.** Structurally conserved C-RFa revealed prolactin releasing activity in  
4894 vitro and gene expression changes in pituitary of seasonally acclimatized carp. *Biol Res*  
4895 45: 183–191, 2012.
- 4896 647. **Root AR, Sanford JD, Kavanaugh SI, Sower SA.** In vitro and in vivo effects of  
4897 GABA, muscimol, and bicuculline on lamprey GnRH concentration in the brain of the  
4898 sea lamprey (*Petromyzon marinus*). *Comp Biochem Physiol A Mol Integr Physiol* 138:  
4899 493–501, 2004.
- 4900 648. **de Roux N, Genin E, Carel J-C, Matsuda F, Chaussain J-L, Milgrom E.**  
4901 Hypogonadotropic hypogonadism due to loss of function of the KiSS1-derived peptide  
4902 receptor GPR54. *Proc Natl Acad Sci* 100: 10972–10976, 2003.
- 4903 649. **Rowe ML, Elphick MR.** The neuropeptide transcriptome of a model echinoderm, the  
4904 sea urchin *Strongylocentrotus purpuratus*. *Gen Comp Endocrinol* 179: 331–344, 2012.
- 4905 650. **Russek SJ.** Evolution of GABA(A) receptor diversity in the human genome. *Gene*  
4906 227: 213–222, 1999.
- 4907 651. **Sáenz-de-Miera LE, Ayala FJ.** Complex evolution of orthologous and paralogous  
4908 decarboxylase genes. *J Evol Biol* 17: 55–66, 2004.
- 4909 652. **Saiardi A, Bozzi Y, Baik JH, Borrelli E.** Antiproliferative role of dopamine: loss of  
4910 D2 receptors causes hormonal dysfunction and pituitary hyperplasia. *Neuron* 19: 115–

- 4911 126, 1997.
- 4912 653. **Saito T, Nakane R, Akazome Y, Abe H, Oka Y.** Electrophysiological Analysis of the  
4913 Inhibitory Effects of FMRFamide-Like Peptides on the Pacemaker Activity of  
4914 Gonadotropin-Releasing Hormone Neurons Electrophysiological Analysis of the  
4915 Inhibitory Effects of FMRFamide-Like Peptides on the Pacemaker Acti. *J*  
4916 *Neurophysiol* 104: 3518–3529, 2010.
- 4917 654. **Sakai T, Shiraishi A, Kawada T, Matsubara S, Aoyama M, Satake H.** Invertebrate  
4918 gonadotropin-releasing hormone-related peptides and their receptors: An update. *Front*  
4919 *Endocrinol (Lausanne)* 8: 1–11, 2017.
- 4920 655. **Sakamoto T, Oda A, Yamamoto K, Kaneko M, Kikuyama S, Nishikawa A,**  
4921 **Takahashi A, Kawauchi H, Tsutsui K, Fujimoto M.** Molecular cloning and  
4922 functional characterization of a prolactin-releasing peptide homolog from *Xenopus*  
4923 *laevis*. *Peptides* 27: 3347–3351, 2006.
- 4924 656. **Sakuma Y, Pfaff D.** LH-RH in the mesencephalic central grey acn Can Potentiate  
4925 Lordosis Reflex Of Female Rats. *Nature* 283: 566–567, 1980.
- 4926 657. **Sakurai H, Kawashima M, Kamiyoshi M, Tanaka K.** Effect of serotonin and beta-  
4927 endorphin on the release of luteinizing hormone in the hen (*Gallus domesticus*). *Gen*  
4928 *Comp Endocrinol* 63: 24–30, 1986.
- 4929 658. **Saldanha CJ, Walters BJ, Fraley GS.** Neurons that co-localize aromatase- and  
4930 kisspeptin-like immunoreactivity may regulate the HPG axis of the Mallard drake  
4931 (*Anas platyrhynchos*). *Gen Comp Endocrinol* 166: 606–613, 2010.
- 4932 659. **Saligaut C, Linard B, Breton B, Anglade I, Bailhache T, Kah O, Jégo P.** Brain  
4933 aminergic systems in salmonids and other teleosts in relation to steroid feedback and  
4934 gonadotropin release. *Aquaculture* 177: 13–20, 1999.
- 4935 660. **Samir H, Nagaoka K, Karen A, Ahmed E, Sayed M El, Watanabe G.** Investigation

- 4936 the mRNA expression of KISS1 and localization of kisspeptin in the testes of Shiba  
4937 goats and its relationship with the puberty and steroidogenic enzymes. *Small Rumin*  
4938 *Res* 133: 1–6, 2015.
- 4939 661. **Samir H, Nagaoka K, Watanabe G.** Effect of kisspeptin antagonist on goat in vitro  
4940 Leydig cell steroidogenesis. *Theriogenology* 121: 134–140, 2018.
- 4941 662. **Dos Santos S, Bardet C, Bertrand S, Escriva H, Habert D, Quérat B.** Distinct  
4942 expression patterns of glycoprotein hormone- $\alpha$ 2 and - $\beta$ 5 in a basal chordate suggest  
4943 independent developmental functions. *Endocrinology* 150: 3815–3822, 2009.
- 4944 663. **Dos Santos S, Mazan S, Venkatesh B, Cohen-Tannoudji J, Quérat B.** Emergence  
4945 and evolution of the glycoprotein hormone and neurotrophin gene families in  
4946 vertebrates. *BMC Evol Biol* 11: 332, 2011.
- 4947 664. **Sari IP, Rao A, Smith JT, Tilbrook AJ, Clarke IJ.** Effect of RF-amide-related  
4948 peptide-3 on luteinizing hormone and follicle-stimulating hormone synthesis and  
4949 secretion in ovine pituitary gonadotropes. *Endocrinology* 150: 5549–5556, 2009.
- 4950 665. **Sarnat HB.** The Discovery , Proof and Reproof of Neurosecretion. *Can J Neurol Sci*  
4951 10: 208–212, 1983.
- 4952 666. **Sarojini R, Nagabhushanam R, Devi M, Fingerman M.** Dopaminergic inhibition of  
4953 5-hydroxytryptamine-stimulated testicular maturation in the fiddler crab, *Uca*  
4954 *pugilator*. *Comp Biochem Physiol Part C Comp* 111: 287–292, 1995.
- 4955 667. **Sarojini R, Nagabhushanam R, Fingerman M.** In vivo evaluation of  
4956 5-hydroxytryptamine stimulation of the testes in the fiddler crab, *Uca pugilator*: a  
4957 presumed action on the neuroendocrine system. *Comp Biochem Physiol C* 106: 321–  
4958 325, 1993.
- 4959 668. **Sarojini R, Nagabhushanam R, Fingerman M.** In Vivo Effects of Dopamine and  
4960 Dopaminergic Antagonists on Testicular Maturation in the Red Swamp Crayfish,

- 4961 Procambarus clarkii. *Biol Bull* 189: 340–346, 1995.
- 4962 669. **Sarojini R, Nagabhushanam R, Fingerman M.** Mode of action of the  
4963 neurotransmitter 5-hydroxytryptamine in stimulating ovarian maturation in the red  
4964 swamp crayfish, Procambarus clarkii: an in vivo and in vitro study. *J Exp Zool* 271:  
4965 395–400, 1995.
- 4966 670. **Sasaki K, Norwitz E.** Gonadotropin-releasing hormone/gonadotropin-releasing  
4967 hormone receptor signaling in the placenta. *Curr Opin Endocrinol Diabetes Obes* 18:  
4968 401–408, 2011.
- 4969 671. **Satake H, Hisada M, Kawada T, Minakata H, Ukena K, Tsutsui K.**  
4970 Characterization of a cDNA encoding a novel avian hypothalamic neuropeptide  
4971 exerting an inhibitory effect on gonadotropin release. *Biochem J* 354: 379–385, 2001.
- 4972 672. **Sawada K, Ukena K, Kikuyama S, Tsutsui K.** Identification of a cDNA encoding a  
4973 novel amphibian growth hormone-releasing peptide and localization of its transcript. *J*  
4974 *Endocrinol* 174: 395–402, 2002.
- 4975 673. **Sawada K, Ukena K, Satake H, Iwakoshi E, Minakata H, Tsutsui K.** Novel fish  
4976 hypothalamic neuropeptide: Cloning of a cDNA encoding the precursor polypeptide  
4977 and identification and localization of the mature peptide. *Eur J Biochem* 269: 6000–  
4978 6008, 2002.
- 4979 674. **Sawyer CH.** Rhinencephalic involvement in pituitary activation by intraventricular  
4980 histamine in the rabbit under nembutal anesthesia. *Am J Physiol* 180: 37–46, 1955.
- 4981 675. **Sawyer CH, Clifton DK.** Aminergic innervation of the hypothalamus. *Fed Proc* 39:  
4982 2889–2895, 1980.
- 4983 676. **Sawyer CH, Markee JE, Holinshead WH.** Inhibition of ovulation in the rabbit by the  
4984 adrenergic-blocking agent dibenamine. *Endocrinology* 41: 395–402, 1947.
- 4985 677. **Scanes C, Glavaski-Joksimovic A, Johannsen S, Jeftinija S, Anderson L.**



- 4986 Subpopulations of somatotropes with differing intracellular calcium concentration  
4987 responses to secretagogues. *Neuroendocrinology* 85: 221–231, 2007.
- 4988 678. **Scharrer B.** Current concepts on the evolution of the neurosecretory neuron. In:  
4989 *Neurosecretion and neuroendocrine activity.*, edited by Bargmann W, Oksche A,  
4990 Polenov A, Scharrer B. Springer, 1978, p. 9–14.
- 4991 679. **Scharrer E.** Die lichtempfindlichkeit blinder elritzen (untersuchungen über das  
4992 zwischenhirn der fische I.). *Zfvergl Physiol.* .
- 4993 680. **Schirman-Hildesheim TD, Gershon E, Litichever N, Galiani D, Ben-Aroya N,**  
4994 **Dekel N, Koch Y.** Local production of the gonadotropic hormones in the rat ovary.  
4995 *Mol Cell Endocrinol* 282: 32–38, 2008.
- 4996 681. **Schultz W.** Multiple dopamine functions at different time courses. *Annu Rev Neurosci*  
4997 30: 259–288, 2007.
- 4998 682. **Schwanzel-Fukuda M, Pfaff DW.** Origin of luteinizing hormone-releasing hormone  
4999 neurons. *Nature* 338: 161–164, 1989.
- 5000 683. **Scott CJ, Clarke IJ.** Inhibition of luteinizing hormone secretion in ovariectomized  
5001 ewes during the breeding season by gamma-aminobutyric acid (GABA) is mediated by  
5002 GABA-A receptors, but not GABA-B receptors. *Endocrinology* 132: 1789–1796, 1993.
- 5003 684. **Seal L, Small C, Kim M, Stanley S, Taheri S, Ghatel M, Bloom S.** Prolactin  
5004 Releasin Peptide Stimulates LH and FSH via Hypothalamic Mechanism.  
5005 *Endocrinology* 141: 1909–1912, 2000.
- 5006 685. **Seale AP, Itoh T, Moriyama S, Takahashi A, Kawauchi H, Sakamoto T, Fujimoto**  
5007 **M, Riley LG, Hirano T, Grau EG.** Isolation and characterization of a homologue of  
5008 mammalian prolactin releasing peptide from the tilapia brain and its effect on prolactin  
5009 release from the tilapia pituitary. *Gen Comp Endocrinol* 125: 328–339, 2002.
- 5010 686. **Sealfon SC, Millar RP.** Functional domains of the gonadotropin-releasing hormone

- 5011 receptor. *Cell Mol Neurobiol* 15: 25–42, 1995.
- 5012 687. **Seeburg P, Adelman J.** Characterization of cDNA for precursor of human luteinizing  
5013 hormone releasing hormone. *Nature* 311: 666–668, 1984.
- 5014 688. **Seeburg P, Mason A, Stewart T, Nikolics K.** The mammalian GnRH gene and its  
5015 pivotal role in reproduction. *Recent Prog Horm Res* 43: 69–98, 1987.
- 5016 689. **Seegal R, Schantz S.** Biochemical and behavioral sequelae of exposure to dioxins and  
5017 PCBs. In: *Dioxins and Health*. New York: Schechter, A, 1994, p. 409–447.
- 5018 690. **Sefideh FA, Moon MJ, Yun S, Hong SI, Hwang JI, Seong JY.** Local duplication of  
5019 gonadotropin-releasing hormone (GnRH) receptor before two rounds of whole genome  
5020 duplication and origin of the mammalian GnRH receptor. *PLoS One* 9, 2014.
- 5021 691. **Selvaraj S, Ohga H, Kitano H, Nyuji M, Yamaguchi A, Matsuyama M.** Peripheral  
5022 Administration of Kiss1 Pentadecapeptide Induces Gonadal Development in Sexually  
5023 Immature Adult Scombroid Fish. *Zoolog Sci* 30: 446–454, 2013.
- 5024 692. **Selvaraj S, Ohga H, Nyuji M, Kitano H, Nagano N, Yamaguchi A, Matsuyama M.**  
5025 Subcutaneous administration of Kiss1 pentadecapeptide accelerates spermatogenesis in  
5026 prepubertal male chub mackerel (*Scomber japonicus*). *Comp Biochem Physiol - A Mol*  
5027 *Integr Physiol* 166: 228–236, 2013.
- 5028 693. **Seminara SB, Messenger S, Chatzidaki EE, Thresher RR, Acierno JS, Shagoury**  
5029 **JK, Bo-Abbas Y, Kuohung W, Schwinof KM, Hendrick AG, Zahn D, Dixon J,**  
5030 **Kaiser UB, Slaugenhaupt SA, Gusella JF, O’Rahilly S, Carlton MBL, Crowley**  
5031 **WF, Aparicio SAJR, Colledge WH.** The GPR54 Gene as a Regulator of Puberty.  
5032 *Obstet Gynecol Surv* 59: 351–353, 2004.
- 5033 694. **Semmens DC, Elphick MR.** The evolution of neuropeptide signalling: Insights from  
5034 echinoderms. *Brief Funct Genomics* 16: 288–298, 2017.
- 5035 695. **Semmens DC, Mirabeau O, Moghul I, Pancholi MR, Wurm Y, Elphick MR.**

- 5036 Transcriptomic identification of Starfish Neuropeptide precursors yields new insights  
5037 into neuropeptide evolution. *Open Biol* 6, 2016.
- 5038 696. **Senthilkumaran B, Okuzawa K, Gen K, Kagawa H.** Effects of serotonin, GABA  
5039 and neuropeptide Y on seabream gonadotropin releasing hormone release in vitro from  
5040 preoptic-anterior hypothalamus and pituitary of red seabream, *Pagrus major*. *J*  
5041 *Neuroendocrinol* 13: 395–400, 2001.
- 5042 697. **Servili A, Le Page Y, Leprince J, Caraty A, Escobar S, Parhar IS, Seong JY,**  
5043 **Vaudry H, Kah O.** Organization of two independent kisspeptin systems derived from  
5044 evolutionary-ancient kiss genes in the brain of zebrafish. *Endocrinology* 152: 1527–  
5045 1540, 2011.
- 5046 698. **Shahab M, Mastronardi C, Seminara SB, Crowley WF, Ojeda SR, Plant TM.**  
5047 Increased hypothalamic GPR54 signaling: A potential mechanism for initiation of  
5048 puberty in primates. *Proc Natl Acad Sci* 102: 2129–2134, 2005.
- 5049 699. **Shahed A, Young KA.** Intraovarian expression of GnRH-1 and gonadotropin mRNA  
5050 and protein levels in Siberian hamsters during the estrus cycle and photoperiod induced  
5051 regression/recrudescence. *Gen Comp Endocrinol* 170: 356–364, 2011.
- 5052 700. **Shahjahan M, Ikegami T, Osugi T, Ukena K, Doi H, Hattori A, Tsutsui K, Ando**  
5053 **H.** Synchronised expressions of LPXRFamide peptide and its receptor genes: Seasonal,  
5054 diurnal and circadian changes during spawning period in grass puffer. *J*  
5055 *Neuroendocrinol* 23: 39–51, 2011.
- 5056 701. **Sharp PJ, Follett BK.** The distribution of monoamines in the hypothalamus of the  
5057 Japanese quail, *Coturnix coturnix japonica*. *Zeitschrift Fur Zellforsch Und*  
5058 *Mikroskopische Anat (Vienna, Austria 1948)* 90: 245–262, 1968.
- 5059 702. **Sherman GB, Wolfe MW, Farmerie TA, Clay CM, Threadgill DS, Sharp DC,**  
5060 **Nilson JH.** A single gene encodes the beta-subunits of equine luteinizing hormone and

- 5061 chorionic gonadotropin. *Mol Endocrinol* 6: 951–959, 1992.
- 5062 703. **Sherwood N, Eiden L, Brownstein M, Spiess J, Rivier J, Vale W.** Characterization  
5063 of a teleost gonadotropin-releasing hormone. *Proc Natl Acad Sci* 80: 2794–2798, 1983.
- 5064 704. **Sherwood NM, Sower SA, Marshak DR, Fraser BA, Brownstein MJ.** Primary  
5065 structure of gonadotropin-releasing hormone from lamprey brain. *J Biol Chem* 261:  
5066 4812–4819, 1986.
- 5067 705. **Shi B, Liu X, Xu Y, Sun Z, Chen S, Zang K.** Molecular and transcriptional  
5068 characterization of GTHs and mPRa during ovarian maturation in rock bream  
5069 *Oplegnathus fasciatus*. *J Exp Zool* 323A: 430–444, 2015.
- 5070 706. **Shi B, Liu X, Xu Y, Wang S.** Molecular characterization of three gonadotropin  
5071 subunits and their expression patterns during ovarian maturation in *Cynoglossus*  
5072 *semilaevis*. *Int J Mol Sci* 16: 2767–2793, 2015.
- 5073 707. **Shi Y, Zhang Y, Li S, Liu Q, Lu D, Liu M, Meng Z, Cheng CHK, Liu X, Lin H.**  
5074 Molecular Identification of the Kiss2/Kiss1ra System and Its Potential Function During  
5075 17Alpha-Methyltestosterone-Induced Sex Reversal in the Orange-Spotted Grouper,  
5076 *Epinephelus coioides*1. *Biol Reprod* 83: 63–74, 2010.
- 5077 708. **Shima K, Kitayama S, Nakano R.** Gonadotropin binding sites in human ovarian  
5078 follicles and corpora lutea during the menstrual cycle. *Obs Gynecol* 69: 800–806, 1987.
- 5079 709. **Shimizu A, Yamashita M.** Purification of mummichog (*Fundulus heteroclitus*)  
5080 gonadotropins and their subunits, using an immunochemical assay with antisera raised  
5081 against synthetic peptides. *Gen Comp Endocrinol* 125: 79–91, 2002.
- 5082 710. **Shome B, Parlow A.** Human follicle stimulating hormone (hFSH): first proposal for  
5083 the amino acid sequence of the alpha-subunit (hFSHa) and first demonstration of its  
5084 identity with the alpha-subunit of human luteinizing hormone (hLHa). *J Clin*  
5085 *Endocrinol Metab* 39: 199–202, 1974.

- 5086 711. **Siangcham T, Tinikul Y, Poljaroen J, Sroyraya M, Changklungmoa N,**  
5087 **Phoungetchara I, Kankuan W, Sumpownon C, Wanichanon C, Hanna P,**  
5088 **Sobhon P.** The effects of serotonin, dopamine, gonadotropin-releasing hormones, and  
5089 corazonin, on the androgenic gland of the giant freshwater prawn, *Macrobrachium*  
5090 *rosenbergii*. *Gen Comp Endocrinol* 193: 10–18, 2013.
- 5091 712. **Sidhu A, Niznik HB.** Coupling of dopamine receptor subtypes to multiple and diverse  
5092 G proteins. *Int J Dev Neurosci Off J Int Soc Dev Neurosci* 18: 669–677, 2000.
- 5093 713. **Sidow A.** Gen(om)e duplications in the evolution of early vertebrates. *Curr Opin*  
5094 *Genet Dev* 6: 715–722, 1996.
- 5095 714. **Silveira LG, Noel SD, Silveira-Neto AP, Abreu AP, Brito VN, Santos MG, Bianco**  
5096 **SDC, Kuohung W, Xu S, Gryngarten M, Escobar ME, Arnhold IJP, Mendonca**  
5097 **BB, Kaiser UB, Latronico AC.** Mutations of the *KISS1* gene in disorders of puberty.  
5098 *J Clin Endocrinol Metab* 95: 2276–2280, 2010.
- 5099 715. **Silver MR, Kawauchi H, Nozaki M, Sower SA.** Cloning and analysis of the lamprey  
5100 GnRH-III cDNA from eight species of lamprey representing the three families of  
5101 *Petromyzoniformes*. *Gen Comp Endocrinol* 139: 85–94, 2004.
- 5102 716. **Silver MR, Nucci N V., Root AR, Reed KL, Sower SA.** Cloning and characterization  
5103 of a functional type II gonadotropin-releasing hormone receptor with a lengthy  
5104 carboxy-terminal tail from an ancestral vertebrate, the sea lamprey. *Endocrinology* 146:  
5105 3351–3361, 2005.
- 5106 717. **Sim JA, Skynner MJ, Pape JR, Herbison AE.** Late postnatal reorganization of  
5107 GABA(A) receptor signalling in native GnRH neurons. *Eur J Neurosci* 12: 3497–3504,  
5108 2000.
- 5109 718. **Singh P, Krishna A, Sridaran R, Tsutsui K.** Changes in GnRH I, bradykinin and  
5110 their receptors and GnIH in the ovary of *Calotes versicolor* during reproductive cycle.

- 5111 *Gen Comp Endocrinol* 159: 158–169, 2008.
- 5112 719. **Singh P, Krishna A, Tsutsui K.** Effects of gonadotropin-inhibitory hormone on  
5113 folliculogenesis and steroidogenesis of cyclic mice. *Fertil Steril* 95: 1397–1404, 2011.
- 5114 720. **Siopes TD.** Temporal characteristics and incidence of photorefractoriness in turkey  
5115 hens. *Poult Sci* 80: 95–100, 2001.
- 5116 721. **Skinner D, Malpaux B, Delaleu B, Caraty A.** Luteinizing hormone (LH)-releasing  
5117 hormone in third ventricular cerebrospinal fluid of the ewe: correlation with LH pulses  
5118 and the LH surge. *Endocrinology* 136: 3230–3237, 1995.
- 5119 722. **Skinner DC, Albertson AJ, Navratil A, Smith A, Mignot M, Talbott H, Scanlan-**  
5120 **Blake N.** Effects of gonadotrophin-releasing hormone outside the hypothalamic-  
5121 pituitary-reproductive axis. *J Neuroendocrinol* 21: 282–292, 2009.
- 5122 723. **Sloley BD, Kah O, Trudeau VL, Dulka JG, Peter RE.** Amino acid neurotransmitters  
5123 and dopamine in brain and pituitary of the goldfish: involvement in the regulation of  
5124 gonadotropin secretion. *J Neurochem* 58: 2254–2262, 1992.
- 5125 724. **Smeets WJ, González A.** Catecholamine systems in the brain of vertebrates: new  
5126 perspectives through a comparative approach. *Brain Res Brain Res Rev* 33: 308–379,  
5127 2000.
- 5128 725. **Smith JJ, Kuraku S, Holt C, Sauka-Spengler T, Jiang N, Campbell MS, Yandell**  
5129 **MD, Manousaki T, Meyer A, Bloom OE, Morgan JR, Buxbaum JD,**  
5130 **Sachidanandam R, Sims C, Garruss AS, Cook M, Krumlauf R, Wiedemann LM,**  
5131 **Sower SA, Decatur WA, Hall JA, Amemiya CT, Saha NR, Buckley KM, Rast JP,**  
5132 **Das S, Hirano M, McCurley N, Guo P, Rohner N, Tabin CJ, Piccinelli P, Elgar G,**  
5133 **Ruffier M, Aken BL, Searle SMJ, Muffato M, Pignatelli M, Herrero J, Jones M,**  
5134 **Brown CT, Chung-Davidson YW, Nanlohy KG, Libants S V., Yeh CY, McCauley**  
5135 **DW, Langeland JA, Pancer Z, Fritzsich B, De Jong PJ, Zhu B, Fulton LL,**

- 5136 **Theising B, Flicek P, Bronner ME, Warren WC, Clifton SW, Wilson RK, Li W.**  
5137 Sequencing of the sea lamprey (*Petromyzon marinus*) genome provides insights into  
5138 vertebrate evolution. *Nat Genet* 45: 415–421, 2013.
- 5139 726. **Smith JT, Coolen LM, Kriegsfeld LJ, Sari IP, Jaafarzadehshirazi MR, Maltby M,**  
5140 **Bateman K, Goodman RL, Tilbrook AJ, Ubuka T, Bentley GE, Clarke IJ,**  
5141 **Lehman MN.** Variation in kisspeptin and RFamide-related peptide (RFRP) expression  
5142 and terminal connections to gonadotropin-releasing hormone neurons in the brain: A  
5143 novel medium for seasonal breeding in the sheep. *Endocrinology* 149: 5770–5782,  
5144 2008.
- 5145 727. **Smith JT, Rao A, Pereira A, Caraty A, Millar RP, Clarke IJ.** Kisspeptin is present  
5146 in ovine hypophysial portal blood but does not increase during the preovulatory  
5147 luteinizing hormone surge: Evidence that gonadotropes are not direct targets of  
5148 kisspeptin in vivo. *Endocrinology* 149: 1951–1959, 2008.
- 5149 728. **So W-K, Kwok H-F, Ge W.** Zebrafish Gonadotropins and Their Receptors: II.  
5150 Cloning and Characterization of Zebrafish Follicle-Stimulating Hormone and  
5151 Luteinizing Hormone Subunits—Their Spatial-Temporal Expression Patterns and  
5152 Receptor Specificity1. *Biol Reprod* 72: 1382–1396, 2005.
- 5153 729. **Sokolowska-Mikolajczyk M.** Serotonin, GnRHA, and dopamine interaction in the  
5154 control of in vivo luteinizing hormone release in Prussian carp (*Carassius gibelio*  
5155 Bloch) at the time of gonad recrudescence. *CzechJ Anim Sci* : 45–61, 2015.
- 5156 730. **Somoza GM, Peter RE.** Effects of serotonin on gonadotropin and growth hormone  
5157 release from in vitro perfused goldfish pituitary fragments. *Gen Comp Endocrinol* 82:  
5158 103–110, 1991.
- 5159 731. **Somoza GM, Yu KL, Peter RE.** Serotonin stimulates gonadotropin release in female  
5160 and male goldfish, *Carassius auratus* L. *Gen Comp Endocrinol* 72: 374–382, 1988.

- 5161 732. **Song Y, Duan X, Chen J, Huang W, Zhu Z, Hu W.** The distribution of kisspeptin  
5162 (Kiss)1- and Kiss2 - Positive neurones and their connections with gonadotrophin-  
5163 releasing hormone-3 neurones in the zebrafish brain. *J Neuroendocrinol* 27: 198–211,  
5164 2015.
- 5165 733. **Song Y, Tao B, Chen J, Jia S, Zhu Z, Trudeau V, Hu W.** GABAergic Neurons and  
5166 Their Modulatory Effects on GnRH3 in Zebrafish. *Endocrinology* 158: 874–886, 2017.
- 5167 734. **Sotowska-Brochocka J.** The stimulatory and inhibitory role of the hypothalamus in  
5168 the regulation of ovulation in grass frog, *Rana temporaria* L. *Gen Comp Endocrinol* 70:  
5169 83–90, 1988.
- 5170 735. **Sotowska-Brochocka J, Licht P.** Effect of infundibular lesions on GnRH and LH  
5171 release in the frog, *Rana temporaria*, during hibernation. *Gen Comp Endocrinol* 85: 43–  
5172 54, 1992.
- 5173 736. **Sotowska-Brochocka J, Martyńska L, Licht P.** Dopaminergic inhibition of  
5174 gonadotropic release in hibernating frogs, *Rana temporaria*. *Gen Comp Endocrinol* 93:  
5175 192–196, 1994.
- 5176 737. **Sower S, Chiang Y, Lovas S, Conlon J.** Primary structure and biological activity of a  
5177 third gonadotropin-releasing hormone from lamprey brain. *Endocrinology* 132: 1125–  
5178 1131, 1993.
- 5179 738. **Sower SA.** Landmark discoveries in elucidating the origins of the hypothalamic-  
5180 pituitary system from the perspective of a basal vertebrate, sea lamprey. *Gen Comp*  
5181 *Endocrinol* 264: 3–15, 2018.
- 5182 739. **Sower SA, Decatur WA, Hausken KN, Marquis TJ, Barton SL, Gargan J,**  
5183 **Freamat M, Wilmot M, Hollander L, Hall JA, Nozaki M, Shpilman M, Levavi-**  
5184 **Sivan B.** Emergence of an ancestral glycoprotein hormone in the pituitary of the sea  
5185 lamprey, a basal vertebrate. *Endocrinology* 156: 3026–3037, 2015.



- 5186 740. **Sower SA, Freamat M, Kavanaugh SI.** The origins of the vertebrate hypothalamic-  
5187 pituitary-gonadal (HPG) and hypothalamic-pituitary-thyroid (HPT) endocrine systems:  
5188 New insights from lampreys. *Gen Comp Endocrinol* 161: 20–29, 2009.
- 5189 741. **Sower SA, Moriyama S, Kasahara M, Takahashi A, Nozaki M, Uchida K,**  
5190 **Dahlstrom JM, Kawauchi H.** Identification of sea lamprey GTH $\beta$ -like cDNA and its  
5191 evolutionary implications. *Gen Comp Endocrinol* 148: 22–32, 2006.
- 5192 742. **Speidel C.** Gland cells of internal secretion in the spinal cord of skates. *Pap Dept, Mar*  
5193 *Biol, Carnegie Inst, Wash* 13: 1–31, 1919.
- 5194 743. **Spergel DJ, Krüth U, Hanley DF, Sprengel R, Seeburg PH.** GABA- and glutamate-  
5195 activated channels in green fluorescent protein-tagged gonadotropin-releasing hormone  
5196 neurons in transgenic mice. *J Neurosci Off J Soc Neurosci* 19: 2037–2050, 1999.
- 5197 744. **Spicer OS, Wong TT, Zmora N, Zohar Y.** Targeted mutagenesis of the  
5198 hypophysiotropic Gnrh3 in zebrafish (*Danio rerio*) reveals no effects on reproductive  
5199 performance. *PLoS One* 11: 1–22, 2016.
- 5200 745. **Staubli F, Jørgensen TJD, Cazzamali G, Williamson M, Lenz C, Søndergaard L,**  
5201 **Roepstorff P, Grimmelikhuijzen CJP.** Molecular identification of the insect  
5202 adipokinetic hormone receptors. *Proc Natl Acad Sci* 99: 3446–3451, 2002.
- 5203 746. **Stewart A, Katz A, Millar R, Morgan K.** Retention and silencing of prepro-GnRH-II  
5204 and type II GnRH receptor genes in mammals. *Neuroendocrinology* 90: 416–432,  
5205 2009.
- 5206 747. **Stojilkovic S, Reinhart J, Catt K.** Gonadotropin-releasing hormone receptors:  
5207 structure and signal transduction pathways. *Endocr Rev* 15: 462–499, 1994.
- 5208 748. **Stone J V., Mordue W, Batley KE, Morris HR.** Structure of locust adipokinetic  
5209 hormone, a neurohormone that regulates lipid utilisation during flight. *Nature* 263:  
5210 207–211, 1976.

- 5211 749. **Sudo S, Kuwabara Y, Park J II, Sheau YH, Hsueh AJW.** Heterodimeric fly  
5212 glycoprotein hormone- $\alpha$ 2 (GPA2) and glycoprotein hormone- $\beta$ 5 (GPB5) activate fly  
5213 leucine-rich repeat-containing G protein-coupled receptor-1 (DLGR1) and stimulation  
5214 of human thyrotropin receptors by chimeric fly GPA2 and human GPB5.  
5215 *Endocrinology* 146: 3596–3604, 2005.
- 5216 750. **Sukhbaatar U, Kanasaki H, Mijiddorj T, Oride A, Hara T, Yamada T, Kyo S.**  
5217 Expression of GnRH and Kisspeptin in Primary Cultures of Fetal Rat Brain. *Reprod*  
5218 *Sci* 24: 227–233, 2017.
- 5219 751. **Sukhbaatar U, Kanasaki H, Mijiddorj T, Oride A, Miyazaki K.** Kisspeptin induces  
5220 expression of gonadotropin-releasing hormone receptor in GnRH-producing GT1-7  
5221 cells overexpressing G protein-coupled receptor 54. *Gen Comp Endocrinol* 194: 94–  
5222 101, 2013.
- 5223 752. **Sullivan S, Moenter S.** GABAergic integration of progesterone and androgen  
5224 feedback to gonadotropin-releasing hormone neurons. *Biol Reprod* 72: 33–41, 2005.
- 5225 753. **Sun B, Kavanaugh SI, Tsai PS.** Gonadotropin-releasing hormone in protostomes:  
5226 Insights from functional studies on *Aplysia californica*. *Gen Comp Endocrinol* 176:  
5227 321–326, 2012.
- 5228 754. **Sun YM, Flanagan CA, Illing N, Ott TR, Sellar R, Fromme BJ, Hapgood J, Sharp**  
5229 **P, Sealfon SC, Millar RP.** A chicken gonadotropin-releasing hormone receptor that  
5230 confers agonist activity to mammalian antagonists. Identification of D-LYS6in the  
5231 ligand and extracellular loop two of the receptor as determinants. *J Biol Chem* 276:  
5232 7754–7761, 2001.
- 5233 755. **Suo S, Sasagawa N, Ishiura S.** Cloning and characterization of a *Caenorhabditis*  
5234 *elegans* D2-like dopamine receptor. *J Neurochem* 86: 869–878, 2003.
- 5235 756. **Suwansa-ard S, Zhao M, Thongbuakaew T, Chansela P, Ventura T, Cummins S,**

- 5236 **Sobhon P.** Gonadotropin-releasing hormone and adipokinetic hormone/corazonin-  
5237 related peptide in the female prawn. *Gen Comp Endocrinol* 236: 70–82, 2016.
- 5238 757. **Suzuki K, Gamble R, Sower S.** Multiple transcripts encoding lamprey gonadotropin-  
5239 releasing hormone-I precursors. *J Mol Endocrinol* 24: 365–376, 2000.
- 5240 758. **Suzuki K, Kawauchi H, Nagahama Y.** Isolation and characterization of two distinct  
5241 gonadotropins from chum salmon pituitary glands. *Gen Comp Endocrinol* 71: 292–  
5242 301, 1988.
- 5243 759. **Suzuki S, Kadokawa H, Hashizume T.** Direct kisspeptin-10 stimulation on  
5244 luteinizing hormone secretion from bovine and porcine anterior pituitary cells. *Anim*  
5245 *Reprod Sci* 103: 360–365, 2008.
- 5246 760. **Swanson KD, Ganguly R.** Characterization of a *Drosophila melanogaster* gene similar  
5247 to the mammalian genes encoding the tyrosine/tryptophan hydroxylase activator and  
5248 protein kinase C inhibitor proteins. *Gene* 113: 183–190, 1992.
- 5249 761. **Swanson P, Suzuki K, Kawauchi H, Dickhoff W.** Isolation and characterization of  
5250 two coho salmon gonadotropins, GTH I and GTH II. *Biol Reprod* 44: 29–38, 1991.
- 5251 762. **Tachibana T, Sakamoto T.** Functions of two distinct “prolactin-releasing peptides”  
5252 evolved from a common ancestral gene. *Front Endocrinol (Lausanne)* 5: 1–12, 2014.
- 5253 763. **Tachibana T, Tsukada A, Fujimoto M, Takahashi H, Ohkubo T, Boswell T,**  
5254 **Furuse M.** Comparison of mammalian prolactin-releasing peptide and *Carassius*  
5255 RFamide for feeding behavior and prolactin secretion in chicks. *Gen Comp Endocrinol*  
5256 144: 264–269, 2005.
- 5257 764. **Takahashi N.** The spawning of the sea urchin *Strongylocentrotus intermedius* by  
5258 gamma-aminobutyric acid. *Bull. Japanese Soc. Sci. Fish.* 52: 2041, 1986.
- 5259 765. **Talmadge K, Vamvakopoulos N, Fiddes J.** Evolution of the genes for the  $\beta$  subunits  
5260 of human chorionic gonadotropin and luteinizing hormone. *Nature* 307: 37–40, 1984.

- 5261 766. **Tanabe T, Yuan Y, Nakamura S, Itoh N, Takahashi KG, Osada M.** The role in  
5262 spawning of a putative serotonin receptor isolated from the germ and ciliary cells of the  
5263 gonoduct in the gonad of the Japanese scallop, *Patinopecten yessoensis*. *Gen Comp*  
5264 *Endocrinol* 166: 620–627, 2010.
- 5265 767. **Tanaka Y, Hua YJ, Roller L, Tanaka S.** Corazonin reduces the spinning rate in the  
5266 silkworm, *Bombyx mori*. *J Insect Physiol* 48: 707–714, 2002.
- 5267 768. **Tang H, Liu Y, Luo D, Ogawa S, Yin Y, Li S, Zhang Y, Hu W, Parhar IS, Lin H,**  
5268 **Liu X, Cheng CHK.** The kiss/kissr systems are dispensable for zebrafish reproduction:  
5269 Evidence from gene knockout studies. *Endocrinology* 156: 589–599, 2015.
- 5270 769. **Tariq AR, Shabab M.** Effect of kisspeptin challenge on testosterone and inhibin  
5271 secretion from in vitro testicular tissue of adult male rhesus monkey (*Macaca mulatta*).  
5272 *Andrologia* 49, 2017.
- 5273 770. **De Tassigny XDA, Fagg LA, Carlton MBL, Colledge WH.** Kisspeptin can stimulate  
5274 Gonadotropin-Releasing Hormone (GnRH) release by a direct action at GnRH nerve  
5275 terminals. *Endocrinology* 149: 3926–3932, 2008.
- 5276 771. **Tawfik AI, Tanaka S, De Loof A, Schoofs L, Baggerman G, Waelkens E, Derua R,**  
5277 **Milner Y, Yerushalmi Y, Pener AMP, Bowers WS.** Identification of the  
5278 gregarization-associated dark- pigmentotropin in locusts through an albino mutant.  
5279 *Physiology* 96: 7083–7087, 1999.
- 5280 772. **Taylor J, Braasch I, Frickey T, Meyer A, Van de Peer Y.** Genome duplication, a  
5281 trait shared by 22000 species of ray-finned fish. *Genome Res* 13: 382–390, 2003.
- 5282 773. **Teigen K, McKinney J, Haavik J, Martínez A.** Selectivity and affinity determinants  
5283 for ligand binding to the aromatic amino acid hydroxylases. *Curr Med Chem* 14: 455–  
5284 467, 2007.
- 5285 774. **Teles MG, Bianco SDC, Brito VN, Trarbach EB, Kuohung W, Xu S, Seminara**

- 5286 **SB, Mendonca BB, Kaiser UB, Latronico AC.** A *GPR54* -Activating Mutation in a  
5287 Patient with Central Precocious Puberty. *N Engl J Med* 358: 709–715, 2008.
- 5288 775. **Tello JA, Rivier JE, Sherwood NM.** Tunicate GnRH peptides selectively activate  
5289 Ciona intestinalis GnRH receptors and the green monkey type II GnRH receptor.  
5290 *Endocrinology* 146: 4061–4073, 2005.
- 5291 776. **Tello JA, Sherwood NM.** Amphioxus: Beginning of vertebrate and end of invertebrate  
5292 type GnRH receptor lineage. *Endocrinology* 150: 2847–2856, 2009.
- 5293 777. **Temple JL, Millar RP, Rissman EF.** An evolutionarily conserved form of  
5294 gonadotropin-releasing hormone coordinates energy and reproductive behavior.  
5295 *Endocrinology* 144: 13–19, 2003.
- 5296 778. **Tensen C, Okuzawa K, Blomenröhr M, Rebers F, Leurs R, Bogerd J, Schulz R,**  
5297 **Goos H.** Distinct efficacies for two endogenous ligands on a single cognate  
5298 gonadoliberin receptor. *Eur J Biochem* 243: 134–140, 1997.
- 5299 779. **Terakado K.** Induction of gamete release by gonadotropin-releasing hormone in a  
5300 protochordate, *Ciona intestinalis*. *Gen Comp Endocrinol* 124: 277–284, 2001.
- 5301 780. **Terasaka T, Otsuka F, Tsukamoto N, Nakamura E, Inagaki K, Toma K, Ogura-**  
5302 **Ochi K, Glidewell-Kenney C, Lawson MA, Makino H.** Mutual interaction of  
5303 kisspeptin, estrogen and bone morphogenetic protein-4 activity in GnRH regulation by  
5304 GT1-7 cells. *Mol Cell Endocrinol* 381: 8–15, 2013.
- 5305 781. **Thiéry JC, Gayrard V, Le Corre S, Viguié C, Martin GB, Chemineau P, Malpoux**  
5306 **B.** Dopaminergic control of LH secretion by the A15 nucleus in anoestrous ewes. *J*  
5307 *Reprod Fertil Suppl* 49: 285–296, 1995.
- 5308 782. **Thomas P, Rahman M, Khan I, Kummer J.** Widespread endocrine disruption and  
5309 reproductive impairment in an estuarine fish population exposed to seasonal hypoxia.  
5310 *Proceedings Biol Sci* 274: 2693–2701, 2007.

- 5311 783. **Thompson EL, Patterson M, Murphy KG, Smith KL, Dhillon WS, Todd JF, Ghatgei**  
5312 **MA, Bloom SR.** Central and peripheral administration of kisspeptin-10 stimulates the  
5313 hypothalamic-pituitary-gonadal axis. *J Neuroendocrinol* 16: 850–858, 2004.
- 5314 784. **Thompson IR, Kaiser UB.** GnRH pulse frequency-dependent differential regulation  
5315 of LH and FSH gene expression. *Mol Cell Endocrinol* 385: 28–35, 2014.
- 5316 785. **Tian S, Zandawala M, Beets I, Baytemur E, Slade SE, Scrivens JH, Elphick MR.**  
5317 Urbilaterian origin of paralogous GnRH and corazonin neuropeptide signalling  
5318 pathways. *Sci Rep* 6: 1–7, 2016.
- 5319 786. **Van Tienhoven A, Nalbandov A V., Norton HW.** Effect of dibenamine on  
5320 progesterone-induced and spontaneous ovulation in the hen. *Endocrinology* 54: 605–  
5321 611, 1954.
- 5322 787. **Tinikul Y, Soonthornsumrith B, Phoungpetchara I, Meeratana P, Poljaroen J,**  
5323 **Duangsuwan P, Soonklang N, Mercier AJ, Sobhon P.** Effects of serotonin,  
5324 dopamine, octopamine, and spiperone on ovarian maturation and embryonic  
5325 development in the giant freshwater prawn, *Macrobrachium rosenbergii* (De Man,  
5326 1879). *Crustaceana* 82: 1007–1022, 2009.
- 5327 788. **Tobari Y, Iijima N, Tsunekawa K, Osugi T, Okanoya K, Tsutsui K, Ozawa H.**  
5328 Identification of gonadotropin-inhibitory hormone in the zebra finch (*Taeniopygia*  
5329 *guttata*): Peptide isolation, cDNA cloning and brain distribution. *Peptides* 31: 816–826,  
5330 2010.
- 5331 789. **Tobari Y, Kansaku N, Tsutsui K.** Noradrenergic modulation of gonadotrophin-  
5332 inhibitory hormone gene expression in the brain of Japanese quail. *J Neuroendocrinol*  
5333 29, 2017.
- 5334 790. **Tostivint H.** Evolution of the gonadotropin-releasing hormone (GnRH) gene family in  
5335 relation to vertebrate tetraploidizations. *Gen Comp Endocrinol* 170: 575–581, 2011.

- 5336 791. **Tovar Bohórquez MO, Mechaly AS, Hughes LC, Campanella D, Ortí G, Canosa**  
5337 **LF, Somoza GM.** Kisspeptin system in pejerrey fish (*Odontesthes bonariensis*).  
5338 Characterization and gene expression pattern during early developmental stages. *Comp*  
5339 *Biochem Physiol -Part A Mol Integr Physiol* 204: 146–156, 2017.
- 5340 792. **Tremblay JJ.** Molecular regulation of steroidogenesis in endocrine Leydig cells.  
5341 *Steroids* 103: 3–10, 2015.
- 5342 793. **Troskie B, Illing N, Rumbak E, Sun Y-M, Hapgood J, Sealfon S, Conklin D,**  
5343 **Millar R.** Identification of three putative GnRH receptor subtypes in vertebrates. *Gen*  
5344 *Comp Endocrinol* 112: 296–302, 1998.
- 5345 794. **Troskie BE.** Complementary Deoxyribonucleic Acid Cloning, Gene Expression, and  
5346 Ligand Selectivity of a Novel Gonadotropin-Releasing Hormone Receptor Expressed  
5347 in the Pituitary and Midbrain of *Xenopus laevis*. *Endocrinology* 141: 1764–1771, 2000.
- 5348 795. **Trudeau V, Schueler F, Navarro-Martin L, Hamilton C, Bulaeva E, Bennett A,**  
5349 **Fletcher W, Taylor L.** Efficient induction of spawning of northern leopard frogs  
5350 (*Lithobates pipiens*) during and outside the natural breeding season. *Reprod Biol*  
5351 *Endocrinol RB&E* 11: 14, 2013.
- 5352 796. **Trudeau V, Somoza G, Natale G, Pauli B, Wignall J, Jackman P, Doe K, Schueler**  
5353 **F.** Hormonal induction of spawning in 4 species of frogs by coinjection with a  
5354 gonadotropin-releasing hormone agonist and a dopamine antagonist. *Reprod Biol*  
5355 *Endocrinol RB&E* 8: 36, 2010.
- 5356 797. **Trudeau VL.** Neuroendocrine regulation of gonadotrophin II release and gonadal  
5357 growth in the goldfish, *Carassius auratus*. *Rev Reprod* 2: 55–68, 1997.
- 5358 798. **Trudeau VL, Sloley BD, Peter RE.** GABA stimulation of gonadotropin-II release in  
5359 goldfish: involvement of GABAA receptors, dopamine, and sex steroids. *Am J Physiol*  
5360 265: R348-355, 1993.

- 5361 799. **Trudeau VL, Spanswick D, Fraser EJ, Larivière K, Crump D, Chiu S, MacMillan**  
5362 **M, Schulz RW.** The role of amino acid neurotransmitters in the regulation of pituitary  
5363 gonadotropin release in fish. *Biochem Cell Biol* 78: 241–259, 2000.
- 5364 800. **Tsai P-S, Zhang L.** The Emergence and Loss of Gonadotropin-Releasing Hormone in  
5365 Protostomes: Orthology, Phylogeny, Structure, and Function1. *Biol Reprod* 79: 798–  
5366 805, 2008.
- 5367 801. **Tsai PS.** Gonadotropin-releasing hormone by any other name would smell as sweet.  
5368 *Gen Comp Endocrinol* 264: 58–63, 2018.
- 5369 802. **Tsai PS, Sun B, Rochester JR, Wayne NL.** Gonadotropin-releasing hormone-like  
5370 molecule is not an acute reproductive activator in the gastropod, *Aplysia californica*.  
5371 *Gen Comp Endocrinol* 166: 280–288, 2010.
- 5372 803. **Tsang S-Y, Ng S-K, Xu Z, Xue H.** The evolution of GABAA receptor-like genes. *Mol*  
5373 *Biol Evol* 24: 599–610, 2007.
- 5374 804. **Tsutsui K, Bentley GE, Bedecarrats G, Osugi T, Ubuka T, Kriegsfeld LJ.**  
5375 Gonadotropin-inhibitory hormone (GnIH) and its control of central and peripheral  
5376 reproductive function. *Front Neuroendocrinol* 31: 284–295, 2010.
- 5377 805. **Tsutsui K, Bentley GE, Kriegsfeld LJ, Osugi T, Seong JY, Vaudry H.** Discovery  
5378 and evolutionary history of gonadotrophin-inhibitory hormone and kisspeptin: New  
5379 key neuropeptides controlling reproduction. *J Neuroendocrinol* 22: 716–727, 2010.
- 5380 806. **Tsutsui K, Osugi T.** Evolutionary origin and divergence of GnIH and its homologous  
5381 peptides. *Gen Comp Endocrinol* 161: 30–33, 2009.
- 5382 807. **Tsutsui K, Osugi T, Son YL, Ubuka T.** Review: Structure, function and evolution of  
5383 GnIH. *Gen Comp Endocrinol* 264: 48–57, 2018.
- 5384 808. **Tsutsui K, Saigoh E, Ukena K, Teranishi H, Fujisawa Y, Kikuchi M, Ishii S,**  
5385 **Sharp PJ.** A novel avian hypothalamic peptide inhibiting gonadotropin release.



- 5386 *Biochem Biophys Res Commun* 275: 661–667, 2000.
- 5387 809. **Tsutsumi M, Zhou W, Millar RP, Mellon PL, Roberts JL, Flanagan CA, Dong K,**  
5388 **Gillo B, Sealfon SC.** Cloning and functional expression of a mouse gonadotropin-  
5389 releasing hormone receptor. *Mol Endocrinol* 6: 1163–9, 1992.
- 5390 810. **Tuomisto J, Mannisto P.** Neurotransmitter regulation of Anterior pituitary hormones.  
5391 *Pharmacol Rev* 37: 250–332, 1985.
- 5392 811. **Turlejski K.** Evolutionary ancient roles of serotonin: long-lasting regulation of activity  
5393 and development. *Acta Neurobiol Exp (Wars)* 56: 619–636, 1996.
- 5394 812. **Twan WH, Hwang JS, Lee YH, Jeng SR, Yueh WS, Tung YH, Wu HF, Dufour S,**  
5395 **Chang CF.** The presence and ancestral role of gonadotropin-releasing hormone in the  
5396 reproduction of scleractinian coral, *Euphyllia ancora*. *Endocrinology* 147: 397–406,  
5397 2006.
- 5398 813. **Ubuka T, Inoue K, Fukuda Y, Mizuno T, Ukena K, Kriegsfeld LJ, Tsutsui K.**  
5399 Identification, expression, and physiological functions of Siberian hamster  
5400 gonadotropin-inhibitory hormone. *Endocrinology* 153: 373–385, 2012.
- 5401 814. **Ubuka T, Kim S, Huang YC, Reid J, Jiang J, Osugi T, Chowdhury VS, Tsutsui K,**  
5402 **Bentley GE.** Gonadotropin-inhibitory hormone neurons interact directly with  
5403 gonadotropin-releasing hormone-I and -II neurons in European starling brain.  
5404 *Endocrinology* 149: 268–278, 2008.
- 5405 815. **Ubuka T, Lai H, Kitani M, Suzuuchi A, Pham V, Cadigan PA, Wang A,**  
5406 **Chowdhury VS, Tsutsui K, Bentley GE.** Gonadotropin-inhibitory hormone  
5407 identification, cDNA cloning, and distribution in rhesus macaque brain. *J Comp Neurol*  
5408 517: 841–855, 2009.
- 5409 816. **Ubuka T, Morgan K, Pawson AJ, Osugi T, Chowdhury VS, Minakata H, Tsutsui**  
5410 **K, Millar RP, Bentley GE.** Identification of human GnIH homologs, RFRP-1 and

- 5411 RFRP-3, and the cognate receptor, GPR147 in the human hypothalamic pituitary axis.  
5412 *PLoS One* 4, 2009.
- 5413 817. **Ubuka T, Tsutsui K.** Evolution of gonadotropin-inhibitory hormone receptor and its  
5414 ligand. *Gen Comp Endocrinol* 209: 148–161, 2014.
- 5415 818. **Ubuka T, Ukena K, Sharp PJ, Bentley GE, Tsutsui K.** Gonadotropin-inhibitory  
5416 hormone inhibits gonadal development and maintenance by decreasing gonadotropin  
5417 synthesis and release in male quail. *Endocrinology* 147: 1187–1194, 2006.
- 5418 819. **Uchida K, Moriyama S, Chiba H, Shimotani T, Honda K, Miki M, Takahashi A,**  
5419 **Sower SA, Nozaki M.** Evolutionary origin of a functional gonadotropin in the pituitary  
5420 of the most primitive vertebrate, hagfish. *Proc Natl Acad Sci* 107: 15832–15837, 2010.
- 5421 820. **Uenoyama Y, Tsukamura H, Maeda KI.** Kisspeptin/metastin: A key molecule  
5422 controlling two modes of gonadotrophin-releasing hormone/luteinising hormone  
5423 release in female rats. *J Neuroendocrinol* 21: 299–304, 2009.
- 5424 821. **Ukena K, Iwakoshi-Ukena E, Osugi T, Tsutsui K.** Identification and localization of  
5425 gonadotropin-inhibitory hormone (GnIH) orthologs in the hypothalamus of the red-  
5426 eared slider turtle, *Trachemys scripta elegans*. *Gen Comp Endocrinol* 227: 69–76,  
5427 2016.
- 5428 822. **Ukena K, Iwakoshi E, Minakata H, Tsutsui K.** A novel rat hypothalamic RFamide-  
5429 related peptide identified by immunoaffinity chromatography and mass spectrometry.  
5430 *FEBS Lett* 512: 255–258, 2002.
- 5431 823. **Ukena K, Koda A, Yamamoto K, Iwakoshi-Ukena E, Minakata H, Kikuyama S,**  
5432 **Tsutsui K.** Structures and diverse functions of frog growth hormone-releasing peptide  
5433 (fGRP) and its related peptides (fGRP-RPs): a review. *J Exp Zool* 305A: 815–821,  
5434 2006.
- 5435 824. **Ukena K, Koda A, Yamamoto K, Kobayashi T, Iwakoshi-Ukena E, Minakata H,**

- 5436 **Kikuyama S, Tsutsui K.** Novel neuropeptides related to frog growth hormone-  
5437 releasing peptide: Isolation, sequence, and functional analysis. *Endocrinology* 144:  
5438 3879–3884, 2003.
- 5439 825. **Ukena K, Osugi T, Leprince J, Vaudry H, Tsutsui K.** Molecular evolution of  
5440 GPCRs: 26Rfa/GPR103. *J Mol Endocrinol* 52, 2014.
- 5441 826. **Ukena K, Tsutsui K.** A new member of the hypothalamic rf-amide peptide family,  
5442 lpxrf-amide peptides: Structure, localization, and function. *Mass Spectrom Rev* 24:  
5443 469–486, 2005.
- 5444 827. **Vaca AA, Alfaro J.** Ovarian maturation and spawning in the white shrimp, *Penaeus*  
5445 *vannamei*, by serotonin injection. *Aquaculture* 182: 373–385, 2000.
- 5446 828. **Vallone D, Picetti R, Borrelli E.** Structure and function of dopamine receptors.  
5447 *Neurosci Biobehav Rev* 24: 125–132, 2000.
- 5448 829. **Veenstra J.** Isolation and structure of the *Drosophila* corazonin gene. *Biochem Biophys*  
5449 *Res Commun* 204: 292–296, 1994.
- 5450 830. **Veenstra JA.** Isolation and structure of corazonin, a cardioactive peptide from the  
5451 American cockroach. *FEBS Lett* 250: 231–234, 1989.
- 5452 831. **Veenstra JA.** Neurohormones and neuropeptides encoded by the genome of *Lottia*  
5453 *gigantea*, with reference to other mollusks and insects. *Gen Comp Endocrinol* 167: 86–  
5454 103, 2010.
- 5455 832. **Veenstra JA.** Neuropeptide evolution: Neurohormones and neuropeptides predicted  
5456 from the genomes of *Capitella teleta* and *Helobdella robusta*. *Gen Comp Endocrinol*  
5457 171: 160–175, 2011.
- 5458 833. **Veenstra JA.** Neuropeptide evolution: Chelicerate neurohormone and neuropeptide  
5459 genes may reflect one or more whole genome duplications. *Gen Comp Endocrinol* 229:  
5460 41–55, 2016.

- 5461 834. **Velardo J.** Induction of ovulation in immature hypophysectomized rats. *Science* (80-)  
5462 131: 357–359, 1960.
- 5463 835. **De Velasco B, Shen J, Go S, Hartenstein V.** Embryonic development of the  
5464 *Drosophila* corpus cardiacum, a neuroendocrine gland with similarity to the vertebrate  
5465 pituitary, is controlled by sine oculis and glass. *Dev Biol* 274: 280–294, 2004.
- 5466 836. **Vernier P, Philippe H, Samama P, Mallet J.** Bioamine receptors: evolutionary and  
5467 functional variations of a structural leitmotiv. *EXS* 63: 297–337, 1993.
- 5468 837. **Vidal B, Pasqualini C, Le Belle N, Holland M, Sbaihi M, Vernier P, Zohar Y,**  
5469 **Dufour S.** Dopamine inhibits luteinizing hormone synthesis and release in the juvenile  
5470 European eel: a neuroendocrine lock for the onset of puberty. *Biol Reprod* 71: 1491–  
5471 1500, 2004.
- 5472 838. **Vidal B, Pasqualini C, Le Belle N, Holland MC, Sbaihi M, Vernier P, Zohar Y,**  
5473 **Dufour S.** Dopamine inhibits luteinizing hormone synthesis and release in the juvenile  
5474 European eel: a neuroendocrine lock for the onset of puberty. *Biol Reprod* 71: 1491–  
5475 500, 2004.
- 5476 839. **Vijayan E, McCann SM.** The effects of intraventricular injection of gamma-  
5477 aminobutyric acid (GABA) on prolactin and gonadotropin release in conscious female  
5478 rats. *Brain Res* 155: 35–43, 1978.
- 5479 840. **Vijayan E, McCann SM.** Effect of blockade of dopaminergic receptors on  
5480 acetylcholine (ACh)-induced alterations of plasma gonadotropin and prolactin (Prl) in  
5481 conscious ovariectomized rats. *Brain Res Bull* 5: 23–29, 1980.
- 5482 841. **Vilim FS, Aarnisalo AA, Nieminen ML, Lintunen M, Karlstedt K, Kontinen VK,**  
5483 **Kalso E, States B, Panula P, Ziff E.** Gene for pain modulatory neuropeptide NPF:  
5484 induction in spinal cord by noxious stimuli. [Online]. *Mol Pharmacol* 55: 804–11,  
5485 1999. <http://www.ncbi.nlm.nih.gov/pubmed/10220558>.

- 5486 842. **Virmani MA, Stojilković SS, Catt KJ.** Stimulation of luteinizing hormone release by  
5487 gamma-aminobutyric acid (GABA) agonists: mediation by GABAA-type receptors and  
5488 activation of chloride and voltage-sensitive calcium channels. *Endocrinology* 126:  
5489 2499–2505, 1990.
- 5490 843. **Volkoff H, Peter RE.** Actions of two forms of gonadotropin releasing hormone and a  
5491 GnRH antagonist on spawning behavior of the goldfish *Carassius auratus*. *Gen Comp*  
5492 *Endocrinol* 116: 347–355, 1999.
- 5493 844. **Vu M, Trudeau V.** Neuroendocrine control of spawning in amphibians and its  
5494 practical applications. *Gen Comp Endocrinol* 234: 28–39, 2016.
- 5495 845. **Vu M, Weiler B, Trudeau V.** Time- and dose-related effects of a gonadotropin-  
5496 releasing hormone agonist and dopamine antagonist on reproduction in the Northern  
5497 leopard frog (*Lithobates pipiens*). *Gen Comp Endocrinol* 254: 86–96, 2017.
- 5498 846. **Wagner EJ, Ronnekleiv OK, Bosch MA, Kelly MJ.** Estrogen biphasically modifies  
5499 hypothalamic GABAergic function concomitantly with negative and positive control of  
5500 luteinizing hormone release. *J Neurosci Off J Soc Neurosci* 21: 2085–2093, 2001.
- 5501 847. **Wahab F, Riaz T, Khan LA, Leprince J, Vaudry H, Tena-Sempere M, Shahab M.**  
5502 Peripheral administration of the human kisspeptin-10 and 26RFamide inhibits plasma  
5503 testosterone levels in the adult male broiler breeder birds (*Gallus domesticus*). *Pak J*  
5504 *Zool* 44: 7–14, 2012.
- 5505 848. **Wahab F, Shahab M, Behr R.** The involvement of gonadotropin inhibitory hormone  
5506 and kisspeptin in the metabolic regulation of reproduction. *J Endocrinol* 225: R49–  
5507 R66, 2015.
- 5508 849. **Wahlstrom T, Huhtaniemi I, Hovatta O, Seppala M.** Localization of luteinizing  
5509 hormone, follicle-stimulating hormone, prolactin, and their receptors in human and rat  
5510 testis using immunohistochemistry and radioreceptor assay. *J Clin Endocrinol Metab*

- 5511 57: 825–830, 1983.
- 5512 850. **Walker RJ, Holden-Dye L.** Evolutionary aspects of transmitter molecules, their  
5513 receptors and channels. *Parasitology* 102 Suppl: S7-29, 1991.
- 5514 851. **Walther D, Bader M.** A unique central tryptophan hydroxylase isoform. *Biochem*  
5515 *Pharmacol* 66: 1673–1680, 2003.
- 5516 852. **Wang B, Liu Q, Liu X, Xu Y, Shi B.** Molecular characterization of Kiss2 receptor  
5517 and in vitro effects of Kiss2 on reproduction-related gene expression in the  
5518 hypothalamus of half-smooth tongue sole (*Cynoglossus semilaevis*). *Gen Comp*  
5519 *Endocrinol* 249: 55–63, 2017.
- 5520 853. **Wang B, Yang G, Liu Q, Qin J, Xu Y, Li W, Liu X, Shi B.** Characterization of  
5521 LPXRFa receptor in the half-smooth tongue sole (*Cynoglossus semilaevis*): Molecular  
5522 cloning, expression profiles, and differential activation of signaling pathways by  
5523 LPXRFa peptides. *Comp Biochem Physiol -Part A Mol Integr Physiol* 223: 23–32,  
5524 2018.
- 5525 854. **Wang JY, Hsu MC, Tseng TH, Wu LS, Yang KT, Chiu CH.** Kisspeptin expression  
5526 in mouse Leydig cells correlates with age. *J Chinese Med Assoc* 78: 249–257, 2015.
- 5527 855. **Wang L, Bogerd J, Choi H, Seong J, Soh J, Chun S, Blomenröhr M, TRoskie B,**  
5528 **Millar R, Yu W, McCann S, Kwon H.** Three distinct types of GnRH receptor  
5529 characterized in the bullfrog. *Proc Natl Acad Sci* 98: 361–366, 2001.
- 5530 856. **Wang P, Wang M, Ji G, Yang S, Zhang S, Liu Z.** Demonstration of a functional  
5531 kisspeptin/kisspeptin receptor system in amphioxus with implications for origin of  
5532 neuroendocrine regulation. *Endocrinology* 158: 1461–1473, 2017.
- 5533 857. **Wang Q, He M.** Molecular characterization and analysis of a putative 5-HT receptor  
5534 involved in reproduction process of the pearl oyster *Pinctada fucata*. *Gen Comp*  
5535 *Endocrinol* 204: 71–79, 2014.

- 5536 858. **Wang Q, Qi X, Guo Y, Li S, Zhang Y, Liu X, Lin H.** Molecular identification of  
5537 GnIH/GnIHR signal and its reproductive function in protogynous hermaphroditic  
5538 orange-spotted grouper (*Epinephelus coioides*). *Gen Comp Endocrinol* 216: 9–23,  
5539 2015.
- 5540 859. **Wang Y, Wang CY, Wu Y, Huang G, Li J, Leung FC.** Identification of the receptors  
5541 for prolactin-releasing peptide (PrRP) and Carassius RFamide peptide (C-RFa) in  
5542 chickens. *Endocrinology* 153: 1861–1874, 2012.
- 5543 860. **Watanabe H, Fujisawa T, Holstein TW.** Cnidarians and the evolutionary origin of  
5544 the nervous system. *Dev Growth Differ* 51: 167–183, 2009.
- 5545 861. **Watanabe M, Fukuda A, Nabekura J.** The role of GABA in the regulation of GnRH  
5546 neurons. *Front Neurosci* 8: 387, 2014.
- 5547 862. **Watanabe T, Sadamoto H, Aonuma H.** Molecular basis of the dopaminergic system  
5548 in the cricket *Gryllus bimaculatus*. *Invertebr Neurosci* 13: 107–123, 2013.
- 5549 863. **Waye A, Trudeau V.** Neuroendocrine disruption: more than hormones are upset. *J*  
5550 *Toxicol Environ Health B Crit Rev* 14: 270–291, 2011.
- 5551 864. **Weiner R.** Role of classic and peptide neuromediators in the neuroendocrine  
5552 regulation of LH and prolactin. In: *The Physiology of Reproduction*. New York:  
5553 Knobil, E and Neill, JH, 1988, p. 1235–1281.
- 5554 865. **Weinshenker D, Garriga G, Thomas JH.** Genetic and pharmacological analysis of  
5555 neurotransmitters controlling egg laying in *C. elegans*. *J Neurosci Off J Soc Neurosci*  
5556 15: 6975–6985, 1995.
- 5557 866. **Weltzien FA, Norberg B, Swanson P.** Isolation and characterization of FSH and LH  
5558 from pituitary glands of Atlantic halibut (*Hippoglossus hippoglossus* L.). *Gen Comp*  
5559 *Endocrinol* 131: 97–105, 2003.
- 5560 867. **Weppelman RM, Long RA, Van Iderstine A, Taylor JE, Tolman RL, Peterson L,**

- 5561 **Olson G.** Antifertility effects of dithiocarbamates in laying hens. *Biol Reprod* 23: 40–  
5562 46, 1980.
- 5563 868. **White RB, Eisen JA, Kasten TL, Fernald RD.** Second gene for gonadotropin-  
5564 releasing hormone in humans. *Proc Natl Acad Sci* 95: 305–309, 1998.
- 5565 869. **White RB, Fernald RD.** Genomic structure and expression sites of three  
5566 gonadotropin-releasing hormone genes in one species. *Gen Comp Endocrinol* 112: 17–  
5567 25, 1998.
- 5568 870. **White SA, Kasten TL, Bond CT, Adelman JP, Fernald RD.** Three gonadotropin-  
5569 releasing hormone genes in one organism suggest novel roles for an ancient peptide.  
5570 *Proc Natl Acad Sci* 92: 8363–8367, 1995.
- 5571 871. **Whitlock KE.** Origin and development of GnRH neurons. *Trends Endocrinol Metab*  
5572 16: 145–151, 2005.
- 5573 872. **Wigham T, Ball JN.** Proceedings: Evidence for dopaminergic inhibition of prolactin  
5574 secretion in the teleost *Poecilia latipinna*. *J Endocrinol* 63: 46P–47P, 1974.
- 5575 873. **Williams BL, Akazome Y, Oka Y, Eisthen HL.** Dynamic evolution of the GnRH  
5576 receptor gene family in vertebrates. *BMC Evol Biol* 14: 1–22, 2014.
- 5577 874. **Williams G.** Extrathyroidal expression of TSH receptor. *Ann Endocrinol* 72: 68–73,  
5578 2011.
- 5579 875. **Wilson CA.** Hypothalamic amines and the release of gonadotrophins and other anterior  
5580 pituitary hormones. *Adv Drug Res* 8: 119–204, 1974.
- 5581 876. **Witham EA, Meadows JD, Hoffmann HM, Shojaei S, Coss D, Kauffman AS,**  
5582 **Mellon PL.** Kisspeptin Regulates Gonadotropin Genes via Immediate Early Gene  
5583 Induction in Pituitary Gonadotropes. *Mol Endocrinol* 27: 1283–1294, 2013.
- 5584 877. **Wolfe A, Hussain MA.** The emerging role(s) for kisspeptin in metabolism in  
5585 mammals. *Front Endocrinol (Lausanne)* 9: 1–10, 2018.



- 5586 878. **Wong A, Murphy C, Chang J, Neumann C, Lo A, Peter R.** Direct actions of  
5587 serotonin on gonadotropin-II and growth hormone release from goldfish pituitary cells:  
5588 interactions with gonadotropin-releasing hormone and dopamine and further evaluation  
5589 of serotonin receptor specificity. *Fish Physiol Biochem* 19: 23–34, 1998.
- 5590 879. **Wong TT, Zohar Y.** Novel expression of gonadotropin subunit genes in oocytes of the  
5591 gilthead seabream (*Sparus aurata*). *Endocrinology* 145: 5210–5220, 2004.
- 5592 880. **Wray S.** From nose to brain: Development of gonadotrophin-releasing hormone -1  
5593 neurones. *J Neuroendocrinol* 22: 743–753, 2010.
- 5594 881. **Wray S, Grant P, Gainer H.** Evidence that cells expressing luteinizing hormone-  
5595 releasing hormone mRNA in the mouse are derived from progenitor cells in the  
5596 olfactory placode. *Proc Natl Acad Sci* 86: 8132–8136, 1989.
- 5597 882. **Wu F, Zhang X, Zhang W, Huang B, Liu Z, Hu C, Wang D.** Expression of three  
5598 gonadotropin subunits in Southern catfish gonad and their possible roles during early  
5599 gonadal development. *Comp Biochem Physiol - A Mol Integr Physiol* 153: 44–48,  
5600 2009.
- 5601 883. **Wu H, Lustbader JW, Liu Y, Canfield RE, Hendrickson WA.** Structure of human  
5602 chorionic gonadotropin at 2.6 Å resolution from MAD analysis of the selenomethionyl  
5603 protein. *Structure* 2: 545–558, 1994.
- 5604 884. **Wu J, Fu W, Huang Y, Ni Y.** Kisspeptin-10 advanced the initiation of egg-laying in  
5605 quails associated with the increase of triglyceride synthesis in liver. 26: 1–32, 2013.
- 5606 885. **Wu M, Dumalska I, Morozova E, Van Den Pol AN, Alreja M.** Gonadotropin  
5607 inhibitory hormone inhibits basal forebrain vGluT2-gonadotropin-releasing hormone  
5608 neurons via a direct postsynaptic mechanism. *J Physiol* 587: 1401–1411, 2009.
- 5609 886. **Wu S, Page L, Sherwood NM.** A role for GnRH in early brain regionalization and eye  
5610 development in zebrafish. *Mol Cell Endocrinol* 257–258: 47–64, 2006.

- 5611 887. **Xiao Y, Ni Y, Huang Y, Wu J, Grossmann R, Zhao R.** Effects of kisspeptin-10 on  
5612 progesterone secretion in cultured chicken ovarian granulosa cells from preovulatory  
5613 (F1-F3) follicles. *Peptides* 32: 2091–2097, 2011.
- 5614 888. **Xing Y, Myers R V., Cao D, Lin W, Jiang M, Bernard MP, Moyle WR.**  
5615 Glycoprotein hormone assembly in the endoplasmic reticulum: III. The seatbelt and its  
5616 latch site determine the assembly pathway. *J Biol Chem* 279: 35449–35457, 2004.
- 5617 889. **Xu B, Bergqvist CA, Sundström G, Lundell I, Vaudry H, Leprince J, Larhammar**  
5618 **D.** Characterization of peptide QRFP (26RFa) and its receptor from amphioxus,  
5619 *Branchiostoma floridae*. *Gen Comp Endocrinol* 210: 107–113, 2015.
- 5620 890. **Xu Q, Song Y, Liu R, Chen Y, Zhang Y, Li Y, Zhao W, Chang G, Chen G.** The  
5621 dopamine beta-hydroxylase gene in Chinese goose (*Anas cygnoides*): cloning,  
5622 characterization, and expression during the reproductive cycle. *Bmc Genet* 17: 48,  
5623 2016.
- 5624 891. **Yamamoto K, Fontaine R, Pasqualini C, Vernier P.** Classification of Dopamine  
5625 Receptor Genes in Vertebrates: Nine Subtypes in Osteichthyes. *Brain Behav Evol* 86:  
5626 164–175, 2015.
- 5627 892. **Yamamoto K, Mirabeau O, Bureau C, Blin M, Michon-Coudouel S, Demarque M,**  
5628 **Vernier P.** Evolution of dopamine receptor genes of the D1 class in vertebrates. *Mol*  
5629 *Biol Evol* 30: 833–843, 2013.
- 5630 893. **Yamamoto K, Ruuskanen J, Wullimann M, Vernier P.** Two tyrosine hydroxylase  
5631 genes in vertebrates New dopaminergic territories revealed in the zebrafish brain. *Mol*  
5632 *Cell Neurosci* 43: 394–402, 2010.
- 5633 894. **Yamamoto K, Vernier P.** The evolution of dopamine systems in chordates. *Front*  
5634 *Neuroanat* 5: 21, 2011.
- 5635 895. **Yang B, Jiang Q, Chan T, Ko WKW, Wong AOL.** Goldfish kisspeptin: Molecular

- 5636 cloning, tissue distribution of transcript expression, and stimulatory effects on  
5637 prolactin, growth hormone and luteinizing hormone secretion and gene expression via  
5638 direct actions at the pituitary level. *Gen Comp Endocrinol* 165: 60–71, 2010.
- 5639 896. **Yang H-YT, Fratta W, Majane EA, Costa E.** Characterization of Two Brain  
5640 Neuropeptides That Modulate the Action of Morphine. *Proc Natl Acad Sci U S A* 82:  
5641 7757–7761, 1985.
- 5642 897. **Yang P, Cheng Z, Watanabe G, Taya K.** Effects of third ventricle injection of  
5643 norepinephrine analogue on LH secretion of the non-laying SIJI goose. *Endocr J* 47:  
5644 7–12, 2000.
- 5645 898. **Yin H, Ukena K, Ubuka T, Tsutsui K.** A novel G protein-coupled receptor for  
5646 gonadotropin-inhibitory hormone in the Japanese quail (*Coturnix japonica*):  
5647 Identification, expression and binding activity. *J Endocrinol* 184: 257–266, 2005.
- 5648 899. **Di Yorio MP, Pérez Sirkin DI, Delgadin TH, Shimizu A, Tsutsui K, Somoza GM,**  
5649 **Vissio PG.** Gonadotrophin-Inhibitory Hormone in the Cichlid Fish *Cichlasoma*  
5650 dimerus: Structure, Brain Distribution and Differential Effects on the Secretion of  
5651 Gonadotrophins and Growth Hormone. *J Neuroendocrinol* 28, 2016.
- 5652 900. **Yoshida H, Habata Y, Hosoya M, Kawamata Y, Kitada C, Hinuma S.** Molecular  
5653 properties of endogenous RFamide-related peptide-3 and its interaction with receptors.  
5654 *Biochim Biophys Acta - Mol Cell Res* 1593: 151–157, 2003.
- 5655 901. **Yu KL, Peter R.** Dopaminergic regulation of brain gonadotropin-releasing hormone in  
5656 male goldfish during spawning behavior. *Neuroendocrinology* 52: 276–283, 1990.
- 5657 902. **Yu KL, Rosenblum PM, Peter RE.** In vitro release of gonadotropin-releasing  
5658 hormone from the brain preoptic-anterior hypothalamic region and pituitary of female  
5659 goldfish. *Gen Comp Endocrinol* 81: 256–267, 1991.
- 5660 903. **Yun S, Furlong M, Sim M, Cho M, Park S, Cho EB, Reyes-Alcaraz A, Hwang JI,**

- 5661 **Kim J, Seong JY.** Prevertebrate local gene duplication facilitated expansion of the  
5662 neuropeptide GPCR superfamily. *Mol Biol Evol* 32: 2803–2817, 2015.
- 5663 904. **Yun S, Kim DK, Furlong M, Hwang JI, Vaudry H, Seong JY.** Does kisspeptin  
5664 belong to the proposed RF-amide peptide family? *Front Endocrinol (Lausanne)* 5: 22–  
5665 26, 2014.
- 5666 905. **Zandawala M, Tian S, Elphick MR.** The evolution and nomenclature of GnRH-type  
5667 and corazonin-type neuropeptide signaling systems. *Gen Comp Endocrinol* 264: 64–77,  
5668 2018.
- 5669 906. **van Zeijl CJJ, Surovtseva O V., Kwakkel J, van Beeren HC, Duncan Bassett JH,**  
5670 **Williams GR, Wiersinga WM, Fliers E, Boelen A.** Thyrostimulin deficiency does  
5671 not alter peripheral responses to acute inflammation-induced nonthyroidal illness. *AJP*  
5672 *Endocrinol Metab* 307: E527–E537, 2014.
- 5673 907. **van Zeijl CJJ, Surovtseva O V., Wiersinga WM, Boelen A, Fliers E.** Transient  
5674 hypothyroxinemia in juvenile glycoprotein hormone subunit B5 knock-out mice. *Mol*  
5675 *Cell Endocrinol* 321: 231–238, 2010.
- 5676 908. **Zhang F-P, Poutanen M, Wilbertz J, Huhtaniemi I.** Normal Prenatal but Arrested  
5677 Postnatal Sexual Development of Luteinizing Hormone Receptor Knockout (LuRKO)  
5678 Mice. *Mol Endocrinol* 15: 172–183, 2001.
- 5679 909. **Zhang F-P, Rannikko A, Huhtaniemi I.** Isolation and characterization of testis-  
5680 specific cDNAs for luteinizing hormone beta-subunit in the rat. *Biochem Biophys Res*  
5681 *Commun* 210: 858–865, 1995.
- 5682 910. **Zhang F, Markkula M, Toppari J, Huhtaniemi I.** Novel expression of luteinizing  
5683 hormone subunit genes in the rat testis. *Endocrinology* 136: 2904–2912, 1995.
- 5684 911. **Zhang H, Zhang B, Qin G, Li S, Lin Q.** The Roles of the Kisspeptin System in the  
5685 Reproductive Physiology of the Lined Seahorse (*Hippocampus erectus*), an

- 5686 Ovoviviparous Fish With Male Pregnancy. *Front Neurosci* 12: 1–13, 2018.
- 5687 912. **Zhang L, Tello JA, Zhang W, Tsai PS.** Molecular cloning, expression pattern, and  
5688 immunocytochemical localization of a gonadotropin-releasing hormone-like molecule  
5689 in the gastropod mollusk, *Aplysia californica*. *Gen Comp Endocrinol* 156: 201–209,  
5690 2008.
- 5691 913. **Zhang Y, Li S, Liu Y, Lu D, Chen H, Huang X, Liu X, Meng Z, Lin H, Cheng**  
5692 **CHK.** Structural diversity of the gnih/gnih receptor system in teleost: Its involvement  
5693 in early development and the negative control of LH release. *Peptides* 31: 1034–1043,  
5694 2010.
- 5695 914. **Zhao S, Zhu E, Yang C, Bentley GE, Tsutsui K, Kriegsfeld LJ.** RFamide-related  
5696 peptide and messenger ribonucleic acid expression in mammalian testis: Association  
5697 with the Spermatogenic cycle. *Endocrinology* 151: 617–627, 2010.
- 5698 915. **Zhao Y, Lin MCA, Mock A, Yang M, Wayne NL.** Kisspeptins modulate the biology  
5699 of multiple populations of gonadotropin-releasing hormone neurons during  
5700 embryogenesis and adulthood in zebrafish (*Danio rerio*). *PLoS One* 9: 1–10, 2014.
- 5701 916. **Zheng L, Su J, Fang R, Jin M, Lei Z, Hou Y, Ma Z, Guo T.** Developmental changes  
5702 in the role of gonadotropin-inhibitory hormone (GnIH) and its receptors in the  
5703 reproductive axis of male Xiaomeishan pigs. *Anim Reprod Sci* 154: 113–120, 2015.
- 5704 917. **Zhu J, Xu X, Knight G, He C, Burnstock G, Xiang Z.** A subpopulation of  
5705 gonadotropin-releasing hormone neurons in the adult mouse forebrain is  $\gamma$ -  
5706 Aminobutyric acidergic. *J Neurosci Res* 93: 1611–1621, 2015.
- 5707 918. **Zmora N, Stubblefield J, Golan M, Servili A, Levavi-Sivan B, Zohar Y.** The  
5708 medio-basal hypothalamus as a dynamic and plastic reproduction-related kisspeptin-  
5709 gnrh-pituitary center in fish. *Endocrinology* 155: 1874–1886, 2014.
- 5710 919. **Zmora N, Stubblefield J, Zulperi Z, Biran J, Levavi-Sivan B, Muñoz-Cueto JA,**

- 5711 **Zohar Y.** Differential and Gonad Stage-Dependent Roles of Kisspeptin1 and  
5712 Kisspeptin2 in Reproduction in the Modern Teleosts, Morone Species1. *Biol Reprod*  
5713 86: 1–12, 2012.
- 5714 920. **Zmora N, Stubblefield JD, Wong T-T, Levavi-Sivan B, Millar RP, Zohar Y.**  
5715 Kisspeptin Antagonists Reveal Kisspeptin 1 and Kisspeptin 2 Differential Regulation  
5716 of Reproduction in the Teleost, Morone saxatilis1. *Biol Reprod* 93: 1–12, 2015.
- 5717 921. **Zohar Y, Muñoz-Cueto J, Elizur A, Kah O.** Neuroendocrinology of reproduction in  
5718 teleost fish. *Gen Comp Endocrinol* 165: 438–455, 2010.

5719  
5720

## 5721 **Figure Legends**

5722 **Figure 1. Neuroendocrine control of reproduction in mammals: the brain-pituitary-**  
5723 **gonad axis.** Internal and environmental factors are integrated at the brain level and modulate  
5724 the activity of gonadotropin-releasing hormone (GnRH) neurons. GnRH is released in the  
5725 hypophyseal portal vessel system and controls the production of pituitary gonadotropins,  
5726 follicle stimulating hormone (FSH) and luteinizing hormone (LH), which in turn control  
5727 gonad activity. A variety of neuromediators, peptidic and non-peptidic, are also involved in  
5728 the control of GnRH and gonadotropins, such as Kisspeptin (Kiss), gonadotropin-inhibiting  
5729 hormone (GnIH), dopamine (DA), norepinephrine (NE), serotonin (or 5-hydroxytryptamine  
5730 5-HT), Histamine (HA), gamma-aminobutyric acid (GABA). The pituitary gland, as a relay  
5731 between brain neurons and peripheral glands is considered as a vertebrate innovation.

5732

## 5733 **Figure 2. Vertebrate phylogeny with a special focus on whole genome duplications.**

5734 Two rounds (1R and 2R) of whole genome duplication (WGD) occurred at the basis of the  
5735 vertebrate lineage. Whether the 2nd round occurred before or after (dotted line) the emergence

5736 of the cyclostome lineage is still under debate. A third round (3R) of WGD occurred  
5737 specifically in the teleost lineage, and is also referred to as TWGD (teleost-specific whole  
5738 genome duplication). Human belong to mammalian, amniote, tetrapod, sarcopterygian  
5739 lineages. Coelacanth is a representative species of basal sarcopterygians. Actinopterygians are  
5740 the sister clade of sarcopterygians.

5741

5742 **Figure 3. Metazoan phylogeny.**

5743 Human belong to the vertebrate, chordate, deuterostome, bilateria lineages. Urochordates are  
5744 considered as the sister clade of vertebrates. Among bilateria, protostomes are the sister clade  
5745 of deuterostomes. The most consensual classifications of protostomes distinguish two sister  
5746 clades, lophotrochozoa and ecdysozoa. Cnidaria represent one of the basic groups of metazoa.

5747

5748 **Figure 4. Schematic representation of the glycoprotein hormone (GpH)  $\alpha$  and  $\beta$  subunits  
5749 and comparison with predicted GPA2 and GPB5 structures.**

5750 Amino acids are represented by circles. Glycosylation chains are represented by Y shape sign.  
5751 Position of intron splicing sites is indicated by V shape sign. The disulfide bonds are  
5752 symbolized by bars, red bars between red circles for those responsible for the cystine-knot  
5753 structure and in grey for the additional ones. The conserved cysteine residues are numbered.  
5754 Location of the  $\beta$  strands ( $\beta$ 1-  $\beta$ 4) and loops (L1-L3) is indicated.

5755

5756 **Figure 5. Schematic representation of the gene duplication, genome duplication and  
5757 gene loss events leading to the extant repertoire of glycoprotein hormone subunit related  
5758 genes in vertebrates.**

5759 1R, 2R: first and second rounds of whole genome duplication in early vertebrates; 3R: third  
5760 round of whole genome duplication in early teleosts. 1\* The GPA2-GPB5(a) tandem was

5761 maintained in teleosts and basal sarcopterygian (coelacanth). GPB5a was lost in tetrapods. 2\*  
5762 Thyrotropin  $\beta$ 2 subunit (TSH $\beta$ 2) was maintained in basal sarcopterygians (coelacanth,  
5763 lungfish) and chondrichthyes but lost in teleosts and tetrapods. 3\* The LH $\beta$  subunit encoding  
5764 gene was duplicated in primates to generate several copies of the chorionic gonadotropin  $\beta$   
5765 (CG $\beta$ ) subunit genes. 4\* After 3R, except for the TSH $\beta$ 1 subunit, only one of the duplicated  
5766 glycoprotein hormone related genes was conserved. 5\* Some teleosts may have two copies of  
5767 the GPH $\alpha$  subunit resulting from recent, specific tetraploidization events.

5768

5769 **Figure 6. Evolutionary scenario of the GnRH family in vertebrates** (adapted from (219)).

5770 Anc GnRH: ancestral gonadotropin-releasing hormone gene. 1R, 2R: first and second rounds  
5771 of whole genome duplication in early vertebrates; 3R: third round of whole genome  
5772 duplication in early teleosts. Black cross: gene loss. Red arrow: local gene duplication.

5773

5774 **Figure 7. Evolutionary scenario of the GnRH receptor family in vertebrates** (adapted  
5775 from (644)).

5776 Anc GnRHR: ancestral gonadotropin-releasing hormone receptor gene. 1R, 2R: first and  
5777 second rounds of whole genome duplication in early vertebrates; 3R: third round of whole  
5778 genome duplication in early teleosts. Black cross: gene loss. Red arrow: local gene  
5779 duplication.

5780

5781 **Figure 8. Two evolutionary scenarios of the GnRH-like systems in bilaterians** (adapted  
5782 from (654)).

5783 Anc: ancestral; GnRH: Gonadotropin-releasing hormone; CRZ: corazonin. AKH:  
5784 adipokinetic hormone; ACP: AKH/corazonin-related peptide. Black cross: gene loss. Red  
5785 arrow: local gene duplication.



5786

5787 **Figure 9. Evolutionary relationships between RF-amide and non RF-amide peptide**  
5788 **families.**

5789 RF-amide peptides are encoded by 5 distinct genes in mammals, which have been named by  
5790 Dockray (153) *farp-1* to 5, based on the chronology of their discoveries. Various  
5791 nomenclatures are used according to authors and phyla such as: Neuropeptide F (NPFF) or  
5792 PQRF for *farp-1*; Prolactin-releasing peptide (PrRP) for *farp-2*; Gonadotropin-inhibiting  
5793 hormone (GnIH) or Neuropeptide VF (NPVF) or LPXFR for *farp-3*; Kiss for *farp-4*; QRFP or  
5794 26RF for *farp-5*.

5795 The figure displays some current hypotheses on their evolutionary relationships (for reviews:  
5796 (359, 567, 807, 904)):

5797 NPFF (*farp-1*) and GnIH (*farp-3*) would be the closest related RF-amide peptide families,  
5798 likely having a common PQRF ancestor and resulting from one of the two rounds of whole  
5799 genome duplication (1R/2R WGD) that occurred in early vertebrates.

5800 QRFP (*farp-5*) would be related to NPFF (*farp-1*) and GnIH (*farp-3*) families *via* a local gene  
5801 duplication of their common ancestor, before the WGD duplication of NPFF and GnIH.

5802 PrRP (*farp-2*) and Kiss (*farp-4*) would be more related to non RF-amide peptide families than  
5803 to the other RF-amide peptide families: PrRP to neuropeptide Y (NPY) and QRFP to galanin  
5804 and spexin, *via* local gene duplications, respectively.

5805

5806 **Figure 10. Evolutionary scenario of the Kiss family in vertebrates** (adapted from (587)).

5807 Anc Kiss: ancestral Kisseptin gene. 1R, 2R: first and second rounds of whole genome  
5808 duplication in early vertebrates; 3R: third round of whole genome duplication in early  
5809 teleosts. Black cross: gene loss.

5810

5811 **Figure 11. Evolutionary scenario of the Kiss receptor family in vertebrates** (adapted from  
5812 (587)).

5813 Anc KissR: ancestral Kisseptin receptor gene. 1R, 2R: first and second rounds of whole  
5814 genome duplication in early vertebrates; 3R: third round of whole genome duplication in early  
5815 teleosts. Black cross: gene loss.

5816

5817 **Figure 12. Ancient origin of neuromediators involved in the neuroendocrine control of**  
5818 **reproduction.**

5819 Various neuromediators such as Dopamine (DA), norepinephrine (NE), serotonin (or 5-  
5820 hydrotryptamine, 5-HT), histamine (HA), gamma-aminobutyric acid (GABA) are involved in  
5821 the brain control of reproduction in mammals. Their presence in other vertebrates, in other  
5822 deuterostomes, in protosomes and in cnidaria (non-bilatera), suggests an ancient origin in  
5823 metazoa. They may also have exerted an early role in reproduction in metazoa. Straight  
5824 letters: neuromediator with a reported role in the control of reproduction. Italic letters with  
5825 question mark: neuromediator present but no information on its putative role in reproduction.

5826

5827 **Figure 13. Schematic drawing of the origin of some major actors of the brain-pituitary**  
5828 **control of mammalian reproduction.**

5829 The pituitary gland is a vertebrate innovation ensuring the relay between the brain and  
5830 peripheral glands and target organs. Molecular families of the various actors of the vertebrate  
5831 brain-pituitary reproductive neuroendocrine axis have an ancient origin, largely preceding the  
5832 emergence of the vertebrate lineage. Local and whole genome duplications in vertebrates  
5833 contributed to the diversification of the Kiss and GnRH (Gonadotropin-releasing hormone)  
5834 systems and of the glycoprotein (GP) hormones, pituitary gonadotropins FSH and LH, and  
5835 chorionic gonadotropin CG. 1R, 2R: first and second rounds of whole genome duplication in

5836 early vertebrates; 3R: third round of whole genome duplication in early teleosts. Red bar:

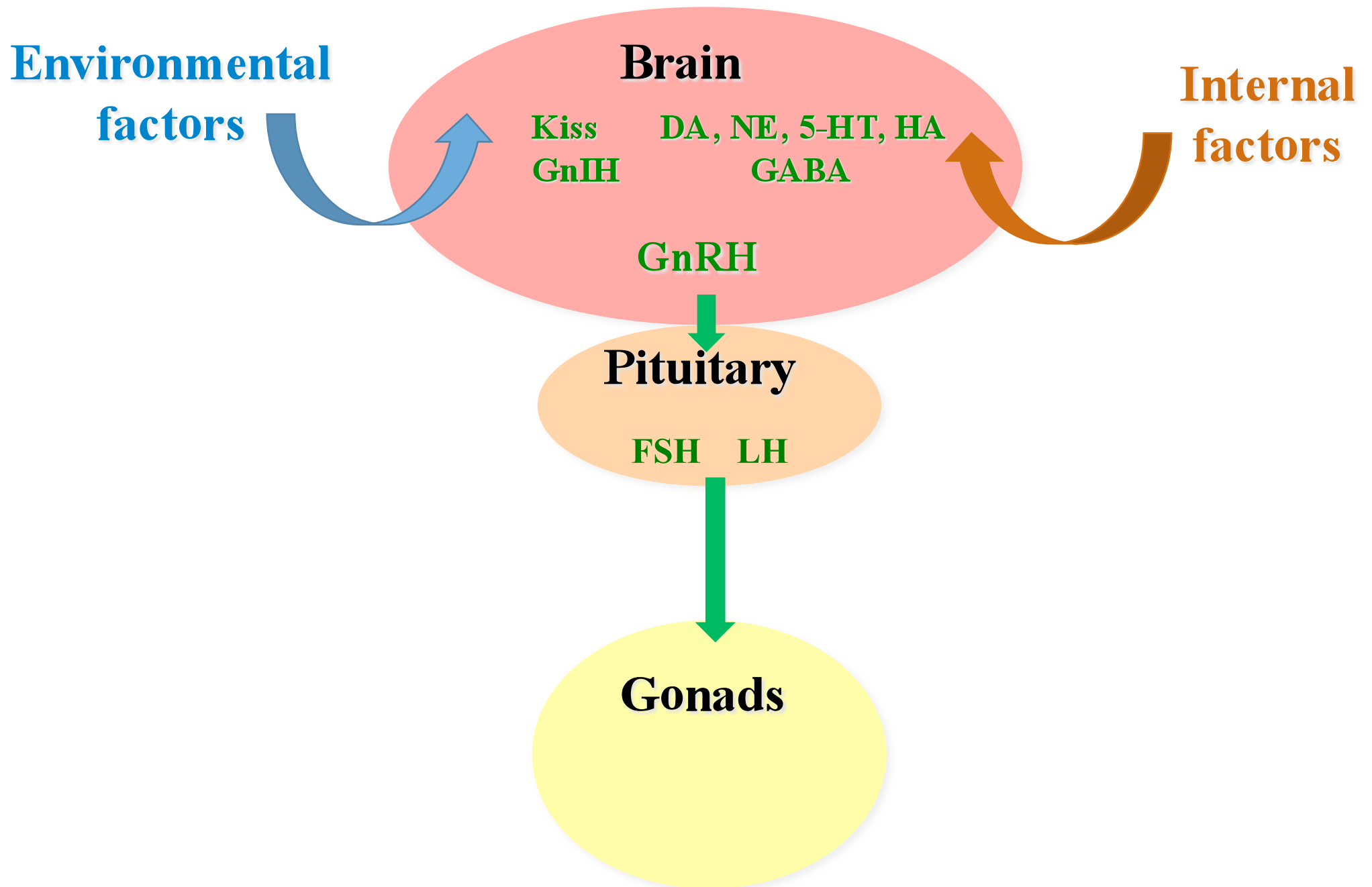
5837 local gene duplication.

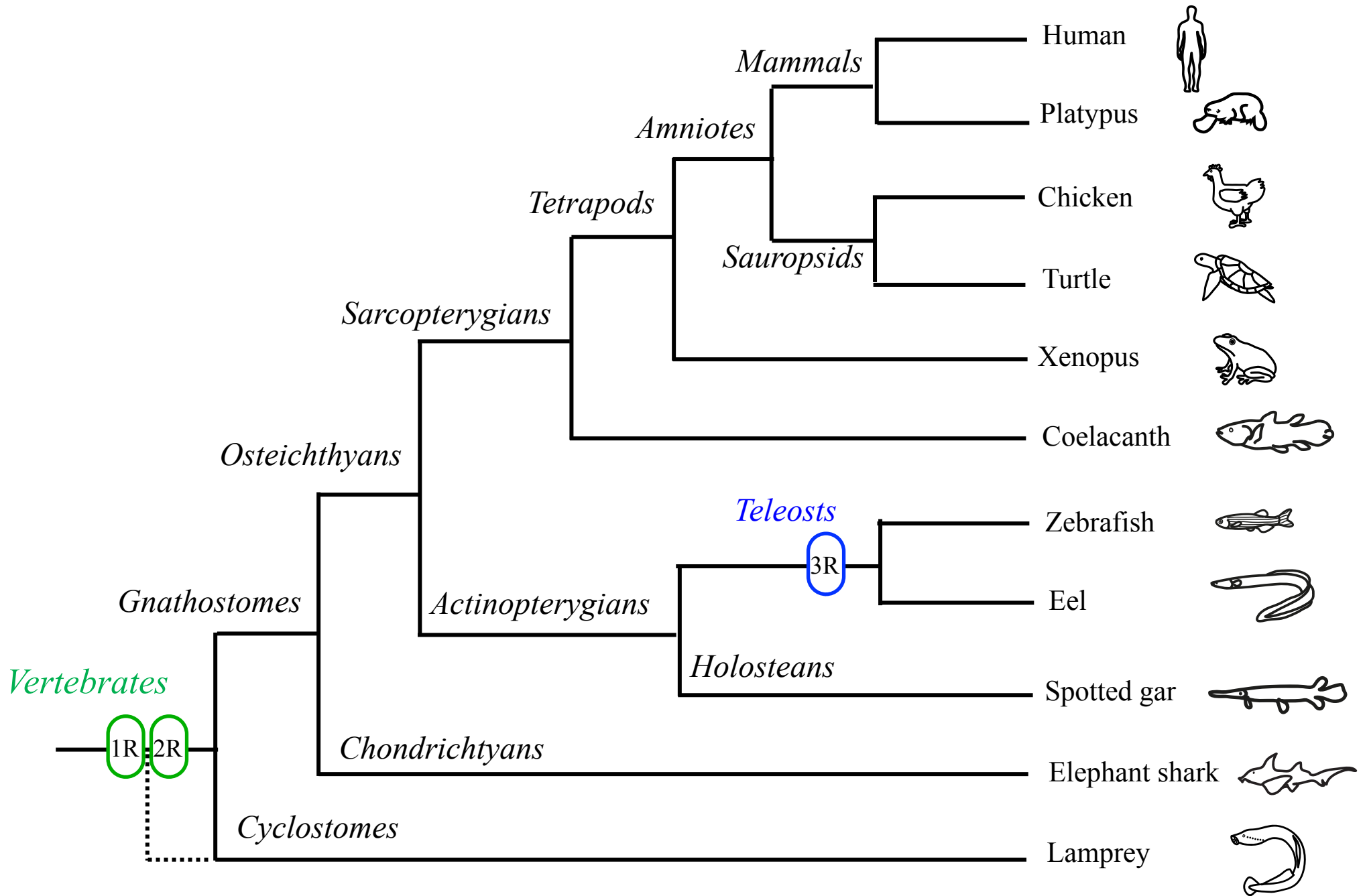
5838

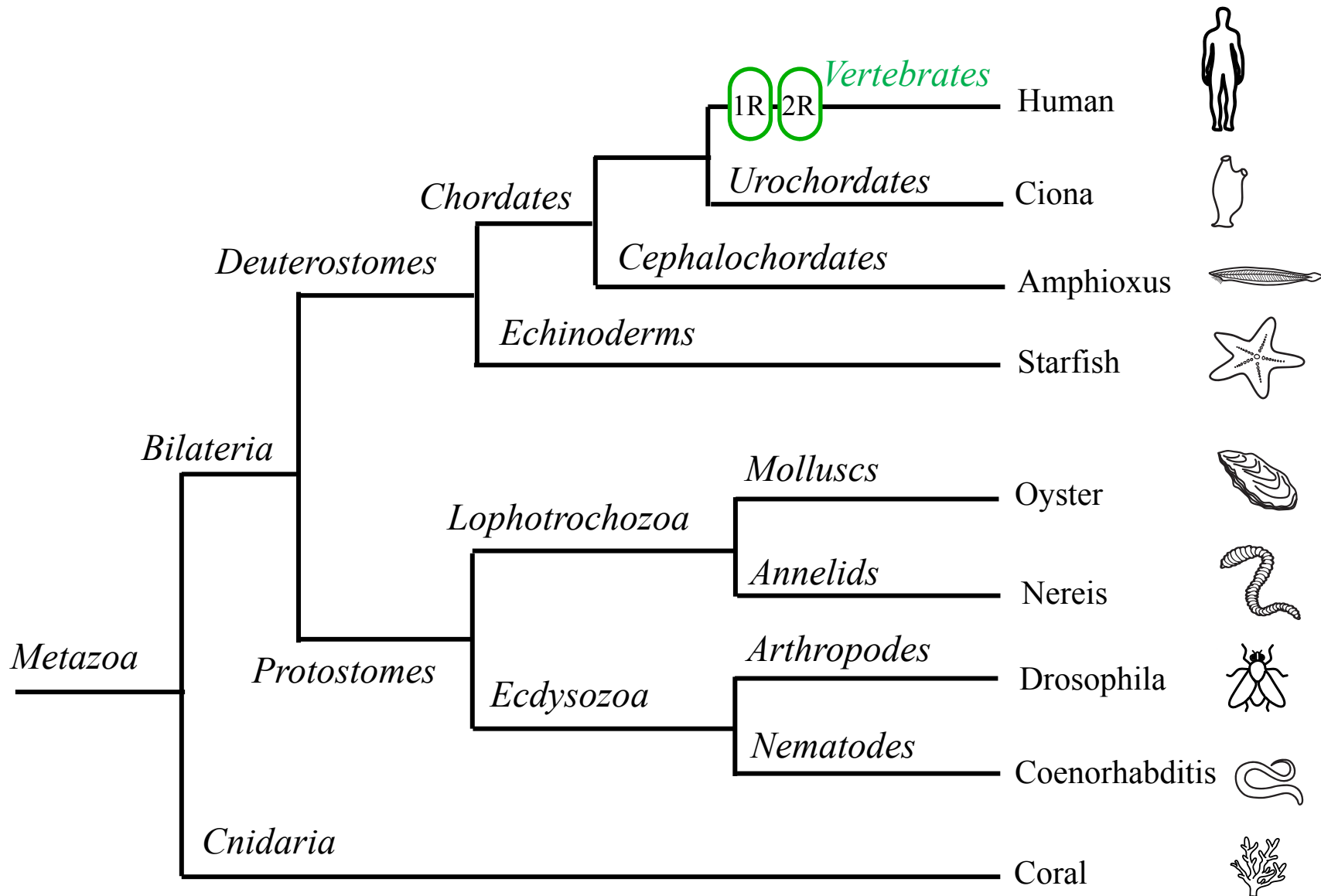
5839 **Table legends**

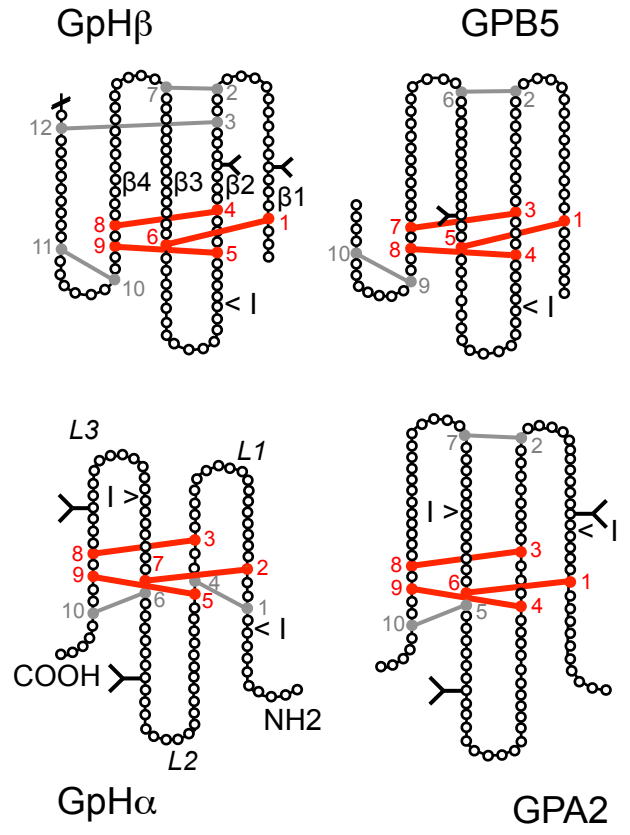
5840 **Table 1. Sequences of GnRH-like peptides**

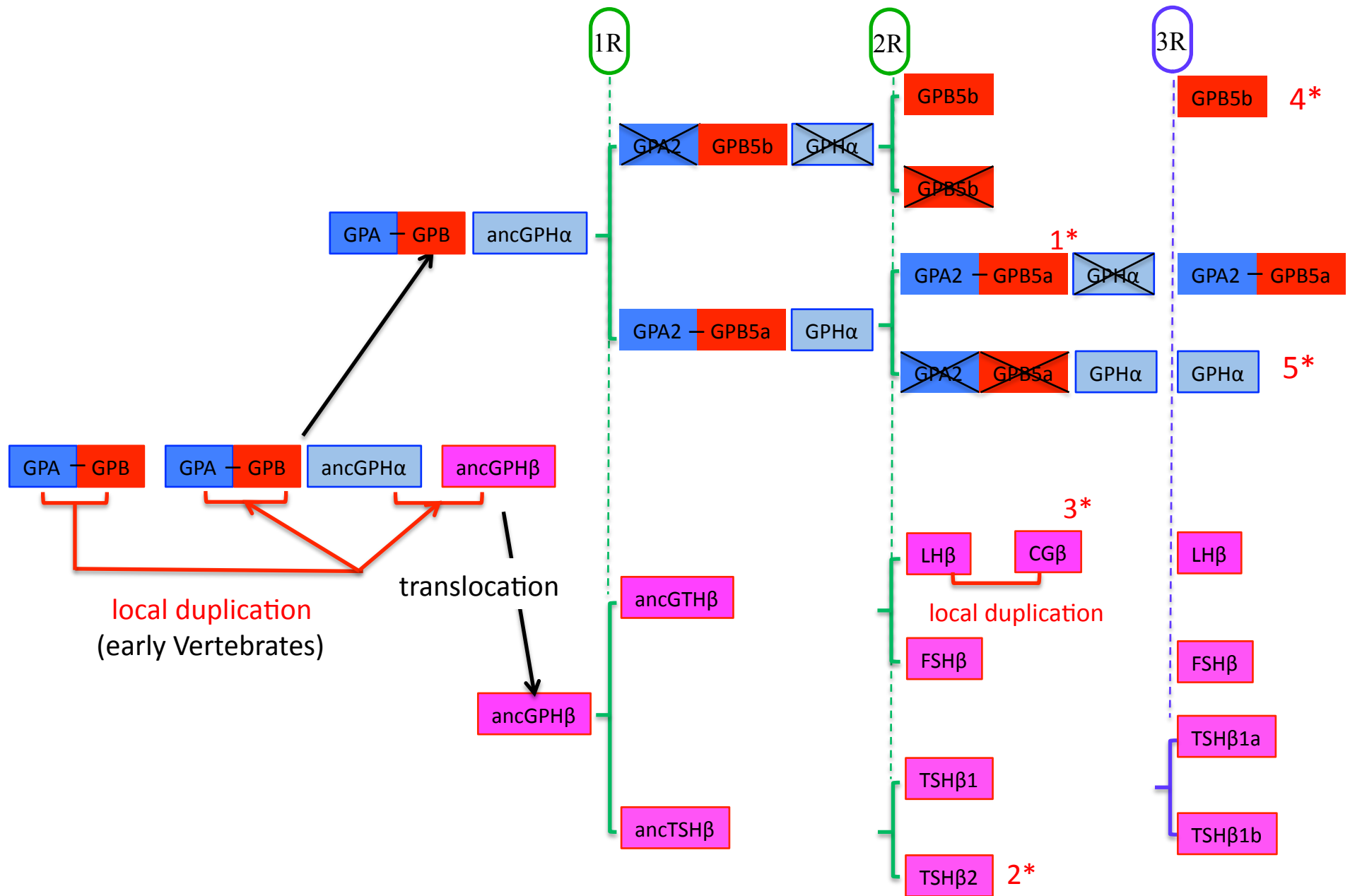
5841



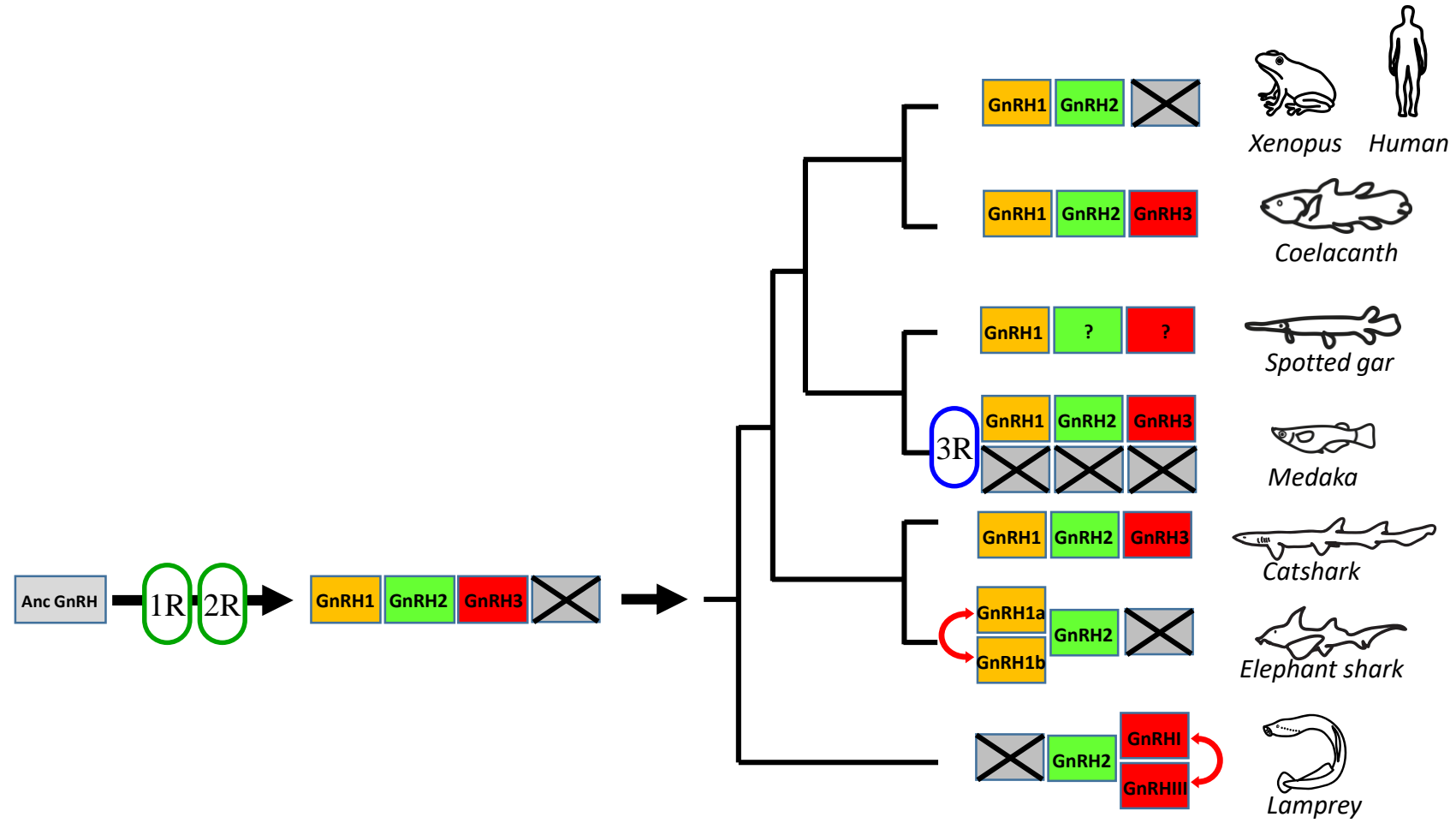


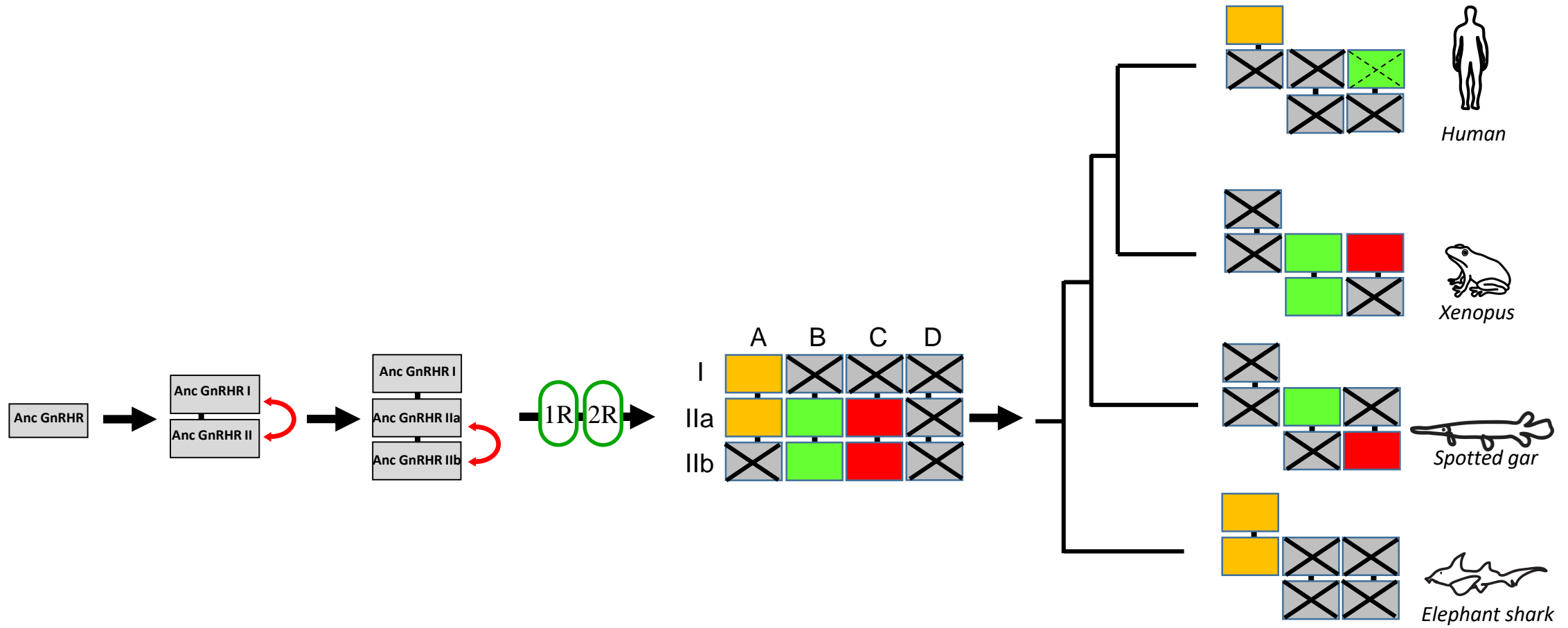


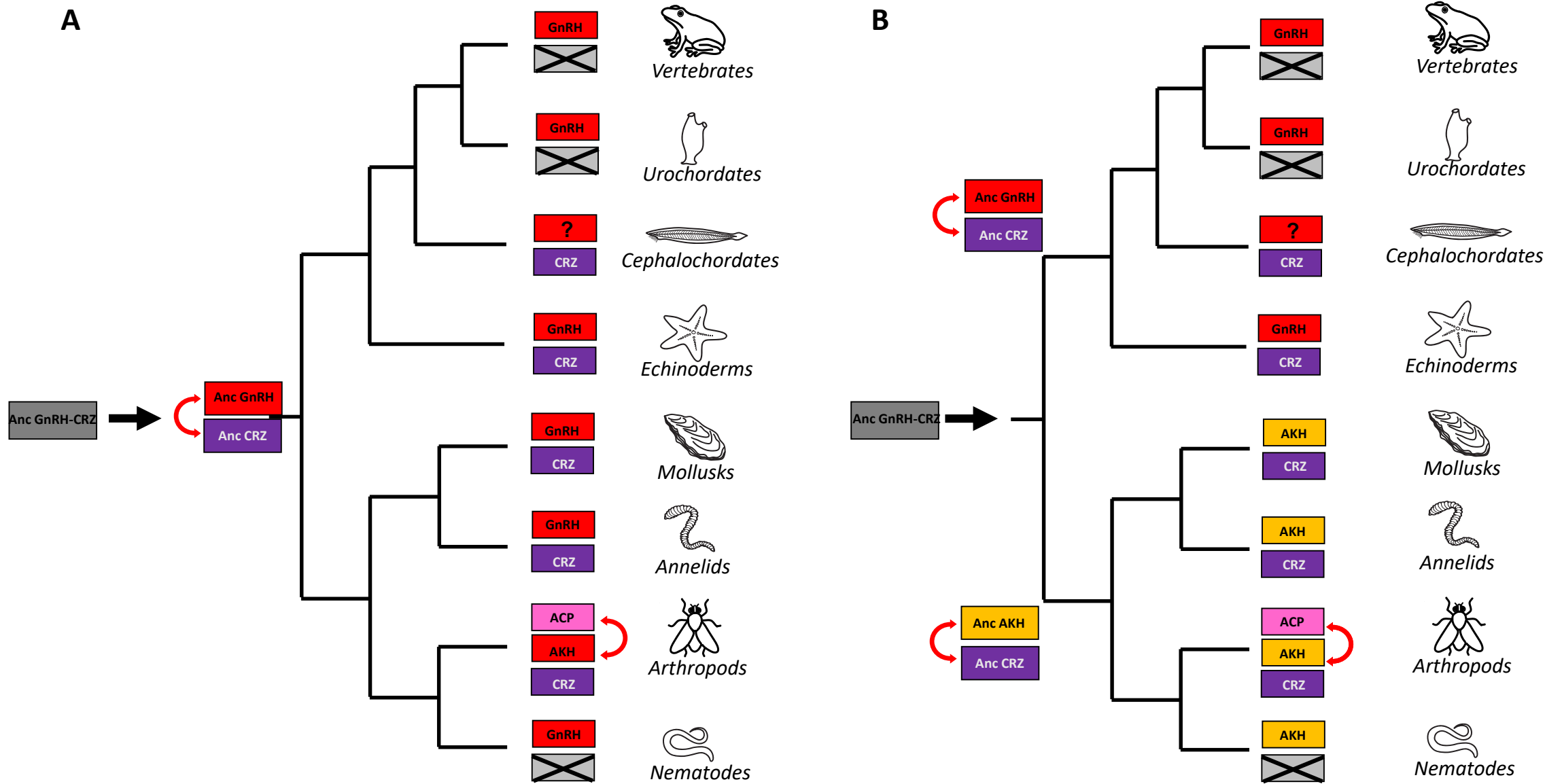






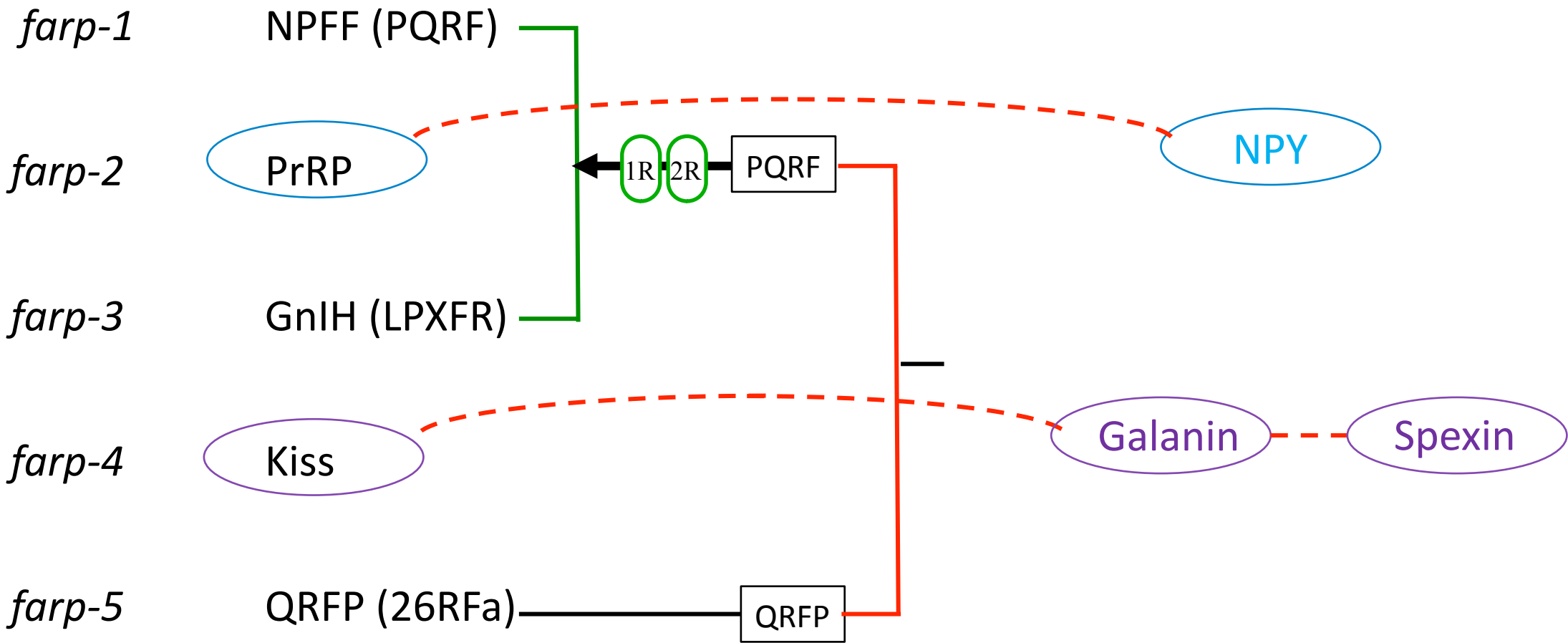


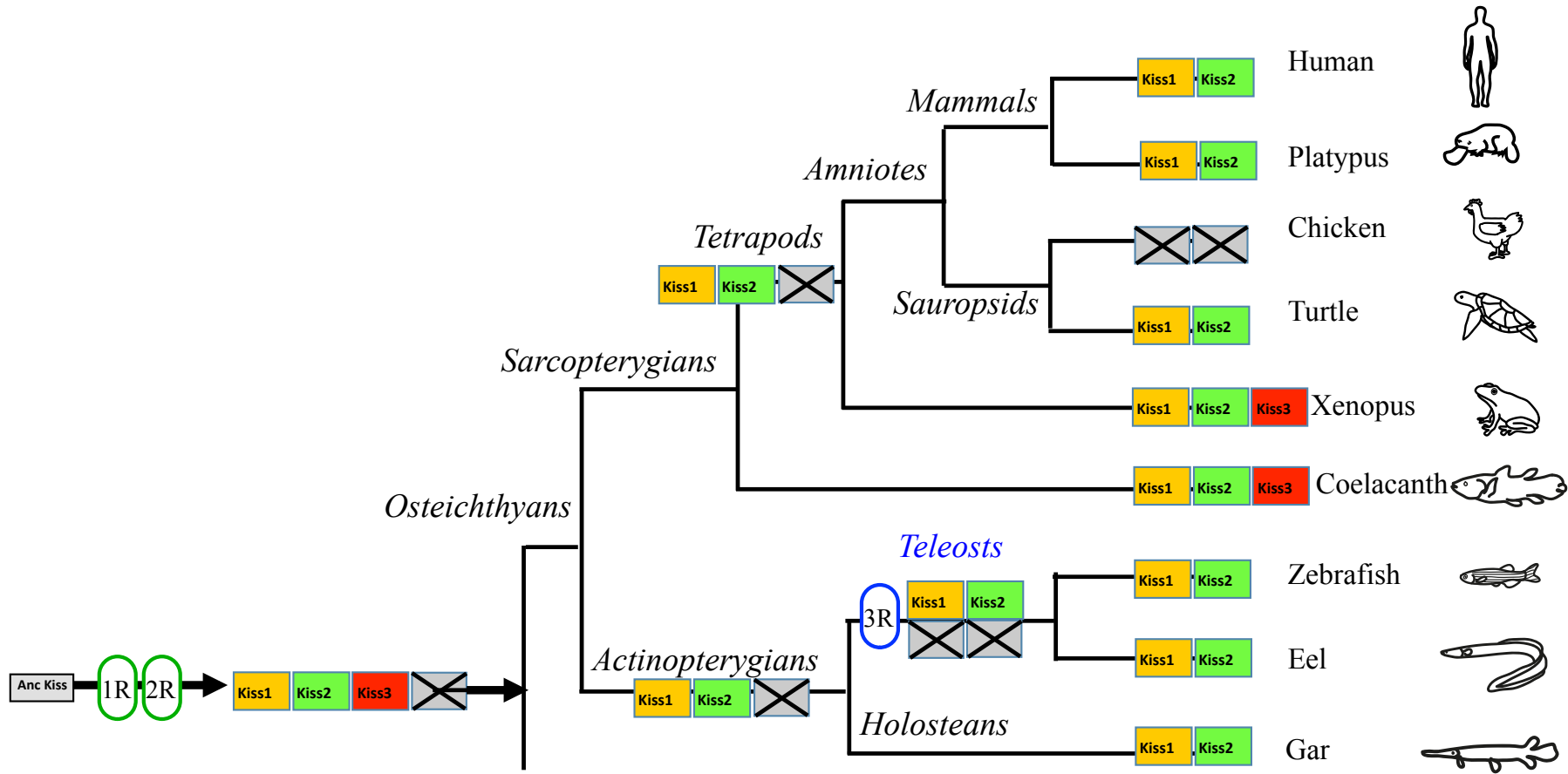


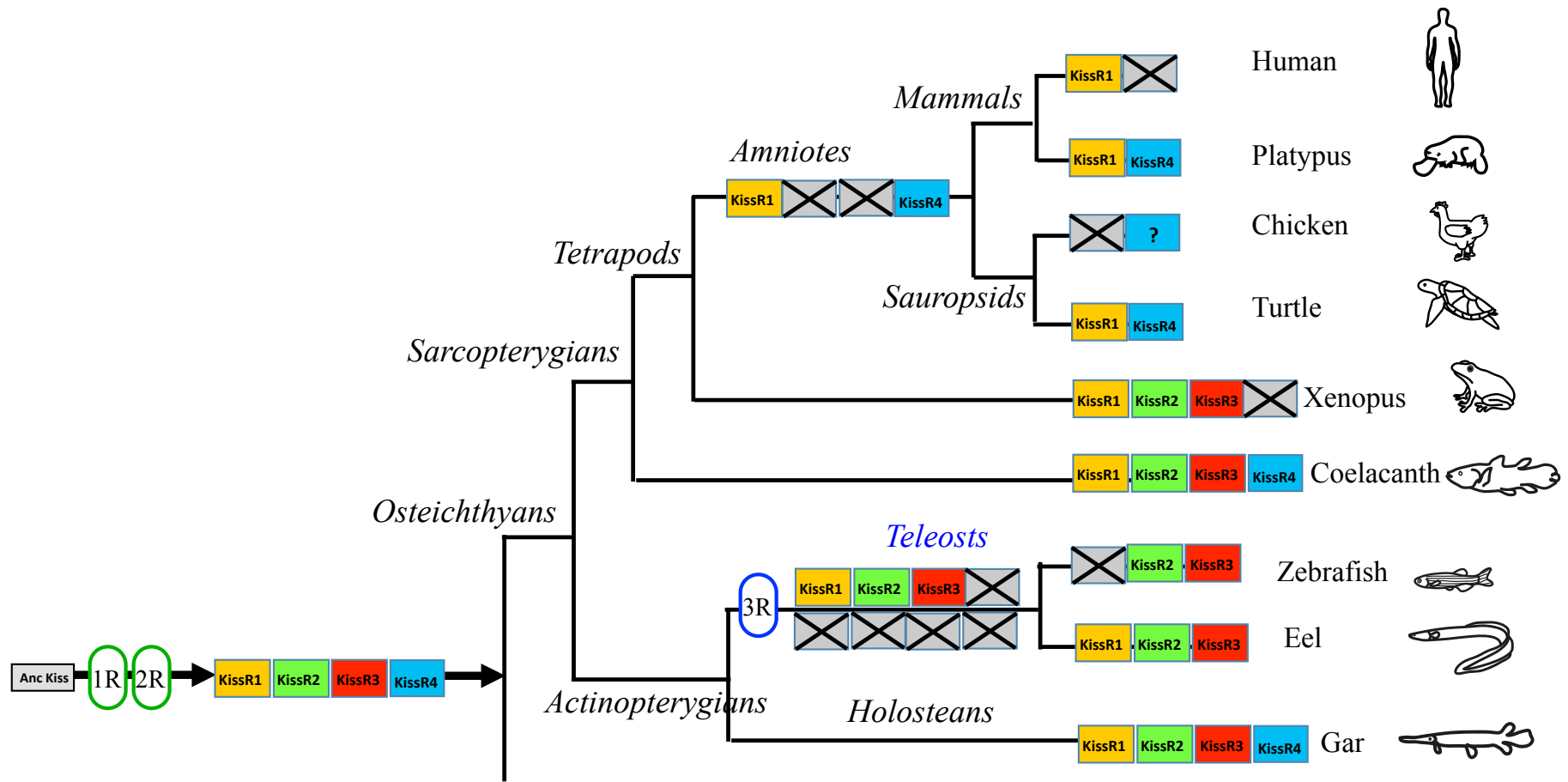


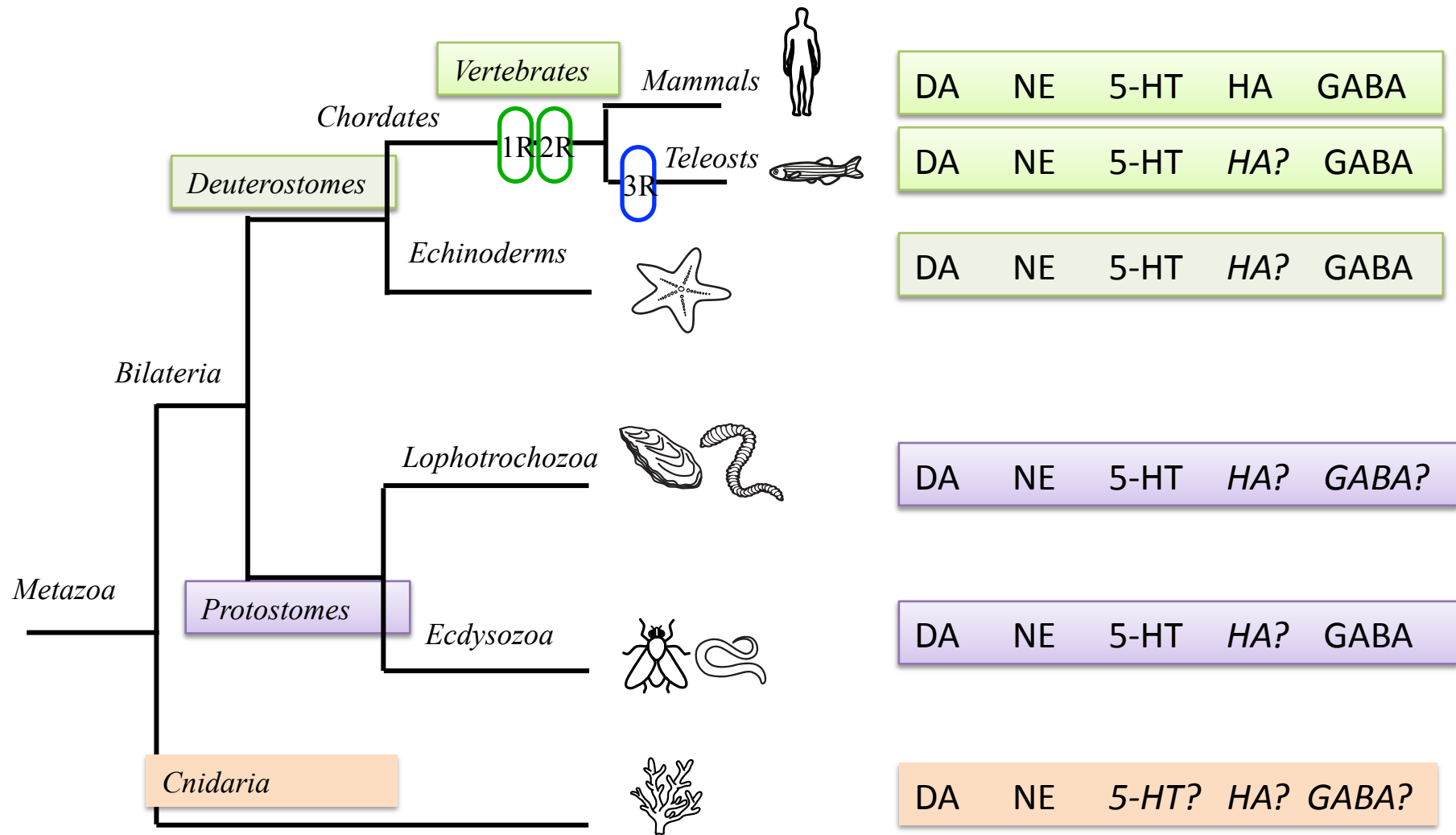
# RF-amide peptide families

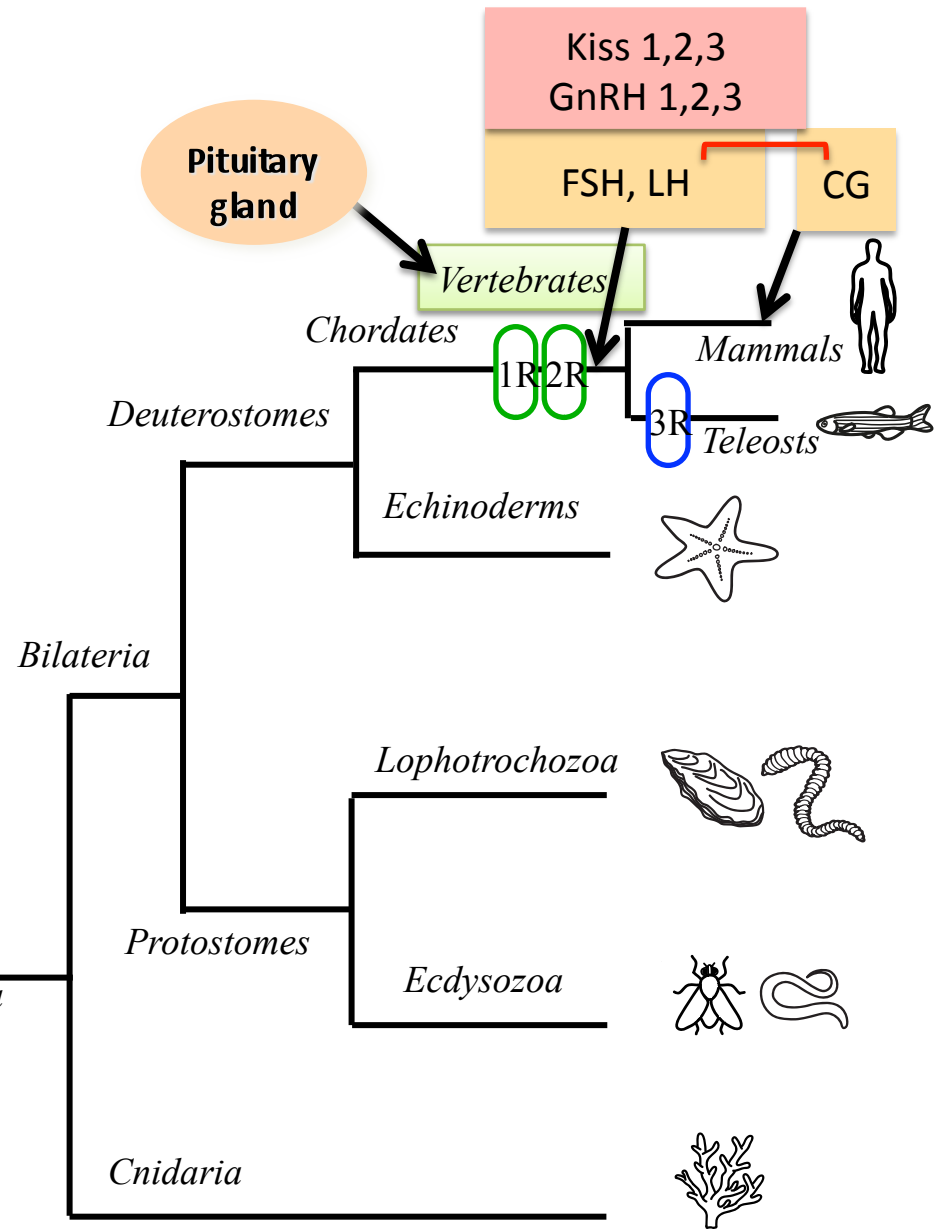
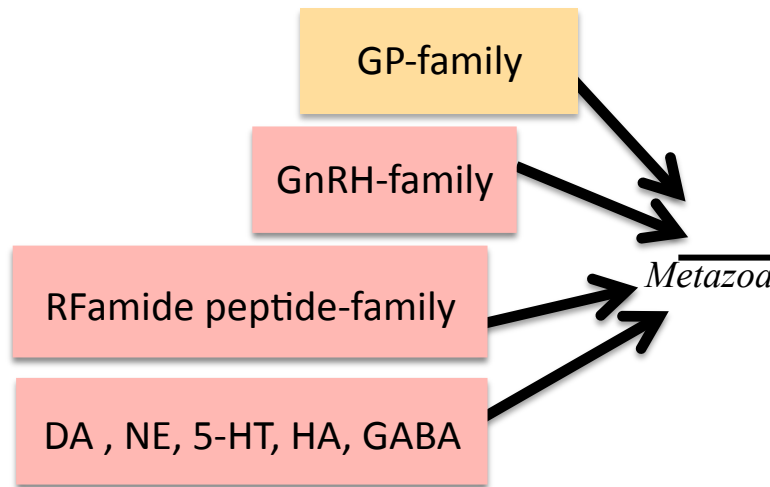
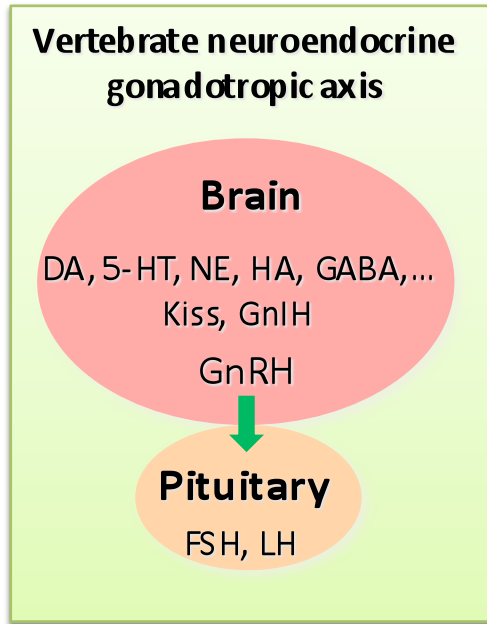
# non RF-amide peptide families













	Sequences	Species	Original name	Revised name according to 905
<b>Vertebrate GnRHs</b>				
GnRH1	pQHWSYGLRPGa	most mammals	mGnRH	
	pQHWSYGVVPPGa	Guinea pig	gpGnRH	
	pQHWSYGLQPPGa	Chicken	cGnRH-I	
	pQHWSYGLWPPGa	Frog	frGnRH	
	pQHWSYGLSPGa	Sea bream	sbGnRH	
	pQHWSFGLSPGa	Medaka	mdGnRH	
	pQHWSHGLSPGa	Herring	hgGnRH	
	pQHWSHGLNPPGa	Catfish	cfGnRH	
	pQHWSYGMNPPGa	Whitefish	whGnRH	
GnRH2	pQHWSHGWPYPGa	Chicken	cGnRH-II	
	pQHWSHGWFPPGa	Lamprey	lGnRH-II	
GnRH3	pQHWSYGWLPGa	Salmon	sGnRH	
	pQHWSHGWLPPGa	dogfish (catshark)	df-GnRH	
	pQHYSLEWKPPGa	Lamprey	lGnRH-I	
	pQHWSHDWKPPGa	Lamprey	lGnRH-III	
<b>Tunicate GnRHs</b>				
	pQHWSDYFKPPGa	<i>Chelysoma</i>	tGnRH-1	
	pQHWSLCHAPGa	<i>Chelysoma</i>	tGnRH-2	
	pQHWSYEFMPGa	<i>Ciona</i>	tGnRH-3	
	pQHWSNQLTPGa	<i>Ciona</i>	tGnRH-4	
	pQHWSYFYMPGa	<i>Ciona</i>	tGnRH-5	
	pQHWSKGYSPGa	<i>Ciona</i>	tGnRH-6	
	pQHWSYALSPGa	<i>Ciona</i>	tGnRH-7	
	pQHWSLALSPGa	<i>Ciona</i>	tGnRH-8	
	pQHWSNKLAPGa	<i>Ciona</i>	tGnRH-9	
	pQHWSYGFSPGa	<i>Halocynthia</i>	tGnRH-10	
	pQHWSYGFLPPGa	<i>Halocynthia</i>	tGnRH-11	
<b>Cephalochordate GnRHs</b>				
	pQILCARAFTYTHTWa	Amphioxus	AmphGnRH	CRZ
	pQEHWQYGHWYa	Amphioxus	AmphGnRH-v	?

**Hemichordate CRZ**

pQPHFSLKDRYRWKPa	Acorn worm	skCRZ-like
------------------	------------	------------

**Echinoderm GnRHs**

pQVHHRFSGWRPGa	Sea urchin	SpGnRH
----------------	------------	--------

pQIHYNPFGWGPGa	Starfish	ArGnRH
----------------	----------	--------

**Echinoderm CRZs**

HNTFSFKGRSRYFPa	Sea urchin	SpCRZ
-----------------	------------	-------

HNTFTMGQNRWKAGa	Starfish	ArCRZ
-----------------	----------	-------

**Nematode AKH-GnRH**

pQ MTFTDQWa	<i>Caenorhabditis</i>	CeAHK-GnRH
-------------	-----------------------	------------

**Arthropod AKHs**

pQINFSPGWGQa	Centipede	SmarAKH
--------------	-----------	---------

pQLTFSPDWa	Fruit fly	DmAKH
------------	-----------	-------

pQLTFTSSWGa	Silk worm	BmAKH1
-------------	-----------	--------

pQLNFTPWWa	Locust	LmAKH
------------	--------	-------

**Arthropod ACPs**

pQVTFSRDWTPa	Centipede	SmarACP
--------------	-----------	---------

pQVTFSRDWNaa	Mosquito	AgamACP
--------------	----------	---------

pQVTFSRDWNPa	Flour beetle	TcACP
--------------	--------------	-------

pQITFSRSWVPQa	Prawn	MroACP
---------------	-------	--------

**Arthropod GnRH**

pQQHFRTSHFRPDNVa	Prawn	MroGnRH	?
------------------	-------	---------	---

**Arthropod CRZs**

pQTFQYSKGWEpa	Centipede	SmarCRZ
---------------	-----------	---------

pQTFQYSRGWTNa	most insects	CRZ
---------------	--------------	-----

pQTFQYSHGWTNa	Locust	LmCRZ
---------------	--------	-------

**Mollusk AKHs**

pQVSFSTNWGSa	Oyster	CgAKH	GnRH
pQIHFSPTWGSa	Owl limpet	LgAKH	GnRH
pQHFSPDWGTa	<i>Aplysia</i>	ApAKH	GnRH

**Mollusk GnRHs**

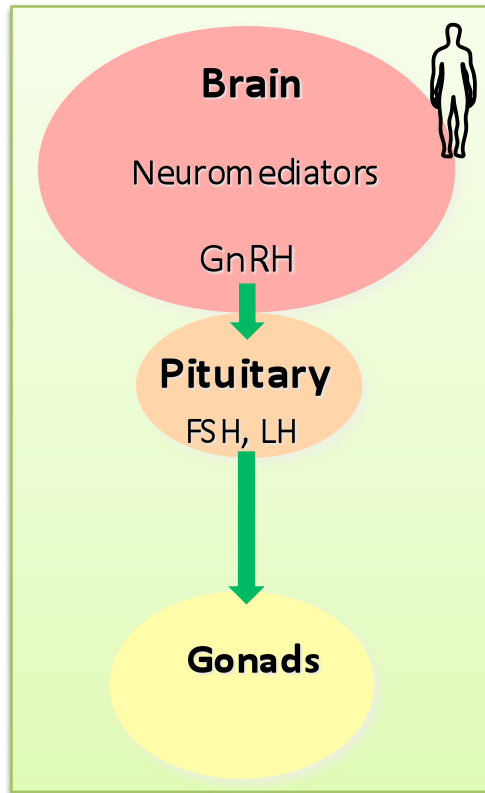
pQNYHFSNGWHPGa	<i>Octopus</i>	OctGnRH	CRZ
pQNYHFSNGWQPa	Oyster	CgGnRH	CRZ
pQNFHFSNGWQPa	Yessi scallop	PwGnRH	CRZ
pQNYHFSNGWYaa	<i>Aplysia</i>	ApGnRH	CRZ
pQNYHFSNGWKSa	Owl limpet	LgGnRH	CRZ

**Annelid GnRHs**

pQAYHFSHGWFPa	<i>Capitella</i>	CpGnRH	CRZ
pQAYHFSNGWMPa	<i>Platynereis</i>	PmGnRH-1	CRZ
pQHAHFSTGWTGFGIa	<i>Platynereis</i>	PmGnRH-2	?
pQSIHFSSRSWQPa	Leech	HrGnRH	CRZ

**Annelid AKHs**

pQFSFSLPGKWNa	<i>Platynereis</i>	PmAKH-1	GnRH
pQLTQSLGWGSAGSSa	<i>Platynereis</i>	PmAKH-2	?



Ancient origin of molecular families of the brain-pituitary actors

