



HAL
open science

An Open-Source Hardware-In-The-Loop Virtualization System for Cybersecurity Studies of SCADA Systems

Stéphane Mocanu, Maxime Puys, Pierre-Henri Thevenon

► **To cite this version:**

Stéphane Mocanu, Maxime Puys, Pierre-Henri Thevenon. An Open-Source Hardware-In-The-Loop Virtualization System for Cybersecurity Studies of SCADA Systems. C&esar 2019 - Virtualization and Cybersecurity, Nov 2019, Rennes, France. pp.1-16. hal-02371133

HAL Id: hal-02371133

<https://hal.science/hal-02371133>

Submitted on 19 Nov 2019

HAL is a multi-disciplinary open access archive for the deposit and dissemination of scientific research documents, whether they are published or not. The documents may come from teaching and research institutions in France or abroad, or from public or private research centers.

L'archive ouverte pluridisciplinaire **HAL**, est destinée au dépôt et à la diffusion de documents scientifiques de niveau recherche, publiés ou non, émanant des établissements d'enseignement et de recherche français ou étrangers, des laboratoires publics ou privés.

An Open-Source Hardware-In-The-Loop Virtualization System for Cybersecurity Studies of SCADA Systems *

Stéphane Mocanu¹, Maxime Puys², and Pierre-Henri Thévenon²

¹ Univ. Grenoble Alpes, CNRS, Inria, Grenoble INP, LIG, 38000 Grenoble, France
stephane.mocanu@imag.fr

² Université Grenoble Alpes, CEA, LETI, DSYS, Grenoble F-38000, France
firstname.name@cea.fr

Abstract. Industrial control systems are targeted by cyberattacks since Stuxnet in 2010 and attacks have increased in the past years wtr. interconnection with IT systems. Due to their contact with the real world, industrial systems must be protected and engineers must be trained accordingly. In this paper, we present a scalable physical process virtualization platform for cybersecurity study of SCADA systems. Our virtualization platform includes electronic interfaces and a software physical processes simulator, directly connected with the input/output cards of industrial control system hardware. Our system is entirely open source including electronic card schematics, printed circuit boards, embedded software and physical process simulation software and provides a reasonable real-time performance.

Keywords: Hardware in the loop simulation, Cybersecurity, SCADA.

1 Introduction

Industrial control systems (ICS), also called SCADA are used to monitor and control physical industrial processes. They are composed by hardware and software elements interconnected by communication networks and interacting with the physical world via sensors and actuators. ICS cybersecurity became one of the fastest growing cybersecurity fields after the Stuxnet attack in 2010. Consequences of cyberattacks on SCADA systems are very costly in terms of money but also in terms of environment and citizen integrity. That forced government agencies, hardware manufacturers, and researchers to develop cybersecurity measures once the vulnerability of ICS exposed by mediatic events. There are two main challenges when dealing with ICS cybersecurity:

1. Industrial systems are a proprietary world. Thus, working on a programmable logic controller (PLC) and protocols requires to obtain the actual controller as the hardware. Operating system and hardware are yet to be replicated in a software.
2. Impact on physical process. A threat may use legitimate communications to send malevolent commands to the physical process. In other words, there is no violation of the security policy, however the safety properties of the process are violated.

* This work has been partially funded by the French national program "Programme d'Investissement d'Avenir IRT Nanoelec" (ANR-10-AIRT-05), the SACADE project (ANR-16-ASTR-0023) and by the LabEx PERSYVAL-Lab (ANR-11-LABX-0025).

To handle these two aspects of industrial systems cybersecurity, studies have to be validated on real control hardwares used in conjunction with a physical process. Obviously pentesting or firewall calibration cannot be validated on a real plant as they may endanger the plant safety. Therefore, one of the intense activity fields in SCADA cybersecurity is the realization of realistic scale testbeds. In this paper, we propose a testbed providing a low-cost open-source physical system simulation solution, with reasonable real-time performance for teaching and research.

Our approach: Our main goal is to provide a testbed that allows the use of real control devices in a realistic environment. Our hardware and software are therefore similar to the material used in Factory Acceptance Test. We provide electronic cards able to connect the software process simulator to PLCs. We also intend to reproduce SCADA systems of a size close to real industrial cases. Our symbolic target is one hundred industrial equipments and one thousand sensors and actuators. Thus, the interfacing board needs to scale up to targeted number of inputs and outputs. Therefore a network communication with the process simulation allows to easily add more boards. The global architecture is represented in Figure 1.

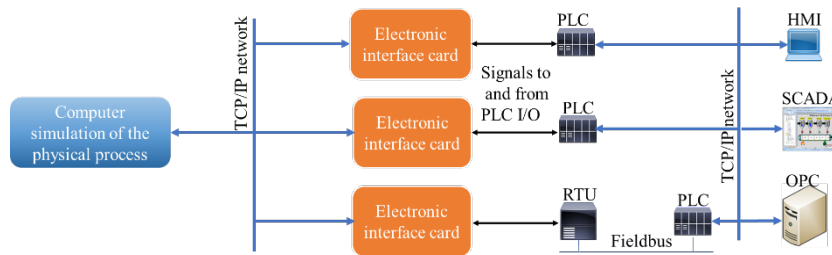


Fig. 1. Global simulation architecture

Outline: In section 2, we describe the interface board. In section 3, we detail how industrial processes are simulated. In section 4, we present our virtualized testbed named G-ICS and some experimental results and we conclude in section 6.

2 Interface Board

As explained in section 1, the interface board allows communication between the physical process simulator and industrial hardware components. To do so, it requires:

Versatility: We target mainly manufacturing and smart-grids applications fields. Hardware control devices such as Programmable Logic Controllers (PLC), Remote Terminal Units (RTU), Human Machine Interfaces (HMI) and embedded regulators interact with the physical process via a variety of I/O modules and interfaces. The logical nature of the signal is mainly digital or sampled analog. The electrical nature of the input and output signals might vary a lot. We limit our study to the most common electrical

signals, i.e. 0/24 V digital signals and -10/+10 V analogs. The current version of the interface board does not support specialized signals (pulse train or Pulse Width Modulation) or 4/20 mA current loops. Smart-grid hardware controllers are mostly Intelligent Electronic Devices (IED) preprogrammed with electrical protection functions. All these devices are using digital signals and specialized analog inputs for current and voltage measurement in power networks. Two normalized current levels are used: 0/1A and 0/5 A. Voltage sensors are issuing signals in the range 0/100 V AC. Usually a protection relay will measure at least a group of three current inputs (triphasic point) plus a fault current to the ground. Some relays will also measure voltage or two triphasic points (transformer protections for example). Figure 2 displays a synoptic of the board, compatible with these requirements.

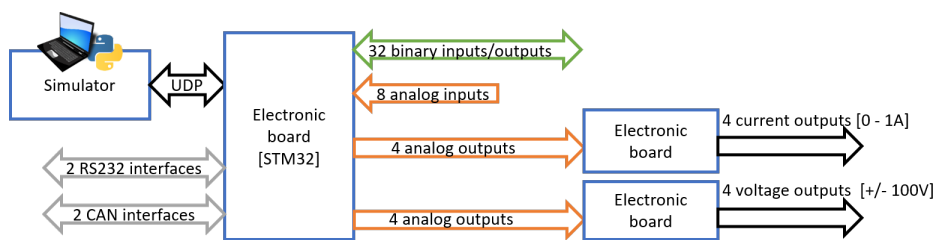


Fig. 2. Interface board synoptic

Scalability: We don't want to limit the number of interface cards connected to a software simulation. Therefore, the cards are connected to the process simulation through an Ethernet network.

Real-time performance: Controllers in manufacturing application are usually running with cycle times in the range of 10 to 250 ms. The notable exceptions are regulators whose sampling period may be around 1 ms even for simple applications. Smart-grid protection relays on the other hand are more demanding. Power measures in Europe are sampled at 4 KHz, i.e. a $250\mu\text{s}$ cycle time. Obviously, Ethernet communication is not compatible with the $250\mu\text{s}$ real-time period. Therefore, we developed two versions of the embedded program of the card: a simple one that copies value between card I/O and network for applications with low real-time demands and a second version which includes the generation of the triphasic measurement point signals on the card. Characteristics of the signals (amplitude, phase and frequency) are sent through the network. Regulation loops with fast sampling rates are not handled for the moment while embedding a process model on the card will be considered in the future.

Price: There is an obvious trade-off between price and performance. A professional high-precision FAT system for IED may cost as high as 40.000€ for a single measurement point signal generator. We want to keep the price affordable for research and education. We fixed a target objective cost of 400€ per interface card and another 400€ for a couple of power cards (current transformer and voltage transformer). Figure 3 presents the two use cases of the interface cards.

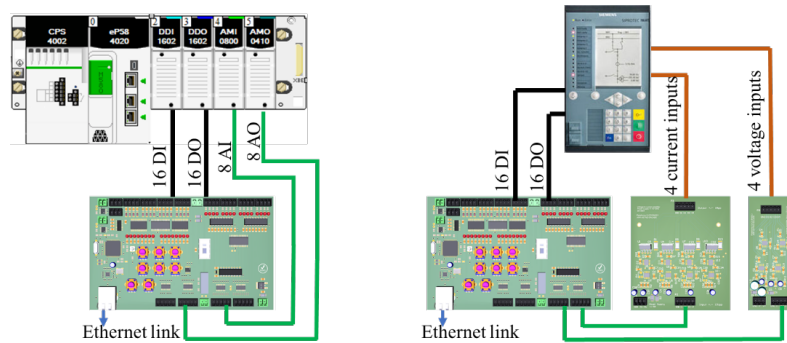


Fig. 3. Interface board connection : PLC (left) protection relay (right)

3 Industrial Process Simulator

The physical process simulator is a software able to reproduce the behavior of an industrial process (e.g., a chemical factory). This simulator needs to be easily adaptable to any use case, thus being able to reproduce various process from a manufacturing factory to an electrical grid. Moreover, it needs to be able to communicate with both industrial and IT components. For instance, in a realistic platform such as G-ICS, including real industrial devices such as programmable automata, the simulator may need to understand either electrical inputs or serial buses through interface boards presented in Section 2, or directly industrial protocols over TCP/IP such as MODBUS or OPC-UA. We propose a physical process simulator written in Python and revolving around the *simpy*³ module. It is a process-based discrete-event simulation framework allowing to model and schedule components such as valves or coolers. In our simulator we chose to model components as independent tasks, scheduled on a shared clock.

That is, each component is woken up at each – multiple of a – clock tick and can compute its outputs given its inputs. More formally, each component type (e.g., a valve) is described as a Python class implementing a *process* method. This method is the one called by *simpy* every tick, computing outputs using inputs. This way, components can be reused in multiple process models. In a main script, these classes are instantiated with their inputs specified as *lambda* functions (or Python properties). This allows the attribute of the component to be physically the same variable as the one in the main script and not a copy needing synchronization. Then, the *process* method is registered by *simpy* alongside any other component or method needed by the process (e.g., input control or output monitoring). A working toy example is given for a valve in Listing 1.1 with the main script in Listing 1.2.

Multiple interfaces are available for the simulator to communicate with other components. First, a UDP library is used to handle the domain-specific communication protocol with the interface board. This protocol allows to read digital and analog inputs and to respectively write outputs. Depending on the context, real industrial protocol servers can also be started. Obviously, as the simulator runs on a computer, a matching physical

³ <https://simpy.readthedocs.io/>

interface will be needed to handle connections (e.g., an Ethernet port for TCP/IP or a FTDI cable for serial protocols). The simulator implements a REST API allowing to synchronize inputs and outputs with databases for data persistency. Moreover, it allows interaction with other programs such as a visualization of the values of the simulated components or direct modifications of variables with a presentation tablet. The process simulator’s code is available on demand on a GIT repository⁴.

```

1 class Valve():
2     _opened = None
3     _inputFlow = None
4     _outputFlow = None
5
6     def __init__(self, opened, inputFlow):
7         self._opened = opened
8         self._inputFlow = inputFlow
9
10    def process(self, env):
11        while True:
12            if self._opened():
13                self._outputFlow = self._inputFlow()
14            else:
15                self._outputFlow = 0
16            yield env.timeout(1)

```

Listing 1.1. A valve component

```

1 import simpy
2
3 opened = True
4 inputFlow = 50
5 env = simpy.Environment()
6
7 def controlValve():
8     global opened, inputFlow
9     while True:
10        # Code controlling the
11        # valve during simulation
12        yield env.timeout(1)
13
14 valve = Valve(
15     env,
16     opened=lambda: opened,
17     inputFlow=lambda: inputFlow
18 )
19
20 env.process(controlValve())
21 env.process(valve.process(env))
22 env.run()

```

Listing 1.2. Main script

4 Evaluation on the G-ICS Industrial Cybersecurity Testbed

GreEn-ER⁵ Industrial Control systems Sandbox (G-ICS) is a university testbed started in 2015 and hosted by ENSE3⁶ engineer school. It contains around 100 industrial devices (PLC, IED, HMI and RTU) and SCADA servers, connected with the interface boards to the process simulator presented in sections 2 and 3. A monitoring VLAN allows capture of the testbed traffic. Industrial firewalls and IDS are deployed and secure architectures may be built. The testbed is used for teaching automation, supervisory control, communication networks, cybersecurity and for research. It was used for the experimental validation of three PhD thesis [11, 14, 3] and as a demonstrator for the Grenoble Alpes Cybersecurity Institute and Nanoelec Research Technological Institute.

Two experimental setups were deployed and used for testing and validation of intrusion detection algorithms. One was related to research developed in [15] and is a freely adapted version of the Tennessee-Eastman process. The physical process simulation and the PLC programs are available on the project GIT repository. Experimental data-sets were published on PerSCiDO⁷ data-sets platform. The second one is an electrical protection scheme and was used to demonstrate the exploitation of the vulnerabilities in

⁴ <https://gforge.inria.fr/projects/eastman/>

⁵ Grenoble Énergie - Enseignement et Recherche

⁶ École Nationale Supérieure de l’Énergie, l’Eau et l’Environnement of Grenoble INP

⁷ <https://persyval-platform.univ-grenoble-alpes.fr/DS236/detaildataset>

real-time control protocols in electrical substation communications [12]. The IED programs, the traffic data-sets and the Bro detector module are available on the project repository. Both physical processes are presented in Figure 4.

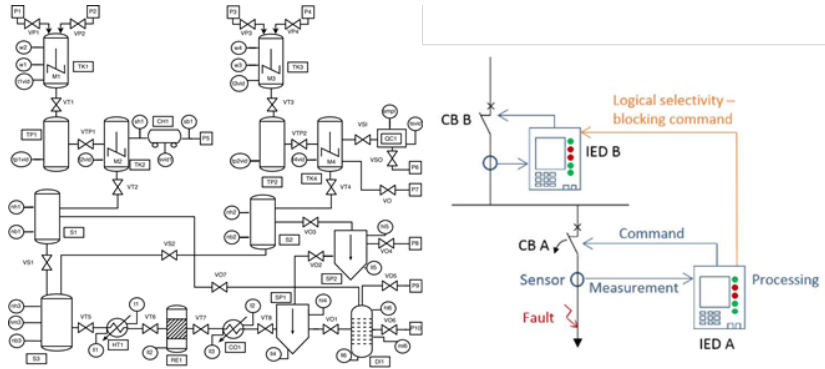


Fig. 4. Physical processes: Tennessee-Eastman (left) and electrical protection scheme (right)

On the considered examples the interface cards performed well from the point of view of real-time performance. The electrical protection use case proved that the quality of the signal provided by the interface card together with the power cards is sufficient to be used in conjunction with real protection relay. We confirmed the signal quality on 10 different IED. Scalability is still to be experimentally validated. The two cited examples were relatively simple. The Tennessee-Eastman process needed three interface cards (three PLC and three RTU were used). The logical protection scheme employed two interfaces. A more complex example was developed in an industrial partnership and employed seven interfaces. The UDP communication protocol between the process simulation and the card is easy to implement. This allows to interface the card with any simulation software like Modelica or Matlab alongside our Python process simulator.

4.1 Protocol implementation and real-time performance evaluation

The UDP communication between the simulation and the card is very loosely inspired from Modbus and used a variable length application protocol data unit (Figure 9).

Function code	Magic number	Data length	Data
1 byte	1 byte	2 bytes	Variable length

Fig. 5. Application protocol data unit (APDU)

The function code defines the operation (read inputs, write outputs, card configuration). The magic number is used to detect the protocol version and distinguish between requests and responses. A write request of all the outputs of the card (8 analog and 16 digital) will use 18 bytes of data then the total length of the APDU is 22 bytes. In our implementation the write request is unacknowledged. The read request does not require

any data then the APDU is 4 bytes long. The answer of the read request will transmit 18 bytes of data then the APDU is 22 bytes long for the 8 analog and 16 digital inputs. At the Ethernet level all these frames will fit in the minimal size Ethernet frame, i.e. 64 bytes including all the protocol headers.

The regular process simulator loop will read periodically the inputs for the card, compute the new state then write the outputs to the card. The network bandwidth required per simulation loop is of 3 minimal size Ethernet frames, i.e. 192 bytes/period.

A first limit of the capabilities of our hardware-in-the-loop system is given by the relation : $(192 \times \text{Number_of_cards}) / \text{Simulation_period} \leq \text{Network_Bandwidth}$. For example, on a FastEthernet network, using 100 cards the minimal achievable simulation period is less than 200 μs .

A second limitation of the simulation capability comes from the card response time. In the previous example it is questionable if at 200 μs time interval between two requests the card will be able to respond. In order to address this question we experimentally measured the rough response time of the interface card. The experimental setup uses a direct Ethernet connection between a computer and the interface card. We studied statistically the response time of the sequences *READ_request/READ_answer* and *WRITE_request/READ_request/READ_answer* between the computer and the interface card. The requests were repeated at 10 ms interval in order to have independent samples. The statistical sample size is of 4300 exchanges. Measures were made with Wireshark.

For the *READ_request/READ_answer* response time the average value is of 1.322 ms with a confidence interval at 99% of 178 μs . However for the real-time performance the measure of interest is the worse case response time. For our sample this value is of 6.635 ms. The Figure 10 shows the histogram of the response time experimental values.

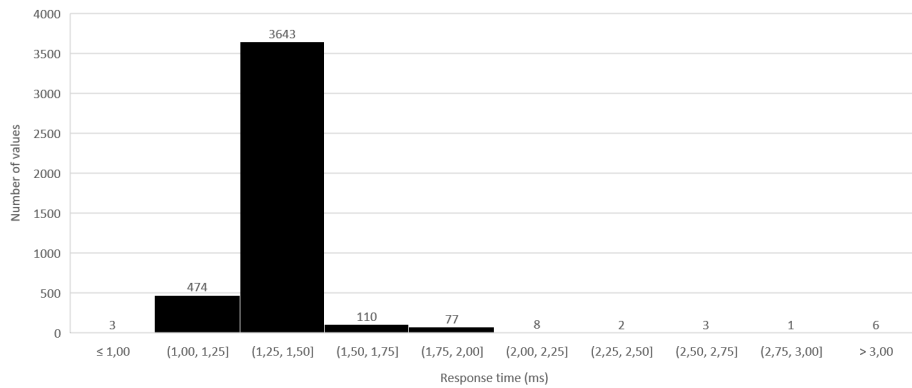


Fig. 6. Read request response time distribution

We can notice that only less than 0.5% of the response times are superior to 2 ms and more than 80% are into the interval (1.25ms...1.5ms). However, this performance is not adequate for a hard real-time application. The variability in the response time

comes from the communication between the STM32 processor and the two MCP23016 I/O expander chips. We experimentally found that at random time intervals the communication timeouts and the I2C has to be reset. This is a point that has to be explored in the future.

For the duration of the *WRITE_request/READ_request/READ_answer*, as there is no acknowledgment for the *WRITE* request only the complete sequence length and the time between *WRITE_request* and *READ_request* may be measured. The time between *WRITE_request* and *READ_request* depends only on the computer and does not concern the card. On the computer used for the experiment (a Xeon E-2186M with 128Go RAM running Windows 10) the measured time between the *WRITE* and *READ* requests is averaging at $23\mu s$. The total length of the sequence is 1.345 ms with a worse case at 6.651. The histogram of the response time experimental values is shown in Figure 11.

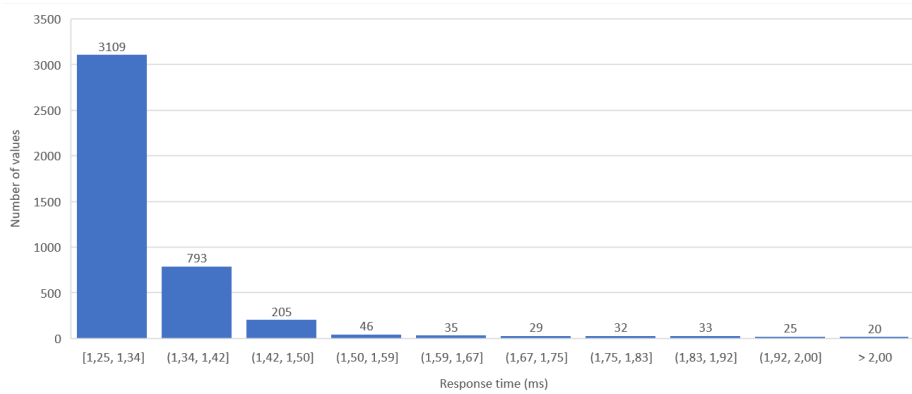


Fig. 7. Write/Read sequence response time distribution

We may conclude that the shortest achievable simulation period is around 7 ms and we may advise to further increase it to 10 ms in order to insure that the response time of the card will follow. Clearly the 10 ms minimal simulation period is not enough to directly generate high rate samples for the PLC inputs (for the instance the 4 kHz sample rate for the electrical network measures). Then for demanding applications like smart-grid simulation the samples are generated by a code embedded on the card. The simulation will only refresh every 10 ms the parameters of the signal.

When using multiple cards a dedicated network or a vlan is suggested. At 10 ms simulator period the required bandwidth per card is 19.2 kbps. While this may seem ridiculous for 100 cards it will raise to 2 Mbps which will interfere with the SCADA traffic biasing the experiment.

4.2 Cybersecurity applications

The hardware-in-the-loop system allows the visualization of cyberattacks effects on the physical process. We are using it to visualize the consequences of ICS CVE⁸ exploitation in cybersecurity awareness classes for computer science and control system students.

Nevertheless the main application field of the virtualization system is the study of the attack scenarios in the cyber domain whose effects are visible in the physical domain. Such attacks called *process-oriented attacks* or *process-aware attacks* will inject malicious commands into the industrial communication flows but will not violate protocol specifications and, therefore, are difficult to detect [18]. Based on our hardware-in-the-loop system we developed studies of process oriented attacks in two application fields : industrial automation and power grid protection.

In industrial automation field we were interested in *sequence attacks* [19, 16]. In a sequence attack an attacker may manipulate the relative order of commands to produce an incorrect behavior of the process (*qualitative attacks*) or alter the timing between commands (*quantitative attacks*). The plant description (Tennessee-Eastman process from Figure 4.), the attacks and the detection methodology are described in [14]. The normal (attack-free) datasets used for IDS training and the datasets containing the attacks are available online: [20].

The electrical networks automation and protection application domain is more specific in the sense that it will rely on three communication protocols from the IEC 61850 stack: Sampled Measured Values (SMV) for current and voltage sensor samples values transmission Generic Object Oriented Substation Event (GOOSE) for controller-to-controller event (process or discrete state change) transmission an Manufacturing Message Specification (MMS) for SCADA-to-controller communication. SV and GOOSE communications are non-IP (Ethernet) protocols. SMV is supposed to be used on a dedicated high availability network (usually HSR⁹) called the process bus. GOOSE frames are transmitted in the local network (called bay network) and a highly available network is also recommended (preferably PRP¹⁰). MMS may be used for remote connections between control room and protection devices. The different communication levels and flow types are represented in Figure 12.

Process-oriented attacks in 61850 networks will aim to disturb the power grid by actuator manipulation. The actuators in a power grid are the electrical switches and they are controlled by the protection relays. Therefore manipulation of the electrical switches can be achieved either from SCADA through MMS protocol (what CrashOverride attack did [7]) or triggering protection functions related events at bay or process level (generation of a trip signal).

Our smart-grid cybersecurity studies were targeted to the triggering of protection functions either by injection of false sampled measures in the SMV flow (a false electrical flow) either by injecting false controller state events (a false command sent to a protection relay via GOOSE protocol). We were also able to inhibit legitimate trip sig-

⁸ Common Vulnerabilities and Exposure

⁹ High-availability Seamless Redundancy

¹⁰ Parallel Redundancy Protocol

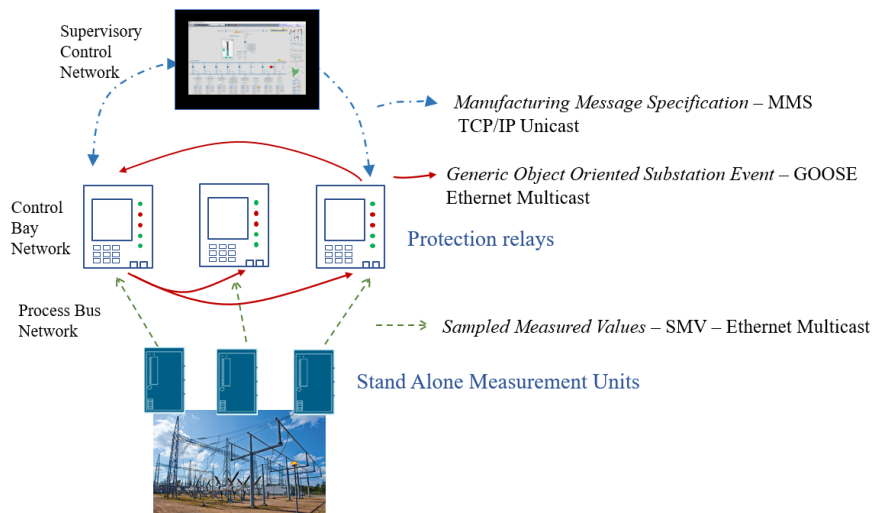


Fig. 8. Communication flows in an IEC 61850 substation

nals via GOOSE protocol corruption. Results on GOOSE protocol were published in [11–13]. The SMV attack part together with the datasets will be soon available.

5 Evaluation

On the considered examples the interface cards performed well from the point of view of real-time performance. The electrical protection use case proved that the quality of the signal provided by the interface card together with the power cards is sufficient to be used in conjunction with real protection relay. We confirmed the signal quality on 10 different IED. Scalability is still to be experimentally validated. The two cited examples were relatively simple. The Tennessee-Eastman process needed three interface cards (three PLC and three RTU were used). The logical protection scheme employed two interfaces. A more complex example was developed in an industrial partnership and employed seven interfaces. The UDP communication protocol between the process simulation and the card is easy to implement. This allows to interface the card with any simulation software like Modelica or Matlab alongside our Python process simulator.

5.1 Protocol implementation and real-time performance evaluation

The UDP communication between the simulation and the card is very loosely inspired from Modbus and used a variable length application protocol data unit (Figure 9).

The function code defines the operation (read inputs, write outputs, card configuration). The magic number is used to detect the protocol version and distinguish between requests and responses. A write request of all the outputs of the card (8 analog and 16

Function code 1 byte	Magic number 1 byte	Data length 2 bytes	Data Variable length
-------------------------	------------------------	------------------------	-------------------------

Fig. 9. Application protocol data unit (APDU)

digital) will use 18 bytes of data then the total length of the APDU is 22 bytes. In our implementation the write request is unacknowledged. The read request does not require any data then the APDU is 4 bytes long. The answer of the read request will transmit 18 bytes of data then the APDU is 22 bytes long for the 8 analog and 16 digital inputs. At the Ethernet level all these frames will fit in the minimal size Ethernet frame, i.e. 64 bytes including all the protocol headers.

The regular process simulator loop will read periodically the inputs for the card, compute the new state then write the outputs to the card. The network bandwidth required per simulation loop is of 3 minimal size Ethernet frames, i.e. 192 bytes/period.

A first limit of the capabilities of our hardware-in-the-loop system is given by the relation : $(192 \times \text{Number_of_cards}) / \text{Simulation_period} \leq \text{Network_Bandwidth}$. For example, on a FastEthernet network, using 100 cards the minimal achievable simulation period is less than 200 μs .

A second limitation of the simulation capability comes from the card response time. In the previous example it is questionable if at 200 μs time interval between two requests the card will be able to respond. In order to address this question we experimentally measured the rough response time of the interface card. The experimental setup uses a direct Ethernet connection between a computer and the interface card. We studied statistically the response time of the sequences *READ_request/READ_answer* and *WRITE_request/READ_request/READ_answer* between the computer and the interface card. The requests were repeated at 10 ms interval in order to have independent samples. The statistical sample size is of 4300 exchanges. Measures were made with Wireshark.

For the *READ_request/READ_answer* response time the average value is of 1.322 ms with a confidence interval at 99% of 178 μs . However for the real-time performance the measure of interest is the worse case response time. For our sample this value is of 6.635 ms. The Figure 10 shows the histogram of the response time experimental values.

We can notice that only less than 0.5% of the response times are superior to 2 ms and more than 80% are into the interval (1.25ms...1.5ms). However, this performance is not adequate for a hard real-time application. The variability in the response time comes from the communication between the STM32 processor and the two MCP23016 I/O expander chips. We experimentally found that at random time intervals the communication timeouts and the I2C has to be reset. This is a point that has to be explored in the future.

For the duration of the *WRITE_request/READ_request/READ_answer*, as there is no acknowledgment for the *WRITE* request only the complete sequence length and the time between *WRITE_request* and *READ_request* may be measured. The time between *WRITE_request* and *READ_request* depends only on the computer and does not concern the card. On the computer used for the experiment (a Xeon E-2186M with 128Go RAM running Windows 10) the measured time between the

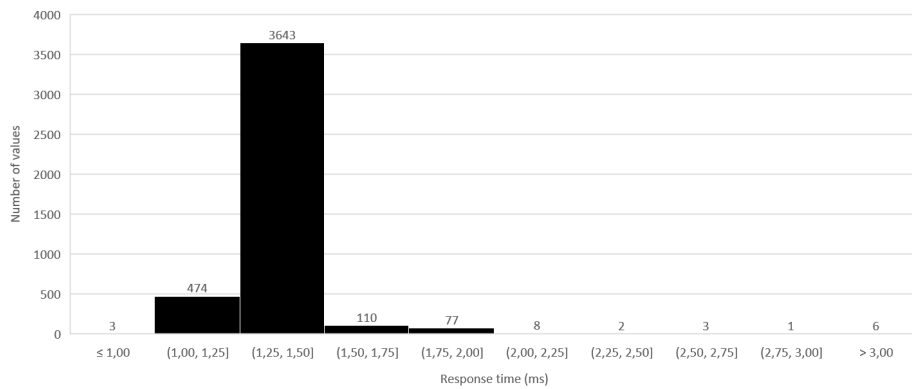


Fig. 10. Read request response time distribution

WRITE and *READ* requests is averaging at $23\mu s$. The total length of the sequence is 1.345 ms with a worse case at 6.651. The histogram of the response time experimental values is shown in Figure 11.

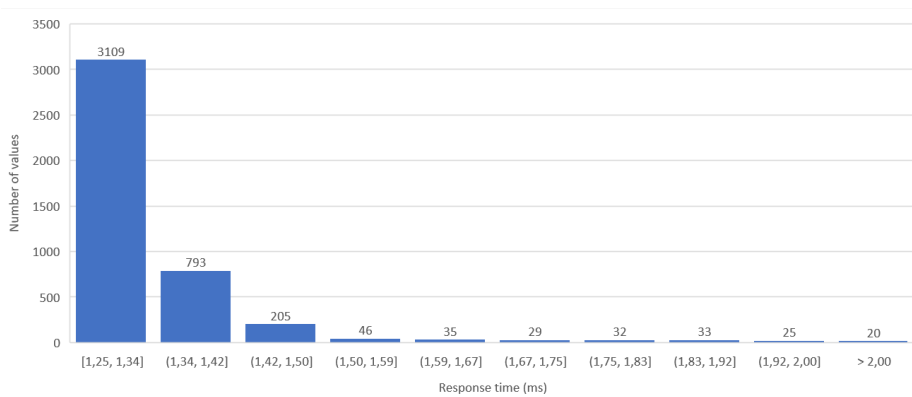


Fig. 11. Write/Read sequence response time distribution

We may conclude that the shortest achievable simulation period is around 7 ms and we may advise to further increase it to 10 ms in order to insure that the response time of the card will follow. Clearly the 10 ms minimal simulation period is not enough to directly generate high rate samples for the PLC inputs (for the instance the 4 kHz sample rate for the electrical network measures). Then for demanding applications like smart-grid simulation the samples are generated by a code embedded on the card. The simulation will only refresh every 10 ms the parameters of the signal.

When using multiple cards a dedicated network or a vlan is suggested. At 10 ms simulator period the required bandwidth per card is 19.2 kbps. While this may seem

ridiculous for 100 cards it will raise to 2 Mbps which will interfere with the SCADA traffic biasing the experiment.

5.2 Cybersecurity applications

The hardware-in-the-loop system allows the visualization of cyberattacks effects on the physical process. We are using it to visualize the consequences of ICS CVE¹¹ exploitation in cybersecurity awareness classes for computer science and control system students.

Nevertheless the main application field of the virtualization system is the study of the attack scenarios in the cyber domain whose effects are visible in the physical domain. Such attacks called *process-oriented attacks* or *process-aware attacks* will inject malicious commands into the industrial communication flows but will not violate protocol specifications and, therefore, are difficult to detect [18]. Based on our hardware-in-the-loop system we developed studies of process oriented attacks in two application fields : industrial automation and power grid protection.

In industrial automation field we were interested in *sequence attacks* [19, 16]. In a sequence attack an attacker may manipulate the relative order of commands to produce an incorrect behavior of the process (*qualitative attacks*) or alter the timing between commands (*quantitative attacks*). The plant description (Tennessee-Eastman process from Figure 4.), the attacks and the detection methodology are described in [14]. The normal (attack-free) datasets used for IDS training and the datasets containing the attacks are available online: [20].

The electrical networks automation and protection application domain is more specific in the sense that it will rely on three communication protocols from the IEC 61850 stack: Sampled Measured Values (SMV) for current and voltage sensor samples values transmission Generic Object Oriented Substation Event (GOOSE) for controller-to-controller event (process or discrete state change) transmission an Manufacturing Message Specification (MMS) for SCADA-to-controller communication. SV and GOOSE communications are non-IP (Ethernet) protocols. SMV is supposed to be used on a dedicated high availability network (usually HSR¹²) called the process bus. GOOSE frames are transmitted in the local network (called bay network) and a highly available network is also recommended (preferably PRP¹³). MMS may be used for remote connections between control room and protection devices. The different communication levels and flow types are represented in Figure 12.

Process-oriented attacks in 61850 networks will aim to disturb the power grid by actuator manipulation. The actuators in a power grid are the electrical switches and they are controlled by the protection relays. Therefore manipulation of the electrical switches can be achieved either from SCADA through MMS protocol (what CrashOverride attack did [7]) or triggering protection functions related events at bay or process level (generation of a trip signal).

¹¹ Common Vulnerabilities and Exposure

¹² High-availability Seamless Redundancy

¹³ Parallel Redundancy Protocol

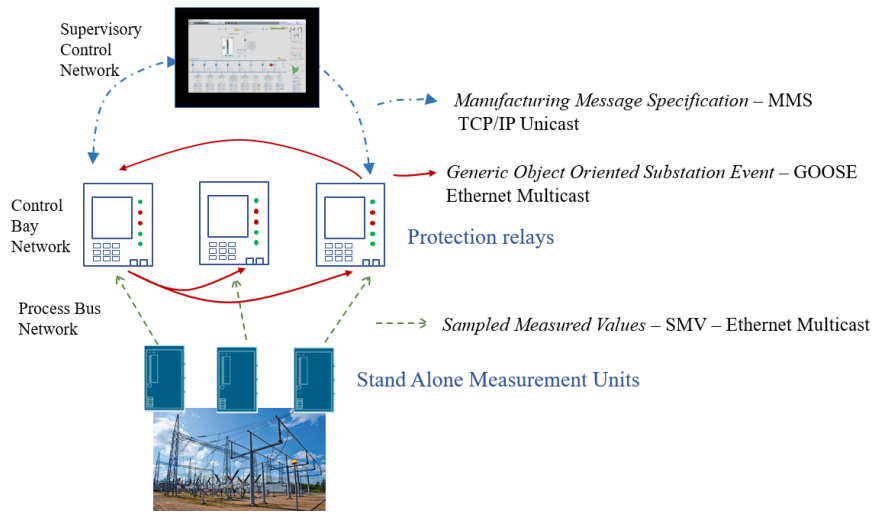


Fig. 12. Communication flows in an IEC 61850 substation

Our smart-grid cybersecurity studies were targeted to the triggering of protection functions either by injection of false sampled measures in the SMV flow (a false electrical flow) either by injecting false controller state events (a false command sent to a protection relay via GOOSE protocol). We were also able to inhibit legitimate trip signals via GOOSE protocol corruption. Results on GOOSE protocol were published in [11–13]. The SMV attack part together with the datasets will be soon available.

6 Conclusion and related work

There was an intense activity in testbed construction in the last years. A survey is provided in [9]. Depending on the virtualization degree, there are three kinds of testbeds:

Full virtualization: Those approaches will virtualize the process and the control equipment using a simulation of the PLC. These approaches differ from ours since our goal is to rely on the real hardware equipment (which are yet to be realistically reproduced by software simulation).

Physical process virtualization: Our testbed fits in this category. Many approaches will rely on commercial simulation software like Matlab/Simulink, OPAL-RT, LabVIEW, Power-World. Several other works will develop, like us, an industrial process simulator. Most of them are dedicated to a certain kind of process (e.g., chemical industry) and are mainly used for productivity forecasting [8, 26, 17, 27, 21, 5]. They are not designed to communicate with other components such as PLCs and thus do not have any network interface such as MODBUS. Other are sparsely configurable and are not meant to reproduce an industrial process [25, 2, 6, 22]. Rather, they are used to test and stress SCADA by populating data. Some are not open-source software, making them

costly to use for research and/or student projects [23, 4]. Finally, some open-source alternatives exist but are abandoned and relying on outdated languages or modules [1, 24] making them difficult to extend.

Concerning the connection between the physical process simulator and the hardware PLC most of the solutions will either use a communication protocol to read and write variable in the PLC memory or use commercial high precision hardware (like Omicron, OPAL-RT, Megger or Doble). The first solution (direct memory read/write) has zero cost but it is not realistic. The second one has a professional precision but a tremendous cost. Closest works to our solution are Factory I/O Advantech USB 4750 sold by RealGames¹⁴ and the one sold by Schneider¹⁵. Both solutions are USB connected so they will not scale and they provide digital I/O only. In general, commercial interface boards (Arduino shields, Raspberry Pi modules or specialized data acquisition modules) are limited to digital I/O and, sometime analog input. Analog outputs are rare, and available in small numbers : one or two. Our card, able to provide eight analog outputs (for IED interfacing) is the only one available at the moment.

No virtualization: These testbeds are real size processes, built especially for cybersecurity studies. These are moreover nation wide projects, the most well known being the Idaho National Laboratory [10] which is a full industrial systems. Yet, changing the physical process in these solutions is indeed costly.

In this paper, we proposed a low-cost open-source physical system simulation solution, with reasonable real-time performance allowing cybersecurity studies both for teaching and research and including real control devices. We provided electronic cards and a Python process simulator, allowing to reproduce realistic and easily customizable industrial processes, connected to real industrial hardwares. Regarding the two challenges introduced in section 1, our testbed allows teaching and research on real industrial hardwares rather than simulated components. Due to the criticality of industrial systems, this allows more trustworthy studies to be performed on the platform. Regarding the impact of cybersecurity on the physical process, our process simulator allows to easily implement various physical processes and train cybersecurity experts to the specificities of industrial systems. Future works aim at characterizing the scalability of the testbed on real use-cases.

References

1. Modrssi: Modbus PLC simulator (2010), <http://www.plcsimulator.org/>
2. Modbuspal - a Java Modbus simulator (2013), <https://sourceforge.net/p/modbuspal/>
3. Altaher, A.: Implementation of a dependability framework for smart substation automation systems : application to electric energy distribution. Ph.D. thesis, U. Grenoble Alpes (2018)
4. Berutti, M.: Virtual plant using mimic for Schneider electric control systems (2019)
5. Borshchev, A.: The big book of simulation modeling: multimethod modeling with AnyLogic 6. AnyLogic North America Chicago (2013)
6. Dogan, T.: MSS Modbus-TCP server simulator 1.0 (2019), <http://tdogan.net/mss.html>
7. Dragos: Crashoverride: Analysis of the threat to electric grid operations., <https://dragos.com/blog/crashoverride/>

¹⁴ <https://realgames.co>

¹⁵ https://www.schneider-electric.com/en/download/document/Educational_solutions/

8. Hammann, J.E., Markovitch, N.A.: Introduction to arena. In: Winter Simulation'15 (1995)
9. Holm, H., and al.: A survey of industrial control system testbeds. In: Secure IT Systems. pp. 11–26 (2015)
10. INL: Control system automated vulnerability assessment study. Technical report, Idaho National Laboratory (2013)
11. Kabir-Querrec, M.: Cyber security of smart-grid control systems : intrusion detection in IEC 61850 communication networks. Ph.D. thesis, U. G. A. (2017)
12. Kabir-Querrec, M., and al.: A Test bed dedicated to the Study of Vulnerabilities in IEC 61850 Power Utility Automation Networks. In: 21st ETFA (2016)
13. Kabir-Querrec, M., Mocanu, S., Bellemain, P., Thiriet, J.M., Savary, E.: Corrupted GOOSE Detectors: Anomaly Detection in Power Utility Real-Time Ethernet Communications. In: GreHack 2015. Verimag, Grenoble, France (Nov 2015), <https://hal.archives-ouvertes.fr/hal-01237725>
14. Koucham, O.: Intrusion detection for industrial control systems. Ph.D. thesis, U. G. A. (2018)
15. Koucham, O., and al.: Efficient Mining of Temporal Safety Properties for Intrusion Detection in Industrial Control Systems. In: SAFEPROCESS'18. pp. 1–8. Warsaw, Poland (2018)
16. Larsen, J.: Breakage - black hat, <https://www.blackhat.com/presentations/bh-dc-08/Larsen/Presentation/bh-dc-08-larsen.pdf>
17. Lavery, E., et al.: Introduction to Flexsim DS (2008)
18. Li, W., Xie, L., Deng, Z., Wang, Z.: False sequential logic attack on SCADA system and its physical impact analysis. *Computers & Security* (58), 149 – 159 (2016)
19. Marsh, C.R.T.: Critical foundations: Protecting America's infrastructures. Technical report, The Report of the President's Commission on Critical Infrastructure Protection (October 1997)
20. Mocanu, S.: GICS intrusion detection datasets, <https://persyval-platform.univ-grenoble-alpes.fr/DS236/detaildataset>
21. Pakonen, A., and al.: A toolset for model checking of PLC software. In: ETFA'13 (2013)
22. Path, W.: Modmultisim, a programmable Modbus slave simulator, <http://wingpath.co.uk/modbus/modmultisim.php>
23. Riera, B., and al.: HOME I/O et FACTORY I/O: 2 logiciels innovants de simulation de PO pour la formation à l'automatique. In: CESTIS'17 (2017)
24. Seidl, J.: Virtuplant (2015), <https://wroot.org/projects/virtuplant/>
25. Toolbox, C.: Modbus TCP plant simulator. Tech. rep. (2009)
26. Vacher, A.: Prosimplus: New cape-open capabilities. In: The 2006 Annual Meeting (2006)
27. Wagner, D.: Dwsim - open source process simulator. Tech. rep. (2013), <http://dwsim.inforside.com.br>