



HAL
open science

Duct modes damping through an adjustable electroacoustic liner under grazing incidence

Romain Boulandet, Hervé Lissek, Sami Karkar, Manuel Collet, Gaël Matten,
Morvan Ouisse, Marc Versaevel

► **To cite this version:**

Romain Boulandet, Hervé Lissek, Sami Karkar, Manuel Collet, Gaël Matten, et al.. Duct modes damping through an adjustable electroacoustic liner under grazing incidence. *Journal of Sound and Vibration*, 2018, 426, pp.19-33. 10.1016/j.jsv.2018.04.009 . hal-02371016

HAL Id: hal-02371016

<https://hal.science/hal-02371016v1>

Submitted on 19 Nov 2019

HAL is a multi-disciplinary open access archive for the deposit and dissemination of scientific research documents, whether they are published or not. The documents may come from teaching and research institutions in France or abroad, or from public or private research centers.

L'archive ouverte pluridisciplinaire **HAL**, est destinée au dépôt et à la diffusion de documents scientifiques de niveau recherche, publiés ou non, émanant des établissements d'enseignement et de recherche français ou étrangers, des laboratoires publics ou privés.



Distributed under a Creative Commons Attribution 4.0 International License

Duct modes damping through an adjustable electroacoustic liner under grazing incidence

R. Boulandet^a, H. Lissek^{a,*}, S. Karkar^b, M. Collet^b, G. Matten^c, M. Ouisse^c, M. Versaevel^d

^aLaboratoire de Traitement des Signaux LTS2, Ecole Polytechnique Fédérale de Lausanne, Station 11, CH-1015, Lausanne, Switzerland

^bLTDS, Ecole Centrale de Lyon, 36 avenue Guy de Collongue, 69131 Lyon, France

^cUniv. Bourgogne Franch-Comté, FEMTO-ST Institute, CNRS/UTC/ENSMM/UTBM, Department of Applied Mechanics, 24 rue de l'épithaphe, 25000 Besançon, France

^dSAFRAN Nacelles, Route du pont 8, 76700 Gonfreville l'Orcher, France

Abstract

This paper deals with active sound attenuation in lined ducts with flow and its application to duct modes damping in aircraft engine nacelles. It presents an active lining concept based on an arrangement of electroacoustic absorbers flush mounted in the duct wall. Such feedback-controlled loudspeaker membranes are used to achieve locally reacting impedances with adjustable resistance and reactance. A broadband impedance model is formulated from the loudspeaker parameters and a design procedure is proposed to achieve specified acoustic resistances and reactances. The performance is studied for multimodal excitation by simulation using the finite element method and the results are compared to measurements made in a flow duct facility. This electroacoustic liner has an attenuation potential comparable to that of a conventional passive liner, but also offers greater flexibility to achieve the target acoustic impedance in the low frequencies. In addition, it is adaptive in real time to track variable engine speeds. It is shown with the liner prototype that the duct modes can be attenuated over a bandwidth of two octaves around the resonance frequency of the loudspeakers.

Keywords: Lined duct, Electroacoustic absorber, Active sound absorption, duct modes damping

1. Introduction

Challenging noise reduction targets, such as those specified in the European FlightPath 2050 goals, require aircraft manufacturers to develop innovative lining technologies to limit noise emission in the vicinity of airports. Since the advent of jet aircraft in commercial and private air transport, continuous efforts have been made to develop acoustic treatments and techniques to reduce engine noise. For reasons of fuel economy and noise reduction, most of today's jet airliners are powered by high-bypass turbofan engines. While this advance has resulted in much less jet exhaust noise, fan noise has become more prominent. The use of liners on the internal walls of the engine nacelles, both in the intake and by-pass ducts, play an important role in reducing fan noise before it escapes the engine, converting acoustic energy into heat. The lining specifications are usually given in terms of desired acoustic resistance and reactance, which depend on several factors related to the excitation frequency, the duct geometry and dimension, the characteristics of propagating modes, and the presence or absence of airflow through the duct [1, 2, 3]. Conventional acoustic liners such as Single Degree of Freedom (SDOF) liners consist of a thin layer of perforated plate or wire-mesh face sheet backed with a honeycomb cavity, with internal partitions closed by an impervious plate, which provide an essentially locally reacting surface. Acoustic liners properties depend essentially on the following geometric parameters: effective open area, sheet thickness, sheet thickness-to-hole diameter ratio, and honeycomb cavity depth [2, 4]. A correctly designed SDOF liner will provide an optimal attenuation around a specific grazing flow velocity at the design frequency. In the

*Corresponding author

Email address: herve.lissek@epfl.ch (H. Lissek)

1 case of high-bypass turbofan engines, however, the transverse dimensions of the duct permit wave propagation of many
2 higher-order modes.

3 The problem of optimizing modal sound attenuation in a lined duct has been studied by Cremer for the lowest order
4 mode pair in a two-dimensional duct in the absence of flow [5]. Cremer's result was then extended and generalized by
5 Tester for any mode in the case of uniform circular and annular cross-sections [6] and in the presence of uniform flow [7].
6 Liner resistance and reactance parameters are usually obtained experimentally, although some semi-experimental
7 methods, referred to as impedance reduction, are available for their estimates [8, 9]. The technological challenge is
8 therefore to design a lining capable of achieving a predetermined acoustic impedance which is effective over a wide
9 range of engine operating conditions. The main limitations of any passive acoustic liners is that the impedance is fixed
10 by geometry and can hardly be optimized for both the landing and take-off phases. The sound attenuation of such
11 reactive linings is that of a sharply tuned resonator effective over a narrow frequency range. It provides excellent sound
12 absorption over a limited bandwidth and therefore is only effective for a specific regime or flight phase. This design is
13 a compromise between the relevant engine power ratings. Double Degree of Freedom (DDOF) liners made of two
14 layers of honeycomb cells divided by a porous septum can be designed with a wider effective frequency range but they
15 require higher thickness and are heavier than a single layer over their effective frequency range. In that context, it is of
16 interest to consider how to achieve an adaptive locally reacting impedance which would allow adjusting the liner sound
17 attenuation capability for each phase of the flight.

18 Different concepts relating to the application of active acoustic liners in flow ducts have been reported over the past
19 few decades. The pioneering work in the field of active sound absorption was undertaken by Olson and May in the
20 1950s by combining a loudspeaker and a microphone nearby in a negative feedback loop, known as "electronic sound
21 absorber". As mentioned in [10], sound absorption was achieved more easily by providing a low impedance behind a
22 dissipative acoustic impedance composed of a resistive screen. A few decades later, a similar approach was adopted
23 by Guicking and Lorentz (1984) [11], and later by Furstoss *et al.* (1997) [12], to develop a hybrid passive/active
24 treatment composed of a thin porous layer backed by an air cavity closed by a feedback-controlled loudspeaker. By
25 successfully imposing a pressure release condition at the rear of the porous layer, a purely real surface impedance
26 given by the flow resistance of the porous layer can be achieved and the liner behaves like an active quarter-wave
27 resonator. Direct application of the hybrid passive/active absorber to achieve broadband noise reduction in flow ducts
28 can be found in [13, 14, 15]. If the desired acoustic resistance for the lined duct is directly related to the porosity and
29 thickness of the resistive layer, the reactance is generally close to zero. As discussed above, however, a purely real
30 surface impedance condition does not lead to optimal attenuation rates of duct modes [5, 6, 7]. Alternative solutions
31 have been proposed to implement complex acoustic impedances with the help of actively controlled electromechanical
32 actuators. An active SDOF liner for attenuating noise that includes a rigid backplate supporting a piezoelectric patch
33 was proposed and patented by Kraft and Kontos [16], where a microphone is used in combination with a controller to
34 obtain a predetermined acoustic impedance at the panel surface. Zhao and Sun proposed achieving specific impedance
35 condition actively through two controllable variables, the cavity depth of the liner and the bias flow through the
36 orifice [17]. However, the authors concluded that change in reactance was harder to achieve practically using this
37 approach, especially in real world conditions as it depends on the geometry of the liner. Horowitz *et al.* (2002) examined
38 an actively-tuned electromechanical acoustic liner based on a Helmholtz resonator with a compliant piezoelectric
39 composite backplate coupled to a tunable electrical shunts network. By increasing the number of degrees of freedom
40 the filter network allows the liner to exhibit the absorption characteristics of a multi-layer lining [18]. An alternative
41 hybrid liner based on an active Helmholtz resonator concept was suggested by Parente *et al.*, where the objective of
42 control is not to absorb or cancel noise but rather to scatter or redistribute acoustic energy among modes to maximize
43 the efficiency of the passive sound absorbing elements [20]. Other promising results can be found in the literature
44 concerning active Helmholtz resonator concepts using a loudspeaker in the resonator cavity to extend the sound
45 absorption capability of the resonator [19]. Collet *et al.* (2009) investigated the potential of a distributed control scheme
46 to block wave propagation in a given direction in a waveguide. In contrast to the active methods mentioned above,
47 this approach aims at redirecting the sound field without directly interacting with acoustic energy to cancel or absorb
48 it. Recently, the concept of electroacoustic absorber has been introduced as an effective means of damping the duct
49 modes, either using shunt loudspeaker technique [22, 23], direct feedback control [24, 25], or by self-sensing control of
50 the loudspeaker impedance [26]. Rivet *et al.* (2017) showed that a loudspeaker and a microphone nearby, both being
51 connected by a model-based transfer function, can be used for matching the impedance of a loudspeaker diaphragm to
52 a target specific acoustic impedance, which has the effect of damping the standing waves in an enclosure [27].

1 The paper presents an active lining concept based on an arrangement of electroacoustic absorbers and its application
 2 to achieve broadband noise reduction in aircraft engine nacelles. Instead of trying to improve a passive DDOF
 3 liner, emphasis is placed on achieving adjustable local reaction through active impedance control of the loudspeaker
 4 diaphragm. The theoretical analysis is based on a rectangular duct with section lined on one side in the presence of a
 5 uniform flow and a multimodal excitation. The remainder of the paper is organized as follow. The design of the baseline
 6 electroacoustic absorber from a feedback-controlled loudspeaker is addressed in Section 2 using an impedance-based
 7 approach. Section 3 provides an overview of the theoretical framework used in this study to investigate the liner
 8 performance in a flow duct. Computer simulations and experimental results are given in Section 4 to show the
 9 performance and potential of the proposed active liner. A discussion of the benefits and limitations of this active lining
 10 concept to reduce fan noise in aircraft engine nacelles is finally provided to conclude this paper.

11 2. Design of the electroacoustic liner

12 This section describes the design of an electroacoustic liner concept composed of distributed electroacoustic
 13 absorbers. In particular, a locally reacting impedance model is developed on the basis of the electrodynamic loudspeaker
 14 in order to achieve a given target specific acoustic impedance.

15 2.1. Locally reacting impedance models

16 The macroscopic properties of acoustic liners are generally characterized by the specific acoustic impedance
 17 $Z = p/v_n$, which defines the ratio of the local sound pressure p to the normal component of the particle velocity v_n
 18 on the lining surface. For convenience, the non-dimensional specific acoustic impedance z in a lined duct is commonly
 19 given in terms of resistance θ and reactance χ as [1, 2]

$$z = \frac{Z}{\rho c} = \theta + j\chi \quad (1)$$

20 where ρc is the characteristic impedance of air. Analytical models for predicting impedance of conventional SDOF
 21 liners are usually formulated from

$$Z_{\text{s dof}} = R + j(km - \cot(kD)) \quad (2)$$

22 where D is the lining depth, R is the flow resistance of the face-sheet, km is the facing sheet inertance, $\cot(kD)$ is the
 23 cavity reactance, and k is the wavenumber. In Eq. (2), acoustic resistance is mainly related to the open area of the
 24 perforated sheet while reactance strongly depends on the depth of the liner cavity. Figure 1 illustrates the schematic
 25 representation of a lined duct in the presence of a uniform mean flow.

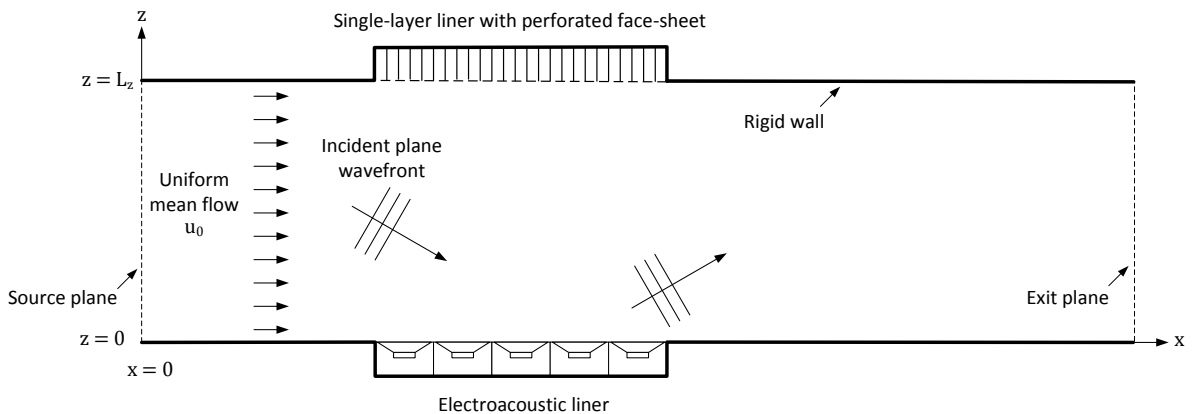


Figure 1: Schematic representation of a lined duct.

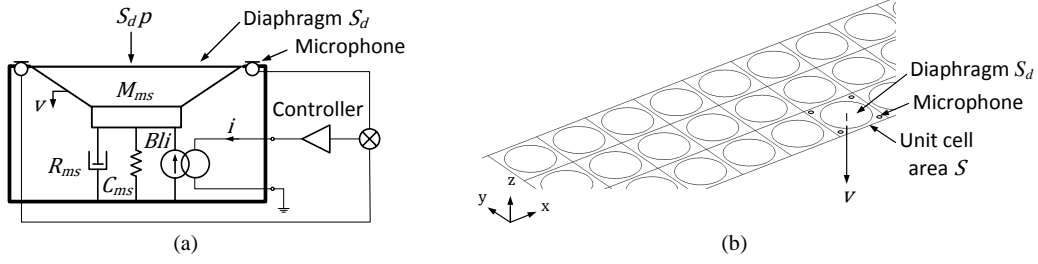


Figure 2: Schematic representation of an electrodynamic absorber (a) and electroacoustic liner concept (b).

1 Additionally, for a DDOF liner, the surface impedance can be expressed as [29]

$$\frac{Z_{\text{ddof}}}{\rho c} = \frac{Z_1}{\rho c} + \frac{\frac{Z_2}{\rho c} \cos(kd_1) \sin(kd_2) - j \cos(kd)}{\sin(kd) + j \frac{Z_2}{\rho c} \sin(kd_1) \sin(kd_2)} \quad (3)$$

2 where Z_1 is the face-sheet impedance, Z_2 is the septum impedance, d_1 is the face sheet backing space depth, d_2 is the
 3 septum backing cavity depth, and $d = d_1 + d_2$. Other models based on Helmholtz resonator or mass-spring-system
 4 analogy have been formulated in the context of broadband impedance eduction methods and to model the boundary
 5 conditions of lined ducts in the time domain [28, 30, 31, 32].

6 2.2. Impedance model of the electroacoustic absorber

7 Figure 2 (a) gives a schematic representation of an electrodynamic loudspeaker with a pressure-feedback control
 8 loop driven by a current source. Assuming that the diaphragm diameter is small compared to the wavelength in the
 9 frequency range of interest, the governing equation of the diaphragm and coil assembly can be expressed as [24, 25, 26]

$$S_d p = \left(j\omega M_{ms} + R_{ms} + \frac{1}{j\omega C_{ms}} \right) v + Bli \quad (4)$$

11 where p is the total complex pressure at the diaphragm, v is the velocity of the diaphragm, i is the electrical current
 12 flowing through the coil, S_d is the effective piston area of the diaphragm, M_{ms} and R_{ms} are the effective mass and
 13 mechanical resistance of the moving bodies, respectively, and C_{ms} is the equivalent mechanical compliance of the
 14 suspension; Bli is the Laplace force resulting from the magnetic field action on a free moving charge (current), where B
 15 is the magnetic flux density and l is the total length of the conductor. Since the loudspeaker is mounted on a box of
 16 volume V_b , the total mechanical compliance $C_{mc} = C_{ms} \left(1 + \rho c^2 S_d^2 C_{ms} / V_b \right)^{-1}$, where $\rho = 1.2 \text{ kg m}^{-3}$ is the density of
 17 air and $c = 343 \text{ m s}^{-1}$ is the speed of sound in air, is substituted for C_{ms} in Eq. (4).

18 Substituting $i = 0$ into Eq. (4), the specific acoustic impedance of the loudspeaker diaphragm (in open circuit) takes
 19 the form of a mass-spring-damper system

$$Z_s(\omega) = \frac{p}{v} = \frac{R_{ms}}{S_d} + j\omega \frac{M_{ms}}{S_d} + \frac{1}{j\omega S_d C_{mc}} \quad (5)$$

20 where it is assumed that Z_s is independent of the direction of incident sound, i.e. the diaphragm is a locally reacting
 21 surface. In order to achieve an actively tunable SDOF system, the target specific acoustic impedance can be formulated
 22 from Eq. (5) as

$$Z_{st}(\omega) = R_{st} + j \left(\mu_1 \frac{\omega M_{ms}}{S_d} - \frac{\mu_2}{\omega S_d C_{mc}} \right) \quad (6)$$

23 where R_{st} , μ_1 and μ_2 are design parameters used to assign a desired resistance, mass and compliance at the loudspeaker
 24 diaphragm, respectively.

25 From continuity considerations at the boundary surface of the electroacoustic liner, the normal acoustic velocity v_n
 26 is related to the diaphragm velocity v over the effective piston area S_d by

$$v_n = \sigma v \quad (7)$$

1 where $\sigma = S_d/S$ is the fractional effective area of a unit cell of surface S , as shown in Fig. 2 (b). Substituting Eq. (7)
 2 into Eq. (6), the non-dimensional specific acoustic resistance and reactance in Eq. (1) can be rewritten as

$$\theta = \frac{R_{st}}{\rho c \sigma} \quad \text{and} \quad \chi = \frac{1}{\rho c \sigma} \left(\mu_1 \frac{\omega M_{ms}}{S_d} - \frac{\mu_2}{\omega S_d C_{mc}} \right). \quad (8)$$

3 Equation (8) gives the relationship between the macroscopic parameters of the liner (θ and χ), the physical
 4 parameters of the loudspeaker, and the design parameters used to meet the desired acoustic specifications.

5 2.3. Electroacoustic transfer function

6 For a current-driven loudspeaker, the control law by which a conventional electrodynamic loudspeaker is turned
 7 into an electroacoustic absorber can be derived by substituting Eq. (6) into Eq. (4) as

$$i = \frac{S_d}{Bl} \left(1 - \frac{(j\omega)^2 M_{ms} + j\omega R_{ms} + \frac{1}{C_{mc}}}{(j\omega)^2 \mu_1 M_{ms} + j\omega S_d R_{st} + \frac{\mu_2}{C_{mc}}} \right) p \quad (9)$$

8 and after some manipulations, the corresponding electroacoustic transfer function can be expressed as a second-order
 9 biquadratic transfer function [33]

$$H(s) = K \frac{s^2 + \frac{\omega_z}{Q_z} s + \omega_z^2}{s^2 + \frac{\omega_p}{Q_p} s + \omega_p^2} \quad (10)$$

10 where $s = j\omega$ denotes the Laplace variable. The gain constant, characteristic frequency and quality factor of the
 11 numerator of Eq. (10) are given by

$$K = \left(1 - \frac{1}{\mu_1} \right) \frac{S_d}{Bl}, \quad \omega_z = \sqrt{\frac{\mu_2 - 1}{\mu_1 - 1}} \frac{1}{\sqrt{M_{ms} C_{mc}}}, \quad Q_z = \frac{(\mu_1 - 1) M_{ms}}{S_d R_{st} - R_{ms}} \omega_z, \quad (11)$$

12 and for the denominator in Eq. (10), the characteristic frequency and quality factor are

$$\omega_p = \sqrt{\frac{\mu_2}{\mu_1}} \frac{1}{\sqrt{M_{ms} C_{mc}}}, \quad Q_p = \frac{\sqrt{\mu_1 \mu_2}}{S_d R_{st}} \sqrt{\frac{M_{ms}}{C_{mc}}}. \quad (12)$$

13 Equation (10) corresponds to a tunable equalization filter which features adjustable gain at specified frequencies
 14 while leaving the remainder of the frequency response unchanged. The characteristics of Eq. (10) is completely
 15 determined by the five parameters K , ω_z , Q_z , ω_p and Q_p . This permits simple frequency response adjustment by
 16 changing the values of the design parameters μ_1 , μ_2 , and R_{st} , as indicated in Eqs. (11) and (12). Such a resonant
 17 filter can therefore be used to strengthen (boost) or attenuate (cut) the energy of specific frequency bands around the
 18 characteristic frequency. This basically involves (1) selecting the center frequency, (2) setting the Q value which
 19 determines the sharpness of the bandwidth, and (3) adjusting the gain constant which determines how much those
 20 frequencies are boosted or cut relative to frequencies much above or below the selected center frequency. Table 1
 21 examines the characteristics of the transfer function H in Eq. (10) as a function of the design parameters μ_1 , μ_2 and R_{st} .

22 As shown in Tab. 1, H is a second-order band-reject transfer function when the design parameters are such that
 23 $\mu_2 = \mu_1 < S_d R_{st} / R_{ms}$. In this case, Eq. (10) is a filter that attenuates a band of frequencies around the natural frequency
 24 of the loudspeaker while passing others unaltered. For $\mu_2 = \mu_1$ and $R_{st} = R_{ms} / S_d$, H becomes a notch filter and we have
 25 almost infinite attenuation at $\omega_z = \omega_p$. For $\mu_2 = \mu_1 > S_d R_{st} / R_{ms}$, on the other hand, H is a second-order band-boost
 26 transfer function. Then, Eq. (10) is a peak filter applying a known gain that depends on the design parameters in the
 27 passband centered on $\omega_z = \omega_p$, while leaving all frequencies outside the passband unaltered. The transfer function
 28 H degenerates into an all-pass filter for $\mu_1 = \mu_2 = S_d R_{st} / R_{ms}$. For $\mu_1 > \mu_2$, H is a low-boost filter ($\omega_p < \omega_z$) that can
 29 strengthen the energy of a specific frequency band below the natural frequency of the loudspeaker without filtering
 30 out the high frequencies, as a low-pass filter does. For $\mu_1 < \mu_2$, on the other hand, H is a high-boost filter that can
 31 strengthen the energy of a specific frequency band above the natural frequency of the loudspeaker. In both cases of low-
 32 or high-boost, the design parameters allows adjusting Q_p and Q_z . Note that for $\mu_1 = 1$, $K = 0$ and the liner is passive.
 33 When some of the open loop zeros, i.e. the roots of the numerator of Eq. (10), lie on the right-hand side of the complex
 34 s -plane, the system is non-minimum phase and is conditionally stable. Note also that Q_z may be negative if $\mu_1 > 1$ and
 35 $\mu_2 > 1$, in which case H is a non-minimum phase filter, while Q_p must always be positive.

Table 1: Main features of the electroacoustic transfer function (10) as a function of the design parameters μ_1, μ_2 and R_{st} .

| Design settings | Characteristic frequency | Q factors | Filter function |
|---|--------------------------|--|---------------------------|
| $0 < \mu_1 = \mu_2 < 1$ | $\omega_z = \omega_p$ | $Q_p < Q_z$ if $\mu_1 < S_d R_{st} / R_{ms}$ $Q_p > Q_z$ if $\mu_1 > S_d R_{st} / R_{ms}$ | band-reject band-boost |
| $\mu_1 = \mu_2 = \frac{S_d R_{st}}{R_{ms}}$ | $\omega_z = \omega_p$ | $Q_p = Q_z = \frac{1}{R_{ms}} \sqrt{\frac{M_{ms}}{C_{mc}}}$ | all-pass |
| $0 < \mu_2 < \mu_1 < 1$ | $\omega_z > \omega_p$ | $Q_p < Q_z$ if $\mu_2 < S_d R_{st} / R_{ms}$ $Q_p > Q_z$ if $\mu_2 > S_d R_{st} / R_{ms}$ | low-boost |
| $0 < \mu_1 < \mu_2 < 1$ | $\omega_z < \omega_p$ | $Q_p > Q_z$ if $\mu_1 > S_d R_{st} / R_{ms}$ $Q_p < Q_z$ if $\mu_1 < S_d R_{st} / R_{ms}$ | high-boost |

3. Wave propagation in a flow duct

This section presents the flow duct model used to study the performance of the electroacoustic liner flush mounted in the duct wall. It describes a rigid-walled duct of rectangular cross-section in the presence of a uniform mean flow and a multimodal excitation.

3.1. Mathematical formulation of the problem

Figure 3 illustrates the waveguide and coordinate system considered in this study¹. The acoustic medium is a frictionless, homogenous (ideal) fluid of mass density ρ subject to a steady axial flow with mean velocity u_0 that is assumed to be uniform over the cross section. The processes associated with wave motion are isentropic and fluctuating pressure amplitudes satisfy the linearized wave equation. Considering harmonic time dependence of the form $e^{j\omega t}$, the equations of the system described in Fig. 3 can be formulated in the frequency domain as follows:

- The convected 3D Helmholtz equation in the computational domain can be expressed in terms of the acoustic pressure p as [3, 34]

$$(1 - M^2) \frac{\partial^2 p}{\partial x^2} + 2jkM \frac{\partial p}{\partial x} + \frac{\partial^2 p}{\partial y^2} + \frac{\partial^2 p}{\partial z^2} + k^2 p = 0 \quad (13)$$

where $M = u_0/c$ is the flow Mach number, $k = \omega/c$ is the wavenumber, ω is the angular frequency (in rad/s), and c is the speed of sound in air (in m/s).

- For rigid-walled parts, the boundary conditions are given by

$$\frac{\partial p}{\partial y} = 0 \quad \text{at } y = 0, L_y \quad \text{and} \quad \frac{\partial p}{\partial z} = 0 \quad \text{at } z = 0, L_z \quad (14)$$

where L_y and L_z are the cross-sectional dimensions in the direction y and z , respectively.

- For treated wall parts defined by any impedance model Z corresponding to locally reacting liner or to the controlled electroacoustic absorber impedance given by Eq. (5), the Robin boundary conditions in the absence of flow are extended to a subsonic flow at Mach $M = u_0/c$ using the continuity of the acoustic normal displacement and acoustic pressure over an assumed infinite thin shear layer as [35, 36]

$$\frac{\partial p}{\partial z} = \frac{1}{j\omega Z} \left(j\omega - M \frac{\partial}{\partial x} \right)^2 p. \quad (15)$$

¹Note that the coordinate variable 'z' must not be confused with the non-dimensional specific acoustic impedance in Eq (1).

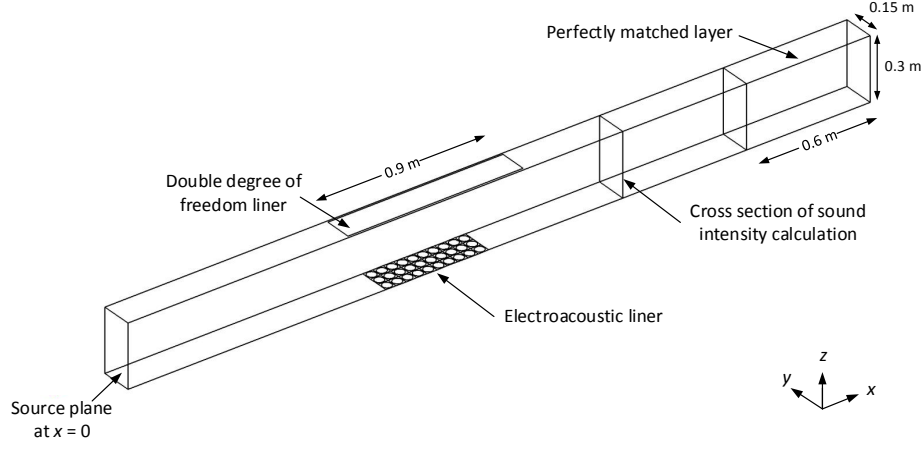


Figure 3: Geometry of the rectangular duct used in the numerical investigation.

- The boundary condition in the source plane located at $x = 0$ (see Fig. 3) is a second-order radiation boundary condition defined in the frequency domain as [37]

$$\frac{\partial}{\partial x}(p - p_i) + jk(p - p_i) + \frac{j}{2k} \left(\frac{\partial^2}{\partial y^2} + \frac{\partial^2}{\partial z^2} \right) (p - p_i) = 0, \quad (16)$$

where the incident pressure field is a superposition of plane waves

$$p_i(0, y, z) = \sum_m \sum_n A_{mn} \psi_{mn}(y, z), \quad (17)$$

which is solution of the convected homogeneous Helmholtz equation. This non-reflecting boundary condition provides a well-posed problem in the finite computational domain and ensures that very little spurious wave reflection occurs from the assumed source distribution. To achieve an exact non-reflecting boundary condition, the Dirichlet-to-Neumann condition should be used instead. The modal amplitudes A_{mn} and eigenfunctions ψ_{mn} in Eq. (17) will be described in Section 3.3.

- The boundary condition at the duct termination (right-hand side of Fig. 3) corresponds to a fully anechoic termination. In the numerical implementation described in Section 4.1, a perfectly matched layer (PML) is used to model this condition.

3.2. Insertion loss

After calculating the sound pressure in the computational domain, the insertion loss (IL) can be post-processed as described in this section. In the particular case of a duct with a uniform mean flow, the average intensity along the duct axis can be formulated as

$$I_x = \frac{1}{2\rho c} \text{Re} [(p + Mw)(w + Mp)^*], \quad (18)$$

where p is the complex sound pressure and $w = \rho c v_x$ is an auxiliary variable that is related to the complex acoustic velocity v_x along the duct axis. More details on the derivation of Eq. (18) are given in Appendix A.

The acoustic attenuation due to the electroacoustic lining is evaluated from the average intensity over a duct cross-section located downstream of the treated section. The IL is obtained according to

$$\text{IL} = 10 \log_{10} \frac{I_{x1}}{I_{x2}} \quad (19)$$

where the subscript 1 refers to the rigid-walled duct including the DDOF liner and subscript 2 refers to the rigid-walled duct including the DDOF liner and the electroacoustic liner, as shown in Fig. 3.

3.3. Decomposition of the acoustic pressure field

In this section, the decomposition of the acoustic pressure field is presented to provide the expression of sound excitation. In the duct section upstream of the treatment, the general solution of the boundary value problem given by Eqs. (13) and (14) can be obtained by separation of variables, and the acoustic pressure can be expressed in terms of rigid duct modes as [38]

$$p(x, y, z) = \sum_{m=0}^{\infty} \sum_{n=0}^{\infty} p_{mn}(x) \psi_{mn}(y, z), \quad (20)$$

where p_{mn} are modal coefficients and, for a duct with rectangular cross-section, the normalized eigenfunctions are [39]

$$\psi_{mn}(y, z) = \sqrt{(2 - \delta_{0m})(2 - \delta_{0n})} \cos\left(\frac{m\pi y}{L_y}\right) \cos\left(\frac{n\pi z}{L_z}\right).$$

where δ_{0m} is the Kronecker delta function.

From Eq. (17), the incident pressure field in the duct section upstream of the treatment is, for a particular mode (m, n) , given by

$$p_{mn}(x, y, z) = A_{mn} \psi_{mn}(y, z) e^{-jk_{xmn}x}, \quad (21)$$

and using the linearized momentum equation, the modal acoustic velocity along the x -axis is [40]

$$v_{xmn}(x, y, z) = \frac{1}{\rho c} \frac{\gamma_{mn} - M}{1 - M\gamma_{mn}} A_{mn} \psi_{mn}(y, z) e^{-jk_{xmn}x}. \quad (22)$$

Substituting Eq. (21) in Eq. (13) gives the axial wavenumber [41]

$$k_{xmn} = \frac{\gamma_{mn} - M}{1 - M^2} k, \quad (23)$$

where

$$\gamma_{mn} = \left[1 - \frac{1}{k^2} \left(\left(\frac{m\pi}{L_y} \right)^2 + \left(\frac{n\pi}{L_z} \right)^2 \right) (1 - M^2) \right]^{1/2}. \quad (24)$$

The condition for propagation of a given mode (m, n) is that k_{xmn} is real, i.e. $\gamma_{mn} \geq 0$, and the corresponding cut-on frequencies are

$$\omega_{mn} = c \sqrt{\left(\frac{m\pi}{L_y} \right)^2 + \left(\frac{n\pi}{L_z} \right)^2} (1 - M^2). \quad (25)$$

When the liners are considered in the duct, as the eigenfunctions ψ_{mn} form a complete basis, the pressure and axial velocity can be written in the equivalent matrix form

$$p(x, y, z) = \mathbf{\Psi}^T \mathbf{p} \quad \text{and} \quad v_x(x, y, z) = \mathbf{\Psi}^T \mathbf{v}, \quad (26)$$

where \mathbf{p} and \mathbf{v} are vectors of modal coefficients, respectively, and $\mathbf{\Psi}$ is a vector of mode shape functions.

Without prior knowledge on source distribution or modal content in the experimental wind tunnel, we assumed that the total sound power is equally distributed among all propagating modes. The calculation of the modal amplitudes corresponding to a constant modal sound power model [41, 42] is given below. The total sound power may be obtained by the integration of the average intensity (18) over the duct cross-section as

$$\Pi = \frac{1}{2\rho c} \int_0^{L_y} \int_0^{L_z} \text{Re} [(p + Mw)(w + Mp)^*] dydz. \quad (27)$$

From Eqs. (21-24) and (27), it can be shown that the acoustic power carried by a particular mode above cut-off in a uniform mean flow can be expressed as [40, 41]

$$\Pi_{mn} = (2 - \delta_{0m})(2 - \delta_{0n}) L_y L_z \frac{|A_{mn}|^2}{2\rho c} \gamma_{mn} \left(\frac{1 - M^2}{1 - M\gamma_{mn}} \right)^2. \quad (28)$$

1 In the case of the plane wave ($m = n = 0$), we have $\delta_{0m} = \delta_{0n} = 1$ and $\gamma_{mn} = 1$, and it follows that the total sound
 2 power transported by the duct is

$$\Pi = L_y L_z \frac{A_{00}^2}{2\rho c} (1 + M)^2. \quad (29)$$

3 Assuming now that the total sound power is equally distributed over N_m propagating modes, i.e. such that
 4 $\Pi_{mn} = \Pi/N_m$, the corresponding modal amplitudes can be expressed in terms of the plane wave amplitude A_{00} as

$$|A_{mn}|^2 = \frac{1}{(2 - \delta_{0m})(2 - \delta_{0n})} \frac{1}{\gamma_{mn}} \left(\frac{1 - M\gamma_{mn}}{1 - M} \right)^2 \frac{A_{00}^2}{N_m}. \quad (30)$$

5 Equation (30) is used to define the sound excitation in Section 4.1.

6 4. Results

7 This section provides numerical and experimental results that show the performance of the active electroacoustic
 8 liner described in Section 2, both in the absence and presence of flow. Without losing generality, an electroacoustic liner
 9 comprising an array of 3×10 loudspeakers arranged to fit the test section area of the duct flow facility is considered.

10 4.1. Numerical investigation

11 The convected 3D Helmholtz equation (13) with boundary conditions in Eqs. (14) and (15) is solved in the
 12 frequency domain using the finite element method (FEM). The problem is well posed and the discontinuity in the
 13 boundary condition and implementation of Robin boundary conditions (15) is conform with the commonly used weak
 14 formulation. The geometry and coordinates of the studied flow duct is illustrated in Fig. 3. The multimodal excitation
 15 is generated in the source plane ($x = 0$) as a combination of incident plane waves, the amplitudes of which are defined
 16 from Eq. (30). The non-reflecting boundary condition is simulated at the duct termination using a PML. The cut-on
 17 frequencies derived from Eq. (25) are given in Tab. 2 for the flow duct under consideration (cross-sectional area
 18 $0.3 \times 0.15 \text{ m}^2$). Note that this frequency domain simulation allow studying the steady state behaviour of the active liner
 19 only and does not take into account transient state.

Table 2: Cut-on frequencies up to 2 kHz for the flow duct considered in this study.

| Mode | No flow case ($M = 0$) | Flow case ($M = 0.15$) |
|-------------|--|--|
| (m, n) | $\omega_{mn}/2\pi$ | $\omega_{mn}/2\pi$ |
| (0, 1) | 567 Hz | 560 Hz |
| (0, 2) | 1133 Hz | 1121 Hz |
| (0, 3) | 1700 Hz | 1681 Hz |
| (1, 0) | 1133 Hz | 1121 Hz |
| (1, 1) | 1267 Hz | 1253 Hz |
| (1, 2) | 1602 Hz | 1585 Hz |
| (1, 3) | 2043 Hz | 2020 Hz |

20 In the software platform the loudspeaker diaphragms are modeled as vibrating pistons according to Eq. (4). The
 21 control law given in Eq. (9) is implemented as an ordinary differential equation. Noticeable differences were observed
 22 between loudspeakers during the experimental determination of their physical parameters. For the sake of simplicity,
 23 an average value calculated from the measurements was used in the model to describe each of the electromechanical
 24 parameters of the loudspeakers. To be consistent with the experimental investigation discussed below, a 0.9 m length
 25 DDOF liner is used in the opposite wall, as shown in Fig. 3. It is implemented in the FEM software platform using
 26 an impedance boundary condition. In our case, the DDOF liner includes a micro-perforated septum and is optimised
 27 for downstream propagation at $M = 0.5$. The corresponding impedance model Z_{ddof} has been numerically evaluated

1 through aeroacoustic simulations that provide a more precise model of the liner under grazing flow. Details are not
 2 provided here, however, readers who want to implement the model to validate the efficiency of the electroacoustic
 3 liner may use a model of the DDOF liner corresponding to Eq. (3) without loss of generality. A sound hard boundary
 4 condition is used elsewhere.

5 4.2. Computed results

6 A parametric study was carried out to evaluate the influence of the design parameters R_{st} , μ_1 and μ_2 on the liner
 7 specific acoustic impedance. The results presented below correspond to a set of specific values and are intended to show
 8 the capability of the electroacoustic liner to achieve broadband performance. Table 3 summarizes the liner acoustic
 9 performance for the studied configurations. The comparison of the IL calculated and measured from the values of Tab.
 10 3 is presented in Section 4.4. The determination of the optimal attenuation at specified frequencies with respect to the
 11 specific acoustic impedance of the liner is discussed in Section 4.5.

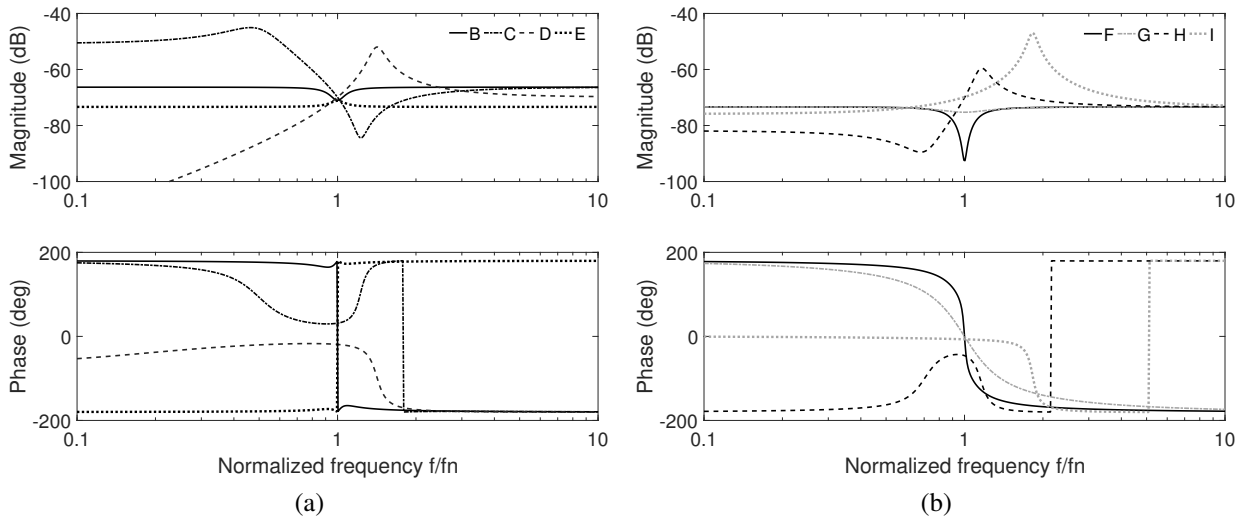


Figure 4: Bode plot of the transfer functions calculated from Eq. (10) for configurations B,C, D and E (a), and configurations F, G, H and I (b) (see Tab. 3).

12 Figure 4 shows the Bode plot of the electroacoustic transfer functions of Eq. (10) for the configurations listed in
 13 Tab. 3. As discussed above, these transfer functions correspond to the control law by which the loudspeaker is driven
 14 from the sound pressure at its diaphragm. As shown in Fig. 4, different frequency response functions can be obtained
 15 depending on the design parameters. When $\mu_1 = \mu_2 < S_d R_{st} / R_{ms}$ as in cases B, F and G, the electroacoustic transfer
 16 function is a band-reject filter whose center frequency is the natural frequency of the loudspeaker, as indicated in Tab. 1.
 17 As can be seen in Fig. 4 (a) and (b), the Q factor of the resonant filter depends directly on the value of the design
 18 parameters. When $\mu_1 = \mu_2 > S_d R_{st} / R_{ms}$ as in case E, on the other hand, Eq. (10) is a band-boost filter which presents a
 19 peak in the frequency response at the natural frequency of the loudspeaker. For $\mu_1 \neq \mu_2$ in Eq. (9), the corresponding
 20 electroacoustic function is a low-boost filter if the ratio $\mu_1 / \mu_2 > 1$ (see case C), and a high-boost filter if the ratio
 21 $\mu_1 / \mu_2 < 1$ (see cases D, H and I).

22 Figure 5 shows the non-dimensional specific acoustic impedance calculated from Eq. (6) for the studied configu-
 23 rations. This calculation result illustrates the specific acoustic impedance that is assigned to each diaphragm for the
 24 control settings listed in Table 3. As shown in Fig. 5, the design parameters used in the control law (9) make it possible
 25 to adjust the specific acoustic impedance of the loudspeakers diaphragm. By varying the ratio μ_1 / μ_2 for a given value
 26 of $R_{st} = \rho c / 2 < R_{ms} / S_d$ (see cases B, C, D, E, H, and I), it can be observed that the reactance of the loudspeaker
 27 diaphragm is changed: the resonance frequency (where the non-dimensional specific acoustic reactance curve crosses
 28 zero) is shifted and the slope is decreased compared with the uncontrolled loudspeaker (case A). Conversely, increasing
 29 the value for R_{st} for a constant ratio μ_1 / μ_2 (see cases E, F, and G in Fig. 5 (b)) results in an increase of the diaphragm
 30 specific acoustic resistance without modifying its reactance. Not shown in this paper, decreasing the value for R_{st}
 31 causes a decreases of the diaphragm resistance while leaving the reactance unchanged accordingly.

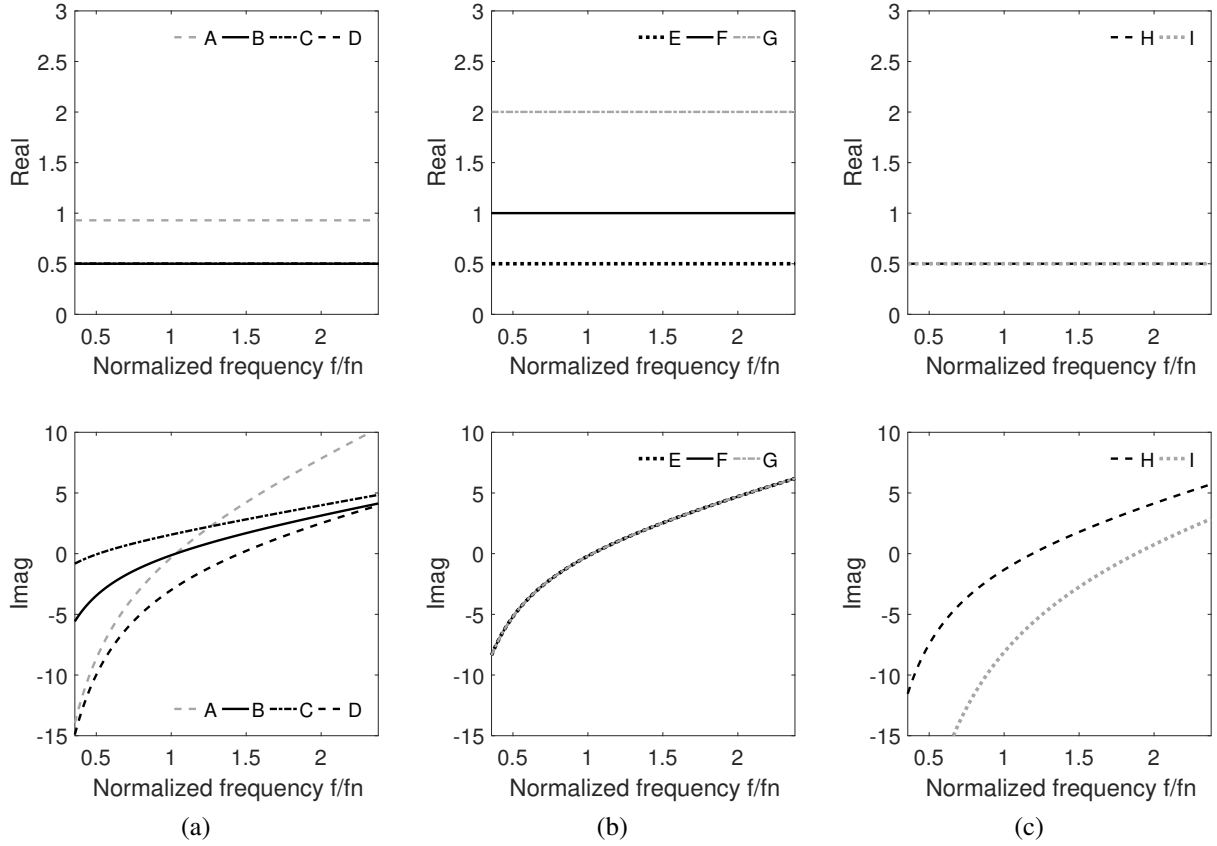


Figure 5: Real part and imaginary part of the non-dimensional specific acoustic impedance at the loudspeaker diaphragm calculated from Eq. (6) for configurations A,B,C and D (a), E,F, and G (b), and H and I (c) (see Tab. 3).

4.3. Experimental setup

Experiments were carried out to determine the performance of the electroacoustic liner prototype in terms of IL with and without airflow. The measurements were conducted in the flow duct facility of the Netherland Aerospace Center (NLR). As depicted in Fig. 6, the test section (length 1.05 m, cross-sectional area $0.3 \times 0.15 \text{ m}^2$) is flush-mounted into the wind tunnel that connects two reverberation chambers in which the sound pressure level (SPL) is measured to determine the acoustic attenuation provided by the treatment under grazing flow conditions [43]. The first duct cut-on frequency for $M = 0$ is 567 Hz for the no-flow case, which implies a multimodal propagation for $f > 567 \text{ Hz}$. The IL was measured by comparing the change in SPL due to the insertion of the electroacoustic liner into the duct connecting the two reverberation chambers, with air flowing through the treated section to simulate engine conditions. Sound excitation is generated in the sending (source) reverberation chamber using acoustic drivers. Over the frequency range of interest, the acoustic field inside the two reverberation chambers are considered to be diffuse. A rotating microphone located in the downstream reverberation chamber was used to obtain a spatially averaged value of the acoustic pressure. The averaging time of the spectrum analyzer is selected to be greater than the rotating period of the microphone. The IL is obtained by first measuring the SPL L_{p1} in the reverberation chambers with the 0.9 m DDOF liner only, and then measuring the SPL L_{p2} with the liner under study and the DDOF liner opposite to it. The difference (in decibels) measured in the downstream (receiving) reverberation chamber give the attenuation of the treatment, i.e. $IL = L_{p1} - L_{p2}$. This measured value takes into account source and termination effects. For experimental assessment, the sound pressure level of the excitation was around 114 dB.

The electroacoustic liner prototype shown in Fig. 7 (a) consists in an arrangement of 3 rows of 10 unit cells, each covering a surface area $S = 0.05 \times 0.05 = 0.0025 \text{ m}^2$. A unit cell includes a closed-box loudspeaker, four microphones distributed around the diaphragm and an electronic control board with microcontrollers. The average sound pressure

Table 3: Performance of the electroacoustic liner as a function of the configurations studied.

| Case | Design parameters value | | | | Computed value | | | Measured value | |
|--|-------------------------|---------------|---------------------|-------|-------------------------|-----------------|---------|-------------------------|---------|
| | R_{st} | μ_1/μ_2 | ω_p/ω_n | Q_p | ω_{res}/ω_n | $Z_{st}/\rho c$ | IL | ω_{res}/ω_n | IL |
| No flow ($M = 0$) | | | | | | | | | |
| A | no control | | | | 0.97 | $1.58 - 0.48j$ | 10.5 dB | 0.95 | 7.7 dB |
| B | $\rho c/2$ | 1 | 1 | 4.4 | 0.94 | $0.85 - 0.53j$ | 21.7 dB | 0.92 | 15.5 dB |
| C | $\rho c/2$ | 4 | 0.5 | 2.2 | 0.54 | $0.69 - 0.54j$ | 6.6 dB | 0.5 | 7.5 dB |
| D | $\rho c/2$ | 0.5 | 1.41 | 7.8 | 1.3 | $0.95 - 1.15j$ | 13.2 dB | 1.27 | 10.2 dB |
| Mean flow ($M = 0.15$) | | | | | | | | | |
| E | $\rho c/2$ | 1 | 1 | 6.6 | 0.95 | $0.87 - 0.63j$ | 20.4 dB | 0.95 | 14.9 dB |
| F | ρc | 1 | 1 | 3.3 | 0.95 | $1.66 - 0.56j$ | 10.2 dB | 0.95 | 10.0 dB |
| G | $2\rho c$ | 1 | 1 | 1.6 | 0.94 | $3.18 - 0.81j$ | 5.4 dB | 0.95 | 7.4 dB |
| H | $\rho c/2$ | 0.75 | 1.15 | 7.6 | 1.1 | $1.02 - 0.78j$ | 15.4 dB | 1.09 | 10.7 dB |
| I | $\rho c/2$ | 0.3 | 1.83 | 12 | 1.72 | $1.11 - 1.60j$ | 5.0 dB | 1.70 | 5.8 dB |

1 obtained from the four microphones is used as input to the controller. The loudspeakers have been specifically designed
2 at the Centre de Transfert de Technologie du Mans (CTTM) to meet specified geometric and technological requirements.
3 Not shown in this paper, the electronic control board can provide up to 250 mA per loudspeaker for a power supply
4 voltage of 5 V, a peak power rating of 1.25 W. The total electrical power of the active liner in operation is between
5 12.5 W and 30 W. Moreover, a protective grid is added in front of the electroacoustic liner so as to protect the diaphragm
6 from the air flow. It simply consists of a thin perforated polycarbonate plate (2 mm thick, 1.8 mm hole diameter) with a
7 large open area so as not to add additional acoustic resistance to the lining.

8 4.4. Experimental validation

9 Numerically computed and experimentally obtained acoustic performance comparisons are presented in Fig. 8.
10 Numerical predictions of the sound attenuation are in good agreement with the measured data, both in the presence of
11 flow and in the absence of flow. The differences observed between measurements and simulations are partly due to some
12 variation in the loudspeakers electromechanical parameters, which can be up to 10% between any two loudspeakers.
13 This dispersion causes the diaphragms to present different resonance frequencies and internal mechanical losses. In the
14 experimental results presented above, these differences are not compensated in the control law. Moreover, the gain
15 value μ_1/μ_2 can amplify the differences, as in cases C, D, H and I. In the model, however, the values of the parameters
16 applied to the diaphragms correspond to the average of the values of the electromechanical parameter measured on
17 all the loudspeakers. This explains why the performance is overestimated in the simulations. Note also that the load
18 impedance of the reverberation chamber is not included in the simulation, which may also explain some of the observed
19 discrepancies between calculated and measured data. As expected, the active electroacoustic liner prototype provides a
20 very high level of IL in the low frequency range around the loudspeaker resonance frequency (see cases B and E). As
21 shown in Fig. 8, the peak of maximum attenuation obtained experimentally for the configurations studied is about 15
22 dB at $0.94 \cdot f_n$, i.e. around the natural frequency of the loudspeakers. By adjusting the design parameters, furthermore,
23 a good attenuation can be achieved in a wide frequency range, between $f_n/2$ and almost $2 \cdot f_n$ Hz for the configurations
24 studied in this paper. As expected by varying the ratio μ_1/μ_2 , the peak of attenuation is shifted in a frequency range
25 that is close to the center frequency of the corresponding electroacoustic filter, which is given by $\sqrt{\mu_2/\mu_1} \cdot f_n$ (see
26 Tab. 3), where $f_n = 1/(2\pi \sqrt{M_{ms} C_{mc}})$ is the natural frequency of the loudspeaker. The moderate reduction obtained by
27 control below and above the natural frequency of the loudspeaker, respectively 7.5 dB at $0.54 \cdot f_n$ for case C with a

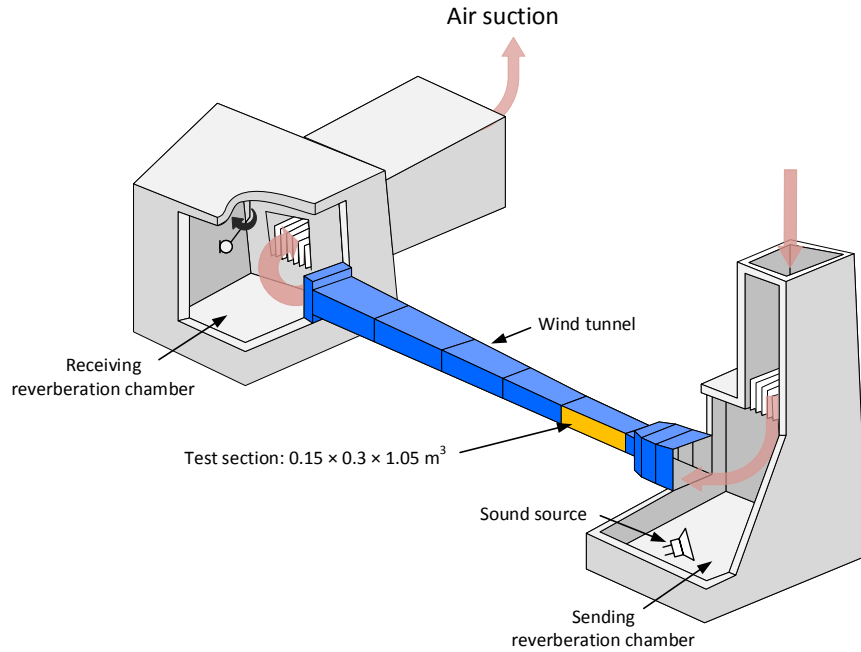


Figure 6: Acoustic flow duct facility used in the experimental assessment at NLR.

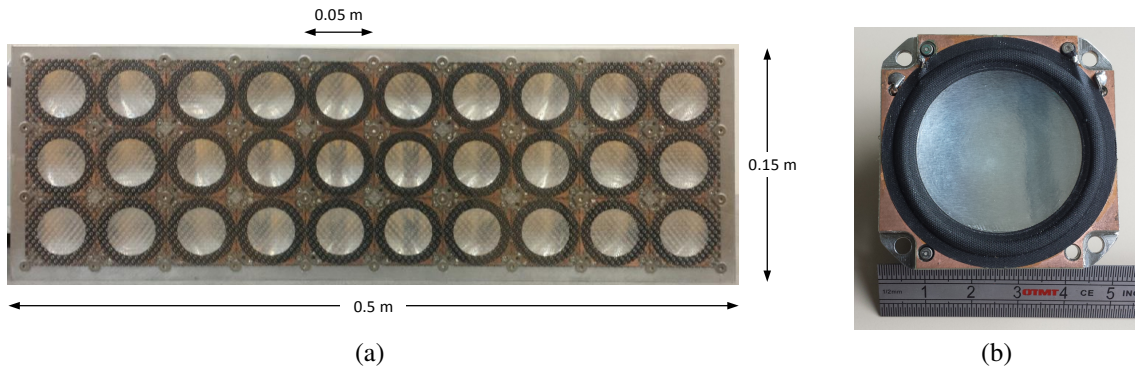


Figure 7: Pictures and dimensions of the electroacoustic liner prototype (a) and single control unit (b).

1 ratio $\mu_1/\mu_2 = 4$ and 5.8 dB at $1.72 \cdot f_n$ for case I with a ratio $\mu_1/\mu_2 = 0.3$, is consistent with the theory.

2 **4.5. Maximum achievable attenuation**

3 A second parametric study was performed afterwards to determine which specific acoustic impedance would lead
 4 to the maximum attenuation under the same experimental conditions. The corresponding values in terms of the design
 5 parameters can be derived from Eq. (8). Figure 9 shows the constant attenuation contours in dB with and without
 6 airflow computed as a function of the liner complex impedance at some specified frequencies (see Tab. 3). As shown in
 7 Fig. 9, the maximum IL level for the flow duct model and a multimodal excitation is frequency dependent. Overall, it is
 8 found that the optimal acoustic resistance and reactance both increase with frequency, with or without flow. As can
 9 be seen in Fig. 9 (a), the maximum attenuation below the natural frequency of the loudspeaker is expected for a low
 10 resistance, i.e. $z \simeq 0.2 - 0.6j$ at $f = 0.54 \cdot f_n$ Hz; the maximum IL is calculated at almost 45 dB. Around the natural
 11 frequency of the loudspeaker the maximum IL reaches 35.4 dB for $z \simeq 0.5 - 0.55j$ at $f = 0.94 \cdot f_n$ Hz, and 17.1 dB for

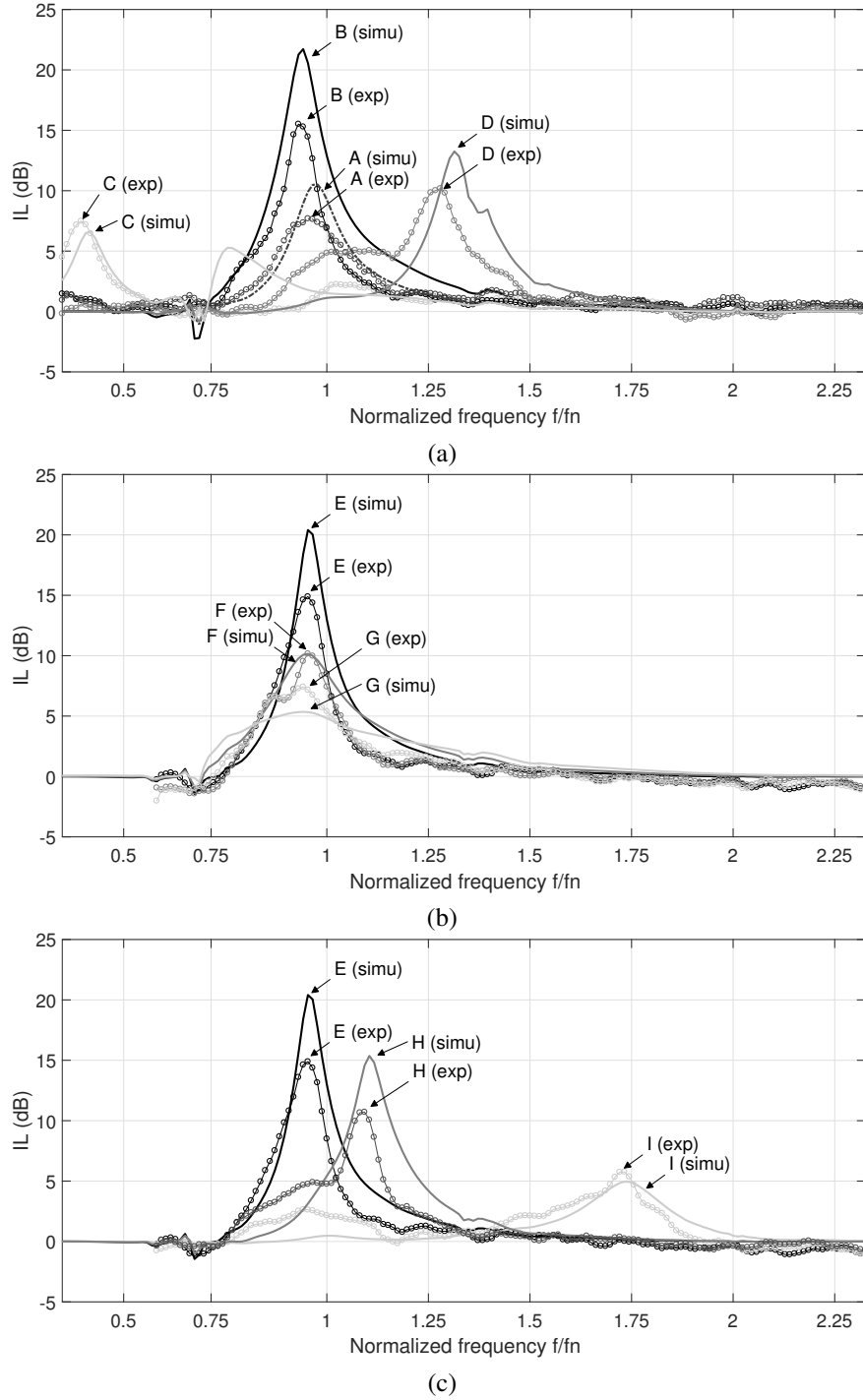


Figure 8: Comparisons of acoustic attenuation in terms of IL for the design parameters given in Tab. 3 ; (a) shows the IL obtained in the absence of mean flow ($M = 0$) for case A (passive electroacoustic liner), case B ($R_{st} = \rho c/2$ and $\mu_1/\mu_2 = 1$), case C ($R_{st} = \rho c/2$ and $\mu_1/\mu_2 = 4$), and case D ($R_{st} = \rho c/2$ and $\mu_1/\mu_2 = 0.5$); (b) and (c) show the IL obtained in the presence of low mach number flow ($M = 0.15$) for case E ($R_{st} = \rho c/2$ and $\mu_1/\mu_2 = 1$), case F ($R_{st} = \rho c$ and $\mu_1/\mu_2 = 1$), case G ($R_{st} = 2\rho c$ and $\mu_1/\mu_2 = 1$), case H ($R_{st} = \rho c/2$ and $\mu_1/\mu_2 = 0.75$) and case I ($R_{st} = \rho c/2$ and $\mu_1/\mu_2 = 0.3$). Computed data are plotted in solid line and measured data are plotted in solid line with circle markers.

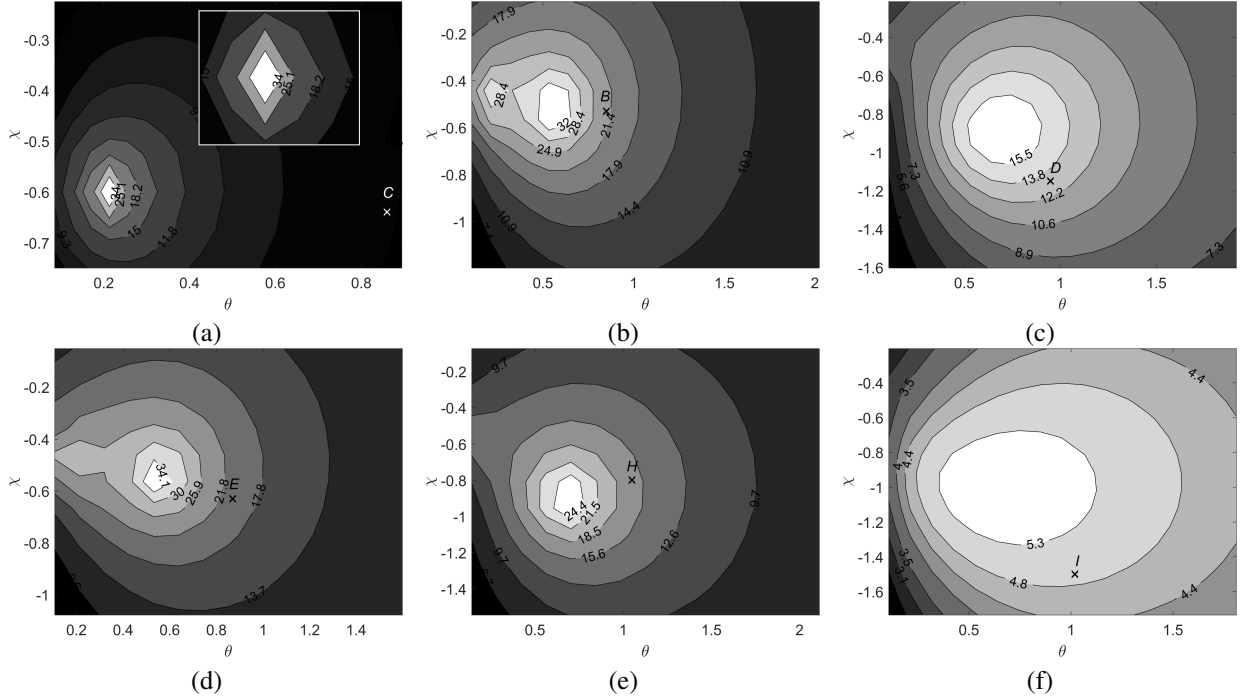


Figure 9: Constant IL contours (in dB) calculated as a function of the non-dimensional specific acoustic resistance and reactance of the liner in the absence of flow, (a) at $f = 0.54 \cdot f_n$ Hz, (b) at $f = 0.94 \cdot f_n$ Hz, and (c) at $f = 1.3 \cdot f_n$ Hz, and with airflow, (d) at $f = 0.95 \cdot f_n$ Hz, (e) at $f = 1.1 \cdot f_n$ Hz, and (f) at $f = 1.72 \cdot f_n$ Hz. The configuration studied at those particular frequencies is plotted with marker 'x' (see Tab. 3).

1 $z \approx 0.7 - 0.85j$ at $f = 1.3 \cdot f_n$ Hz. In the presence of flow, the maximum IL level is a bit higher compared to the no
2 flow case and reaches 38.2 dB for a non-dimensional specific acoustic impedance $z \approx 0.55 - 0.55j$ at $f = 0.95 \cdot f_n$ Hz;
3 the maximum IL is of about 27.4 dB $z \approx 0.65 - 0.9j$ at $f = 1.1 \cdot f_n$ Hz, and 5.4 dB for $z \approx 0.75 - 1j$ at $f = 1.72 \cdot f_n$
4 Hz. As can be seen in Fig. 9, the lower the frequency, the smaller the optimal attenuation area in the complex s -plane.
5 Maximum IL is much more sensitive to small variations in impedance in lower than in high frequencies.

6 4.6. Discussion

7 Experimental results confirm that the active lining concept allows to locally achieve a given acoustic impedance,
8 which can be adjusted in real time to, for example, adapt to the speed of the engine. The wind tunnel tests were
9 performed for a maximum flow velocity of $M = 0.15$ to prevent flow-induced noise from overloading the microphones
10 of the active liner, which corresponds to a sound pressure level around 114 dB close to the lining section. It is worth
11 mentioning that noise in engine nacelles can typically reach 160 dB and flow velocity $M = 0.6$. Of primary concern
12 in real-world applications is therefore the capability of the active electroacoustic absorbers to interact with the fan
13 noise and to withstand potentially high amplitude of pressure fluctuations within the engine nacelle environment. For
14 operation in the low- and mid-frequency range, typically below 2 kHz, conventional electrodynamic loudspeakers are
15 efficient and reliable, but they have a lightweight diaphragm that would be likely to damage from intense fluctuating
16 pressures. Even though no damage to the loudspeaker diaphragms was found during the tests carried out under
17 those conditions, the mechanical rigidity of the diaphragm and the accuracy of the lumped element model for harsh
18 conditions should be both considered in future work. An alternative would be to use a piezo-electric transducer
19 bonded to an aluminum diaphragm. This approach is more compact and lightweight and can be designed to have a
20 high mechanical impedance, protecting it from high fluctuating pressure amplitudes. The drawback is that the high
21 mechanical impedance would restrict vibration amplitude.

22 This active liner concept is based on a multi-channel decentralised control system. Each processor (or node) receives
23 a single sensor signal (here the average pressure of the four microphone around the diaphragm) from which a single
24 control signal is delivered to the loudspeaker driver. The decentralised control scheme allows for parallel computation

1 of control variables but absence of communication between controllers may limit the achievable performance. The
 2 advantage of the decentralised architecture is, however, to be robust even if some of the control units are disabled.
 3 During the experiment in the wind tunnel, some control units were disabled without disturbing the other electroacoustic
 4 absorbers.

5 In contrast to ducted ventilation systems and mufflers where the small cross-section predominantly allows the
 6 propagation of plane waves, the transverse dimensions of high-bypass turbofan engine nacelle permit wave propagation
 7 of many higher-order modes. To approximate such a multimodal excitation, the simulations were carried out in the
 8 frequency domain by generating a constant modal sound intensity distribution [42] in the source plane at the duct
 9 inlet. In a flow duct facility such as that shown in Fig. 6, on the other hand, the phase angles of the propagation modes
 10 depend, among other things, on the space-time pattern of the fan noise source distribution. If source distributions with
 11 temporal and spatial incoherence are assumed, the phase angles vary randomly with space and time, as discussed by
 12 Doak [39]. In this study, modal contributions were applied in the source plane without taking into account temporal and
 13 spatial incoherence between them. To provide a more realistic excitation, it would be interesting to consider the effects
 14 of random spatial and temporal character of the source distribution in future work. In addition, time-domain simulation
 15 should be also considered to account for arbitrary base flow conditions and transient and non-linear propagation
 16 phenomena. In this regard, it would be valuable to verify that the equivalent time-domain impedance boundary
 17 condition is physically realizable, i.e. the impedance function must be causal, real, and passive [31].

18 5. Conclusion

19 This paper presents an active lining concept based on an arrangement of electroacoustic absorbers, consisting in
 20 feedback-controlled loudspeaker membranes in a decentralised scheme, and its application to duct modes damping.
 21 This electroacoustic liner was theoretically studied using a lumped element model and its ability to achieve a desired
 22 specific acoustic impedance in a flow duct was evaluated. The IL of the liner was calculated numerically for various
 23 design parameters and compared to measurements performed in a flow duct facility. The parametric study carried out by
 24 simulation showed the influence of the design parameters on the overall performance of the liner. This electroacoustic
 25 liner has an attenuation potential comparable to that of a conventional passive liner, but offers greater flexibility to
 26 achieve a given complex acoustic impedance in the low frequencies, which is moreover adaptive in real time. It is
 27 shown that the acoustic resistance and reactance of the liner can be tuned independently, which allows the duct modes
 28 to be attenuated over a bandwidth of two octaves around the resonance frequency of the loudspeakers. The level of
 29 peak attenuation and target frequency are, for a given duct geometry and flow condition, controlled by the diaphragm
 30 acoustic resistance R_{st} and reactance through the ratio μ_2/μ_1 , respectively, and related to the percentage of effective
 31 area σ of the liner. When the target frequency is below the natural frequency of the loudspeaker, the target resistance
 32 R_{st} decreases rapidly and may be much less than ρc . In addition to offering an adaptive locally reacting impedance, one
 33 advantage of the multi-channel decentralised control system used to implement the liner is that it remains robust even if
 34 some of the control units are disabled. In future work, it is planned to combine the decentralised control scheme with a
 35 distributed control law [21] to improve performance.

36 Acknowledgment

37 This project has received funding from the European Union's Seventh Framework Programme for research
 38 technological development and demonstration under grant agreement no 604999. The authors would like to acknowledge
 39 Safran Nacelles and NLR for the support, and Rik Wijntjes for his contribution during the experiments. FEMTO-ST
 40 contribution received support from Labex ACTION program (ANR-11-LABX-0001-01).

41 Appendix A. Sound intensity in a uniform mean flow

42 In the presence of flow $\mathbf{M} = \mathbf{u}_0/c$, where \mathbf{u}_0 is the steady-state flow velocity, the instantaneous sound intensity
 43 vector is defined as [40]

$$\mathbf{I}_i(t) = p(t)\mathbf{v}(t) + \frac{\mathbf{M}}{\rho c}p^2(t) + \mathbf{M}(\mathbf{M} \cdot \mathbf{v}(t)p(t)) + \rho c\mathbf{v}(t)(\mathbf{v}(t) \cdot \mathbf{M}), \quad (\text{A.1})$$

1 where $p(t)$ and $\mathbf{v}(t)$ are the instantaneous sound pressure and acoustic velocity and \mathbf{M} is the Mach number. The
 2 time-averaged active sound intensity vector is given by

$$\mathbf{I} = \langle \mathbf{I}_i(t) \rangle = \frac{1}{2} \text{Re} \left[p \mathbf{v}^* + \frac{\mathbf{M}}{\rho c} p p^* + \mathbf{M} (\mathbf{M} \cdot (p \mathbf{v}^*)) + \rho c \mathbf{v} (\mathbf{v}^* \cdot \mathbf{M}) \right], \quad (\text{A.2})$$

3 where $*$ denotes the complex conjugate.

4 In the particular case of a duct with a uniform mean flow such that \mathbf{M} is parallel to the duct axis, the component of
 5 the time-averaged active sound intensity vector along the duct axis can be expressed as:

$$I_x = \frac{1}{2} \text{Re} \left[p v_x^* (1 + M^2) + M \left(\frac{p p^*}{\rho c} + \rho c v_x v_x^* \right) \right]. \quad (\text{A.3})$$

6 where p and v_x are the complex sound pressure and axial acoustic velocity and M is the Mach number. By introducing
 7 the auxiliary variable $w = \rho c v_x$, Eq. (A.3) can be rewritten as Eq. (18).

8 References

- 9 [1] P.M. Morse and K.U. Ingard, *Theoretical acoustics*, McGraw-Hill, New York (1968).
 10 [2] A.W. Guess, Calculation of perforated plate liner parameters from specified acoustic resistance and reactance, *J. Sound Vib.* 40(1) (1975)
 11 119-137.
 12 [3] M.L. Munjal, *Acoustics of ducts and mufflers with application to exhaust and ventilation system design*, John Wiley & Sons, (1987).
 13 [4] M.G. Jones, M.B. Tracy, W.R. Watson, and T.L. Parrot, Effect of liner geometry on acoustic impedance, *8th AIAA/CEAS Aeroacoustics*
 14 *Conference & Exhibit*, 17-19 June 2002, Breckenridge, CO, USA, AIAA Paper 2002-2446.
 15 [5] L. Cremer, Theorie des Luftschall-Dämpfung im Rechteckkanal mit schluckender Wand und das sich dabei ergebende höchste Dämpfungsmaß
 16 [Theory regarding the attenuation of sound transmitted by air in a rectangular duct with an absorbing wall, and the maximum attenuation
 17 constant produced during this process], *Acustica* 3 (1953) 249-263.
 18 [6] B.J. Tester, The optimization of modal sound attenuation in ducts, in the absence of mean flow, *J. Sound Vib.* 27(4) (1973) 477-513.
 19 [7] B.J. Tester, The propagation and attenuation of sound in lined ducts containing uniform or "plug" flow, *J. Sound Vib.* 28(2) (1973) 151-203.
 20 [8] W.R. Watson, M.G. Jones, S.E. Tanner, and T.L. Parrot, Validation of a numerical method for extracting liner impedance, *AIAA J.* 34(3) (1996)
 21 548-554.
 22 [9] R. Troian, D. Dragna, C. Bailly, and M.A. Galland, Broadband liner impedance reduction for multimodal acoustic propagation in the presence of
 23 a mean flow, *J. Sound Vib.* 392 (2017) 200-216.
 24 [10] H.F. Olson, E.G. May, Electronic Sound Absorber, *J. Acous. Soc. Am.* 25 (1953) 1130-1136.
 25 [11] D. Guicking and E. Lorentz, An active sound absorber with porous plate, *J. Vib. Acoust. Stress Reliability Des.* 106 (1984) 389-392.
 26 [12] M. Furstoss, D. Thenail, and M.A. Galland, Surface impedance control for sound absorption: direct and hybrid passive/active strategies, *J.*
 27 *Sound Vib.* 203(2) (1997) 219-236.
 28 [13] M.A. Galland, N. Sellen, and M. Cuesta, Hybrid passive/active absorbers for flow ducts, *Appl. Acoust.* 66 (2005) 691-708.
 29 [14] N. Sellen, M. Cuesta, and M.A. Galland, Noise reduction in a flow duct: implementation of a hybrid passive/active solution, *J. Sound Vib.* 297
 30 (2006) 492-511.
 31 [15] B. Betgen, M.A. Galland, E. Piot, and F. Simon, Implementation and non-intrusive characterization of a hybrid active-passive liner with grazing
 32 flow, *Appl. Acoust.* 73 (2012) 624-638.
 33 [16] R.E. Kraft and K.B. Kontos, Active acoustic liner, US Patent, US 5,498,127 A (1996).
 34 [17] H. Zhao and X. Sun, Active control of wall acoustic impedance, *AIAA J.* 37(7) (1999) 825-831.
 35 [18] S. Horowitz, T. Nishida, L.N. Cattafesta, and M. Sheplak, Characterization of a compliant-backplate Helmholtz resonator for an electromechanical
 36 acoustic liner, *International J. Aeroacoustics* 1 (2) (2002) 283-205.
 37 [19] A.S. Hersh and J. Tso, Extended frequency range Helmholtz resonators, US Patent, US 5,119,427 (1992).
 38 [20] C.A. Parente, N. Arcas, B.E. Walker, A.S. Hersh, and E.J. Rice, Hybrid active/passive jet engine noise suppression system, NASA/CR
 39 1999-208875 (1999).
 40 [21] M. Collet, P. David, and M. Berthillier, Active acoustical impedance using distributed electro-dynamical transducers, *J. Acoust. Soc. Am.* 125(2)
 41 (2009) 882-894.
 42 [22] H. Lissek, Shunt loudspeaker technique for use as acoustic liner, 38th International Congress and Exposition on Noise Control Engineering,
 43 INTER-NOISE 2009, 23-26 August, Ottawa, Canada.
 44 [23] R. Boulandet and H. Lissek, Optimization of electroacoustic absorbers by means of designed experiments, *Appl. Acoust.* 71 (2010) 830-842.
 45 [24] H. Lissek, R. Boulandet, and R. Fleury, Electroacoustic absorbers: bridging the gap between shunt loudspeakers and active sound absorption, *J.*
 46 *Acoust. Soc. Am.* 129(5) (2009) 2968-2978.
 47 [25] R. Boulandet and H. Lissek, Toward broadband electroacoustic resonators through optimized feedback control strategies, *J. Sound Vib.* 333
 48 (2014) 4810-4825.
 49 [26] R. Boulandet, E. Rivet, and H. Lissek, Sensorless electroacoustic absorber through synthesized electrical impedance, *Acta Acust. united Acust.*
 50 102 (2016) 696-704.
 51 [27] E. Rivet, S. Karkar, and H. Lissek, Broadband low-frequency electroacoustic absorbers through hybrid sensor-/shunt-based impedance control,
 52 *IEEE Transactions on Control Systems Technology* 25 (1) (2017) 63-72.

- 1 [28] S.H. Ko, Sound attenuation in lined rectangular ducts with flow and its application to the reduction of aircraft engine noise, *J. Acoust. Soc. Am.*
2 50(6) (1971) 1418-1432.
- 3 [29] R.E. Motesinger and R.E. Kraft, Design and performance of duct acoustic treatment, *Aeroacoustics of flight vehicles: Theory and Practice*, H.H.
4 Hubbard (Ed.), NASA RP-1258, 2 (1991) 165-206.
- 5 [30] C.K.W. Tam and L. Auriault, Time domain impedance boundary for computational aeroacoustics, *AIAA J.* 34(5) (1996) 917-923.
- 6 [31] S.W. Rienstra, Impedance models in time domain including the extended Helmholtz resonator model, 12th AIAA/CEAS Aeroacoustics
7 Conference, 8-10 May 2006, Cambridge, USA, AIAA Paper 2006-2686.
- 8 [32] C. Richter, F.H. Thiele, X. Li, and M. Zhuang, Comparison of time-domain impedance boundary conditions for lined duct flows, *AIAA J.* 45(6)
9 (2007) 1333-1345.
- 10 [33] W.K. Chen, *The Circuits and Filters Handbook*, CRC Press, Boca Raton, (1995).
- 11 [34] D.L. Lansing and W.E. Zorumski, Effect of wall admittance changes on duct transmission and radiation of sound, *J. Sound Vib.* 27(1) (2016)
12 85-100.
- 13 [35] K.U. Ingard, Influence of fluid motion past a plane boundary on reflection, absorption, and transmission, *J. Acoust. Soc. Am.* 31(7) (1959)
14 1035-1036.
- 15 [36] M.K. Myers, On the acoustic boundary condition in the presence of flow, *J. Sound Vib.* 71(8) (1980) 429-434.
- 16 [37] D. Givoli, B. Neta, High-order non-reflecting boundary scheme for time-dependent waves, *J. Comp. Phys.* 186 (2003) 24-46.
- 17 [38] V. Pagneux, N. Amir, and J. Kergomard, A study of wave propagation in varying cross-section waveguides by modal decomposition. Part I.
18 Theory and validation, *J. Acoust. Soc. Am.* 100(4) (1996) 2034-2048.
- 19 [39] P.E. Doak, Excitation, transmission and radiation of sound from source distributions in hard-walled ducts of finite length (I): the effect of duct
20 cross-section geometry and source distribution space-time pattern, *J. Sound Vib.* 31(1) (1980) 1-72.
- 21 [40] C.L. Morfey, Sound transmission and generation in ducts with flow, *J. Sound Vib.* 14 (1) (1971) 37-55.
- 22 [41] P. Joseph, C.L. Morfey, C.R. Lewis, Multi-mode sound transmission in duct with flow, *J. Sound Vib.* 264 (2003) 523-544.
- 23 [42] W. Neise, W. Frommhold, F.P. Mechel, and F. Holste, Sound power determination in rectangular flow ducts, *J. Sound Vib.* 174(2) (1994)
24 201-237.
- 25 [43] ASTM E477-13e1 Standard test method for laboratory measurements of acoustical and airflow performance of duct liner materials and
26 prefabricated silencers, ASTM International, West Conshohocken, PA (2013).