



**HAL**  
open science

# HireNet: A Hierarchical Attention Model for the Automatic Analysis of Asynchronous Video Job Interviews

Léo Hemamou, Ghazi Felhi, Vincent Vandebussche, Jean-Claude Martin, Chloé Clavel

► **To cite this version:**

Léo Hemamou, Ghazi Felhi, Vincent Vandebussche, Jean-Claude Martin, Chloé Clavel. HireNet: A Hierarchical Attention Model for the Automatic Analysis of Asynchronous Video Job Interviews. Thirty-Third AAAI Conference on Artificial Intelligence, Jan 2019, Honolulu, United States. pp.573-581, 10.1609/aaai.v33i01.3301573 . hal-02370842

**HAL Id: hal-02370842**

**<https://hal.science/hal-02370842>**

Submitted on 19 Nov 2019

**HAL** is a multi-disciplinary open access archive for the deposit and dissemination of scientific research documents, whether they are published or not. The documents may come from teaching and research institutions in France or abroad, or from public or private research centers.

L'archive ouverte pluridisciplinaire **HAL**, est destinée au dépôt et à la diffusion de documents scientifiques de niveau recherche, publiés ou non, émanant des établissements d'enseignement et de recherche français ou étrangers, des laboratoires publics ou privés.

# HireNet: a Hierarchical Attention Model for the Automatic Analysis of Asynchronous Video Job Interviews

Léo Hemamou<sup>1,2,3</sup>, Ghazi Felhi<sup>1</sup>, Vincent Vandebussche<sup>1</sup>, Jean-Claude Martin<sup>2</sup>, Chloé Clavel<sup>3</sup>

<sup>1</sup>EASYRECRUE, 3 bis Rue de la Chaussée d'Antin, 75009 Paris, France

<sup>2</sup>LIMSI, CNRS, Paris-Sud University, Paris-Saclay University / F-91405 Orsay, France

<sup>3</sup>LTCI, Télécom ParisTech, Paris-Saclay University / F-75013 Paris, France

{l.hemamou,g.felhi,v.vandebussche}@easyrecrue.com, Jean-Claude.Martin@limsi.fr, chloe.clavel@telecom-paristech.fr

## Abstract

New technologies drastically change recruitment techniques. Some research projects aim at designing interactive systems that help candidates practice job interviews. Other studies aim at the automatic detection of social signals (*e.g.* smile, turn of speech, etc...) in videos of job interviews. These studies are limited with respect to the number of interviews they process, but also by the fact that they only analyze simulated job interviews (*e.g.* students pretending to apply for a fake position). Asynchronous video interviewing tools have become mature products on the human resources market, and thus, a popular step in the recruitment process. As part of a project to help recruiters, we collected a corpus of more than 7000 candidates having asynchronous video job interviews for real positions and recording videos of themselves answering a set of questions. We propose a new hierarchical attention model called HireNet that aims at predicting the hirability of the candidates as evaluated by recruiters. In HireNet, an interview is considered as a sequence of questions and answers containing salient social signals. Two contextual sources of information are modeled in HireNet: the words contained in the question and in the job position. Our model achieves better F1-scores than previous approaches for each modality (verbal content, audio and video). Results from early and late multi-modal fusion suggest that more sophisticated fusion schemes are needed to improve on the monomodal results. Finally, some examples of moments captured by the attention mechanisms suggest our model could potentially be used to help finding key moments in an asynchronous job interview.

## Introduction

Among assessment methods, the job interview remains the most common way to evaluate candidates. The interview can be done via phone, live video, face to face, or more recently asynchronous video interview. For the latter, candidates connect to a platform, and record themselves while answering a set of questions chosen by the recruiter. The platform then allows several recruiters to evaluate the candidate, to discuss among themselves and possibly to invite the candidate to a face-to-face interview. Recruiters choose to use these platforms because it gives them access to a larger pool of candidates, and it speeds up the application processing time. In addition, it allows candidates to do the

interview whenever and wherever it suits them the most. However, given a large number of these asynchronous interviews it may quickly become unmanageable for recruiters. The highly structured characteristic of asynchronous video interviews (same questions, same amount of time per candidate) enhances their predictive validity, and reduces inter-recruiter variability (Schmidt 2016). Moreover, recent advances in Social Signal Processing (SSP) (Vinciarelli 2014) have enabled automated candidate assessment (Chen et al. 2017), and companies have already started deploying solutions serving that purpose. However, previous studies used corpora of simulated interviews with limited sizes. The work proposed in this paper relies on a corpus that has been built in collaboration with a company and that consists of more than 7000 real job interviews for 475 open positions. The size of this corpus enables the exploration of emerging models such as deep learning models, that are known to be difficult to deploy for Social Computing because of the difficulty to obtain large annotations of social behaviors. Based on those facts, we propose HireNet, a new hierarchical attention neural network for the purpose of automatically classifying candidates into two classes: *hirable* and *not hirable*. Our model aims to assist recruiters in the selection process. It does not aim to make any automatic decision about candidate selection. First, this model was built to mirror the sequential and hierarchical structure of an interview assessment: recruiters watch a sequence of questions and answers, which are themselves sequences of words or behavioral signals. Second, the HireNet model integrates the context of the open position (questions during the interview and job title) in order both to determine the relative importance between question-answer pairs and to highlight important behavioral cues with regard to a question. Third, HireNet attention mechanisms enhance the interpretability of our model for each modality. In fact, they provide a way for recruiters to validate and trust the model through visualization, and possibly for candidates to locate their strengths or areas of improvement in an interview.

In this paper, we first present an overview of the related works for automatic video interview assessment. Then we go through the construction and the underlying hypotheses of HireNet, our neural model for asynchronous video interview assessment. After, we discuss the binary classification results of our model compared to various baselines, and

show salient interview slices highlighted by the integrated attention mechanisms. Finally we conclude and discuss the future directions of our study.

## Related Work

### Databases

To the best of our knowledge, only one corpus of interviews with real open positions has been collected and is subject to automatic analysis (Nguyen et al. 2014). This corpus consists of face-to-face job interviews for a marketing short assignment whose candidates are mainly students. There are video corpora of face-to-face mock interviews that include two corpora built at the Massachusetts Institute of Technology (Hoque et al. 2016; Naim et al. 2018), and a corpus of students in services related to hospitality (Muralidhar et al. 2016). Many corpora of simulated asynchronous video interviews have also been built: a corpus of employees (Chen et al. 2016), a corpus of students from Bangalore University (Rasipuram, Rao, and Jayagopi 2017) and a corpus collected through the use of crowdsourcing tools (Chen et al. 2017). Some researchers are also interested in online video resumes and have constituted a corpus of video CVs from YouTube (Nguyen and Gatica-Perez 2016). A first impressions challenge dataset was also supplemented by hirability annotation (Escalante et al. 2017). Some corpora are annotated by experts or students in psychology (Chen et al. 2016; Chen et al. 2017; Nguyen et al. 2014; Rupasinghe et al. 2017). Other corpora have used crowdsourcing platforms or naive observers (Rasipuram, Rao, and Jayagopi 2017) for annotation. Table 1 contains a summary of the corpora of job interviews used in previous works.

### Machine learning approaches for automatic analysis of video job interview

**Features** Recent advances in SSP have offered toolboxes to extract features from audio (Eyben et al. 2016) and video streams (Baltrusaitis et al. 2018). As asynchronous job interviews are videos, features from each modality (verbal content, audio and video) have to be extracted frame by frame in order to build a classification model. Audio cues consist mainly of prosody features (fundamental frequency, intensity, mel-frequency cepstral coefficients, etc) and speaking activity (pauses, silences, short utterances, etc) (Nguyen and Gatica-Perez 2015; Rao S. B et al. 2017). Features derived from facial expressions (facial actions units, head rotation and position, gaze direction, etc) constitute the most extracted visual cues (Chen et al. 2017). Finally, advances in automatic speech recognition have enabled researchers to use the verbal content of candidates. In order to describe the verbal content, researchers have used lexical statistics (number of words, number of unique words, etc), dictionaries (Linguistic Inquiry Word Count) (Rao S. B et al. 2017), topic modeling (Naim et al. 2018), bag of words or more recently document embedding (Chen et al. 2016).

**Representation** Once features are extracted frame by frame, the problem of temporality has to be addressed. The most common approach is to simplify the temporal aspect by collapsing the time dimension using statistical functions

(e.g. mean, standard deviation, etc). However, the lack of sequence modeling can lead to the loss of some important social signals such as emphasis by raising one's eyebrows followed by a smile (Janssoone et al. 2016). Moreover co-occurrences of events are not captured by this representation. Thus, a distinction between a fake smile (activation of action unit 12) and a true smile (activation of action units 2, 4 and 12) is impossible (Ekman, Davidson, and Friesen 1990) without modeling co-occurrences. To solve the problem of co-occurrences, the representation of visual words, audio words or visual audio words has been proposed (Chen et al. 2017; Chen et al. 2016; Rao S. B et al. 2017). The idea is to consider the snapshot of each frame as a word belonging to a specific dictionary. In order to obtain this codebook, an algorithm of unsupervised clustering is used to cluster common frames. Once we obtain the clusters, each class represents a "word" and we can easily map an ensemble of extracted frames to a document composed of these words. Then, the task is treated like a document classification. Additionally, the representation is not learned jointly with the classification models which can cause a loss of information.

**Modeling attempts and classification algorithms** As video job interviews have multiple levels, an architectural choice has to be made accordingly. Some studies tried to find the most salient moments during an answer to a question (Nguyen and Gatica-Perez 2015), the most important questions (Naim et al. 2018) or to use all available videos independently (Chen et al. 2017) in order to predict the outcome of a job interview. Finally, when a sufficient representation is built, a classification or a regression model is trained. Regularized logistic regression (LASSO or Ridge), Random Forest and Support Vector Machines are the most widely used algorithms.

From a practical point of view, manually annotating thin slices of videos is time consuming. On the other side, considering each answer with the same label as the outcome of the interview is considerably less expensive, though some examples could be noisy. Indeed, a candidate with a negative outcome could have performed well on some questions. Furthermore, all these models do not take into account the sequentiality of social signals or questions.

### Neural networks and attention mechanisms in Social Computing

Neural networks have proven to be successful in numerous Social Computing tasks. Multiple architectures in the field of neural networks have outperformed hand crafted features for emotion detection in videos (Zadeh et al. 2018), facial landmarks detection (Baltrusaitis et al. 2018), document classification (Yang et al. 2016) These results are explained by the capability of neural networks to automatically perform useful transformations on low level features. Moreover, some architectures such as Recurrent Neural Networks were especially tailored to represent sequences. In addition, attention mechanisms have proven to be successful in highlighting salient information enhancing the performance and interpretability of neural networks. For example, in rapport detection, attention mechanisms allow to focus only

Works	Interview	Real open position	Number of candidates
(Nguyen et al. 2014)	Face to Face	Marketing short assignment	36
(Muralidhar et al. 2016)	Face to Face	None	169
(Naim et al. 2018)	Face to Face	None	138
(Chen et al. 2016)	Asynchronous Video	None	36
(Rasipuram, Rao, and Jayagopi 2017)	Asynchronous Video	None	106
(Rao S. B et al. 2017)	Asynchronous Video	None	100
(Rupasinghe et al. 2017)	Asynchronous Video	None	36
(Chen et al. 2017)	Asynchronous Video	None	260
This Study	Asynchronous Video	Sales positions	7095

Table 1: Summary of job interview databases

on important moments during dyadic conversations (Yu et al. 2017). Finally, numerous models have been proposed to model the interactions between modalities in emotion detection tasks through attention mechanisms (Zadeh et al. 2017; Zadeh et al. 2018).

## Model

### HireNet and underlying hypotheses

We propose here a new model named HireNet, as in a neural network for hirability prediction. It is inspired by work carried out in neural networks for natural language processing and from the HierNet (Yang et al. 2016), in particular, which aims to model a hierarchy in a document. Following the idea that a document is composed of sentences and words, a job interview could be decomposed, as a sequence of answers to questions, and the answers, as a sequence of low level descriptors describing each answer.

The model architecture (see Figure 1) is built relying on four hypotheses. The first hypothesis (**H1**) is the importance of the information provided by the sequentiality of the multimodal cues occurring in the interview. We thus choose to use a sequential model such as a recurrent neural network. The second hypothesis (**H2**) concerns the importance of the hierarchical structure of an interview: the decision of to hire should be performed at the candidate level, the candidates answering several questions during the interview. We thus choose to introduce different levels of hierarchy in HireNet namely the candidate level, the answer level and the word (or frame) level. The third hypothesis (**H3**) concerns the existence of salient information or social signals in a candidate’s video interview: questions are not equally important and not all the parts of the answers have an equal influence on the recruiter’s decision. We thus choose to introduce attention mechanisms in HireNet. The last hypothesis (**H4**) concerns the importance of contextual information such as questions and job titles. Therefore, HireNet includes vectors that encode this contextual information.

### Formalization

We represent a video interview as an object composed of a job title  $J$  and  $n$  question-answer pairs  $\{\{Q_1, A_1\}, \{Q_2, A_2\}, \dots, \{Q_n, A_n\}\}$ . In our model, the job title  $J$  is composed of a sequence of  $l_J$  words  $\{w_1^J, w_2^J, \dots, w_{l_J}^J\}$  where  $l_J$  denotes the length of the job

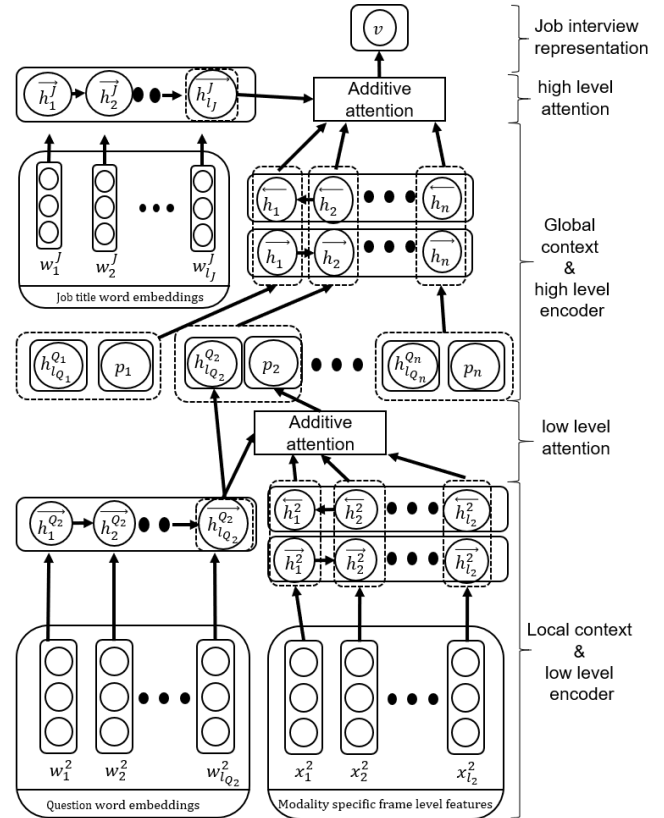


Figure 1: HireNet

title. In a same way, the  $i$ -th question  $Q_i$  is a sequence of  $l_{Q_i}$  words  $\{w_1^i, w_2^i, \dots, w_{l_{Q_i}}^i\}$  where  $l_{Q_i}$  denotes the number of words in the question  $i$ .  $A_i$  denotes the sequence of low level descriptors  $\{x_1^i, x_2^i, \dots, x_{l_{A_i}}^i\}$  describing the  $i$ -th answer. In our study these low level descriptors could be embedded words, features extracted from an audio frame, or features extracted from a video frame.  $l_{A_i}$  denotes the length of the sequence of low level descriptors of the  $i$ -th answer.

**Gated Recurrent Unit Encoder** We decided to use a Gated Recurrent Unit (GRU) (Cho et al. 2014) to encode information from the job title, the questions and the answers.

A GRU is able to encode sequences. It uses two mechanisms to solve the vanishing gradient problem, namely the reset gate, controlling how much past information is needed; and the update gate, determining how much past information has to be kept and the amount of new information to add. For formalization, we will denote by  $h_t$  the hidden state of GRU at timestep  $t$  of the encoded sequence.

**Low level encoder** This part of the model aims to encode the sequences of low level descriptors. As mentioned before, the sequences can represent a text, an audio stream or a video stream. A bidirectional GRU is used to obtain representations from both directions for each element of the sequence  $X$ . It contains the forward  $\overrightarrow{GRU}$  which reads the sequence from left to right and backward  $\overleftarrow{GRU}$  which reads the sequence from right to left:

$$\overrightarrow{h}_t^i = \overrightarrow{GRU}(x_t^i), t \in [1, l_{A_i}] \quad (1)$$

$$\overleftarrow{h}_t^i = \overleftarrow{GRU}(x_t^i), t \in [l_{A_i}, 1] \quad (2)$$

In the same way, an encoding for a given low level descriptor  $x_t^i$  is obtained by concatenating forward hidden states and backward hidden states:

$$h_t^i = [\overrightarrow{h}_t^i, \overleftarrow{h}_t^i] \quad (3)$$

Encoding sequences in a bidirectional fashion ensures the same amount of previous information for each element of  $(A_i)_{1 \leq i \leq n}$ . Using a simple forward encoder could lead to biased attention vectors focusing only on the latest elements of the answers.

**Local context encoder** In this study, the local context information corresponds to the questions  $(Q_i)_{1 \leq i \leq n}$ . In order to encode these sentences, we use a simple forward GRU.

$$\overrightarrow{h}_t^{Q_i} = \overrightarrow{GRU}(w_t^i), t \in [1, l_{Q_i}] \quad (4)$$

And the final representation of a question is the hidden state of the last word in the question  $Q_i$  (i.e.  $h_{l_{Q_i}}^{Q_i}$ ).

**Low level attention** In order to obtain a better representation of the candidate's answer, we aim to detect elements in the sequence which were salient for the classification task. Moreover, we hypothesize that the local context is highly important. Different behavioral signals can occur depending on the question type and it can also influence the way recruiters assess their candidates (Roulin, Bangerter, and Levashina 2015). An additive attention mechanism is proposed in order to extract the importance of each moment in the sequence representing the answer.

$$u_t^i = \tanh(W_A h_t^i + W_Q h_{l_{Q_i}}^{Q_i} + b_Q) \quad (5)$$

$$\alpha_t^i = \frac{\exp(u_p^\top u_t^i)}{\sum_{t'} \exp(u_p^\top u_{t'}^i)} \quad (6)$$

$$a_i = \sum_t \alpha_t^i h_t^i \quad (7)$$

where  $W_A$  and  $W_Q$  are weight matrices,  $u_p$  and  $b$  are weight vectors and  $u_p^\top$  denotes the transpose of  $u_p$ .

**High level encoder** In order to have the maximum amount of information, we concatenate at the second level, the representation of the local context and the answer representation. Moreover, we think that given the way video interviews work, the more questions a candidate answers during the interview, the more he adapts and gets comfortable. In the light of this, we decided to encode question-answer pairs as a sequence. Given  $\left\{ [h_{l_{Q_1}}^{Q_1}, a_1], [h_{l_{Q_2}}^{Q_2}, a_2], \dots, [h_{l_{Q_n}}^{Q_n}, a_n] \right\}$ , we can use the same representation scheme as that of the low level encoder:

$$\overrightarrow{h}_i = \overrightarrow{GRU}([h_{l_{Q_i}}^{Q_i}, a_i]), i \in [1, n] \quad (8)$$

$$\overleftarrow{h}_i = \overleftarrow{GRU}([h_{l_{Q_i}}^{Q_i}, a_i]), i \in [n, 1] \quad (9)$$

We will also concatenate forward hidden states and backward hidden states:

$$h_i = [\overrightarrow{h}_i, \overleftarrow{h}_i] \quad (10)$$

**Global context encoder** We encode the job title the same way we encode the questions :

$$\overrightarrow{h}_t^J = \overrightarrow{GRU}(w_t^J), t \in [1, l_J] \quad (11)$$

As done for the representation of the question, the final representation of the job title is the hidden state of the last word of  $J$  (i.e.  $h_{l_J}^J$ ).

**High level attention** The importance of a question depends on the context of the interview, and specifically, on the type of job the candidate is applying for. For instance, a junior sales position interview could accord more importance to the social skills, while an interview for a senior position could be more challenging on the technical side.

Like low level attention, high level attention is composed of an additive attention mechanism:

$$u_i = \tanh(W_P h_i + W_J h_{l_J}^J + b_J) \quad (12)$$

$$\alpha_i = \frac{\exp(u_J^\top u_i)}{\sum_{i'} \exp(u_J^\top u_{i'})} \quad (13)$$

$$v = \sum_i \alpha_i h_i \quad (14)$$

where  $W_P$ ,  $W_J$  are weight matrices,  $u_J$  and  $b_J$  are weight vectors and  $u_J^\top$  denotes the transpose of  $u_J$ . Finally  $v$  summarizes all the information of the job interview.

**Candidate classification** Once  $v$  is obtained, we use it as representation in order to classify candidates:

$$\tilde{y} = \sigma(W_v v + b_v) \quad (15)$$

where  $W_v$  is a weight matrix and  $b_v$  a weight vector. As the problem we are facing is that of a binary classification, we chose to minimize the binary cross-entropy computed between  $\tilde{y}$  and true labels of candidates  $y$ .

Modality	Text	Audio	Video
Train set	6350	6034	5706
Validation set	794	754	687
Test set	794	755	702
Questions per interview (mean)	5.05	5.10	5.01
Total length	3.82 M words	557.7 h	508.8 h
Length per question (mean)	95.2 words	52.19 s	51.54 s
<i>Hirable</i> label proportion	45.0 %	45.5 %	45.4 %

Table 2: Descriptive table of the dataset: number of candidates in each set and overall statistics of the dataset.

## Experiments

### Dataset

We have decided to focus on only one specific type of job: sales positions. After filtering based on specific job titles from the ROME Database<sup>1</sup>, a list of positions was selected and verified by the authors and an expert from the Human Resources (HR). Finally, in a collaboration with an HR industry actor, we have obtained a dataset of French video interviews comprising more than 475 positions and 7938 candidates. As they watch candidates’ videos, recruiters can like, dislike, shortlist candidates, evaluate them on predefined criteria, or write comments. To simplify the task, we set up a binary classification: candidates who have been liked or shortlisted are considered part of the *hirable* class and others part of the *not hirable* class. If multiple annotators have annotated the same candidates, we proceed with a majority vote. In case of a draw, the candidate is considered *hirable*. It is important to note that the videos are quite different from what could be produced in a laboratory setup. Videos can be recorded from a webcam, a smartphone or a tablet., meaning noisy environments and low quality equipment are par for the course. Due to these real conditions, feature extraction may fail for a single modality during a candidate’s entire answer. One example is the detection of action units when the image has lighting problems. We decided to use all samples available in each modality separately. Some statistics about the dataset are available in Table 2. Although the candidates agreed to the use of their interviews, the dataset will not be released to public outside of the scope of this study due to the videos being personal data subject to high privacy constraints.

### Experimental settings

The chosen evaluation metrics are precision, recall and F1-score of *hirable* class. They are well suited for binary classification and used in previous studies (Chen et al. 2017). We split the dataset into a training set, a validation set for hyperparameter selection based on the F1-score, and a test set for the final evaluation of each model. Each set constitutes respectively 80%, 10% and 10% of the full dataset.

<sup>1</sup><https://www.data.gouv.fr/en/datasets/repertoire-operationnel-des-metiers-et-des-emplois-rome/>

### Extraction of social multimodal features

For each modality, we selected low-level descriptors to be used as per-frame features, and sequence-level features to be used as the non-sequential representation of a candidate’s whole answer for our non-sequential baselines.

**Word2vec:** Pretrained word embeddings are used for the BoTW (Bag of Text Words, presented later in this section), and the neural networks. We used word embeddings of dimension 200 from (Fauconnier 2015) pretrained on a French corpus of Wikipedia.

**eGeMAPS:** Our frame-level audio features are extracted using OpenSmile (Eyben et al. 2013). The configuration we use is the same one used to obtain the eGeMAPS (Eyben et al. 2016) features. GeMAPS is a famous minimalistic set of features selected for their saliency in Social Computing, and eGeMAPS is its extended version. We extract the per-frame features prior to the aggregations performed to obtain the eGeMAPS representation.

**OpenFace:** We extract frame-level visual features with OpenFace (Baltrusaitis et al. 2018), a state-of-the-art visual behavioral analysis software that yields various per-frame meaningful metrics. We chose to extract the position and rotation of the head, the intensity and presence of actions units, and the gaze direction. As different videos have different frame-rates, we decided to smooth values with a time-window of 0.5 s and an overlap of 0.25 s. The duration of 0.5 s is frequently used in the literature of Social Computing (Varni et al. 2018) and has been validated in our corpus as a suitable time-window size by annotating segments of social signals in a set of videos.

### Baselines

First, we compare our model with several vote-based methods: *i*) **Random vote baseline** (One thousand random draws respecting the train dataset label balance were made. The F1-score is then averaged over those one thousand samples); *ii*) **Majority Vote** (This baseline is simply the position-wise majority label. Since our model could just be learning the origin open position for each candidate and its corresponding majority vote, we decided to include this baseline to show that our model reaches beyond those cues).

Second, we compare our model with non-sequential baselines: *i*)-*a* **Non-sequential text** (we train a Doc2vec (Le and Mikolov 2014) representation on our corpus, and we use it as a representation of our textual inputs); *i*)-*b* **Non-sequential audio** (we take the eGeMAPS audio representation as described in (Eyben et al. 2016). That representation is obtained by passing the above descriptors into classical statistical functions and hand-crafted *ad hoc* measures applied over the whole answer. The reason we chose GeMAPS features is also that they were designed to ease comparability between different works in the field of Social Computing); *i*)-*c* **Non-sequential video** (our low-level video descriptors include binary descriptors and continuous descriptors. The mean, standard deviation, minimum, maximum, sum of positive gradients and sum of negative gradients have been successfully used for a behavioral classification on media content in (Ryoo, Rothrock, and Matthies 2015). We followed

Model	Text			Audio			Video		
	<i>Precision</i>	<i>Recall</i>	<b>F1</b>	<i>Precision</i>	<i>Recall</i>	<b>F1</b>	<i>Precision</i>	<i>Recall</i>	<b>F1</b>
Non-sequential	0.553	0.285	0.376	0.590	0.463	0.519	0.507	0.519	0.507
Bo*W	0.656	0.403	0.499	0.532	0.402	0.532	0.488	0.447	0.467
Bidirectional GRU	0.624	0.510	0.561	0.539	0.596	0.566	0.559	0.500	0.528
HN_AVG	0.502	0.800	0.617	0.538	0.672	0.598	0.507	0.550	0.528
HN_SATT	0.512	0.803	0.625	0.527	0.736	0.614	0.490	0.559	0.522
HireNet	0.539	0.797	<b>0.643</b>	0.576	0.724	<b>0.642</b>	0.562	0.655	<b>0.605</b>

Table 3: Results for Monomodal models

that representation scheme for our continuous descriptors. As for our discrete features, we chose to extract the mean, the number of active segments, and the active segment duration mean and standard deviation) *ii*) **Bag of \* Words** (We also chose to compare our model to (Chen et al. 2017)’s Bag of Audio and Video Words: we run a K-means algorithm on all the low-level frames in our dataset. Then we take our samples as documents, and our frames’ predicted classes as words, and use a ”Term Frequency-inverse Document Frequency” (TF-IDF) representation to model each sample).

For each modality, we use the non-sequential representations mentioned above in a monomodal fashion as inputs to three classic learning algorithms (namely SVM, Ridge regression and Random Forest) with respective hyperparameter searches. Best of the three algorithms is selected. As these models do not have a hierarchical structure, we will train them to yield answer-wise labels (as opposed to the candidate-wise labeling performed by our hierarchical model). At test time we average the output value of the algorithm for each candidate on the questions he answered.

Third, the proposed sequential baselines aim at checking the four hypotheses described above: *i*) comparing the **Bidirectional-GRU model** with previously described non sequential approaches aims to validate **H1** on the contribution of sequentiality in an answer-wise representation; *ii*) the Hierarchical Averaged Network (HN\_AVG) baseline adds the hierarchy in the model in order to verify **H2** and **H3** (we replace the attention mechanism by an averaging operator over all of the non-zero bidirectional GRU outputs); *iii*) the Hierarchical Self Attention Network (HN\_SATT) is a self-attention version of HireNet which aims to see the actual effect of the added context information (**H4**).

### Multimodal models

Given the text, audio, and video trained versions of our HireNet, we report two basic models performing multimodal inference, namely an early fusion approach and a late fusion approach. In the early fusion, we concatenate the last layer  $v$  of each modality as a representation, and proceed with the same test procedure as our non-sequential baselines. For our late fusion approach, the decision for a candidate is carried out using the average decision score  $\tilde{y}$  between the three modalities.

## Results and analyses

First of all, Tables 3 and 4 show that most of our neural models fairly surpass the vote-based baselines.

Model	<i>Precision</i>	<i>Recall</i>	<b>F1</b>
Random vote	0.459	0.452	0.456
Majority vote	0.567	0.576	0.571
Early Fusion	0.587	0.705	0.640
Late Fusion	0.567	0.748	<b>0.645</b>

Table 4: Results for Multimodal models and vote-based baselines

In Table 3, the F1-score has increased, going from the non-sequential baselines, to the Bidirectional-GRU baselines for all the modalities, which supports **H1**. We can also see that HN\_AVG is superior to the Bidirectional-GRU baselines for audio and text validating **H2** for those two modalities. This suggests that sequentiality and hierarchy are adequate inductive biases for a job interview assessment machine learning algorithm. As for **H3**, HN\_SATT did show better results than HN\_AVG, for text and audio. In the end, our HireNet model surpasses HN\_AVG and HN\_SATT for each modality. Consequently, a fair amount of useful information is present in the contextual frame of an interview, and this information can be leveraged through our model, as it is stated in **H4**. Audio and text monomodal models display better performance than video models. The same results were obtained in (Chen et al. 2017).

Our attempts at fusing the multimodal information synthesized in the last layer of each HireNet model only slightly improved on the single modality models.

### Attention visualization

**Text** In order to visualize the different words on which attention values were high, we computed new values of interest as it has been done in (Yu et al. 2017). As the sentence length changes between answers, we multiply every word’s attention value ( $\alpha_i^j$ ) by the number of words in the answer, resulting in the relative attention of the word with respect to the sentence. In a same way, we multiply each question attention by the number of questions, resulting in the relative attention of the question with respect to the job interview. Then, in a similar way as (Yang et al. 2016), we compute  $\sqrt{p_q}p_w$  where  $p_w$  and  $p_q$  are respectively the values of interest for word  $w$  and question  $q$ . The list of the 20 most important words contains numerous names of banks and insurances companies (Natixis, Aviva, CNP, etc) and job knowledge vocabulary (mortgage, brokerage, tax exemption, etc), which means that their occurrence in candidates answers takes an impor-

tant role in hirability prediction.

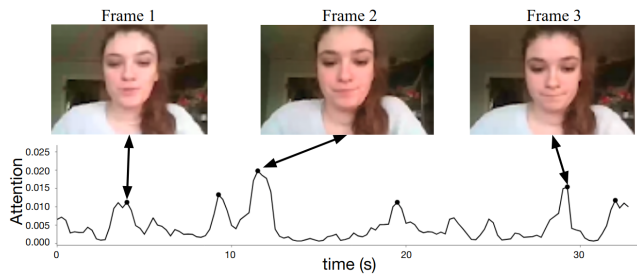


Figure 2: Example of salient moments detected with peaks of attention on the video modality

**Video** In order to visualize which moments were highlighted by attention mechanisms in a video, we display an example of the attention values for an answer in Figure 2. In this figure, the higher the attention value, the more the corresponding frames are considered task-relevant by the attention mechanism. As we can see, some peaks are present. Three thin slices with high attention values are presented. Some social signals that are important in a job interview are identified. We hypothesize that the smile detected in Frame 1 could be part of a tactic to please the interviewer known as deceptive ingratiation (Schneider, Powell, and Roulin 2015). In addition, Frames 2 and 3 are representative of stress signals from the candidate. In fact, lip suck was suggested to be linked to anxiety in (Feiler and Powell 2016).

**Audio** The same visualization procedure used for video has been investigated for audio. As audio signal is harder to visualize, we decided to describe the general pattern of audio attention weights. In most cases, when the prosody is homogeneous through the answer, attention weights are distributed uniformly and show no peaks, as opposed to what was observed for video. However, salient moments may appear, especially when candidates produce successive disfluencies. Thus, we have identified peaks where false starts, filler words, repeating or restarting sentences occur.

**Questions** We aim to explore the attention given to the different questions during the same interview. For this purpose, we randomly picked one open position from the test dataset comprising 40 candidates. Questions describing the interview and the corresponding averaged attention weights are displayed in the Figure 3. First, it seems attention weight variability between questions is higher for the audio modality than for text and video modalities. Second, the decrease in attention for Questions 5 and 6 could be explained by the fact that those questions are designed to assess "soft skills". Third, peaks of attention weight for the audio modality on Questions 2 and 4 could be induced by the fact that these questions are job-centric. Indeed, it could be possible that disfluencies tend to appear more in job-centric questions or that prosody is more important in first impressions of competence.

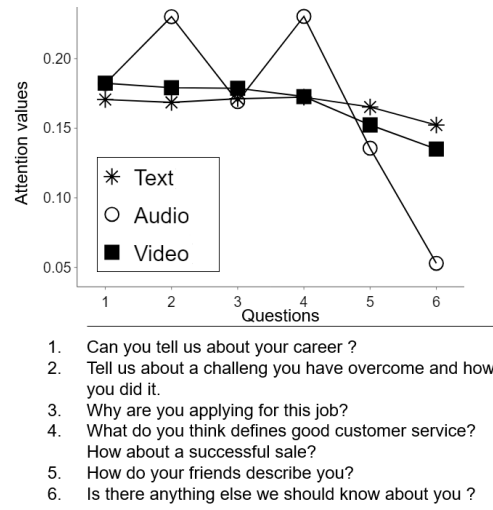


Figure 3: Questions describing the randomly picked open position and their respective attention values

## Conclusion and future directions

The HR industry actors nowadays do offer tools to automatically assess candidates undergoing asynchronous video interviews. However, no studies have been published regarding these tools and their predictive validity. The contribution of this work is twofold. First, we evaluate the validity of previous approaches in real conditions (*e.g.* in-the-wild settings, true applications, real evaluations, etc). Second, we used deep learning methods in order to faithfully model the structure of asynchronous video interviews. In that sense, we proposed a new version of Hierarchical Attention Networks that is aware of the interviews contextual elements (questions and job title) called HireNet, which has showed better performance than previous approaches. First basic experiments on multimodal fusion have also been performed (early and late fusion). In future work, the obtained multimodal performance could be improved by leveraging more sophisticated multimodal fusion schemes. HireNet was evaluated on a corpus containing interviews for various jobs – 475 different positions – in the domain of sales positions. Theoretical findings from industrial organizational psychology suggest that some dimensions are common across different positions (Huffcutt et al. 2001). However we would like to extend the corpus to other domains than sales in order to i) validate the relevance of our model for other types of positions, ii) determine which competencies are common or not across jobs. In that sense, the use of multi-domain models (Liu, Qiu, and Huang 2017) could be of great help. Our model currently considers two labels (“hirable” and “not hirable”). Extending our annotations to more fine-grained information (communication skills, social effectiveness, etc) could provide useful insights about the profile of a candidate and its potential fit with the position in question. Through the use of attention mechanisms, we aimed to highlight salient moments and questions for each modality, which contributes to the transparency and the interpretability of HireNet. Such



transparency is very important for Human Resources practitioners to trust an automatic evaluation. Further investigations could be conducted on the proposed attention mechanisms: i) to confirm the saliency of the selected moments using the discipline of Industrial and Organizational psychology; ii) to know the influence of the slices deemed important. This way, a tool to help candidates train for interviews could be developed.

Last but not least, ethics and fairness are important considerations, that deserve to be studied. In that sense, detection of individual and global bias should be prioritized in order to give useful feedbacks to practitioners. Furthermore we are considering using adversarial learning as in (Zhang, Lemoine, and Mitchell 2018) in order to ensure fairness during the training process.

### Acknowledgments

This work was supported by the company EASYRECRUE, from whom the job interview videos were collected. We would like to thank Jeremy Langlais for his support and his help. We would also like to thank Valentin Barriere for his valuable input and the name given to the model and Marc Jeanmougin and Nicolas Bouche for their help with the computing environment. Finally, we thank Erin Douglas for proofreading the article.

### References

- [Baltrusaitis et al. 2018] Baltrusaitis, T.; Zadeh, A.; Lim, Y. C.; and Morency, L. P. 2018. OpenFace 2.0: Facial behavior analysis toolkit. *Proceedings - 13th IEEE International Conference on Automatic Face and Gesture Recognition, FG 2018* 59–66.
- [Chen et al. 2016] Chen, L.; Feng, G.; Leong, C. W.; Lehman, B.; Martin-Raugh, M.; Kell, H.; Lee, C. M.; and Yoon, S.-Y. 2016. Automated scoring of interview videos using Doc2Vec multimodal feature extraction paradigm. In *Proceedings of the 18th ACM International Conference on Multimodal Interaction - ICMI 2016*, number October, 161–168. New York, New York, USA: ACM Press.
- [Chen et al. 2017] Chen, L.; Zhao, R.; Leong, C. W.; Lehman, B.; Feng, G.; and Hoque, M. E. 2017. Automated video interview judgment on a large-sized corpus collected online. In *2017 Seventh International Conference on Affective Computing and Intelligent Interaction (ACII)*, 504–509. IEEE.
- [Cho et al. 2014] Cho, K.; Van Merriënboer, B.; Gulcehre, C.; Bahdanau, D.; Bougares, F.; Schwenk, H.; and Bengio, Y. 2014. Learning phrase representations using RNN encoder-decoder for statistical machine translation. *arXiv preprint arXiv:1406.1078*.
- [Ekman, Davidson, and Friesen 1990] Ekman, P.; Davidson, R. J.; and Friesen, W. V. 1990. The Duchenne Smile: Emotional Expression and Brain Physiology II. *Journal of Personality and Social Psychology* 58(2):342–353.
- [Escalante et al. 2017] Escalante, H. J.; Ponce-López, V.; Wan, J.; Riegler, M. A.; Chen, B.; Clapés, A.; Escalera, S.; Guyon, I.; Baró, X.; Halvorsen, P.; Müller, H.; and Larson, M. 2017. ChaLearn Joint Contest on Multimedia Challenges beyond Visual Analysis: An overview. *Proceedings - International Conference on Pattern Recognition* 67–73.
- [Eyben et al. 2013] Eyben, F.; Wenginger, F.; Gross, F.; and Schuller, B. 2013. Recent developments in openSMILE, the munich open-source multimedia feature extractor. *Proceedings of the 21st ACM international conference on Multimedia - MM '13* (May):835–838.
- [Eyben et al. 2016] Eyben, F.; Scherer, K. R.; Schuller, B. W.; Sundberg, J.; Andre, E.; Busso, C.; Devillers, L. Y.; Epps, J.; Laukka, P.; Narayanan, S. S.; and Truong, K. P. 2016. The Geneva Minimalistic Acoustic Parameter Set (GeMAPS) for Voice Research and Affective Computing. *IEEE Transactions on Affective Computing* 7(2):190–202.
- [Fauconnier 2015] Fauconnier, J.-P. 2015. French Word Embeddings.
- [Feiler and Powell 2016] Feiler, A. R., and Powell, D. M. 2016. Behavioral Expression of Job Interview Anxiety. *Journal of Business and Psychology* 31(1):155–171.
- [Hoque et al. 2016] Hoque, M. E.; Courgeon, M.; Martin, J. C.; and Bilge, M. 2016. Mach: My automated conversation coach. *UbiComp '13: Proceedings of the 2013 ACM international joint conference on Pervasive and ubiquitous computing* 697–706.
- [Huffcutt et al. 2001] Huffcutt, A. I.; Conway, J. M.; Roth, P. L.; and Stone, N. J. 2001. Identification and meta-analytic assessment of psychological constructs measured in employment interviews. *Journal of Applied Psychology* 86(5):897–913.
- [Janssoone et al. 2016] Janssoone, T.; Clavel, C.; Bailly, K.; and Richard, G. 2016. Using temporal association rules for the synthesis of embodied conversational agents with a specific stance. *Proceedings of International Conference on Intelligent Virtual Agents*.
- [Le and Mikolov 2014] Le, Q. V., and Mikolov, T. 2014. Distributed Representations of Sentences and Documents. In *Proceedings of the 31th International Conference on Machine Learning, ICML 2014, Beijing, China, 21-26 June 2014*, 1188–1196.
- [Liu, Qiu, and Huang 2017] Liu, P.; Qiu, X.; and Huang, X. 2017. Adversarial Multi-task Learning for Text Classification. In *Proceedings of the 55th Annual Meeting of the Association for Computational Linguistics (Volume 1: Long Papers)*, 1–10. Stroudsburg, PA, USA: Association for Computational Linguistics.
- [Muralidhar et al. 2016] Muralidhar, S.; Nguyen, L. S.; Frauendorfer, D.; Odobez, J.-M.; Schmid Mast, M.; and Gatica-Perez, D. 2016. Training on the job: behavioral analysis of job interviews in hospitality. *Proceedings of the 18th ACM International Conference on Multimodal Interaction - ICMI 2016* 84–91.
- [Naim et al. 2018] Naim, I.; Tanveer, M. I.; Gildea, D.; and Hoque, M. E. 2018. Automated Analysis and Prediction of Job Interview Performance. *IEEE Transactions on Affective Computing* 9(2):191–204.

- [Nguyen and Gatica-Perez 2015] Nguyen, L. S., and Gatica-Perez, D. 2015. I Would Hire You in a Minute. In *Proceedings of the 2015 ACM on International Conference on Multimodal Interaction - ICMI '15*, 51–58. New York, New York, USA: ACM Press.
- [Nguyen and Gatica-Perez 2016] Nguyen, L. S., and Gatica-Perez, D. 2016. Hirability in the Wild: Analysis of Online Conversational Video Resumes. *IEEE Transactions on Multimedia* 18(7):1422–1437.
- [Nguyen et al. 2014] Nguyen, L. S.; Frauendorfer, D.; Mast, M. S.; and Gatica-Perez, D. 2014. Hire me: Computational Inference of Hirability in Employment Interviews Based on Nonverbal Behavior. *IEEE Transactions on Multimedia* 16(4):1018–1031.
- [Rao S. B et al. 2017] Rao S. B, P.; Rasipuram, S.; Das, R.; and Jayagopi, D. B. 2017. Automatic assessment of communication skill in non-conventional interview settings: a comparative study. In *Proceedings of the 19th ACM International Conference on Multimodal Interaction - ICMI 2017*, number November, 221–229. New York, New York, USA: ACM Press.
- [Rasipuram, Rao, and Jayagopi 2017] Rasipuram, S.; Rao, S. B.; and Jayagopi, D. B. 2017. Automatic prediction of fluency in interface-based interviews. *2016 IEEE Annual India Conference, INDICON 2016* (December).
- [Roulin, Bangerter, and Levashina 2015] Roulin, N.; Bangerter, A.; and Levashina, J. 2015. Honest and Deceptive Impression Management in the Employment Interview: Can It Be Detected and How Does It Impact Evaluations? *Personnel Psychology* 68(2):395–444.
- [Rupasinghe et al. 2017] Rupasinghe, A. T.; Gunawardena, N. L.; Shujan, S.; and Atukorale, D. A. 2017. Scaling personality traits of interviewees in an online job interview by vocal spectrum and facial cue analysis. *16th International Conference on Advances in ICT for Emerging Regions, ICTer 2016 - Conference Proceedings* (September):288–295.
- [Ryoo, Rothrock, and Matthies 2015] Ryoo, M. S.; Rothrock, B.; and Matthies, L. 2015. Pooled motion features for first-person videos. *Proceedings of the IEEE Computer Society Conference on Computer Vision and Pattern Recognition 07-12-June*(Figure 1):896–904.
- [Schmidt 2016] Schmidt, F. L. 2016. The Validity and Utility of Selection Methods in Personnel Psychology: Practical and Theoretical Implications of 100 Years of Research Findings. (October):1–73.
- [Schneider, Powell, and Roulin 2015] Schneider, L.; Powell, D. M.; and Roulin, N. 2015. Cues to deception in the employment interview. *International Journal of Selection and Assessment* 23(2):182–190.
- [Varni et al. 2018] Varni, G.; Hupont, I.; Clavel, C.; and Chetouani, M. 2018. Computational Study of Primitive Emotional Contagion in Dyadic Interactions. *IEEE Transactions on Affective Computing* 3045(c):1–1.
- [Vinciarelli 2014] Vinciarelli, A. 2014. More Personality in Personality Computing. *Ieee Transactions on Affective Computing* 5(3):297–300.
- [Yang et al. 2016] Yang, Z.; Yang, D.; Dyer, C.; He, X.; Smola, A.; and Hovy, E. 2016. Hierarchical Attention Networks for Document Classification. *Proceedings of the 2016 Conference of the North American Chapter of the Association for Computational Linguistics: Human Language Technologies* 1480–1489.
- [Yu et al. 2017] Yu, H.; Gui, L.; Madaio, M.; Ogan, A.; Caspell, J.; and Morency, L.-P. 2017. Temporally Selective Attention Model for Social and Affective State Recognition in Multimedia Content. *Proceedings of the 2017 ACM on Multimedia Conference* 1743–1751.
- [Zadeh et al. 2017] Zadeh, A.; Chen, M.; Poria, S.; Cambria, E.; and Morency, L.-P. 2017. Tensor Fusion Network for Multimodal Sentiment Analysis. In *Proceedings of the 2017 Conference on Empirical Methods in Natural Language Processing*, 1103–1114.
- [Zadeh et al. 2018] Zadeh, A.; Liang, P. P.; Poria, S.; Vij, P.; Cambria, E.; and Morency, L.-P. 2018. Multi-attention Recurrent Network for Human Communication Comprehension. In *Proceedings of the Thirty-Second AAAI Conference on Artificial Intelligence, New Orleans, Louisiana, USA, February 2-7, 2018*.
- [Zhang, Lemoine, and Mitchell 2018] Zhang, B. H.; Lemoine, B.; and Mitchell, M. 2018. Mitigating Unwanted Biases with Adversarial Learning. *arXiv preprint arXiv:1801.7593*.