



HAL
open science

Synchronized Interconnected ADPLLs for Distributed Clock Generation in 65 nm CMOS Technology

Dimitri Galayko, Chuan Shan, Eldar Zianbetov, Mohammad Javidan, Anton Korniienko, Olivier Billoint, François Anceau, Eric Colinet, Elena Blokhina, Jérôme Juillard

► **To cite this version:**

Dimitri Galayko, Chuan Shan, Eldar Zianbetov, Mohammad Javidan, Anton Korniienko, et al.. Synchronized Interconnected ADPLLs for Distributed Clock Generation in 65 nm CMOS Technology. IEEE Transactions on Circuits and Systems II: Express Briefs, 2019, 66 (10), pp.1673-1677. 10.1109/TCSII.2019.2932029 . hal-02318785

HAL Id: hal-02318785

<https://hal.science/hal-02318785v1>

Submitted on 17 Oct 2019

HAL is a multi-disciplinary open access archive for the deposit and dissemination of scientific research documents, whether they are published or not. The documents may come from teaching and research institutions in France or abroad, or from public or private research centers.

L'archive ouverte pluridisciplinaire **HAL**, est destinée au dépôt et à la diffusion de documents scientifiques de niveau recherche, publiés ou non, émanant des établissements d'enseignement et de recherche français ou étrangers, des laboratoires publics ou privés.

Synchronized Interconnected ADPLLs for Distributed Clock Generation in 65 nm CMOS Technology

Dimitri Galayko, *Member, IEEE*, Chuan Shan, Eldar Zianbetov, Mohammad Javidan, Anton Korniienko, François Anceau, Olivier Billoint, Éric Colinet, Elena Blokhina, *Senior Member, IEEE*, and Jérôme Juillard

Abstract—This paper presents an active distributed clock generator for manycore systems-on-chip consisting of a 10×10 network of coupled all-digital phase-locked loops, achieving less than 38 ps phase error between neighboring oscillators over a frequency range of 700-840 MHz at $V_{DD} = 1.1$ V. The network is highly robust against V_{DD} variations. An energy cost of $2.7 \mu\text{W}/\text{MHz}$ per node is 7 times lower than that in analog implementations of similar architectures and is twice lower than that in conventional H-tree architectures. This is the largest on-chip all-digital phase-locked loop network ever implemented. With clock generation nodes linked only locally, this solution is proven to be scalable. The presented clock generation network does not require any external reference, except for the start-up frequency selection, generating a synchronized signal in fully autonomous mode and maintaining frequency stability within 0.09% during 1700 seconds. Such a network of frequency and phase synchronized oscillators can be used as a source for local clocking areas.

Keywords—All-Digital Phase-Locked Loops (ADPLLs), ADPLL Networks, Synchronization, Active Distributed Clocking

I. INTRODUCTION

Coupled oscillators are a repeating trend in micro- and nano-electronics, with more and more applications being discovered over recent years — neuromorphic computing [1], distributed computations [2], ultra-low phase noise frequency generation [3], clocking of peer-to-peer networks and radio-communications [4], [5], distributed frequency generation [6]–[8] and others.

Clock generation [9] remains a key challenge in the implementation of high-performance, reliable Systems-on-Chip (SoCs). Indeed, the saturation of the clock frequency growth is strongly related to the issue of the distribution of a clock signal over a large chip and its energy cost. As the power consumption rate increases nonlinearly with the frequency of a clock generator, it affects dramatically the synthesis of gigahertz

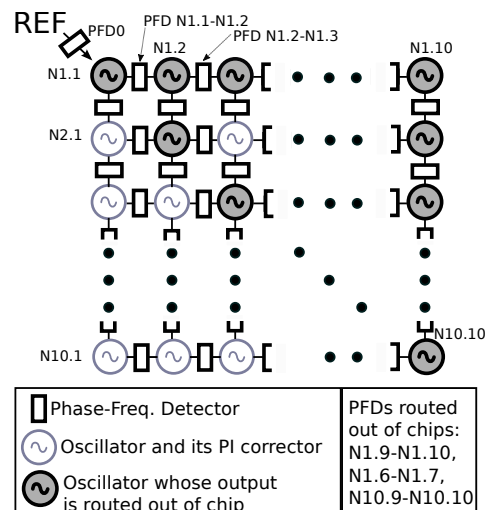


Fig. 1. Architecture of the implemented ADPLL network for clock generation. The placement of Phase-Frequency Detectors (PFDs) and Digitally Controlled Oscillators (DCO) is shown.

frequencies [10]. Centralized frequency distribution requires chip-wide feedback links for the control of the generated clock. This limits scalability as the size and functionality of SoCs increase.

In active distributed clocking, clock signals are re-generated for each clock domain, whose size is typically 200-300 thousand gates. Inside of each clock domain, the clock signal is distributed by conventional clock tree networks of a moderate size. Global synchronization between clocking domains is achieved by coupling local clock sources with a network of phase-locked loops (PLLs). Previous implementations of active distributed clocking, such as, for instance, a 4×4 network of analog coupled PLLs [11], resonant clocking [12] or oscillators coupled by injection through magnetic links [13], were based on analog techniques. The sensitivity with respect to PVT variations, low compatibility with the digital design flow, lack of scalability and difficulties of reconfiguration are typical issues. For this reason, all-digital coupled oscillators appear to be a promising solution to those issues. The on-chip network reported in Refs. [6], [14], having a size of 4×4 nodes, validated the feasibility of such an approach.

This study presents the design, implementation and measurements of a large network of all-digital PLLs (ADPLLs)

Dimitri Galayko, Chuan Shan, Eldar Zianbetov, Mohammad Javidan and François Anceau are with Sorbonne Université, LIP6, F-75005, Paris, France. Anton Korniienko is with Laboratoire Ampère, École Centrale de Lyon, France.

Olivier Billoint and Éric Colinet are with CEA-LETI, Grenoble, France.

Elena Blokhina is with University College Dublin, Ireland.

Jérôme Juillard is with Central Supélec, Gif-sur-Yvette, France.

This work was supported by the HERODOTOS grant number ANR-10-SEGI-014 from French National Agency of Research (ANR) and by Enterprise Ireland grant JRNET number CF-2018-0872-P.

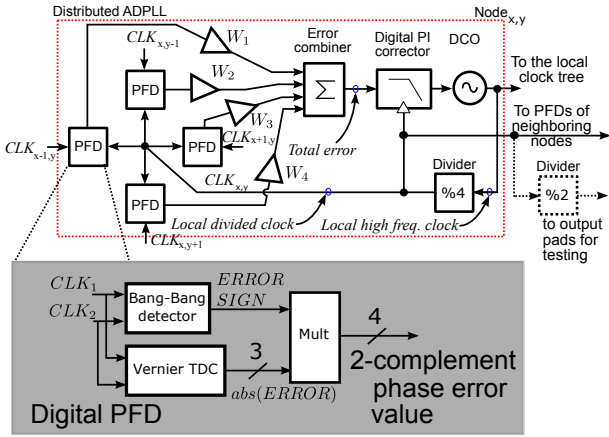


Fig. 2. Architecture of one node (a single ADPLL) of the implemented network. It contains up to four phase-frequency detectors (PFDs), a proportional-integral (PI) controller and a digitally controlled oscillator (DCO).

for the synchronization of digitally controlled oscillators and the generation of distributed clock signals for SoCs. We describe an implementation and measurement results of 10×10 synchronized oscillators in CMOS 65 nm technology of ST Microelectronics. The goal of the study is to prove the scalability of this clocking solution with an increased number of oscillators, to verify the feasibility of a large all-digital globally synchronized ADPLL network and to test its performance. The operation of the network in autonomous mode, without an external reference driving the network, is also investigated.

II. SYSTEM ARCHITECTURE

The implemented clock generator is a Cartesian 10×10 network of distributed oscillators (Fig. 1). 180 Phase-Frequency Detectors (PFD) measure the phase error between each couple of neighbour oscillators. The node ‘N1.1’ is also connected through a PFD to an external reference signal, which allows one to set up the frequency of the whole network. All the connections of the network are programmable so that the topology of the network may be reconfigured dynamically. The external reference may be disconnected, and the network may operate in autonomous mode.

Figure 2 presents the structure of one node of the implemented network. The Digitally Controlled Oscillator (DCO) is a 7-stage ring oscillator with CMOS inverters, whose frequency is controlled by a matrix of 7×9 three-state inverters, providing 256 frequency steps and occupying a total area of $50 \times 50 \mu\text{m}^2$. The chosen DCO architecture is highly regular and suitable for integration using EDA tools [15]. The choice of the DCO output frequency range of 700-840 MHz is a compromise between the frequency practically useful for applications (1-2 GHz typical clock frequency in IoT electronics) and the cost of implementation and testing of a laboratory prototype.

The distributed synchronization of the oscillators is achieved by an array of digital phase-frequency detectors implemented as a combination of a bang-bang (BB) phase detector and a Time-to-Digital Converter (TDC) [6], [14]. The control of

the DCOs is implemented through digital Proportional-Integral (PI) controllers. There are 100 DCOs, 100 PI controllers (correctors) and 181 PFDs in this design with an area of $50 \times 50 \mu\text{m}^2$, $100 \times 70 \mu\text{m}^2$ and $55 \times 30 \mu\text{m}^2$ respectively.

Each PFD is composed of a bang-bang detector, measuring the sign of the phase error [15], and a 3-bit TDC, measuring the magnitude phase error [14]. Overall, the PDF provides a 4-bit signed phase error signal, ranging within ± 80 ps at $V_{DD} = 1.1$ V. Figure 3 shows transistor-level simulations of the input-output characteristics of the implemented PFD for different V_{DD} voltages. In order to improve the accuracy of synchronization, the TDC employs the Vernier architecture, where the time step is defined by the difference between the delays of two cells. Compared to Ref. [6], this allows a time resolution of 16 to 20 ps at $V_{DD} = 1.1$ V for small phase errors, which is less than the smallest buffer delay (30 ps in 65 nm CMOS). This design is also very robust with regard to V_{DD} variations within a 20% range (i.e., $V_{DD} = 1.0 - 1.2$ V). Such robustness is explained by a closed-loop architecture inherent in PLL design.

The Proportional-Integral controller (corrector) is a conventional controller receiving a weighted sum of the errors arriving from the neighbor DCOs [6] but with a reduced length of registers and hence a decreased area ($100 \times 70 \mu\text{m}^2$ each). Each has four inputs with several programmable features. Firstly, the weights of the inputs (W_1 - W_4 in Fig. 2) can be set to 0, 1, 2 or 4. The zero weight corresponds to the case when a node is disconnected or the connection does not exist (for example, the peripheral nodes have only 2 or 3 neighbors). Secondly, the PI controller has programmable gains of the integral and proportional paths. These gains can be optimized and selected to ensure synchronization. The PI controller is clocked by the local DCO signal with the local output frequency divided by 4. The same divided signal is applied to the inputs of the PFDs thus achieving the coupling between clocking domains. The relatively large size of the PI controller ($100 \times 70 \mu\text{m}^2$) is due to these programmable functions implemented for testing purposes, and its area may be further reduced by 30-50%.

In a real application when the proposed network is used for

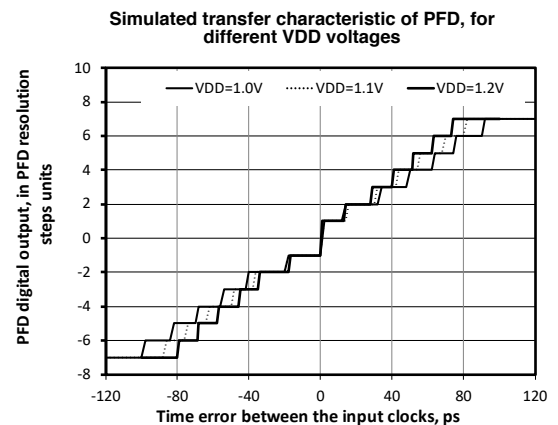


Fig. 3. Transistor-level simulations: characteristics of the implemented phase-frequency detector for three different V_{DD} . The simulations are performed using the Cadence Spectre circuit simulator.

clock generation, the distance between two nodes will lead to some delays associated with PFDs. Since the PI corrector is a standard synchronous digital circuit, it is possible to account for delays by designing a proper timing of the register transfer level circuit. In addition, the loss of stability in the network due to delays may be compensated by a proper choice of the PI controller coefficients, as discussed in Sec. III.

III. FOUNDATIONS OF PLL NETWORK SYNCHRONIZATION AND PERFORMANCE

The distributed synchronous clocking approach was suggested in [16]. This study demonstrated that a network of coupled PLLs was able to provide clock signals to physically distant parts of a computing system. However, due to particular features of the phase-frequency detector used, the design suffered from “mode-locks” (multiple coexisting stable modes with synchronicity in frequency but not in phase). The first proof-of-concept of PLL networks was carried out in [11]. The network in that study was made of 16 distributed oscillators operating at 1.3 GHz fabricated in 0.35 μm CMOS technology. The new wave of distributed frequency generation has been based on all-digital PLLs with successful designs demonstrated in [6], [17].

There is a deep and rigorous theory underlying the synchronization process in PLL/ADPLL networks. This theory has been developed substantially over recent years so it has become possible to treat such complex systems analytically, despite their mixed analog-digital nature and self-sampling operation. The first advancement in this regard was presented in [18] where an equivalent linear time independent discrete-time system was proposed. In Ref. [19], a design methodology, using a convex optimization approach and involving simple linear matrix inequality constraints, was developed. Study [20] introduced a novel nonlinear event-driven discrete-time ADPLL model that is not based on any simplifications typical for ADPLL modelling. The proposed model was then used in [5], [21] to demonstrate the global stability and synchronization of ADPLL networks. Summarizing the recent research, we outline the following:

- The worst-case synchronization error between two neighbors in a network is equal to or less than the sum of the first two resolution steps of the PFD. According to the characteristic shown in Fig. 3, it corresponds to 38 ps at $V_{DD} = 1.1$ V.
- Several studies have emphasized the possibility of undesirable synchronization modes (mode-locks) in analog PLL networks. The implemented 10×10 oscillator network does not display mode-locks based on testing hundreds of runs in different configurations with different initial conditions. This is a clear advantage of a digital ADPLL network over its analog counterpart.

IV. CHIP MEASUREMENT

The photograph of the fabricated chip in CMOS 65 nm technology of ST Microelectronics is shown in Fig. 4. The chip has a single supply for all the blocks of the network. For testing purposes, some signals are routed-off-chip, as indicated

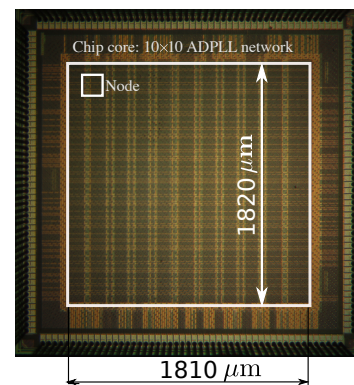


Fig. 4. Photograph of the implemented ADPLL network-on-chip.

in Fig. 1. The power consumption of the system as a function of the frequency of the input reference signal at different supply voltages is given in Fig. 5, highlighting the frequency lock-in range of the network for different V_{DD} . The DCO power consumption dominates in the overall node consumption with $\approx 2.7 \mu\text{W}/\text{MHz}$ per node at $V_{DD} = 1.1$ V.

The synchronization of the network has been characterized by two methods. The first method is the observation of the digital output of three (out of total 181) PFDs, see Fig. 1. Since the PFDs are implemented on-chip, this provides a precise and free of parasitics measurement of the phase error between two neighboring nodes. Figure 6(a) presents the mean and the root mean square (RMS) of the digital output of the three PFDs versus the supply voltage. The mean error is under 0.3 PFD resolution step (≈ 6 ps). The RMS of the phase error is close to unity. As shown by the example of the PFD between nodes N1.6 and N1.7 (Figure 6(b) and (c)), the output of the PFD is ± 1 during 94% of time and with ± 2 during the remaining time. A PFD output of ± 1 means that the error is below 38 ps at $V_{DD} = 1.1$ V and 42 ps at $V_{DD} = 1.0$ V. Figure 6(d) presents the spectrum of the phase error noise directly measured on

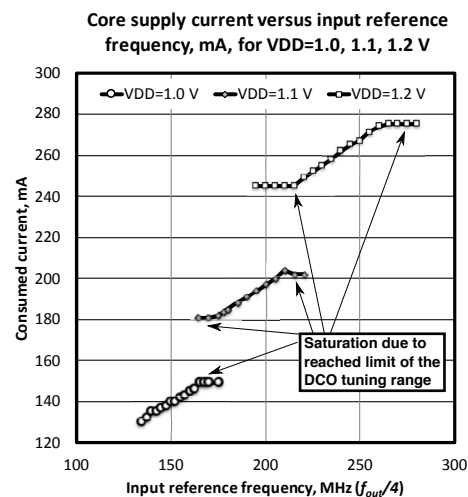


Fig. 5. Chip measurement: power consumption as a function of the frequency of the input reference signal for different supply voltages V_{DD} .

routed-off-chip oscillator outputs and the spectrum of the phase noise of oscillator N1.6. The precision of synchronization can be improved by increasing the PFD resolution.

The second method is a routed-off-chip measurement of the output of 27 (out of total 100) DCOs (please refer again to Fig. 1) after the frequency was divided by 8. A large and variable length of the bonding wires (5 to 7 mm) and PCB routing, combined with a high power consumption of the pad ring, have made this method less reliable for the characterization of the real phase error on-chip. Figure 7 presents the routed-off-chip characterization of the phase error statistics between the clocks generated on the main diagonal (between nodes (1,1) and (i,i) where $i = 1, \dots, 10$) obtained when the network is fully autonomous, at an output frequency of 720.8 MHz at $V_{DD} = 1.1$ V. A ‘proportional-to-the-distance’ trend is clearly observed, with a maximal mean error of 943 ps, which is 68% of the clock period. In most cases, an almost constant standard deviation of the error, above 300 ps, is mainly attributed to the jitter due to the noise of the pad supply.

A linear scaling of the absolute phase error with the distance between the nodes may be explained as follows. In synchronous mode, ADPLL/ADPLL network acts as a linear control system with a transfer function in the z -domain and a constant delay. When synchronized, we deal with a network of linear systems where phase error propagates linearly. The total phase error we observe depends on how many nodes we have in a given path under observation.

The stability of network operation in autonomous mode over time is demonstrated in Fig. 8. The network is first driven by an external reference signal in order to set the frequency at a certain desired value (at $t = 0$). The external signal is then disconnected by reprogramming the network topology. After that, the network is observed during 1700 seconds. The plot demonstrates an excellent frequency stability (with less than

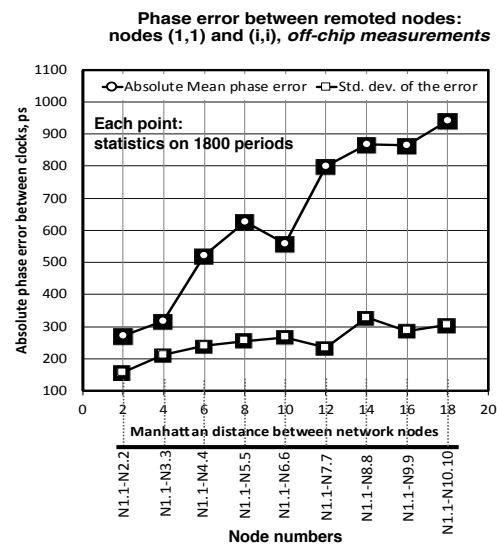


Fig. 7. Chip measurement: phase error between nodes (1,1) and (i,i) against the Manhattan distance between the nodes. The measurement was carried out on routed-off-chip DCO signals.

0.09% max-to-min noise-like fluctuations) and high robustness of synchronization between neighboring nodes (with a less than 3 ps mean value obtained through the routed-off-chip measurement described above).

The proposed network design is compared with existing analog active clocking techniques [11], [13], conventional H-tree networks [22] and authors’ previous studies [6] in Table. I. The size of the implemented network and the power consumed per node are among best, except for [13], where a sophisticated inductive coupling is used. Comparing to the authors’ previous implementation of the ADPLL network, the presented network is significantly greater in size (100 vs 16), has 2.7 times lower power consumption per node and per MHz, and has 3 times smaller area per node. The choice of a relatively low clock

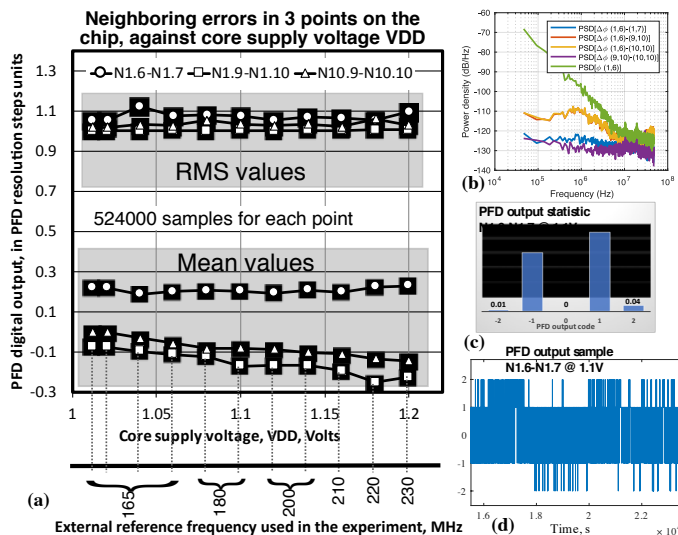


Fig. 6. Chip measurement: (a) Statistics of the output of the three observable PFDs versus the supply voltage (left plot); (b) Power spectral density (PSD) of selected phase errors and the phase noise of oscillator N1.6; (c) and (d) statistics of the output of a PFD.

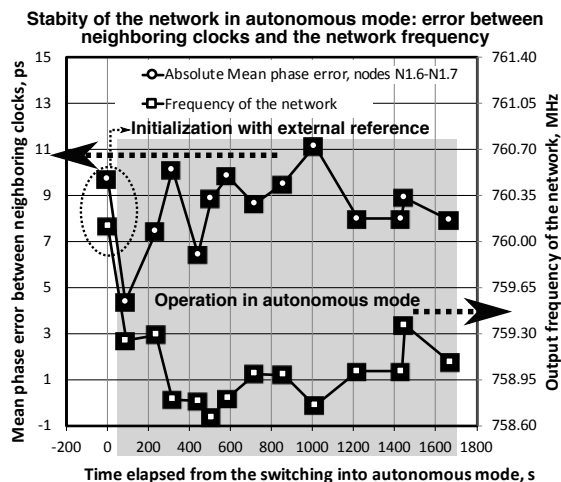


Fig. 8. Chip measurement: operation in autonomous mode with the PFD-0 link deactivated (see Fig. 1). The phase error is measured on the routed-off-chip DCO signals with statistics calculated over 1800 periods.

TABLE I. TABLE COMPARING THE PRESENTED STUDY WITH THE STATE-OF-THE ART IMPLEMENTATION OF SIMILAR SYSTEMS.

	Gutnik et al., [11]	Take et al., [13]	Pavlidis et al., [22]	Prev. author's work, [6],[14]	This work
CMOS Technology	350 nm	180 nm	180nm	65 nm	65 nm
Network size	4x4 nodes	2x64 nodes (3D topology)	3x16 nodes (3D topology)	4x4 nodes	10x10 nodes
Oscillator types	Ring VCO	LC and CMOS ring VCOs	H-tree	Ring DCO	Ring DCO
Frequency range	1.1-1.3 GHz	1.1 GHz	1 GHz	1100-2380 MHz @1.1V	700-840MHz @ 1.1V
Errors between neighbors	10 ps peak	~10 ps	Not available	<60 ps peak	<38 ps peak
Error between distant nodes	N/A	<25 ps, prop. to distance	32.5 ps	N/A (not relevant for small network)	prop. to distance, < 960 ps
Total consumed power	130mA@3V	196mW	260 mW @VDD=1.5 V	180mW@1.6 GHz	202mA@1.1V @816 MHz
Consumed power, μW per MHz per node	18.75	1.4	5.4	7.3	2.7
Area per node	0.0038 mm ²	0.04 mm ²	Not available	0.045	0.013 mm ²
Implementation	Analog	Analog/digital	Analog	Digital	Digital

frequency (800 MHz) is mainly due to a compromise with regard to the complexity of design and test of the chip in laboratory conditions. A migration of the design to a more recent CMOS technology will naturally lead to an increased clock speed, fitting to the specifications of modern Systems-on-Chip. A high scalability and complete compatibility with the conventional digital design flow are achieved at the price of a larger peak error between neighboring nodes (38 ps) than that in state-of-the-art analog solutions (10 ps).

V. CONCLUSIONS

The paper presented a first implementation of a very large network of coupled all-digital PLLs integrated on a chip using 65 nm CMOS technology. Compared to the performance of existing implementations of smaller networks, the quality of the neighbor-to-neighbor synchronization in the presented network is maintained at the same level, under 2 phase-frequency detector steps. This proves the scalability of the proposed architecture and its suitability for global clock generation in large systems-on-chip. The analysis of transistor level simulations and chip characterisation reinforce the idea that the design of the ADPLL blocks may be optimized to improve the performances of such a network drastically. The accuracy of synchronization may approach that of analog solutions if the resolution of the time-to-digital is increased. The size and the power consumption of a node may be improved by using an alternative DCO design, for instance, a current-controlled voltage-controlled oscillator. The ability of the proposed network to operate in autonomous mode, while providing a fully digital control of the network configuration, is an advantage of the proposed clocking technique over previously reported analog architectures.

REFERENCES

[1] J. Torrejon, M. Riou, F. A. Araujo, S. Tsunegi, G. Khalsa, D. Querlioz, P. Bortolotti, V. Cros, K. Yakushiji, A. Fukushima *et al.*, "Neuromorphic computing with nanoscale spintronic oscillators," *Nature*, vol. 547, no. 7664, p. 428, 2017.

[2] G. Causapruno, F. Riente, G. Turvani, M. Vacca, M. R. Roch, M. Zamboni, and M. Graziano, "Reconfigurable systolic array: from architecture to physical design for NML," *IEEE Trans. on Very Large Scale Integration (VLSI) Systems*, vol. 24, no. 11, pp. 3208–3217, 2016.

[3] S. A.-R. Ahmadi-Mehr, M. Tohidian, and R. B. Staszewski, "Analysis and design of a multi-core oscillator for ultra-low phase noise," *IEEE Trans. on Circuits and Systems I: Regular Papers*, vol. 63, no. 4, pp. 529–539, 2016.

[4] E. Gantsog, A. B. Apsel, and F. Lane, "A quantized pulse coupled oscillator for slow clocking of peer-to-peer networks," in *2015 IEEE Int. Symposium on Circuits and Systems (ISCAS)*, 2015, pp. 1314–1317.

[5] E. Koskin, D. Galayko, and E. Blokhina, "A concept of synchronous ADPLL networks in application to small-scale antenna arrays," *IEEE Access*, vol. 6, pp. 18 723–18 730, 2018.

[6] E. Zianbetov, D. Galayko, F. Anceau, M. Javidan, C. Shan, O. Billoint, A. Kornienko, E. Colinet, G. Scorletti, J. Akre *et al.*, "Distributed clock generator for synchronous SoC using ADPLL network," in *IEEE Custom Integrated Circuits Conference (CICC)*, 2013, pp. 1–4.

[7] R. Islam and M. R. Guthaus, "HCDN: Hybrid-mode clock distribution networks," *IEEE Trans. on Circuits and Systems I: Regular Papers*, vol. 66, no. 1, pp. 251–262, 2019.

[8] Z. Bai, X. Zhou, R. D. Mason, and G. Allan, "Low-phase noise clock distribution network using rotary traveling-wave oscillators and built-in self-test phase tuning technique," *IEEE Trans. on Circuits and Systems II: Express Briefs*, vol. 62, no. 1, pp. 41–45, 2014.

[9] L. Xiu, "Clock technology: The next frontier," *IEEE Circuits and Systems Magazine*, vol. 17, no. 2, pp. 27–46, 2017.

[10] P. E. Ross, "Why CPU frequency stalled," *IEEE Spectrum*, vol. 45, no. 4, pp. 72–72, 2008.

[11] V. Gutnik and A. Chandrakasan, "Active GHz clock network using distributed PLLs," *IEEE Journal of Solid-State Circuit*, vol. 35, no. 11, pp. 1553–1560, 2000.

[12] F. Mahony, "10 GHz clock distribution using coupled standing-wave oscillators," *IEEE Int. Solid-State Circuits Conference*, 2003.

[13] Y. Take, N. Miura, H. Ishikuro, and T. Kuroda, "3D clock distribution using vertically/horizontally-coupled resonators," in *IEEE Int. Solid-State Circuits Conference*, 2013, pp. 258–259.

[14] M. Javidan, E. Zianbetov, F. Anceau, D. Galayko, A. Kornienko, E. Colinet, G. Scorletti, J. Akre, and J. Juillard, "All-digital PLL array provides reliable distributed clock for SOCs," in *Circuits and Systems (ISCAS), 2011 IEEE Int. Symposium on*. IEEE, 2011, pp. 2589–2592.

[15] J. Tierno, A. Rylyakov, and D. Friedman, "A wide power supply range, wide tuning range, all static CMOS all digital PLL in 65 nm SOI," *IEEE Journal of Solid-State Circuits*, vol. 43, no. 1, pp. 42–51, 2008.

[16] G. Pratt and J. Nguyen, "Distributed synchronous clocking," *IEEE Trans. on Parallel and Distributed Systems*, vol. 6, no. 3, pp. 314–328, 1995.

[17] C. Shan, D. Galayko, F. Anceau, and E. Zianbetov, "A reconfigurable distributed architecture for clock generation in large many-core SoC," in *Int. Symposium on Reconfigurable and Communication-Centric Systems-on-Chip (ReCoSoC), 2014 9th*, 2014, pp. 1–8.

[18] J.-M. N. Akre, J. Juillard, D. Galayko, and E. Colinet, "Synchronization analysis of networks of self-sampled all-digital phase-locked loops," *Circuits and Systems I: Regular Papers, IEEE Trans. on*, vol. 59, no. 4, pp. 708–720, 2012.

[19] A. Kornienko, G. Scorletti, E. Colinet, E. Blanco, J. Juillard, and D. Galayko, "Control law synthesis for distributed multi-agent systems: Application to active clock distribution networks," in *Proceedings of the American Control Conference*, 2011, pp. 4691–4696.

[20] E. Koskin, E. Blokhina, C. Shan, E. Zianbetov, O. Feely, and D. Galayko, "Discrete-time modelling and experimental validation of an all-digital PLL for clock-generating networks," in *IEEE Int. New Circuits and Systems Conference (NEWCAS)*, 2016, pp. 1–4.

[21] E. Koskin, D. Galayko, and E. Blokhina, "Averaging techniques for the analysis of event driven models of All Digital PLLs," in *IEEE Int. Symposium on Circuits and Systems (ISCAS)*, 2018, pp. 1–5.

[22] V. F. Pavlidis, I. Savidis, and E. Friedman, "Clock distribution networks for 3-D integrated circuits," in *IEEE Custom Integrated Circuits Conference (CICC)*, 2008, pp. 651–654.