



**HAL**  
open science

## Buck-boost converters design for Ultracapacitors and lithium battery mixing in hybrid vehicle applications

M.B. Camara, H. Gualous, B. Dakyo, C. Nichita, P. Makany

► **To cite this version:**

M.B. Camara, H. Gualous, B. Dakyo, C. Nichita, P. Makany. Buck-boost converters design for Ultracapacitors and lithium battery mixing in hybrid vehicle applications. 2010 IEEE Vehicle Power and Propulsion Conference (VPPC), Sep 2010, Lille, France. 10.1109/vppc.2010.5729140 . hal-02153699

**HAL Id: hal-02153699**

**<https://hal.science/hal-02153699v1>**

Submitted on 8 Nov 2020

**HAL** is a multi-disciplinary open access archive for the deposit and dissemination of scientific research documents, whether they are published or not. The documents may come from teaching and research institutions in France or abroad, or from public or private research centers.

L'archive ouverte pluridisciplinaire **HAL**, est destinée au dépôt et à la diffusion de documents scientifiques de niveau recherche, publiés ou non, émanant des établissements d'enseignement et de recherche français ou étrangers, des laboratoires publics ou privés.



Distributed under a Creative Commons Attribution 4.0 International License

See discussions, stats, and author profiles for this publication at: <https://www.researchgate.net/publication/235256715>

# Buck–Boost converters design for Ultracapacitors and lithium Battery mixing in Hybrid Vehicle Applications

Conference Paper · September 2010

DOI: 10.1109/VPPC.2010.5729140

CITATIONS

7

READS

930

5 authors, including:



**M.B. Camara**

Université du Havre

113 PUBLICATIONS 1,751 CITATIONS

[SEE PROFILE](#)



**Hamid Gualous**

Université de Caen Normandie

243 PUBLICATIONS 4,007 CITATIONS

[SEE PROFILE](#)



**Brayima Dakyo**

Université du Havre

225 PUBLICATIONS 2,871 CITATIONS

[SEE PROFILE](#)



**Cristian Nichita**

Université du Havre

96 PUBLICATIONS 1,100 CITATIONS

[SEE PROFILE](#)

Some of the authors of this publication are also working on these related projects:



These Intitul [View project](#)



Si photonics and nano-patterning [View project](#)

# Buck-Boost converters design for Ultracapacitors and lithium Battery mixing in Hybrid Vehicle Applications

M.B. Camara<sup>1</sup>, H. Gualous<sup>2</sup>, B. Dakyo<sup>1</sup>, C.Nichita<sup>1</sup>, P. Makany<sup>2</sup>

<sup>1</sup>Faculté de Sciences Techniques Université du Havre  
Laboratoire GREAH-25 Rue Philippe Lebon-BP540  
76058 Le havre, FRANCE  
@ : camaram@univ-lehavre.fr

<sup>2</sup>IUT de Cherbourg Université du Caen  
Laboratoire LUSAC- Rue Max-Pol Fouchet - B.P. 82  
50100 Cherbourg - Octeville, FRANCE  
@ : hamid.gualous@unicaen.fr

**Abstract** — This paper presents a careful study related to a more efficient energy management between lithium battery (with rated voltage of 24V) and Ultracapacitors (UC) for Hybrid Electric Vehicle (HEV) applications. This association is due to the present trend in the field, knowing that the major drawback of the HEV is the autonomy problem. Thus, using the Hybrid energy source (such as UC + battery) and with a good energy management improves the HEV performances. In this paper, battery and Ultracapacitors (10 cells of 2.7V in series) are coupled to DC-bus using two buck-boost converters. The main contribution of this paper is focused on DC-bus voltage and currents control strategy based on polynomial (RST) controller. Through some simulations in MATLAB/Simulink software and experimental results, the authors present an improved energy management for HEV.

**Keywords**- Lithium battery; ultracapacitors; polynomial control; hybrid electric vehicle.

## NOMENCLATURE

$V_{bat}$	Battery's voltage
$V_{DC-bus}$	DC-bus voltage
$V_{uc}$	Ultracapacitors (UC) module voltage
$I_{batin}$	Battery's current
$I_{batinref}$	Battery's reference current
$I_{Load}$	Electric load current
$I_{uc}$	Ultracapacitors current
$I_{ucref}$	Ultracapacitors reference current
$I_{out}$	Converter output current in UC side
$I_{bat}$	Converter output current in battery side
$\alpha$	Converter's duty cycles
$M$	Masse of the vehicle in [kg]
$V$	Vehicle's speed in [m/s]
$g$	Gravity acceleration
$\rho_a$	Air mass density
$C_D$	Aerodynamic drag coefficient of the vehicle
$A_f$	Front area of the vehicle in
$\sigma$	Rotational inertia factor
$dV/dt$	Acceleration of the vehicle in [ $m/s^2$ ]
$f_r$	Rolling resistance coefficient
$\theta$	Grade of the road in [degree]
$f_d$	Converter control frequency
$L_1, L_2$	$I_{uc}$ and $I_{batin}$ smoothing inductors
$C_1, C_2$	DC-bus capacitors

## I. INTRODUCTION

TODAY, many researches are undertaken for Hybrid Electric Vehicle (HEV) applications. Generally, these vehicles combines in addition to its main energy sources (oil, gas), energy storage components such as: fly-wheel, ultracapacitors (UC) and battery. The HEV has the advantages of thermal vehicles (autonomy and flexibility in use) and electric ones (no pollution), but it is not the simple combination of these models, because the elements must be optimized.

Considering autonomy problem, the traction batteries used until now must be improved to satisfy the energy needs for future vehicles; if no, they must be dimensioned to satisfy the vehicle energy requested during transient states. This problem reduces drastically the battery lifetime.

A promising solution in the short time is based on the battery and Ultracapacitors combination. This affirmation is due to ultracapacitors dynamics behavior and their lifetime about 10 years. In terms of energy management the research teams are still trying to find the right solution which can assure an energetic autonomy to HEV [1] - [6].

In the case of HEV, the main subsystems include (see Figure.1): the electric source (lithium battery and ultracapacitors), the electric load emulator (Electric machine + Inverter) and the DC/DC converters for UC and lithium battery coupling.

The main goal of this paper is to present a new approach related to energy management in a HEV, through a control strategy of the currents and DC-bus voltage using polynomial controllers (RST).

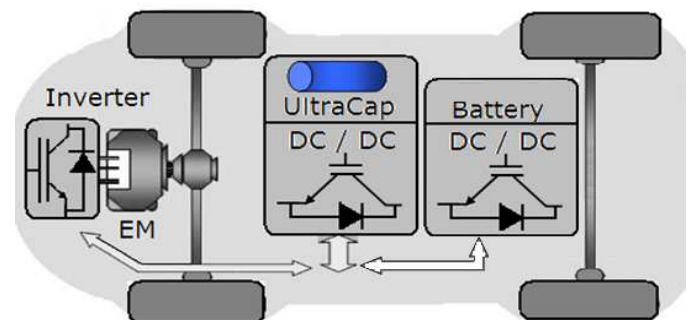


Figure.1: Controlling system layout.

The hybrid system is simulated with MATLAB/Simulink Software and experimental control algorithm is implemented in PIC18F4431 microcontroller. The experimental data acquisition system is monitored using National Instruments Labview with PXI-1002 Unit.

## II. CONVERTERS MODELING AND CONTROL STRATEGY

The traction system of the Hybrid Electric Vehicle (in reduced scale) includes a module of Ultracapacitors (UC) with a maximum voltage of 27V, a source of energy (batteries) with rated voltage 54V, and 5kW power electronic load (as electrical machine + Inverter). The UC module and lithium batteries ones are coupled to DC-bus, through buck-boost converters, which ensure the energy exchange between the UC and the batteries as presented in Figure.2. The control of these converters is related to energy management strategy between the hybrid sources and the electric load (inverter + electric machine) [2]-[4].

### A. Buck-boost converters modeling

To establish a general model of the buck-boost converter, it is necessary to analyze the buck and boost modes. During boost mode (Figure.2), K1 semiconductor is ON, and K2 is OFF. In this condition, the ultracapacitors module provides energy to the *DC-bus*. In buck mode, K2 is ON, and K1 pass in OFF mode, then the ultracapacitors receives energy from *DC-bus*. These sequences are same for buck-boost converter in battery side, i.e., if K3 is ON, and K4 is OFF, the second converter is in boost mode. When K3 is OFF, and K4 is ON, it becomes in buck mode.

The analytical model of the buck-boost converter (in ultracapacitors side) resulting from the sequences analyze is given in (1), where,  $k$  and  $\alpha$  define the sign of the ultracapacitors current and the equivalent value of the duty cycle.

In lithium battery side, the converter average model obtained from the sequences analyzes is presented in (2), where  $\delta$  and  $\mu$  present the sign of the lithium battery current  $I_{batin}$ , and the equivalent value of the duty cycle.

$$\begin{cases} V_{L1} = L_1 \cdot \frac{d}{dt}(I_{uc}) = k \cdot (V_{uc} - \alpha \cdot V_{DC-bus}) \\ I_{ch} = I_{bat} + I_{out} \end{cases} \quad (1)$$

$$\begin{cases} V_{L2} = L_2 \cdot \frac{d}{dt}(I_{batin}) = \delta \cdot (V_{bat} - \mu \cdot V_{DC-bus}) \\ \mu = 1 - \alpha' \\ I_c = C_2 \cdot \frac{d}{dt}(V_{DC-bus}) = \mu \cdot I_{batin} - I_{bat} \end{cases} \quad (2)$$

These average models have a nonlinear behavior due to crosses between the control variables ( $\alpha$ ,  $\mu$ ) and the state variables ( $I_{uc}$ ,  $I_{batin}$ ,  $V_{DC-bus}$ ). The following variables:  $V_{DC-bus}$ ,  $V_{uc}$ ,  $I_{Load}$ , and  $V_{bat}$  are likely to disturb the control.

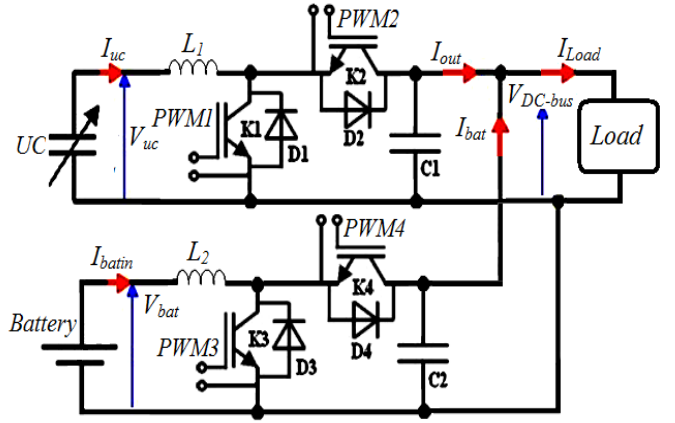


Figure.2: Converter topology

Theses last must be measured and used in control law estimation to ensure a dynamics of control [2], [4].

### B. Buck-boost converters control strategy

The converters control strategy is based in the polynomial dynamic control strategy for energy management between *DC-bus* and hybrid sources (batteries and ultracapacitors). This strategy includes two steps; the first is based on currents control (in UC side), and second is focused on *DC-bus* voltage control (in the lithium battery side). To manage the ultracapacitors current, the buck-boost converter control laws established from (1) are used as presented in (3) (buck mode), and (4) (boost mode).

$$\alpha = \alpha_{buck} = \frac{V_{uc} + V_{L1}}{V_{DC-bus}}, \quad k = -1 \quad (3)$$

$$\alpha = 1 - \alpha_{boost} = \frac{V_{uc} - V_{L1}}{V_{DC-bus}}, \quad k = 1 \quad (4)$$

That of the *DC-bus* voltage control, the boost converter control law, obtained from (2) is given in (5). In this case, two control loops are necessary, the first is the current feedback (inner loop) and the second is the voltage loop (outside loop).

$$\alpha' = 1 - \frac{V_{bat} - V_{L2}}{V_{DC-bus}}, \quad \delta = 1 \quad (5)$$

The lithium battery and UC reference currents ( $I_{batinref}$ , and  $I_{ucref}$ ) established from (2) is presented in (6), where  $I_{bat}$  presents the boost converter output current as showed in Figure.2,  $I_c$  is the capacitor's current.

$$\begin{cases} I_{batinref} = \frac{V_{DC-bus}}{V_{bat}} (I_{bat} + I_c) \\ I_{ucref} \approx \frac{V_{DC-bus}}{V_{uc}} \cdot I_{load} - \frac{V_{bat}}{V_{uc}} \cdot I_{batinref} \end{cases} \quad (6)$$

The electric load current [5], expressed as function of the HEV speed and technical parameters is presented in (7), where,

$$\begin{cases} I_{Load} = \frac{V}{V_{DC-bus}} (M \cdot g \cdot f_r + \frac{1}{2} \cdot \rho_a \cdot C_D \cdot A_f \cdot V^2 + \beta) \\ \beta = M \cdot \sigma \cdot \frac{d}{dt}(V) + M \cdot g \cdot \sin(\theta) \end{cases} \quad (7)$$

$M$  is vehicle masse in [kg];  
 $V$  is vehicle speed in meters per second;  
 $g$  is gravity acceleration,  $9.81m/s^2$ ;  
 $\rho_a$  is air mass density,  $1.205kg/m^3$ ;  
 $C_D$  is the aerodynamic drag coefficient of the vehicle;  
 $A_f$  is the front area of the vehicle in square meters;  
 $\sigma$  is the rotational inertia factor;  
 $dV/dt$  is the acceleration in meters per square second;  
 $f_r$  is the rolling resistance coefficient ;  
 $\theta$  is the grade of road.

In standard driving cycles, road is flat ( $\theta=0$ ). These parameters are given in TABLE I. The UC current control strategy is illustrated in Figure.3, where Ultracapacitors module initial voltage is fixed at 23V. To improve the voltage control performances,  $\Delta I_c$  current is estimated and injected in  $DC$ -bus voltage control loop as presented in Figure.4.a. The battery's current control diagram (inner loop) is illustrated in Figure.4.b.

$$\Delta I_c = \frac{\Delta I_{batinref} \cdot V_{bat}}{V_{DC-bus}} - I_{bat} \quad (8)$$

In goal to obtain a minimal static error with disturbance rejection,  $R(z^{-1})$  and  $S(z^{-1})$  polynomials are selected as expressed in (9). The choosing method is described in [2], [6], [7], where a similar polynomial control strategy was employed for current control in the parallel topology of the DC/DC converter. Here, this technique will be applied to the buck-boost converter for currents and  $DC$ -bus voltage management.

$$\begin{cases} S(z^{-1}) = 1 - z^{-1} \\ T(z^{-1}) = R(z^{-1}) = r_{0xx} + r_{1xx} \cdot z^{-1} \end{cases} \quad (9)$$

In this equation,  $xx$  index correspond to  $i_{uc}$  and  $i_{bat}$  (for  $UC$  current loop and battery's current loop), and  $v$  for  $DC$ -bus voltage control ones. The final coefficients obtained from closed loops analysis, in case of currents and voltage control are respectively expressed in (10) and (11), where  $C_2$  is  $DC$ -bus voltage smoothing capacitor;  $L$  is current smoothing inductor;  $T_e$  is the sampling period; and  $\omega_i$  is current control band-width. In case of the  $I_{uc}$  control,  $L=L_1$ ; and  $L=L_2$  for  $I_{batin}$ .

$$\begin{cases} r_{0iuc,bat} = 2 \cdot (1 - \exp(-\omega_i \cdot T_e)) \cdot \frac{L}{T_e} \\ \omega_i \leq \frac{2 \cdot \pi \cdot f_d}{10} \\ r_{1iuc,bat} = (\exp(-2 \cdot \omega_i \cdot T_e) - 1) \cdot \frac{L}{T_e} \end{cases} \quad (10)$$

$$\begin{cases} r_{0v} = 2 \cdot (1 - \exp(-\omega_v \cdot T_e)) \cdot \frac{C_2}{T_e} \\ \omega_v = 100 \cdot \omega_i \\ r_{1v} = (\exp(-2 \cdot \omega_v \cdot T_e) - 1) \cdot \frac{C_2}{T_e} \end{cases} \quad (11)$$

These parameters are implemented in MATLAB/Simulink Software for Hybrid System simulations. The selected maximum frequency of the band-width is lower than  $(1/10)$  of the IGBT control frequency. The resulting parameters obtained from this condition are summarized in TABLE II.

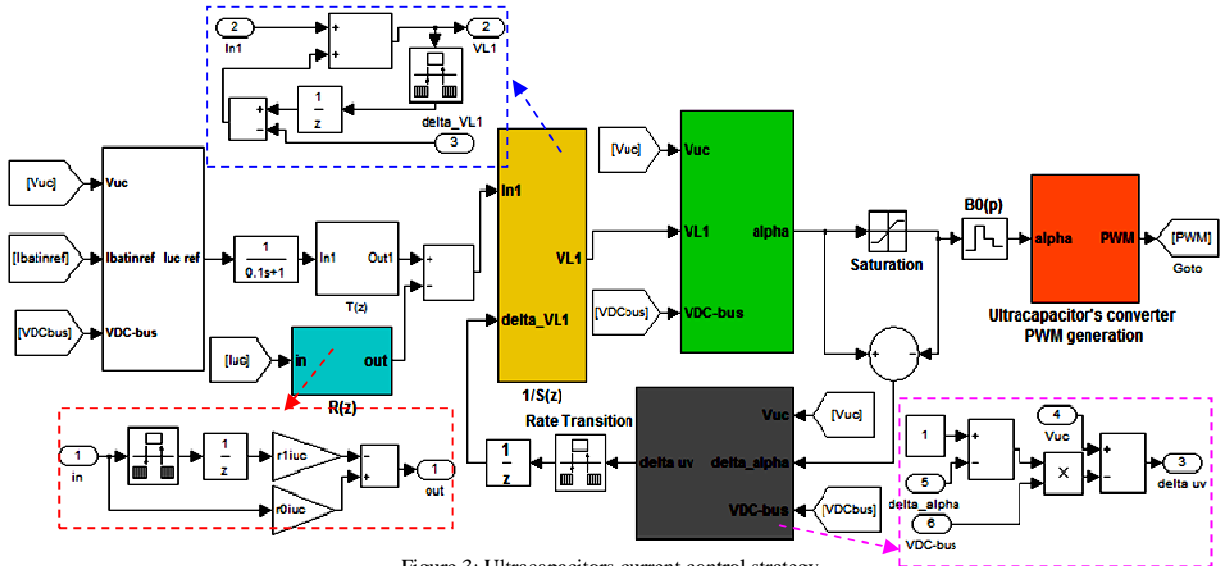


Figure.3: Ultracapacitors current control strategy

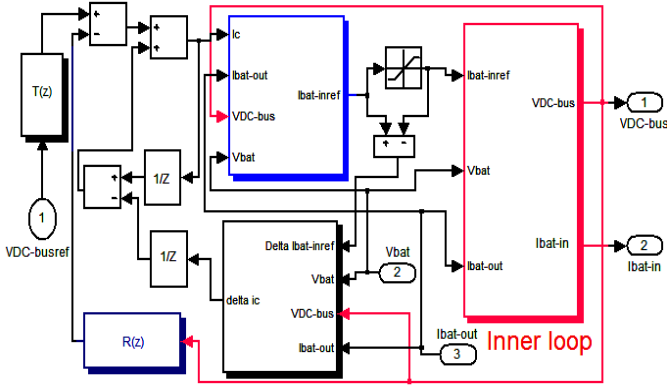


Figure.4.a: Voltage control loop (outside)

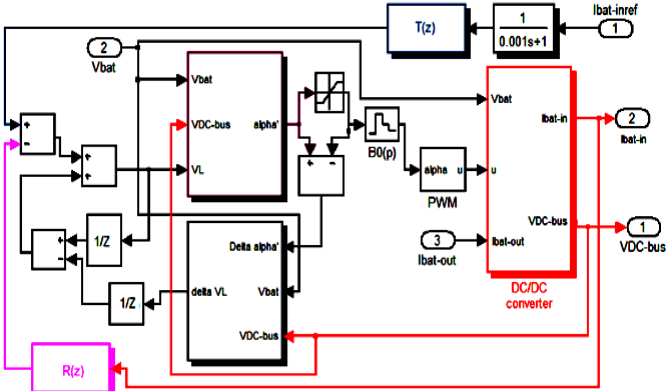


Figure.4.b: Battery's current control loop (inner loop)

TABLE I:  
COMPONENTS NOMENCLATURE

SYMBOL	NAME	VALUE
$L_1=L_2$	Currents smoothing inductances	200 $\mu\text{H}$
$C_1$	DC-bus capacitor	1500 $\mu\text{F}$
$C_2$	DC-bus capacitor	6800 $\mu\text{F}$
$M$	Vehicle masse	1250kg
$C_D$	Aerodynamic drag coefficient	0.3
$A_f$	Front area	2.2m <sup>2</sup>
$\sigma$	Rotational inertia factor	1.05
$f_r$	Rolling resistance coefficient	0.3
$fd$	control frequency	10kHz

TABLE II:  
VOLTAGE AND CURRENTS CONTROL LOOPS PARAMETERS

SYMBOL	INPUT PARAMETERS	NOMENCLATURE
$V_{uc}$	13.5 V-27 V	UC module voltage
$T_e=1/fd$	100 $\mu\text{s}$	Sampling period
$\omega_i$	6283 rad/s	Currents loops band-width
$r_{0iuc} + r_{1iuc}z^{-1}$	$0.7654 - 0.3993z^{-1}$	$I_{uc}$ control polynomial
$r_{0ibat} + r_{1ibat}z^{-1}$	$0.7654 - 0.3993z^{-1}$	$I_{bat}$ control polynomial
$r_{0v} + r_{1v}z^{-1}$	$33.20 - 16.60z^{-1}$	$V_{DC-bus}$ control polynomial

### III. HYBRID SYSTEM SIMULATION RESULTS

Lithium battery and UC models used for Hybrid Electric Vehicle (HEV) behavior simulation are described in previous papers [2], [4]. In this paper,  $DC$ -bus voltage reference is fixed at constant value so that, the UC module provides HEV energy request during the transient states. This reference is filtered by using low pass filter with constant time of  $\tau=0.1s$ . The load

current ( $I_{Load}$ ) profile is generated from HEV speed as expressed in (7).

For hybrid system simulations, the HEV speed profile plotted in Figure.5 is used. Figure.6 presents the ultracapacitors voltage. This curve shows that, the ultracapacitors pass in charge mode and discharge as function of  $I_{uc}$  courant sign. UC current control result corresponding to this strategy is plotted in Figure.7. This last shows that the proposed control strategy is satisfactory for HEV behavior simulations [8]-[14].

To illustrate  $DC$ -bus voltage control performances, the reference values of this voltage are fixed at 54V (from 0 to 2 s and 6 to 8 s) and 100V (from 2 to 6 s).  $DC$ -bus voltage control result obtained from this strategy is presented in Figure.8. The measured voltage and current on lithium battery module are respectively illustrated in Figure.9 and Figure.10. Load current profile estimated from hybrid electric vehicle speed in [km/h] as presented in (7) is plotted in Figure.11. This current is shared between Ultracapacitors and batteries as illustrated in Figure.12 and Figure.13.

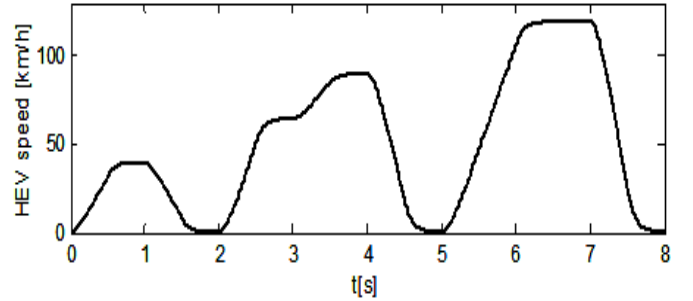


Figure.5: Hybrid Electric Vehicle Speed in [km/h]

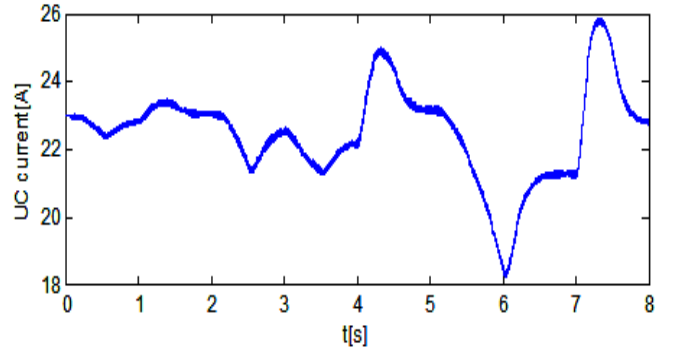


Figure.6: Ultracapacitors module voltage

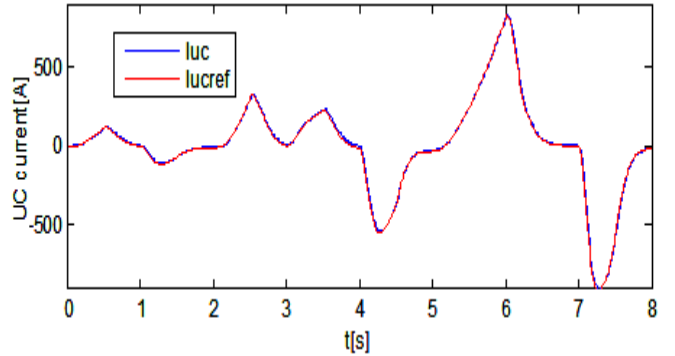


Figure.7: Ultracapacitors current control result

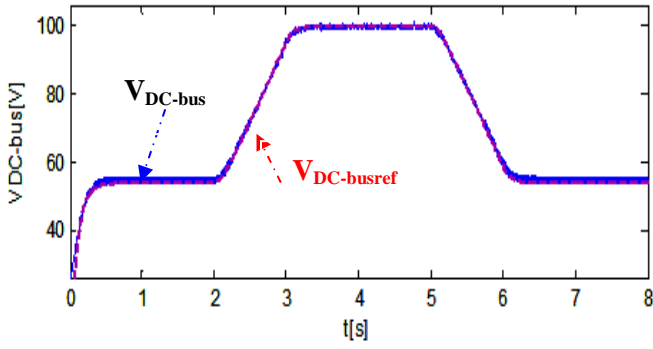


Figure.8: DC-bus voltage control result

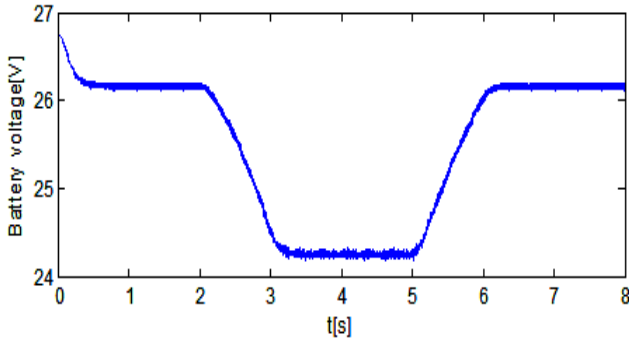


Figure.9: Lithium battery voltage

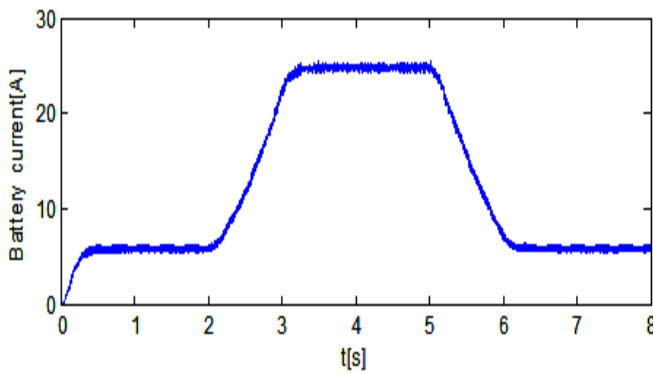


Figure.10: Lithium battery current

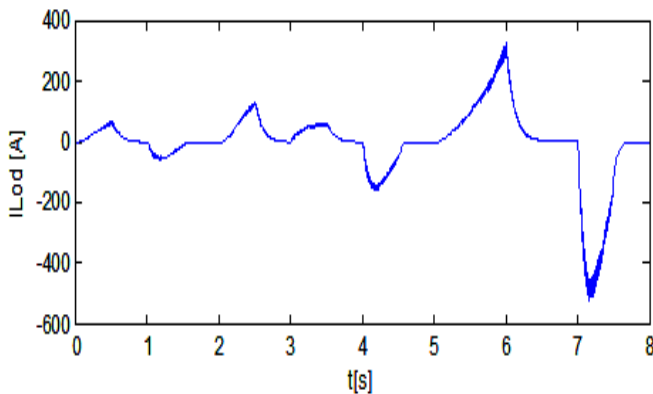


Figure.11: Load current estimated from HEV speed in [km/h]

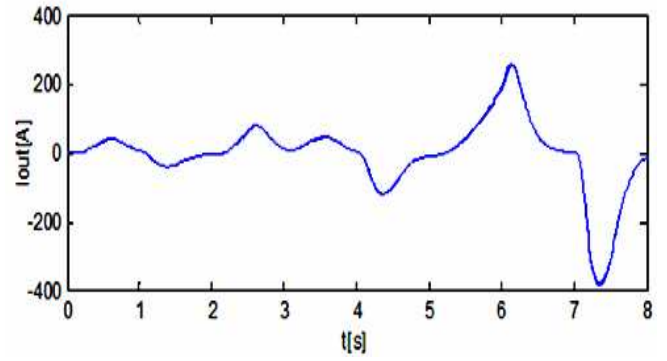


Figure.12: Measured current on DC-bus from Ultracapacitors

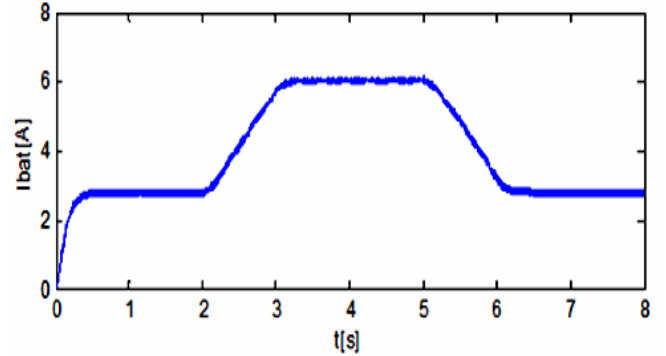


Figure.13: Measured current on DC-bus from battery

These curves show that, the main contribution of the sources is ensured by the Ultracapacitors module. These simulation results enable to conclude that, the polynomial control is very interesting in Hybrid Electric Vehicle behavior simulation. This strategy is implemented in PIC18F4431 microcontroller for experimental test bench control in reduced scale.

#### IV. EXPERIMENTAL SETUP AND RESULTS

An experimental test bench is designed in reduce scale to validate the proposed strategy outlined above. The experimental test bench presented in Figure.14 includes a module of ultracapacitors (10 cells in series with a maximum voltage of 27V); a lithium battery module (four elements of 12V with 92Ah, in series); two buck-boost converters; and power electronics load.

The described control of the buck-boost converters integrating the *UC* voltage limitation algorithm is implemented in Microchip's microcontroller (PIC18F4431).

In this paper, only the boost converter mode (PWM2 and PWM4 are in OFF mode) is tested because the used electronics load is no bidirectional. For this reason, it is not possible to do the HEV current profile as presented in (7). For these experimental tests, the UC module voltage is limited at 18V (for low level) and 27V (for high level). The hybrid vehicle request current  $I_{Lod}$  is fixed at 25A; and lithium battery current is limited at 5A as plotted in Figure.15. These curves show that control strategy of the Ultracapacitors current and that of the battery are satisfactory. The Ultracapacitors voltage and current corresponding to this test are showed in Figure.16. The experimental *DC-bus* voltage obtained from described strategy in above (Figure.4.a) is plotted in Figure.17.

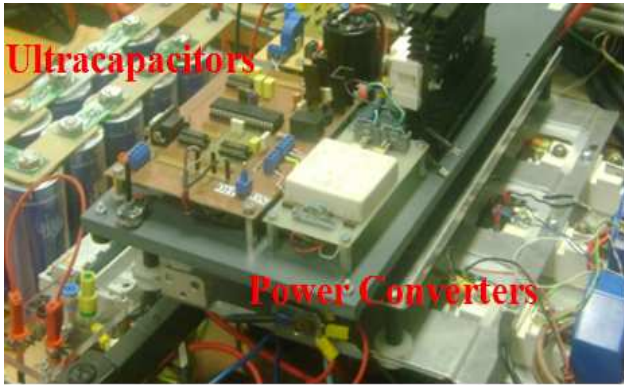


Fig. 14: Experimental setup for UC-lithium battery energy management.

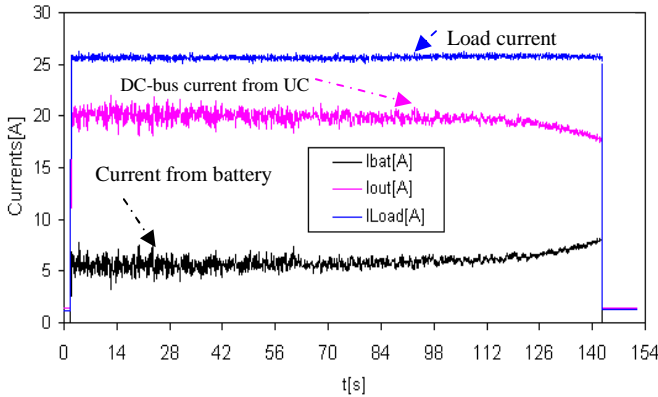


Figure.15: Measured current on DC-bus

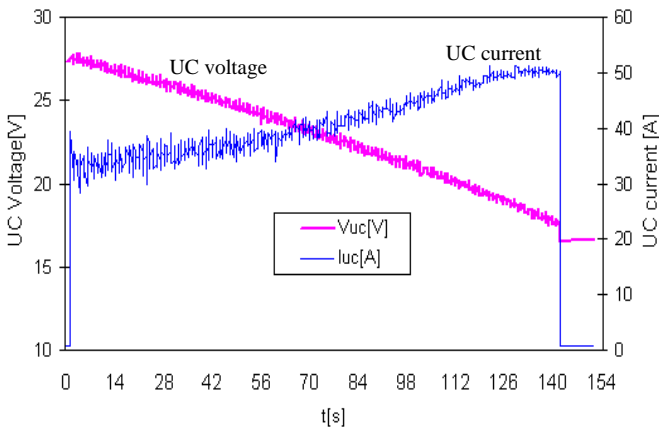


Figure.16: Ultracapacitors module voltage ( $V_{uc}$ ) and current ( $I_{uc}$ )

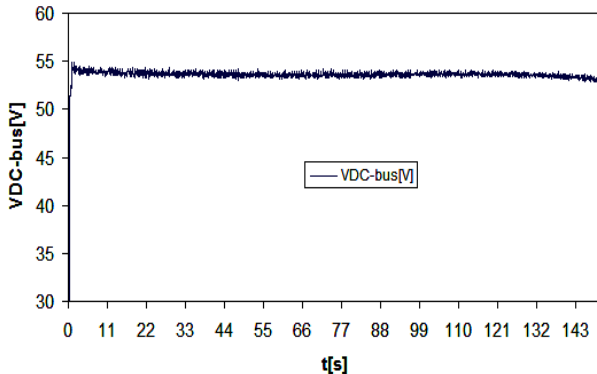


Figure.17: DC-bus voltage control result

## V. CONCLUSION

This paper presents the *DC-bus* voltage and currents management for Hybrid Electric Vehicle traction applications. The *Ultracapacitors - Lithium battery* energy exchange through two buck-boost converters is simulated, and experimented. Complete simulation, and experimental results based on polynomial controller's techniques are presented and analyzed in this paper. Through the simulation results, the performance in terms of the voltage control and the currents are illustrated.

## REFERENCES

- [1] J. Moreno, M.E. Ortuzar, and J.W. Dixon, "Energy-Management System for a Hybrid Electric Vehicle, Using Ultracapacitors and Neural Networks", *IEEE Trans. On Ind. Elec.*, vol.53, No.2, pp.614-623, April 2006
- [2] M.B. Camara, H. Gualous, F. Gustin, A. Berthon, B.Dakyo, "DC/DC converters design for Supercapacitors and Battery Power management in Hybrid Vehicle Applications-Polynomial Control Strategy", *IEEE Trans. On Industrial Electronics*, Vol.57, No.2, February 2010
- [3] L. Solero, A.Lidozzi, J.A.Pomilo, "Design of Multiple-Input Power Converter for Hybrid Vehicles", *IEEE Trans. on Power Electronics*, Vol.20, N.5, September 2005
- [4] Camara, M.B., Gualous, H., Gustin, F. and Berthon, A. "Design and New Control of DC/DC Converters to share energy between SCAP and Battery in Hybrid Vehicle", *IEEE Trans. on Vehicular Technology*, vol.57, no 5, pp.2721-2735, September 2008.
- [5] Yimin Gao, and Mehrdad Ehsani, "Design and Control Methodology of Plug-in Hybrid Electric Vehicles", *IEEE Trans. on Indus. Electronics*, vol.57, no 2, February 2010.
- [6] Camara, M.B. Gualous, H. Gustin, F. and Berthon, A. "Experimental study of buck-boost converters with polynomial control strategy for hybrid vehicles applications", *International Review of Electrical Engineering (IREE)*, vol.2, no 4, pp.601-612, August 2007
- [7] Landau Ioan Doré, Langer Jochen, Ray Daniel, and Barnier. Jean. "Robust control of a 360o flexible arm using the combined pole placement/ sensitivity function shaping method", *IEEE Transaction on Control systems Technology*, Volume 4, Issue 4, pp.369-383, 1996.
- [8] Phatiphat Thounthong, Stéphane Raël, and Bernard Davat "Control Algorithm of Fuel Cell and Batteries for Distributed Generation System", *IEEE Trans. on Energy Conversion*, vol.23, no 1, March 2008.
- [9] Camara M.B, Gustin F, Gualous H, Berthon A., "Energy management strategy for Coupling Supercapacitors and Batteries with DC-DC converters for hybrid vehicle applications", *13<sup>th</sup> IEEE Int. Power Electronics and Motion Control Conf. (EPE-PEMC 2008)*, 1-3 September 2008, Poland, Proceedings CD
- [10] Song-Yul(Ben) Choe, Jong-Woo Ahn, Jung-Gi Lee, and Soo-Hyun Baek "Dynamic Simulator for a PEM Fuel Cell System With a PWM DC/DC Converter", *IEEE Trans. on Energy Conversion*, vol.23, no 2, June 2008.
- [11] Ke Jin, Xinbo Ruan, Mengxiong Yang, and Min Xu, "A Hybrid Fuel Cell Power System", *IEEE Trans. on Industrial Electronics*, vol. 56, no. 4, April 2009
- [12] Freek Baalbergen, Pavol Bauer, and Jan Abraham Ferreira, "Energy Storage and Power Management for Typical 4Q-Load", *IEEE Trans. On Industrial Electronics*, vol. 56, no. 5, May 2009
- [13] M.B.Camara, D.Fodorien, H.Gualous,D.Bouquain and A.Miroui, "Hybrid Sources Control for Electric Drives Traction Applications", *19<sup>th</sup> IEEE Int. Symposium on Power Electronics, Electrical Drives, Automation and Motion*, 11-13 June 2008 Ischia-Italy, Proceedings CD
- [14] Thounthong, P., Rael, S. and Davat, B. "Control strategy of fuel cell and supercapacitors association for a distributed generation system", *IEEE Trans. on Ind. Elec.*, vol.54, no 6, pp.3225-3233, December 2007.