



HAL
open science

Strain-mediated all-magnetoelectric memory cell

Vladimir Preobrazhensky, L. Krutyansky, Nicolas Tiercelin, Yannick Dusch,
A. Sigov, Philippe Pernod, Stefano Giordano

► **To cite this version:**

Vladimir Preobrazhensky, L. Krutyansky, Nicolas Tiercelin, Yannick Dusch, A. Sigov, et al..
Strain-mediated all-magnetoelectric memory cell. *Ferroelectrics*, 2018, 532 (1), pp.160-167.
10.1080/00150193.2018.1499403 . hal-02127943

HAL Id: hal-02127943

<https://hal.science/hal-02127943v1>

Submitted on 8 Oct 2020

HAL is a multi-disciplinary open access archive for the deposit and dissemination of scientific research documents, whether they are published or not. The documents may come from teaching and research institutions in France or abroad, or from public or private research centers.

L'archive ouverte pluridisciplinaire **HAL**, est destinée au dépôt et à la diffusion de documents scientifiques de niveau recherche, publiés ou non, émanant des établissements d'enseignement et de recherche français ou étrangers, des laboratoires publics ou privés.

Strain-mediated all-magnetoelectric memory cell.

V.Preobrazhensky^{1,2}, L.Krutyansky^{1,2}, N.Tiercelin², Y. Dusch², A.Sigov³, P.Pernod²,
S.Giordano².

Joint International Laboratory LIA LICS:

¹ Prokhorov General Physics Institute RAS, ul. Vavilova 38, Moscow, 119991 Russia

² Univ. Lille, CNRS, Centrale Lille, ISEN, Univ. Valenciennes, UMR 8520 - IEMN, F-59000
Lille, France

³ Moscow Technological University (MIREA) 86 Vernadsky av., Moscow, 119571 Russia

Abstract

Downscaling of magnetoelectric random access memory device (MELRAM) is considered by studying an example of the hybrid structure based on ferroelectric-magnetostrictive metal. Elastic mechanism of magnetoelectric interaction is analyzed by numerical modeling taking into account inhomogeneous distribution of anisotropic strain, ferroelectric polarization and electric field. The proposed shape of the cell allows to decrease the inhomogeneity of the strain in the magnetic subsystem and to achieve remarkable dynamic characteristics for a nanometric device sized $50 \times 50 \times 400 \text{ nm}^3$: we adopted an input voltage of $V_0=90 \text{ mV}$ and obtained a switching time $t_S=1.1 \text{ ns}$, an output readout voltage $V_{ME}=4.7 \text{ mV}$ and an ultra-low energy consumption 13 aJ/bit .

Keywords: ferroelectric, magnetoelectric memory, magnetostriction, inhomogeneous strain, dynamic parameters, energy efficiency.

1. Introduction

Professor Petzelt has brought a valuable contribution to the area of ferroelectrics and related materials as well as to experimental methods of their properties investigation [1–3]. Nowadays, the family of ferroelectric materials is extended to hybrid nanostructures containing magneto-ordered components in addition to ferroelectric materials [4–8]. Such a kind of structures, known as composite or artificial multiferroics, is of interest for various applications due to a strong coupling between electric and magnetic subsystems mediated by the elastic strain. In particular, the strain-mediated magneto-electric interaction is one of the most prospective principles of random-access memory that ensures ultra-low energy consumption of the devices [9–11]. This principle allows writing information in the magnetic subsystem as well as detecting the magnetic states by means of electric field pulses [12,13]. The design of the magnetoelectric memory (MELRAM) requires a detailed study of the strain-mediated interaction at the nanoscopic scale. In the present paper, we report the results of simulation for the strain distribution in the MELRAM nano-cell and of expected dynamic parameters of the device.

2. Magneto-electric interaction in the ferroelectric-magnetic nanostructure.

As a basic constituent of the cell we consider a ferroelectric nano-pillar ($200 \times 75 \times 500 \text{ nm}^3$) shaped on the crystal substrate PMN-PT $\langle 011 \rangle$ (see Figure 1a). The specific symmetry of the crystal provides a strongly anisotropic piezoelectric stress in the plane normal to the dielectric polarization and to the applied electric field. As a magnetic component, we propose an intermetallic multilayer with giant magnetostriction $N^*(\text{TbCo}_2/\text{FeCo})$ ($50 \times 50 \times 400 \text{ nm}^3$) deposited on the pillar. The anisotropy of the piezoelectric stress is a necessary condition for elastic coupling of ferroelectric and magnetic subsystems via magnetostriction [14]. The intermetallic multilayer acts also as the top electrode. On the other hand, the bottom electrode is located on the substrate around the pillar. The principle of MELRAM assumes the bistability of the magnetic subsystem and the switch of the magnetic moment from one stable state to

another is performed by an electric pulse tension applied to the electrodes. The bistability is created by uniaxial magnetic anisotropy induced in the multilayer during the deposition process and by the application of a static magnetic field of suitable value and orientation, as discussed below. Equilibrium orientations of magnetization in the film are shown on the inset in Figure 1a (see the arrows labeled “0” and “1”). At the nanoscopic scale the elastic and electrodynamic boundary conditions affect essentially the parameters of devices. The shape of the cell presented in Figure 1 is chosen to reduce as much as possible the inhomogeneity of the strain distribution induced in the magnetic subsystem by the piezoelectric stress. The numerically simulated strain distribution on the surfaces of the pillar and magnetic film is shown in Figure 1a by a color map. The slice presented in Figure 1b illustrates the correspondent strain distribution in the volume of the cell.

The strain is generated by application of the voltage $V_c = 0.2$ V between the electrodes. The calculation was made by means of the COMSOL Multiphysics software using the set of elastic, piezoelectric and electric parameters for PMN-PT <011> crystal given, for instance, in [15]. The Young modulus of the magnetic film was assumed equal to 126 GPa, its density was $9.6 \cdot 10^3$ kg/m³ and the Poisson's ratio was 0.345.

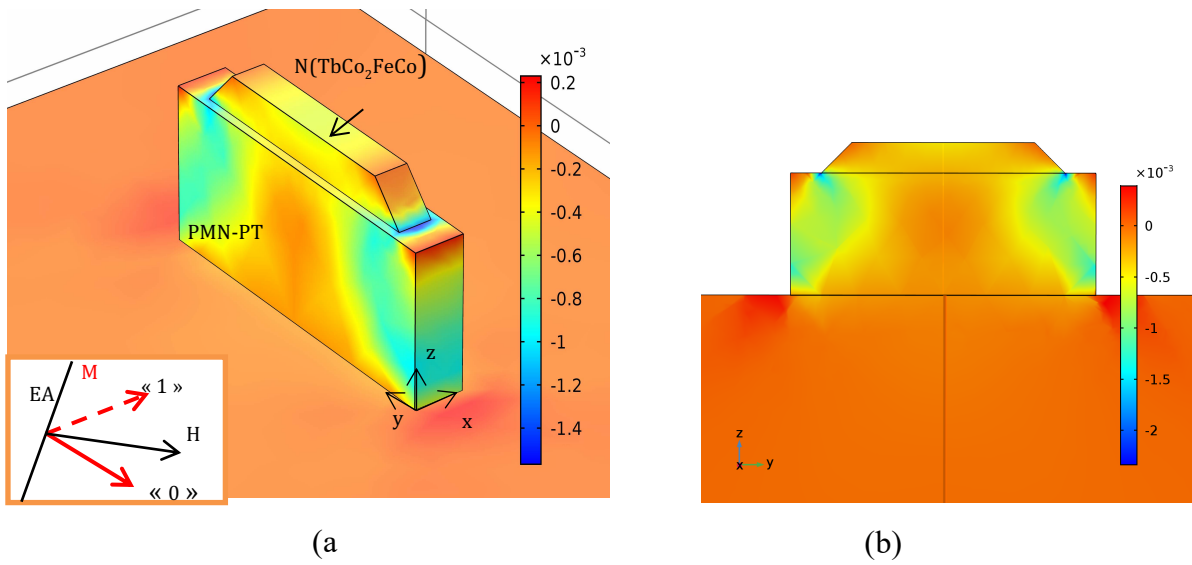


Figure 1. Strain distributions (a)- on the surface of the MELRAM cell, (b)-in the section $x=0$. The insert shows orientations of the easy axis (EA), magnetizing field H , and magnetic moment M in two stable states.

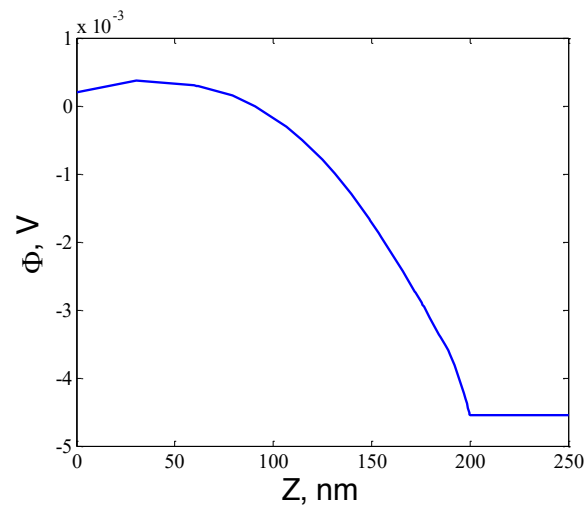


Figure 2. Electric potential induced by the magnetostrictive stress vs distance from the bottom of the ferroelectric pillar and the top of magnetic layer. A zero potential is assumed on the electrode surrounding the bottom of the pillar.

The value of anisotropic part of deformation averaged over the volume of the film was found as large as $\langle u_{xx}-u_{yy} \rangle = -3.26 \cdot 10^{-4}$. The magnetoelectric coupling factor of the cell defined as $\alpha_{ME} = \langle u_{xx}-u_{yy} \rangle / V_c$ appeared to be $\alpha_{ME} = -1.63 \cdot 10^{-3} \text{ 1/V}$. strain in the magnetic film is responsible for the control and the switching of the magnetic moment between stable states “0” and “1” via electric field. The polarity of the electric field defines the magnetic state after application of the electric pulse for writing information.

On the other hand, the magnetic moment switching generates an elastic stress in the ferroelectric pillar. The magnetically induced elastic stress is accompanied by the variation of ferroelectric polarization and by the generation of the electric pulse VMS between the electrodes. This mechanism is used for magnetoelectric readout of information [12]. The initial magnetic state is identified by the reaction of the ferroelectric subsystem on the readout electric pulse of a fixed polarity. The response tension VMS appears only if polarity of the readout pulse provides switching of magnetization from the initial state. Figure 2 shows the distribution of the electric potential generated in the pillar by the elastic stress $\sigma_{xx}-\sigma_{yy}$ homogeneously induced in the magnetic film when the magnetic moment switches from “0” to “1” or from “1” to “0”. The factor of transformation of magnetostrictive stress to electric voltage on the cell defined as $\beta_{MS} = V_{MS} / (\sigma_{xx} - \sigma_{yy})$ is found equal to $\beta_{MS} = -4.56 \cdot 10^{-4} \text{ V/MPa}$. Moreover, the calculated electric capacitance of the cell is equal to $C = 1.57 \text{ fF}$.

3. Dynamic model of the MELRAM cell

The magnetic energy density F_m of the magnetic subsystem consists of Zeeman energy related to the magnetic moment \mathbf{M} interacting with the magnetic field \mathbf{H} , the energy of the uniaxial magnetic anisotropy, and, finally, the demagnetizing energy

$$F_m = -\vec{M}\vec{H} - \frac{H_A}{2M} (\vec{M}\vec{n}) - \frac{1}{2} \vec{M}\vec{H}^m \quad (1)$$

were \mathbf{n} is the direction of the easy axis of magnetization, H_A and H^m are anisotropy and demagnetizing field, respectively.

The geometry of the magnetic subsystem is shown in Figure 3.

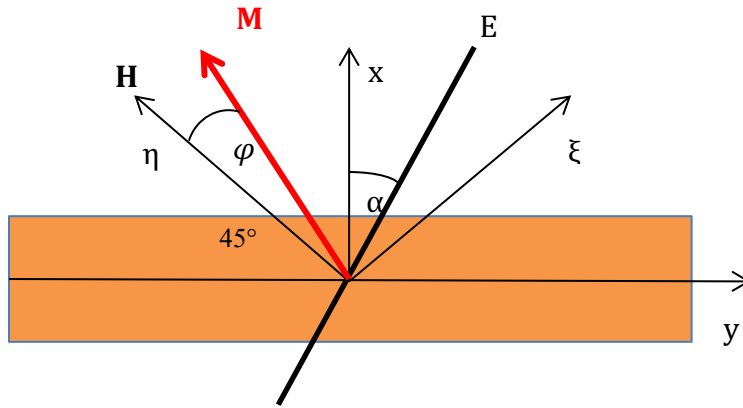


Figure 3. Geometry of the magnetic subsystem.

The energy of isotropic magnetoelastic interaction is given by:

$$F_{me} = \frac{B}{M^2} M_i M_j u_{ij} \quad (2)$$

where B is magnetostriction constant.

The electric field applied to the ferroelectric pillar parallel or antiparallel to the z -axis generates in the plane of the magnetic subsystem a deformation u_{xx} - u_{yy} , which seeks to impose the magnetization in directions parallel to the x -axis or antiparallel to the y -axis (states “1” or “0”). In order to provide the stable states with equal energy for these two orientations, the values and directions of magnetizing, demagnetizing and anisotropy fields should be suitably chosen. As it is shown in Figure 3, the magnetizing field should be directed at 45° with respect to the

ferroelectric crystalline axes. The angle α of the easy axis orientation depends on the ratio of demagnetizing and anisotropy fields. For the shape of magnetic structure presented in Figure 1, we assume a simplified model of a long magnetic bar with the following projections of the demagnetizing field: $H_x^m = -2\pi M_x$, $H_z^m = -2\pi M_z$, $H_y^m = 0$. In this case the easy axis orientation is determined by the ratio $\cos 2\alpha = H^m / H_A$, where $H^m = 2\pi M$.

The magnetic energy (1) has the following presentation in the coordinate system associated with magnetizing field \mathbf{H} :

$$F_m = -HM_\eta - \frac{H_A^{eff}}{4M} (M_\xi^2 - M_\eta^2) + \frac{\pi}{2} \left(1 + \frac{H_A}{H^m}\right) M_\xi^2 \quad (3)$$

where the effective anisotropy field is: $H_A^{eff} = H_A \sqrt{1 - (H^m / H^A)^2}$,

By considering the switch process of magnetic moment as a homogeneous rotation from one equilibrium position to another under piezoelectric stress, we substitute inhomogeneous deformation in Eq. (2) by its mean value averaged over the magnetic layer volume. Under this assumption, taking into account the definition of the magnetoelectric factor α_{ME} mentioned above, the magnetoelastic energy in Eq. (2) assumes the form

$$F_{me} = \frac{B}{M^2} \alpha_{ME} V_c(t) M_\xi M_\eta \quad (4)$$

For the description of the MELRAM dynamics we follow approach developed in [13]. The magnetization switch under electric tension is described by Landau-Lifshitz-Gilbert (LLG) equation:

$$\frac{\partial \vec{M}}{\partial t} = -\gamma \vec{T} + \frac{\delta}{M} \left[\vec{M} \times \frac{\partial \vec{M}}{\partial t} \right] \quad (5)$$

where γ is magneto-mechanical ratio, δ is relaxation parameter. The torque vector \mathbf{T} has the form

$$\vec{T} = - \left[\vec{M} \times \frac{\partial (F_m + F_{me})}{\partial \vec{M}} \right] \quad (6)$$

For a better description of the nonlinear dynamics it is convenient to transform the LLG equation to the angular representation thus using the notations $M_\xi = M \cos \theta \sin \varphi$, $M_\eta = M \cos \theta \cos \varphi$, $M_\zeta = M \sin \theta$, where φ and θ are in-plane and out-of-plane magnetization angles, respectively. The LLG equation in the angular representation corresponds to the system of equations

$$\begin{aligned} \frac{\partial \varphi}{\partial t} &= - \frac{\gamma}{M \Delta} \left[T_\xi \cos \theta + T_\zeta (\sin \theta \sin \varphi - \delta \cos \varphi) \right] \\ \frac{\partial \theta}{\partial t} &= - \frac{\gamma}{M \Delta} \left[T_\xi \delta \cos^2 \theta + T_\zeta (\cos \theta \cos \varphi + \delta \sin \theta \cos \theta \sin \varphi) \right] \end{aligned} \quad (7)$$

where

$$\Delta = \cos^2 \theta \cos \varphi (1 + \delta^2) \quad , \quad (8)$$

$$\begin{aligned} T_\xi / M &= \frac{1}{4} (H_A^{eff} - H_A - H^m) \sin 2\theta \cos \varphi - H \sin \theta + \frac{B}{2M} \alpha_{ME} V_c \sin 2\theta \sin \varphi \\ T_\zeta / M &= - \frac{1}{2} H_A^{eff} \cos^2 \theta \sin 2\varphi + H \cos \theta \sin \varphi + \frac{B}{M} \alpha_{ME} V_c \cos^2 \theta \cos 2\varphi \end{aligned} \quad (9)$$

Since the magnetoelastic layer is mechanically coupled to the ferroelectric crystal, the dynamic reorientation of the magnetization described by Eq. (7) induces variations of the electric polarization in the ferroelectric subsystem.

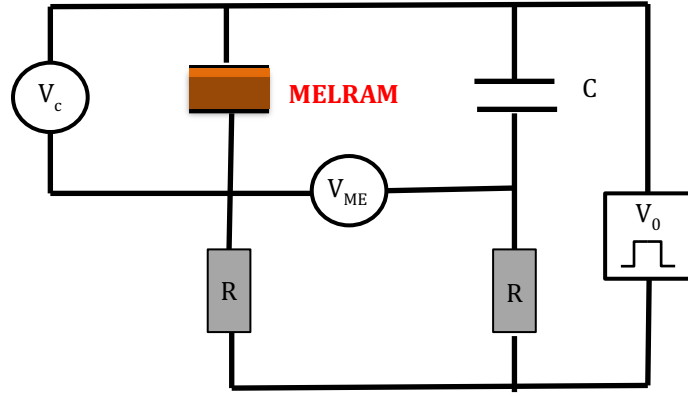


Figure 4. The electric scheme for magnetolectric readout in the MELRAM cell. The magnetic state is identified by the pulse signal V_{ME} arising after application of a readout pulse tension V_0 .

Indeed, magnetically induced polarization contributes to the electric current J flowing through the cell is

$$J = C \frac{\partial}{\partial t} (V_c - V_{MP}) \quad (10)$$

where the magnetic contribution is expressed through the magnetolectric tension :

$$V_{MS} = 2\beta_{MS} \frac{B}{M^2} M_\xi M_\eta = \beta_{MS} B \sin 2\varphi \quad (11)$$

Here we used definition of the factor β_{MP} introduced above.

For the description of both writing and reading processes of information, the LLG equation in the form of Eq. (7) should be completed by the electrodynamic equations for the electrical circuit in which the magnetolectric cell is embedded. Following [13], we consider the simplest circuit constituted by a Wheatstone bridge, as shown in Figure 4. In this case, the V_c voltage on the structure and the magnetolectric signal V_{ME} across the diagonal of the bridge are described by the equations

$$\begin{aligned}
RC \frac{\partial V_c}{\partial t} + V_c - RC \frac{\partial V_{MS}}{\partial t} &= V_0(t) \\
RC \frac{\partial V_{ME}}{\partial t} + V_{ME} - RC \frac{\partial V_{MS}}{\partial t} &= 0
\end{aligned}
\tag{12}$$

where R is the resistance of the bridge.

4. Results and discussion.

The results of the numerical solution of the system composed by Equations (7) and (12) are presented in Figure 5. The following parameters of the system were assumed in the calculations: $M=200 \text{ emu/cm}^3$, $H_A=1.3 \text{ kOe}$, $B=10 \text{ MPa}$, $RC=0.6 \text{ ns}$, $\delta=0.1$. Writing and reading operations, performed by electric field application, are demonstrated by means of an example of a sequence of applied electric pulses, as presented in Figure 5a using the dimensionless time scale γMt with $\gamma M=3.5 \cdot 10^9 \text{ s}^{-1}$.

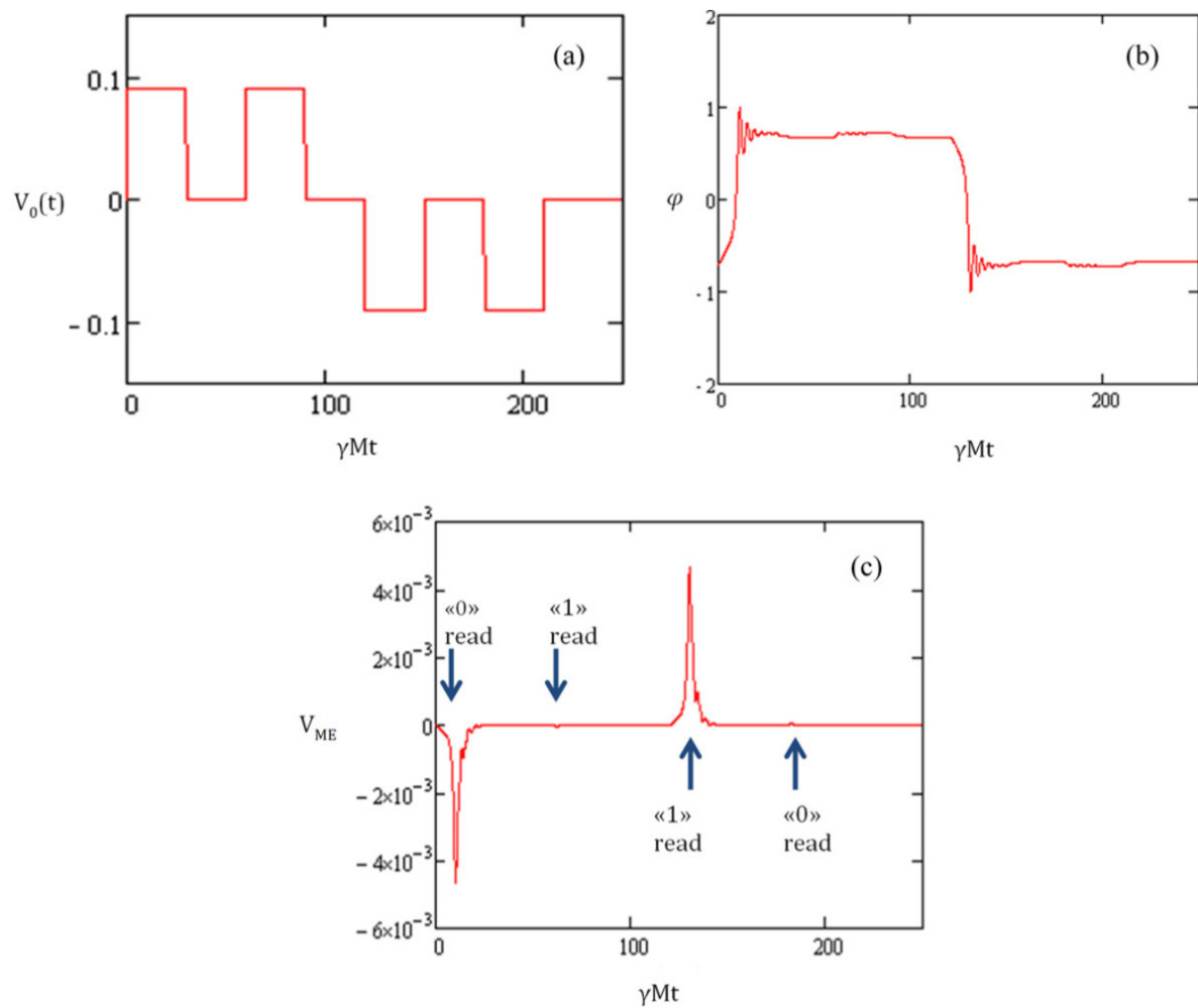


Figure 5. (a)-the sequence of electric pulses used for demonstration of the principle of magnetoelectric writing and readout in the MELRAM cell; (b)- switch of magnetization between equilibrium positions $\varphi = -\pi/4$ and $\varphi = \pi/4$; (c)- the magnetoelectrically induced readout pulses.

The magnetic moment rotation from orientation $\varphi = -\pi/4$ (state “0”) to orientation $\varphi=\pi/4$ (state “1”) under electric control is shown in Figure.5b. The positive writing pulse $V_0= 90$ mV generates a magnetization state “1”. Application of the second positive pulse does not change the written state. To write the state “0” the electric pulse of negative polarity should be applied. Calculated switching time was found equal to $t_s=1.1$ ns.

The written magnetic state can be identified by application of the readout electric pulse. For example, the first positive pulse of the sequence shown in the Figure.5a generates magnetic a moment switch accompanied by the signal $V_{ME}=4.7$ mV in the bridge diagonal (see Figure. 5c). The appearance of the signal indicates the initial state “0”. If necessary, this signal can be used also for triggering the inverse writing pulse for the restoration of the initial magnetic state. The absence of the signal V_{ME} after the second positive pulse indicates the initial state “1”. Thus, the appearance or the absence of the V_{ME} signal after application of the readout pulse of given polarity indicates the initialstate of the magnetic system. The calculated energy consumption for writing and reading operations was found equal to $E =13$ aJ/bit. This value is close to the previously calculated one, based on the model of the effective magnetoelectric medium [13] and is much lower than $E = 6$ fJ/bit, recently obtained experimentally in a MTJ-RAM of comparable size [16]. The stability of the equilibrium magnetic states “0” and “1” over time is ensured by the energetic barrier $E_b = (3 - 2\sqrt{2})vMH^{eff} / 4$, where v is the volume of the cell [11]. In the case under consideration, the long time stability of stored information at room temperature is defined by the parameter $E_b / k_B T = 73$.

In conclusion, we can affirm that in the downscaling process of the MELRAM device the mechanical and electrodynamic boundary conditions may significantly affect the dynamic parameters of the memory cells. Nevertheless the appropriate design of the cell allows achieving high speed and ultra-low energy consumption for the magnetoelectric writing and readout of information.

Acknowledgement

This work was supported by the RFBR grant 16-29-14022, and the PREMATURATION programs of the CNRS and I-Site ULNE (MELRAM project). The authors also wish to thank the French RENATECH network.

References

- [1] J. Hlinka, T. Ostapchuk, D. Nuzhnyy, J. Petzelt, P. Kuzel, C. Kadlec, P. Vanek, I. Ponomareva, and L. Bellaiche. Coexistence of the Phonon and Relaxation Soft Modes in the Terahertz Dielectric Response of Tetragonal BaTiO₃. *Phys. Rev. Lett.* 101, 167402 (2008).
- [2] J. Petzelt. Soft Mode Behavior in Cubic and Tetragonal BaTiO₃ Crystals and Ceramics: Review on the Results of Dielectric Spectroscopy. *Ferroelectrics* 375, 156-164 (2008).
- [3] J. Petzelt and S. Kambra. Far infrared and terahertz spectroscopy of ferroelectric soft modes in thin films: A review. *Ferroelectrics* 503, 19-44 (2016).
- [4] Nan, C.W., Bichurin, M.I., Dong, S., et al. Multiferroic magnetoelectric composites: historical perspective, status, and future directions. *Journal of Applied Physics*, 103 (3), 031101–031135 (2008).
- [5] N. Tiercelin, Preobrazhensky V., Moret V., Talbi A., Soltani A., Haenen K., Pernod P. Thin film magnetoelectric composites near spin reorientation transition. *J. Magn. Magn. Mater.*, 321, 11(2009)
- [6] Hu, J.M. and Nan, C.W. Electric-field-induced magnetic easy-axis reorientation in ferromagnetic/ferroelectric layered heterostructures. *Physical Review B*, 80 (22), 224416-1–224416-11(2009).
- [7] Hockel, J.L., Bur, A., Wu, T., et al. Electric field induced magnetization rotation in patterned niring/pb(mg^{1/3}nb^{2/3})o₃[(1-0.32)-[pbtio₃]_{0.32} heterostructures. *Applied Physics Letters*, 100 (2), 022401-1–022401-3(2012).
- [8] Wang, Z., Zhang, Y., Viswan, R., et al. Electrical and thermal control of magnetic

coercive field in ferromagnetic/ferroelectric heterostructures. *Physical Review B*, 89 (3), 035118-1–035118-5 (2014).

[9] Hu, J.M., Li, Z., Wang, J., et al. A simple bilayered magnetoelectric random access memory cell based on electric-field controllable domain structure. *Journal of Applied Physics*, 108(4), 043909-1–043909-6. (2010)

[10] N. Tiercelin, Y. Dusch, A. Klimov, S. Giordano, V. Preobrazhensky, and P. Pernod, Room temperature magnetoelectric memory cell using stress-mediated magnetoelastic switching in nanostructured multilayers *Appl. Phys. Lett.* 99, 192507 (2011).

[11] N. Tiercelin, Y. Dusch, S. Giordano, A. Klimov, V. Preobrazhensky, and P. Pernod. « Strain mediated magnetoelectric memory ». in *Nanomagnetic and Spintronic Devices for Energy Efficient Computing*, ed. S. Bandyopadhyay & J. Atulasimha, ISBN 978-1-118-86926-0 John Wiley & Sons, Ltd (2016) chapter 8, 221-257

[12] Klimov A., Tiercelin N., Dusch Y., Giordano S., Mathurin T., Pernod P., Preobrazhensky V., Churbanov A., Nikitov S. Magnetoelectric write and read operations in a stress-mediated multiferroic memory cell. *Appl. Phys. Lett.* 110, 22 (2017) 222401

[13] Preobrazhensky V., Klimov A., Tiercelin N., Dusch Y., Giordano S., Churbanov A., Mathurin T., Pernod P., Sigov A.. Dynamics of the stress-mediated magnetoelectric memory cell $N_{\text{a}}(\text{TbCo}_2/\text{FeCo})/\text{PMN-PT}$. *J. Magn. Mater.* (2018)

[14] Y. Dusch et al., Stress-mediated magnetoelectric memory effect with uni-axial $\text{TbCo}_2/\text{FeCo}$ multilayer on 011-cut PMN-PT ferroelectric relaxor, *J. Appl. Phys.* 113 (17), 17C719

[15] F. Wang, L. Luo, D. Zhou, X. Zhao, and H. Luo. Complete set of elastic, dielectric, and piezoelectric constants of orthorhombic $0.71\text{Pb}(\text{Mg}_{1/3}\text{Nb}_{2/3})\text{O}_3-0.29\text{PbTiO}_3$ single crystal. *Appl. Phys. Lett.* 90, 212903 (2007).

[16] C. Grezes, F. Ebrahimi, J. G. Alzate, X. Cai, J. A. Katine et al. Ultra-low switching energy and scaling in electric-field-controlled nanoscale magnetic tunnel junctions with high

resistance-area product. *Appl. Phys. Lett.* 108, 012403 (2016)

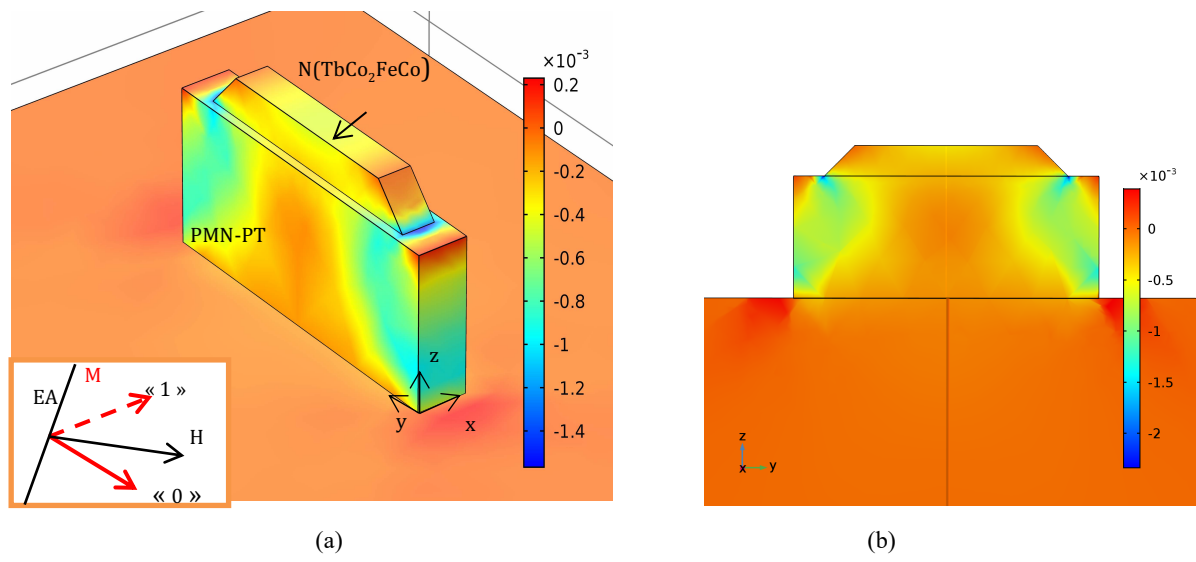


Fig. 1

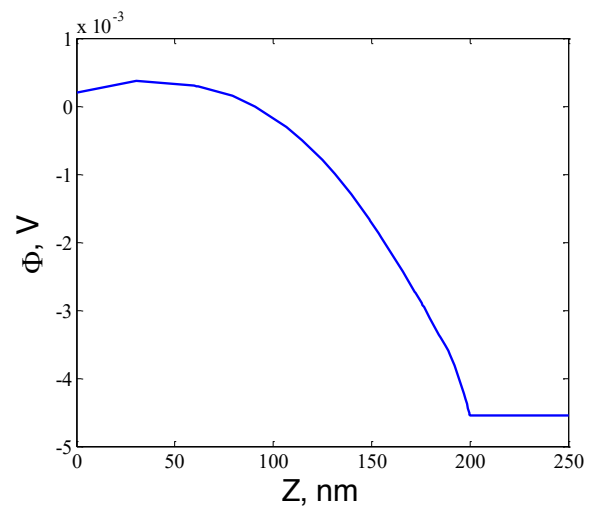


Fig. 2

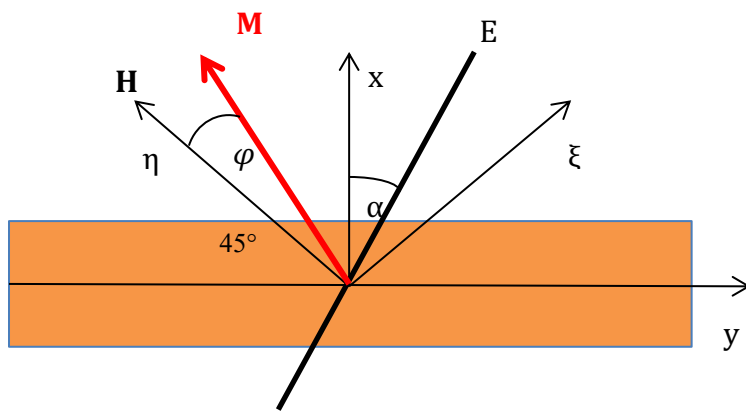


Fig. 3

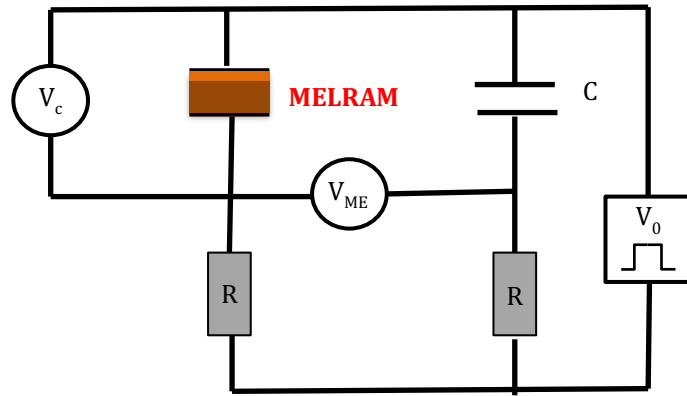


Fig. 4

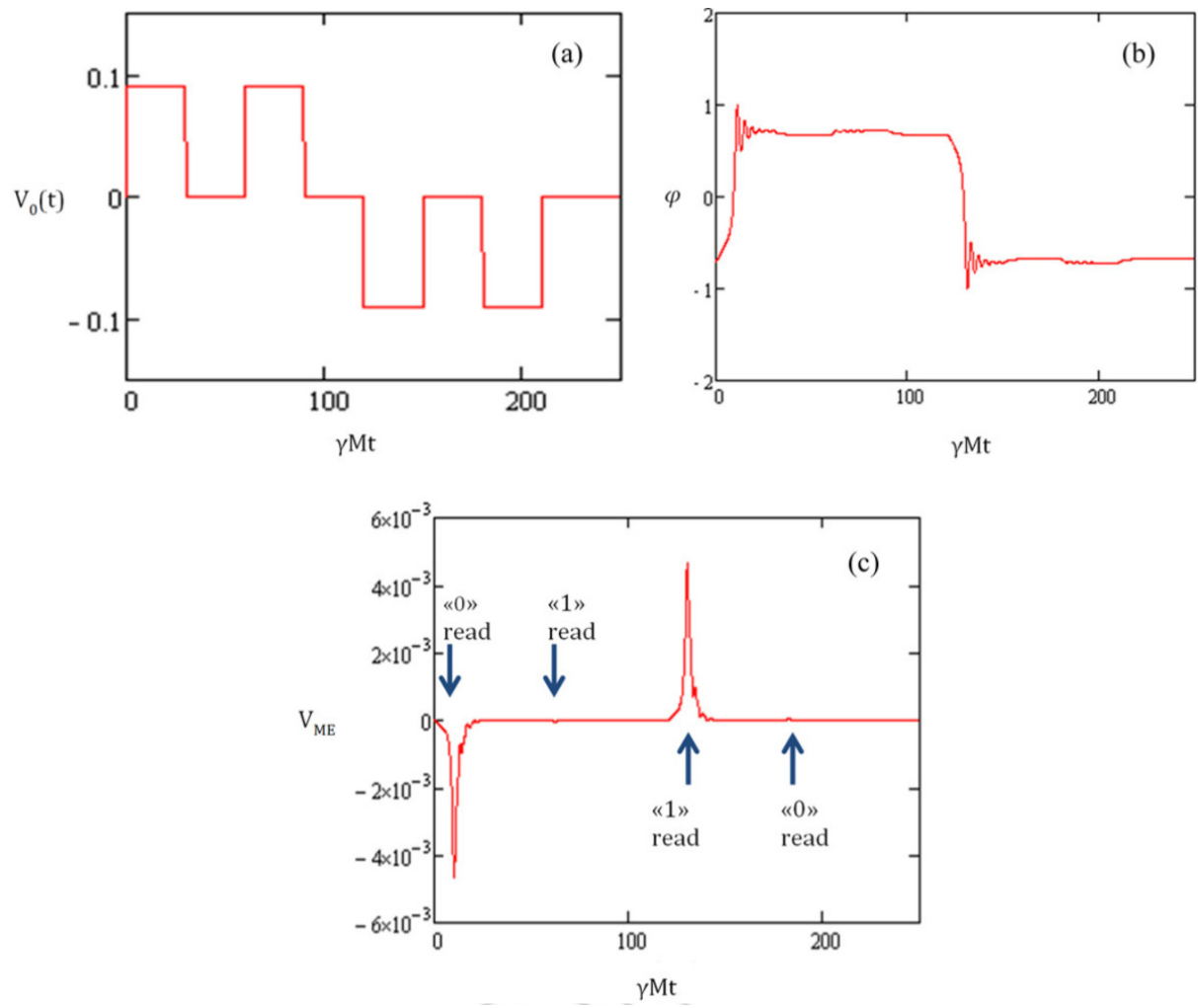


Fig. 5