



HAL
open science

Generic properties in some classes of automaton groups

Thibault Godin

► **To cite this version:**

Thibault Godin. Generic properties in some classes of automaton groups. 25th International Workshop on Cellular Automata and Discrete Complex Systems (AUTOMATA), Jun 2019, Guadalajara, Mexico. pp.91-103, 10.1007/978-3-030-20981-0_7. hal-02078031

HAL Id: hal-02078031

<https://hal.science/hal-02078031>

Submitted on 25 Mar 2019

HAL is a multi-disciplinary open access archive for the deposit and dissemination of scientific research documents, whether they are published or not. The documents may come from teaching and research institutions in France or abroad, or from public or private research centers.

L'archive ouverte pluridisciplinaire **HAL**, est destinée au dépôt et à la diffusion de documents scientifiques de niveau recherche, publiés ou non, émanant des établissements d'enseignement et de recherche français ou étrangers, des laboratoires publics ou privés.



Distributed under a Creative Commons Attribution 4.0 International License

Generic properties in some classes of automaton groups

Thibault Godin

IECL, UMR 7502 CNRS & Université de Lorraine
IMAG, UMR 5149 CNRS & Université de Montpellier
`thibault.godin@umontpellier.fr`

Abstract. We prove, for various important classes of Mealy automata, that almost all generated groups have an element of infinite order. In certain cases, it also implies other results such as exponential growth.

1 Introduction

The class of groups generated by Mealy automata presents a considerable variety of behaviours and has been widely used since the eighties as a powerful source of interesting groups [14,15,24,5]. It seems natural to try to produce new examples of groups to be studied by picking a random Mealy automaton and considering the group it generates, or to try to get an interesting distribution over some class of groups starting from a distribution over some class of Mealy automata [12]. This approach also raises a natural question: "*how does a typical automaton group look like?*". In this paper, we tackle this problem and give partial answers for several important and well-studied classes, by proving that automata belonging to the class of reversible, reset, or polynomial activity automata generate with great probability a group having at least one element of infinite order. In particular, it means that these groups are generically infinite and not Burnside.

Another motivation for this paper is that the **ORDER PROBLEM**—how to decide whether an element generates an infinite group—was recently proven undecidable among automaton groups [11,4], while the **FINITENESS PROBLEM**—how to decide whether the whole group is infinite—is known to be undecidable for automaton semigroups but remains open for automata groups [10,7]. On the other hand, some classes of automaton (semi)groups are known to have decidable **ORDER PROBLEM** [6,3]. Our results provide statistical answers for these problems.

Depending on the class, we also get stronger or additional statements, among others, the groups generated by reversible or reset Mealy automata have generically exponential growth.

The proposed proofs vary strongly with the considered class and rely on the structural properties of the automata. In particular, the case of general invertible Mealy automata remains open.

In order to simplify the statements, we will use the informal "let \mathcal{A} be a random automaton in \mathcal{C} " instead of the formal "let \mathcal{A} be a random variable

uniformly distributed over the set \mathcal{C}^n . All probabilistic statements should be understood accordingly.

2 Automaton groups

We recall that the *order* of an element g of a group G is the least (strictly positive) integer α such that $g^\alpha = \mathbb{1}$. If such an integer does not exist, we say that g has infinite order. Equivalently, the order of g is the cardinal of the subgroup it generates, hence having an element of infinite order implies the infiniteness of the whole group.

If X is a finite set then X^k denotes the set of words of length k , and X^* (*resp.* X^+) the set of words of arbitrary (*resp.* positive) length. We take as a convention that elements of X^ℓ , $\ell > 1$ are represented with a bold font.

2.1 Mealy automata and automaton (semi)groups

A *Mealy automaton* is a 4-tuple $\mathcal{A} = (Q, \Sigma, \delta, \rho)$ where Q and Σ are finite sets, called the *stateset* and the *alphabet*, $\delta = \{\delta_x : Q \rightarrow Q\}_{x \in \Sigma}$ is a set of functions called *transition functions*, and $\rho = \{\rho_q : \Sigma \rightarrow \Sigma\}_{q \in Q}$ is a set of functions called *production functions*. Examples of such automata are presented on Figure 1, and we refer the reader to [16] for a more complete introduction.

The map ρ_q extends to a length-preserving map on words $\rho_q : \Sigma^* \rightarrow \Sigma^*$ by the

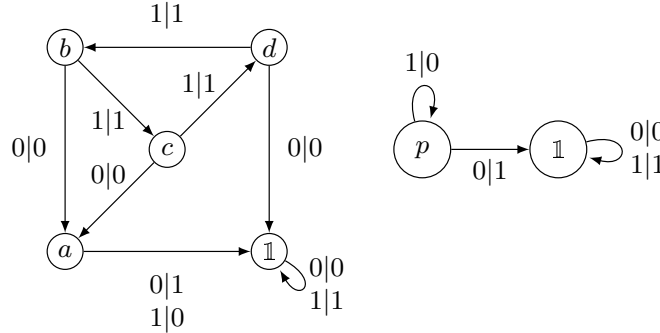


Fig. 1. The automaton generating the Grigorchuk group (left) and the adding machine, generating \mathbb{Z} (right). Both have bounded activity, and p has infinite order.

recursive definition:

$$\forall i \in \Sigma, \forall \mathbf{s} \in \Sigma^*, \quad \rho_q(i\mathbf{s}) = \rho_q(i)\rho_{\delta_i(q)}(\mathbf{s}).$$

We can also extend the set of maps ρ to words of states $\mathbf{u} \in Q^*$ by composing the production functions associated with the letters of \mathbf{u} :

$$\forall q \in Q, \forall \mathbf{u} \in Q^*, \quad \rho_{q\mathbf{u}} = \rho_{\mathbf{u}} \circ \rho_q.$$

Likewise, we extend the functions δ to words of state and words via

$$\forall i \in \Sigma, \forall \mathbf{s} \in \Sigma^*, \forall q \in Q, \forall \mathbf{u} \in Q^*, \quad \delta_i(q\mathbf{u}) = \delta_i(q)\delta_{\rho_q(i)}(\mathbf{u}) \text{ and } \delta_{i\mathbf{s}} = \delta_i \circ \delta_{\mathbf{s}}.$$

For each automaton transition $q \xrightarrow{x|\rho_q(x)} \delta_x(q)$, we associate the *cross-transition* depicted in the following way:

$$q \begin{array}{c} x \\ \downarrow \\ \rho_q(x) \end{array} \delta_x(q)$$

The production functions $\rho_q : \Sigma^* \rightarrow \Sigma^*$ of an automaton \mathcal{A} generate a semigroup $\langle \mathcal{A} \rangle_+ = \{\rho_{\mathbf{u}} : \Sigma^* \rightarrow \Sigma^* \mid \mathbf{u} \in Q^+\}$.

A Mealy automaton is *invertible* when the functions ρ are permutations of Σ . When a Mealy automaton is invertible one can define its *inverse* \mathcal{A}^{-1} by

$$p \xrightarrow{x|y} q \in \mathcal{A} \Leftrightarrow p^{-1} \xrightarrow{y|x} q^{-1} \in \mathcal{A}^{-1}.$$

Whenever a Mealy automaton is invertible we can consider the *group* $\langle \mathcal{A} \rangle$ it generates:

$$\langle \mathcal{A} \rangle = \langle \rho_q \mid q \in Q \rangle = \{ \rho_{\mathbf{u}}^{\pm 1} \mid \mathbf{u} \in Q^* \}.$$

A group (*resp.* a semigroup) is an *automaton group* (*resp.* *semigroup*) if it can be generated by some Mealy automaton.

Given a Mealy automaton $\mathcal{A} = (Q, \Sigma, \delta, \rho)$, its *dual* is the Mealy automaton $\mathfrak{d}\mathcal{A} = (\Sigma, Q, \rho, \delta)$ where the roles of the stateset and of the alphabet are exchanged. Its ℓ -th power is the automaton $(Q^\ell, \Sigma, \delta, \rho)$ where the production and transition functions have been naturally extended. We define also the automaton ${}^\ell\mathcal{A} = (Q, \Sigma^\ell, \delta, \rho) = \mathfrak{d}(\mathfrak{d}\mathcal{A})^\ell$ acting on sequences of ℓ letters and remark that this operation does not change the generated semigroup, *i.e.* $\langle {}^\ell\mathcal{A} \rangle_+ = \langle \mathcal{A} \rangle_+$.

From an algebraic point of view, it is convenient to describe the elements of an automaton group via the so-called wreath recursions. For any g in an automaton group $\langle \mathcal{A} \rangle$ on alphabet Σ and any word $\mathbf{s} \in \Sigma^*$, let $g \cdot \mathbf{s}$ denotes the image of \mathbf{s} by g , and $g|_{\mathbf{s}}$ the unique $h \in \langle \mathcal{A} \rangle$ satisfying $g \cdot (\mathbf{s}\mathbf{t}) = (g \cdot \mathbf{s})h \cdot \mathbf{t}$ for all $\mathbf{t} \in \Sigma^*$. The *wreath recursion* of g is:

$$g = (g|_{x_1}, \dots, g|_{x_{|\Sigma|}})\sigma_g,$$

where $\sigma_g \in S_{|\Sigma|}$ denotes the permutation on Σ induces by g .

In what follows, \mathcal{A} will denote, if not explicited, an invertible Mealy automaton $(Q, \Sigma, \delta, \rho)$.

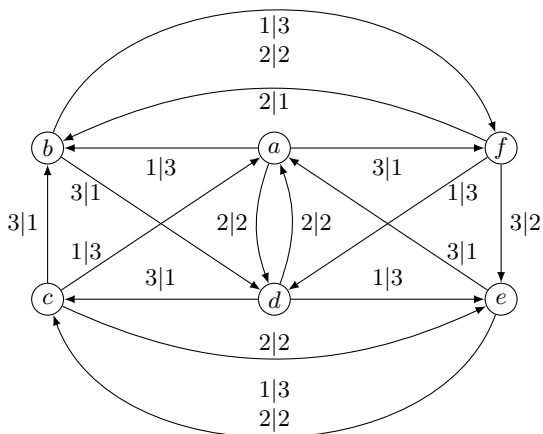


Fig. 2. A 3-letter 6-state invertible reversible non-bireversible Mealy automaton.

2.2 Classes of Mealy automata

We now describe several important classes of (invertible) Mealy automata.

An automaton $\mathcal{A} = (Q, \Sigma, \delta, \rho)$ is called *reversible* when the functions δ are permutations of Q . If an automaton is invertible then its dual is reversible. A Mealy automaton is *bireversible* if it is invertible and reversible, and so is its inverse.

Another, somewhat opposite, restriction on the transition function leads to the class of *reset* automata, studied *e.g.* in [22,7]. An automaton \mathcal{A} is called *reset* if there exists a function $\phi : \Sigma \rightarrow Q$ such that $\forall x, \forall q, \delta_x(q) = \phi(x)$. In other words, all the arrows labelled by an input letter x lead to the same state $\phi(x)$. Up to renaming the states and pruning the automaton of its vertices without ingoing edges (which does not change the finiteness of the generated group nor the existence of element of infinite order), we may assume that all studied reset automata are *unfolded*, *i.e.* that $Q = \Sigma$ and $\phi = \mathbb{1}$.

Another class of Mealy automata linked to the cycle structure is defined in [21], via the *activity*. Assume that there is a unique state inducing the identity in the group, denoted $\mathbb{1}$. The activity of an automorphism $t \in \langle \mathcal{A} \rangle$ is defined as the function

$$\alpha_t : \ell \mapsto |\{x \in \Sigma^\ell, t|_x \neq \mathbb{1}\}|.$$

It is known that the activity α_t is polynomial if and only if there is not two non-trivial simple cycles accessible one from another in the automaton \mathcal{A} , and that in this case the degree of the polynomial is the maximal number of nontrivial cycles that can be reached along of a simple cycle minus one. For a fixed alphabet Σ , we denote Pol (*resp.* $\text{Pol}(d)$) the set of all Mealy automata with polynomial activity

(resp. with activity bounded by a polynomial of degree d), and in particular we call *bounded* (resp. *finitary*) the set $\text{Pol}(0)$ (resp. $\text{Pol}(-1) = \{t, \alpha_t(\ell) \rightarrow 0\}$). Notice that every finitary automaton generates a finite group [20].

In [6] is defined a tool to understand the orbits of elements of Σ^* under the action of an automorphism described by a Mealy automaton. Given $\mathcal{A} = (Q, \Sigma, \delta, \rho), t \in \langle \mathcal{A} \rangle$ and $\mathbf{x} \in \Sigma^*$ define $\text{Orb}_t(\mathbf{x}) = \min_{\alpha > 0} \{t^\alpha \cdot \mathbf{x} = \mathbf{x}\}$ the size of the orbit of \mathbf{x} under the action of t . The *Orbit Signalizer* is the graph Γ_t whose vertices are the $t^{\text{Orb}_t(\mathbf{x})}|_{\mathbf{x}}, \mathbf{x} \in \Sigma^*$ and edges from $t^{\text{Orb}_t(\mathbf{x})}|_{\mathbf{x}}$ to $t^{\text{Orb}_t(\mathbf{x}y)}|_{\mathbf{x}y}, \mathbf{x} \in \Sigma^*, y \in \Sigma$ with label $\text{Orb}_{t^{\text{Orb}_t(\mathbf{x})}|_{\mathbf{x}}}(y)$.

The Orbit signalizer is used in [6,3] to solve the **ORDER PROBLEM**. Indeed the order of t is the lowest common multiple of all labels along paths starting from vertex t in Γ_t . In particular if the orbit signalizer is finite then the **ORDER PROBLEM** is decidable for t , as it reduces to checking if cycles have labels all 1.

3 Reversible Mealy automata

We show that groups generated by (invertible) reversible Mealy automata have an element of infinite order with high probability. In fact we are going to prove a stronger result by showing that almost all invertible reversible automata are not bireversible, then using known results from [13], we obtain that the generated semigroups are almost surely torsion-free.

Since a Mealy automaton is completely defined by its transition and production functions, an invertible reversible Mealy automaton can be understood as $|Q|$ permutations in $S_{|\Sigma|}$ and $|\Sigma|$ permutations in $S_{|Q|}$, thus the uniform distribution on the set of invertible reversible Mealy automata with stateset Q and alphabet Σ is the uniform distribution on $S_{|Q|}^{|\Sigma|} \times S_{|\Sigma|}^{|Q|}$.

An invertible reversible automaton is bireversible if and only if each output letter induces a permutation of the stateset. In particular, for bireversible automata, we have that :

$$\forall (p, i), (q, j) \in Q \times \Sigma, (p, i) \neq (q, j), \delta_i(p) = \delta_j(q) \Rightarrow \rho_p(i) \neq \rho_q(j).$$

Define, for $r \in Q$, the set $\mathcal{O}_r = \left\{ j \in \Sigma, \exists (p, i) \in Q \times \Sigma, p \xrightarrow{i,j} r \in \mathcal{A} \right\}$ of output letters that lead to r . An invertible reversible automaton is bireversible if and only if, for all states r , the set \mathcal{O}_r is the whole alphabet.

Example 3.1. Consider the automaton Fig. 2. We have $\mathcal{O}_a = \{1, 2, 3\} = \mathcal{O}_c$ but $\mathcal{O}_b = \{1, 3\}$, hence the automaton is not bireversible.

Proposition 3.2. *The probability that a random invertible reversible automaton with k letters and n states is bireversible is less than*

$$\frac{1}{n^{k-1}} + \frac{1}{k}$$

Proof. Let $\mathcal{A} = (Q, \Sigma, \delta, \rho)$. For $r \in Q$, we denote $\text{pred}_r = |\{p \in Q \mid \exists i \in \Sigma, \delta_i(p) = r\}|$ the size of the set of predecessor of r . Let us fix a state r . We have:

$$\begin{aligned} \Pr(\mathcal{A} \in \text{BIR}) &= \Pr(\forall q \in Q, \mathcal{O}_q = \Sigma) \\ &\leq \Pr(\mathcal{O}_r = \Sigma). \end{aligned}$$

From the law of total probability we get:

$$\begin{aligned} \Pr(\mathcal{A} \in \text{BIR}) &\leq \Pr(\mathcal{O}_r = \Sigma \mid \text{pred}_r = 1) \Pr(\text{pred}_r = 1) \\ &\quad + \Pr(\mathcal{O}_r = \Sigma \mid \text{pred}_r \geq 2) \Pr(\text{pred}_r \geq 2) \\ &\leq \Pr(\text{pred}_r = 1) + \Pr(\mathcal{O}_r = \Sigma \mid \text{pred}_r \geq 2) \end{aligned}$$

The probability that r has exactly one predecessor can be seen as fixing $\delta_i^{-1}(r)$ for some reference letter $i \in \Sigma$ and requiring that the $k - 1$ other $\delta_j^{-1}(r)$, $j \in \Sigma \setminus \{i\}$ are equal to $\delta_i^{-1}(r)$, hence:

$$\Pr(\mathcal{A} \in \text{BIR}) \leq \frac{1}{n^{k-1}} + \Pr(\mathcal{O}_r = \Sigma \mid \text{pred}_r \geq 2)$$

For the second term, let us consider a predecessor p of r and let λ be the number of input letters leading from p to r . We have $1 \leq \lambda \leq k - 1$. To enforce bireversibility, we have to avoid that p outputs a letter that is already leading to r ($\rho_p(i) \neq \rho_q(j)$ for $\delta_p(i) = \delta_q(j) = r$). Assume that the set $\mathcal{O}_r^{(p)} = \left\{ j \in \Sigma \mid \exists q \neq p \in Q, q \xrightarrow{ij} r \in \mathcal{A} \right\}$ of output letters leading to r from a state q different from p is of maximal size $k - \lambda$. Since ρ_p is random and independent from the others ρ_q we can bound this probability from above: having the letters leading from p to r produce the λ out of k required letters is $\binom{k}{\lambda}^{-1}$. Hence:

$$\begin{aligned} \Pr(\mathcal{A} \in \text{BIR}) &\leq \frac{1}{n^{k-1}} + \binom{k}{\lambda}^{-1} \\ &\leq \frac{1}{n^{k-1}} + \frac{1}{k}. \end{aligned}$$

□

The obtained bound goes to 0 as k goes to infinity, and the same reasoning applied to the dual automaton allows us to conclude that the proportion of bireversible automata among the invertible reversible automata goes to 0 as the number of letters or states grows.

It is proven in [13] that an invertible reversible Mealy automaton without bireversible component generates a torsion-free semigroup. Whence our theorem:

Theorem 3.3. *The probability that an invertible reversible Mealy automaton taken uniformly at random generates a torsion-free semigroup goes to 1 as the size of the alphabet grows. Moreover, the probability for the group to have an element of infinite order also goes to 1 as the stateset or the alphabet grows.*

Proof. It is known that, with great probability, two random permutations on a large set generate a transitive group [8], in terms of a graph, it means that a typical reversible Mealy automaton on a large alphabet is (strongly) connected, and is not bireversible by Proposition 3.2 whence the first part of the result. The second part comes from the remark on the dual. \square

From [9], where it is shown that having an element of infinite order implies exponential growth among groups generated by invertible reversible automata, we obtain:

Theorem 3.4. *The probability that an invertible reversible Mealy automaton taken uniformly at random generates a group with exponential growth goes to 1 as the size of the stateset or of the alphabet grows.*

Remark 3.5. Notice that Theorem 3.3 is not *a priori* a consequence of Theorem 3.4: there exists infinite Burnside group with exponential growth ([1]). However, no example of such a group is known within the class of automaton groups.

It is worthwhile noting that it is unknown whether the **ORDER PROBLEM** is decidable within the class of (semi)groups generated by reversible Mealy automata.

4 Reset Mealy automata

The class of reset automata is of particular interest since it is linked to *one-way cellular automata*, and were used by Gillibert to prove the undecidability of the **ORDER PROBLEM** for automata semigroups [10]. For groups generated by (invertible) reset Mealy automata the **ORDER PROBLEM** remains open [7].

As the transition function is trivial in a (unfolded) reset Mealy automaton, the uniform distribution on the set of unfolded invertible reset Mealy automata with stateset Q and alphabet Σ is the uniform distribution on $S_{|\Sigma|}^{|Q|}$.

We are going to use a result from [19]: let $\mathcal{A} = (Q, \delta, \rho)$ be a (unfolded) reset automaton and define the transformation $\pi_{\mathcal{A}} : q \mapsto \rho_q^{-1}(q)$ for all $q \in Q$.

Theorem 4.1 ([19, Theorem 1.20]). *Let \mathcal{A} be a reset automaton. If $\pi_{\mathcal{A}}$ is not a permutation then the group generated by \mathcal{A} has an element of infinite order.*

We give the proof for the sake of completeness.

Proof. If $\pi_{\mathcal{A}}$ is not a permutation, then there exists x_0 which does not belong to any cycle of $\pi_{\mathcal{A}}$ and such that $\pi_{\mathcal{A}}(x_0) = x_1$ belongs to a cycle $x_1 \rightarrow \dots \rightarrow x_\ell \rightarrow x_1$ of $\pi_{\mathcal{A}}$. Computing the orbit of $x_0(x_1 \cdots x_\ell)^\alpha$ under the action of any

given state $q \in Q$ gives:

$$\begin{array}{cccccccc}
 & x_0 & x_1 & x_2 & \cdots & x_\ell & x_1 & \cdots \\
 q & \downarrow & \downarrow & \downarrow & & \downarrow & \downarrow & \\
 & x_0 & x_1 & x_2 & \cdots & x_{\ell-1} & x_\ell & x_1 \\
 & \downarrow & \downarrow & \downarrow & & \downarrow & \downarrow & \\
 q & \downarrow & \downarrow & \downarrow & & \downarrow & \downarrow & \\
 & y_1 & x_0 & x_1 & \cdots & x_{\ell-1} & x_\ell & \\
 & \downarrow & \downarrow & \downarrow & & \downarrow & \downarrow & \\
 & y'_1 & y'_2 & x_0 & \cdots & x_{\ell-2} & x_{\ell-1} & x_\ell \\
 & \vdots & \vdots & \vdots & & \vdots & \vdots & \vdots
 \end{array}$$

Since $x_1 = \rho_{x_0}^{-1}(x_0) = \rho_{x_\ell}^{-1}(x_\ell)$. So $q^{\alpha i} \cdot x_0(x_1 \cdots x_\ell)^\alpha = \mathbf{u}x_0(x_1 \cdots x_\ell)^{(\alpha-i)}$, for some $\mathbf{u} \in Q^{i\alpha}$, hence q has infinite order. \square

Theorem 4.2. *The probability that a random (unfolded) reset automaton on k letters has an element of infinite order is at least $1 - e\sqrt{k}e^{-k}$.*

Proof. Since the ρ_q , $q \in \Sigma$ are random permutations, the function $q \mapsto \rho_q^{-1}(q)$ can be considered as a random mapping from Σ to Σ , and the number of permutations among mappings is $\frac{k!}{k^k}$. We conclude using Stirling's approximation and known bounds. \square

Using [18], where Olukoya proves that groups generated by reset automata are either finite or have exponential growth, we get (see also Remark 3.5):

Theorem 4.3. *The probability that a random (unfolded) reset automaton on k letters has exponential growth is at least $1 - e\sqrt{k}e^{-k}$.*

From Delacourt and Ollinger [7, Proposition 1], our result also means that permutative one way cellular automata are generically aperiodic.

Remark 4.4. An unfolded reset automaton is minimal ([2]) if and only if each state induces a different permutation on letters. By the birthday problem, we can extend our result a bit: a random minimal unfolded reset automaton generically generates a group with exponential growth and elements of infinite order.

5 Mealy automata with polynomial activity

The class of Mealy automata with polynomial activity is interesting as the **ORDER PROBLEM** is decidable for (semi)groups generated by automata with bounded activity but remains open for the higher levels of the hierarchy [6].

Recall that $\mathbb{1}$ denotes the identity state in the automaton, which is supposed to be unique. We are going to define a *normal form*: let $\mathcal{A} = (Q, \Sigma, \delta, \rho)$ be an automaton with polynomial activity and let ℓ be the lowest common multiple of the sizes of the (simple) cycles. Since an automaton with polynomial growth has no entangled cycles, we have that ${}^\ell\mathcal{A}$ has all cycles of length one. Now put d the maximal length of an (oriented) path between a state and a self-loop in ${}^\ell\mathcal{A}$.

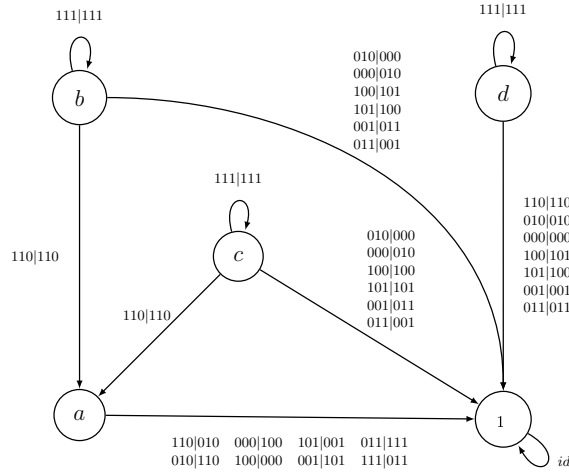


Fig. 3. The normal form ${}^3\mathcal{G}$ of the (invertible) automaton \mathcal{G} of bounded activity generating the Grigorchuk group. A simple path contains at most one nontrivial loop.

Then the normal form of the automaton \mathcal{A} is the automaton ${}^{d\ell}\mathcal{A}$ and it looks as follows: it is a directed acyclic graph whose leaf induces the identity $\mathbb{1}$, and where each state either has a self-loop or leads to a state with a self-loop. For instance the normal form ${}^3\mathcal{G}$ of the (invertible) Grigorchuk automaton \mathcal{G} (which has bounded activity) Fig. 1 (left) is depicted Fig. 3

To the best of our knowledge, and even among automata under normal form, there is no easy description of the uniform distribution on the set of (invertible) Mealy automata with polynomial activity, even if one fixes the degree of the activity. To bypass this difficulty, we show that automata with finitary activity are rare even among automata with bounded activity, and use the fact that once the transition functions are fixed, the choice of production functions does not change the activity.

The next proposition is a simple yet useful observation:

Proposition 5.1. *Let $\mathcal{A} = (Q, \Sigma, \delta, \rho)$ be a Mealy automaton with bounded activity under normal form. If there is some $t \in Q$ with $\delta_i(t) = t$ and $\rho_t(i) \neq i$, then ρ_t has infinite order.*

Proof. Up to renaming, we can assume that $i = 1$ and $\rho_t(1) = 2$. We use the orbit signalizer of t to prove that ρ_t has infinite order (see Fig. 4): put $\alpha_j = |\text{Orb}_t(1^j)|$. Since the activity is bounded, the set $\left\{ t^{|\text{Orb}_t(1^j)|} \Big|_{1^j} \right\}_j$ is finite, so there is a self-loop $t^{\alpha_i} \Big|_{1^i} = t^{\alpha_i+j} \Big|_{1^{i+j}}$. By putting $t^{\alpha_i} \Big|_{1^i} = ts_\alpha$ we get that $(ts_i)^\beta \Big|_{1^j} = ts_i$ for some integer $\beta = |\text{Orb}_{ts_i}(1^j)|$. Suppose that the size of the orbit is 1. We obtain:

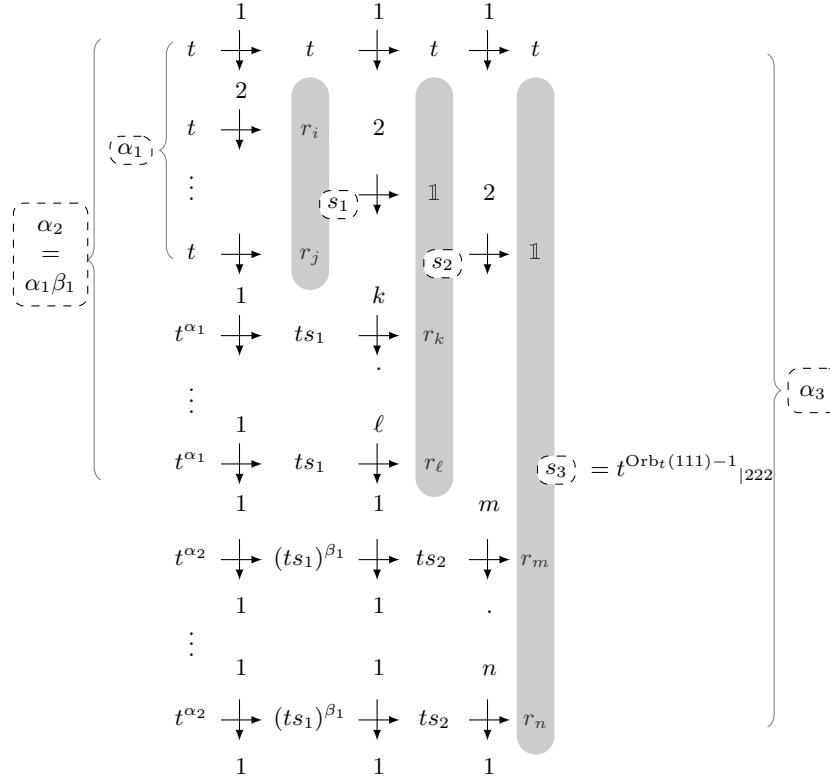
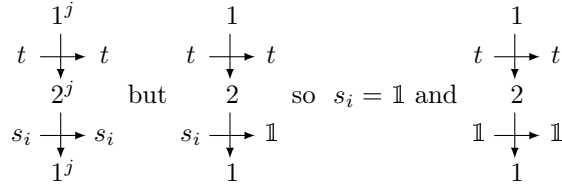


Fig. 4. Computation of the orbit of 1^j under the action of t in a bounded automaton.



Hence $2 = 1$, contradiction. The size of the orbit of ρ_t increases strictly through the cycle 1^β , whence the order of ρ_t —the lowest common multiple of the paths in the orbit signalizer of t ([6])—is infinite. \square

From this result, we get:

Theorem 5.2. *The probability that the group generated by an automaton with polynomial activity has an element of infinite order goes to 1 as the size of the alphabet goes to infinity.*

Proof. We first prove that groups generated by automata with polynomial non finitary activity generically have an element of infinite order: let $\mathcal{A} = (Q, \Sigma, \delta, \rho)$

be an automaton in $\text{Pol}(d) \setminus \text{Pol}(-1)$ and let t be a state with bounded activity on a nontrivial cycle. Since the activity does not depend on the choice of the production functions (except for the trivial state), we can consider the set $\mathcal{C}_{\mathcal{A}}$ of automata in $\text{Pol}(d) \setminus \text{Pol}(-1)$ with same transition functions and trivial state. Among $\mathcal{C}_{\mathcal{A}}$, we have $\rho_t(i) \neq i$ with probability $1 - 1/k$, so, in the normal form, t is on a cycle labelled by $i\mathbf{x} \in \Sigma^\ell$ with $\rho_t(i\mathbf{x}) \neq i\mathbf{x}$. We can apply Proposition 5.1. Now we show that the set $\text{Pol}(-1)$ has measure 0 in the set $\text{Pol}(d)$, $d \geq 0$. If an automaton \mathcal{A} has polynomial activity, then there is at least one state t satisfying $\delta_i(t) = \mathbb{1}$ for all i . Given $\mathcal{A} \in \text{Pol}(-1)$, we can build k automata \mathcal{A}_i with bounded but not finitary activity by changing for exactly one letter $\delta_i(t) = \mathbb{1}$ to $\delta_i(t) = t$. If we consistently chose t to be, *e.g.*, the minimal among acceptable states, we can uniquely reconstruct \mathcal{A} from these \mathcal{A}_i , whence the result.

We conclude using the law of total probability: the probability that an automaton in $\text{Pol}(d)$ has an element of infinite order is equal to the probability that it has an element of infinite order given it belongs to $\text{Pol}(d) \setminus \text{Pol}(-1)$ times the probability of the later ; we showed that both goes to one, the result follows. \square

From the proof we extract the following:

Proposition 5.3. *The probability that the group generated by a automaton in $\text{Pol}(0)$ on an alphabet of size k has an element of infinite order is at least $\frac{k-1}{k+1}$.*

6 Conclusion and future work

In this work, we proved, for various important classes of Mealy automata, that the generated groups have generically an element of infinite order, thus are infinite. It is natural to wonder whether other properties, such as non-amenability, are generic and to extend these results to the full class of automaton group.

One interesting direction is to determine if generating a free or an infinitely presented group is generic in a class. These properties are mutually exclusive. Automata with polynomial activity cannot generate free groups [17], while reversible ones can [23] ; infinitely presented groups can be found in both classes. It would be striking to find two classes and a group property which is nontrivial in both classes yet generically true in one and generically false in the other.

Acknowledgements: The author thanks Ville Salo who initiated this work and for interesting discussions, and Matthieu Picantin and Jérémie Briesssel for their comments. He was supported by Academy of Finland grant 296018 and by the French *Agence Nationale de la Recherche* through the project AGIRA.

References

1. S. I. Adian, *The Burnside problem and identities in groups*, *Ergebnisse der Mathematik und ihrer Grenzgebiete* **95** (1979).
2. A. Akhavi, I. Klimann, S. Lombardy, J. Mairesse, and M. Picantin, *On the finiteness problem for automaton (semi)groups*, *International Journal of Algebra and Computation* **22** (2012), no. 6, 1–26.

3. L. Bartholdi, Th. Godin, I. Klimann, and M. Picantin, *A new hierarchy for automaton semigroups*, 23rd Conference on Implementation and Application of Automata, (CIAA), 2018, pp. 71–83.
4. L. Bartholdi and I. Mitrofanov, *The word and order problems for self-similar and automata groups*, 2017, arXiv:1710.10109.
5. L. Bartholdi and B. Virág, *Amenability via random walks*, *Duke Math. J.* **130** (2005), no. 1, 39–56.
6. I. V. Bondarenko, N. V. Bondarenko, S. N. Sidki, and F. R. Zapata, *On the conjugacy problem for finite-state automorphisms of regular rooted trees*, *Groups Geom. Dyn.* **7** (2013), no. 2, 323–355, With an appendix by R. M. Jungers. MR 3054572
7. M. Delacourt and N. Ollinger, *Permutive one-way cellular automata and the finiteness problem for automaton groups*, *Unveiling Dynamics and Complexity - 13th Conference on Computability in Europe (CiE)*, 2017, pp. 234–245.
8. J. D. Dixon, *The probability of generating the symmetric group*, *Mathematische Zeitschrift* **110** (1969), no. 3, 199–205.
9. D. Francoeur and I. Mitrofanov, *On the existence of free subsemigroups in reversible automata semigroups*, (2018), arXiv:1811.04679.
10. P. Gillibert, *The finiteness problem for automaton semigroups is undecidable*, *International Journal of Algebra and Computation* **24-1** (2014), no. 1, 1–9.
11. ———, *An automaton group with undecidable order and Engel problems*, *Journal of Algebra* **497** (2018), 363 – 392.
12. Th. Godin, *An analogue to Dixon’s theorem for automaton groups*, *Proceedings of the Fourteenth Workshop on Analytic Algorithmics and Combinatorics (ANALCO)*, 2017, pp. 164–173.
13. Th. Godin, I. Klimann, and M. Picantin, *On torsion-free semigroups generated by invertible reversible Mealy automata*, *Language and automata theory and applications, Lecture Notes in Comput. Sci.*, vol. 8977, Springer, Cham, 2015, pp. 328–339.
14. R. I. Grigorchuk, *On Burnside’s problem on periodic groups*, *Akademiya Nauk SSSR. Funktsional’nyĭ Analiz i ego Prilozheniya* **14-1** (1980), 53–54.
15. ———, *Degrees of growth of finitely generated groups and the theory of invariant means*, *Izvestiya Akademii Nauk SSSR. Seriya Matematicheskaya* **48-5** (1984), no. 5, 939–985.
16. V. Nekrashevych, *Self-similar groups*, *Mathematical Surveys and Monographs*, vol. 117, American Mathematical Society, Providence, RI, 2005.
17. ———, *Free subgroups in groups acting on rooted trees*, *Groups, Geometry, and Dynamics* **4** (2010), no. 4, 847–862.
18. F. Olukoya, *The growth rates of automaton groups generated by reset automata*, (2017), arXiv:1708.07209.
19. M. Picantin, *Automates, (semi)groupes, dualités*, *Habilitation à diriger des recherches*, Université Paris Diderot (2017).
20. A. Russeyev, *Finite groups as groups of automata with no cycles with exit*, *Algebra and Discrete Mathematics* **9** (2010), no. 1, 86–102.
21. S. Sidki, *Automorphisms of one-rooted trees: growth, circuit structure, and acyclicity*, *Journal of Mathematical Sciences* **100** (2000), no. 1, 1925–1943, Algebra, 12.
22. P. Silva and B. Steinberg, *On a class of automata groups generalizing lamplighter groups.*, **15** (2005), 1213–1234.
23. M. Vorobets and Y. Vorobets, *On a free group of transformations defined by an automaton*, *Geometriae Dedicata* **124** (2007), 237–249.
24. J. S. Wilson, *On exponential growth and uniformly exponential growth for groups*, *Invent. Math.* **155** (2004), no. 2, 287–303. MR 2031429