



HAL
open science

Exploring Textual and Speech information in Dialogue Act Classification with Speaker Domain Adaptation

Xuanli He, Hung Quan, William N Havard, Laurent Besacier, Ingrid Zukerman,
Gholamreza Haffari

► **To cite this version:**

Xuanli He, Hung Quan, William N Havard, Laurent Besacier, Ingrid Zukerman, et al.. Exploring Textual and Speech information in Dialogue Act Classification with Speaker Domain Adaptation. Australasian Language Technology Association Workshop, Dec 2018, Dunedin, New Zealand. pp.61-65. <hal-01962571>

HAL Id: hal-01962571

<https://hal.science/hal-01962571v1>

Submitted on 20 Dec 2018

HAL is a multi-disciplinary open access archive for the deposit and dissemination of scientific research documents, whether they are published or not. The documents may come from teaching and research institutions in France or abroad, or from public or private research centers.

L'archive ouverte pluridisciplinaire **HAL**, est destinée au dépôt et à la diffusion de documents scientifiques de niveau recherche, publiés ou non, émanant des établissements d'enseignement et de recherche français ou étrangers, des laboratoires publics ou privés.



HAL Authorization

Exploring Textual and Speech information in Dialogue Act Classification with Speaker Domain Adaptation

Xuanli He*
Monash University
xuanli.he1@monash.edu

Quan Hung Tran*
Monash University
hung.tran@monash.edu

William Havard
Univ. Grenoble Alpes
william.havard@gmail.com

Laurent Besacier
Univ. Grenoble Alpes
laurent.besacier@imag.fr

Ingrid Zukerman
Monash University
ingrid.zukerman@monash.edu

Gholamreza Haffari
Monash University
gholamreza.haffari@monash.edu

Abstract

In spite of the recent success of Dialogue Act (DA) classification, the majority of prior works focus on text-based classification with oracle transcriptions, i.e. human transcriptions, instead of Automatic Speech Recognition (ASR)’s transcriptions. In spoken dialog systems, however, the agent would only have access to noisy ASR transcriptions, which may further suffer performance degradation due to domain shift. In this paper, we explore the effectiveness of using both acoustic and textual signals, either oracle or ASR transcriptions, and investigate speaker domain adaptation for DA classification. Our multimodal model proves to be superior to the unimodal models, particularly when the oracle transcriptions are not available. We also propose an effective method for speaker domain adaptation, which achieves competitive results.

1 Introduction

Dialogue Act (DA) classification is a sequence-labelling task, mapping a sequence of utterances to their corresponding DAs. Since DA classification plays an important role in understanding spontaneous dialogue (Stolcke et al., 2000), numerous techniques have been proposed to capture the semantic correlation between utterances and DAs.

Earlier on, statistical techniques such as Hidden Markov Models (HMMs) were widely used to recognise DAs (Stolcke et al., 2000; Julia et al., 2010). Recently, due to the enormous success of neural networks in sequence labeling/transduction tasks (Sutskever et al., 2014; Bahdanau et al.,

2014; Nallapati et al., 2016; Popov, 2016), several recurrent neural network (RNN) based architectures have been proposed to conduct DA classification, resulting in promising outcomes (Ji et al., 2016; Shen and Lee, 2016; Tran et al., 2017a).

Despite the success of previous work in DA classification, there are still several fundamental issues. Firstly, most of the previous works rely on transcriptions (Ji et al., 2016; Shen and Lee, 2016; Tran et al., 2017a). Fewer of these focus on combining speech and textual signals (Julia et al., 2010), and even then, the textual signals in these works come from the oracle transcriptions. We argue that in the context of a spoken dialog system, oracle transcriptions of utterances are usually not available, i.e. the agent does not have access to the human transcriptions to produce answers. Speech and textual data complement each other, especially when textual data is from ASR systems rather than oracle transcripts. Furthermore, domain adaptation in text or speech-based DA classification is relatively under-investigated. As shown in our experiments, DA classification models perform much worse when they are applied to new speakers.

In this paper, we explore the effectiveness of using both acoustic and textual signals, and investigate speaker domain adaptation for DA classification. We present a multimodal model to combine text and speech signals, which proves to be superior to the unimodal models, particularly when the oracle transcriptions are not available. Our experiments are conducted on Switchboard (Godfrey et al., 1992; Jurafsky et al., 1997) and Maptask (Anderson et al., 1991). Moreover, we propose an effective method for speaker domain adaptation, which learns a suitable encoder for the new domain giving rise to representations similar to those in the source domain. Our domain adaptation does not need any labeled data from the tar-

*equal contribution

get domain, and significantly outperforms the unadapted model.

2 Model Description

In this section, we describe the basic structure of our model, which combines the textual and speech modalities. We also introduce a representation learning approach using adversarial ideas to tackle the domain adaptation problem.

2.1 Our Multimodal Model

A conversation is comprised of a sequence of utterances $\mathbf{u}_1, \dots, \mathbf{u}_T$, and each utterance \mathbf{u}_t is labeled with a DA a_t . An utterance could include text, speech or both. We focus on online DA classification, and our classification model attempts to directly model the conditional probability $p(\mathbf{a}_{1:T}|\mathbf{u}_{1:T})$ decomposed as follows:

$$p(\mathbf{a}_{1:T}|\mathbf{u}_{1:T}) = \prod_{t=1}^T p(a_t|a_{t-1}, \mathbf{u}_t). \quad (1)$$

To incorporate the previous DA information and tackle the label-bias problem, we adopt the uncertainty propagation architecture (Tran et al., 2017b). The conditional probability term in Eqn. 1 is computed as follows:

$$\begin{aligned} a_t|a_{t-1}, \mathbf{u}_t &\sim \mathbf{q}_t \\ \mathbf{q}_t &= \text{softmax}(\overline{\mathbf{W}} \cdot \mathbf{c}(\mathbf{u}_t) + \overline{\mathbf{b}}) \\ \overline{\mathbf{W}} &= \sum_a \mathbf{q}_{t-1}(a) \mathbf{W}^a, \quad \overline{\mathbf{b}} = \sum_a \mathbf{q}_{t-1}(a) \mathbf{b}^a \end{aligned}$$

where \mathbf{W}^a and \mathbf{b}^a are DA-specific parameters gated on the DA a , $\mathbf{c}(\mathbf{u}_t)$ is the encoding of the utterance \mathbf{u}_t , and \mathbf{q}_{t-1} represents the uncertainty distribution over the DAs at the time step $t - 1$.

Text Utterance. An utterance \mathbf{u}_t includes a list of words w_t^1, \dots, w_t^n . The word w_t^i is embedded by $\mathbf{x}_t^i = \mathbf{e}(w_t^i)$ where \mathbf{e} is the embedding table.

Speech Utterance. We apply a frequency-based transformation on raw speech signals to acquire Mel-frequency cepstral coefficients (MFCCs), which have been very effective in speech recognition (Mohamed et al., 2012). To learn the context-specific features of the speech signal, a convolutional neural network (CNN) is employed over MFCCs:

$$\mathbf{x}'_t{}^1, \dots, \mathbf{x}'_t{}^m = \text{CNN}(\mathbf{s}_t^1, \dots, \mathbf{s}_t^k)$$

where \mathbf{s}_t^i is a MFCC feature vector at the position i for the t -th utterance.

Encoding of Text+Speech. We employ two RNNs with LSTM units to encode the text and speech sequences an utterance \mathbf{u}_t :

$$\begin{aligned} \mathbf{c}(\mathbf{u}_t)^{tx} &= \text{RNN}_{\boldsymbol{\theta}}(\mathbf{x}_t^1, \dots, \mathbf{x}_t^n) \\ \mathbf{c}(\mathbf{u}_t)^{sp} &= \text{RNN}_{\boldsymbol{\theta}' }(\mathbf{x}'_t{}^1, \dots, \mathbf{x}'_t{}^m). \end{aligned}$$

where the encoding of the text $\mathbf{c}(\mathbf{u}_t)^{tx}$ and speech $\mathbf{c}(\mathbf{u}_t)^{sp}$ are the last hidden states of the corresponding RNNs whose parameters are denoted by $\boldsymbol{\theta}$ and $\boldsymbol{\theta}'$. The distributed representation $\mathbf{c}(\mathbf{u}_t)$ of the utterance \mathbf{u}_t is then the concatenation of $\mathbf{c}(\mathbf{u}_t)^{tx}$ and $\mathbf{c}(\mathbf{u}_t)^{sp}$.

2.2 Speaker Domain Adaptation

Different people tend to speak differently. This creates a problem for DA classification systems, as unfamiliar speech signals might not be recognised properly. In our preliminary experiments, the performance of DA classification on speakers that appear in the training set is found to be significantly higher than that of unknown speakers in the test set. This motivates to explore the problem of speaker domain adaptation in DA classification.

We assume we have a large amount of labelled source data pair $\{X_{src}, Y_{src}\}$, and a small amount of unlabelled target data X_{trg} , where an utterance $\mathbf{u} \in X$ includes both speech and text parts. Inspired by Tzeng et al. (2017), our goal is to learn a target domain encoder which can fool a domain classifier C_ϕ in distinguishing whether the utterance belongs to the source or target domain. Once the target encoder is trained to produce representations which look like those coming from the source domain, the target encoder can be used together with other components of the source DA prediction model to predict DAs for the target domain (see Figure 2).

We use a 1-layer feed-forward network as the domain classifier:

$$C_\phi(\mathbf{r}) = \sigma(\mathbf{W}_C \cdot \mathbf{r} + b_C)$$

where the classifier produces the probability of the input representation \mathbf{r} belonging to the source domain, and ϕ denotes the classifier parameters $\{\mathbf{W}_C, b_C\}$. Let the target and source domain encoders are denoted by $\mathbf{c}_{trg}(\mathbf{u}_{trg})$ and $\mathbf{c}_{src}(\mathbf{u}_{trg})$, respectively. The training objective of the domain

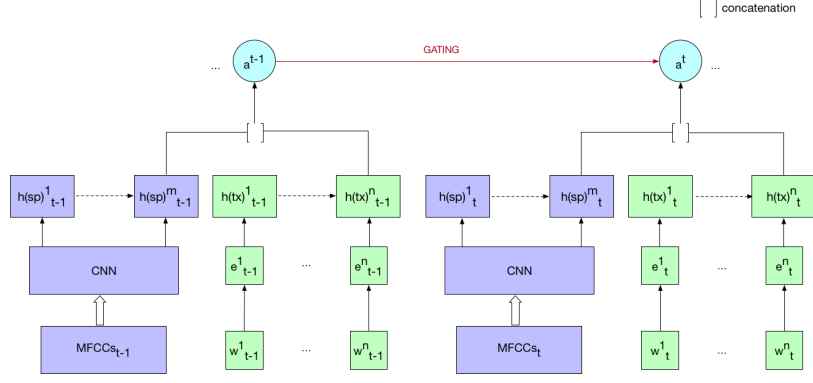


Figure 1: The multimodal model. For the utterance t , the left and right sides are encoding speech and text, respectively.

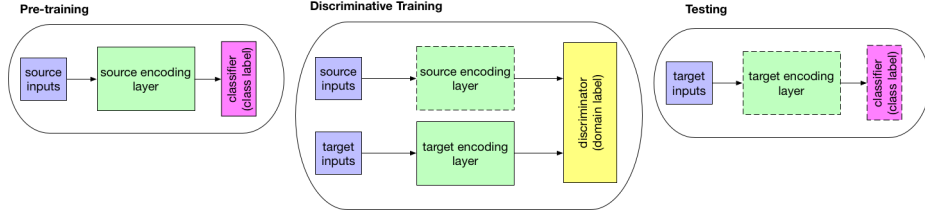


Figure 2: Overview of discriminative model. Dashed lines indicate frozen parts

classifier is:

$$\begin{aligned} \min_{\phi} \mathcal{L}_1(X_{src}, X_{trg}, C_{\phi}) = & \\ & - \mathbb{E}_{\mathbf{u} \sim X_{src}} [\log C_{\phi}(\mathbf{c}_{src}(\mathbf{u}))] \\ & - \mathbb{E}_{\mathbf{u} \sim X_{trg}} [1 - \log C_{\phi}(\mathbf{c}_{trg}(\mathbf{u}))]. \end{aligned}$$

As mentioned before, we keep the source encoder fixed and train the parameters of the target domain encoder. The training objective of the target domain encoder is

$$\begin{aligned} \min_{\theta'_{trg}} \mathcal{L}_2(X_{trg}, C_{\phi}) = & \\ & - \mathbb{E}_{\mathbf{u} \sim X_{trg}} [\log C_{\phi}(\mathbf{c}_{trg}(\mathbf{u}))] \end{aligned}$$

where the optimisation is performed over the speech RNN parameters θ'_{trg} of the target encoder. We also tried to optimise other parameters (i.e. CNN parameters, word embeddings and text RNN parameters), but the performance is similar to the speech RNN only. This is possibly because the major difference between source and target domain data is due to the speech signals. We alternate between optimising \mathcal{L}_1 and \mathcal{L}_2 using Adam (Kingma and Ba, 2014) until a training condition is met.

3 Experiments

3.1 Datasets

We test our models on two datasets: the MapTask Dialog Act data (Anderson et al., 1991) and the Switchboard Dialogue Act data (Jurafsky et al., 1997).

MapTask dataset This dataset consist of 128 conversations labelled with 13 DAs. We randomly partition this data into 80% training, 10% development and 10% test sets, having 103, 12 and 13 conversations respectively.

Switchboard dataset There are 1155 transcriptions of telephone conversations in this dataset, and each utterance falls into one of 42 DAs. We follow the setup proposed by Stolcke et al. (2000): 1115 conversations for training, 21 for development and 19 for testing. Since we do not have access to the original recordings of Switchboard dataset, we use synthetic speeches generated by a text-to-speech (TTS) system.

3.2 Results

In-Domain Evaluation. Unlike most prior work (Ji et al., 2016; Shen and Lee, 2016; Tran et al., 2017a), we use ASR transcripts, produced by the CMUSphinx ASR system, rather than the oracle text. We argue that most dialogues in the real

world are in the speech format, thus our setup is closer to the real-life scenario.

As shown in Tables 1 and 2, our multimodal model outperforms strong baselines on Switchboard and MapTask datasets, when using the ASR transcriptions. When using the oracle text, the information from the speech signal does not lead to further improvement though, possibly due to the existence of acoustic features (such as tones, question markers etc) in the high quality transcriptions. On MapTask, there is a large gap between oracle-based and ASR-based models. This degradation is mainly caused by the poor quality acoustic signals in MapTask, making ASR ineffective compared to directly predicting DAs from the speech signal.

Models	Accuracy
Oracle text	
Stolcke et al. (2000)	71.00%
Shen and Lee (2016)	72.60%
Tran et al. (2017a)	74.50%
Text only (ours)	74.97%
Text+Speech (ours)	74.98%
Speech and ASR	
Speech only	59.71%
Text only (ASR)	66.39%
Text+Speech (ASR)	68.25%

Table 1: Results of different models on Switchboard data.

Models	Accuracy
Oracle text	
Julia et al. (2010)	55.40%
Tran et al. (2017a)	61.60%
Text only (ours)	61.73%
Text+Speech (ours)	61.67%
Speech and ASR	
Speech only	39.32%
Text only (ASR)	38.10%
Text+Speech (ASR)	39.39%

Table 2: Results of different models on MapTask data.

Out-of-Domain Evaluation. We evaluate our domain adaptation model on the out of domain data on Switchboard. Our training data comprises of five known speakers, whereas development and

test sets include data from three new speakers. The speeches for these 8 speakers are generated by a TTS system from the oracle transcriptions.

As described in Section 2.2, we pre-train our speech models on the labeled training data from the 5 known speakers, then train speech encoders for the new speakers using speeches from both known and new speakers. During domain adaptation, the five known speakers are marked as the source domain, while the three new speakers are treated as the target domains. For domain adaptation with unlabelled data, the DA tags of both the source and target domains are removed. We test the source-only model and the domain adaptation models merely on the three new speakers in test data. As shown in Table 3, compared with the source-only model, the domain adaptation strategy improves the performance of speech-only and text+speech models, consistently and substantially.

Methods	Speech	Text+Speech
Unadapted	48.73%	63.57%
Domain Adapted	54.37%	67.21%
Supervised Learning	56.19 %	68.04%

Table 3: Experimental results of the unadapted (i.e. source-only) and domain adapted models using unlabeled data on Switchboard, as well as the supervised learning upperbound.

To assess the effectiveness of our domain adaptation architecture, we compare it with the supervised learning scenario where the model has access to labeled data from all speakers during training. To do this, we randomly add two thirds of labelled development data of new speakers to the training set, and apply the trained model to the test set. The supervised learning scenario is an upperbound to our domain adaptation approach, as it makes use of labeled data; see the results in the last row of Table 3. However, the gap between supervised learning and domain adaptation is not big compared to that between the adapted and unadapted models, showing that our domain adaptation technique has been effective.

4 Conclusion

In this paper, we have proposed a multimodal model to combine textual and acoustic signals for DA prediction. We have demonstrated that the our model exceeds unimodal models, especially

when oracle transcriptions do not exist. In addition, we have proposed an effective domain adaptation technique in order to adapt our multimodal DA prediction model to new speakers.

References

- Anne H Anderson, Miles Bader, Ellen Gurman Bard, Elizabeth Boyle, Gwyneth Doherty, Simon Garrod, Stephen Isard, Jacqueline Kowtko, Jan McAllister, Jim Miller, et al. 1991. The hcrc map task corpus. *Language and speech* 34(4):351–366.
- Dzmitry Bahdanau, Kyunghyun Cho, and Yoshua Bengio. 2014. Neural machine translation by jointly learning to align and translate. *CoRR* abs/1409.0473.
- John J Godfrey, Edward C Holliman, and Jane McDaniel. 1992. Switchboard: Telephone speech corpus for research and development. In *Acoustics, Speech, and Signal Processing, 1992. ICASSP-92., 1992 IEEE International Conference on*. IEEE, volume 1, pages 517–520.
- Yangfeng Ji, Gholamreza Haffari, and Jacob Eisenstein. 2016. A latent variable recurrent neural network for discourse relation language models. *CoRR* abs/1603.01913.
- Fatema N. Julia, Khan M. Iftekharuddin, and Atiq U. Islam. 2010. Dialog act classification using acoustic and discourse information of maptask data. *International Journal of Computational Intelligence and Applications* 09(04):289–311.
- D. Jurafsky, E. Shriberg, and D. Biasca. 1997. Switchboard SWBD-DAMSL shallow-discourse-function annotation coders manual. Technical Report Draft 13, University of Colorado, Institute of Cognitive Science.
- Diederik P. Kingma and Jimmy Ba. 2014. [Adam: A method for stochastic optimization](http://arxiv.org/abs/1412.6980). *CoRR* abs/1412.6980. <http://arxiv.org/abs/1412.6980>.
- Abdel-rahman Mohamed, Geoffrey Hinton, and Gerald Penn. 2012. Understanding how deep belief networks perform acoustic modelling. In *Acoustics, Speech and Signal Processing (ICASSP), 2012 IEEE International Conference on*. IEEE, pages 4273–4276.
- Ramesh Nallapati, Bing Xiang, and Bowen Zhou. 2016. Sequence-to-sequence rnns for text summarization. *CoRR* abs/1602.06023.
- Alexander Popov. 2016. *Deep Learning Architecture for Part-of-Speech Tagging with Word and Suffix Embeddings*, Springer International Publishing, Cham, pages 68–77.
- Sheng-syun Shen and Hung-yi Lee. 2016. Neural attention models for sequence classification: Analysis and application to key term extraction and dialogue act detection. *CoRR* abs/1604.00077.
- Andreas Stolcke, Klaus Ries, Noah Coccaro, Elizabeth Shriberg, Rebecca A. Bates, Daniel Jurafsky, Paul Taylor, Rachel Martin, Carol Van Ess-Dykema, and Marie Meteer. 2000. Dialogue act modeling for automatic tagging and recognition of conversational speech. *CoRR* cs.CL/0006023.
- Ilya Sutskever, Oriol Vinyals, and Quoc V. Le. 2014. Sequence to sequence learning with neural networks. *CoRR* abs/1409.3215.
- Quan Hung Tran, Ingrid Zukerman, and Gholamreza Haffari. 2017a. A hierarchical neural model for learning sequences of dialogue acts. In *Proceedings of the 15th Conference of the European Chapter of the Association for Computational Linguistics: Volume 1, Long Papers*. volume 1, pages 428–437.
- Quan Hung Tran, Ingrid Zukerman, and Gholamreza Haffari. 2017b. Preserving distributional information in dialogue act classification. In *Proceedings of the 2017 Conference on Empirical Methods in Natural Language Processing*. pages 2141–2146.
- Eric Tzeng, Judy Hoffman, Kate Saenko, and Trevor Darrell. 2017. Adversarial discriminative domain adaptation. *CoRR* abs/1702.05464.