



HAL
open science

Carboxylesterase gene amplifications associated with insecticide resistance in *Aedes albopictus*: Geographical distribution and evolutionary origin

Linda Grigoraki, Dimitra Pipini, Pierrick Labbe, Alexandra Chaskopoulou, Mylène Weill, John Vontas

► To cite this version:

Linda Grigoraki, Dimitra Pipini, Pierrick Labbe, Alexandra Chaskopoulou, Mylène Weill, et al.. Carboxylesterase gene amplifications associated with insecticide resistance in *Aedes albopictus*: Geographical distribution and evolutionary origin. *PLoS Neglected Tropical Diseases*, 2017, 11 (4), pp.e0005533. 10.1371/journal.pntd.0005533 . hal-01938027v2

HAL Id: hal-01938027

<https://hal.science/hal-01938027v2>

Submitted on 15 Oct 2020

HAL is a multi-disciplinary open access archive for the deposit and dissemination of scientific research documents, whether they are published or not. The documents may come from teaching and research institutions in France or abroad, or from public or private research centers.

L'archive ouverte pluridisciplinaire **HAL**, est destinée au dépôt et à la diffusion de documents scientifiques de niveau recherche, publiés ou non, émanant des établissements d'enseignement et de recherche français ou étrangers, des laboratoires publics ou privés.



Distributed under a Creative Commons CC0 - Public Domain Dedication 4.0 International License

RESEARCH ARTICLE

Carboxylesterase gene amplifications associated with insecticide resistance in *Aedes albopictus*: Geographical distribution and evolutionary origin

Linda Grigoraki^{1,2}, Dimitra Pipini^{1,2}, Pierrick Labbé³, Alexandra Chaskopoulou⁴, Mylene Weill³, John Vontas^{1,5*}

1 Institute of Molecular Biology and Biotechnology, Foundation for Research and Technology-Hellas, Heraklion, Greece, **2** Department of Biology, University of Crete, Heraklion, Greece, **3** Institut des sciences de l'évolution, CNRS-IRD-Université de Montpellier-EPHE, Montpellier, France, **4** European Biological Control Laboratory, USDA-ARS, Thessaloniki, Greece, **5** Department of Crop Science, Pesticide Science Lab, Agricultural University of Athens, Athens, Greece

* vontas@imbb.forth.gr



OPEN ACCESS

Citation: Grigoraki L, Pipini D, Labbé P, Chaskopoulou A, Weill M, Vontas J (2017) Carboxylesterase gene amplifications associated with insecticide resistance in *Aedes albopictus*: Geographical distribution and evolutionary origin. *PLoS Negl Trop Dis* 11(4): e0005533. <https://doi.org/10.1371/journal.pntd.0005533>

Editor: Paulo Filemon Pimenta, Fundação Oswaldo Cruz, BRAZIL

Received: December 27, 2016

Accepted: March 28, 2017

Published: April 10, 2017

Copyright: This is an open access article, free of all copyright, and may be freely reproduced, distributed, transmitted, modified, built upon, or otherwise used by anyone for any lawful purpose. The work is made available under the [Creative Commons CC0](https://creativecommons.org/licenses/by/4.0/) public domain dedication.

Data Availability Statement: All relevant data are within the paper and its Supporting Information files.

Funding: The research received funding from the European Union FP7 (2013) under grant agreement no 228421 to INFRAVEC (<http://www.infravec.eu/>) and a bilateral Greece-France Cooperation Program (no 1641) (www.gsrt.gr). The funders had no role in study design, data

Abstract

Background

Aedes albopictus is one of the most invasive human disease vectors. Its control has been largely based on insecticides, such as the larvicide temephos. Temephos resistance has been associated with the up-regulation, through gene amplification, of two carboxylesterase (CCE) genes closely linked on the genome, capable of sequestering and metabolizing temephos oxon, the activated form of temephos.

Principal findings

Here, we investigated the occurrence, geographical distribution and origin of the CCE amplicon in *Ae. albopictus* populations from several geographical regions worldwide. The haplotypic diversity at the *CCEae3a* locus revealed high polymorphism, while phylogenetic analysis showed an absence of correlation between haplotype similarity and geographic origin. Two types of esterase amplifications were found, in two locations only (Athens and Florida): one, previously described, results in the amplification of both *CCEae3a* and *CCEae6a*; the second is being described for the first time and results in the amplification of *CCEae3a* only. The two amplification events are independent, as confirmed by sequence analysis. All individuals from Athens and Florida carrying the *CCEae3a-CCEae6a* co-amplicon share a common haplotype, indicating a single amplification event, which spread between the two countries.

Significance

The importance of passive transportation of disease vectors, including individuals carrying resistance mechanisms, is discussed in the light of efficient and sustainable vector control strategies.

collection and analysis, decision to publish, or preparation of the manuscript.

Competing interests: The authors have declared that no competing interests exist.

Author summary

Control of mosquito borne diseases is being seriously challenged by the ongoing development of insecticide resistance. Resistance of *Aedes albopictus*, a major arbovirus vector, to the organophosphate larvicide temephos was recently associated with the up-regulation, through gene amplification, of two carboxylesterases; *CCEae3a* and *CCEae6a*. Here we investigated the worldwide distribution and origin of the amplified esterases, which is of great value for designing and implementing efficient vector control programs. Individuals with amplification of both esterases were found in Greece and Florida (U.S.A), representing a single amplification event that spread between the two countries, highlighting the importance of passive transportation of disease vectors carrying resistance mechanisms, which is mainly facilitated by human activities. In addition, individuals with amplification of the *CCEae3a* only, but not the *CCEae6a*, representing a second and independent amplification event were found in Florida. The worldwide haplotypic diversity obtained for *CCEae3a* is consistent with the highly invasive nature of the *Aedes albopictus*.

Introduction

Aedes albopictus is vector of several important arboviruses, and has recently become a major threat to human health [1,2]. Its role in several disease outbreaks has been documented, for example dengue in Hawaii (2001–02), Gabon (2007) and Japan (2014)[3–5]; chikungunya in Italy (2007) and Reunion Island (2005–06) [6,7]; Zika in Gabon (2007) [8]. This mosquito species has also drawn attention by being one of the most invasive human disease vectors worldwide. It originated from India and South-East Asia, and quickly invaded almost all continents [9]. Its presence was first reported in Europe (Albania) in 1979 [10], in USA (Texas) in 1985 [11] and in Africa (Cape Town) in 1989 [12]. The successful spread of *Ae. albopictus* throughout the globe has been facilitated by human activities, like trade of tires and other goods, as well as tourism [2]; these indeed allow transportation of desiccated eggs and larvae to new places. Its ability to adapt to different environments has also been associated with specific biological traits, such as the production of diapausing eggs, which enables its survival at cooler temperatures [9].

The control of *Ae. albopictus* is largely based on habitat management campaigns [13], repellents (spatial or personal) and insecticides (larvicides and adulticides) [14], while the use of alternative means such as *Wolbachia*, Sterile Insect Techniques and genetic manipulation approaches are also currently being investigated [15,16]. Among a limited number of mosquito larvicides (including bacterial toxins and insect growth regulators—IGRs), temephos is an organophosphate (OP) that has been used extensively for the control of *Aedes* mosquitoes (*Ae. aegypti* and the often sympatric *Ae. albopictus*) in several continents and countries [17]. However, resistance against this insecticide has been reported [18,19]. We recently showed [20] that resistance against temephos in an *Ae. albopictus* population from Greece is associated with the upregulation, through gene amplification (*i.e.* multiple gene copies) of two carboxylesterase genes (CCEs), namely *CCEae3a* and *CCEae6a*, which are closely located on the genome [21]. Notably, the same orthologous genes (*CCEae3a* and *CCEae6a*) have also been associated with temephos resistance in *Ae. aegypti*, the primary dengue and yellow fever vector worldwide [22]. *CCEae3a* protein was shown to be localized in malpighian tubules (MT) and nerve tissues of the *Ae. albopictus* larvae, as well as being able to sequester and metabolize temephos oxon, the activated form of temephos [23].

OP resistance based on sequestration and enhanced metabolism resulting from CCE gene amplifications has also been described in other insects and mosquito species, such as the aphid *Myzus persicae* [24] and members of the mosquito *Culex pipiens* complex [25,26]. At the world scale, only a few CCE genes have been recorded amplified in cases of resistance in insects, which tends to indicate that advantageous mutations could be limiting. Although the mechanism by which esterase genes are amplified has not been established yet, it has been suggested that certain genome regions are probably a "hot spot" for recombination and amplification. Regions showing homology with repetitive elements have been found in DNA flanking the amplified CCEs, suggesting that these may have a role in the amplification process, as they may be functionally related to transposable elements [27].

Resistance to OPs in *Culex* mosquitoes has been shown to occur via over-expression, through gene amplification, of two esterase loci, *Est-2* and *Est-3*, which may be amplified singly (e.g. the *estβ1* gene) or more commonly are co-amplified as allelic pairs in resistant mosquitoes [27,28]. However, the amplified alleles can differ, which indicates that the amplification process happened several times independently. These amplified CCE alleles have been described in different geographical places. Some of them remained localized in a relatively limited area and appeared as independent events. Others have spread to distant regions from a single evolutionary origin; the same common haplotypes are indeed found in mosquitoes from different continents [29–32]. It appears that once amplification has occurred, it can easily reach other geographic areas by migration, and then invade thanks to local insecticide selection [33]. For example, the worldwide most common allele is *Ester*² (or *estα2-estβ2* co-amplicon), which occurs in >80% of insecticide resistant strains [34], suggesting that it may confer higher fitness than other allelic variants [33,35].

The distribution and origin of amplified CCEs associated with insecticide resistance has not been studied in *Aedes* mosquitoes. Here, we investigated the occurrence, frequency and geographical distribution, as well as the phylogenetic relationship and origin of the *CCEae3a-CCEae6a* amplicon(s)/loci in *Ae. albopictus* populations from 16 different places across the globe.

Materials and methods

Sampling and species ID verification

Ae. albopictus field mosquitoes used in this study were collected from Mexico (Apocada, Reynosa and Tapachula), U.S.A (Florida and Atlanta), Brazil (Rio de Janeiro), Belize (Orange walk town), Gabon (Franceville, Cocobeach, Lope), Switzerland (Ticino), France (Montpellier), Italy (Lombardy), Greece (Agios Stefanos, Koronida), Taiwan (Taipei), China (Beijing), Sri Lanka (Peradeniya), Australia (Hammond), Bangladesh (Panchagarh), Lebanon (Beirut) and Japan (Tokyo). In addition individuals from two laboratory colonies were used: i) the Tem-GR strain, derived from an *Ae. albopictus* population collected in 2010 in Athens (Greece) and selected with temephos using standard WHO larval bioassays [20], and ii) the Malaysia-Lab strain, a susceptible laboratory strain originally collected in Malaysia [36].

Ae. albopictus adults or larvae stored in ethanol were first dried, and then genomic DNA was extracted from each individual using the Cetyl Trimethyl Ammonium Bromide (CTAB) method described in Navajas et al. [37]. The DNA pellet was dissolved in 20μl of sterile water. Individuals were identified to species based on a species ID PCR [38]. In each PCR reaction, reference *Ae. albopictus* and *Ae.aegypti* samples were used as controls.

Detection of esterase gene amplification

CCEae3a and *CCEae6a* gene copy number variation (CNV) was assessed using quantitative PCR (qPCR) on individual *Ae. albopictus* specimens (S1 Table). Amplification reactions (25μl

final volume) were performed on a MiniOpticon Two-Color Real-Time PCR Detection System (BioRad) using 2µl of genomic DNA (diluted 5 times), 0.4µM primers (two different primer pairs per target gene) (S2 Table) and Kapa SYBR FAST qPCR Master Mix (Kapa-Biosystems). Two housekeeping genes, histone3 (NCBI: XM_019696438.1) and the ribosomal protein L34 (NCBI: XM_019677758.1), were used as reference genes for normalization [39]. Fivefold dilution series of pooled genomic DNA from the temephos susceptible Malaysia-Lab strain and the temephos selected TemGR strain were used to assess the efficiency of the qPCR reaction for each gene specific primer pair. A no-template control (NTC) was included to detect possible contamination and a melting curve analysis was performed to check the presence of a unique PCR product. Differences in *CCEae3a* and *CCEae6a* gene copy numbers were estimated relative to the temephos susceptible Malaysia-Lab strain, following Pfaffl [40].

Sequencing of *CCEae3a* intronic regions

CCEae3a (Vector base, AALF007796) is predicted to encompass three exons and two introns. To identify the most variable part of the gene the full intron1 was amplified using forward primer 5'-ACGGTCCTCGATACATAGTG-3' and reverse primer 5'-TAGCCTCATTGCTGGTTAGC-3' (hybridizing respectively at the end of exon1 and at the beginning of exon2) and the full intron2 was amplified using forward primer 5'-AGAGTGCGTTACGGATCAAG-3' and reverse primer 5'-CACTGGCTTCCAGGAGATAC-3' (hybridizing respectively at the end of exon2 and at the beginning of exon3). The PCR reactions (25µl final volume) were performed using 2µl genomic DNA from individual *Ae. albopictus* mosquitoes, 0.4µM primers, 0.2mM dNTPs, 5µl of 10X buffer and 1U of Kapa Taq DNA Polymerase (KAPABIOSYSTEMS). The PCR conditions were 95°C for 5min followed by 29 cycles of 94°C for 30sec, 48°C for 30sec, 72°C for 1min and a final extension of 72°C for 10min. PCR products were purified using a PCR purification kit (Macherey Nagel) and sent for sequencing using the forward primer (Macrogen Sequencing Facility, Amsterdam).

To assess the diversity of *CCEae3a*, the 709bp fragment of the gene (including the last 314bp of exon1, the whole intron1 and the first 192bp of exon2) was sequenced. PCR products from homozygous individuals were sequenced directly using the forward primer (5'-ACGGTCCTCGATACATAGTG-3'); for heterozygotes, the PCR products were cloned using the pGEM-Teasy vector (Promega) according to manufacturer's instructions to separate the different alleles, and six clones for each individual were sent for sequencing (Macrogen sequencing facility, Amsterdam), with the T7 universal primer. Sequences were examined and aligned using the BioEdit software.

Phylogenetic tree construction

Phylogenetic relationships between the different *CCEae3a* haplotype sequences were determined using the Phylogeny.fr platform ("one click mode") [41]. Briefly, sequences were aligned using the MUSCLE 3.8.31 algorithm, and alignment was then refined using the Gblocks 0.91b software to exclude poorly aligned parts. Subsequently the PhyML 3.1/3.0 (aRLT) software was used to assess the clade support, by computing the maximum likelihood tree and aLRT test (approximate Likelihood Ratio Test) [42]. Finally the tree was drawn using the TreeDyn 198.3 software [43].

Ethics statement

The work described in this manuscript is in no way linked (directly or indirectly) to ethical concerns. No data from humans have been collected. All research activities respect fundamental ethics principles, including those reflected in the Charter of Fundamental Rights of the

European Union (2000/C 364/01). The work is compatible with EU and international law, as a number of entomological monitoring activities (and transport of gDNA in Ethanol) is contacted worldwide and in Europe (European Mosquito Control Association, <http://www.emca-online.eu>).

Results

Geographic distribution of *CCEae3a* and *CCEae6a* gene amplification

A total of 385 mosquitoes from 16 countries and 22 different collection sites (Fig 1 and S1 Table) were first confirmed to be *Ae. albopictus* (species ID PCR) and subsequently tested for *CCEae3a* and *CCEae6a* CNV via qPCR. Out of 35 individuals tested from Florida, three showed amplification of both *CCEae3a* and *CCEae6a* (Florida 5, 21 and 28), while four showed amplification of *CCEae3a* only (Florida 9, 24, 26 and 35) (Fig 2). Amplification of both esterases was also detected in Greece: two individuals out of 10 from Agios Stefanos (Ag.stef 1, 2), and four out of 10 from Koronida (Koronida 1, 8, 9, 10). Amplification of both esterases was also confirmed in all tested individuals of the temephos resistant TemGR strain (Fig 2). None of the 330 individuals tested from the remaining 14 countries showed amplification of *CCEae3a* or *CCEae6a* (S1 File).

Phylogenetic relationships of *CCE3ae* locus/amplicon: At least two independent amplification events have occurred

The two predicted introns of the *CCEae3a* locus were sequenced using individuals from the TemGR and Malaysia-Lab strains. Intron1 sequences were longer and more variable between individuals from these two strains, while intron2 sequences were identical. A 709 bp region including part of exon1, the whole intron1 and part of exon2 (Fig 3) was thus used to examine

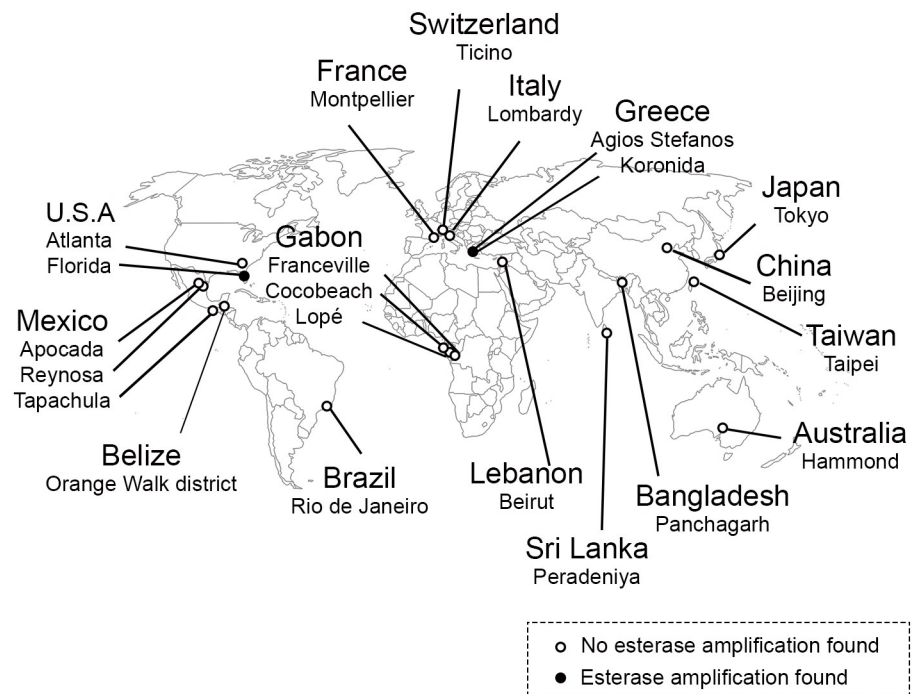


Fig 1. Sample collection map. The countries of origin for the 385 individuals screened for *CCEae3a* and *CCEae6a* gene amplification are indicated. Black and white circles respectively represent places where amplification was or not detected.

<https://doi.org/10.1371/journal.pntd.0005533.g001>

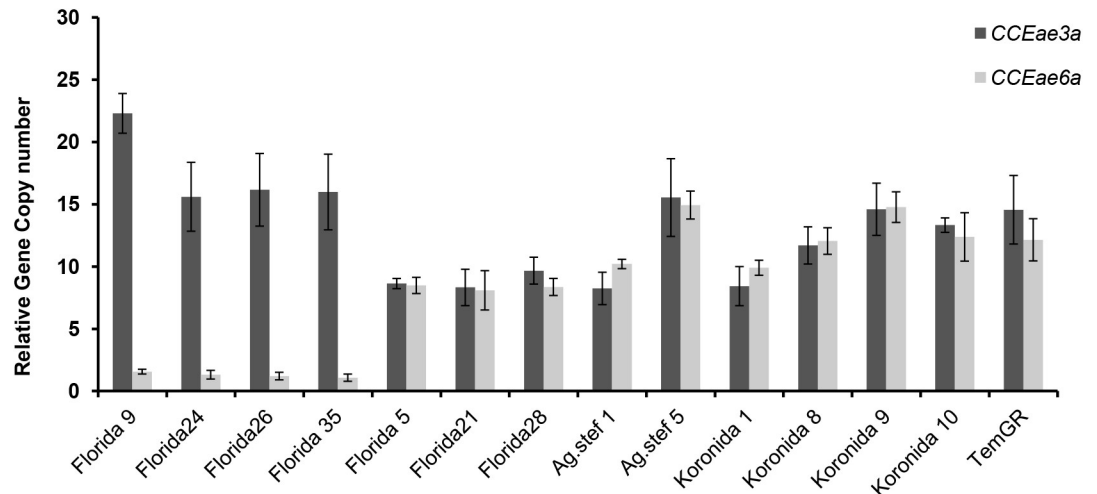


Fig 2. *CCEae3a* and *CCEae6a* gene copy number variation in individuals from Florida and Greece. Quantitative real time PCR values are represented relatively to the values of reference individuals from the Lab strain. Error bars represent the standard error of the mean from at least three technical replicates. *Histone 3* and *rpl34* have been used as reference genes.

<https://doi.org/10.1371/journal.pntd.0005533.g002>

the haplotype diversity between individuals from the sampled countries, with and without CCE amplification (1–14 individuals per collection site, [S1 Table](#)).

Sequence alignment revealed several SNPs throughout the amplified region, both in introns and exons, plus some insertions and deletions in the intronic sequence ([S2 File](#)). The diversity was higher in the intron sequences (mean distance = 0.041 substitution/site) than in the exons (0.012 and 0.014 for exon1 and exon2, respectively)[44]. A total of 45 different haplotypes, differing by at least one mutation, were identified from the 49 individuals tested ([S2 File](#)).

Haplotypes did not cluster based on geographic proximity. While most haplotypes were found in a single individual, some sequences from individuals collected in distant geographic locations were indeed identical: for example H3 was present in individuals from Atlanta, Italy, Greece (Agios Stefanos), Florida and Mexico (Apocada), H7 in individuals from Belize, Italy, Florida and Switzerland, H9 in individuals from Belize, Florida and Mexico (Tapachula), H12 in individuals from China and Lebanon, and H13 in individuals from China, Lebanon and Mexico (Reynosa). Moreover, sequences obtained from individuals collected in the same area often showed a great variability and were found in different clades in the tree, to the point that

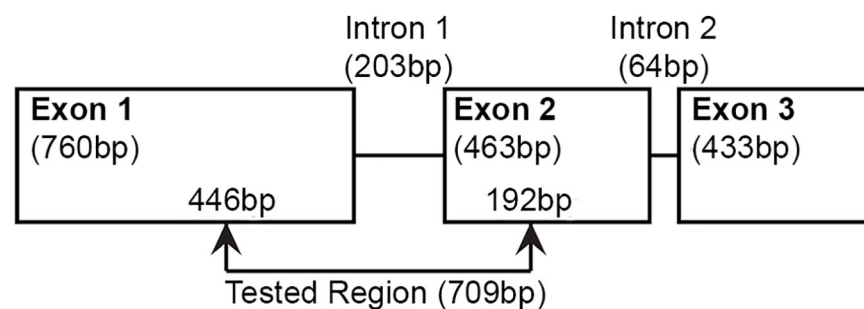


Fig 3. *CCEae3a* gene structure. *CCEae3a* consists of three exons and two introns, represented by boxes and lines respectively, with their size in base pairs (bp). The region selected for the phylogenetic analysis is indicated by the arrows.

<https://doi.org/10.1371/journal.pntd.0005533.g003>

two sequences found in a single heterozygous individual could be quite distant (e.g. Bangladesh4A and B or Brazil14A and B). In particular, haplotypes obtained from individuals with no esterase amplification originating from Florida and Greece were dispersed throughout the phylogenetic tree (Fig 4), clustering with haplotypes from distant areas. In contrast, all individuals displaying amplified esterases clustered in only two highly supported clades. In the first, all the individuals from Florida (U.S.A) showing amplification of only *CCEae3a* shared a common haplotype (H29), which was found in no other individual in the dataset. The second clade clustered all the individuals showing amplification of both *CCEae3a* and *CCEae6a*, whether from Florida (U.S.A) or from Greece (Agios Stephanos and Koronida), including the reference strain TemGR. They also shared a common haplotype (H30), which again was found in no other individual in the dataset. In addition, this second clade was closer to haplotypes obtained from individuals without esterase amplification (e.g Brazil 14B and Taiwan 1B) than to the first clade (*i.e.* individuals with amplification of *CCEae3a* only).

Discussion

Two carboxylesterase genes (CCEs), *CCEae3a* and *CCEae6a* have recently been shown in *Ae. albopictus* to be implicated in OP resistance through gene amplification [20]. To understand the origin and spread of these resistance alleles, we assessed the haplotypic diversity at the *CCEae3a* locus. Analysis revealed that this gene is polymorphic in non-amplified alleles (S2 File): 45 different haplotypes were identified in 49 individuals collected around the globe, with only five (H3, H7, H9, H12 and H13) shared between two or more individuals. Moreover, for these five haplotypes, the individuals came from distant areas, on different continents. The phylogenetic tree further confirmed the absence of correlation between haplotype similarity and geographic origin, as individuals from the same collection area clustered mostly in different clades of the tree (this was even observed for the two haplotypes of a single heterozygote). This observation echoes previous studies on mitochondrial genes, microsatellites and other nuclear genetic markers [45–47] that showed that *Ae. albopictus* populations have been repeatedly transported from their original range (South-East Asia) to different areas around the globe; progenies of mosquitoes originally from the same locality can thus be found in different continents. The frequent exchange of goods at an international level and travelling of people around the world indeed facilitate the passive transportation of mosquitoes, which are often found in aircrafts and ships [48]. These studies also showed that the non-Asiatic populations often result from a mix of several independent invasions. This mechanism, promoting genetic diversity, is often proposed as a key factor contributing to successful establishment of a species in new areas [45,49].

We then addressed the worldwide occurrence, distribution and diversity of esterase amplification in *Ae. albopictus* populations in response to OP selection: our study evidenced that at least two types of esterase amplifications are currently segregating. The first one, resulting in amplification of both *CCEae3a* and *CCEae6a*, had been previously described [20], while the second; resulting in amplification of *CCEae3a* only, is being described for the first time. In contrast to the high *CCEae3a* haplotypic diversity in non-amplified alleles, the two amplified genotypes associated with OP resistance displayed no diversity. It also revealed that the two amplification events were independent: individuals with *CCEae3a* and *CCEae6a* co-amplification displayed identical sequences and thus clustered together, far apart from individuals with *CCEae3a*-only amplification, which also displayed identical sequences. The appearance of independent amplification events at the same genomic region suggests the presence of favoring features, which promote unequal crossing-overs and/or transposition [27]. For example, a repetitive element Juan (possibly related to transposable elements) was found close to the

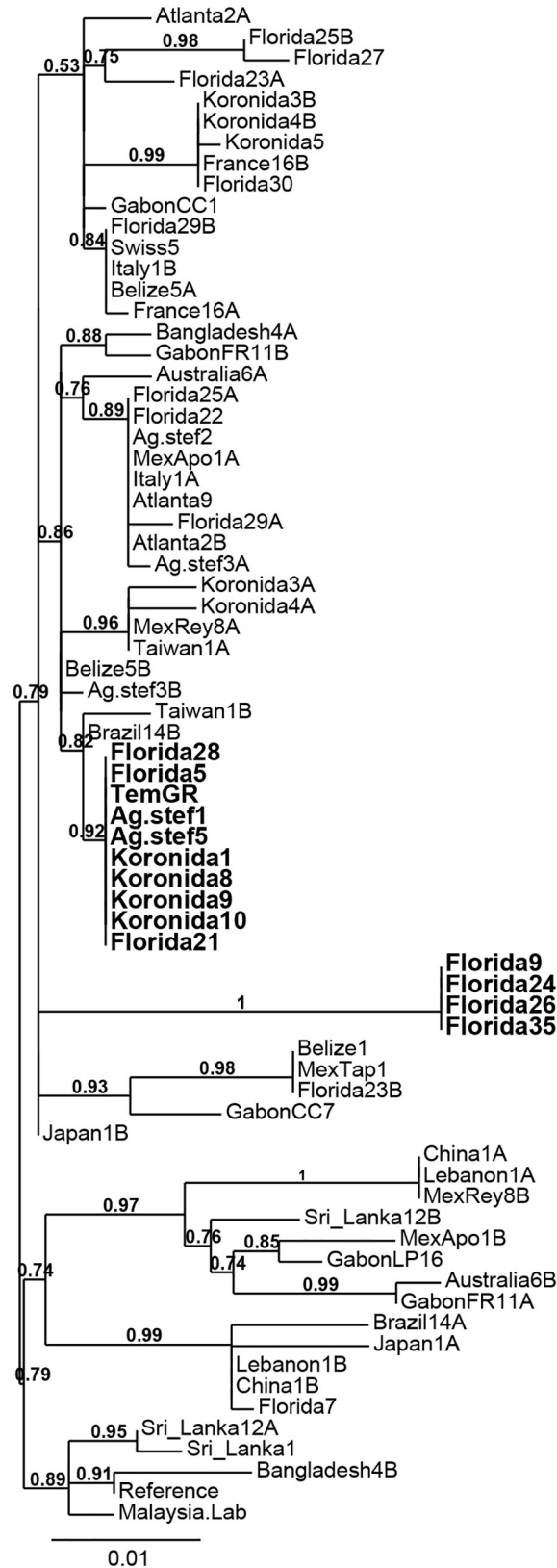


Fig 4. *CCEae3a* diversity. An unrooted maximum likelihood tree was built to represent the phylogenetic distances between the 45 *CCEae3a* haplotypes identified worldwide (see also S1 Table). Distances are

expressed in substitutions/site. The numbers on tree branches represent the supporting probability of each node, based on the aLRT statistical test. Individuals with copy number variation are shown with bold.

<https://doi.org/10.1371/journal.pntd.0005533.g004>

amplified esterase locus in *Cx. quinquefasciatus* [50]. The *Ae. albopictus* genome is also known to carry many transposable elements, and 68% of its genome is occupied by repetitive sequences [21]. If one of those is close to the *CCEae3a* locus, it could facilitate its repeated and independent duplications. In addition, these mechanisms might also act after the first amplification event resulting in further variation in copy numbers. This has been hypothesized in *Cx. pipiens* [51] and might also explain the differences observed in the relative gene copy numbers among individuals from Florida and Greece. The fact that all individuals carrying co-amplifications of both *CCEae3a* and *CCEae6a*, from Greece and Florida U.S.A (two regions hosting many millions of tourists every year), share a common haplotype reveals that a single amplification event took place, and then spread between the two countries. This again outlines the importance of passive transportation of disease vectors, including individuals carrying resistance mechanisms, which unfortunately promotes resistance spread at the world scale, as has been described in *Cx. pipiens* mosquitoes with OP-resistant amplified esterases [30,52]. However, the establishment of a resistance mechanism in a new area largely depends on the local selective advantage it offers in these new environmental conditions [33]. The repetitive use of temephos [53] or other organophosphate insecticides, which could show cross resistance, like the adulticide naled commonly used in Florida [54] probably facilitated the establishment of *CCEae3a* amplified haplotypes in *Ae. albopictus* populations from both countries. It also ensured that these haplotypes were selected and reached high frequencies.

It is actually surprising that the resistance allele found in individuals from the TemGR strain, originally collected in 2010, is still present in Greece 2016 collection: temephos has been officially banned in Europe in 2007, and resistance mechanisms are usually (but not always) associated with fitness costs [55,56]. The persistence of the resistant allele throughout these years suggests either the lack of a significant fitness cost for individuals carrying them or the presence of a current selection source, either from non officially approved vector control activities, or from other substances (e.g. originating for example from agriculture) [57].

In any case, the presence of two independently amplified OP-resistant alleles in *Ae. albopictus* already segregating in distant places in the world (*i.e.* Athens—Greece and Florida—U.S.A) raises concerns about the future control of this species. Although the levels of insecticide resistance in *Ae. albopictus* are low at present (*i.e.* resistance mechanisms/alleles are less frequent) compared to *Ae. aegypti* [18,58], our study shows that resistance can be selected and spread rapidly around the globe also in this species and possibly compromise control activities. As only a limited number of mosquito larvicides are available on the market, temephos resistance is an important consideration for many countries, where this active ingredient is still in use. Moreover, striking resistance mutations have been found in other insect species (*Plutella xylostella*) that completely inactivate the IGR diflubenzuron, now one of the most important mosquito larvicides in Europe and other regions [59]. This further raises serious concerns for regions that have banned the use of temephos, such as Europe, as it is certainly a potential reliable resource for emergency epidemics, new invasion cases, or lack of alternative efficient mosquito control solutions.

Supporting information

S1 Table. Country-location, number of *Aedes albopictus* individuals used in the study and haplotypes identified.

(DOCX)

S2 Table. Primers used for quantitative real time PCR.
(XLSX)

S1 File. qPCR results for gene copy number variation of CCEs in all tested individuals.
(XLSX)

S2 File. All variable sites in the amplified part of CCEae3a esterase.
(XLSX)

Acknowledgments

We would like to thank all colleagues who kindly provided samples: Ilias Kioulos, Dafni company, Athens;; Philip Mccall, Liverpool School of Tropical Medicine, UK; Parakrama Karunaratne, University of Peradeniya, Sri Lanka; Maria Goreti Rosa Freitas, Instituto Oswaldo Cruz FIOCRUZ Rio de Janeiro, Brazil; Diego Ayala, MIVEGEC- Centre IRD Montpellier, France and International Centre for Medical Research, Gabon; Gonzalo M. Vazquez-Prokopec, Emory University, Atlanta USA; Audrey Lenhart, Division of Parasitic Diseases and Malaria Center for Global Health CDC, Atlanta U.S.A; Pie Mueller, Swiss Tropical and Public Health Institute Basel, Switzerland; Tobias Suter, Swiss Tropical and Public Health Institute Basel, Switzerland; Ju-Chun Hsu, National University of Taiwan, Taiwan; Guadalupe del Carmen Reyes Solis, Universidad Autónoma de Yucatán, Mexico; Nicole L. Achee, University of Notre Dame, U.S.A; Mike Osta, American University of Beirut, Lebanon; Nigel Beebe, University of Queensland, Australia; Hirotaka Kanuka, The Jikei University School of Medicine Tokyo, Japan; Deok Ho Kwon, Seoul National University, Korea; Charles Wondji, Liverpool School of Tropical Medicine, UK; Gong Cheng, Tsinghua University, China; Xiao-Guang Chen, Southern Medical University Guang Zhou, China. We would also like to thank Natassa Kampouraki and Filippia Strati, University of Crete, Biology Department for technical support.

Author Contributions

Conceptualization: JV MW LG.

Data curation: LG DP.

Formal analysis: LG DP PL.

Funding acquisition: JV MW.

Investigation: LG DP.

Methodology: LG PL.

Project administration: JV.

Resources: LG DP PL MW AC JV.

Software: LG PL.

Supervision: JV MW.

Validation: JV MW.

Visualization: LG PL.

Writing – original draft: JV MW LG PL.

Writing – review & editing: JV MW LG PL AC.

References

1. Paupy C, Delatte H, Bagny L, Corbel V, Fontenille D (2009) *Aedes albopictus*, an arbovirus vector: from the darkness to the light. *Microbes Infect* 11: 1177–1185. <https://doi.org/10.1016/j.micinf.2009.05.005> PMID: 19450706
2. Gratz NG (2004) Critical review of the vector status of *Aedes albopictus*. *Med Vet Entomol* 18: 215–227. <https://doi.org/10.1111/j.0269-283X.2004.00513.x> PMID: 15347388
3. Effler PV, Pang L, Kitsutani P, Vorndam V, Nakata M, et al. (2005) Dengue fever, Hawaii, 2001–2002. *Emerg Infect Dis* 11: 742–749. <https://doi.org/10.3201/eid1105.041063> PMID: 15890132
4. Leroy EM, Nkoghe D, Ollomo B, Nze-Nkoghe C, Becquart P, et al. (2009) Concurrent chikungunya and dengue virus infections during simultaneous outbreaks, Gabon, 2007. *Emerg Infect Dis* 15: 591–593. <https://doi.org/10.3201/eid1504.080664> PMID: 19331740
5. Kutsuna S, Kato Y, Moi ML, Kotaki A, Ota M, et al. (2015) Autochthonous dengue fever, Tokyo, Japan, 2014. *Emerg Infect Dis* 21: 517–520. <https://doi.org/10.3201/eid2103.141662> PMID: 25695200
6. Tsetsarkin KA, Vanlandingham DL, McGee CE, Higgs S (2007) A single mutation in chikungunya virus affects vector specificity and epidemic potential. *PLoS Pathog* 3: e201. <https://doi.org/10.1371/journal.ppat.0030201> PMID: 18069894
7. Watson R (2007) Europe witnesses first local transmission of chikungunya fever in Italy. *BMJ* 335: 532–533. <https://doi.org/10.1136/bmj.39332.708738.DB> PMID: 17855300
8. Grard G, Caron M, Mombo IM, Nkoghe D, Mboui Ondo S, et al. (2014) Zika virus in Gabon (Central Africa)—2007: a new threat from *Aedes albopictus*? *PLoS Negl Trop Dis* 8: e2681. <https://doi.org/10.1371/journal.pntd.0002681> PMID: 24516683
9. Bonizzoni M, Gasperi G, Chen XG, James AA (2013) The invasive mosquito species *Aedes albopictus*: current knowledge and future perspectives. *Trends in Parasitology* 29: 460–468. <https://doi.org/10.1016/j.pt.2013.07.003> PMID: 23916878
10. Benedict MQ, Levine RS, Hawley WA, Lounibos LP (2007) Spread of the tiger: global risk of invasion by the mosquito *Aedes albopictus*. *Vector Borne Zoonotic Dis* 7: 76–85. <https://doi.org/10.1089/vbz.2006.0562> PMID: 17417960
11. Moore CG, Mitchell CJ (1997) *Aedes albopictus* in the United States: ten-year presence and public health implications. *Emerg Infect Dis* 3: 329–334. <https://doi.org/10.3201/eid0303.970309> PMID: 9284377
12. Cornel AJ, Hunt RH (1991) *Aedes albopictus* in Africa? First records of live specimens in imported tires in Cape Town. *J Am Mosq Control Assoc* 7: 107–108. PMID: 2045799
13. CDC (2012) Dengue and the *Aedes albopictus* mosquito. <http://www.cdc.gov/dengue/resources/30Jan2012/albopictusfactsheetpdf>.
14. WHO (2009) Dengue: guidelines for diagnosis, treatment, prevention and control.
15. Lees RS, Gilles JRL, Hendrichs J, Vreysen MJB, Bourtzis K (2015) Back to the future: the sterile insect technique against mosquito disease vectors. *Current Opinion in Insect Science* 10: 156–162.
16. Bourtzis K, Dobson SL, Xi Z, Rasgon JL, Calvitti M, et al. (2014) Harnessing mosquito-Wolbachia symbiosis for vector and disease control. *Acta Trop* 132 Suppl: S150–163.
17. George L, Lenhart A, Toledo J, Lazaro A, Han WW, et al. (2015) Community-Effectiveness of Temephos for Dengue Vector Control: A Systematic Literature Review. *PLoS Negl Trop Dis* 9: e0004006. <https://doi.org/10.1371/journal.pntd.0004006> PMID: 26371470
18. Vontas J, Kioulos E, Pavlidi N, Morou E, della Torre A, et al. (2012) Insecticide resistance in the major dengue vectors *Aedes albopictus* and *Aedes aegypti*. *Pesticide Biochemistry and Physiology* 104: 126–131.
19. Ranson H, Burhani J, Lumjuan N, Black W (2010) Insecticide resistance in dengue vectors. *TropIKA.net*.
20. Grigoraki L, Lagnel J, Kioulos I, Kampouraki A, Morou E, et al. (2015) Transcriptome Profiling and Genetic Study Reveal Amplified Carboxylesterase Genes Implicated in Temephos Resistance, in the Asian Tiger Mosquito *Aedes albopictus*. *PLoS Negl Trop Dis* 9: e0003771. <https://doi.org/10.1371/journal.pntd.0003771> PMID: 26000638
21. Chen XG, Jiang X, Gu J, Xu M, Wu Y, et al. (2015) Genome sequence of the Asian Tiger mosquito, *Aedes albopictus*, reveals insights into its biology, genetics, and evolution. *Proc Natl Acad Sci U S A* 112: E5907–5915. <https://doi.org/10.1073/pnas.1516410112> PMID: 26483478
22. Poupardin R, Srisukontarat W, Yunta C, Ranson H (2014) Identification of Carboxylesterase Genes Implicated in Temephos Resistance in the Dengue Vector *Aedes Aegypti*. *Plos Neglected Tropical Diseases* 8.

23. Grigoraki L, Balabanidou V, Meristoudis C, Miridakis A, Ranson H, et al. (2016) Functional and immunohistochemical characterization of CCEae3a, a carboxylesterase associated with temephos resistance in the major arbovirus vectors *Aedes aegypti* and *Ae. albopictus*. *Insect Biochem Mol Biol* 74: 61–67. <https://doi.org/10.1016/j.ibmb.2016.05.007> PMID: 27180726
24. Field LM, Devonshire AL, Forde BG (1988) Molecular evidence that insecticide resistance in peach-potato aphids (*Myzus persicae* Sulz.) results from amplification of an esterase gene. *Biochem J* 251: 309–312. PMID: 3390158
25. Guillemaud T, Makate N, Raymond M, Hirst B, Callaghan A (1997) Esterase gene amplification in *Culex pipiens*. *Insect Molecular Biology* 6: 319–327. PMID: 9359574
26. Weill M, Berticat C, Raymond M, Chevillon C (2000) Quantitative polymerase chain reaction to estimate the number of amplified esterase genes in insecticide-resistant mosquitoes. *Anal Biochem* 285: 267–270. <https://doi.org/10.1006/abio.2000.4781> PMID: 11017713
27. Bass C, Field LM (2011) Gene amplification and insecticide resistance. *Pest Manag Sci* 67: 886–890. <https://doi.org/10.1002/ps.2189> PMID: 21538802
28. Raymond M, Berticat C, Weill M, Pasteur N, Chevillon C (2001) Insecticide resistance in the mosquito *Culex pipiens*: what have we learned about adaptation? *Genetica* 112–113: 287–296. PMID: 11838771
29. Qiao CL, Raymond M (1995) The same esterase B1 haplotype is amplified in insecticide-resistant mosquitoes of the *Culex pipiens* complex from the Americas and China. *Heredity (Edinb)* 74 (Pt 4): 339–345.
30. Raymond M, Callaghan A, Fort P, Pasteur N (1991) Worldwide Migration of Amplified Insecticide Resistance Genes in Mosquitos. *Nature* 350: 151–153. <https://doi.org/10.1038/350151a0> PMID: 2005964
31. Raymond M, Beyssat-Arnaouty V, Sivasubramanian N, Mouches C, Georghiou GP, et al. (1989) Amplification of various esterase B's responsible for organophosphate resistance in *Culex* mosquitoes. *Biochem Genet* 27: 417–423. PMID: 2559713
32. Guillemaud T, Rooker S, Pasteur N, Raymond M (1996) Testing the unique amplification event and the worldwide migration hypothesis of insecticide resistance genes with sequence data. *Heredity (Edinb)* 77 (Pt 5): 535–543.
33. Labbe P, Lenormand T, Raymond M (2005) On the worldwide spread of an insecticide resistance gene: a role for local selection. *J Evol Biol* 18: 1471–1484. <https://doi.org/10.1111/j.1420-9101.2005.00938.x> PMID: 16313460
34. Hemingway J (2000) The molecular basis of two contrasting metabolic mechanisms of insecticide resistance. *Insect Biochem Mol Biol* 30: 1009–1015. PMID: 10989287
35. Labbe P, Sidos N, Raymond M, Lenormand T (2009) Resistance Gene Replacement in the Mosquito *Culex pipiens*: Fitness Estimation From Long-Term Cline Series. *Genetics* 182: 303–312. <https://doi.org/10.1534/genetics.109.101444> PMID: 19293141
36. Ishak IH, Jaal Z, Ranson H, Wondji CS (2015) Contrasting patterns of insecticide resistance and knock-down resistance (*kdr*) in the dengue vectors *Aedes aegypti* and *Aedes albopictus* from Malaysia. *Parasites & Vectors* 8.
37. Navajas M, Lagnel J, Fauvel G, De Moraes G (1999) Sequence variation of ribosomal internal transcribed spacers (ITS) in commercially important phytoseiid mites. *Experimental and Applied Acarology* 23: 851–859. PMID: 10668860
38. Higa Y, Toma T, Tsuda Y, Miyagi I (2010) A multiplex PCR-based molecular identification of five morphologically related, medically important subgenus *Stegomyia* mosquitoes from the genus *Aedes* (Diptera: Culicidae) found in the Ryukyu Archipelago, Japan. *Jpn J Infect Dis* 63: 312–316. PMID: 20858995
39. Reynolds JA, Poelchau MF, Rahman Z, Armbruster PA, Denlinger DL (2012) Transcript profiling reveals mechanisms for lipid conservation during diapause in the mosquito, *Aedes albopictus*. *Journal of Insect Physiology* 58: 966–973. <https://doi.org/10.1016/j.jinsphys.2012.04.013> PMID: 22579567
40. Pfaffl MW (2001) A new mathematical model for relative quantification in real-time RT-PCR. *Nucleic Acids Research* 29.
41. Dereeper A, Guignon V, Blanc G, Audic S, Buffet S, et al. (2008) Phylogeny.fr: robust phylogenetic analysis for the non-specialist. *Nucleic Acids Res* 36: W465–469. <https://doi.org/10.1093/nar/gkn180> PMID: 18424797
42. Anisimova M, Gascuel O (2006) Approximate likelihood-ratio test for branches: A fast, accurate, and powerful alternative. *Syst Biol* 55: 539–552. <https://doi.org/10.1080/10635150600755453> PMID: 16785212
43. Chevenet F, Brun C, Banuls AL, Jacq B, Christen R (2006) TreeDyn: towards dynamic graphics and annotations for analyses of trees. *BMC Bioinformatics* 7: 439. <https://doi.org/10.1186/1471-2105-7-439> PMID: 17032440

44. Tamura K, Stecher G, Peterson D, Filipiński A, Kumar S (2013) MEGA6: Molecular Evolutionary Genetics Analysis version 6.0. *Mol Biol Evol* 30: 2725–2729. <https://doi.org/10.1093/molbev/mst197> PMID: [24132122](https://pubmed.ncbi.nlm.nih.gov/24132122/)
45. Manni M, Gomulski LM, Aketarawong N, Tait G, Scolari F, et al. (2015) Molecular markers for analyses of intraspecific genetic diversity in the Asian Tiger mosquito, *Aedes albopictus*. *Parasit Vectors* 8: 188. <https://doi.org/10.1186/s13071-015-0794-5> PMID: [25890257](https://pubmed.ncbi.nlm.nih.gov/25890257/)
46. Zhong D, Lo E, Hu R, Metzger ME, Cummings R, et al. (2013) Genetic analysis of invasive *Aedes albopictus* populations in Los Angeles County, California and its potential public health impact. *PLoS One* 8: e68586. <https://doi.org/10.1371/journal.pone.0068586> PMID: [23861921](https://pubmed.ncbi.nlm.nih.gov/23861921/)
47. Kamgang B, Ngoagouni C, Manirakiza A, Nakoune E, Paupy C, et al. (2013) Temporal patterns of abundance of *Aedes aegypti* and *Aedes albopictus* (Diptera: Culicidae) and mitochondrial DNA analysis of *Ae. albopictus* in the Central African Republic. *PLoS Negl Trop Dis* 7: e2590. <https://doi.org/10.1371/journal.pntd.0002590> PMID: [24349596](https://pubmed.ncbi.nlm.nih.gov/24349596/)
48. Rivet Y, Marquine M, Raymond M (1993) French mosquito populations invaded by A2-B2 esterases causing insecticide resistance. *Biological Journal of the Linnean Society* 49: 249–255.
49. Kolbe JJ, Gior RE, Schettino LRG, Lara AC, Larson A, et al. (2004) Genetic variation increases during biological invasion by a Cuban lizard. *Nature* 431: 177–181. <https://doi.org/10.1038/nature02807> PMID: [15356629](https://pubmed.ncbi.nlm.nih.gov/15356629/)
50. Mouches C, Pauplin Y, Agarwal M, Lemieux L, Herzog M, et al. (1990) Characterization of amplification core and esterase B1 gene responsible for insecticide resistance in *Culex*. *Proc Natl Acad Sci U S A* 87: 2574–2578. PMID: [2320576](https://pubmed.ncbi.nlm.nih.gov/2320576/)
51. Callaghan A, Guillemaud T, Makate N, Raymond M (1998) Polymorphisms and fluctuations in copy number of amplified esterase genes in *Culex pipiens* mosquitoes. *Insect Mol Biol* 7: 295–300. PMID: [9662480](https://pubmed.ncbi.nlm.nih.gov/9662480/)
52. Raymond M, Chevillon C, Guillemaud T, Lenormand T, Pasteur N (1998) An overview of the evolution of overproduced esterases in the mosquito *Culex pipiens*. *Philos Trans R Soc Lond B Biol Sci* 353: 1707–1711. <https://doi.org/10.1098/rstb.1998.0322> PMID: [10021771](https://pubmed.ncbi.nlm.nih.gov/10021771/)
53. Connelly CR, Carlson DB (2009) Florida Coordinating Council on Mosquito Control. Florida Mosquito Control: The state of the mission as defined by mosquito controllers, regulators, and environmental managers. University of Florida, Institute of Food and Agricultural Sciences, Florida Medical Entomology Laboratory.
54. Agency USEP Naled for Mosquito Control.
55. Rivero A, Magaud A, Nicot A, Vezilier J (2011) Energetic cost of insecticide resistance in *Culex pipiens* mosquitoes. *J Med Entomol* 48: 694–700. PMID: [21661333](https://pubmed.ncbi.nlm.nih.gov/21661333/)
56. Guillemaud T, Raymond M, Tsagkarakou A, Bernard C, Rochard P, et al. (1999) Quantitative variation and selection of esterase gene amplification in *Culex pipiens*. *Heredity (Edinb)* 83 (Pt 1): 87–99.
57. Milesi P, Lenormand T, Lagneau C, Weill M, Labbe P (2016) Relating fitness to long-term environmental variations in nature. *Mol Ecol* 25: 5483–5499. <https://doi.org/10.1111/mec.13855> PMID: [27662519](https://pubmed.ncbi.nlm.nih.gov/27662519/)
58. Smith LB, Kasai S, Scott JG (2016) Pyrethroid resistance in *Aedes aegypti* and *Aedes albopictus*: Important mosquito vectors of human diseases. *Pestic Biochem Physiol* 133: 1–12. <https://doi.org/10.1016/j.pestbp.2016.03.005> PMID: [27742355](https://pubmed.ncbi.nlm.nih.gov/27742355/)
59. Douris V, Steinbach D, Panteleri R, Livadaras I, Pickett JA, et al. (2016) A resistance mutation conserved between insects and mites unravels the benzoylurea insecticide mode of action on chitin biosynthesis PNAS-accepted.