



**HAL**  
open science

## Phase transfer between three visible lasers for coherent population trapping

Mathieu Collombon, Gaetan Hagel, Cyril Chatou, Didier Guyomarc'H, Didier Ferrand, Marie Houssin, Caroline Champenois, Martina Knoop

► **To cite this version:**

Mathieu Collombon, Gaetan Hagel, Cyril Chatou, Didier Guyomarc'H, Didier Ferrand, et al.. Phase transfer between three visible lasers for coherent population trapping. *Optics Letters*, 2019, 44 (4), pp.859-862. 10.1364/OL.44.000859 . hal-01936063v1

**HAL Id: hal-01936063**

**<https://hal.science/hal-01936063v1>**

Submitted on 27 Nov 2018 (v1), last revised 5 Feb 2019 (v2)

**HAL** is a multi-disciplinary open access archive for the deposit and dissemination of scientific research documents, whether they are published or not. The documents may come from teaching and research institutions in France or abroad, or from public or private research centers.

L'archive ouverte pluridisciplinaire **HAL**, est destinée au dépôt et à la diffusion de documents scientifiques de niveau recherche, publiés ou non, émanant des établissements d'enseignement et de recherche français ou étrangers, des laboratoires publics ou privés.

# Phase transfer between three visible lasers for coherent population trapping

Mathieu Collombon, Gaëtan Hagel, Cyril Chatou, Didier Guyomarc'h,  
Didier Ferrand, Marie Houssin, Caroline Champenois, and Martina Knoop\*  
*Aix-Marseille Université, CNRS, PIIM, UMR 7345, 13397 Marseille, France*

Stringent conditions on the phase relation of multiple photons are a prerequisite for novel protocols of high-resolution coherent spectroscopy. In a recent experiment we have implemented an interrogation process of a  $\text{Ca}^+$ -ion cloud based on three-photon coherent population trapping, with the potential to serve as a frequency reference in the THz-range. This high-resolution interrogation has been made possible by phase-locking both laser sources for cooling and repumping of the trapped ions to a clock laser at 729 nm by means of an optical frequency comb. The clock laser, a titanium-sapphire laser built in our lab locked onto its high-finesse cavities reaches a linewidth of a few Hertz and a frequency stability below  $10^{-14}$  at one second, performances which can be copied onto the two other sources. In this paper we discuss the performances of the phase-transfer between the three involved lasers via the optical frequency comb.

## I. INTRODUCTION

Since 1976 and the first observation of two-photon coherent population trapping (CPT) in sodium vapor [1], spectroscopy with dark states has known tremendous developments [2] and is nowadays well controlled, giving rise, for instance to advanced CPT clocks [3, 4] with short-term metrological performances in the  $3 \times 10^{-13} \tau^{-1/2}$  range. We have recently extended this powerful interrogation protocol to three different photons which has the additional advantage of allowing to implement Doppler-free configurations of the three involved wave-vectors [5], and explore new applications with large atomic ensembles. The application domain of these three-photon dark resonances is therefore even larger than for two photons, but the experimental implementation requires a fixed phase-relation between all involved laser sources, which is more challenging to achieve.

Actually, existing CPT protocols employ electro-optic modulation techniques of the output of a single laser in order to generate two sidebands with fixed phase relation. In our experiment, the three lasers used for interrogation are entirely independent sources and span a frequency range of 65 THz (729 nm, 794 nm, and 866 nm). With present EOM techniques, it is not possible to bridge this frequency gap. The potential use of a transfer cavity does not allow a large bandwidth fixed-phase transfer. We have therefore implemented a phase-lock via an optical frequency comb (OFC) which covers this wide frequency range [6, 7]. Indeed, OFCs have allowed to implement novel spectroscopy approaches by connecting optical frequencies to the microwave frequency range [8–11].

We have implemented the three-photon interrogation protocol that we had proposed [5] on a cloud of  $^{40}\text{Ca}^+$ -ion trapped in a linear radiofrequency trap [12]. These ions are laser-cooled on the  $4S_{1/2}$ - $4P_{1/2}$  resonance line at 397 nm, by a 794 nm frequency-doubled commercial

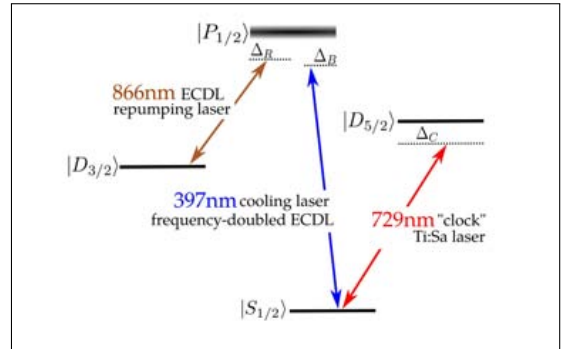


FIGURE 1: Energy level scheme of  $\text{Ca}^+$ -ions, ECDL : external cavity diode laser. The coherent superposition of states is accessed by a combination of the laser detunings  $\Delta_i$ .

diode laser (see Figure 1).  $\text{Ca}^+$ -ions need a repumper laser to avoid shelving in a long-lived D-state; in the present case, this is realised by a 866 nm external cavity diode laser resonant with the  $3D_{3/2}$ - $4P_{1/2}$  transition. An electric quadrupole transition links the ground state to the metastable D-doublet, and the independent clock transition  $4S_{1/2}$ - $3D_{5/2}$  at 729 nm has a natural linewidth below 1 Hz [13]. In order to excite this transition, we have built and characterized a narrow-linewidth, ultra-stable titanium-sapphire laser. Details of the atomic interrogation scheme are presented in [14].

In this manuscript we present the phase-transfer that we have realized by stabilizing the OFC onto the 729 nm clock laser, and then locking the lasers required for laser-cooling and repumping at 794 nm and 866 nm onto the OFC, thereby transferring the excellent performances of the clock laser to all other sources. We will start by describing the 729 nm laser, its set-up and its performances, as well as the offset-free frequency comb, and the way we have used and characterized it for the transfer lock. During these steps we have also taken care to check the absence of a carrier envelope offset of the OFC. Final performances of the implemented lock are independently evidenced by experimental results which we will present in conclusion.

\*Electronic address: martina.knoop@univ-amu.fr

## II. THE CLOCK LASER AT 729 NM

The clock laser is a titanium-sapphire ring laser developed and built in our laboratory, inspired by a previously developed model [15]. Pumped by a 5 W single mode laser at 532 nm it delivers about 400 mW of cw output power at 729 nm. Frequency controls can be applied via two intra-cavity mirrors mounted onto piezo-electrical transducers (PZT) for correction signal frequencies up to a few kHz while an intra-cavity electro-optic modulator (EOM) allows to implement corrections up to 700 kHz [16].

The laser output is split into two parts injected into two Fabry-Perot cavities of very high finesse ( $\mathcal{F}_1 = 140\,000$ ;  $\mathcal{F}_2 = 220\,000$ ) of 150 mm length. These cavities are made from ultra-low expansion glass (ULE [17]), they have been designed by us [18], and fabricated by a local company using mirrors of very high reflectivity [19] which we have optically contacted onto the spacer. In order to reduce their sensitivity to vibrations these cavities are mounted vertically [20], each set-up is additionally isolated from seismic noise by a passive vibration isolation platform (minusK). Each cavity is surrounded by three thermal shields of pure aluminium and mounted in a vacuum vessel. An active thermal isolation around the vessel allows to control the temperature to 10 mK, and it can be estimated that the temperature variation at the cavity is a factor of 1000 lower. All shielding and isolation layers have been chosen to reach an optimal stability for durations from 1 to 10 seconds which is the relevant timescale for feed-back from the interrogation of the ions.

The principal laser output is locked with a Pound-Drever-Hall (PDH) locking scheme [21], via its intra-cavity elements onto the cavity "ULE 2", which has the highest finesse, after double-pass in an acousto-optic modulator (AOM2) that shifts the laser frequency by  $2 \times 250$  MHz (see Figure 2). To characterize the frequency fluctuations of the laser, the second laser output is shifted by  $2 \times 130$  MHz by a second acousto-optic modulator (AOM1) and PDH-locked onto the cavity "ULE 1". As both outputs are locked onto two completely independent ULE cavities, we can consider them to be independent in the range of the bandwidth of the feedback loops (DC-700 kHz). The optical power injected into the cavities is locked onto a fixed reference value. Residual frequency fluctuations are analysed via the beatnote at 260 MHz between the two parts of the laser output (frequencies  $\nu_2, \nu_1$ ) (cf. inset of Figure 2).

From these measurements we can deduce that the laser at 729 nm has a spectral linewidth below 2 Hz, while its frequency stability as quantified by its Allan variance (with the -0.75 Hz/s drift between the two cavities removed), is inferior to  $1 \times 10^{-14}$  at one second. We have also tested a symmetrical set-up by locking the laser outputs ( $\nu_2, \nu_1$ ) onto the opposite cavities (ULE1, ULE2), which leads to identical results.

The major part of the laser power is injected through AOM3 into a single mode optical fibre of 150 m length in order to transport it to the OFC and the ion trap set-up

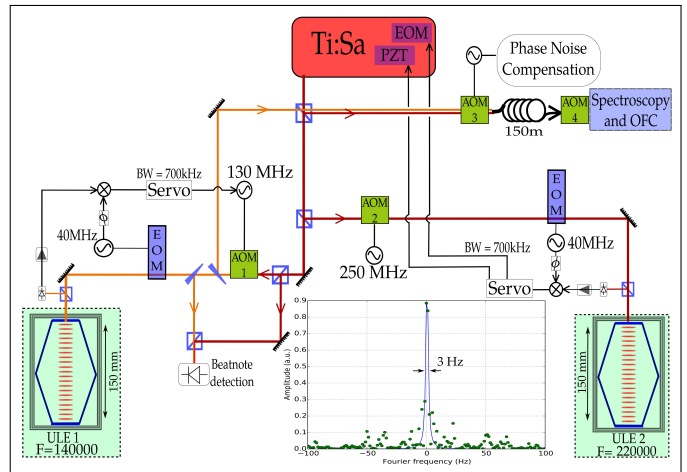


FIGURE 2: Locking scheme and experimental set-up of the 729 nm-laser. In order to distinguish the locking of both output arms (which differ by 260 MHz), laser output 1 is illustrated in brown, and output 2 in orange. Inset : Beatnote between the two laser arms exhibiting a Gaussian linewidth (FWHM) of 3 Hz with a resolution bandwidth of 1.5 Hz.

in a different lab. The length of this fibre makes phase-noise cancellations necessary, which is done with a standard method [22] with corrections applied onto AOM3, while AOM4 is used as a frequency discriminator for the round trip fibre noise detection.

## III. OPTICAL FREQUENCY COMB

For the implementation of the phase-lock between all three laser sources we have made use of an OFC which is offset-free by construction [23, 24] due to a difference frequency generation process. The OFC is based on a femtosecond laser at  $1.55 \mu\text{m}$ , more specifically an Erbium Doped Fiber Amplifier (EDFA) with a repetition rate of  $f_{rep} = 80$  MHz. Its output is spectrally broadened in a highly non-linear fibre (HNLF) until it covers a range of wavelengths from 850 to 2000 nm (first comb spectrum, *CSP1*). The  $N_{th}$  tooth of the generated frequency comb obeys the well known formula  $\nu_N = N \times f_{rep} + f_0$ , where  $f_{rep}$ , the laser's repetition rate is  $c/L$  with  $L$  the optical length of its cavity, and  $f_0$ , the carrier envelope offset due to dephasing between pulses. The high frequency and low frequency parts of the spectrum are separated using prisms and are subtracted in a non-linear crystal. The result of this difference frequency generation is a new spectrum *CSP2* centered around  $1.55 \mu\text{m}$  but without the offset  $f_0$ . The direct radiation from *CSP1* is mechanically blocked in the process of generation of *CSP2*. The spectrum of *CSP2* is amplified to generate 4 outputs : *S1* at 729 nm and *S2* at 794 nm by single-pass frequency-doubling, *S3* at 866 nm by down-conversion from *CSP2* in a HNLf, and *S4* at  $1.55 \mu\text{m}$ . This latter output is actually used to measure the repetition rate,  $f_{rep}$ . We have

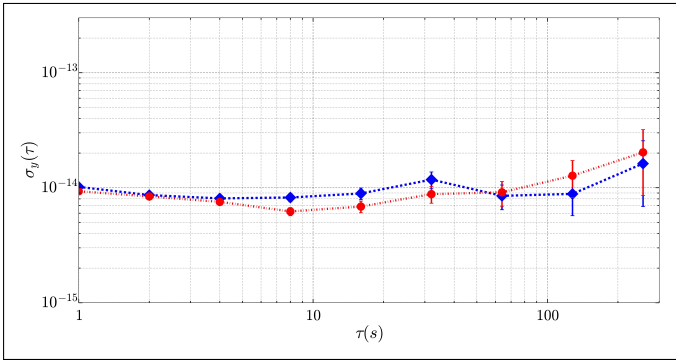


FIGURE 3: Allan deviation of the 12 MHz beatnote between comb mode  $N + 4$  and  $\nu_1$  (●) and the reference beatnote at 260 MHz (◇)

made cross-correlation noise measurements on the OFC showing that a floor of  $-120$  dB  $\text{rd}^2/\text{Hz}$  at 1 kHz from the 80 MHz carrier ( $f_{rep}$ ) can be reached [25].

### A. Transfer of frequency stability

The OFC can be operated with two different frequency references. Either we lock the  $10^{\text{th}}$  harmonic of  $f_{rep}$  onto a GPS-disciplined DOCXO, or we use the above described clock laser at 729 nm (411 THz) as a frequency reference. Since the DOCXO exhibits a fractional frequency stability of about  $10^{-12}$  at one second we make use of our local clock laser, which is at least two order of magnitude better on the same time scale.

When using the 729 nm-radiation as reference, the mode  $N = 5138050$  of the OFC is phase-locked onto the reference laser at frequency  $\nu_2$  with an offset of 48 MHz. The other beam of the reference laser at frequency  $\nu_1$  is also sent to the OFC (see fig. 2). Due to the frequency difference between ULE1 and ULE2 of  $\approx 260$  MHz, we observe a beatnote between the beam at  $\nu_1$  and the comb mode  $N + 4$ . This beatnote frequency is around 12 MHz and is used as diagnosis of the stability transfer operated by the comb between modes  $N$  and  $N + 4$ . Figure 3 shows the resulting fractional frequency stability of the 12 MHz beatnote (red circles) and of the direct beatnote between the two beams at  $\nu_1$  and  $\nu_2$  (blue diamonds), i.e. before the transfer by the 150 m-fibre. The comparison clearly shows that the frequency stability transfer between  $N$  and  $N + 4$  is well operated at the  $10^{-14}$  level (both datasets have been drift-corrected).

### B. Compatibility with the elastic tape model (ETM)

In the elastic tape model (ETM) [26], the comb spectrum can be visualized as an elastic tape which is marked with a scale of equidistant lines (the comb modes) and maintained on fixed points. In the case of an EDFA

frequency comb with offset, the fixed points depend on control parameters, which are in the present case the EDFA's pumping power or the cavity length tuned via a piezo-electric transducer (PZT). For an offset-free comb, the fixed points move to zero frequency.

We have modulated both control parameters within a range of different amplitudes, and the resulting output frequency modulations have been measured either a) directly at  $f_{rep}$  via  $S_4$ ; or b) at 866 nm via the beatnote of  $S_3$  with the available repumping laser; c) at 729 nm via a beatnote of  $S_1$  with the laser described in the first part of this paper II, and d) at 794 nm through a beatnote with the 794 nm laser.

For each modulation and each frequency we have recorded the output response of  $CSP1$  and  $CSP2$ . In normal operation  $CSP1$  is mechanically blocked in the set-up of the OFC. For the results of Figure 4 we have slightly changed the optical alignment of the OFC, in order to be able to access  $CSP1$  and  $CSP2$  at the same time. The results of the measurements are expressed in terms of  $(\Delta\nu_N/N \times \Delta f_{rep}) - 1$  which is equal to :

$$\frac{\Delta f_0}{N \times \Delta f_{rep}} \quad (1)$$

Following the ETM, the comb spectrum obtained after DFG ( $CSP2$ ) is consistent with fixed points at the frequency origin for any type of modulation. From this behaviour we deduce the absence of carrier-envelope offset. This reasoning is confirmed by the results concerning

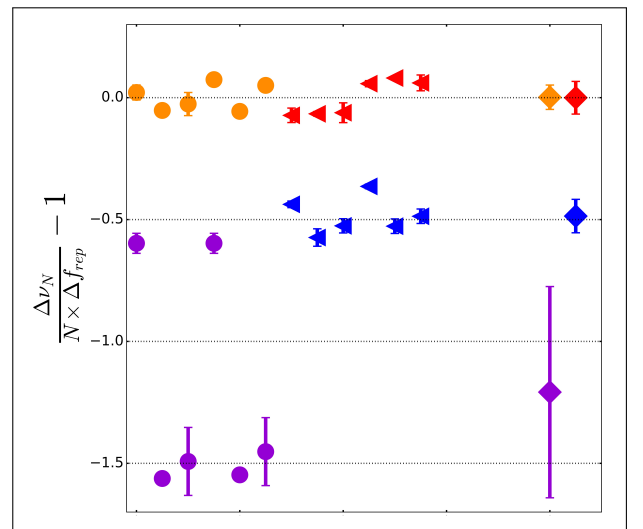


FIGURE 4: This figure synthesizes the various measurements made to distinguish  $CSP1$  and  $CSP2$ . The upper part of the figure contains values corresponding to  $CSP2$ , and it can be clearly seen, that the offset values are consistent with zero, while the lower part of this figure shows measurements carried out on  $CSP1$ , which are no integer values of  $f_{rep}$ , indicating the existence of an  $f_0$ -value different from zero. Modulation has been made either via the EDFA's pump power (●) or the PZT (◀). The ◇ on the right-hand side of the graph are the averages of each type of modulation.

(*CSP1*), where we clearly see that a different  $\Delta f_0$  is measured depending on the modulation processes, signature of a non-null  $f_0$ . These results confirm previous phase noise measurements for this type of OFC [27]. Each frequency of the comb obeys  $\nu_N = N \times f_{rep}$  and we can assume that the frequency stability transfer from comb tooth  $N$  to tooth  $N+4$  can be extended to all teeth of the OFC.

#### IV. TRANSFER LOCKING SCHEME

Lasers at 794 nm and 866 nm are phase-locked onto the OFC outputs *S2* and *S3*. The relative frequency difference of each of these lasers and the nearest comb tooth is controlled by a GPS-disciplined synthesizer (with a resolution of 0.1 Hz). Using this method both lasers can be tuned in resonance with the atomic transitions for the CPT experiment.

Previous literature mentions a loss in coherence for the low-wavelength part of an OFC spectrum in the case of a supercontinuum generated by a HNLF fiber [28, 29]. Given that the OFC spectrum undergoes various broadening mechanisms in highly nonlinear fibers from its creation in the EDFA until its output towards the trapped ions, we cannot take the phase-coherence of all OFC modes for granted in our experiment.

Fortunately, our CPT interrogation can give an independent analysis on the spectral linewidths and the degree of coherence of the laser-cooling and repumper laser. Figure 5 illustrates a recorded 3-photon dark resonance for the case where all lasers are phase-locked via the OFC referenced to the clock laser. The contrast of the presented line is 21% and its linewidth is 51 kHz limited by residual Doppler broadening and magnetic field fluctuations.

Previous work [30] on laser beams originating from the same source could demonstrate a transfer of phase characteristics to better than 10 kHz in the infrared domain. In the present set-up with three completely independent sources we can reach the same order of magnitude for wavelengths situated in the near-infrared region, and covering a very large frequency span, which is an extremely promising result for future experiments.

#### V. CONCLUSION

Novel multi-photon spectroscopy protocols require a high control of all excitation lasers, and we have demon-

strated in this work the phase-lock of three very different lasers via an offset-free OFC. Our measurements have allowed to monitor the absence of a carrier envelope offset of the OFC, different comb modes show identical frequency stability and no loss in coherence. To the best of our knowledge, this is the first time that multiple independent lasers in a frequency range of more than 65 THz are phase-locked for a spectroscopy experiment. We are

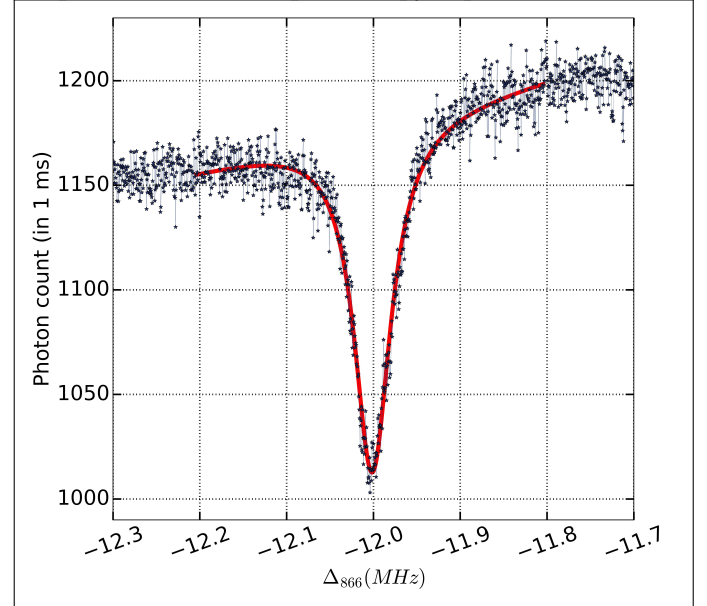


FIGURE 5: Three photon CPT dark resonance with 794 nm and 866 nm lasers locked on the OFC referenced to the clock laser at 729 nm. The contrast of the line is 21% and its linewidth is 51 kHz.

convicted that this technique will allow novel routes and interrogation protocols not only in coherent population trapping.

#### Funding information

This work has been carried out thanks to the support of the A\*MIDEX project (n° ANR-11-IDEX-0001-02), EquipEx Refimeve+ (n° ANR-11-EQPX-0039), and Labex First-TF (n° ANR-10-LABX-48-01), all funded by the "Investissements d'Avenir" French Government program, managed by the French National Research Agency (ANR).

- 
- [1] G. Alzetta, A. Gozzini, L. Moi, and G. Orriols, *Il Nuovo Cimento B* (1971-1996) **36**, 5 (1976), ISSN 1826-9877, URL <https://doi.org/10.1007/BF02749417>.  
 [2] R. Wynands and A. Nagel, *Applied Physics B* **68**, 1 (1999), ISSN 1432-0649, URL <https://doi.org/10.1007/s003400050581>.

- [3] J. Vanier, *Applied Physics B* **81**, 421 (2005), ISSN 1432-0649, URL <https://doi.org/10.1007/s00340-005-1905-3>.  
 [4] M. Abdel Hafiz, G. Coget, M. Petersen, C. Rocher,

- S. Guérandel, T. Zanon-Willette, E. de Clercq, and R. Boudot, *Physical Review Applied* **9** (2018), ISSN 2331-7019, URL <https://link.aps.org/doi/10.1103/PhysRevApplied.9.064002>.
- [5] C. Champenois, G. Hagel, M. Houssin, M. Knoop, C. Zumsteg, and F. Vedel, *Phys. Rev. Lett.* **99**, 013001 (2007).
- [6] T. Hänsch, *Reviews of Modern Physics* **78**, 1297 (2006), ISSN 0034-6861, 1539-0756, URL <http://link.aps.org/doi/10.1103/RevModPhys.78.1297>.
- [7] J. Hall, *Reviews of Modern Physics* **78**, 1279 (2006), ISSN 0034-6861, 1539-0756, URL <http://link.aps.org/doi/10.1103/RevModPhys.78.1279>.
- [8] J. Stenger, H. Schnatz, C. Tamm, and H. R. Telle, *Phys. Rev. Lett.* **88**, 073601 (2002).
- [9] D. Nicolodi, B. Argence, W. Zhang, R. Le Targat, G. Santarelli, and Y. Le Coq, *Nature Photonics* **8**, 219 (2014), ISSN 1749-4885, 1749-4893, URL <http://www.nature.com/doi/10.1038/nphoton.2013.361>.
- [10] C. Solaro, S. Meyer, K. Fisher, M. V. DePalatis, and M. Drewsen, *Phys. Rev. Lett.* **120**, 253601 (2018), URL <https://link.aps.org/doi/10.1103/PhysRevLett.120.253601>.
- [11] S. Galtier, R. K. Altmann, L. S. Dreissen, and K. S. E. Eikema, *Applied Physics B* **123** (2017), ISSN 0946-2171, 1432-0649, URL <http://link.springer.com/10.1007/s00340-016-6584-8>.
- [12] C. Champenois, J. Pedregosa-Gutierrez, M. Marcianti, D. Guyomarc'h, M. Houssin, and M. Knoop, in *AIP Conference Proceedings* (American Institute of Physics, 2013), vol. 1521, pp. 210–219, URL <http://scitation.aip.org/content/aip/proceeding/aipcp/10.1063/1.4796077>.
- [13] M. Knoop, C. Champenois, G. Hagel, M. Houssin, C. Lisowski, M. Vedel, and F. Vedel, *Eur. Phys. J. D* **29**, 163 (2004).
- [14] M. Collombon, C. Chatou, M. Marchenay, G. Hagel, M. Houssin, M. Knoop, and C. Champenois, to be submitted, November 2018 (2018).
- [15] S. Bourzeix, M. D. Plimmer, F. Nez, L. Julien, and F. Biraben, *Optics Communications* **99**, 89 (1993).
- [16] C. Zumsteg, G. Hagel, C. Champenois, D. Guyomarc'h, M. Houssin, M. Knoop, M. Vedel, F. Vedel, and P. Dube, in *2007 IEEE International Frequency Control Symposium Joint with the 21st European Frequency and Time Forum* (2007), pp. 123–127, ISSN 2327-1914.
- [17] Corning technical notice.
- [18] D. Guyomarc'h, G. Hagel, C. Zumsteg, and M. Knoop, *Phys. Rev. A* **80**, 063802 (2009).
- [19] ATFilms, Boulder/CO.
- [20] M. Notcutt, L. Ma, J. Ye, and J. Hall, *Opt. Lett.* **30**, 1815 (2005).
- [21] R. Drever, J. Hall, F. Kowalski, J. Hough, G. Ford, A. Munley, and H. Ward, *Appl. Phys. B* **31**, 97 (1983).
- [22] L. S. Ma and J. L. Hall, *IEEE J. Quant. Electr.* **26**, 2006 (1990).
- [23] M. Zimmermann, C. Gohle, R. Holzwarth, T. Udem, and T. W. Hänsch, *Opt. Lett.* **29**, 310 (2004), URL <http://ol.osa.org/abstract.cfm?URI=ol-29-3-310>.
- [24] G. Krauss, D. Fehrenbacher, D. Brida, C. Riek, A. Sell, R. Huber, and A. Leitenstorfer, *Optics letters* **36**, 540 (2011), URL <http://www.opticsinfobase.org/abstract.cfm?uri=ol-36-4-540>.
- [25] R. Khayatzadeh, M. Collombon, D. Guyomarc'h, D. Ferland, G. Hagel, M. Houssin, O. Morizot, C. Champenois, and M. Knoop, *IEEE Photonics Technology Letters* **29**, 322 (2017), ISSN 1041-1135, 1941-0174, URL <http://ieeexplore.ieee.org/document/7805272/>.
- [26] H. Telle, B. Lipphardt, and J. Stenger, *Applied Physics B : Lasers and Optics* **74**, 1 (2002), ISSN 0946-2171, 1432-0649, URL <http://link.springer.com/10.1007/s003400100735>.
- [27] T. Puppe, A. Sell, R. Kliese, N. Hoghooghi, A. Zach, and W. Kaenders, *Opt. Lett.* **41**, 1877 (2016).
- [28] M. Nakazawa, K. Tamura, H. Kubota, and E. Yoshida, *Optical Fiber Technology* **4**, 215 (1998), ISSN 1068-5200, URL <http://www.sciencedirect.com/science/article/pii/S106852009890253X>.
- [29] J. M. Dudley, G. Genty, and S. Coen, *Reviews of Modern Physics* **78**, 1135 (2006), URL <https://link.aps.org/doi/10.1103/RevModPhys.78.1135>.
- [30] N. Chiodo, F. Du-Burck, J. Hrabina, M. Lours, E. Chea, and O. Acef, *Opt. Lett.* **39**, 2936 (2014), URL <http://ol.osa.org/abstract.cfm?URI=ol-39-10-2936>.