



HAL
open science

ENERGY VALORIZATION OF GRASSES BY DRY PROCESS

Ahmed Wahrani Khirech, J.F. Largeau, Mohand Tazerout

► **To cite this version:**

Ahmed Wahrani Khirech, J.F. Largeau, Mohand Tazerout. ENERGY VALORIZATION OF GRASSES BY DRY PROCESS. WasteEng - Conference on Engineering for Waste and Biomass Valorisation, Jul 2018, prague, Czech Republic. hal-01927075

HAL Id: hal-01927075

<https://hal.science/hal-01927075>

Submitted on 19 Nov 2018

HAL is a multi-disciplinary open access archive for the deposit and dissemination of scientific research documents, whether they are published or not. The documents may come from teaching and research institutions in France or abroad, or from public or private research centers.

L'archive ouverte pluridisciplinaire **HAL**, est destinée au dépôt et à la diffusion de documents scientifiques de niveau recherche, publiés ou non, émanant des établissements d'enseignement et de recherche français ou étrangers, des laboratoires publics ou privés.

Energy Valorisation of Grasses by Dry Process



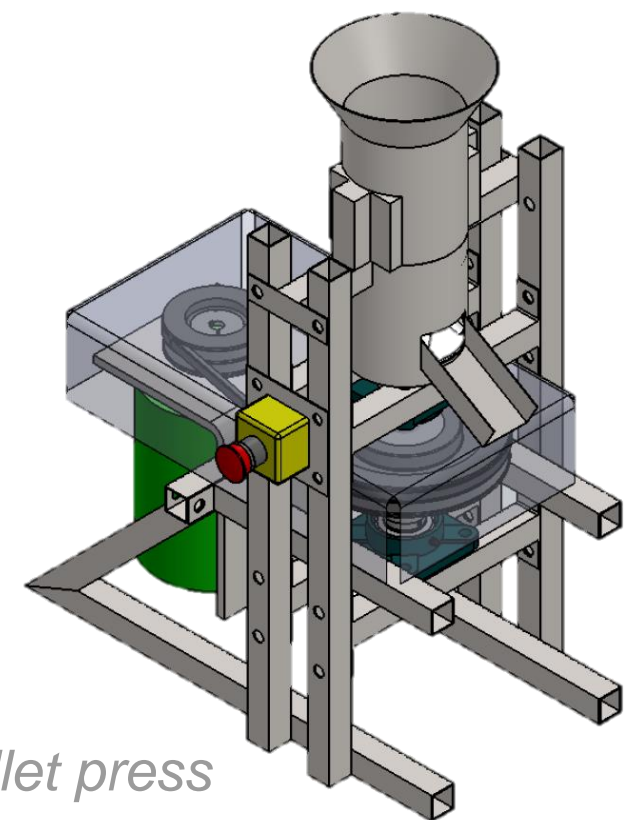
Grass clippings

1- Context and aims

- ▶ **A waste** : mainly in Europe grass clippings represent a residues and so cost for disposing.
- ▶ **Conventional valorisation** : leave on lawn, compost or in anaerobic digestion
- ▶ **Aim of the work** : study others ways for energy valorisation by dry processes:
Biomass energy (energy storage) and fuel&char by pyrolysis

2- Challenges :

- ▶ Process for energy storage: dry&shape process
 - **Stabilization of biomass** (short time decomposition <48h) due to the high level of moisture (50-80%)
 - **Obtain a useful shape** : grass clippings have not a helpful shape for storage or process
- ▶ **Best Energy carriers** by dry process : biomass energy VS fuel (gas/liquid) and char
- ▶ **Economic** : low-cost process in energy point of view (energy balance)



Pellet press

3a- Materials and methods - Process for energy storage -

- ▶ **Shredders** : improve the moisture diffusion
- ▶ **Pellet** : pellet press developed by Icam (Ø 6mm, L≈15mm)
- ▶ **Log** : hydraulic press logs of grass + starch or paper (Ø 50mm, L=150mm)
- ▶ **Drying** : ambient air/ tower with forced ventilation

3b- Materials and methods - Energy valorisation -

- ▶ Calorimetric bomb : PARR model 6200
- ▶ TGA system : SETARAM Setsys-Evo
- ▶ Pyrolyser : batch process developed by Icam
- ▶ Kinetic method : Arrhenius law with FWO model

$$K(T) = A \exp\left(\frac{-E_a}{RT}\right)$$



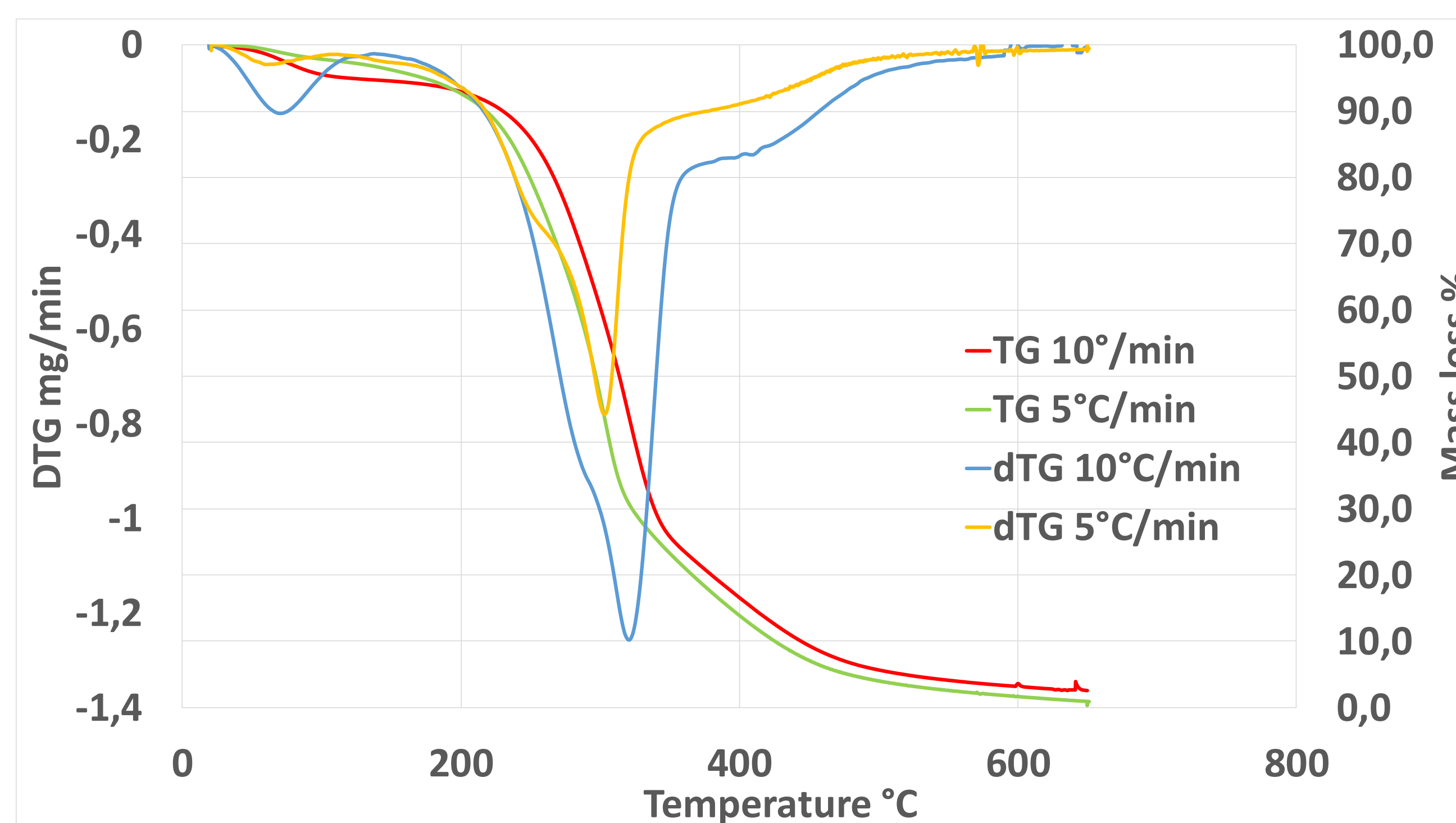
Log of grass



Grass pellets

4a- Results - Biomass characteristics, energy potential -

- ▶ **Efficiency** : Ratio between thermal energy of log/pellet prod and energy spent and >15
- ▶ **Mechanic handling** : ok with/without starch, ok with paper (if paper < 4%wt)



Some TGA results

	Grass - this study -	Herbs residues Guo&Al	Douglas wood
%H	50-80	N/A	N/A
LHV (kWh)	4,6	N/A	5,5
C wt%	74	42	48,1
H wt%	6,6	6,2	5,5
O wt%	17,5	47,4	45,8
N wt%	0,4	1,86	0,4
S wt%	1,5	0,15	0
H/C	0,09	0,15	0,11
O/C	0,24	1,13	0,95
Ashes (%)	7,0	10,8	0,25

4b- Results : TGA & kinetic results

- ▶ **TGA** : 3 degradation steps :
200°C to 290°C (a part of) hemicellulose
300°C to 360°C hemicellulose + cellulose
360°C to 600°C lignin

▶ Kinetic coefficients

	Grass -this study-	Herbs residues Guo&Al
A [s ⁻¹]	1,06E+06	1,00E+06
Ea [J/mol]	146	105-130

- ▶ Slow pyrolysis at 600°C :
Yields: 69% char, 21%liquid,10%gas

5- Conclusions and Perspectives

- ▶ **Dry&shape process** defined to stabilize, store and handling for energy storage (thermal energy)
- ▶ **Kinetic degradation studied** : parameters for dry process valorization identified
- ▶ Work in progress : identification of conversion potential into fuel and char by **pyrolysis**

Guo, F., Dong, Y., Lv, Z., Fan, P., Yang, S., and Dong, L. (2015). Pyrolysis kinetics of biomass (herb residue) under isothermal condition in a micro fluidized bed. *Energy Convers. Manag.* 93, 367–376.

Authors

Ahmed WAHRANI KHIRECH

Jean-François LARGEAU

Mohand TAZEROUT

CNRS Joint Unit GEPEA
Department of Energy
Systems and Environment
IMT Atlantique
4 rue Alfred-Kastler BP
20722, 44307 Nantes,
France

Contact



jean-francois.
largeau@icam.fr

Partners



Keywords

Grass clippings
Energy storage
Energy valorisation
Kinetic coefficient
Pyrolysis