



**HAL**  
open science

# Thermal transport in two- and three-dimensional nanowire networks

Maxime Verdier, David Lacroix, Konstantinos Termentzidis

► **To cite this version:**

Maxime Verdier, David Lacroix, Konstantinos Termentzidis. Thermal transport in two- and three-dimensional nanowire networks. *Physical Review B: Condensed Matter and Materials Physics* (1998-2015), 2018, 98 (15), 10.1103/PhysRevB.98.155434 . hal-01914520

**HAL Id: hal-01914520**

**<https://hal.science/hal-01914520>**

Submitted on 18 Dec 2023

**HAL** is a multi-disciplinary open access archive for the deposit and dissemination of scientific research documents, whether they are published or not. The documents may come from teaching and research institutions in France or abroad, or from public or private research centers.

L'archive ouverte pluridisciplinaire **HAL**, est destinée au dépôt et à la diffusion de documents scientifiques de niveau recherche, publiés ou non, émanant des établissements d'enseignement et de recherche français ou étrangers, des laboratoires publics ou privés.

# Thermal transport in 2D and 3D nanowire networks

Maxime Verdier<sup>1</sup>, David Lacroix<sup>1</sup>, and Konstantinos Termentzidis<sup>2\*</sup>

<sup>1</sup> *Université de Lorraine, LEMTA UMR 7563, 54505 Vandoeuvre les Nancy, France*

<sup>2</sup> *Univ Lyon, CNRS, INSA-Lyon, Université Claude Bernard Lyon 1, CETHIL UMR5008, F-69621, Villeurbanne, France*

(Dated: 2 February, 2018)

We report on thermal transport properties in 2 and 3 dimensions interconnected nanowire networks (strings and nodes). The thermal conductivity of these nanostructures decreases in increasing the distance of the nodes, reaching ultra-low values. This effect is much more pronounced in 3D networks due to increased porosity, surface to volume ratio and the enhanced backscattering at 3D nodes compared to 2D nodes. We propose a model to estimate the thermal resistance related to the 2D and 3D interconnections in order to provide an analytic description of thermal conductivity of such nanowire networks; the latter is in good agreement with Molecular Dynamic results.

New innovating and highly sophisticated architected nanostructures are now feasible with the rapid evolution of the elaboration methods [1–4]. Among them 2D and 3D networks of nanowires are a new class of nanostructured materials with interesting mechanical, optical, electronic and thermal properties. 2D networks are proposed as optoelectronic or biological devices and sensors due to their mechanical strength and flexibility [4]. Furthermore, 2D or 3D ordered or disordered networks could be useful for complex integrated nanoelectronic circuits [5]. Independently of their application, their main characteristics are the extremely low mass density, the high surface to volume ratio as well as high porosity and their remarkable mechanical properties. In the literature, 3D networks have been elaborated during the last decade at the nanoscale with several different materials (silver [6], manganese dioxide [7] or silicon [8, 9]).

There are three main fields of applications for silicon nanowire (NW) networks and nanomeshes. (i) Thermoelectricity (TE): The huge porosity and surface-to-volume ratio of such nanostructures reduce strongly their lattice thermal conductivity (TC), making Si NW networks promising candidate for TE applications [10–13]. (ii) Transistors: These systems can be easily integrated in nanoelectronic devices (Si compatible) and could be the next generation of transistors thanks to their high density of nanowire interconnections [14–16]. (iii) Catalysis: Nanowire networks are interesting for catalysis applications because of their large surface-to-volume ratio that allows improved efficiency of chemical reactions. Furthermore, their strong mechanical robustness as compared to isolated nanowires or nanoparticles make them interesting candidates to practically achieved all these innovative applications [1, 17].

Concerning the thermal properties of nanostructures, they have attracted high attention for various applications in the fields of microelectronics, optoelectronics and energy harvesting. Nanoscale heat transfer is known to diverge from classical physics [18], especially in semi-

conductors where heat is mostly carried by lattice vibrations (phonons). Interestingly, nano-structuration usually reduces the TC due to boundary scattering while the electrical properties could be preserved [19]. The design of nanostructured materials with ultra low TC beating sometimes the amorphous limit while keeping large crystalline fraction is now possible [20, 21].

In this work, we focus on a specific architected nanostructure which consists of interconnected nanowires with square cross-section forming a 2D or 3D network. The 2D networks (or nanomeshes) have been studied in the last decade mainly due to their low TC but also as nanostructures in which coherent effects might be observed [10, 22]. Contrarily to 2D networks, thermal properties of 3D NW networks have not been investigated yet. In this work, a systematic study of their heat transport properties, depending on their geometry and their dimensionality (2D or 3D), is conducted by means of Molecular Dynamics (MD) simulations. For the 2D networks, the TC is computed in the in-plane direction. The nanowires have a square cross section with dimensions  $d \times d$  and they are interconnected with  $90^\circ$  angle (fig. 1). Details of the simulation methodology are given in Appendix A.

First, the effect of the period  $a$  (the distance between two nodes centers) on thermal conduction is investigated. The cross section of the nanowires is set to  $2.715 \times 2.715$  nm ( $5 a_0 \times 5 a_0$ ). The TC  $\kappa$  of 2D and 3D nanowire networks is depicted in fig 2a as a function of the period. The TC decreases when the distance between nodes increases. This can be understood in terms of porosity ( $\phi$ ) and surface-to-volume ratio, which both increase upon increasing the period. Phonon boundary scattering occurs more often and thermal transport through the structure is hindered, especially for large periods. The reduction of TC as compared to the bulk ( $\kappa_{bulk} \simeq 150$  W m<sup>-1</sup> K<sup>-1</sup> at 300 K [23, 24]) can reach three or four orders of magnitude in 2D and 3D networks, respectively. This means that TC of these structures can be well below the amorphous limit ( $\kappa_{amorphous} \simeq 1.5$  W m<sup>-1</sup> K<sup>-1</sup> at 300 K [25]). Such low values seem surprising but can be explained by the extremely high porosity, which reaches 81% for 2D net-

\* Konstantinos.Termentzidis@insa-lyon.fr

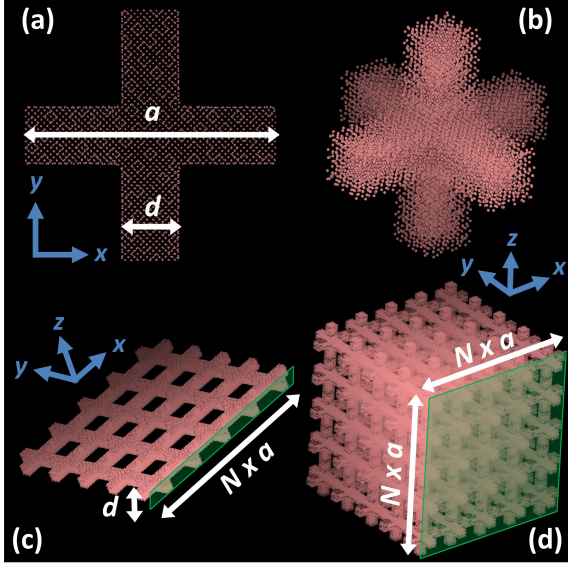


FIG. 1. Visualization of Molecular Dynamics systems of 2D and 3D nanowire networks. Simulation cell containing one node for (a) 2D and (b) 3D networks. (c) and (d): Representation of global modeled systems thanks to periodic boundary conditions. The green surfaces represent the total cross section of each system when considering the TC in the direction perpendicular to these surfaces.

works and 97% for 3D networks studied here. Moreover, the  $S/V$  ratio is very large and phonon mean free path is drastically reduced [26, 27]. All networks have a lower TC than a single nanowire of same cross section  $d \times d$ , for which  $\kappa$  is found to be about  $11 \text{ W m}^{-1} \text{ K}^{-1}$  with MD.

In order to distinguish the effects of porosity and nano-structuration on thermal transport, the effective thermal conductivity  $\kappa^*$  for an equivalent non-porous medium has been computed for the systems with  $d = 2.715 \text{ nm}$  and different periods. The TC obtained with MD simulations can be written as

$$\kappa = \kappa_{bulk} f^* f(\phi) \quad (1)$$

with  $f(\phi)$  the correction factor representing the reduction of the TC due to the porosity, and  $f^*$  the factor accounting for nano-structuration effects (phonon backscattering at free surfaces, coherent effects, etc) that depends on several parameters as the  $S/V$  ratio. The effective TC is defined as  $\kappa^* = \kappa_{bulk} f^*$ . Thus, the effect of the porosity does not appear in the effective TC and the reduction of  $\kappa^*$  is only due to the nanostructuration.  $f(\phi)$  is taken from the Maxwell-Garnett Effective Medium Model (EMM) [22]:

$$f(\phi) = (1 - \phi)/(1 + \phi) \quad (2)$$

Thus, the effective TC can be calculated from the value given by Molecular Dynamics with  $\kappa^* = \kappa/f(\phi) = \kappa(1 + \phi)/(1 - \phi)$ .

The effective TC goes from 3.8 to  $6.6 \text{ W m}^{-1} \text{ K}^{-1}$  for 2D networks and 2.7 to  $3.6 \text{ W m}^{-1} \text{ K}^{-1}$  for 3D net-

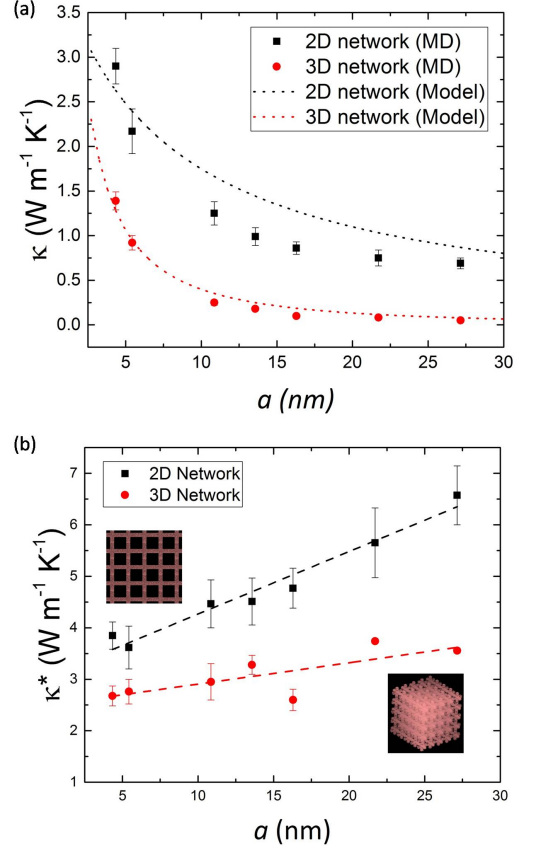


FIG. 2. Thermal conductivity of 2D and 3D nanowire networks as a function of period with a constant nanowire diameter  $d = 2.715 \text{ nm}$  at room temperature. (a) Thermal conductivity  $\kappa$  obtained from EMD simulations, comparison with the thermal resistance model (eq. and ). (b) Thermal conductivity corresponding to an equivalent non-porous medium ( $\kappa^* = \kappa(1 + \phi)/(1 - \phi)$ ).

works as  $a$  goes from 4 to 27 nm (fig. 2b), which seem reasonable given the huge  $S/V$  ratios. In contrast with the behavior of the TC  $\kappa$ , it is found for both 2D and 3D systems that  $\kappa^*$  slightly increases when the period increases, as expected from ref [22] due to less impact of backscattering at the nodes. Thus, the decrease of  $\kappa$  when increasing the period is mainly due to the growing porosity.

In spite of the increasing  $S/V$  ratio which should lead to more phonon scattering,  $\kappa^*$  increases with the period [22]. When considering one direction of measurement (direction of the heat flux), phonon scattering on the nanowires walls are not always resistive to heat transport. In nanowires parallel to the direction of interest, if scattering is fully diffuse, there is only 50% chance for each scattered phonon to go back (backscattering); while at the crossings with the perpendicular nanowires, which do not contribute to heat transport in the direction of measurement, phonons colliding with the walls are necessarily scattered backward. Moreover, it has been shown that free surfaces modeled in Molecular Dynamics have a great specularly, even at room temperature [28]. In

the case of fully specular walls, nanowires parallel to the heat flux are supposed not to be resistive at all, while perpendicular nanowires would lead to 100% of back-scattering. Thus, the nodes hinder the TC more than the intrinsic thermal resistance of the nanowires. Increasing the period, the nodes move away from each others and there is less resistance to thermal transport, even if there is more scattering surface in the system. Thus,  $\kappa^*$  increases with the period. However, for very long periods, not considered here, the effective TC shall reach saturation to the TC of a single nanowire with cross section  $d \times d$  ( $\sim 11 \text{ W m}^{-1} \text{ K}^{-1}$ ). For 3D networks, there are more phonon reflections at nodes than in 2D networks, this explains the lower effective TC in 3D networks.

The impact of the diameter of the nanowires on thermal transport has also been investigated. In fig. 3 is depicted the TC  $\kappa$  of 2D and 3D nanowire networks with a constant period  $a = 21.72 \text{ nm}$  as a function of the nanowires dimension  $d$ . Obviously, increasing the cross section of the nanowires, thermal transport is enhanced. Decreasing the diameter, the TC of 2D networks drops below the amorphous limit while porosity varies from 60 to 85%. For 3D structures,  $\kappa$  is less than  $1 \text{ W m}^{-1} \text{ K}^{-1}$  for all diameters, and the porosity is between 87 and 98%. For  $d \simeq 5 \text{ nm}$ , the TC of the 3D network is divided by 300 as compared to the bulk. These dimensions can already be reached with current fabrication methods for  $\text{MnO}_2$  nanowire networks [7]. Finally, we notice that the diameter dependent TC of 2D networks increases with  $d^2$  while 3D networks follow a  $d^3$  law. This observation is valid when  $d$  is small compared to the period. When  $d$  tends toward  $a$ , the TC of 2D and 3D systems are expected to reach the values of a nanofilm of thickness  $d$  ( $\kappa \simeq 23 \text{ W m}^{-1} \text{ K}^{-1}$ ) and of bulk silicon ( $\kappa \simeq 160 \text{ W m}^{-1} \text{ K}^{-1}$ ), respectively.

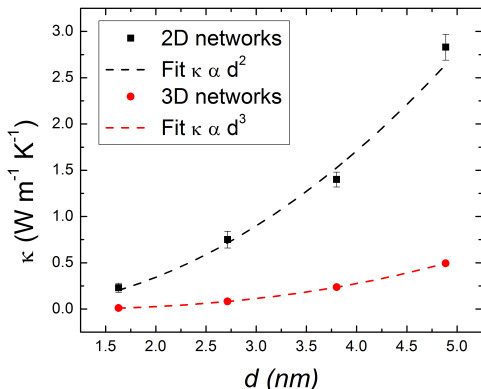


FIG. 3. Thermal conductivity of 2D and 3D nanowire networks as a function of nanowire diameter for a constant period  $a = 21.72 \text{ nm}$  and at  $T = 300 \text{ K}$ .

Interestingly, heat conduction is always hindered further in 3D network than in 2D network, even for a same  $S/V$  ratio (TC as a function of  $S/V$  is plotted in Ap-

pendix B). For example, for  $S/V \simeq 1.41 \text{ nm}^{-1}$  the TC is about  $0.8 \text{ W m}^{-1} \text{ K}^{-1}$  in 2D networks and less than  $0.1 \text{ W m}^{-1} \text{ K}^{-1}$  in 3D networks). This observation is even valid when considering  $\kappa^*$  ( $\kappa_{2D}^* \simeq 4.8 \text{ W m}^{-1} \text{ K}^{-1}$  and  $\kappa_{3D}^* \simeq 3.7 \text{ W m}^{-1} \text{ K}^{-1}$  at the same  $S/V \simeq 1.41 \text{ nm}^{-1}$ ). This phenomenon is counter-intuitive, as reduction of the dimensionality usually leads to lower TC.

To explain the lower thermal transport in 3D structures, a model based on the use of thermal resistances has been developed. The derivation of this model is given in Appendix C to this work and results in the following expressions for the TC:

$$\kappa^{2D} = \frac{1}{d(R_{NW} + R_{node}^{2D})} \quad (3)$$

$$\kappa^{3D} = \frac{1}{a(R_{NW} + R_{node}^{3D})} \quad (4)$$

with  $R_{NW}$  the thermal resistance of a portion of nanowire between two nodes computed from EMD simulations.  $R_{node}$  is the thermal resistance of a node. It is chosen as the adjustable parameter and it is different for 2D and 3D networks because the number of interconnected nanowires is not the same.

In fig. 2 the model is compared to EMD results for 2D and 3D nanowire network with constant size of nanowire  $d = 2.715 \text{ nm}$  and varying period. Simulations and model are in a particularly good quantitative agreement for 3D networks. The model correctly reproduces the trend for both 2D and 3D networks and predicts that thermal conduction in 3D systems is always lower than in 2D systems. This phenomenon mainly comes from the difference in total cross sections of 2D and 3D networks, which leads to a factor  $a/d$  between  $\kappa^{2D}$  and  $\kappa^{3D}$  in the model, assuming that  $R_{node}^{2D} \simeq R_{node}^{3D}$ . This factor is approximately retrieved from EMD results.

The best fit was obtained with  $R_{node} = 1.2 \times 10^8 \text{ K W}^{-1}$  for 2D network and  $R_{node} = 1.6 \times 10^8 \text{ K W}^{-1}$  for 3D network. For the sake of comparison,  $R_{NW}$  varies from  $0.2 \times 10^8$  to  $3.0 \times 10^8 \text{ K W}^{-1}$  as  $a$  goes from 4 to 27 nm. The thermal resistance of a node is roughly equivalent to a 15 nm portion of nanowire with  $d = 2.715 \text{ nm}$ , whereas the length of a node is only  $d$ . The impact of the nodes on thermal conduction is huge and cannot be neglected. At each node, some phonons experience back scattering because of the free surface of perpendicular nanowires and this greatly reduces thermal transport [22, 29]. Moreover, the node resistance is found to be slightly higher for 3D networks than 2D networks. This is related to the fact that 3D nodes have 4 perpendicular branches (compared to 2 perpendicular branches for 2D nodes), so more backscattering occurs at 3D nodes. This also confirms what has been claimed above explaining why even  $\kappa^*$  is lower for 3D systems than for 2D ones: this is due to the more important scattering at 3D nodes.

To conclude, we investigated thermal conduction in 2D and 3D networks of interconnected Silicon nanowires and

we showed that the TC is drastically reduced in such structures due to a combination of large porosity and increased backscattering at the nodes. The lowering of thermal transport is more pronounced in the 3D networks than in the 2D networks because 3D structures have higher porosity and their nodes have more branches which lead to increased backscattering and larger thermal resistance. A model based on equivalent thermal resistances reproduces the main trends of the MD results and confirms these interpretations. The small discrepancy between model and simulations could arise from correlations between resistances, or from new vibrating modes emerging for specific dimensions of the networks.

### ACKNOWLEDGEMENTS

Calculations were performed on the EXPLOR Mesocenter (University of Lorraine).

### APPENDIX A: SIMULATION METHODOLOGY

All simulations were performed with LAMMPS open source software [30], using the Stillinger-Weber potential for silicon [31] with modified coefficients [32]. The structures are built from a slab of bulk crystalline silicon deleting atoms of certain regions to obtain one “node” (figs. 1a and 1b of the main article) of the nanowire’s network. Periodic boundary conditions are applied along two or three directions to model an infinite 2D or 3D nanowire networks, respectively (figs. 1c and 1d of the main article). Then a conjugate gradient minimization is done and the structures are relaxed at 300 K under NVT ensemble during 200 ps. Finally, the thermal conductivity at room temperature is extracted thanks to Green-Kubo formalism, estimating the correlation of flux fluctuations during 10 ns with a time window of 40 ps. Computational details can be found in previous works [21, 29]. Size effects due to the small size of the simulation box were checked, modeling a bigger structure containing four nodes of a 2D system. The difference between computed thermal conductivities with one and four nodes is less than 7% and remains within the error bars.

### APPENDIX B: THERMAL CONDUCTIVITY AS A FUNCTION OF THE SURFACE-TO-VOLUME RATIO

In nanostructures, heat transport is usually controlled by the surface-to-volume ratio  $S/V$ , which is inversely proportional to the phonon boundary mean free path linked to the nanostructuring ( $\Lambda \simeq 4V/S$ ). In the structures studied in this work, the boundary mean free path is between 2.7 nm (for  $S/V \simeq 0.95 \text{ nm}^{-1}$ ) and 4.2 nm (for  $S/V \simeq 1.45 \text{ nm}^{-1}$ ). When  $S/V$  increases, the

thermal conductivity decreases due to enhanced scattering on the free surfaces. In figure 4 is plotted the thermal conductivity of 2D and 3D nanowire networks obtained with Molecular Dynamics as a function of  $S/V$ . For a same  $S/V$ , the thermal conductivity of 3D networks is always lower than that of 2D networks. This means that the  $S/V$  ratio is not sufficient to describe the reduction of thermal transport in nanostructures with different geometries. The reason is that the  $S/V$  ratio does not take into account the surface orientation which influences the degree of phonon backscattering. For both 2D and 3D networks, the thermal conductivity follows a linear trend given by

$$\kappa^{2D} = 11.4 - 7.5S/V \quad (5)$$

$$\kappa^{3D} = 4.1 - 2.9S/V \quad (6)$$

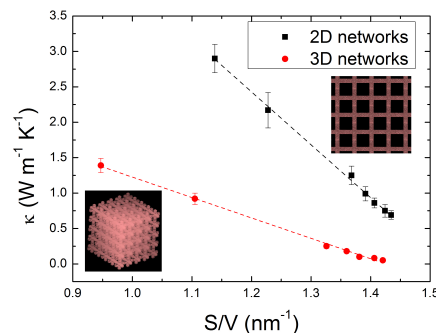


FIG. 4. Thermal conductivity of 2D and 3D nanowire networks as a function of the surface-to-volume ratio  $S/V$  for a constant nanowire diameter  $d = 2.715 \text{ nm}$  at  $T = 300 \text{ K}$ . The thermal conductivities in this figure are those presented in fig. 2a of the main article. The dashed lines are linear fits.

### APPENDIX C: THERMAL RESISTANCES MODEL

When a temperature gradient is applied within the network nanostructure, heat carriers are subject to two types of thermal resistances (fig. 5). The first one is  $R_{NW}$  the thermal resistance of a short nanowire (“strut”) between two nodes (blue in fig. 5), which depends on the cross section  $d \times d$  and the length  $a - d$  of each portion of nanowire (see eq. 10). The second one is the thermal resistance related to the nodes  $R_{node}$  (red in fig. 5), which is unknown. By analogy with macroscopic heat transfer, the heat flux per surface area  $J$  in the direction of the temperature gradient is given by Fourier’s law

$$J = -\kappa \frac{T_H - T_C}{L} \quad (7)$$

with  $T_H$  and  $T_C$  the temperatures of hot and cold thermostats, respectively, and  $L = N \times a$  the distance between the two thermostats (see fig. 5). To reproduce



the results of the present work,  $N$  has to tend toward infinity. Thus, the model describes a cubic (or square) infinite nanowire network.

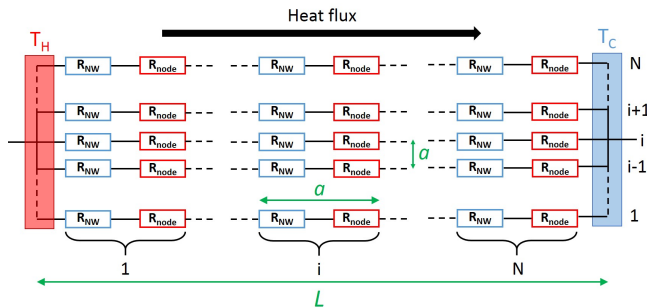


FIG. 5. Schematic of the thermal resistances model for a 2D nanowire network with  $N \times N$  periods.

With respect to the thermal resistance formalism, the heat flux can also be written as

$$J = \frac{T_H - T_C}{R_{tot} S} \quad (8)$$

where  $R_{tot}$  is the total thermal resistance and  $S$  is the total cross section (perpendicular to the flux) of the system. The total cross section of 2D networks is  $S = Na \times d$ , whereas for 3D network  $S = Na \times Na$  (see fig. 1 in the main article). From equations 3 and 4, we derive the expression for thermal conductivity:

$$\kappa = \frac{L}{R_{tot} S} \quad (9)$$

in which the total thermal resistance is different for 2D and 3D networks:

$$\frac{1}{R_{tot}^{2D}} = \frac{1}{R_{NW} + R_{node}^{2D}} \quad (10)$$

$$\frac{1}{R_{tot}^{3D}} = \frac{N}{R_{NW} + R_{node}^{3D}} \quad (11)$$

Combining the last three equations and replacing  $L = Na$  and  $S = Na \times d$  (2D) or  $S = Na \times Na$  (3D), it comes two simple expressions for thermal conductivity:

$$\kappa^{2D} = \frac{1}{d (R_{NW} + R_{node}^{2D})} \quad (12)$$

$$\kappa^{3D} = \frac{1}{a (R_{NW} + R_{node}^{3D})} \quad (13)$$

In order to determine  $R_{NW}$ , the thermal conductivity of an infinitely long nanowire with cross section  $2.715 \times 2.715$  nm has been computed with EMD. We obtained  $\kappa_{NW} = 11 \pm 2$  W m<sup>-1</sup> K<sup>-1</sup>. Then the thermal resistance

of the portion of nanowire between two nodes is deduced for each system with

$$R_{NW} = \frac{a - d}{\kappa_{NW} d^2} \quad (14)$$

Finally,  $R_{node}$  is chosen as the adjustable parameter. It is considered as a constant parameter for a given  $d$ , but it is not the same for 2D and 3D networks because the number of interconnected nanowires at a node is different (4 and 6, respectively). Each node corresponds to an abrupt change of cross section of the material for a length  $d$ . This surely affects thermal transport, but in a manner which is unknown. The proposed model allows to quantify the thermal resistance due to the nodes.

- 
- [1] Markus Rauber, Ina Alber, Sven Müller, Reinhard Neumann, Oliver Picht, Christina Roth, Alexander Schökel, Maria Eugenia Toimil-Molares, and Wolfgang Ensinger. Highly-Ordered Supportless Three-Dimensional Nanowire Networks with Tunable Complexity and Interwire Connectivity for Device Integration. *Nano Letters*, 11(6):2304–2310, June 2011.
  - [2] Qiang Li, Feng Yun, Yufeng Li, Wen Ding, and Ye Zhang. Fabrication and application of indium-tin-oxide nanowire networks by polystyrene-assisted growth. *Scientific Reports*, 7(1), December 2017.
  - [3] Rémi Galland, Patrick Leduc, Christophe Guérin, David Peyrade, Laurent Blanchoin, and Manuel Théry. Fabrication of three-dimensional electrical connections by means of directed actin self-organization. *Nature Materials*, 12(5):416–421, May 2013.
  - [4] Bing Han, Yuanlin Huang, Ruopeng Li, Qiang Peng, Junyi Luo, Ke Pei, Andrzej Herczynski, Krzysztof Kempa, Zhifeng Ren, and Jinwei Gao. Bio-inspired networks for optoelectronic applications. *Nature Communications*, 5:5674, November 2014.
  - [5] J. M. Romo-Herrera, M. Terrones, H. Terrones, S. Dag, and V. Meunier. Covalent 2d and 3d Networks from 1d Nanostructures: Designing New Materials. *Nano Letters*, 7(3):570–576, March 2007.
  - [6] Anuj R. Madaria, Akshay Kumar, Fumiaki N. Ishikawa, and Chongwu Zhou. Uniform, highly conductive, and patterned transparent films of a percolating silver nanowire network on rigid and flexible substrates using a dry transfer technique. *Nano Research*, 3(8):564–573, August 2010.
  - [7] Hao Jiang, Ting Zhao, Jan Ma, Chaoyi Yan, and Chunzhong Li. Ultrafine manganese dioxidenanowire network for high-performance supercapacitors. *Chem. Commun.*, 47(4):1264–1266, 2011.
  - [8] Emre Mulazimoglu, Sahin Coskun, Mete Gunoven, Bayram Butun, Ekmel Ozbay, Rasit Turan, and Husnu Emrah Unalan. Silicon nanowire network metal-semiconductor-metal photodetectors. *Applied Physics Letters*, 103(8):083114, August 2013.
  - [9] S. Ge, K. Jiang, X. Lu, Y. Chen, R. Wang, and S. Fan. Orientation-Controlled Growth of Single-Crystal Silicon-Nanowire Arrays. *Advanced Materials*, 17(1):56–61, January 2005.
  - [10] Jen-Kan Yu, Slobodan Mitrovic, Douglas Tham, Joseph

- Varghese, and James R. Heath. Reduction of thermal conductivity in phononic nanomesh structures. *Nature Nanotechnology*, 5(10):718–721, October 2010.
- [11] Navaneetha K. Ravichandran and Austin J. Minnich. Coherent and incoherent thermal transport in nanomeshes. *Physical Review B*, 89(20):205432, 2014.
- [12] Allon I. Hochbaum, Renkun Chen, Raul Diaz Delgado, Wenjie Liang, Erik C. Garnett, Mark Najarian, Arun Majumdar, and Peidong Yang. Enhanced thermoelectric performance of rough silicon nanowires. *Nature*, 451(7175):163–167, January 2008.
- [13] Akram I. Boukai, Yuri Bunimovich, Jamil Tahir-Kheli, Jen-Kan Yu, William A. Goddard III, and James R. Heath. Silicon nanowires as efficient thermoelectric materials. *Nature*, 451(7175):168–171, January 2008.
- [14] Allon I. Hochbaum, Rong Fan, Rongrui He, and Peidong Yang. Controlled Growth of Si Nanowire Arrays for Device Integration. *Nano Letters*, 5(3):457–460, March 2005.
- [15] Kwang Heo, Eunhee Cho, Jee-Eun Yang, Myoung-Ha Kim, Minbaek Lee, Byung Yang Lee, Soon Gu Kwon, Moon-Sook Lee, Moon-Ho Jo, Heon-Jin Choi, Taeghwan Hyeon, and Seunghun Hong. Large-Scale Assembly of Silicon Nanowire Network-Based Devices Using Conventional Microfabrication Facilities. *Nano Letters*, 8(12):4523–4527, December 2008.
- [16] Donghai Wang, Hongmei Luo, Rong Kou, Maria P. Gil, Shuaigang Xiao, Vladimir O. Golub, Zhenzhong Yang, C. Jeffrey Brinker, and Yunfeng Lu. A General Route to Macroscopic Hierarchical 3d Nanowire Networks. *Angewandte Chemie International Edition*, 43(45):6169–6173, November 2004.
- [17] Zhiyong Wei, Geoff Wehmeyer, Chris Dames, and Yunfei Chen. Geometric tuning of thermal conductivity in three-dimensional anisotropic phononic crystals. *Nanoscale*, 8(37):16612–16620, 2016.
- [18] David G. Cahill, Paul V. Braun, Gang Chen, David R. Clarke, Shanhui Fan, Kenneth E. Goodson, Pawel Keblinski, William P. King, Gerald D. Mahan, Arun Majumdar, Humphrey J. Maris, Simon R. Phillpot, Eric Pop, and Li Shi. Nanoscale thermal transport. II. 2003–2012. *Applied Physics Reviews*, 1(1):011305, March 2014.
- [19] Joo-Hyoung Lee, Giulia A. Galli, and Jeffrey C. Grossman. Nanoporous Si as an Efficient Thermoelectric Material. *Nano Letters*, 8(11):3750–3754, November 2008.
- [20] Hideyuki Mizuno, Stefano Mossa, and Jean-Louis Barrat. Beating the amorphous limit in thermal conductivity by superlattices design. *Scientific Reports*, 5(1), November 2015.
- [21] M. Verdier, K. Termentzidis, and D. Lacroix. Crystalline-amorphous silicon nano-composites: Nano-pores and nano-inclusions impact on the thermal conductivity. *Journal of Applied Physics*, 119(17):175104, May 2016.
- [22] Jaeho Lee, Woonchul Lee, Geoff Wehmeyer, Scott Dhuey, Deirdre L. Olynick, Stefano Cabrini, Chris Dames, Jeffrey J. Urban, and Peidong Yang. Investigation of phonon coherence and backscattering using silicon nanomeshes. *Nature Communications*, 8:14054, January 2017.
- [23] C. J. Glassbrenner and Glen A. Slack. Thermal conductivity of silicon and germanium from 3 K to the melting point. *Physical Review*, 134(4A):A1058, 1964.
- [24] P.D. Maycock. Thermal conductivity of Silicon, Germanium, III-V compounds and III-V alloys. *Solid-State Electronics*, 10:161–168, 1967.
- [25] Hiroshi Wada and Takeshi Kamijoh. Thermal Conductivity of Amorphous Silicon. *Japanese Journal of Applied Physics*, 35(Part 2, No. 5B):L648–L650, May 1996.
- [26] Ankit Jain, Ying-Ju Yu, and Alan J. H. McGaughey. Phonon transport in periodic silicon nanoporous films with feature sizes greater than 100 nm. *Physical Review B*, 87(19), May 2013.
- [27] V. Jean, S. Fumeron, K. Termentzidis, S. Tutashkonko, and D. Lacroix. Monte Carlo simulations of phonon transport in nanoporous silicon and germanium. *Journal of Applied Physics*, 115(2):024304, January 2014.
- [28] Maxime Verdier, Stanislav Didenko, David Lacroix, Thierno Bah, Evelyne Lampin, Jean-François Robillard, and Konstantinos Termentzidis. Influence of amorphous layers orientation and nature on thermal conductivity of phononic crystals. *Under revision*.
- [29] Maxime Verdier, David Lacroix, and Konstantinos Termentzidis. Heat transport in phononic-like membranes: Modeling and comparison with modulated nanowires. *International Journal of Heat and Mass Transfer*, 114:550–558, November 2017.
- [30] Steve Plimpton. Fast parallel algorithms for short-range molecular dynamics. *Journal of computational physics*, 117(1):1–19, 1995.
- [31] Frank H. Stillinger and Thomas A. Weber. Computer simulation of local order in condensed phases of silicon. *Physical Review B*, 31(8):5262–5271, April 1985.
- [32] R.L.C. Vink, G.T. Barkema, W.F. van der Weg, and Norman Mousseau. Fitting the Stillinger–Weber potential to amorphous silicon. *Journal of Non-Crystalline Solids*, 282(2-3):248–255, April 2001.