



**HAL**  
open science

## Dual-polarization fiber lasers for radio-over-fibre?

M. Guionie, Aurélien Thorette, Marco Romanelli, Anthony Carré, Goulc'Hen Loas, Emmanuel Pinsard, Laurent Lablonde, Benoît Cadier, Mehdi Alouini, Marc Vallet, et al.

► **To cite this version:**

M. Guionie, Aurélien Thorette, Marco Romanelli, Anthony Carré, Goulc'Hen Loas, et al.. Dual-polarization fiber lasers for radio-over-fibre?. Journée de l'Ecole Doctorale 3M 2018, Oct 2018, Rennes, France. hal-01913535

**HAL Id: hal-01913535**

**<https://hal.science/hal-01913535v1>**

Submitted on 6 Nov 2018

**HAL** is a multi-disciplinary open access archive for the deposit and dissemination of scientific research documents, whether they are published or not. The documents may come from teaching and research institutions in France or abroad, or from public or private research centers.

L'archive ouverte pluridisciplinaire **HAL**, est destinée au dépôt et à la diffusion de documents scientifiques de niveau recherche, publiés ou non, émanant des établissements d'enseignement et de recherche français ou étrangers, des laboratoires publics ou privés.



# Dual-polarization fiber lasers for radio-over-fibre?

M. Guionie<sup>1</sup>, A. Thorette<sup>1</sup>, M. Romanelli<sup>1</sup>, A. Carré<sup>1</sup>, G. Loas<sup>1</sup>, E. Pinsard<sup>2</sup>,  
L. Lablonde<sup>2</sup>, B. Cadier<sup>2</sup>, M. Alouini<sup>1</sup>, M. Vallet<sup>1</sup> and M. Brunel<sup>1</sup>  
<sup>1</sup>Univ Rennes, CNRS, Institut FOTON - UMR 6082, Rennes <sup>2</sup>iXblue Photonics, Lannion

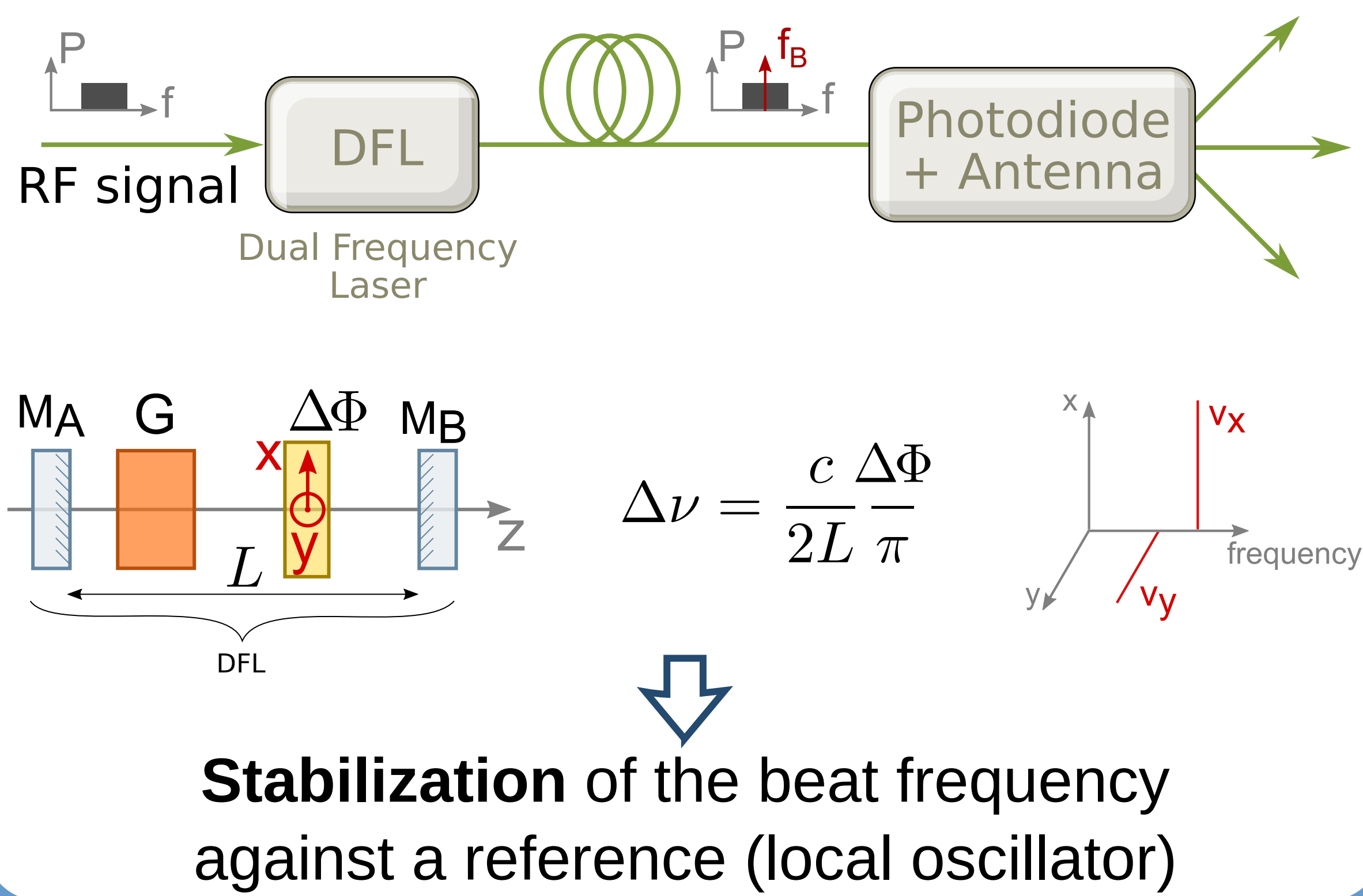
## Context

Wireless technologies are developed to replace wires in the personal network. But with the increasing demand, the current Wi-Fi bands (2.4 or 5 GHz) tends to become **saturated**. The millimetre-wave band (from 57 to 66 GHz) could be an attractive alternative to exploit. It could provide:

- Higher flow rate
- High propagation attenuation and non-propagation across the walls

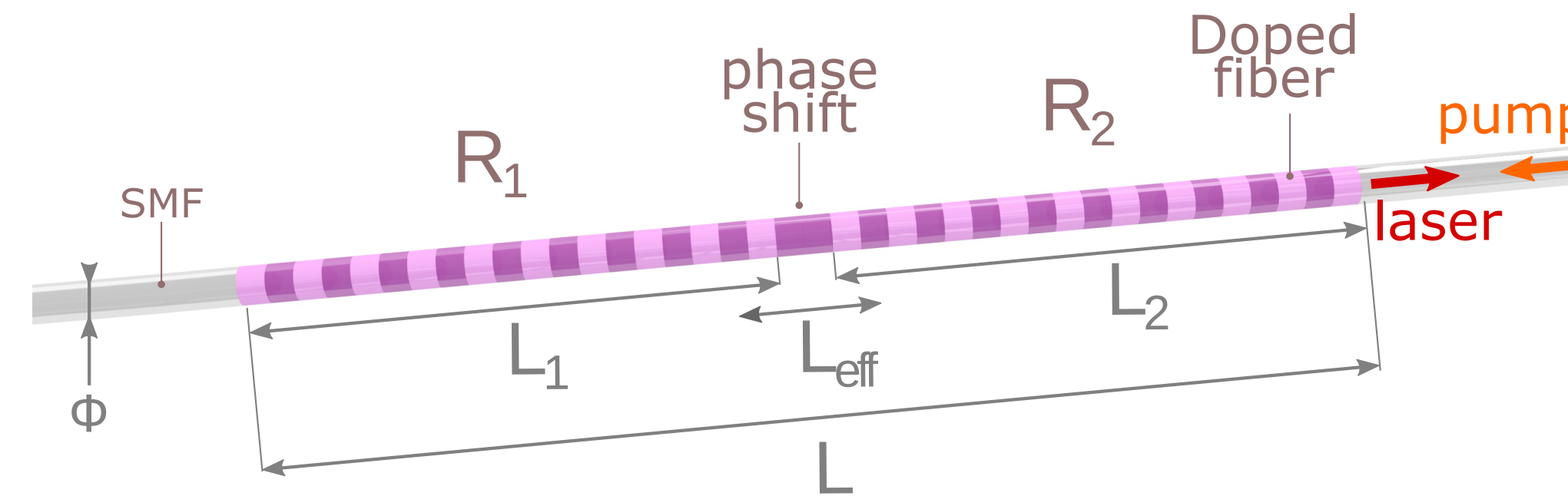
Solution: optical transmission of analog signals as **radio-over-fibre (RoF)**

## Optical Transmission of Microwave Analog Signals



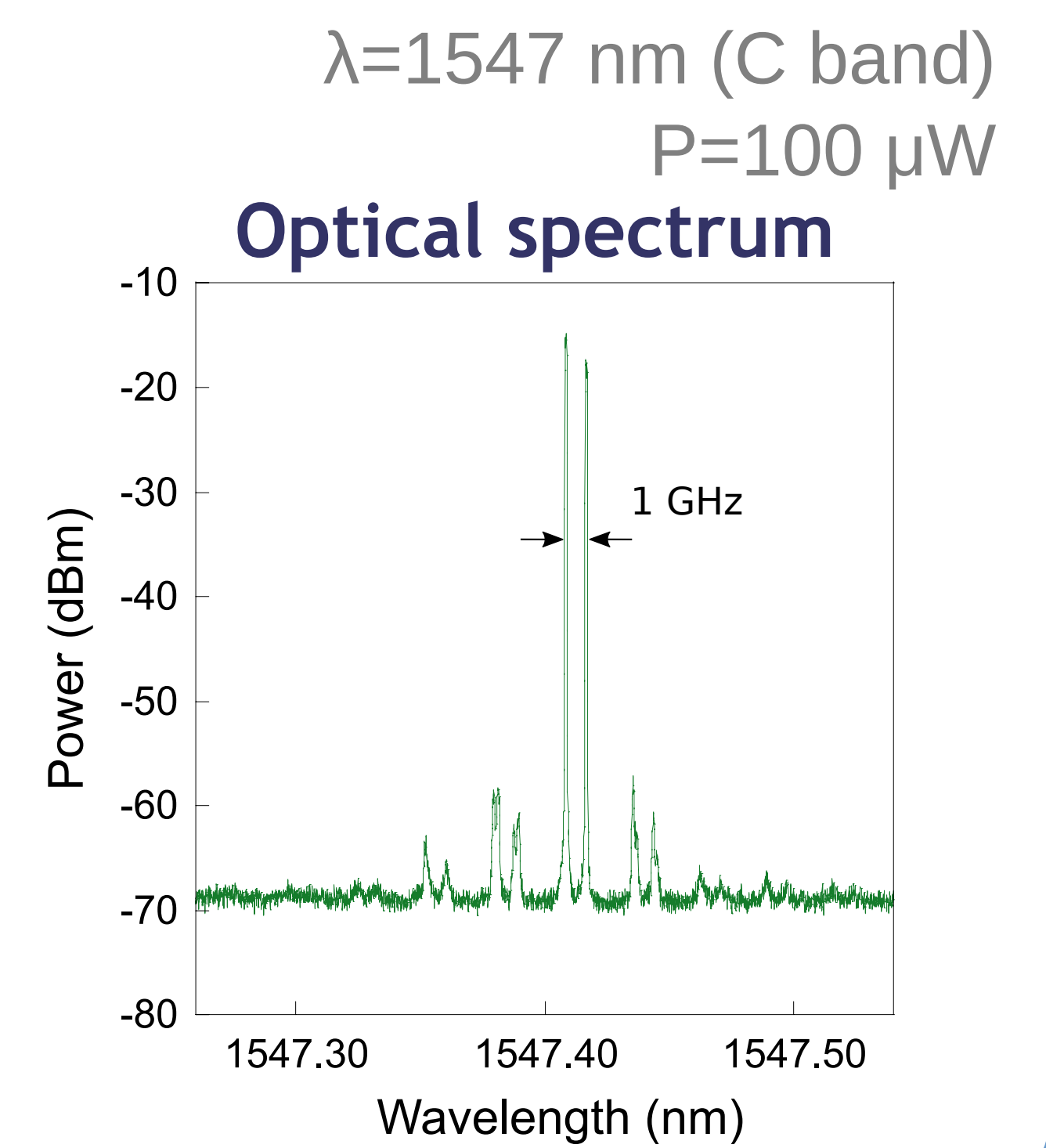
## Dual Frequency Fiber Lasers

Distributed feedback (DFB) fiber with oscillation of two orthogonal polarizations at different frequencies

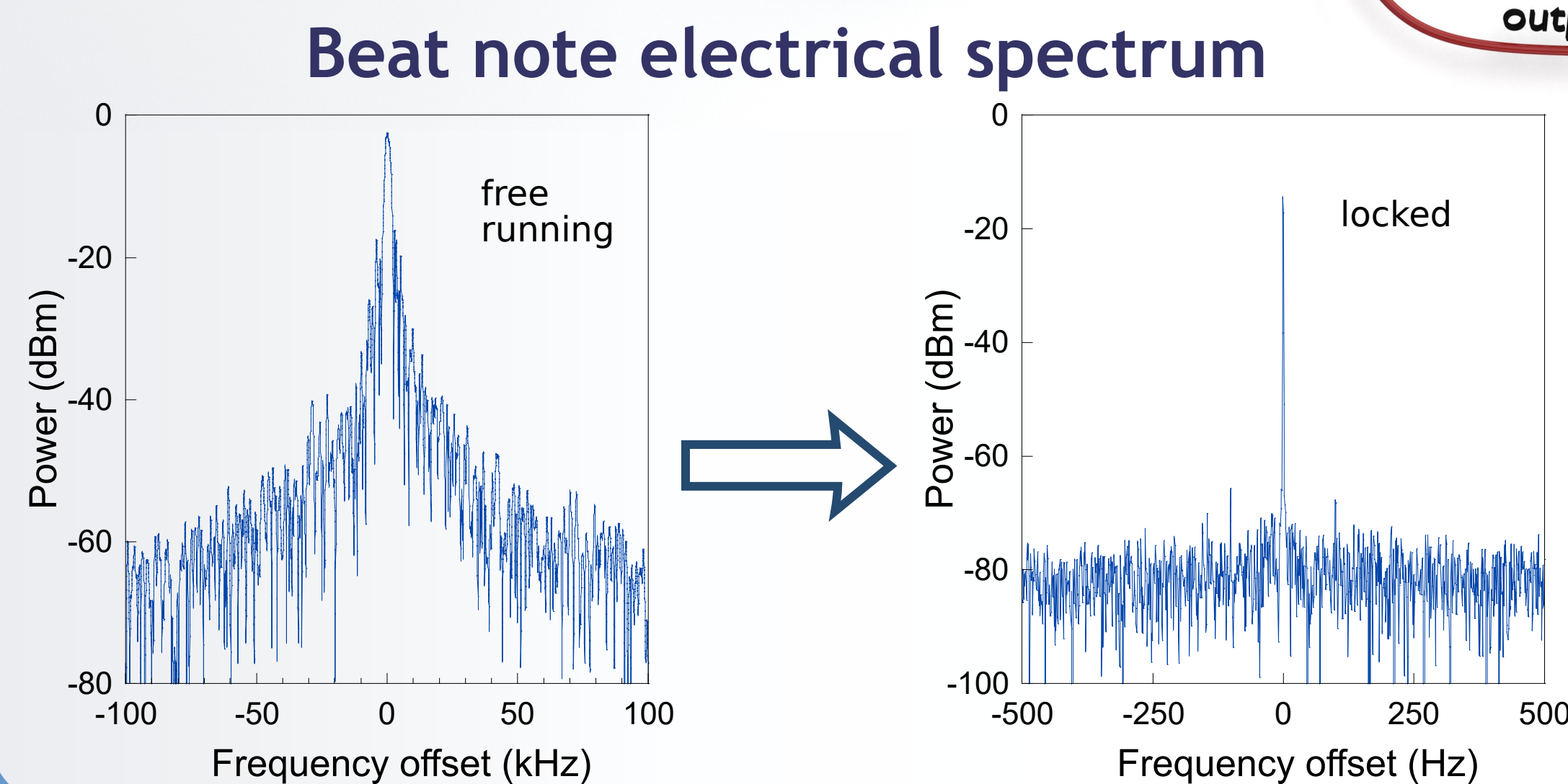
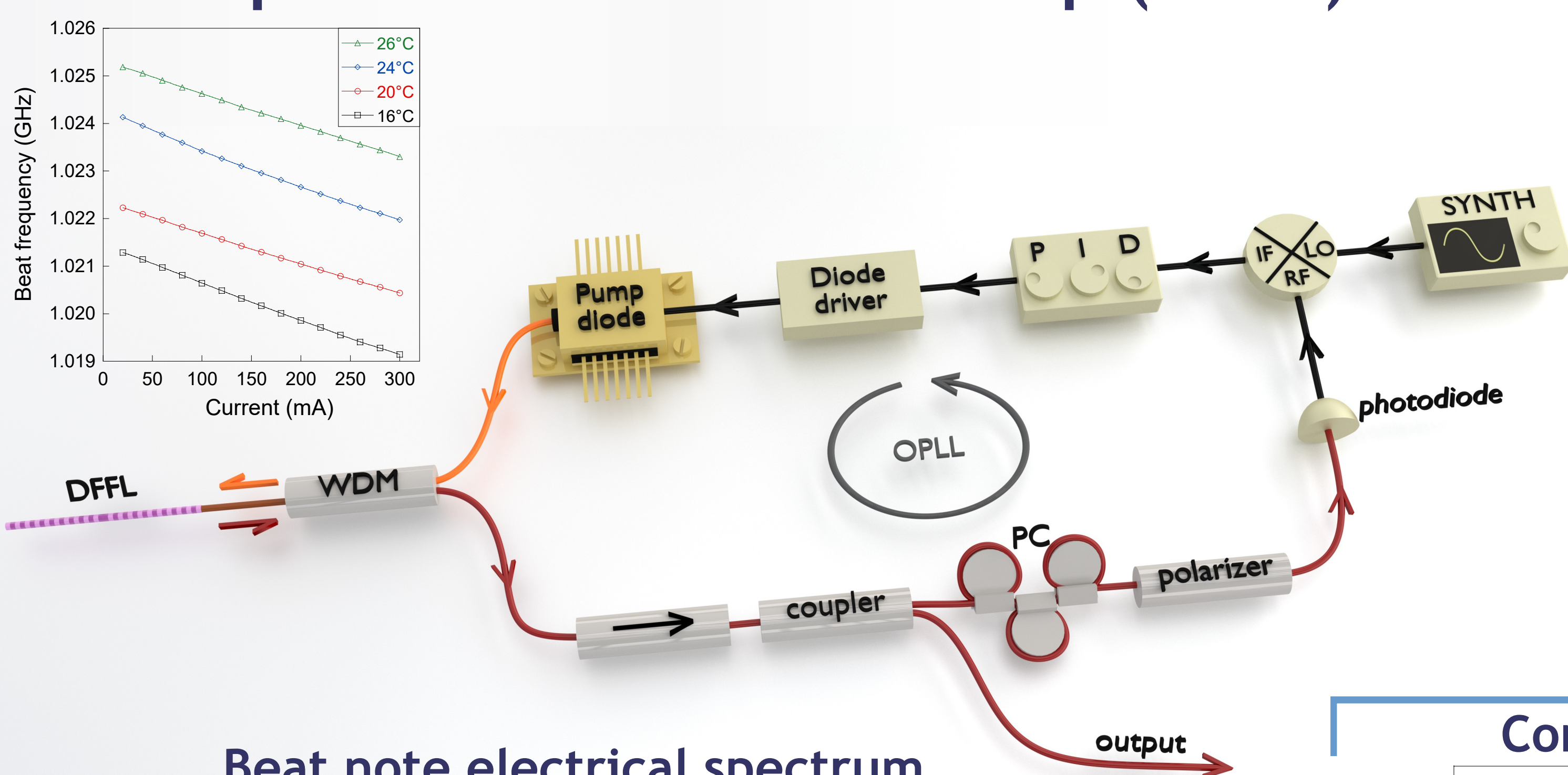


Preliminary: beat frequency at 1 GHz

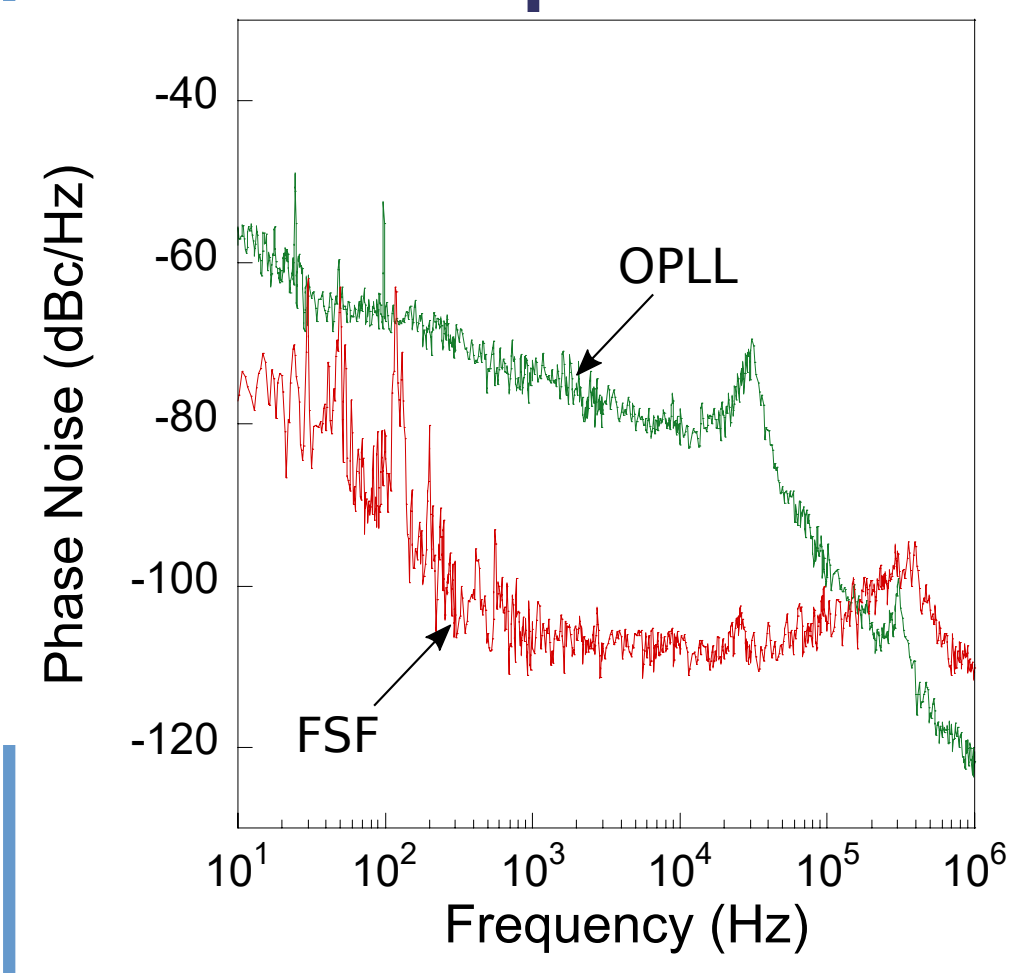
Two stabilization methods



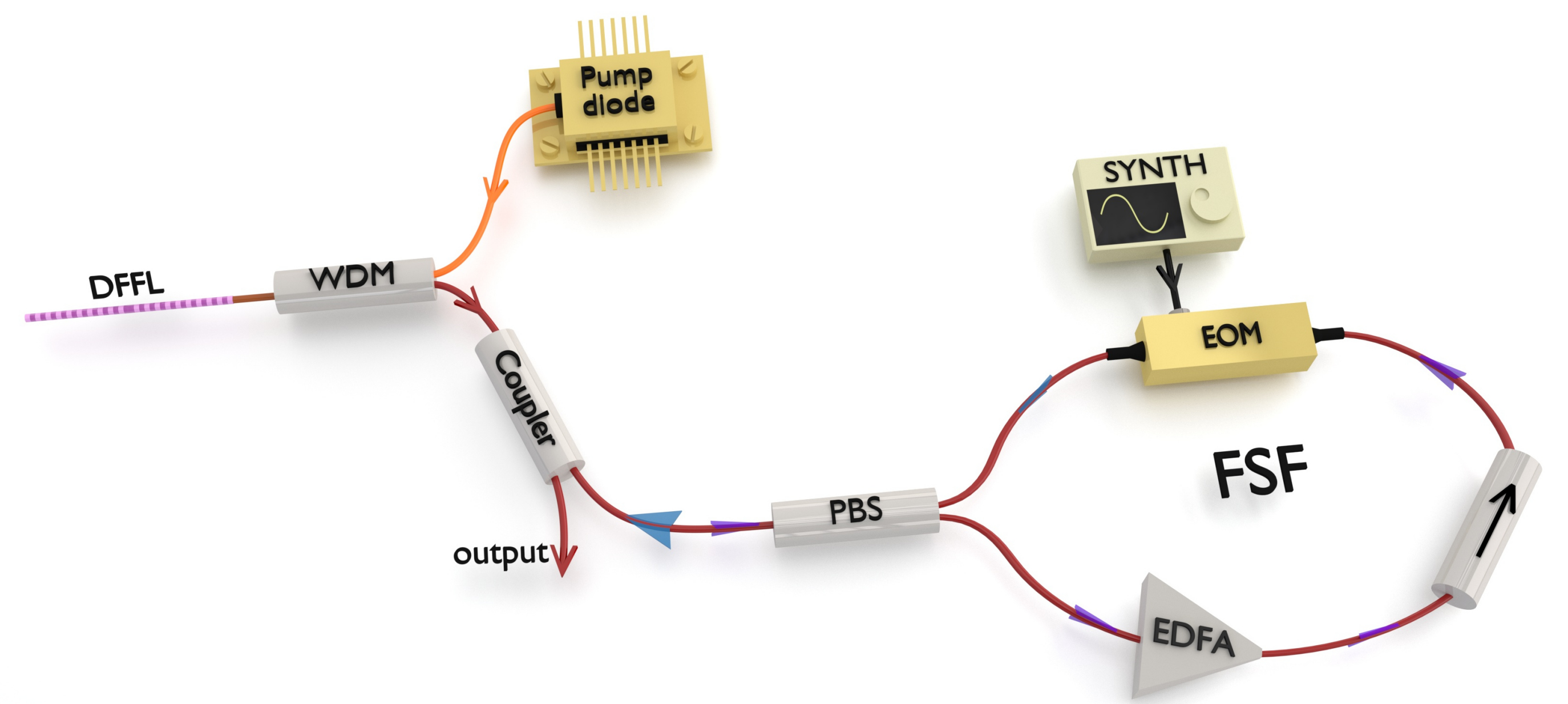
## Optical Phase-Locked Loop (OPLL)



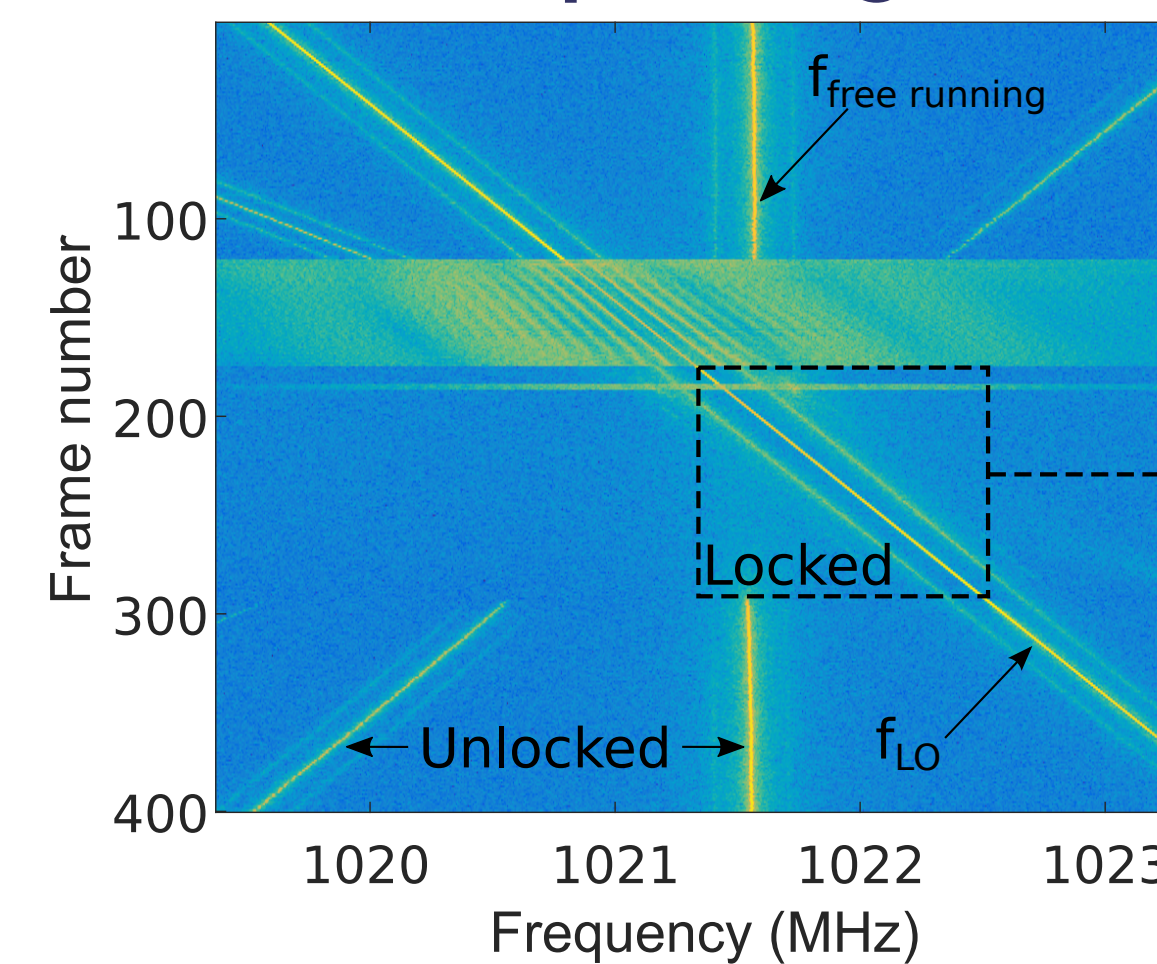
## Comparison



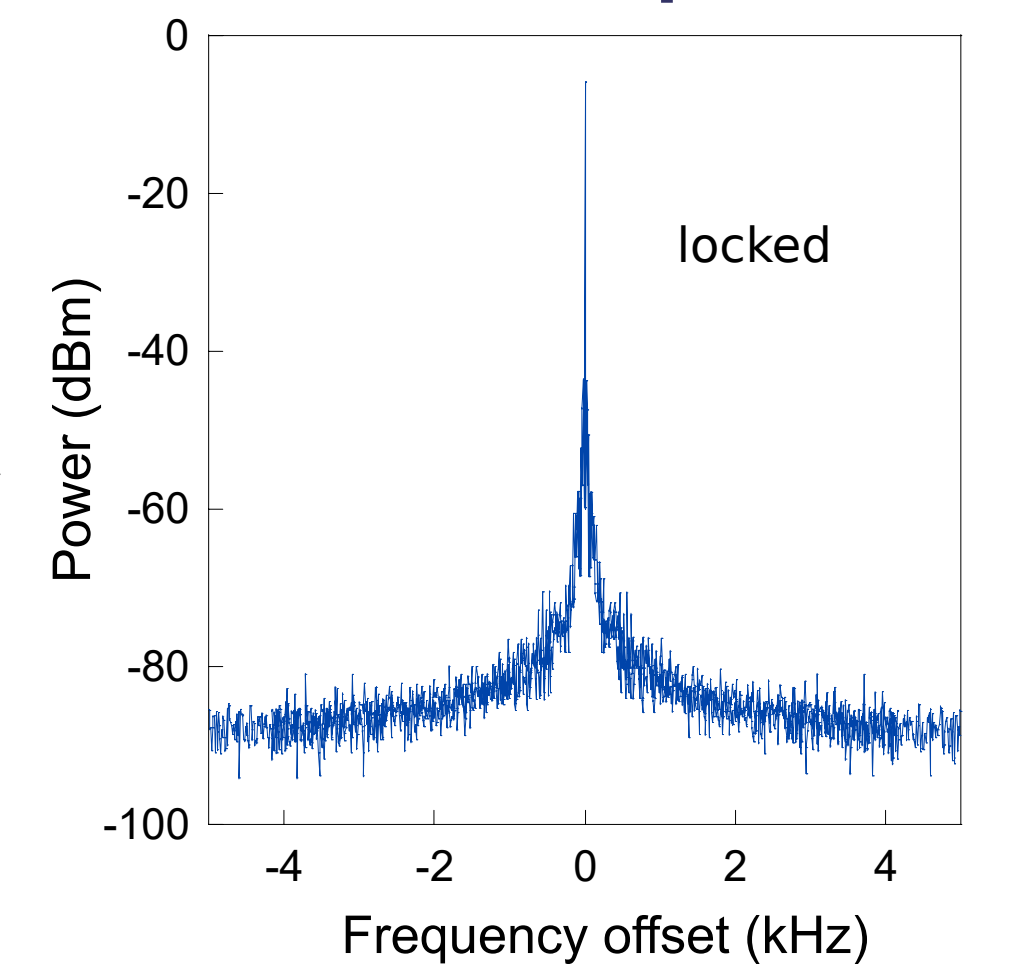
## Frequency-Shifted Feedback (FSF)



## Spectrogram



## Electrical spectrum



## Conclusions

- OPLL and FSF methods validated
- Stabilization works at 1 GHz
- High spectral purity in agreement with LO (1 Hz)
- 1 MHz lock-in-range
- Also demonstrated with a beat frequency at 300 MHz and 10 GHz

## Perspective

- Study different fiber laser architectures (DBR, PM fiber)
- Extend to higher frequencies of the beat note (use elasto-optic effect)
- Other control method : Kerr effect?
- Communication experiment with IETR antenna

## References

- A. Kabalan, "Etude de systèmes radio sur fibre pour des applications de réseaux domestiques en bande millimétrique", Thèse Univ. Paris-Est (2016).
- W. H. Loh and R. I. Laming, "1.55 μm phase-shifted distributed feedback fibre laser", Electron. Lett. 31(17), 1440-1442 (1995).
- M. Guionie and al., "Beat note stabilization in dual-polarization DFB fiber lasers by an optical phase-locked loop", Opt. Express 26(3), 3483-3488 (2018).
- M. Guionie and al., "Lasers à fibre bifréquences stabilisés par réinjection optique", Journées Nationales d'Optique Guidée (JNOG), (2018).
- A. Martin, "Conception et étude d'antennes actives optiquement transparentes : de la VHF jusqu'au millimétrique", Thèse Université de Rennes 1 (2017).

Funding DGA (ANR-16-ASTR-0016); Région Bretagne, FEDER, Rennes Metropole (CPER SOPHIE- Photonique).