



HAL
open science

Impact of control algorithm solutions on Modular Multilevel Converters electrical waveforms and losses

François Gruson, Julian Freytes, Shabab Samimi, Philippe Delarue, Xavier Guillaud, Frederic Colas, Moez Belhaouane

► **To cite this version:**

François Gruson, Julian Freytes, Shabab Samimi, Philippe Delarue, Xavier Guillaud, et al.. Impact of control algorithm solutions on Modular Multilevel Converters electrical waveforms and losses. EPE ECCE europe 2014, Sep 2015, Genève, Switzerland. IEEE, EPE ECCE europe 2015, pp.00, 2015. hal-01890430

HAL Id: hal-01890430

<https://hal.science/hal-01890430>

Submitted on 8 Oct 2018

HAL is a multi-disciplinary open access archive for the deposit and dissemination of scientific research documents, whether they are published or not. The documents may come from teaching and research institutions in France or abroad, or from public or private research centers.

L'archive ouverte pluridisciplinaire **HAL**, est destinée au dépôt et à la diffusion de documents scientifiques de niveau recherche, publiés ou non, émanant des établissements d'enseignement et de recherche français ou étrangers, des laboratoires publics ou privés.

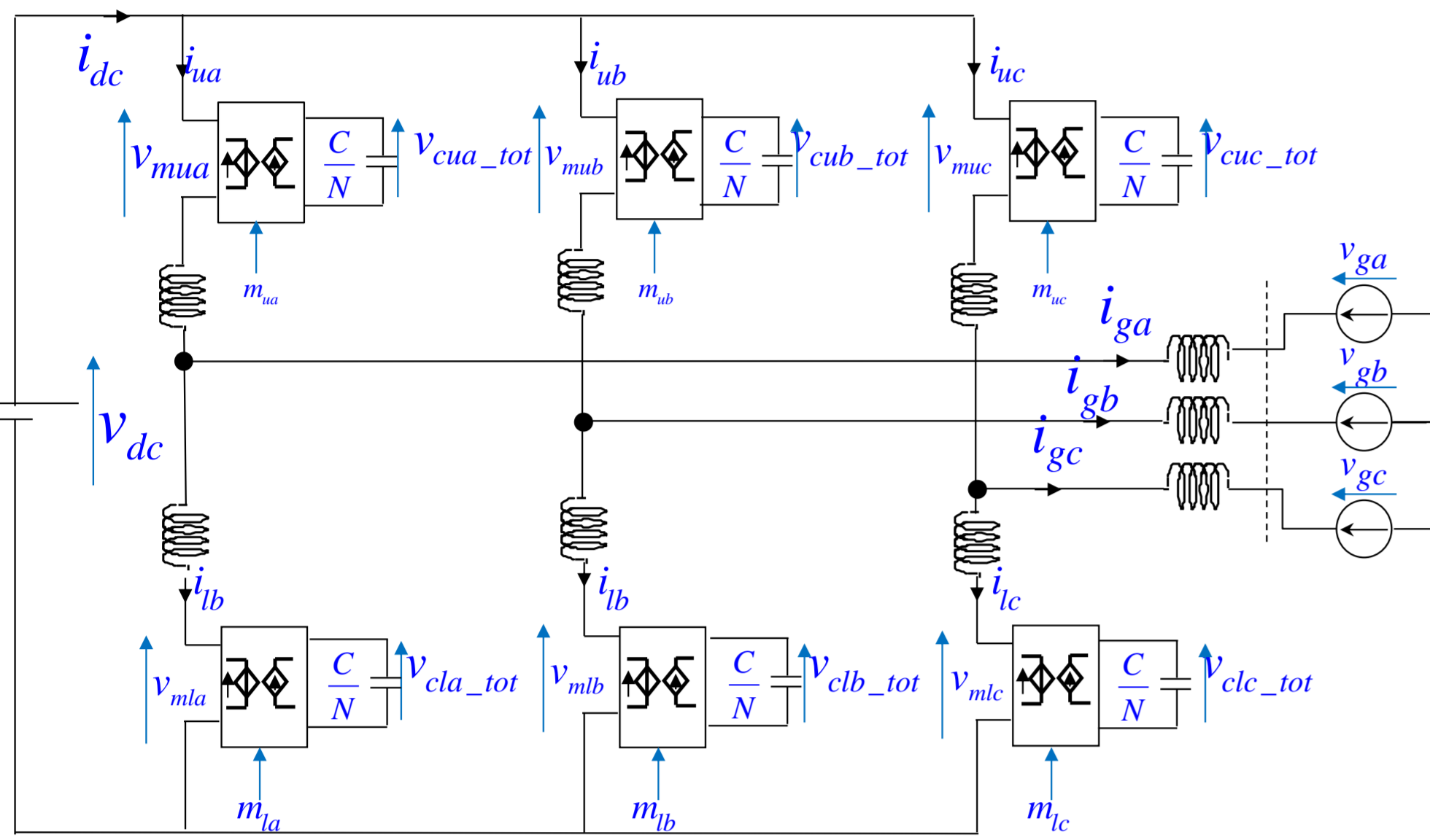
Impact of control algorithm solutions on Modular Multilevel Converters electrical waveforms and losses



- **Context** : control of the stored energy of the MMC (Modular Multilevel Converter)
- **Objectives** :
Study the impact of two control variants (compensation of the average or the instantaneous AC grid power) : differential and AC grid currents, capacitor voltages ripple, losses.

Simplified model of MMC

If capacitor voltage balancing is achieved:



Modeling of the MMC converter

$$\begin{cases} v_{mli} = m_{li} v_{cli_tot} & ; & v_{mui} = m_{li} v_{clui_tot} \\ m_{li} i_{li} = \frac{C}{N} \frac{dv_{cli_tot}}{dt} & ; & m_{ui} i_{ui} = \frac{C}{N} \frac{dv_{clui_tot}}{dt} \end{cases} \quad \text{with } i \in (a, b, c)$$

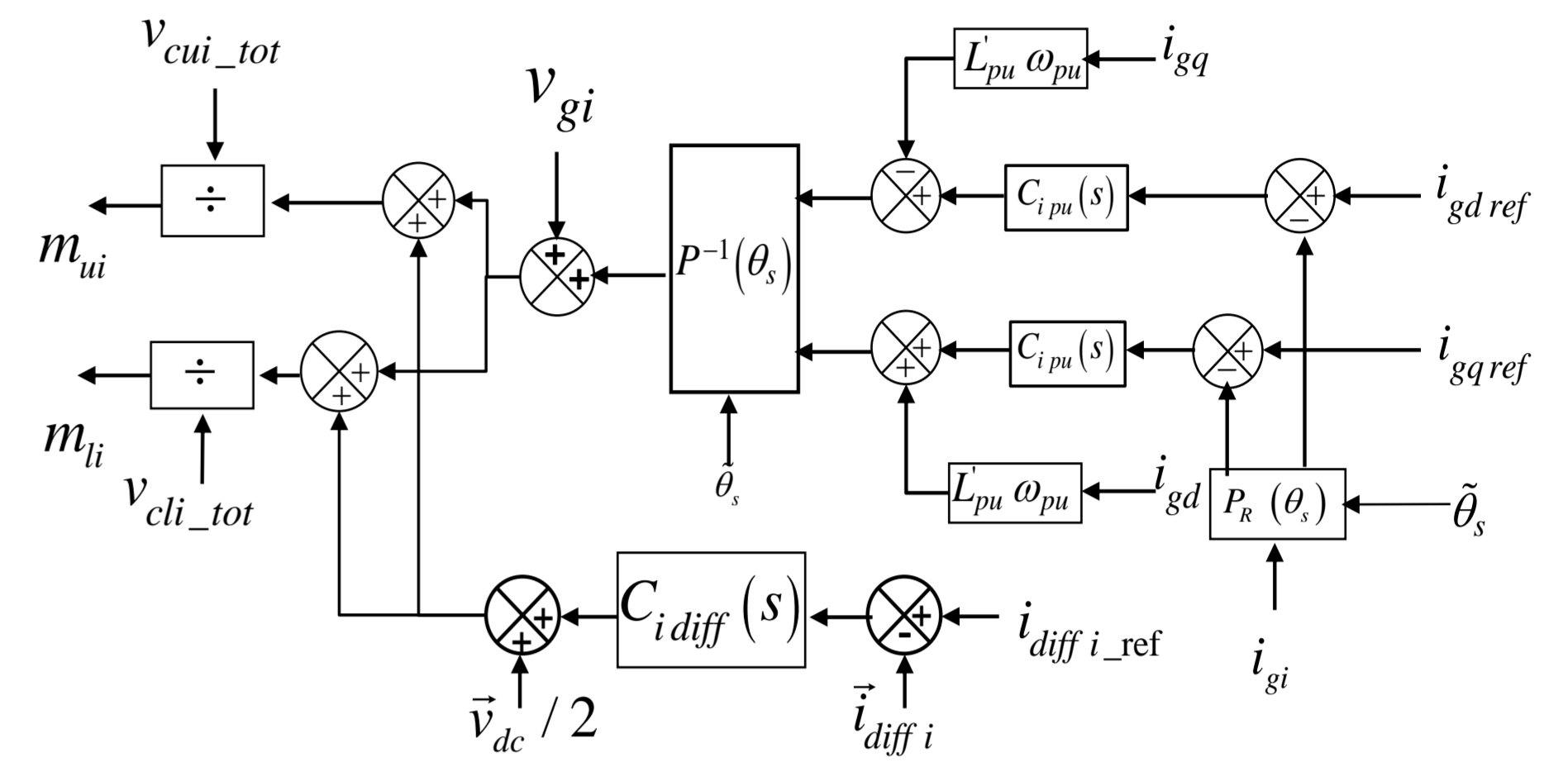
$$i_{diff\ i} = \frac{i_{ui} + i_{li}}{2} ; v_{diff\ i} = \frac{v_{mui} + v_{mli}}{2} ; v_{vi} = \frac{v_{mli} - v_{mui}}{2}$$

$$v_{ud} - v_{gd} = (L + \frac{L_{arm}}{2}) \frac{di_{gd}}{dt} + (R + \frac{R_{arm}}{2}) i_{gd} + (L + \frac{L_{arm}}{2}) \omega i_{gd}$$

$$v_{uq} - v_{gd} = (L + \frac{L_{arm}}{2}) \frac{di_{gq}}{dt} + (R + \frac{R_{arm}}{2}) i_{gq} - (L + \frac{L_{arm}}{2}) \omega i_{gq}$$

This converter has 11 independent state variables
→ Requires 11 control loops to achieve the global control

Current Control of the MMC Converter

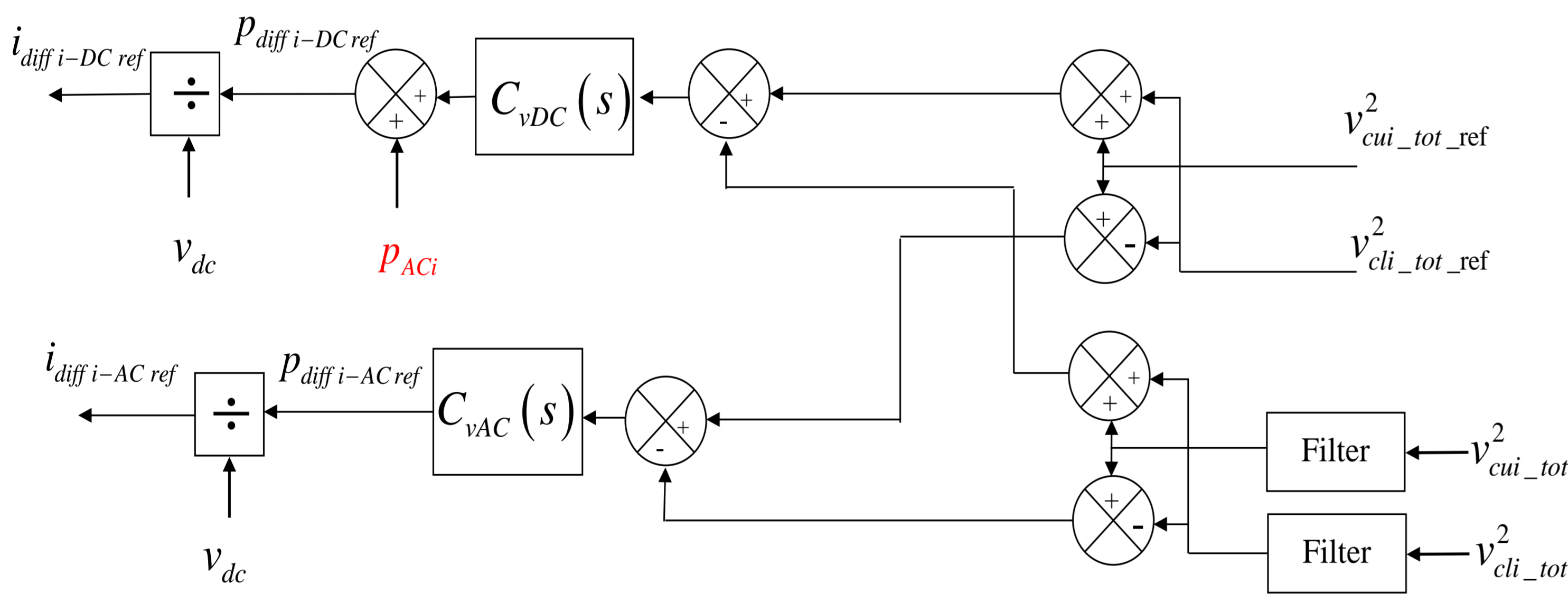


with $i \in (a, b, c)$

Current control → 5 control loops

Stored Energy Control of the MMC Converter

$$\begin{cases} \left(\frac{d(W_{cli} + W_{cui})}{dt} \right)_T = V_{dc} i_{diff\ i-DC} - P_{AC\ i} \\ \left(\frac{d(W_{cli} - W_{cui})}{dt} \right)_T = \hat{v}_{vi} \hat{i}_{diff\ i-AC} \end{cases} \quad \text{with } i \in (a, b, c)$$



Stored Energy Control → 6 other control loops (3*sum+3*difference)

Usual assumption:

To Limit the losses, the I_{diff-i} value is limited by considering only the average power of the AC grid (P_{ac}) in the stored energy control ($P_{AC} \neq P_{DC}$)

$$P_{ACi} = \frac{P_{AC}}{3} \quad \text{with } i \in (a, b, c)$$

→ introducing the AC fluctuating power term

$$P_{ACi} = \frac{P_{AC}}{3} + V_{gi} I_{gi} \cos(2\omega t + \varphi) \quad \text{with } i \in (a, b, c)$$

-Reduce the ripples in the v_{c_tot} since $P_{AC} = P_{DC}$

The choice of introducing or not the fluctuating part of the AC power modifies the control →

- different quantity of activated sub-modules
- current passes through a different number of IGBT and diodes.

it may have sense to use a control inducing a slightly larger current if this current passes through more diodes.

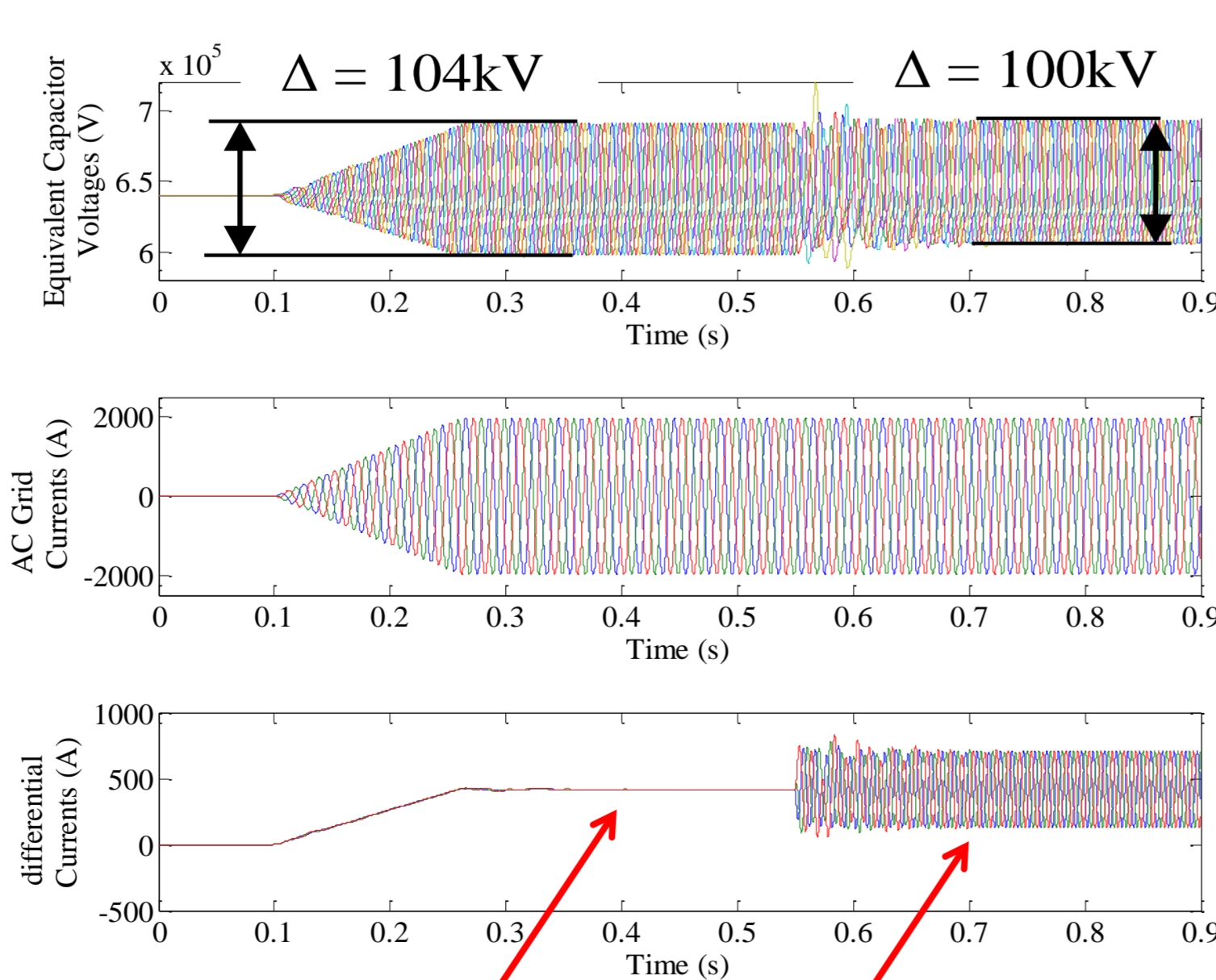
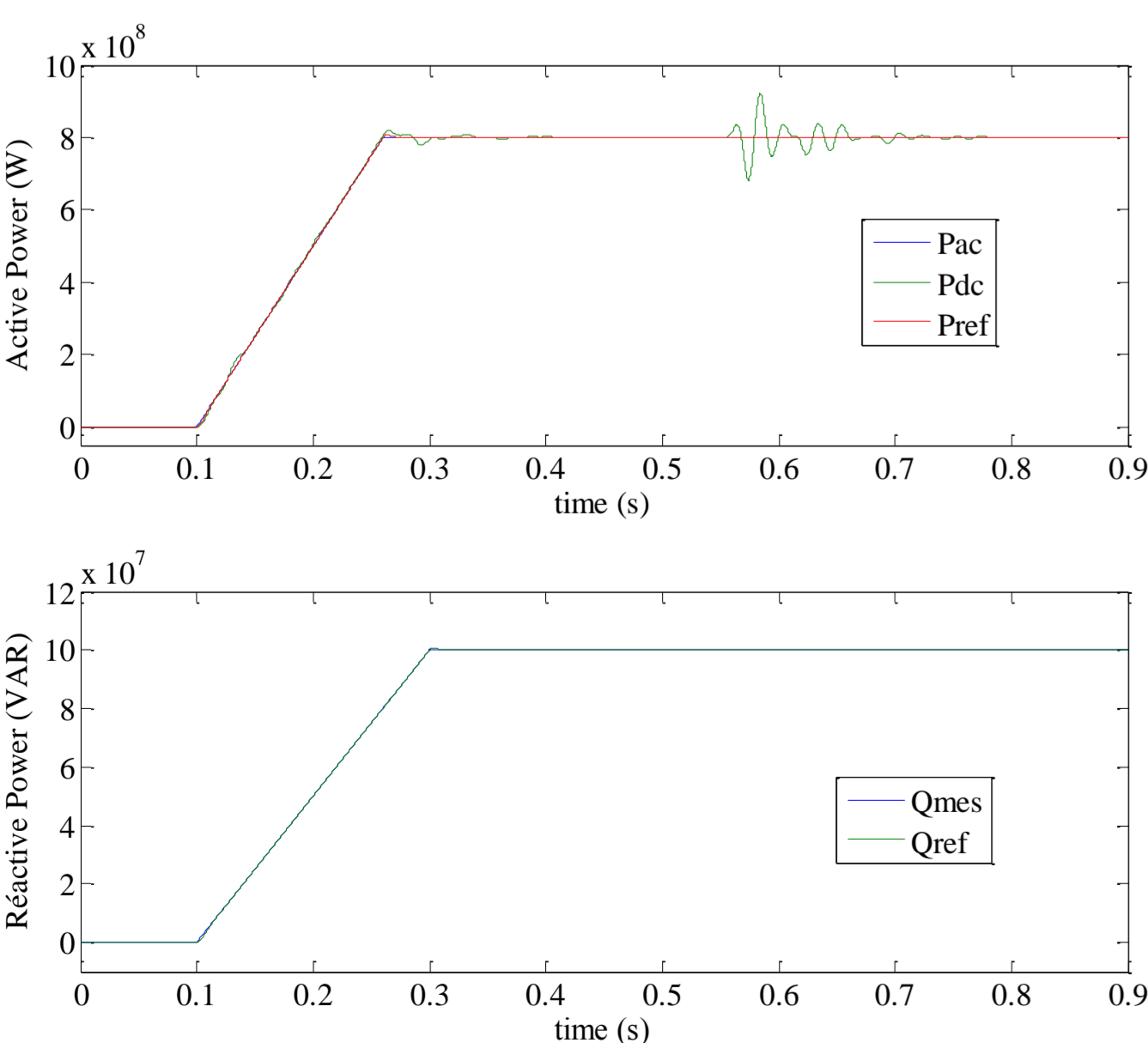
- IGBT conduction losses > diode conduction losses

the hypothesis of limiting the RMS current can be questionable.

Simulation Results

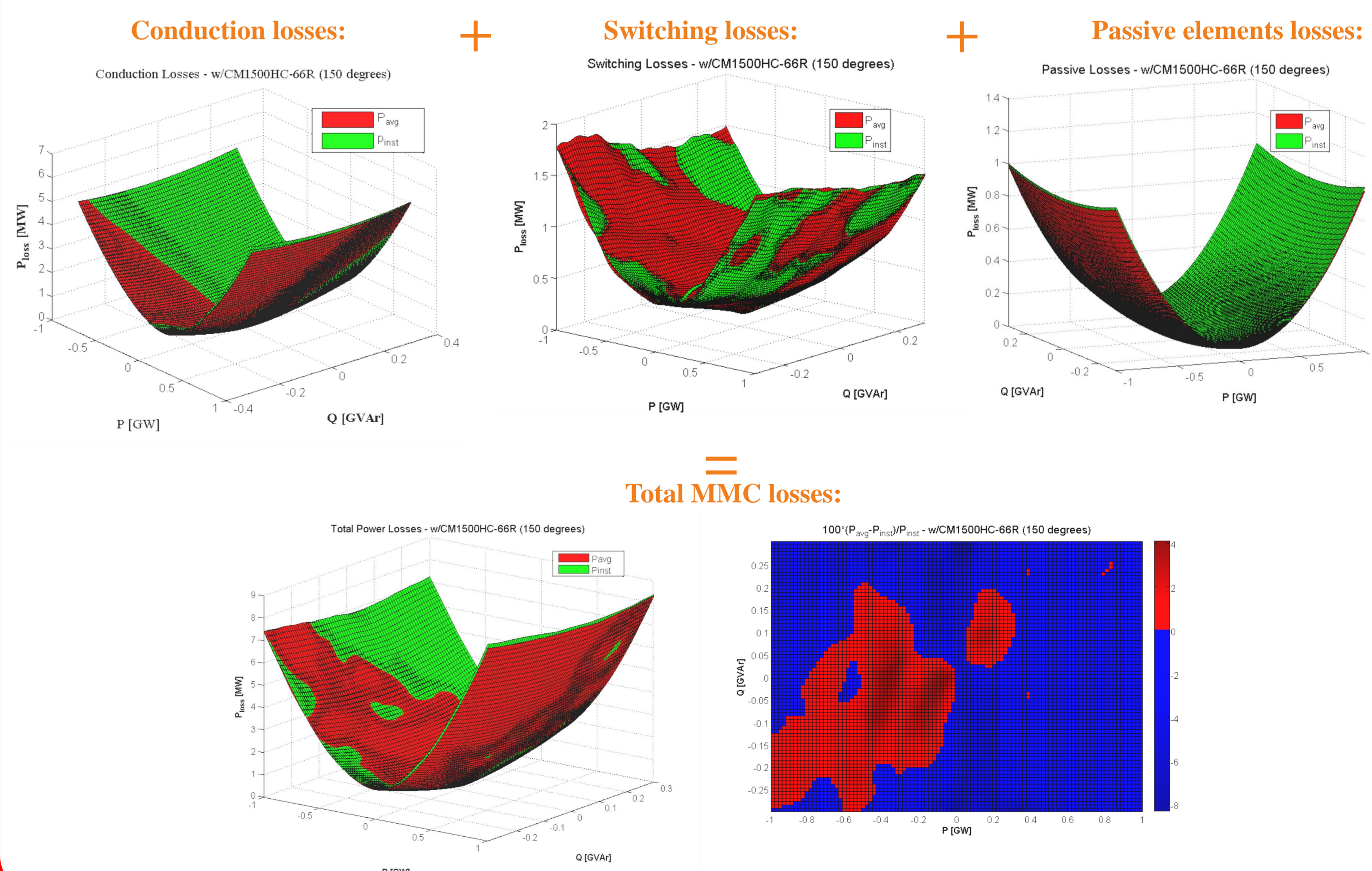
L	50 mH	C	10 mF
R	50 mΩ	N	400
L _{arm}	50 mH	V _{dc}	640 kV
R _{arm}	50 mΩ	ω	314 rad.s ⁻¹
S _N	1100MVA	V _g	192 kV
Tr _{igdq}	5ms	Tr _{ΣVci_tot}	50ms
Tr _{idiffi}	10ms	Tr _{ΔVci_tot}	100ms

At t=0.1s : a slope is done in the AC power references (Pac) equal to 0.8 GW and the reactive reference (Qac) to 100MVAR.
Before 0.55s, the Stored Energy control compensate the average power (Pac/3)
After 0.55s, the Stored Energy control compensate the instantaneous one for each phase (Pac).



Simulation Losses Comparison Results

$$\blacksquare P_{ACi} = \frac{P_{AC}}{3} \quad \blacksquare P_{ACi} = \frac{P_{AC}}{3} + V_{gi} I_{gi} \cos(2\omega t + \varphi)$$



Conclusion

The impact of two control variants (compensation of the average or the instantaneous AC grid power) : differential and AC grid currents, capacitor voltages ripple, losses.

- **compensation of the average AC grid power:**
 - differential currents are constant
 - v_{c_tot} ripple are 4% higher

- **compensation of the instantaneous AC grid power:**
 - differential currents have DC and AC components at 2ω
 - RMS differential currents is 11% higher

• **Losses**

Usual assumption is not every time validate

the MMC converter using considerable number of semiconductor; the losses are not only related to the RMS current value but also to the way of this current (diode or IGBT) → therefore to the control