



HAL
open science

Operating principle of an active lift turbine with controlled displacement

Pierre Normandajc Lecanu, Joel Breard, Dominique Mouazé

► **To cite this version:**

Pierre Normandajc Lecanu, Joel Breard, Dominique Mouazé. Operating principle of an active lift turbine with controlled displacement. 2018. hal-01852010

HAL Id: hal-01852010

<https://hal.science/hal-01852010>

Preprint submitted on 31 Jul 2018

HAL is a multi-disciplinary open access archive for the deposit and dissemination of scientific research documents, whether they are published or not. The documents may come from teaching and research institutions in France or abroad, or from public or private research centers.

L'archive ouverte pluridisciplinaire **HAL**, est destinée au dépôt et à la diffusion de documents scientifiques de niveau recherche, publiés ou non, émanant des établissements d'enseignement et de recherche français ou étrangers, des laboratoires publics ou privés.

Operating principle of an active lift turbine with controlled displacement

Pierre Lecanu, AJC Innov 401263611 *

7, chemin du Mont Desert 14400 Esquay sur Seulles - France

Joel Breard, LOMC UMR CNRS 6294, Universite du Havre

Dominique Mouaze, M2C UMR CNRS 6143, Universite de Caen

July 31, 2018

*Inventor of the active lift turbine concept

Abstract

The purpose of this article is to present in a simple principle of the turbine 'active lift turbine' and to realize a calculation approximation of the couple produces by this turbine. For a calculation more elaborate, it is necessary to read the preprint.[6]
The active lift turbine which has been the subject of several patent[2, 3, 7].

1 List of symbols

O : turbine center.

A : central gear center.

B : satellite gear center.

C : pivot connection between rod and crank.

D : pivot connection between rod and slide.

E : fixation point of the blade.

Ex : central gear eccentricity ($\overline{OA} = -Ex$).

R_b : radius of the crank ($\overline{BC} = Rb$).

R_g : radius of the central gear or satellite gear ($\overline{AB} = 2Rg$).

R : radius of the turbine.

C : blade cord.

H : blade height.

Sl : length of the slide.

Ro : length of the rod.

λ : tip speed ratio.

ρ : fluid density.

σ : blade solidity.

i : angle of incidence.

C_p : power coefficient.

C_{Betz} : Betz coefficient ($C_{Betz} = \frac{16}{27} \approx 60\%$). [1]

C_d : sectional drag coefficient.

C_l : sectional lift coefficient.

V_{fluid} : fluid speed.

V_f : fluid velocity at the turbine $V_f = \frac{2}{3}V_{fluid}$. [1]

2 The calculation of power coefficient

2.1 Geometry of the Active Lift Turbine :

The point O is the main axis of the turbine. The central gear (center A) is not coincident with the main axis O . The central gear is fixed relative to the direction of flow. The satellite gear (center B) is turning without sliding around the central gear (center A). The slide support (DE) is one of the turbine's arm and turns around the axis O . The profile (blade) is fixed with the slide bar in E . The slide bar has a reciprocating translatory motion with a low speed of movement. The rod is connected to the slide bar by a pivot connection in D and is connected to the satellite gear by a pivot connection in C . The slide bar is driven in rotation by the slide support.

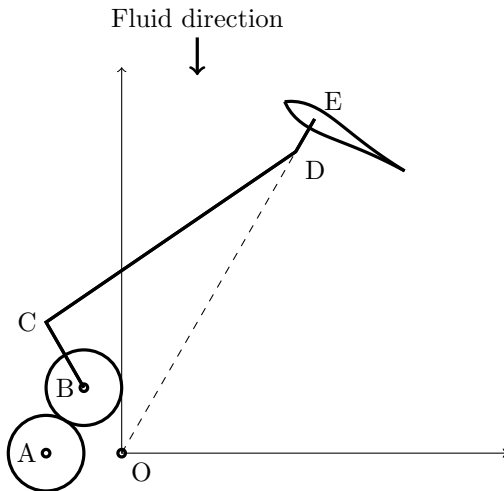


Figure 1: geometry

2.1.1 Purpose of the central gear eccentricity

A car engine is a "rod-crank" system for which the piston has an alternating translational movement. When the piston is at the top dead, the force is maximum and the torque produced is zero(5). The turbine is also a rotating rod-crank system for which the rotation center of the crank has an alternating translational movement. When the force is maximum and the torque produced is optimized(figure 4). With the eccentricity of the central gear, The trajectory of the blade follows almost the trajectory of a circle(figure 2), as for a Darrieus turbine [5]. The radial velocity of the profile is practically zero. Without eccentricity, this velocity isn't zero and it is no longer negligible(figure 3).

R_{maxi} for $\beta = 0$ ou 180 degrees

$$\begin{aligned}
 R_{maxi}(0 \text{ degrees}) &= -E_x + 2R_g + R_b + R_o + S_l \\
 R_{maxi}(180 \text{ degrees}) &= -E_x - 2R_g + R_b - R_o - S_l \\
 |R_{maxi}(0 \text{ degrees})| &= |R_{maxi}(180 \text{ degrees})| \Rightarrow E_x = R_b \quad (1)
 \end{aligned}$$

With a mathematical approach

$$\begin{aligned}
 R(\beta) &= (R_b - E_x) \cos(\beta) + 2R_g + \sqrt{R_o^2 - ((R_b + E_x) \sin(\beta))^2} + S_l \\
 \frac{dR(\beta)}{d\beta} &= (R_b - E_x) \sin(\beta) - \frac{(R_b + E_x) \sin(\beta)}{\sqrt{R_o^2 - ((R_b + E_x) \sin(\beta))^2}} \\
 \frac{dR(\beta)}{d\beta} &\rightarrow 0 \quad \text{when} \\
 R_b &= E_x \quad (2) \\
 \text{and} \quad \frac{(R_b + E_x)}{R_o} &\rightarrow 0 \quad R_o \gg (R_b + E_x)
 \end{aligned}$$

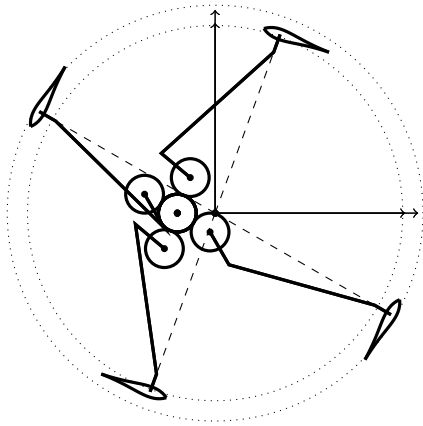


Figure 2: With the eccentricity

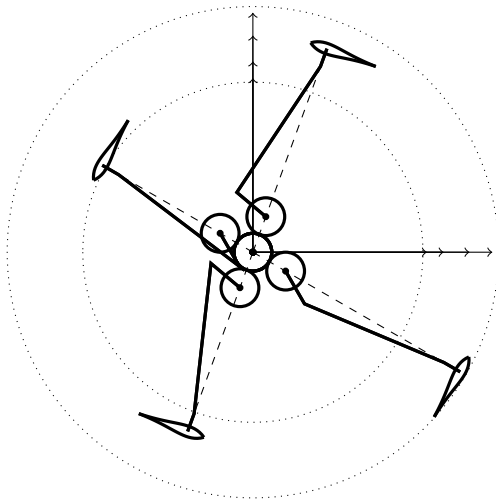


Figure 3: Without eccentricity

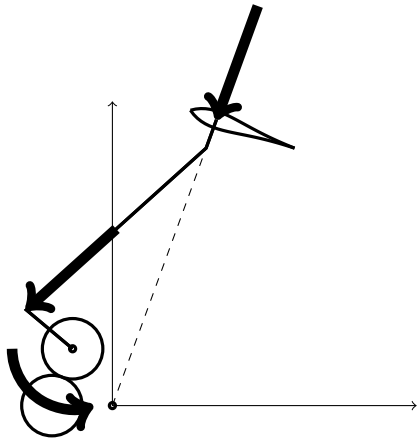


Figure 4: Active lift turbine : torque optimized

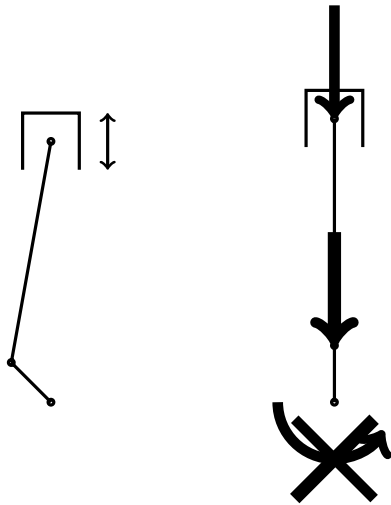


Figure 5: motor system "rod-crank": no torque

2.1.2 rapid and simplified calcul

Lift force : Tunnel tests of the tunel profiles define the lift and drag coefficient. For symmetric naca profiles type naca0012, with angles less than 13 degrees, the drag coefficient C_d is negligible and one can make an approximation of the lift coefficient by this formula $C_l \approx 0.1i$ (i : incidence angle in degrees).

For angles less than 13 degrees, it is considered that the force created by the fluid on the profil is perpendicular to the direction of the fluid and its value is:

$$F = 0.1i \frac{1}{2} \rho H C V_{fluid}^2$$

i : angle of incidence in degrees ρ : fluid density
 C : cord profil H : height profil V_{fluid} : fluid velocity

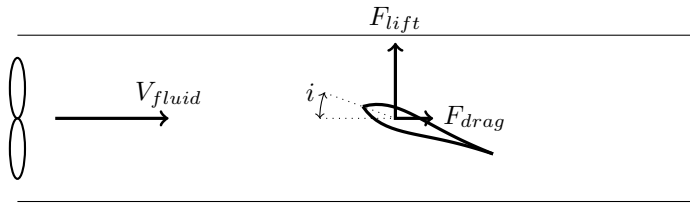


Figure 6: profil test

chord : According to the Betz theory, the fluid velocity at the turbine is $V_f = \frac{2}{3}V_{fluid}$. [1]

The coefficient ' λ : tip speed ratio' verify that the angle of incidence remains less than the maximum angle of incidence (13 degrees)

$$\lambda = \frac{\omega R}{V_f} \quad \omega = 2 \pi \cdot 60 \text{ rpm} \quad \frac{1}{\lambda} \leq \tan(10 \text{ degrees})$$

σ is the stiffness coefficient. $\sigma = \frac{\text{number}_{blade} C}{R}$

In principle, the product $\sigma \lambda$ must be less than 0.75. ($\sigma \leq \frac{0.75}{\lambda}$) [6] [4]

The chord of the profile is $C \leq \frac{0.75 R}{\lambda \text{ number}_{blade}}$



Figure 7: blade chord

Velocity relative W :

$$W \cos(i) = \omega R + V_f \cos(\beta) \quad W \sin(i) = V_f \sin(\beta)$$

$$\tan(i) = \frac{V_f \sin(\beta)}{\omega R + V_f \cos(\beta)} \quad i_{\text{approximate}} = \frac{1}{\lambda} \sin(\beta) \frac{180}{\pi} \text{ degrees}$$

$$W^2 = (\omega R + V_f \cos(\beta))^2 + (V_f \sin(\beta))^2 \quad W_{\text{approximate}} = \lambda V_f \left(1 + \frac{\cos(\beta)}{\lambda}\right)$$

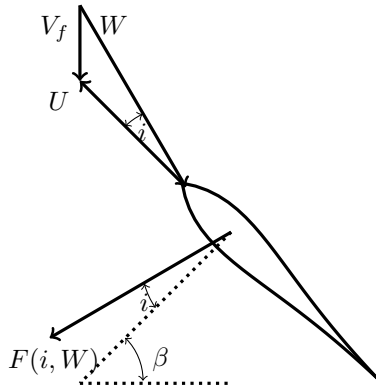


Figure 8: Velocity triangle

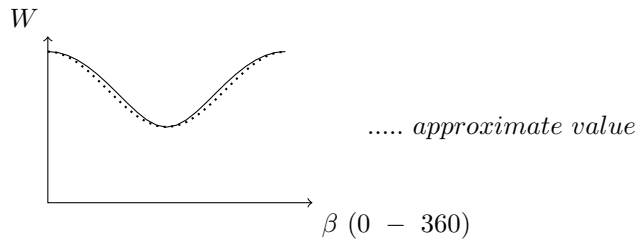


Figure 9: Relative velocity

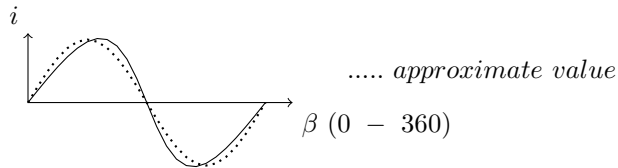


Figure 10: Angle of incidence

Force created by the fluid on the profil :

$$F(i, W) = 0.1i \frac{1}{2} \rho H C W^2 \quad i \text{ in degrees}$$

$$F_{\text{approximate}}(i, W) = 0.1 \frac{180}{\pi} \left(\frac{1}{\lambda} \sin(\beta) \right) \frac{1}{2} \rho H C \left[\lambda V_f \left(1 + \frac{\cos(\beta)}{\lambda} \right) \right]^2$$

This force can be decomposed into an axial force and a normal force.

$$F_{\text{axial}}(i, W) = F(i, W) \sin(i) \approx F(i, W) i \quad F_{\text{normal}}(i, W) = F(i, W) \cos(i) \approx F(i, W)$$

$$F_{\text{axial-approximate}}(\beta, V_f) = 0.1 \frac{180}{\pi} \rho H C V_f^2 \left(\frac{1}{\lambda} \sin(\beta) \right)^2 \left(\lambda \left(1 + \frac{\cos(\beta)}{\lambda} \right) \right)^2 \quad (3)$$

$$\left(\frac{1}{\lambda} \sin(\beta) \right)^2 \left(\lambda \left(1 + \frac{\cos(\beta)}{\lambda} \right) \right)^2 \approx (\sin(\beta))^2$$

$$F_{\text{axial-approximate}}(\beta, V_f) \approx 0.1 \frac{180}{\pi} \rho H C V_f^2 (\sin(\beta))^2 \quad (4)$$

$$F_{\text{normal-approximate}}(i, W) = 0.1 \frac{180}{\pi} \rho H C V_f^2 \left(\frac{1}{\lambda} \sin(\beta) \right) \left(\lambda \left(1 + \frac{\cos(\beta)}{\lambda} \right) \right)^2$$

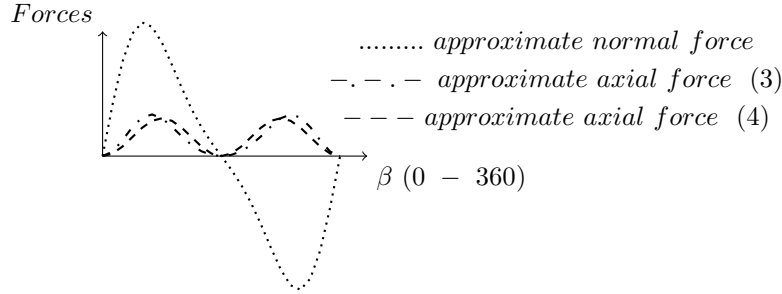


Figure 11: Axial and normal force

Torque creates by the axial force : The axial couple is similar to the torque generated by a typical Darrieus turbine.

$$T_{\text{axial}} = \frac{\text{numberblade}}{2 \pi} \int_0^{2 \pi} F_{\text{axial}}(i, W) R d\beta$$

$$R \approx -E_x + 2R_g + R_b + R_o + S_l \quad \int_0^{2 \pi} (\sin(\beta))^2 d\beta = \pi$$

$$T_{\text{axial}} = T_{\text{Darrieus}} = \frac{0.1 \text{ numberblade}}{2} \frac{180}{\pi} \rho H C V_f^2 R \quad V_f = \frac{2}{3} V_{\text{fluid}}$$

Torque creates by the normal force : System crank rod

$$y = R_b \cos(\beta) + R_o \cos(\alpha) \quad \cos(\alpha) \approx 1$$

$$Power = T\dot{\beta} = F\dot{y} \quad \dot{y} \approx \dot{\beta}R_b \sin(\beta) \quad T \approx F R_b \sin(\beta)$$

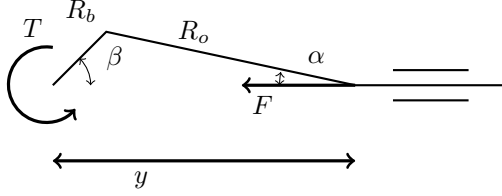


Figure 12: Crank rod

$$T_{normal} = \frac{number_{blade}}{2 \pi} \int_0^{2 \pi} F_{normal}(i, W) R_b \sin(\beta) d\beta$$

$$\frac{1}{\lambda} \sin(\beta)^2 \left(\lambda \left(1 + \frac{\cos(\beta)}{\lambda} \right) \right)^2 \approx \lambda (\sin(\beta))^2$$

$$T_{normal} = \frac{number_{blade}}{2 \pi} \int_0^{2 \pi} \frac{0.1}{2} \frac{180}{\pi} \rho H C V_f^2 \lambda R_b \sin(\beta)^2 d\beta$$

$$T_{normal} = \frac{0.1 number_{blade}}{2} \frac{180}{\pi} \rho H C V_f^2 \lambda R_b \quad V_f = \frac{2}{3} V_{fluid}$$

Rate increase :

$$\frac{T_{axial} + T_{normal}}{T_{axial}} = 1 + \lambda \frac{R_b}{R}$$

$$By \text{ using } 1 \text{ or } 2 \quad E_x = R_b$$

$$\Rightarrow \frac{T_{axial} + T_{normal}}{T_{axial}} = \frac{T_{Darrieus} + T_{normal}}{T_{Darrieus}} 1 + \lambda \frac{E_x}{R}$$

3 Conclusion :

Although the calculation is simplistic, we find the same earnings as in the preprint[6]. The yield of active lift turbine is clearly increased by report a Darrieus turbine.

References

- [1] Betz A. Das maximum der theoretisch moglichen ausnutzung des windes durch windmotoren. *Zeitschrift fur das gesamte Turbinenwesen*, (26):307–309, 1920.
- [2] P. Lecanu J. Breard. Turbine telle qu'eolienne, en particulier a axe vertical, notamment de type darrieus. Brevet INPI, 2009. N et date de publication de la demande FR2919686 - 2009-02-06 (BOPI 2009-06).
- [3] P. Lecanu J. Breard. Turbine telle qu'eolienne d'axe essentiellement vertical a portance active. Brevet INPI, July 2015. N et date de publication de la demande FR3016414 - 2015-07-17 (BOPI 2015-29).
- [4] Ir M. Godard-Ing J. David-Ing G. Genon. Optimisation d'une eolienne darrieus a pales droites, analyse du couple de demarrage et realisation d'un prototype. *ISILF Institut superieurs industriels libres francophones*, 18, 2004. Gramme Liege.
- [5] MARIE DARRIEUS GEORGES JEAN. Turbine a axe de rotation transversal a la direction du courant. Brevet INPI, May 1926. N et date de publication de la demande FR604390 - 1926-05-03.
- [6] Pierre normandajc Lecanu, Joel Breard, and Dominique Mouazé. Simplified theory of an active lift turbine with controlled displacement. working paper or preprint, April 2016.
- [7] P. Lecanu J. Breard O. Sauton. Turbine a portance active a deplacement controle. Brevet INPI, June 2015. demande 1555859, soumission 1000299939.