



HAL
open science

The catalytic effect of vanadium on the reactivity of petcokes with O₂ and NO

Sylvain Salvador, Jean-Michel Commandre, Brian R. Stanmore, Roger Gadiou

► **To cite this version:**

Sylvain Salvador, Jean-Michel Commandre, Brian R. Stanmore, Roger Gadiou. The catalytic effect of vanadium on the reactivity of petcokes with O₂ and NO. CLEAN AIR, 2006, 7 (2), p.159-173. 10.1615/InterJEnerCleanEnv.v7.i2.50 . hal-01845402

HAL Id: hal-01845402

<https://hal.science/hal-01845402>

Submitted on 6 Nov 2018

HAL is a multi-disciplinary open access archive for the deposit and dissemination of scientific research documents, whether they are published or not. The documents may come from teaching and research institutions in France or abroad, or from public or private research centers.

L'archive ouverte pluridisciplinaire **HAL**, est destinée au dépôt et à la diffusion de documents scientifiques de niveau recherche, publiés ou non, émanant des établissements d'enseignement et de recherche français ou étrangers, des laboratoires publics ou privés.

The Catalytic Effect of Vanadium on the Reactivity of Petroleum Cokes with NO

S. Salvador,^{†,§} J.-M. Commandré,[†] B. R. Stanmore,[†] and R. Gadiou*[‡]

Ecole des Mines d'Albi-Carmaux, Laboratoire de Génie de Procédés des Solides Divisés, UMR CNRS 2392, Campus Jarlard, route de Teillet, 81013 Albi CT cedex 09, France, and Laboratoire de Gestion des Risques et Environnement, 25, rue de Chemnitz, 68200 Mulhouse, France

Petroleum cokes are widely used in cement plants for energy generation. Because of their very low volatile content, the physicochemical processes occurring during their combustion should be mainly controlled by heterogeneous reactions. The reactivities of some petroleum cokes toward NO between 800 and 1000 °C have been characterized through experiments in an entrained flow reactor. These carbonaceous materials exhibit very high reactivities toward NO. Their capacity to reduce NO concentration in the surrounding gas is significant, so that this reaction can have a significant impact in terms of NO emissions resulting from their combustion. The influence of surface area and of the heavy metal content on surface reactivity was tested. As it was the case for carbon–oxygen reaction, the surface measured by mercury porosimetry seems to be a good parameter to calculate surface reaction rate. No correlation was found between calcium or iron content and NO–carbon reaction rate. As for the reaction of petroleum coke with oxygen, vanadium appears to have a catalytic effect on the reduction reaction of NO with carbon.

1. Introduction

Petroleum coke, a residue of the petroleum refining industry, is used today in large quantities as a source of energy. This solid fuel has the advantage of being easy to grind, of containing a high calorific value (between 32.5 and 34.5 MJ kg⁻¹), and of being cheap in the market place. For cement plant precalciner applications, it is ground to approximately 50% < 90 μm, and used as a coal replacement fuel. It has also been used in fluidized bed combustors, generally co-fired with coal.^{1,2} The previous years of utilization have identified a number of specificities in their utilization, particularly in terms of process control and of pollutant formation. Very little literature has been devoted to these fuels, making it difficult to interpret the differences observed in their behavior as compared with coal.

Because of the low volatile matter content of this type of fuel, the importance of heterogeneous reactions should be enhanced both for the oxidation of the carbonaceous material or for the formation of pollutants. The wide variation of reactivities of petroleum cokes toward oxygen has already been demonstrated in a previous paper;³ it has been shown that these variations

can be correlated with the catalytic effects of vanadium. The emissions of nitrogen oxides at the exhaust of a combustor are the result of a balance between the formation of NO and its reduction by homogeneous and heterogeneous reactions. Therefore, the heterogeneous reduction of NO on petroleum coke is expected to influence the nitrogen oxide level in the exhaust, and the determination of its reactivity toward NO is of interest.

The reduction of nitrogen monoxide by different sorts of carbonaceous solids has been the aim of many studies since the 1980's, because this phenomenon is important in fluidized bed combustion.⁴ Despite this large amount of published material, numerous uncertainties still remain. The mechanism of the reaction itself is not fully understood although many attempts have been presented.^{5,6} Because of this lack of established mechanism, most authors have tried to fit their experimental data with global kinetic laws. But, as it has been shown by Aarna and Suuberg in their review,⁷ large variations are observed between published data, whatever the temperature.

(3) Salvador, S.; Commandré, J. M.; Stanmore, B. Reaction rate for the oxidation of highly sulphurised petroleum cokes: the influence of thermogravimetric conditions and some coke properties. *Fuel* **2003**, *82*, 715–720.

(4) Johnsson, J. E. Formation and reduction of nitrogen oxides in fluidized bed combustion. *Fuel* **1994**, *73* (9), 1398–1415.

(5) Chan, L. K.; Sarofim, A. F.; Beer, J. M. Kinetics of the NO–carbon reaction at fluidized bed combustion conditions. *Combust. Flame* **1983**, *52*, 37–45.

(6) De Soete, G. G. Heterogeneous N₂O and NO formation from bound nitrogen atoms during coal char combustion. *23rd Symposium (International) on Combustion*; The Combustion Institute: Pittsburgh, 1990; pp 1257–1264.

(7) Aarna, I.; Suuberg, E. M. A review of the kinetics of the nitric oxide–carbon reaction. *Fuel* **1997**, *76* (6), 475–491.

* Corresponding author. Tel: (33)3 89 32 76 55. Fax: (33)3 89 32 76 61. E-mail: R.Gadiou@uha.fr.

[†] Ecole des Mines d'Albi-Carmaux.

[‡] Laboratoire de Gestion des Risques et Environnement.

[§] Tel: (33)5 63 49 31 27. Fax: (33)5 63 49 32 43. E-mail: salvador@enstima.fr.

(1) Anthony, E. J. Fluidized bed combustion of alternative solid fuels: status, successes and problems of the technology. *Prog. Energy Combust. Sci.* **1995**, *25*, 239–268.

(2) Anthony, E. J.; Iribarne, A. P.; Talbot, R.; Jia, L.; Granatstein, D. L. Fouling in a 160 MWe FBC boiler firing coal and petroleum coke. *Fuel* **2001**, *80*, 1009–1014.

To explain these differences, the chemical structure and the textural properties of the solid are the most often investigated parameters. Rodriguez-Mirasol et al.⁸ studied the influence of the rank of the parent coal on the reactivity of the char toward NO in a small scale fixed bed. He observed that lignite chars are more reactive than chars obtained from high rank coals; the graphitic structure of the char is therefore an important parameter in the determination of the reactivity. A study by Zevenhoven and Hupa⁹ on a larger number of chars led to the same conclusion. Nevertheless, these results may be mainly a consequence of the differences in texture and chemical composition of the samples. A more precise study of this point has been made by Gulyurtlu et al. who used char prepared at different temperatures from the same raw coal.¹⁰ The authors observed that the higher the preparation temperature, the more reactive the sample is. This result could be explained by an increase of surface area and also by the graphitization of the carbon structure.

To take into account the influence of the texture of the samples, most authors calculated the specific reaction rate by dividing the global rate of reaction by a surface area. This last parameter is either the CO₂ adsorption surface or the N₂ adsorption surface computed by the BET equation. Shimizu used the former surface and found a constant value of the specific reaction rate for nine samples which had surfaces ranging between 250 and 900 m²/g.¹¹ Illian-Gomez et al.¹² observed also a linear correlation between the reaction rate of carbon samples at 873 K and the BET surface area. Nevertheless, other studies showed that the specific reaction rate presents large variations as a function of the chemical composition of the carbonaceous samples.

With an experimental setup similar to Rodriguez-Mirasol, Chan et al.⁵ examined the influence of mineral matter, and observed that the demineralization of a lignite char leads to a decrease in its reactivity with NO by an order of magnitude. As for the carbon-oxygen reaction, many elements can have a catalytic effect on the NO-char and the N₂O-char reactions. Chan et al.⁵ and Zevenhoven and Hupa⁹ observed that the calcium content of the most reactive char, i.e., the lignite char, was high. Illian-Gomez et al. studied the influence of mineral matter on the rate of NO reduction over chars. They observed that whatever the temperature, the addition of a metal such as Fe, Cu, or Ni decreases the activation energy of the reaction.^{13,14} The catalytic activity of potassium and calcium was also observed.^{15,16}

(8) Rodriguez-Mirasol, J.; Ooms, A. C.; Pels, J. R.; Kapteijn, F.; Moulijn, J. A. NO and N₂O decomposition over coal char at fluidized-bed combustion conditions. *Combust. Flame* **1994**, *99*, 499–505.

(9) Zevenhoven, R.; Hupa, M. The reactivity of chars from coal, peat, and wood toward NO, with and without CO. *Fuel* **1998**, *77* (11), 1169–1176.

(10) Gulyurtlu, I.; Esparteiro, H.; Cabrital, I. N₂O formation during fluidized bed combustion of chars. *Fuel* **1994**, *73* (7), 1098–1102.

(11) Shimizu, T.; Sazawa, Y.; Adshiri, T.; Furusawa, T. Conversion of char-bound nitrogen to nitric oxide during combustion. *Fuel* **1992**, *71*, 361.

(12) Illian-Gomez, M. J.; Linares-Solano, A.; Salinas-Martinez de Lecea, C.; Calo, J. M. NO reduction by activated carbons. 1. The role of carbon porosity and surface area. *Energy Fuels* **1993**, *7*, 146–154.

(13) Illian-Gomez, M. J.; Linares-Solano, A.; Radovic, L. R.; Salinas-Martinez de Lecea, C. NO Reduction by Activated Carbons. 5. Catalytic Effect of Iron. *Energy Fuels* **1995**, *9*, 540–548.

Some authors tried to remove the mineral matter of chars in order to quantify the decrease in the reaction rate.^{17–19} The main problem is that the demineralization is never complete, so that a catalytic activity remains; another problem is that the preparation of the sample changes the textural properties of the carbonaceous solid. Despite these difficulties, a decrease of the rate of the reduction of NO on the char surface was observed in all cases.

In this work, we have characterized the kinetics of the reaction of NO reduction on the char surface of a number of petroleum cokes between 800 and 1000 °C. This temperature range is representative either for FBC combustion of petroleum coke or for the precalciner of cement plants. As we will demonstrate, this reaction has a significant impact on the global emissions of NO resulting from the combustion of the petcoke.

2. Experimental Section

2.1. Experimental Setup. To characterize the reaction kinetics in conditions close to those of a fluidized bed or of an entrained flow such as a cement plant precalciner, a set of experiments was carried out in a laboratory scale entrained flow reactor (EFR). Although many different experimental devices may be used to obtain heterogeneous reactions kinetics such as a thermogravimetric apparatus or fixed beds,^{6,8,20} the EFR has been widely used because it allows the dispersion of particles in a gas flow. Therefore the diffusion limitations observed in fixed beds can be avoided. Another advantage is that high temperatures may be reached.^{21,22}

The reactor design has already been detailed elsewhere.^{3,23} The apparatus shown in Figure 1 consists of an 80 mm i.d. and 1 m long isothermal fused silica reactor fed with an electrically preheated gas flow. A stream of powdered fuel particles was injected through a water-cooled feeding probe. Care was taken to obtain a good dispersion of the particles on a cross section of the reactor by placing a dispersion dome 1 mm downstream from the tip of the feeding probe.

The gas was sampled after a controlled residence time through a water-cooled nitrogen-quenched probe. It was then analyzed; NO, CO, and CO₂ were quantified by on-line NDIR

(14) Illian-Gomez, M. J.; Linares-Solano, A.; Salinas-Martinez de Lecea, C. NO Reduction by Activated Carbons. 6. Catalysis by transition metals. *Energy Fuels* **1995**, *9*, 976–983.

(15) Illian-Gomez, M. J.; Linares-Solano, A.; Radovic, L. R.; Salinas-Martinez de Lecea, C. NO Reduction by Activated Carbons. 2. Catalytic Effect of Potassium. *Energy Fuels* **1995**, *9*, 97–103.

(16) Illian-Gomez, M. J.; Linares-Solano, A.; Radovic, L. R.; Salinas-Martinez de Lecea, C. NO Reduction by Activated Carbons. 3. Catalysis by Calcium. *Energy Fuels* **1995**, *9*, 112–118.

(17) Guo, F.; Hecker, W. C. Effects of CaO and burnout on the kinetics of reduction by Beulah zap char. *26th Symposium (International) on Combustion*; The Combustion Institute: Pittsburgh, 1996; pp 2251–2257.

(18) Aarna, I.; Suuberg, E. M. The role of carbon monoxide in the NO-carbon reaction. *Energy Fuels* **1999**, *13*, 1145–1153.

(19) Peter, M. *Reactivite des oxydes d'azote formes lors de la combustion de charbon en lit fluidise circulant*. Ph.D. Thesis, University of Mulhouse, 2000.

(20) Suuberg, E. M.; Teng, H.; Calo, J. M. Studies on the kinetics and mechanism of the reaction of NO with carbon. *23rd Symposium (International) on Combustion*; The Combustion Institute: Pittsburgh, 1990; pp 1199–1205.

(21) Levy, J. M.; Chan, L. K.; Sarofim, A. F.; Beer, J. M. NO-char reactions at pulverized coal flame temperatures. *18th Symposium (International) on Combustion*; The Combustion Institute: Pittsburgh, 1980; pp 111–120.

(22) Song, Y. H.; Beer, J. M.; Sarofim, A. F. Reduction of Nitric Oxide by Coal Char at Temperatures of 1250–1750 K. *Combust. Sci. Technol.* **1981**, *25*, 237–240.

(23) Van de Steene, L.; Salvador, S.; Charnay, G. Controlling powdered fuel combustion at low temperature in a new entrained flow reactor. *Combust. Sci. Technol.* **2000**, *159*, 255–279.

Table 1. Ultimate and Proximate Analysis and Lower Calorific Value of the Samples^a

sample	ultimate analysis (% raw)					proximate analysis (% raw)			surface analysis		
	C	H	O	S	N	VM	ash	LCV (kJ/g)	BET (m ² /g)	Hg ₂₀ (m ² /g)	ε
petcoke Lily	87.8	3.51	1.1	7.47	1.61	10.5	0.33	34.45	4.5	1.77	0.57
petcoke Havre CDP	87.9	3.51	1.1	7.08	1.51	10.1	0.38	34.35	10.0	2.20	0.57
petcoke Asland	89.4	3.60		4.02	1.88	10.1	0.47	34.50	5.3	1.82	0.59
petcoke Villauengas	88.4	3.70		6.16	1.56	11.0	0.12	34.35	6.2	2.00	0.65
petcoke St Constant	88.5	1.94		6.00	1.63	5.2	0.50	32.50	6.3	1.33	0.54
petcoke Niebla	85.8	3.50		5.85	1.70	11.1	3.35	33.40	4.8	1.80	0.66
coal Ivan	67.0	4.54	11.3	0.24	1.85	30.7	13.23	25.95	64.0	8.30	0.73
activated carbon	85.9	0.60		0.50	0.11		2.70		890.0	12.89	0.78

^a The BET, the Hg₂₀ surface area, and the porosity ε are those of the chars.

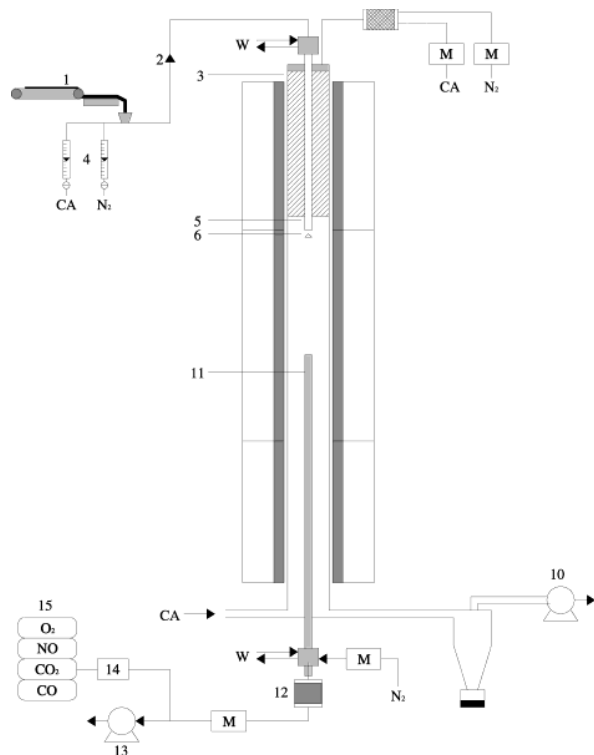


Figure 1. Entrained flow reactor: (1) Conveyor belt/vibrating feeder/ejector; (2) pneumatic transport; (3) electrical preheater; (4) flow meters; (5) water-cooled feeding probe; (6) dispersion dome; (7) three-zone electrical furnace; (8) 80 mm i.d. quartz tube reactor; (9) cyclone collector; (10) exhaust fan; (11) water-cooled nitrogen-quenched sampling probe; (12) particle collector (filter); (13) sampling pump; (14) gas conditioner; (15) gas analyzers (infrared/paramagnetic); M, mass flow meters and controllers; N₂, nitrogen; C.A., compressed air; W, water (probes cooling).

analyzers, and gaseous hydrocarbons were measured with a flame ionization analyzer.

2.2. Samples Characterization. Eight samples were used in this work, six petroleum cokes, a bituminous coal and an activated carbon. The petcoke samples used in this study were sampled at different industrial sites; no data concerning their origin was available. Table 1 gives the results of the proximate and ultimate analyses. They show very similar compositions in terms of the percentages of C and H. As expected for heavy petroleum fuels, the natural sulfur contents are high, and range between 4% and 7.5%. The fuel nitrogen concentrations are similar for all of the petcoke samples. The proximate analysis indicates low volatile matter and low ash content. The aim of this work was to extract kinetic data for a number of petcoke samples and to study the influence of the nature of the sample. Then, all the chars were prepared at the same temperature and their reactivity was studied as a function of temperature. The chars were obtained by pyrolyzing the fuel samples in the EFR at

900 °C. The bituminous coal (Ivan Coal) was used as a reference to a classical fuel, and the activated carbon (AC) was retained as a high BET area carbon for considerations of reactive surface, as discussed further. The analyses of these two fuels are also given in Table 1.

Prior to all analysis and experiments, all the fuels were ground to less than 200 μm, dried, and the fraction 30–100 μm was selected by pneumatic sieving. Particles of less than 30 μm were removed to enable regular feeding of the fuel during EFR experiments.

To obtain a good characterization of the texture of the char samples, the surface areas were measured using two methods:

- nitrogen adsorption at 77 K with the BET equation,
- mercury porosimetry to quantify the surface area of the mesopores and macropores of the particles. This method was used to measure the surface area of pores larger than 20 nm (Hg₂₀).

The surface Hg₂₀ was here derived from mercury porosimetry tests, using the standard pore model proposed by Satterfield,²⁷ in which the pore diameter is calculated from the porosity ε, the particle density ρ_p, and the pore surface area S as follows:²⁶

$$d_p = \frac{4\epsilon}{\rho_p S}$$

The adsorption of CO₂ at 293 K also allows the determination of a surface area with the help of models such as the Dubinin-Polanyi equation. The problem is that in many experiments, the access of the gaseous reactant to micropores is difficult. As a result, this method was not used in this work. The porosity was obtained by helium pycnometry. Table 1 presents the results of this characterization. The values of the surface areas of the petcoke samples are very low compared, for instance, to that of the coal, which typically exhibits BET area of several tens or hundreds of m² g⁻¹. It should be noted that the petcoke samples exhibit lower surface area than many samples used in previously published studies.^{5,8,11}

The concentrations of 7 elements known for their catalytic activity in carbon reactions were analyzed: vanadium, copper, molybdenum, iron, potassium, calcium, and manganese; the results are reported in Table 2. As in heavy fuel oils, large amounts of vanadium are found. This element is present in quantities as large as 0.26% of the dry mass in Asland petcoke. The other metals are much less concentrated, apart from iron in St Constant (0.17%) and in Lily (0.061%).

2.3. Reaction of Chars with NO in the EFR. The reactivity toward NO of chars has been determined from EFR

(24) Radovic, L. R.; Walker, P. L.; Jenkins, R. G. *Fuel* **1983**, *62*, 849–857.

(25) Aarna, I.; Suuberg, E. M. *27th Symposium (International) on Combustion*; The Combustion Institute: Pittsburgh, 1998; pp 2933–2939.

(26) Commandré, J. M.; Stanmore, B.; Salvador, S. The High Temperature Reaction of Carbon with Nitric Oxide. *Combust. Flame* **2002**, *128*, 211–216.

(27) Satterfield, C. N. *Mass Transfer in Heterogeneous Catalysis*; Krieger Publishing Company: 1981.

Table 2. Analysis of Five Metals, K, and Ca in the Petcoke (ppm raw)

sample	V	Cu	Mo	Fe	K	Mn	Ca
Lily	507	9.1	7.0	615	45	5.1	220
Havre CDP	819			6			180
Asland	2570	1.9	1.4	93	10	0.5	20
Villauengas	1390	3.8	17.3	20	17	2.6	100
St Constant	899	6.1	26.3	1740	15	17.1	150
Niebla	1830	3.1	16.6	381	57	6.1	2190

Table 3. Reduction Yields of NO by the Different Chars during EFR Experiments (in mol %)^a

sample	800 °C	900 °C	1000 °C
petcoke Lily	1.2	15.7	59.9
petcoke Havre CDP	6.3	15.2	58.8
petcoke Asland	11.1	35.0	74.7
petcoke Villauengas	23.0	42.4	77.4
petcoke St Constant	3.8	18.4	63.4
petcoke Niebla	9.4	42.4	74.6
coal Ivan	57.6	84.7	96.3
activated carbon	27.2	44.8	69.1

^a The initial NO concentration was 955 ppmv.

experiments. The chars were previously prepared by passing the fuels in 4.16% O₂ in nitrogen through the EFR at 900 °C.

The experiments to characterize the chars reactivities toward NO were carried out at three temperatures—800, 900, and 1000 °C, so that an activation energy can be determined. The particles feed flowrate was 1.5 g/min. The gas feed flow was a mixture of 955 ppm of NO in nitrogen, and the flow rate was 10 L/min (NTP). Under these experimental conditions, the residence time ranged between 3.25 and 3.6 s, depending on temperature. If we assume a homogeneous dispersion of the particles in the volume of the reactor, the solid concentrations in the tubular reactor are equal to 38, 35, and 32 g/m³ for experiments at 800, 900, and 1000 °C, respectively.

We report in Table 3 the NO reduction yield for the different samples as a function of temperature. The decrease of NO concentration between injection and the bottom of the reactor vary between 11 ppmv for Lily petcoke char at 800 °C and 920 ppmv for the coal char at 1000 °C. It is obvious from these results that the quantity of NO that can be reduced on petroleum coke, in the presence of an NO concentration similar to that in an industrial furnace, is very large. In agreement with previous studies in this temperature range, the influence of temperature is important. For example, Chan et al.⁵ reported activation energies larger than 200 kJ/mol for graphite and char samples.

For all experiments, the concentration of hydrocarbons at the exhaust of the reactor was below 20 ppmv. Small amounts of CO were detected which could be related mainly to the reaction 2NO + 2C → 2CO + N₂. In most cases, the CO measured was higher than the NO consumed; the excess of CO ranged between 0 and 500 ppmv for all experiments. This excess can be attributed to the desorption of CO from the oxygen adsorbed on the char.

There have been numerous studies in which the enhancement of the NO reduction rate by CO was reported.^{5,18} This leads to difficulties in the kinetic interpretation of the experimental results since CO is a product and a reactant.⁷ Two explanations have been presented to explain this behavior:

- the stripping of surface oxides by CO through the reaction CO + C(O) → CO₂ + C*. This process can be significant at low temperature when the desorption of surface oxides is slow,
- the catalysis of the reaction NO + CO → 0.5N₂ + CO₂ by various substances such as the char itself.

It must be noticed that, in other studies, it has been observed that the addition of low concentrations of CO (i.e., below 700 ppmv) does not lead to an increase of the char–NO reaction rate.⁴ The order of the reaction with respect to CO is

also not known. The study of this complex phenomenon was outside the scope of this work, and it was decided to analyze the experimental results in a classical way with a single first-order kinetic law.

The concentration of CO₂ was not significant. This is consistent with previously published studies in which it has been shown that the CO/CO₂ ratio is very high in this temperature range.⁷ The low amount of carbon oxides and hydrocarbons shows also that there is no significant further devolatilization of the chars during the experiments in the EFR.

As expected, the coal char and the activated carbon lead to the highest reaction yield; this can be related to the high surface areas of these two samples. The elemental and proximate analyses of the six petcoke are similar, so that one could expect to observe the influence of the texture of the samples. Among the petroleum coke samples, Havre CDP, which exhibits the highest surface area, does not lead to the highest reduction yield. Therefore, other parameters such as catalytic elements must influence the reactivity.

3. Discussion

The rate constants were determined by fitting the experimental results with those from a model. As pointed out by Aarna and Suuberg in their review,⁷ many published results use the mass of NO divided per mass of char per unit time per unit pressure of NO to define their rate constant. In this work we use a similar definition for the chemical reaction rate constants, but we take into account the surface area of the samples. Therefore, the reaction rate was expressed as follows:

$$\frac{dm_{\text{NO}}}{dt} = -k m_c S_{\text{sp}} \eta_{\text{NO}} P_{\text{NO}}$$

with

$$k = A e^{(-E/RT)}$$

where [NO] is the molar concentration of NO in the gas and C_c is the concentration of carbonaceous material in the gas. η_{NO} is the effectiveness factor, as calculated from the Thiele modulus for a reaction order equal to 1. Some authors have observed reaction orders toward NO which range between 0.2 and 0.8 for this reduction reaction.^{8,28} Nevertheless, most studies used a reaction order of 1, whatever the experimental setup used to obtain the results.^{20,22}

To fit experimental data, a mass balance was done between the entry and the exhaust of the entrained flow reactor. The main assumptions of this model are the following:

- the zone close to the axis is a plug flow reactor,
- the dispersion of the particles in the gas is homogeneous,
- the particles velocity is equal to the gas velocity.

The details of the calculations are given elsewhere.²⁶ An iterative computation was used to obtain the effectiveness factor η_{NO} and the Arrhenius parameters for each sample.

The plots in Figure 2 and Figure 3 allow the comparison between the reactivities of the different petcoke chars and that of the coal char. Shimizu et al. were able to find a correlation between CO₂ surface area and NO–

(28) Schuler, J.; Baumann H.; Klein, J. Kinetics of NO reduction by coal char. *Conf. (Int.) Coal Sci.* **1987**, 857–860.

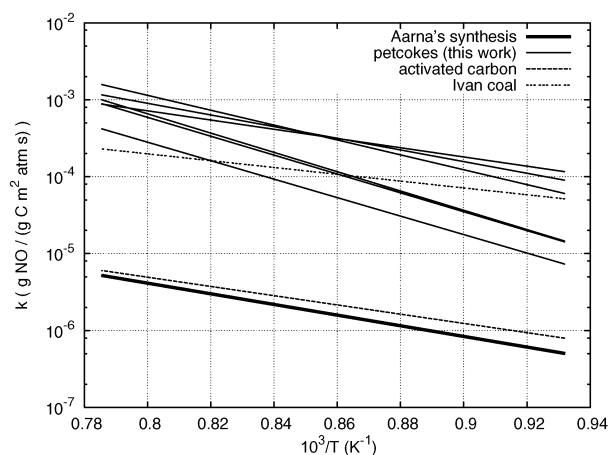


Figure 2. Arrhenius representation for the reaction rate of carbon toward NO, specified on BET area.

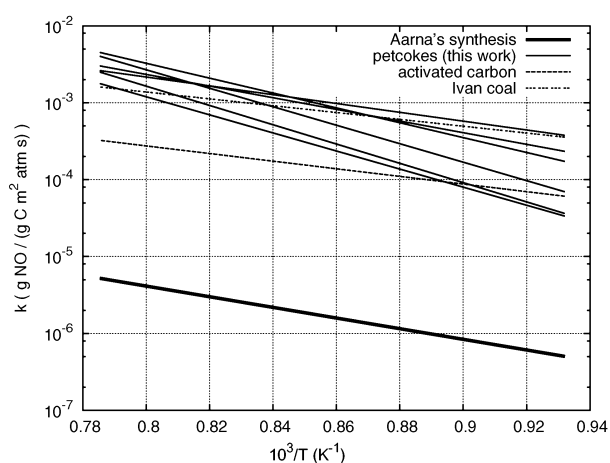


Figure 3. Arrhenius representation for the reaction rate of carbon toward NO, specified on Hg_{20} area.

char reactivity,¹¹ but this was not possible in some others studies.⁸ Aarna and Suuberg⁷ have proposed a synthesis of the reaction rates, specified on BET areas, derived by a number of authors. Their correlation was converted to the same units as the ones used in this work, and plotted in Figures 2 and 3. The spread in the reaction rates is much more important in Figure 2, on BET area base, than in Figure 3, which was plotted on Hg_{20} base.

Radovic et al.²⁴ expressed as early as 1983 that BET area is an inadequate basis for the expression of reactivity. Aarna and Suuberg²⁵ showed that micropores hardly participate in the reaction between oxygen and carbon. In a recent work by Salvador et al.,³ it was shown that the scatter in the reactivities of carbons of various forms was much smaller when the surface of the pores larger than 20 nm (Hg_{20}) was used to express the reactive surface, instead of the total pore surface. This tends to confirm that micropores smaller than 20 nm do not participate in the reaction. A study on the reactivity of carbons issuing from different origins with NO lead Commandre et al.²⁶ to the same conclusion.

It appears to be the case that excluding the surface area of the small pores (i.e., with diameters lower than 20 nm) from the reactive surface reconciles the data from various forms of carbon; and thus Hg_{20} surface area is likely to be a better indicator of the real reactive

Table 4. Activation Energies and Effectiveness Factor η_{NO} for NO Reduction (computed with Hg_{20} surface area)

sample	activation energy (kJ/mol)	effectiveness factor (-)
petcoke Lily	240	0.928–0.999
petcoke Havre CDP	230	0.936–0.999
petcoke Asland	185	0.883–0.994
petcoke Villauengas	115	0.940–0.990
petcoke St Constant	235	0.902–0.998
petcoke Niebla	145	0.944–0.995
coal Ivan	85	0.879–0.968
activated carbon	115	0.992–0.998

surface than BET. We have already reported this result for carbon oxidation in a previous work.³ Petcoke again exhibit very high reactivities as compared with results from the literature.⁷

Most authors have observed that the activation energy increases in value at temperatures between 800 and 1000 K. Although there are large variations in the measured activation energies, the values generally measured change from 75 kJ/mol below 950 K to 180 kJ/mol above this temperature.^{5,20,29} The low activation energy observed at low temperature has been related to the limitation by the desorption of reaction products; a limitation which disappears as the temperature increases. The rate of the high temperature reaction is therefore controlled by the dissociative adsorption of NO on the carbon surface. As shown in Table 4, we observed large variations of the activation energies of the different samples tested in this study, as the values obtained with the six petcoke range from 115 to 240 kJ/mol. These values are in good agreement with previously published data. It must be noticed that the three samples which lead to activations energies close to 235 kJ/mol are the ones which have a low vanadium content. This value is in the highest range of activation energies found in the literature,^{5,15,29} and may be related to the non-catalyzed reaction of NO with carbon.

The catalytic effect of metals on the reaction of C with NO can be estimated from Figures 4 and 5 where the metal concentration was plotted versus the reaction rate at 1200 K, using Hg_{20} as the area base. Figure 5 shows that a clear correlation appears between the vanadium content of the petcoke and reactivity toward NO. The correlation factor for the linear least-squares estimation is $r^2 = 0.72$. This shows that vanadium can have a catalytic effect even in the case of a rapid reaction. The ratio between the reaction rate of the more reactive petcoke and that of the less reactive one is 3.5. The two other elements which are presented in this figure are iron and calcium; it can be observed that there is no clear correlation between reaction rate and the concentrations of these two elements. As pointed out in the Introduction, Ca has often been presented as an active catalyst for reduction reactions.^{9,17,19} It must be noticed that the concentration of Ca in petcoke is lower than that of the char samples used in most studies. The concentration of iron in petcoke is high and an influence of this metal on the NO–char reaction rate could be expected.³⁰ Nevertheless, this catalytic activity of iron

(29) Furusawa, T.; Tsunoda, M.; Tsujimura, M.; Adschiri, T. Nitric oxide reduction by char and carbon monoxide. *Fuel* **1985**, *64* (9), 1306–1309.

(30) Allen, D.; Hayhurst, A. N. *FBC Technology and the Environmental Challenge*; Adam Hilger: Bristol, U.K., 1991.

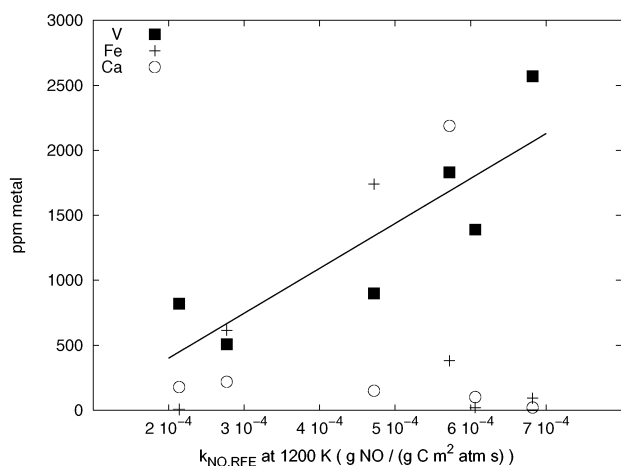


Figure 4. V, Fe, and Ca content of the petcoke versus their reaction rate toward NO at 1200 K. The line is a linear correlation for vanadium.

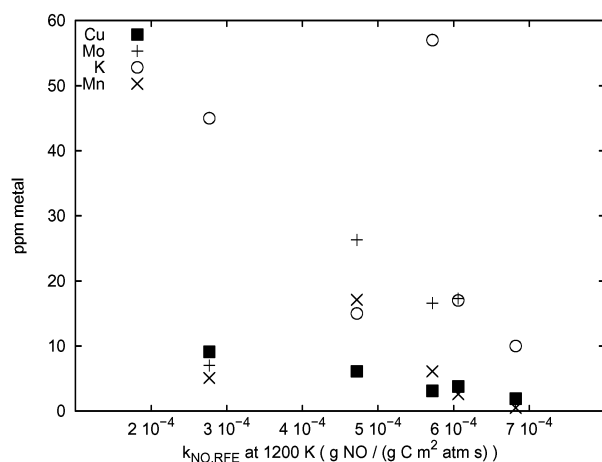


Figure 5. Trace metals content of the petcoke versus their reaction rate toward NO at 1200 K.

was not observed in some other studies,⁹ and Illian-Gomez et al.¹³ observed a high activity of Fe only at low temperature (i.e., below 700 K).

Figure 5 presents the four metals which are present in low concentration in petroleum cokes. Although potassium has often been found as an active element whatever the temperature,¹⁵ it is obvious that its low concentration leads to a negligible influence on char reactivity compared to that of vanadium. The same explanation can be applied for copper, molybdenum, and manganese.

The calculation of the particle-related effectiveness factor (following the model of Commandre et al.²⁶) leads to values between 0.7 and 1 if BET surface area is used. As it is presented in Table 4, if Hg_{20} surface area is used, η_{NO} is above 0.88 for all the samples whatever the experimental temperature. This shows that NO mass transfer in the porous structure of the chars does not control the reaction yield. This explains why the catalytic effect of vanadium on the reaction is clearly evident here. This was not the case for the reaction of C with O_2 from air during our TG experiments, where oxygen transfer was apparently limiting the combustion velocity.³

4. Conclusion

A study of the reaction of NO on petroleum cokes has been carried out in an entrained flow reactor. It was observed that petcoke are very reactive forms of carbon in the heterogeneous reaction of carbon with NO, resulting in NO concentration depletions of hundreds of ppmv after a residence time of less than 1.5 s at temperatures in the range 800–1000 °C.

For the heterogeneous reaction considered, we have shown that excluding the surface of the pores smaller than several tens of nanometers from the total pore surface lead to more uniform values for the reaction rates of chars from different origins. This tends to confirm the assumption that small pores do not participate in these heterogeneous reactions. We think that the surface area of the pores larger than 20 nm which is calculated from mercury porosimetry measurements is a better estimate of the reactive surface than the total pore area determined by classical BET tests or by CO_2 adsorption experiments.

A ratio of 3.5 is indicated between the reaction rates at 1200 K of the more reactive and the less reactive petcoke chars. Seven elements (vanadium, copper, molybdenum, iron, potassium, calcium, and manganese) which are known as catalysts for this sort of reaction were analyzed to explain the different reactivities of petcoke. Although petroleum cokes are low-ash-content fuels, the analysis of these seven elements indicated vanadium contents as high as 0.26%. Among these elements, vanadium appears to be responsible for the high variation of reactivities which are observed for the petcoke chars, and a clear correlation could be found between the vanadium content of the sample and its reactivity toward NO.