



**HAL**  
open science

## Combustion of a single aluminum droplet burning in O<sub>2</sub>/CO<sub>2</sub>/N<sub>2</sub> mixtures

Alexandre Braconnier, Stany Gallier, Christian Chauveau, Fabien Halter

► **To cite this version:**

Alexandre Braconnier, Stany Gallier, Christian Chauveau, Fabien Halter. Combustion of a single aluminum droplet burning in O<sub>2</sub>/CO<sub>2</sub>/N<sub>2</sub> mixtures. 37th International Symposium on Combustion, Jul 2018, Dublin, Ireland. hal-01842345v2

**HAL Id: hal-01842345**

**<https://hal.science/hal-01842345v2>**

Submitted on 19 Jul 2018 (v2), last revised 23 Jul 2018 (v3)

**HAL** is a multi-disciplinary open access archive for the deposit and dissemination of scientific research documents, whether they are published or not. The documents may come from teaching and research institutions in France or abroad, or from public or private research centers.

L'archive ouverte pluridisciplinaire **HAL**, est destinée au dépôt et à la diffusion de documents scientifiques de niveau recherche, publiés ou non, émanant des établissements d'enseignement et de recherche français ou étrangers, des laboratoires publics ou privés.

# COMBUSTION OF ALUMINUM PARTICLES IN SOLID ROCKET MOTORS

## Background

Metal combustion has an interesting **energetic potential** and an elevated temperature flame. According to its high energetic density, **aluminum micrometric particles** are currently used in industrial solid propellants, especially to **increase thrust** of solid rocket motors (SRM). However, aluminum particles combustion is a complex process sensitive to many parameters. Indeed it is already proved that combustion time depends on particle diameter. Thus, the initial particle size impacts combustion dynamic and larger particles burn as vapor flame in a **diffusion mode** whereas smaller particles combustion occurs in a **kinetic-limited regime**. Relying on experiments, different other factors like **pressure** or **ambient composition** change the aluminum **burning time** and determination of dependence with influencing parameters is an ongoing effort to elaborate accurate correlations, especially in less documented atmospheres such as CO, CO<sub>2</sub> or H<sub>2</sub>O which are oxidizers released by solid propellant combustion.

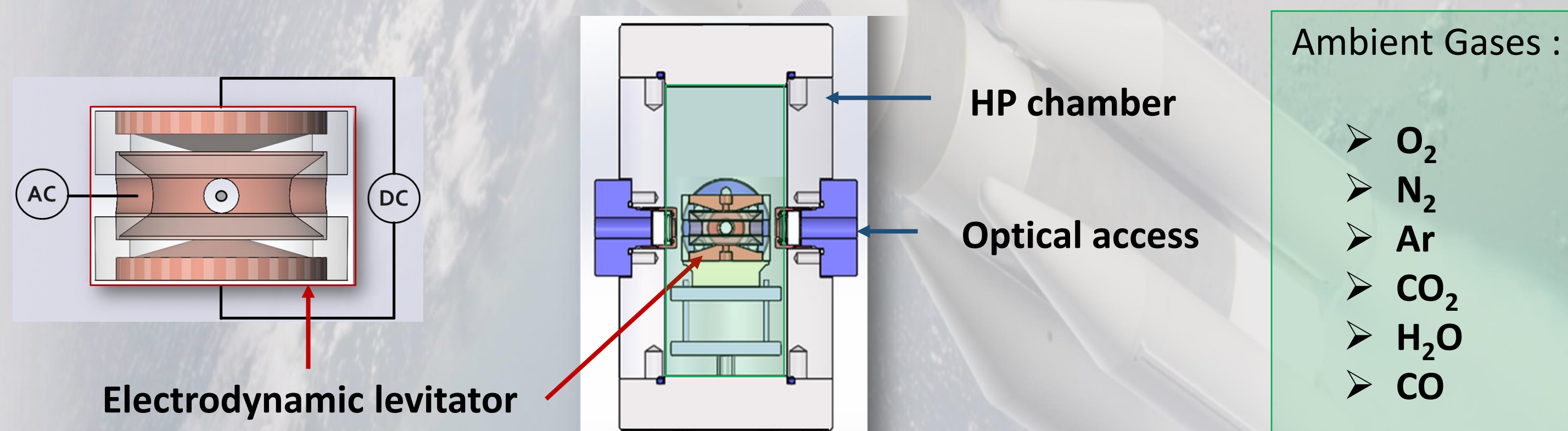
## Objectives

Explain and quantify influence of ambient SRM conditions on combustion process analyzing single burning aluminum particle :

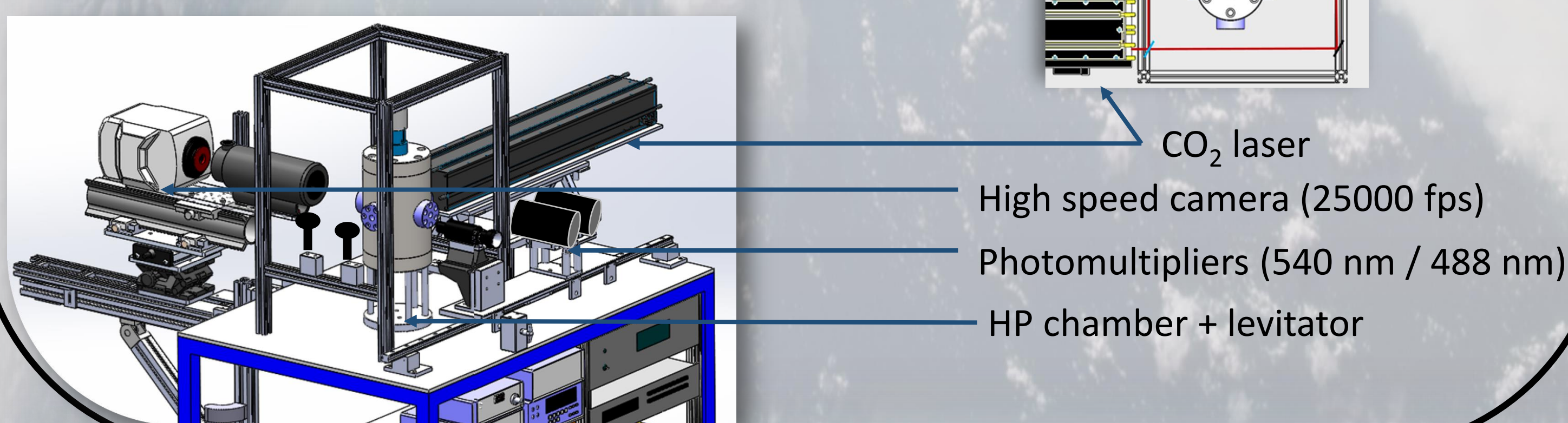
- Development of an experimental technique with high-speed image processing
- Determination of combustion time dependence to improve numerical simulations
- Improvement of phenomenological understanding

## Experimental set-up

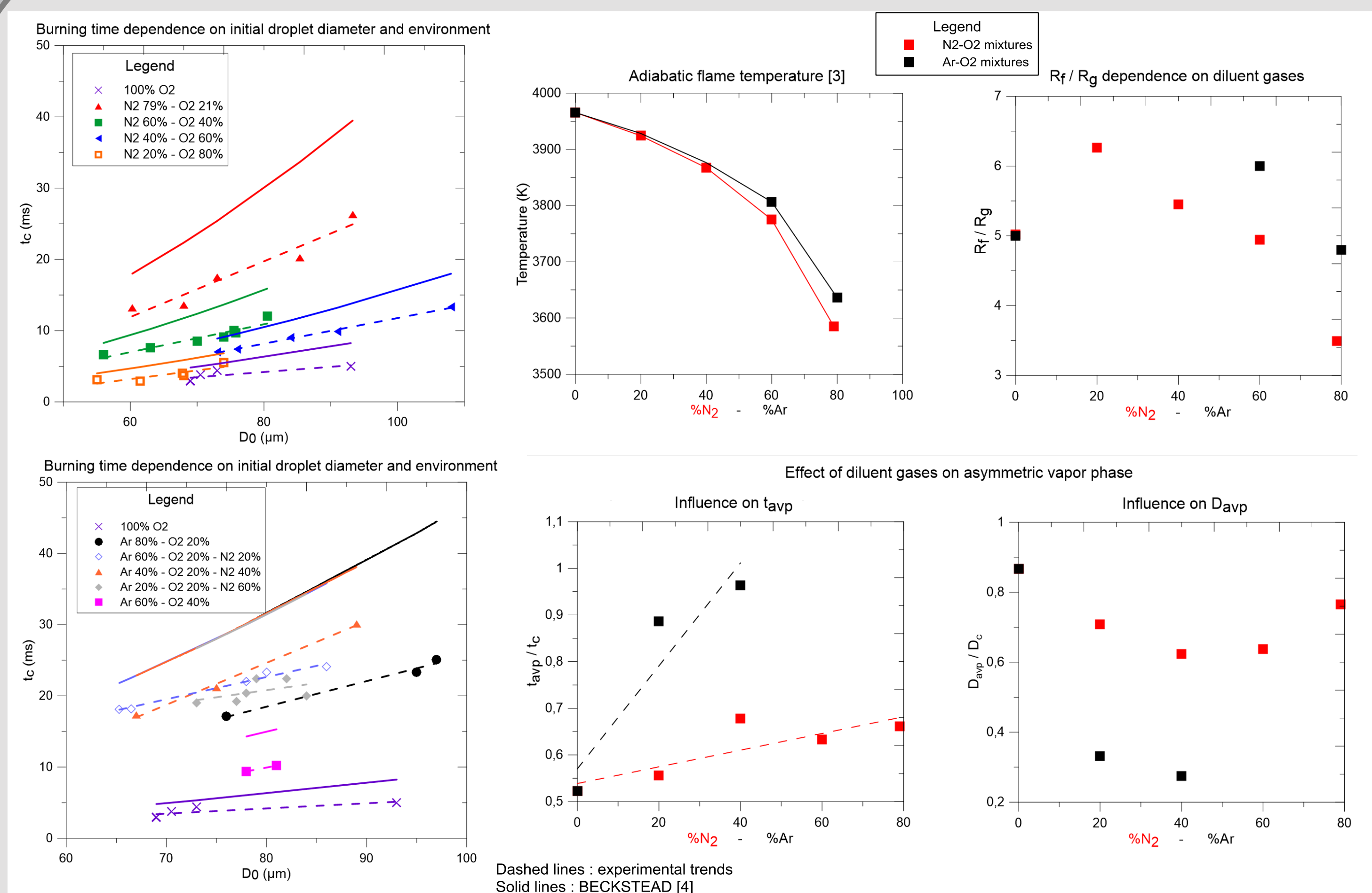
- Single aluminum particle (30-150µm) is isolated in an electrodynamic levitator confined in a high pressure chamber supplied by various gases [1].



- Autonomous combustion is initiated by using a separated CO<sub>2</sub> laser beam.
- Optical signature of burning aluminum particle is recorded using filtered photomultipliers and a high-speed camera.



## Combustion in various mixtures at atmospheric pressure : O<sub>2</sub>-N<sub>2</sub>-Ar



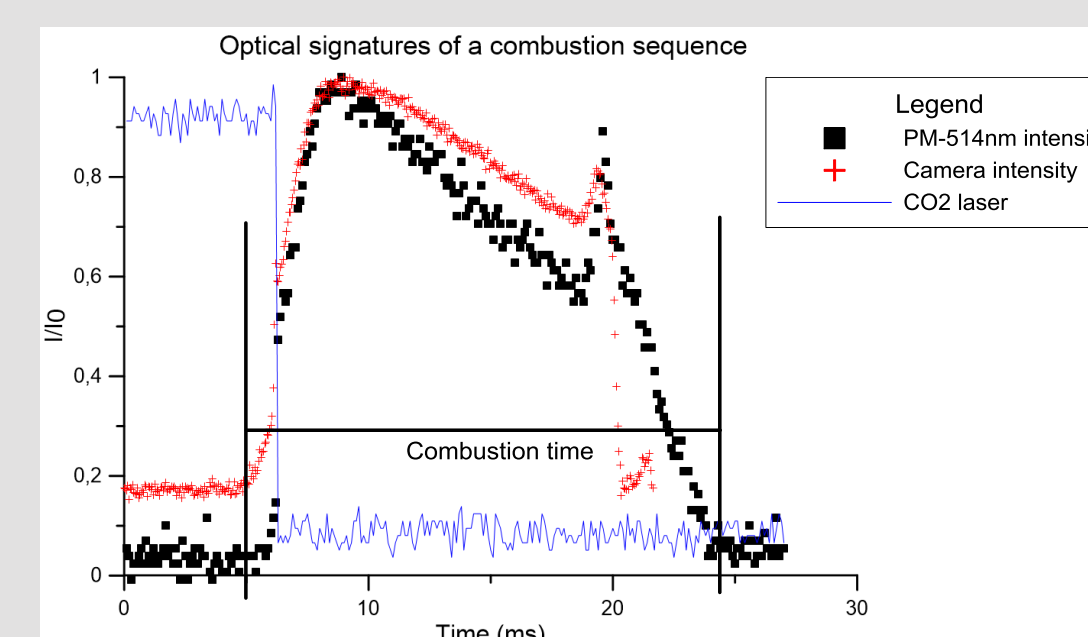
- Varying diluent environment, both in composition and proportion, modify combustion times and related parameters of asymmetric vapor phase.
- N<sub>2</sub> and Ar species have similar influences on combustion dynamic but N<sub>2</sub> has a more considerable effect, favoring the apparition of asymmetric vapor phase in comparison with Ar.

## Future works

- Further investigations to understand and quantify the occurrence of asymmetric phase and its influence on burning parameters varying surrounding composition and pressure.
- Determine correlations between burning time and initial diameter based on regression ratio estimated by image processing.
- Analyze combustion of aluminum particles in CO<sub>2</sub>, CO, H<sub>2</sub>O vapor and mixtures.

## Results

- Recording of optical emissions and laser signal during combustion sequences

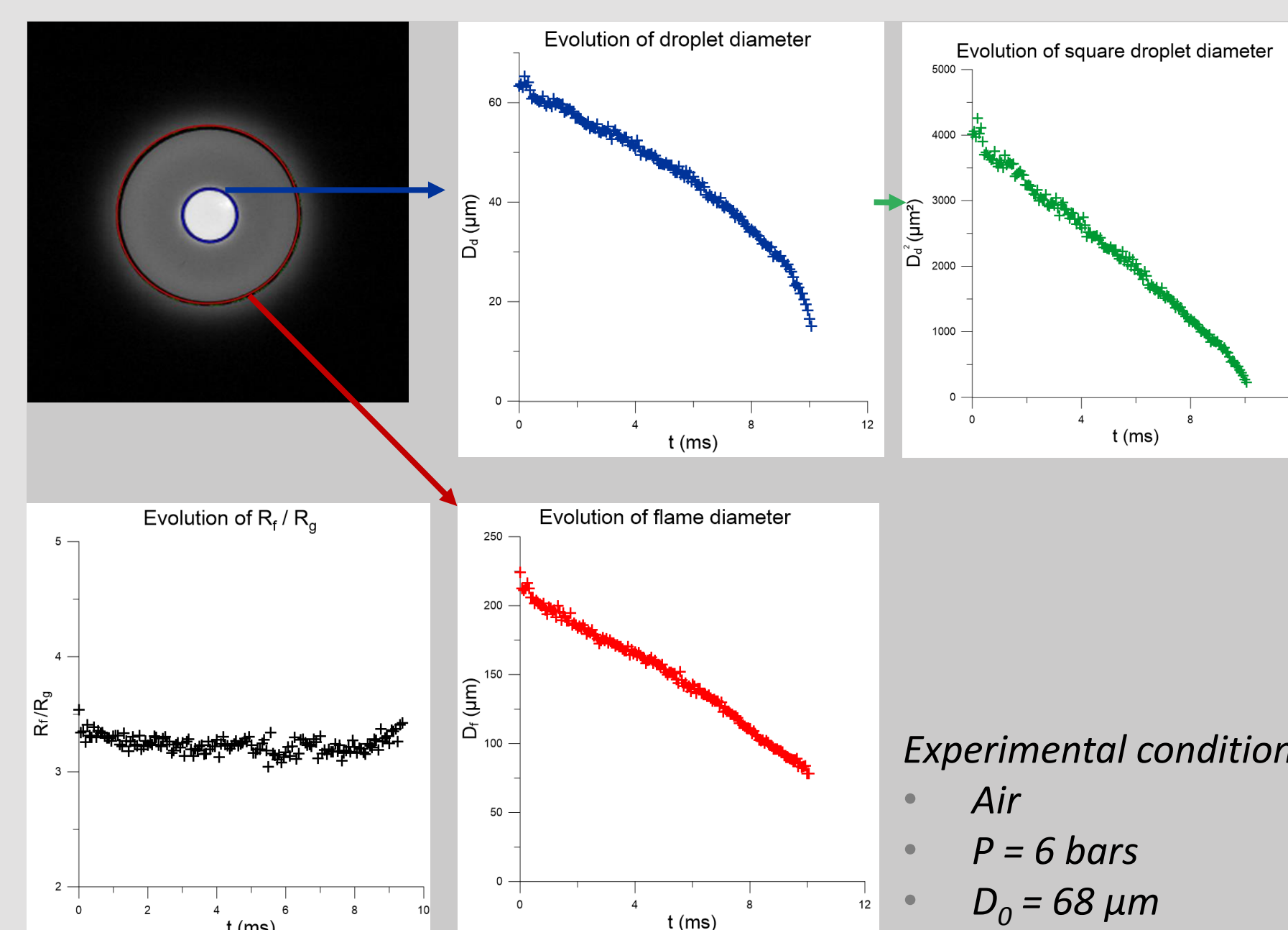


Experimental conditions

- Air
- P = 1 bars
- D<sub>0</sub> = 95 µm

- Combustion time
- Temporal identification of singular emissions
- Confirmation of laser extinction

- Recording of dynamic combustion sequences



Experimental conditions

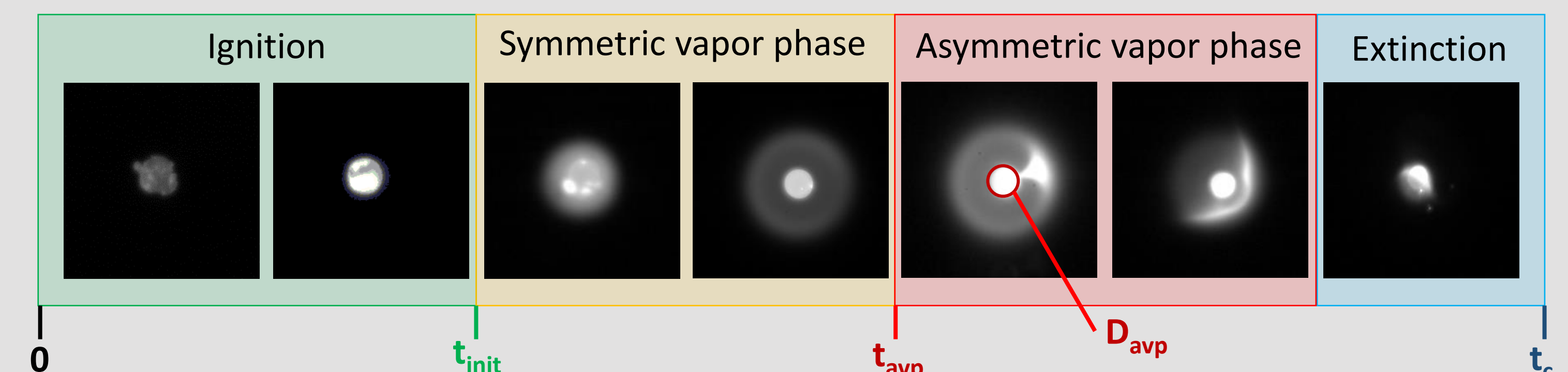
- Air
- P = 6 bars
- D<sub>0</sub> = 68 µm

- Combustion time t<sub>c</sub>
- Initial droplet diameter D<sub>0</sub>
- Evolution of droplet diameter D<sub>g</sub>
- Evolution of flame diameter D<sub>f</sub>
- Identification of phenomena

- Highlighting the existence of different stages [2] of combustion

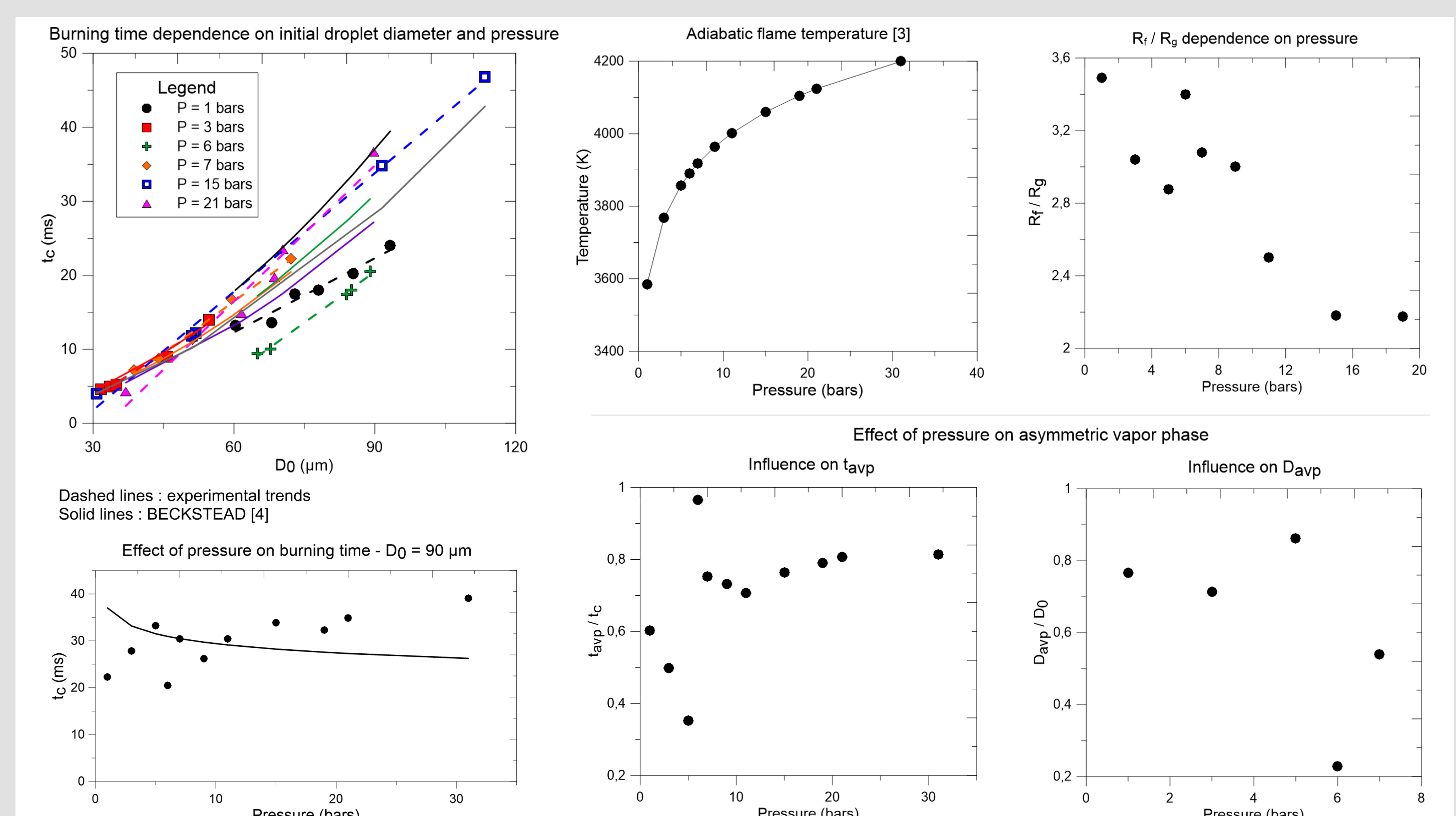
Experimental conditions :

- Air
- P = 1 bars
- D<sub>0</sub> = 90 µm



- Existence of a symmetric and asymmetric vapor phase (avp) regimes
- Introduction of related parameters : t<sub>avp</sub> and D<sub>avp</sub>, respectively time and droplet diameter before asymmetric phase occurrence.

## Combustion in air at various pressure : 1 to 31 bars



- Varying pressure in a low range seems to modify related parameters of asymmetric vapor phase. Influence of higher pressure is then less considerable.

## References :

- [1] Legrand B., Marion M., Chauveau C., Gökalp I., Shafirovich E. Ignition and combustion of levitated magnesium and aluminum particles in carbon dioxide. Combustion Science and Technology, 165 (1), 151-174, (2001).
- [2] DREIZIN, Edward L. Experimental study of stages in aluminium particle combustion in air. Combustion and Flame, 1996, vol. 105, no 4, p. 541-556.
- [3] NASA, CEA. Chemical Equilibrium with Applications. Software Package
- [4] BECKSTEAD, M. W. A summary of aluminum combustion. Brigham Young Univ Provo Ut, 2004.



Scan me