



**HAL**  
open science

## Multi-task dialog act and sentiment recognition on Mastodon

Christophe Cerisara, Somayeh Jafaritazehjani, Adedayo Oluokun, Hoa T Le

► **To cite this version:**

Christophe Cerisara, Somayeh Jafaritazehjani, Adedayo Oluokun, Hoa T Le. Multi-task dialog act and sentiment recognition on Mastodon. COLING, Aug 2018, Santa Fe, United States. hal-01838323

**HAL Id: hal-01838323**

**<https://hal.science/hal-01838323v1>**

Submitted on 13 Jul 2018

**HAL** is a multi-disciplinary open access archive for the deposit and dissemination of scientific research documents, whether they are published or not. The documents may come from teaching and research institutions in France or abroad, or from public or private research centers.

L'archive ouverte pluridisciplinaire **HAL**, est destinée au dépôt et à la diffusion de documents scientifiques de niveau recherche, publiés ou non, émanant des établissements d'enseignement et de recherche français ou étrangers, des laboratoires publics ou privés.

# Multi-task dialog act and sentiment recognition on Mastodon

Christophe Cerisara, Somayeh Jafaritazehjani, Adedayo Oluokun and Hoa T. Le

Université de Lorraine, CNRS, LORIA, F-54000 Nancy, France

cerisara@loria.fr, hoa.le@loria.fr

## Abstract

Because of license restrictions, it often becomes impossible to strictly reproduce most research results on Twitter data already a few months after the creation of the corpus. This situation worsened gradually as time passes and tweets become inaccessible. This is a critical issue for reproducible and accountable research on social media. We partly solve this challenge by annotating a new Twitter-like corpus from an alternative large social medium with licenses that are compatible with reproducible experiments: Mastodon. We manually annotate both dialogues and sentiments on this corpus, and train a multi-task hierarchical recurrent network on joint sentiment and dialog act recognition. We experimentally demonstrate that transfer learning may be efficiently achieved between both tasks, and further analyze some specific correlations between sentiments and dialogues on social media. Both the annotated corpus and deep network are released with an open-source license.

## 1 Introduction

Social media are a gold mine for researchers in many domains and especially in natural language processing, because of the endless stream of linguistic content produced every day. However, a major issue faced by every researcher working with Twitter data concerns the accessibility of datasets previously extracted. Indeed, license restrictions limit the possibility to store tweets in a database for a long period of time, and the proportion of tweets that are continuously deleted from the Twitter company servers makes any Twitter corpus quickly obsolete and impossible to retrieve after a few months. This is a very serious issue for the ethics of experimental research, of which reproducibility is a foundational feature. Despite these limitations, many research and development works use Twitter data for a wide variety of applications.

We propose in this work to exploit another social medium with language data, the Mastodon network, which closely resembles Twitter, except for two important differences: Mastodon is a decentralized social network, and it adopts permissive licenses that are compatible with reproducible research. In particular, everyone may create his own Mastodon server with his cohort of registered users, and have his server automatically federated within the worldwide social network. To enable this, the Mastodon software is released with the open-source AGPL license, and the user-generated content in the Mastodon network typically follows a Creative Commons license<sup>1</sup>, which allows redistribution of posts.

Mastodon is very similar to Twitter with regard to content and usage, except that the user posts are limited by default to 500 characters, which gives the user the possibility to write longer sentences than on Twitter. From a sociological point of view, Mastodon users are mostly composed of people who are either attracted by the technical challenge of setting up their own server, or who have been disappointed by Twitter, sometimes because of advertisements, changes of policies and privacy threats, or who feel a strong sense of belonging to a minority group, such as LGBT, because Mastodon naturally enables

and favors the emergence of local communities. Another difference, which is relevant for researchers in Linguistics and Natural Language Processing, is that Mastodon is more international than Twitter, in the sense that the majority of Mastodon servers are located in Japan and in the West of Europe (France, Spain and Germany in particular), and although these servers are federated together, each of them brings together a community, which is often linguistic. It is thus frequent to observe on some server a majority of posts that are not written in English.

In terms of the amount of language data produced every day, Mastodon is still less developed than Twitter, but it is growing and is already large enough (with one and a half million of users as of February 2018) to be useful for most research works. We demonstrate this by scrapping and annotating a corpus of dialogues in English from Mastodon and training and validating a deep learning model on this data. Both the corpus and software described in this work are distributed freely at <https://github.com/cerisara/DialogSentimentMastodon>. We focus in this work on two aspects of Mastodon posts: dialog acts and sentiment recognition, and on the correlations between both of these tasks.

One of the most studied natural language processing task on Twitter is sentiment recognition, which is for example a recurrent task every year at the SEMEVAL evaluation campaign (Nakov et al., 2016; Bethard et al., 2017). We thus have also annotated our Mastodon corpus with sentiments, in order to maximize the potential impact and usage of this new corpus. Conversely, there are fewer works that study dialogues on Twitter. Dialogues on social media have quite a different form than on other media, such as vocal, sms and meetings interactions, because the participants in the dialogue are often unknown in advance, they may come and leave at any time and live in different time zones. The structure of social media dialogues thus typically forms a tree, or a directed acyclic graph if we take into account @-mentions. We focus next on dialog acts, also known as speech acts, which characterize the function of a phrase in the course of a dialog. Typical dialog acts are questions, answers, disagreements...

The scientific hypothesis that is studied in this work is that sentiments are correlated to dialog acts on social media, and that this correlation may be exploited to enable transfer learning between both tasks. Intuitively, consider a dialog where user A writes something *positive* (sentiment) about a given smart phone brand. Then, user B *disagrees* (dialog act) and points out a *negative* aspect of this brand. An obvious correlation between dialog acts and sentiments can be found on this trivial example. Surprisingly, the majority of works about sentiment analysis ignores such relations between dialog acts and sentiments. We propose next to demonstrate experimentally that this correlation is strong enough to enable transfer learning between both tasks, and we further analyze both quantitatively and qualitatively some of the observed correlation patterns.

## 2 Corpus annotation

We hereafter call *post* the Mastodon equivalent of a tweet, i.e., a single message that is limited to 500 chars maximum. From the user perspective, Mastodon is very similar to Twitter, and we can thus find the same type of content that is found on Twitter. We have crawled about 800,000 posts from the *octodon.social* Mastodon instance, which is one amongst thousands of existing instances, and have filtered out non English posts automatically with the *langdetect* python library. We have then followed the *reply-to* links to structure all posts into dialog trees: dialogues in social media are structured as trees, because anyone can get involved in a dialog from any post that composes the dialog so far. About half of the dialogues have two posts, 1/4 three, and so on. The longest dialog is composed of 44 posts. The tree-dialogues are then split into a training and test set.

Before annotation, all dialogues are linearized, following the work of Zarisheva and Scheffler (2015), which means that each branch of the tree forms a unique dialog. Two students with a Master degree in linguistics and fluent in English independently assigned two tags to each post in a dialog:

- A sentiment tag with 3 possible values: positive (26% of the corpus), negative (31%) and neutral (43%); The baseline performances, when always classifying posts as neutral, are F1=24.4%.
- A dialog act with 27 possible values (the bold labels on the right of Table 2).

A typical dialog is shown in table 1.

	Sent	DA	Textual content of segment
0	-	I	because this is getting way too much attention it wasn't even that funny URL
1	+	I	LMAO
2	*	O	why you still on twitter though ?
3	-	W	i'm trying to get all my other friends to get on here before i deactivate !
4	-	I	I might have to do that too . Some ain't migrated yet . It's an issue .
5	-	I	some of my mutuals are waiting for more leftists go get on here
6	*	O	and i'm like what are you waiting for ? ? ?
7	-	I	then again i did have to spend hours to figure out how to work this site haha
8	-	Q	lol was it that hard ? ?
9	-	W	i'm not that good with technology or websites
10	-	A	so yeah ..
11	-	A	well yeah , the whole instances thing is kind of confusing tbh .

Table 1: Example of a typical dialog from the Mastodon corpus.

The dialog act tags have been derived from the seminal work on the Switchboard corpus (Core and Allen, 1997) and have been adapted to take into account specificities of social media, taking inspiration from the work of Zarisheva and Scheffler (2015). The recently proposed ISO standard (Bunt et al., 2017) has also been taken into account in the design phase of the annotation guide. This process has led to the definition of the tags listed in Table 2. After a first round of annotations and in order to avoid rare labels, these 27 tags have been further merged into 15 tags, whose distribution is shown in Table 2.

The inter-annotator agreement is 88.6% for dialog acts and 90.2% for sentiments. The Cohen's kappa coefficient is 85.1% for dialog acts and 90.2% for sentiments.

The final training corpus is composed of 239 dialogues for a total of 1075 posts, and the test corpus of 266 dialogues for a total of 1142 posts. The vocabulary size is 5330 words.

### 3 Multi-task model

#### 3.1 Model description

The proposed model is shown in Figure 1. It is a two-level hierarchical recurrent network similar to the one proposed in Sordoni et al. (2015):

- The first level (*post level*) takes as input the sequence of word embeddings in a post. This first level is composed of a bi-LSTM, which outputs a single vector per post.
- The second level (*dialog level*) takes as input the sequence of vectors produced at the first level, i.e., one vector per post for every post within a dialog. The second level is composed of a standard RNN, because the length of dialogues rarely exceeds 10 posts and so the LSTM cells do not offer a clear advantage over standard recurrent cells. The output of this RNN at every post is passed to two MLPs, one for dialog acts and another for sentiment labels.

#### 3.2 Training procedure

Two cross-entropy losses are used to train the model, one for dialog act recognition and another for sentiment classification. In our corpus, every post is manually annotated with both a sentiment and dialog act labels. So standard multi-task training simply consists in backpropagating the gradient of both losses with equal weights. However, we also realize some transfer learning experiments with fewer annotations in one of the tasks. In such cases, we artificially remove the gold sentiment label for training and only backpropagate the gradient of the dialog act loss, and vice versa when transferring from the sentiment to the dialog act task.

A development corpus is extracted using 10-fold cross-validation. Three values of the learning rate (0.1, 0.01 and 0.001) have been tried on this development corpus and the best one has been kept. The number of epochs, up to a maximum of 500 epochs, is also tuned on this development corpus for each experiment. Furthermore, because some badly initialized weights may fail to converge, every experiment

- Communicative functions
  - General purpose functions
    - Information seeking functions
      - Question
        - Propositional question
          - Yes/No question ..... **Q** (8.3%)
          - Check question ..... (merged a priori in Q)
        - Set question
          - Wh\* / Open question ..... **O** (7.4%)
        - Choice question
          - Open with choices ..... (merged a priori in O)
      - Information providing functions
        - Inform
          - Statement ..... **I** (49.3%)
          - Agreement ..... **A** (7.9%)
          - Disagreement ..... **D** (1.9%)
            - Correction ..... (merged a priori in D)
        - Answer
          - Open + choice answer ..... **W** (9.9%)
          - Confirm answer ..... **Y** (merged in A)
          - Disconfirm answer ..... **N** (merged in D)
      - Commissive functions
        - Offer ..... **E** (1.4%)
          - Promise ..... (merged a priori in E)
      - Directive functions
        - Request ..... **R** (3.3%)
          - Instruct ..... (merged a priori in R)
        - Suggest ..... **S** (3.0%)
      - Directive & commissive functions
        - Accept offer request suggest ..... **P** (merged in A)
        - Decline offer request suggest ..... **L** (merged in D)
    - Feedback functions
      - auto-positive acknowledgement ..... **F** (0.2%)
        - allo-positive acknowledgement ..... (merged a priori in F)
      - auto-negative acknowledgement ..... **B** (merged in F)
        - allo-negative acknowledgement ..... (merged a priori in B)
    - Social obligation functions
      - Initial greetings ..... **H** (2.0%)
        - Return greetings ..... (merged a priori in H)
      - Initial goodbye ..... **G** (merged in H)
        - Return goodbye ..... (merged a priori in G)
      - Apology ..... **X** (merged in M)
        - Accept apology ..... **C** (merged in A)
      - Thanking ..... **T** (2.0%)
        - Accept thanking ..... **K** (merged in A)
    - Exclamation ..... **J** (1.5%)
    - Explicit performative (*hope you get better*) ..... **V** (1.6%)
    - Sympathy (*I'm sorry to hear that*) ..... **M** (0.6%)
    - Miscellaneous / other ..... \* (absent)
    - UNK (too ambiguous to decide) ..... **U** (removed)
    - Malformed input ..... **Z** (removed)

Table 2: List of dialog acts with the 27 labels used by annotators (letters in bold) and their distribution in the corpus (percentage within parentheses). Some labels have been merged a priori (before the annotation process), in order to simplify the annotation process. Very rare labels have been merged after the annotation process. The remaining 15 labels used to compute the F1 metric are the ones with a distribution percentage. The baseline recognition performance obtained when always answering **I** is F1=35%.

on the development corpus is run twice with different random initializations, and the best one on the development set is kept. Running only twice does not guarantee that at least one training is correct, but it reduces the chances of failure, without increasing too much the computation requirements. All other hyper-parameters have been set a priori to reasonable values: 100-dim LSTM hidden state size, 100-dim word embeddings, 0.4 dropout, ReLU activations.

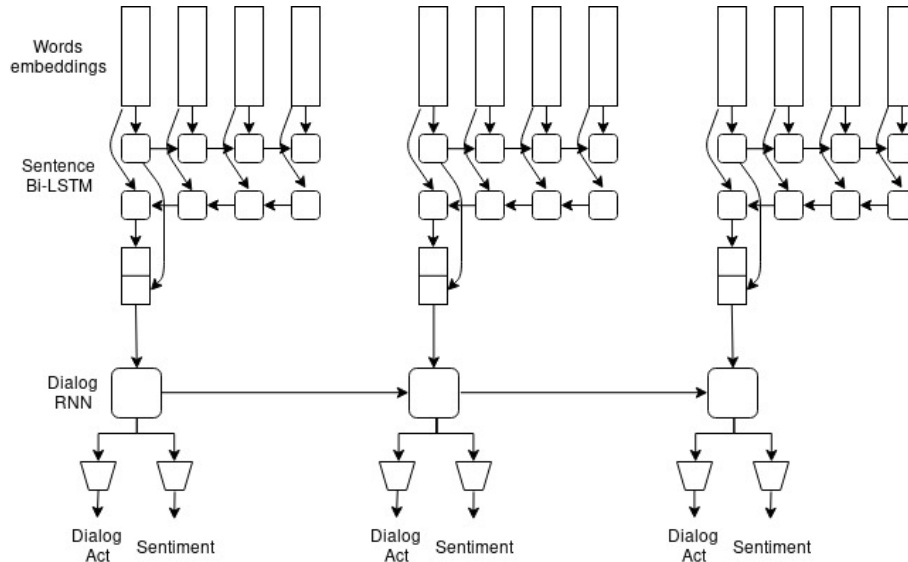


Figure 1: Multi-task hierarchical recurrent model. The number of posts per dialog and the number of words per post may vary and are handled dynamically without any padding.

#### 4 Related work

Pluwak (2016) demonstrates that some expressions of sentiments might not be detected with traditional methods of opinion mining, and that exploiting dialog acts may partly solve this challenge. Nevertheless, very few works have investigated this joint modeling of dialog acts and opinion mining: Clavel and Callejas (2016) study the impact and usage of both dialog act recognition and sentiment analysis in human-agent conversational platforms and affective conversational interfaces, while Novielli and Straparava (2013) perform a dialog act clustering of a lexicon and study the emotional load of dialog acts. The authors further try to improve dialog act recognition by exploiting affective lexicon, but without convincing results. Conversely, Herzig et al. (2016) include dialog features (e.g., time elapsed between turns...) into an emotion classifier, but do not model the dialog and emotion jointly. Boyer et al. (2011) exploit affects that are visually expressed on faces to better classify dialog acts.

While many works have investigated sentiment analysis on Twitter (Bethard et al., 2017), a few works only handle dialog act recognition on Twitter, such as in (Vosoughi and Roy, 2016), (Ritter et al., 2010), (Forsyth and Martell, 2007) and (Zarisheva and Scheffler, 2015). Each of these works have annotated their own corpus, because, to the best of our knowledge, no large corpus with dialog act annotations on Twitter exist. Zarisheva and Scheffler (2015) describe a detailed and precise procedure for annotating and evaluating dialog acts on German tweets, which we have tried to reproduce as closely as possible for English. Hence, we have manually segmented our own corpus into functional segments - following the ISO definition of a functional segment (Bunt et al., 2017) - and assumed that this gold segmentation is known during training and testing of our models. We have also linearized the dialog trees on Mastodon by splitting and reforming every branch of a dialog tree from the root of the tree as a complete independent dialog. However, because several such dialogues may share some posts at the beginning of dialogues, we have paid attention that our train, dev and test splits never contain the same sub-dialog, and are thus completely independent. We finally took inspiration from the conclusions of (Zarisheva and Scheffler, 2015), where it is shown that dialog act recognition is quite reliable for small taxonomies to design our own taxonomy adapted from the new ISO-standard (Bunt et al., 2017).

A joint model of sentiments and dialog acts is proposed in (Kim and Kim, 2018). It exploits one convolutional network per task, which output vectors are concatenated and passed to one classifier per task. It makes strong simplifying assumptions to merge the tasks, in particular:

- The dialog act at time  $t$  does not depend on sentiments, but does depend on the dialog act at time

$t - 1$ ;

- The sentiment at time  $t$  only depends on the sentiment and dialog act at time  $t$  (no Markov hypothesis);

Despite these strong hypothesis, the authors report better results when considering jointly dialog acts and sentiments on a Korean corpus. As far as we know, their corpus and code is not distributed, which makes comparative evaluations with this model difficult. Compared to this work, our proposed network jointly models both tasks at deeper layers, just after the word embeddings layer. Furthermore, our hypothesis are weaker, because both labels at time  $t$  depend on both tasks at time  $t$  and  $t - 1$ , and recurrence is applied at both word and dialog levels. Finally, we distribute our corpus and software under an open-source and free license to make future comparison easier.

## 5 Experimental validation

Model evaluation is performed with metrics used in related works:

- For sentiment recognition, following SemEval 2016 (Nakov et al., 2016), this is the macro-average of the positive and negative F1 scores;
- For dialog act recognition, following (Zarischeva and Scheffler, 2015), this is the average of the dialog-act specific F1 scores weighted by the prevalence of each dialog act.

The model has been written in pytorch. The source code, along with all the data used in this work, is released as open-source and is available at <https://github.com/cerisara/DialogSentimentMastodon>.

### 5.1 Multi-task experiments

The development corpus is composed of 28 dialogues (average size across all 10 folds). We experiment next with a training corpus of varying size: 1, 10, 50, 100, 150, 200 and the full set of 239 dialogues. The x-axis in Figures 2 and 3 are labeled with the total number of annotated dialogues used at training time (train + dev set). The number of epochs for training is tuned on the development set by optimizing either the sentiment loss (**target sentiment**) or the dialog act loss (**target dialog act**).

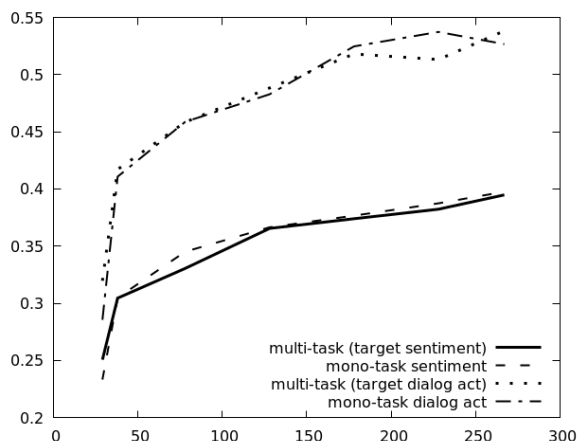


Figure 2: Sentiment and dialog act F1s as a function of the number of dialogues used for training.

In Figure 2, both the mono-task and multi-task models have similar performance. So considering an additional label for the second task does not help, as compared to when only the label of the target task is given. This might be due to the fact that the model already captures all available information with a single task, and the auxiliary label does not bring enough new information to help recognition of the target label.

## 5.2 Transfer between tasks

We study next unbalanced cases, when the number of annotations differ between tasks. Figure 3 compares the evolution of the sentiment analysis F1 score when:

- Both tasks are trained on the same number of annotated dialogues (**both-rich**); this is the same experiment as realized in Section 5.1.
- The sentiment recognition task is limited to a maximum of 38 (10 dialogues for training plus the development corpus) annotated dialogues, while the training size of the dialog act task is not limited (**sentiment-poor**);
- Both tasks are limited to only 38 annotated dialogues (**both-poor**).

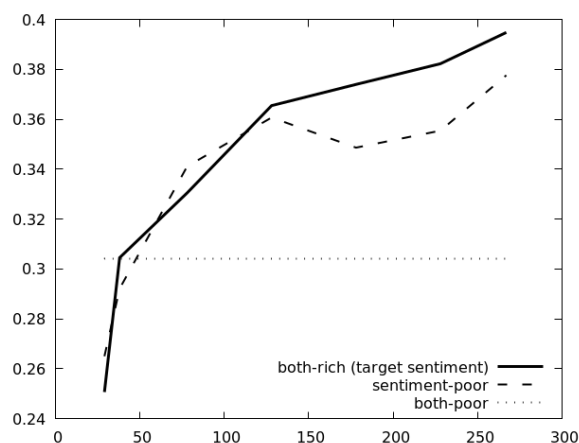


Figure 3: Sentiment F1 as a function of the number of dialogues used for training. **both-rich**: both tasks have the same training size; **sentiment-poor**: only 38 dialogues maximum are annotated with sentiment labels; **both-poor**: both tasks are limited to 38 training dialogues.

The curves show that information is largely transferred from the richer dialog act recognition task to the target sentiment classification task. Hence, although the **sentiment-poor** and **both-poor** systems have only access to 38 dialogues annotated with sentiment labels, the accuracy of the **sentiment-poor** model keeps on increasing when additional dialog act labels are considered. On the right, when the full dialog act training corpus is used, its accuracy is quite close to the one obtained with all sentiment labels, and is better than the **both-poor** model by a large margin, thanks to multi-task transfer learning.

Conversely, we also validate transfer learning from a rich sentiment recognition task to a poor dialog act recognition task. The resulting curves are shown in Figure 4.

Similar gains in performance are obtained through transfer learning for the dialog act recognition task than for the sentiment analysis task. We can thus conclude that transfer learning is efficient between both tasks in both directions.

## 6 Analysis

Beyond quantitative experiments that demonstrate transfer learning between dialog act and sentiment recognition, we analyze next some properties of our Mastodon corpus.

### 6.1 Dynamics of sentiments and dialog acts

In the course of a dialog, the sentiment globally changes at a slower rate than the dialog act. While dialog acts change nearly at every segment, often, a single sentiment is expressed per dialog, sometimes two or three, but rarely more. This is understandable, but this also implies that the correlation between both tasks is not very strong, otherwise, they would have a much similar dynamic. On the other hand, they are



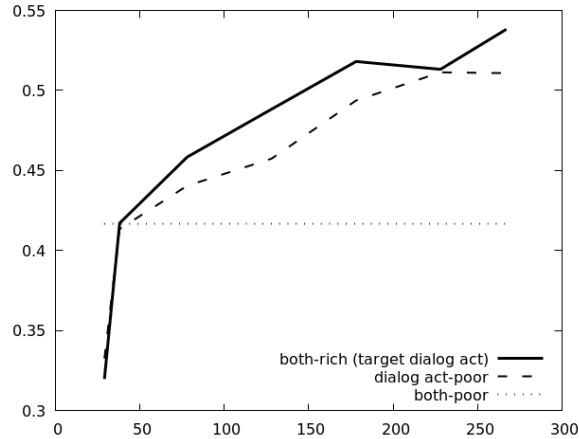


Figure 4: Dialog act F1 as a function of the number of dialogues used for training. **both-rich**: both tasks have the same training size; **dialog act-poor**: only 38 dialogues maximum are annotated with dialog act labels; **both-poor**: both tasks are limited to 38 training dialogues.

not completely independent, as shown in the transfer learning experiments. So we try and exhibit next some patterns where correlation between tasks is explicit in the corpus.

## 6.2 Both tasks are sparsely correlated

In order to validate our initial hypothesis that, in the course of a dialog, sentiments may be correlated to agreements and disagreements, we have computed the transition log-probabilities between the previous sentiment  $s_{t-1}$  and the current sentiment  $s_t$  as a function of the current dialog act  $d_t$ . These log-probabilities are shown respectively for  $s_{t-1} = \text{neutral}$ , positive and negative in Figures 5 and 6.

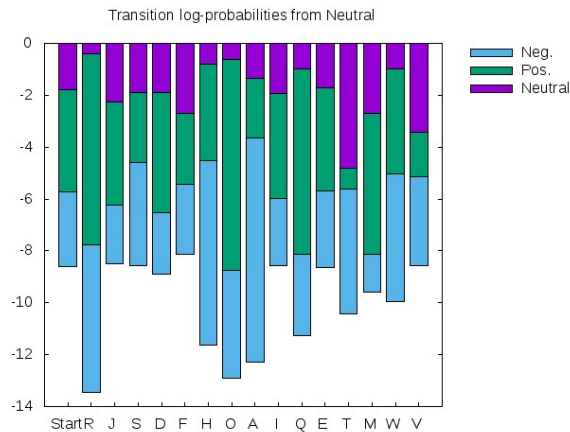


Figure 5:  $\log p(s_t|d_t, s_{t-1} = \text{neutral})$ . The dialog acts  $d_t$  are listed at the bottom of each histogram column. Because log-probabilities are plotted, boxes with the smallest height are the most likely. The start of a dialog, which has no previous sentiment, is a special case that is added on the left.

We observe that:

- With agreements (**A**), a positive sentiment mainly stays positive and a negative sentiment mainly stays negative.
- With disagreements (**D**), a positive sentiment becomes either neutral or negative, a negative sentiment becomes either positive or stays negative, a neutral sentiment either stays neutral or becomes negative.

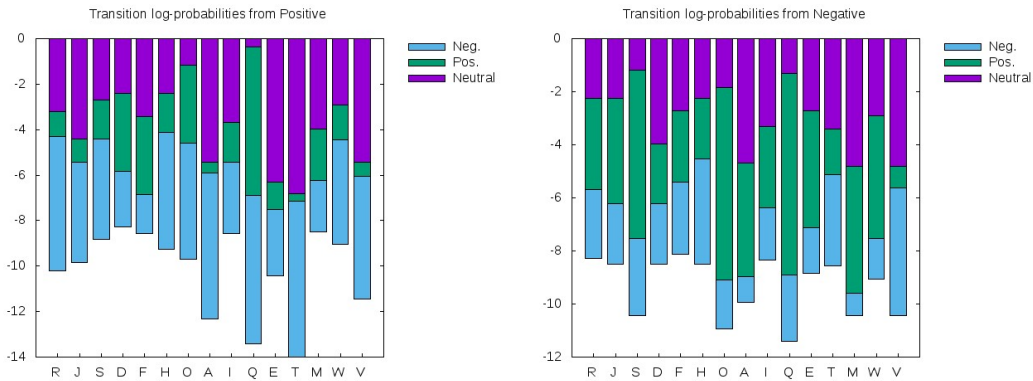


Figure 6:  $\log p(s_t|d_t, s_{t-1} = \text{positive})$  (left) and  $\log p(s_t|d_t, s_{t-1} = \text{negative})$  (right)

These observations globally follow our intuition, even though more complex patterns than expected seem to occur.

Another observation concerns the evolution of sentiments from the start to the end of a dialog. Previous studies have shown that, with regard to dialogues, the sentiment on social media is related to:

- The topic of discussion: for instance, discussions about politics tend to have more negative sentiments (Thelwall et al., 2012a);
- The length of the dialog: negative sentiments tend to lead to longer dialogues (Thelwall et al., 2012b), which we suggest may be also related to the correlation between sentiments and disagreements that we have observed in this work; indeed, an increased proportion of disagreements may lead to longer dialogues.

Based on our corpus, another pattern seems to emerge, which is in favor of negative sentiments at the beginning of dialogues and positive sentiments at the end. This is intuitively plausible, as at least a small proportion of the sources of discords are likely to be resolved during dialogues, but this interpretation is still to be confirmed on a more diverse set of corpora.

## 7 Conclusion

We have studied a multi-task model for joint sentiment and dialog act recognition on social media. We have shown that transfer learning is quite efficient when the number of annotated labels for one task is smaller than for the other task. We have further analyzed the correlation between both tasks and shown that although there is enough mutual information to enable transfer learning, both tasks are not strongly correlated globally. They are actually characterized by different dynamics, but we have nevertheless found a few specific patterns that exhibit a strong correlation. All these studies are realized on a new corpus extracted from the Mastodon social network. Conversely to other corpora based on Twitter, this corpus enables reproducible experiments and both the annotated corpus and source code of our model are available with an open-source license on github. Obviously, the privacy issues concerned with extracting corpora from social media are not only related to licenses, and other aspects must be considered, including dissemination, usage and ethical considerations with respect to citizen privacy. Even though the proposed approach does not totally solve all such issues, it initiates an original alternative to the current dominant experimental methodology that hopefully leads to a better experimental reproducibility for natural language researches.

## Acknowledgments

The authors thank the “Programme d’Investissements d’Avenir” of the French government, the French National Research Agency (ANR) and the Lorraine Université d’Excellence (LUE) initiative for funding. Experiments presented in this paper were carried out using the Grid’5000 testbed, supported by a

scientific interest group hosted by Inria and including CNRS, RENATER and several Universities as well as other organizations (see <https://www.grid5000.fr>).

## References

- Steven Bethard, Marine Carpuat, Marianna Apidianaki, Saif M. Mohammad, Daniel Cer, and David Jurgens, editors. 2017. *Proceedings of the 11th International Workshop on Semantic Evaluation (SemEval-2017)*. Association for Computational Linguistics, Vancouver, Canada, August.
- Kristy Boyer, Joseph Grafsgaard, Eun Young Ha, Robert Phillips, and James Lester. 2011. An affect-enriched dialogue act classification model for task-oriented dialogue. In *Proceedings of the 49th Annual Meeting of the Association for Computational Linguistics: Human Language Technologies*, pages 1190–1199, Portland, Oregon, USA, June. Association for Computational Linguistics.
- Harry Bunt, Volha Petukhova, David Traum, and Jan Alexandersson. 2017. Dialogue act annotation with the iso 24617-2 standard. In *Multimodal Interaction with W3C Standards*, pages 109–135. Springer.
- Chlo Clavel and Zoraida Callejas. 2016. Sentiment analysis: from opinion mining to human-agent interaction. *IEEE Transactions on Affective Computing*, pages 74–93.
- Mark G Core and James Allen. 1997. Coding dialogs with the damsl annotation scheme. In *AAAI fall symposium on communicative action in humans and machines*, volume 56. Boston, MA.
- Eric N Forsyth and Craig H Martell. 2007. Lexical and discourse analysis of online chat dialog. In *Semantic Computing, 2007. ICSC 2007. International Conference on*, pages 19–26. IEEE.
- Jonathan Herzig, Guy Feigenblat, Michal Shmueli-Scheuer, David Konopnicki, Anat Rafaeli, Daniel Altman, and David Spivak. 2016. Classifying emotions in customer support dialogues in social media. In *SIGDIAL Conference*, pages 64–73.
- Minkyung Kim and Harksoo Kim. 2018. Integrated neural network model for identifying speech acts, predicates, and sentiments of dialogue utterances. *Pattern Recognition Letters*.
- Preslav Nakov, Alan Ritter, Sara Rosenthal, Fabrizio Sebastiani, and Veselin Stoyanov. 2016. Evaluation measures for the semeval-2016 task 4: Sentiment analysis in twitter (draft: Version 1.12). In *Proceedings of the 10th International Workshop on Semantic Evaluation (SemEval 2016)*, San Diego, California, June.
- Nicole Novielli and Carlo Strapparava. 2013. The role of affect analysis in dialogue act identification. *IEEE Transactions on Affective Computing*, pages 439–451.
- Agnieszka Magdalena Pluwak. 2016. Towards application of speech act theory to opinion mining. *Cognitive Studies*, pages 33–44.
- Alan Ritter, Colin Cherry, and Bill Dolan. 2010. Unsupervised modeling of twitter conversations. In *Human Language Technologies: The 2010 Annual Conference of the North American Chapter of the Association for Computational Linguistics*, pages 172–180. Association for Computational Linguistics.
- Alessandro Sordani, Yoshua Bengio, Hossein Vahabi, Christina Lioma, Jakob Grue Simonsen, and Jian-Yun Nie. 2015. A hierarchical recurrent encoder-decoder for generative context-aware query suggestion. In *Proceedings of the 24th ACM International on Conference on Information and Knowledge Management*, pages 553–562.
- M. Thelwall, K. Buckley, and G. Paltoglou. 2012a. Sentiment strength detection for the social web. *Journal of the American Society for Information Science and Technology*, pages 163–173.
- M. Thelwall, P. Sud, and F. Vis. 2012b. Commenting on YouTube videos: From Guatemalan rock to El Big Bang. *Journal of the American Society for Information Science and Technology*, pages 616–629.
- Soroush Vosoughi and Deb Roy. 2016. Tweet acts: A speech act classifier for twitter. *arXiv preprint arXiv:1605.05156*.
- Elina Zarisheva and Tatjana Scheffler. 2015. Dialog act annotation for twitter conversations. In *SIGDIAL Conference*, pages 114–123.