



HAL
open science

From Algorithm and Architecture Specifications to Automatic Generation of Distributed Real-Time Executives: a Seamless Flow of Graphs Transformations

Thierry Grandpierre, Yves Sorel

► **To cite this version:**

Thierry Grandpierre, Yves Sorel. From Algorithm and Architecture Specifications to Automatic Generation of Distributed Real-Time Executives: a Seamless Flow of Graphs Transformations. 2003 1st IEEE International Conference on Formal Methods and Models for Codesign (MEMOCODE 2003), Jun 2003, Mont Saint Michel, France. 10.1109/MEMCOD.2003.1210097 . hal-01800622

HAL Id: hal-01800622

<https://hal.science/hal-01800622>

Submitted on 27 May 2018

HAL is a multi-disciplinary open access archive for the deposit and dissemination of scientific research documents, whether they are published or not. The documents may come from teaching and research institutions in France or abroad, or from public or private research centers.

L'archive ouverte pluridisciplinaire **HAL**, est destinée au dépôt et à la diffusion de documents scientifiques de niveau recherche, publiés ou non, émanant des établissements d'enseignement et de recherche français ou étrangers, des laboratoires publics ou privés.

From Algorithm and Architecture Specifications to Automatic Generation of Distributed Real-Time Executives: a Seamless Flow of Graphs Transformations

Thierry Grandpierre (t.grandpierre@esiee.fr)
ESIEE Paris, Cite Descarte BP99
93162 Noisy Le Grand Cedex France

Yves Sorel (yves.sorel@inria.fr)
INRIA, Domaine de Voluceau BP 105
78153 Le Chesnay Cedex France

Abstract

This paper presents a seamless flow of transformations which performs dedicated distributed executive generation from a high level specification of a pair: algorithm, architecture. This work is based upon graph models and graph transformations and is part of the AAA methodology. We present an original architecture model which allows to perform accurate sequencer modeling, memory allocation, and heterogeneous inter-processor communications for both modes shared memory and message passing. Then we present the flow of transformations that leads to the automatic generation of dedicated real-time distributed executives which are deadlock free. This transformation flow has been implemented in a system level CAD software tool called SynDEX.

1. Introduction

The increasing complexity of signal, image and control processing algorithms in embedded applications, requires high computational power to meet real-time constraints. This power can be achieved by distributed (parallel) hardware architectures which are often heterogeneous in embedded systems: they are made of different types of processors (DSP, RISC...) interconnected by different types of communication medias (FIFO bus, shared memory...). The real-time implementation of an application algorithm onto such architecture is a complex task since numerous problems (which are not necessarily independent) must be solved:

- Distributed architectures involve the distributing (mapping) and scheduling of each algorithm functionality onto each processor. This distribution requires to add costly (time-consuming) communication operations to the algorithm in order to transfer data between operations executed by different processors.
- The real-time constraints of the application must always be met whatever the processor load and the commu-

nication media load are. In these systems, as explained in [8], communications are too often neglected although they may tremendously decrease the actual performances of the aforementioned applications.

- Since the target architecture is embedded, it is often necessary to minimize its size: this is a resource allocation optimization problem.
- Performances, which are required for real-time embedded applications, are mostly obtained by mixing high level language and low level language. In heterogeneous architecture each processor may have its own compiler and this consequently increases the code generation complexity.
- For industrial production, development costs must always be reduced. Since the debugging of the distributed application represents a costly part of the development cycle, it should always be minimized. More generally, time-to-market must always be decreased, the development of applications must always be shorter, it is then important to keep a seamless development flow in order to reuse as much work as possible between prototyping and industrialisation, but also to improve traceability.

In order to address these issues, we improve the AAA¹ rapid prototyping methodology proposed in [13]. AAA is based on graph theory in order to model hardware architectures, application algorithms as well as implementations which are obtained by graph transformations. Afterwards, for easier readability, we will use the term “algorithm” instead of “application algorithm”. Algorithms are scheduled off-line (statically) onto the hardware architecture in order to predict a corresponding real-time behaviour and to build an optimized implementation by automatic code generation. Even communications are routed off-line in order to ensure real-time response. In the case of real-time (critical) embedded applications, off-line scheduling is preferred for two main reasons. First, it induces a very low temporal and spatial overhead compared to resident OS (because such OS involves in-line scheduling and then requires time and memory for the execution of its scheduler). Secondly, the

¹Algorithm Architecture Adequation.

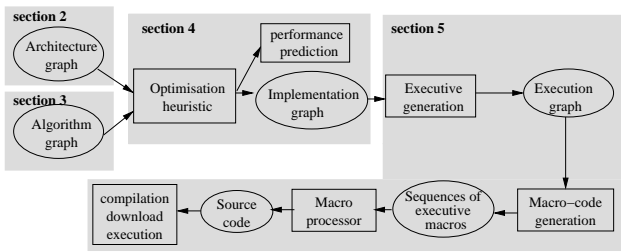


Figure 1. AAA methodology flow and paper organization

deterministic behaviour of a real-time application is much easier to prove with off-line scheduling, especially if communications are also scheduled off-line [1][5]. On the other hand, off-line implementations are rarely compatible with rapid prototyping since developers must be in charge of everything (allocation, communication usually left to the OS) in order to implement a distributed application. Then it is usually very costly to test different algorithms mapping on different distributed architectures since this requires rewriting all the code. The goal of this paper is to address these issues by combining rapid prototyping and off-line scheduling. The principle is to automatically generate a distributed dedicated executive using graph transformations of any validated algorithm specification. If each transformation is correct, the generated executive is necessarily correct and no other post-validation process is required.

The AAA methodology should help the designer to rapidly obtain an efficient implementation (i.e. which meets real-time constraints and minimizes the architecture size) of these complex algorithms, and to simplify the implementation task from the specification to the final prototype.

Figure 1 shows the transformation flow of AAA as well as the paper organization: the first two sections are dedicated to our heterogeneous architecture model and to our algorithm model. Section 4 presents our implementation model of an algorithm onto an architecture, and presents our optimization principles. Section 5 is dedicated to the automatic executive generation from an implementation graph. The last section presents our software tool SynDEx which implements AAA, and some applications developed with this tool.

2. Architecture model

In literature we find two main levels of hardware models: on the one hand there are high level models like PRAM, DRAM, BSP...[14]. They are known to be very useful when working on computing complexity, but they are based on a hypothesis which intentionally neglects the details of the underlying architecture. On the other hand, we found

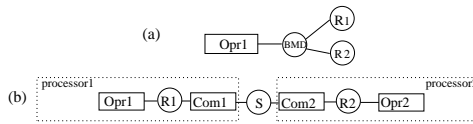


Figure 2. Two examples of architecture graph

very accurate low level models implemented by HDL² and ADL³[10]. Such models are mainly used by designers of processors, simulators and compilers but rarely by high level programmers because of their high complexity.

In order to efficiently implement any application algorithm onto any multiprocessor architecture, we need comparable models to specify the architecture with its available parallelism, and the algorithm with its potential parallelism. We can find such models in several CAD tools (Ptolemy[3], Casch[9], Trapper[12], VCC[15]...), but they are often implicit and are also dedicated to a restricted subset of multiprocessor machines. We need an architecture model allowing to specify different types of processors, accessing different types of memories and different types of media (each with its own characteristics: size, bandwidth, etc.).

Here we propose an architecture model which is at an intermediate level [7] between the two previously mentioned. The complexity of this model is sufficient to enable accurate optimization while it is not too fine and then does not lead to a combinatorial explosion. Based on graphs, this model highlights the available parallelism of any architecture. Its accuracy enables the performing of realistic real-time behaviour predictions of any algorithm implementation. This model enables different types of automatic optimizations of this implementation to be made possible, but it also enables automatic generation of dedicated executives.

The heterogeneous distributed architecture is specified as an oriented graph, called *architecture graph*, denoted by $G_{ar} = (V, E)$ where V is the set of vertices of G_{ar} , and E the set of edges.

The set of vertices V is made up of four subsets corresponding to four kinds of Finite State Machines (FSM) called *operator* (V_O), *communicator* (V_C), *memory* (V_M) and *Bus/Mux/Demux* with or without arbiter (V_B): $V = V_O \cup V_C \cup V_M \cup V_B$, and $V_O \cap V_C \cap V_M \cap V_B = \emptyset$. Each edge $s \in E$ represents connections between the input and the output of FSMs, so that the hardware graph forms a network of FSMs.

There are two types of memory vertices, RAM (Random Access Memory, $S_{RAM} \in S_M$) and SAM (Sequential Access Memory, $S_{SAM} \in S_M$):

- RAM memories may be used to store operations of the algorithm graph (Cf. algorithm section 3), in this case

²Hardware Description Language.

³Architecture Description Language.

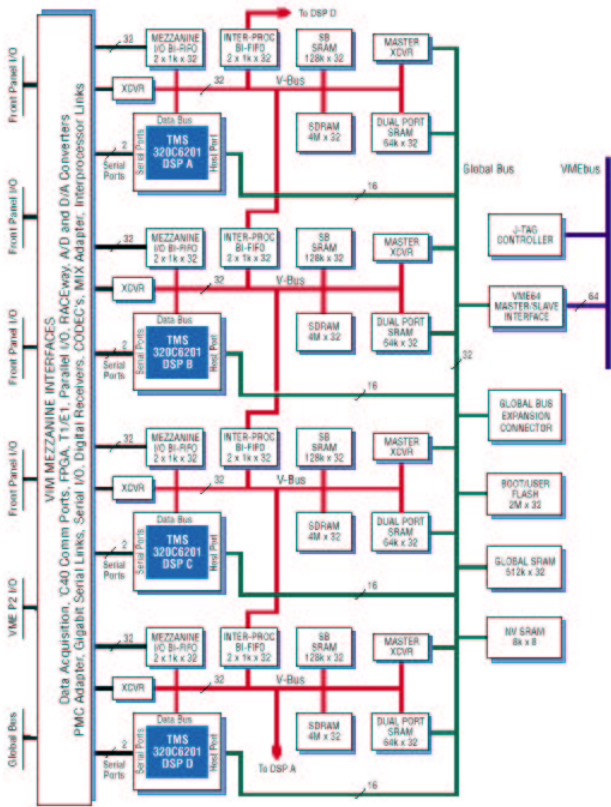


Figure 3. Pentek 4290 Quad C6201 board

we call them RAM_P (program memory). When RAM store only data we call them RAM_D (data memory). We call them RAM_{DP} when they store both program and data. A RAM may be shared (i.e. connected to several operators and/or communicators), it then may be used for data communications. In 5.1 we will see how we avoid problem due to concurrent access by adding automatically synchronization operations,

- SAM memories are always shared since they are only used to communicate data using the message passing paradigm. In a SAM, data must be read in the same order as it has been written (as FIFO), all access is then said to be *synchronized* whereas in a RAM it is not synchronized since it is possible to read data independently of the order of the *write* operation. SAM may be peer to peer or multipoint and support or not hardware broadcasting. Each memory is characterised by its size and its access bandwidth.

There are two types of sequencer vertices, operator and communicator:

- each operator sequentially executes a finite subset of the algorithm's operations stored in a RAM_P (or

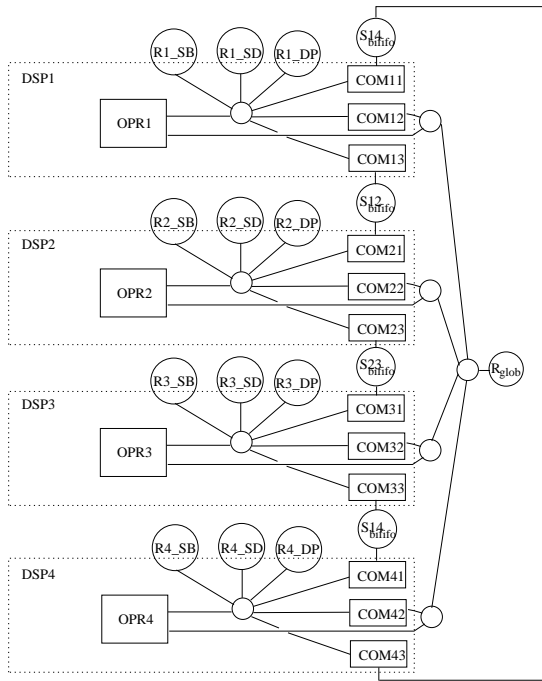


Figure 4. Architecture graph of Pentek board

RAM_{DP}) which must be connected to the operator. The worst-case execution duration of an operation o on an operator s_o is denoted $\delta(o, s_o)$. We use worst-case execution duration because we deal with real-time applications where it is crucial to satisfy the constraints whatever happens. This duration depends on the operator and memory characteristics. An operation executed by an operator reads input data stored in a connected RAM_D (or RAM_{DP}) and produces output data which is written in the RAM_D (or RAM_{DP}) connected to it,

- each communicator sequentially executes *communication operations* stored in their connected RAM_P (or RAM_{DP}). These operations transfer data from one memory (SAM, RAM_P, RAM_{DP}) connected to the communicator into another memory connected to the same communicator. The execution duration of a communication depends on the size of data to be transmitted but also depends on the available bandwidth computed from each parameters of the edge. A communicator is equivalent to a DMA channel for which we build a sequence of transfers (Cf. 5.3). It allows to decouple computation and communication and then to take advantage of the parallelism between computation and communication.

Bus/Mux/Demux (BMD) vertices are used to model the bus, the multiplexer and the de-multiplexer of an architec-

ture :

- when a single sequencer (operator or communicator) requires to access more than one memory, a *BMD* vertex must be inserted between the sequencer and each memory,
- when a memory is shared by several sequencer vertices, a *BMD* including an arbiter (a *BMDA*) must be inserted between all sequencers and the shared memory. Its characteristics are stored in tables which enable the computing of available bandwidth at any time. Arbiters are considered to have a deterministic behaviour. If it is not the case, we will use the worst case behaviour again because we deal with real-time applications.

In our model, a processor corresponds to an architecture sub-graph made of one operator and optionally one or several communicator(s) and *BMD*(s). The whole architecture model is given in [7] as well as the set of connexion rules that enable to build a valid architecture graph.

2.1. Example of architecture graphs

Figure 2-a depicts a very simple graph representing a mono-processor hardware architecture based on only one processor connected to two memory banks: the unique operator *Op_{r1}* is connected to RAM vertices *R1* and *R2* (which store both data and operation instructions) by a *BMD* vertex.

Figure 2-b represents a hardware architecture based on two processors communicating by a serial link. The two operators *Op_{r1}* and *Op_{r2}* are connected by two *RAM_{DP}* (*R1*,*R2*) to their communicators (*Com1*,*Com2*) that respectively share a unique SAM memory (*S*). For example, an operation executed by *Op_{r1}* reads its data from *R1*, produces and writes a data into *R1*. Then a pair of communication operations executed on *Com1* and *Com2* cooperates to write this data into *R2*. Finally an operation *B* executed on *Op_{r2}* is able to read this data in order to use it in turn.

Figure 3 shows the architecture diagram of a PENTEK 4290 Quad C6201 board⁴ based on four Texas Instrument DSP (TMS320C6211). Figure 4 represents the corresponding architecture graph of this board. Each DSP is able to access three types of local memories (SB-SRAM,SDRAM,DPRAM) modeled by three memory vertices (*R_{SB}*,*R_{SD}*,*R_{DP}*). Each DSP is able to communicate data to two neighbors through two BI-FIFO modeled by *S_{bififo}* vertices. Each empty circle represents a *BMDA* vertex. This board has been used to implement real-time image processing applications with AAA/SynDEX.

⁴www.pentek.com

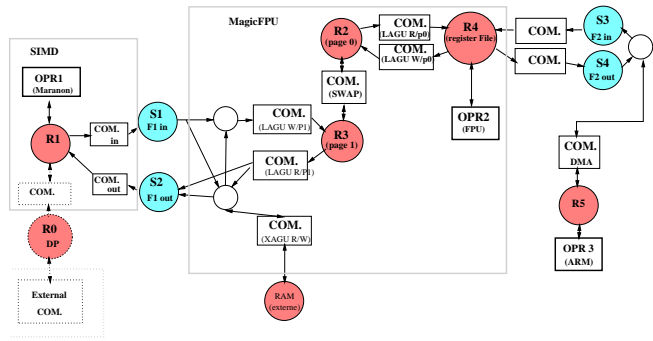


Figure 5. Architecture graph of Mephisto SoC

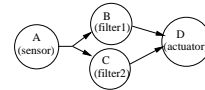


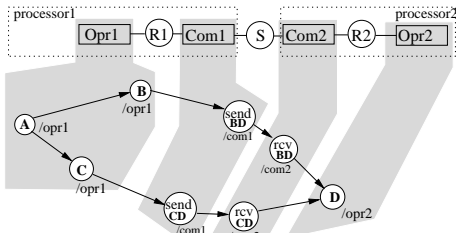
Figure 6. Basic example of an algorithm graph

Figure 5 shows the architecture graph of the System on Chip “Mephisto” made by Thales. This SoC [2] is based on a SIMD processor (*Op_{r1}*), a DSP processor (*Op_{r2}*) and an ARM7 core cpu (*Op_{r3}*). Each pair of communicator shares a SAM (*S1*,*S2*,*S3*,*S4*) or a RAM (*R0*,*R2*,*R3*) in order to communicate. Each operator is connected to its own memory (*R1*,*R4*,*R5*).

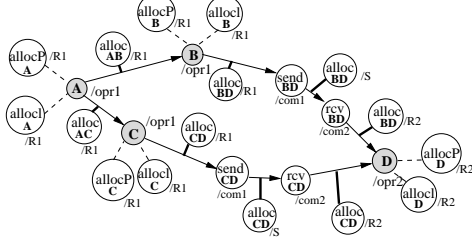
3. Algorithm Model

An algorithm is a finite sequence (total order) of operations directly executable by a FSM. If we want to use efficiently a multiprocessor architecture, composed of several FSM giving some available parallelism, algorithms should be specified with at least as much potential parallelism as the available parallelism of the architecture. Notice that it is always preferable to specify the algorithm with much more potential parallelism than available parallelism in order to take advantage of possible choices. Moreover, since we want to be able to compare the implementation of an algorithm onto different architectures, the algorithm graph must be specified independently of any architecture graph. Thus, we extend the notion of algorithm to an oriented hyper-graph G_{al} of operations (graph vertices O), whose execution is partially ordered by their data-dependences (oriented graph edges D so that $D \subseteq O \times \mathcal{P}(O)$, $G_{al} = (O, D)$).

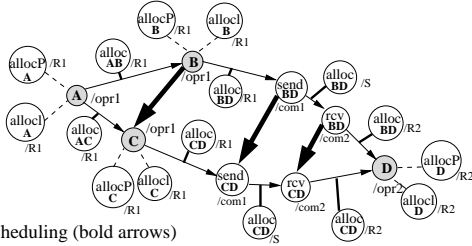
This *data-dependence graph*, also called directed acyclic graph (DAG), exhibits a potential parallelism: two operations which are not in data-dependence relation, may be executed in any order by the same operator or simultaneously by two different operators. We need a hyper-graph model (an example is given in figure 6) because each data-dependence may have several extremities but only one ori-



a) Distribution: partitioning & communication vertices



b) Distribution: insertion of allocation vertices



c) Scheduling (bold arrows)

Figure 7. Implementation graph example

gin (Cf. figure 6: diffusion of data from A to B and C). Notice that in this case the transmitted data is of the same type for each extremity of the hyper-edge but you can have different edges carrying different types of data. In order to specify loops (`for i=x to y`) and conditioned operations (`if, then, else`) we extended in [4, 7] the typical DAG model by adding repetition (`fork, join, iterate, diffuse`) vertices and conditioning edges.

4. Implementation Model

Given a pair of algorithm and architecture graphs, we transform the algorithm graph according to the architecture graph in order to obtain an implementation graph. This transformation corresponds to a *distribution* and a *scheduling* of the algorithm graph.

4.1. Distribution

The distribution, also called partitioning or placement, is modeled by the relation *dist* applied to a pair of algorithm and architecture graphs. This produces a distributed algorithm graph G'_{al} such that : $(G_{al}, G_{ar}) \xrightarrow{dist} (G'_{al})'$. Distribution is obtained in three main steps:

1. spatial allocation of the operations onto the operators, leading to inter-operator edges (data-dependence between two operations belonging to two different operators),
2. each of these edges is replaced by a linear sub-graph (sequence of edges and vertices) that will be detailed in 4.3. We will see that this sub-graph includes *communication operations* allocated to communicators,
3. for each operation allocated to an operator, we will see in 4.3 that new “memory allocation vertices” are added and allocated to one of the *RAM* memories connected to the operator.

4.2. Scheduling

The scheduling is modeled by the relation *sched* applied to a pair (G'_{al}, G_{ar}) so that $(G'_{al}, G_{ar}) \xrightarrow{sched} (G''_{al})'$. For each operator (resp. communicator) the scheduling is a temporal allocation of the operations (resp. communication operations) allocated to this sequencer. This amounts to the adding of “precedence without communication edges” ($e_p \in E_p$) in order to transform the partial order associated to the operations allocated to an operator (resp. communication operations allocated to a communicator). This is necessary because operators (resp. communicators), which are FSM, require an execution order between the operations (resp. communication operations) allocated to them. This order must be compatible with the precedences required by the data-dependences. Then, if operations executed by a same sequencer are not directly or transitively ordered, this execution order is specified by adding precedence edges e_p between them. Valid implementation graphs are obtained using the following rules, afterwards we will see how to build optimised implementation graphs.

4.3. Distribution and scheduling rules

In order to execute an operation (resp. a communicating operation), an operator (resp. a communicator) needs to read all of the instructions in its connected RAM_P : we model this by adding an *allocation vertex* in the algorithm graph. Such vertex, denoted $alloc_P \in V_{alloc_P}$ is associated to RAM_P and connected to the operation by a non-oriented edge. If the operation requires some local variables to perform computation, we add a second allocation vertex denoted $alloc_{lo} \in V_{alloc_{lo}}$ associated to one RAM_D connected to the operation’s operator.

The execution of each operation by an operator consists in reading the operation’s input data from one of the operator memories (RAM_D, RAM_{DP}), then in combining them to compute the output data, which is finally written into one memory connected to the operator. Therefore, when two

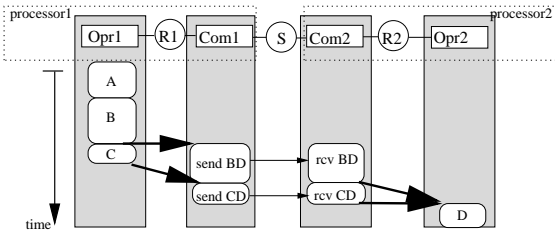


Figure 8. Temporal representation of implementation graph of figure 7 (without allocation vertices)

operations in data-dependence (edge of algorithm graph) are executed by the same operator, the operation producing the data must be executed in sequence before the operation consuming the data. We model the allocation into one of the connected memories by adding an allocation vertex to the algorithm graph. This vertex, denoted $alloc_D \in V_{alloc_D}$, must be associated to the allocated memory.

These three types of allocation vertex are connected to their producing and consuming operations by non-oriented hyper-edges $e_{alloc} \in E_A$. As explained hereafter, such allocation vertices will be used in order to predict and minimize memory allocation as well as the duration of the execution of operations.

When two data-dependent operations are executed by two different operators, the data must be transferred, from the RAM memory of the operator executing the producing operation (after its execution), into the RAM memory of the operator executing the consuming operation (before its execution). Such a data-dependence is called an *inter-operator data-dependence*. In order to support it, a *route* (path in the architecture graph) must be chosen between the two memories connected to the operators. For each communicator (resp. BMD) composing this route, a communication operation⁵ $o_c \in V_c$ (resp. *identity vertex* $o_i \in V_i$) must be inserted into the algorithm graph. For each memory between the producing and the consuming operations an allocation vertex $alloc_D$ is also added.

Finally, from a pair of algorithm and architecture graphs we get the set of the possible implementation by the composition of the two previous relations: $(G_{al}, G_{ar}) \xrightarrow{dist\ o\ sched} (G''_{al})$ where $G''_{al} = (O \cup V_{alloc_P} \cup V_{alloc_{\rho}} \cup V_{alloc_D} \cup V_c \cup V_i, D \cup E_A)$. The partial order of the algorithm graph G_{al} has been transformed in a total order (thanks to the added precedence edges E_A) on each partition element but the order is globally partial (parallelism). In [7] we proved that by construction the total order of G''_{al} includes the partial order of G_{al} : this ensures the correct execution order of the application.

Figure 7 shows a simple implementation example of the

⁵send and receive for a pair of communicators connected to a SAM, read and write for a pair of communicators connected to a RAM.

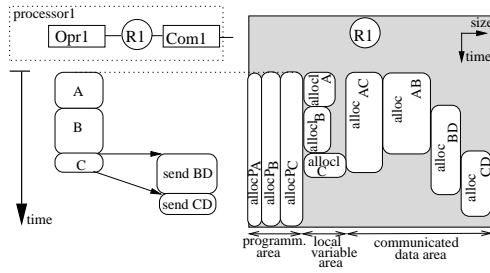


Figure 9. Temporal representation of the memory map of RAM R1

algorithm graph presented in figure 6 onto the architecture⁶ presented in figure 2-b. Such an implementation graph is automatically (and quickly) generated from the results of the optimization heuristic given in the next section. In this example we want A, B and C to be executed by Opr1 and D executed by Opr2. Consequently two pairs of communication operations ($send_{BD}, receive_{BD}$ and $send_{CD}, receive_{CD}$) must be inserted and associated to com1 and com2 in order to realize data transfers on the shared SAM S (7-a). Allocation vertices ($alloc_{AB}, alloc_{BD}, alloc_{AC} \dots$) have also been added in order to model all required memory allocations (7-b). Since operations B and C, which are not dependent, are allocated to the same operator, they may be executed in parallel if allocated to different operators because there is no data-dependence edge between them: an order of execution must be chosen between them⁷. Thus, we add a dependence edge between B and C and symmetrically between the communication operations (bold arrows of figure 7-c).

4.4. Optimization of the implementation

When several operators are able to execute an operation, one of them must be chosen in order to execute it. Consequently, for a given pair of algorithm and architecture graphs, there is a large but finite number of possible implementations, among which we need to select the most efficient one, i.e. one which satisfies real-time constraints and uses the least possible architecture resources. This optimization problem, as most resource allocation problems is known to be NP-hard, and its size is usually huge for realistic applications. This is why we need to use heuristics. The one we chose is based on a fast and efficient greedy list scheduling algorithm, with a cost function based on the “critical path” and the “schedule flexibility” of the implementation graph: it takes into account the execution dura-

⁶Since space is lacking, it is not possible to illustrate an implementation on a more complex architecture (such as the four DSP presented in figure 2-c). The one we chose here (figure 2-b) is sufficient and will be used to illustrate all transformations (including code generation).

⁷Notice that in this example, for pedagogical reason, we do not take advantage of the potential parallelism between operation B and C.

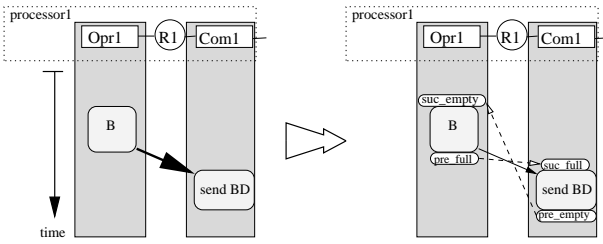


Figure 10. Principle of synchronisation

tions of operations and of communications and the size and bandwidth of each memory. Durations are obtained by a preliminary step of characterisation. Describing this heuristic is not the purpose of this paper which rather focus on the implementation flow. The interested reader can refer to [8] which gives the main principles of the heuristic but does not take into account arbiter and memory vertices describe here. The complete heuristic is given in [7].

4.5. Performance prediction

Figure 8 is a temporal representation graph of the implementation graph given in figure 7. It is drawn by taking into account operations and communications durations. Vertical length of each box is proportional to its execution duration. This temporal graph is displayed after our heuristic is performed. Such a graph is useful for the designer who wants to study real-time behaviour and to verify real-time constraints.

Moreover, we build a memory allocation diagram. Such a diagram enables the designer to predict the memory space required to store and execute the whole application. Figure 9 is a temporal memory allocation diagram of RAM R1 of figure 8 (memory map). This information is used by our heuristic in order to make off-line memory re-allocation, enabling to safely and deterministically save memory space. The horizontal size of each allocation vertex is proportional to the allocated size used in memory. The vertical size corresponds to the allocation duration.

For usual applications, made of algorithm graphs of about 300 vertices and architecture graphs of 10 vertices, it takes less than one minute to compute the optimized implementation graph.

5. Executive Generation

For each processor the executive is the part of the code which supports the execution of the application. We assume that the user provides the code associated to the operations used to specify the algorithm. Executive provides services such as memory allocation, inter-processor communication and synchronization, and operations scheduling, all determined off-line in our approach. In our approach we do

not require any resident real-time executive since we generate all the necessary services from a generic library that we provide, and which is small enough to be easily translated to support different processors as explain later. The executives that we will be automatically generated are said to be dedicated because they are perfectly tailored for each real-time embedded application. Since no real-time operating system (RTOS) is required, we can guarantee the deterministic behaviour of our real-time execution. All off-line optimizations which have been made by the distribution and scheduling heuristic are then necessarily implemented efficiently.

Executive generation corresponds to the final graph transformation of our methodology. This generation is performed following four steps [7]: (1) transformation of the optimized implementation graph into an executive graph, (2) transformation of the executive graph into as many sequences of macro-executive as there are of processors, (3) transformation of each sequence of macro-executive into a source file, (4) compilation, downloading and execution of each source file.

5.1. From implementation graph to execution graph

This transformation is modeled by the relation $exec: (G_{al}^II, G_{ar}) \xrightarrow{exec} (G_{al}^III)(\cdot)$. It consists in adding new types of vertex: *Loop*, *EndLoop*, *pre-full/suc-full*, *pre-empty/suc-empty* vertices. This is done in two steps:

1. since we deal with reactive applications (i.e. applications in constant interaction with the environment that they control) we need to make the sequence of operations allocated to each operator repetitive: in each operator partition we add and connect a *Loop* vertex before the first operation and a *EndLoop* vertex after the last operation (Cf. figure 11),
2. since operator and communicator are independent sequencers, it is necessary to synchronize the execution of data dependent operations executed by different operators and/or communicators, i.e. this corresponds to the implementation of inter-partition edges, drawn with bold arrows on figure 10 and 8. In order to realize these synchronisations we replace each inter-partition edge by a linear sub-graph made of an edge connected to a *pre-full* vertex which is itself connected to a *suc-full* vertex (right part of figure 10). The *pre-full* (resp. *suc-full* vertex is allocated to the same partition as the producing (resp. consuming) operation. *Pre-full* and *suc-full* vertices model the operations which are able to read-modify-write a binary semaphore. This semaphore is allocated into the memory shared by the sequencers of the producing and consuming operations

which must be synchronized. If `suc-full` (which precedes the consuming operation) is executed before the connected `pre-full` (which follows the producing operation) then the `suc-full` waits until the end of the `pre-full` execution. This ensures a correct execution order. If `pre-full` is executed before the corresponding `suc-full` it just changes the state of the semaphore without waiting: the operation following `pre-full` is executed in sequence. We also need to avoid a producing operation overwrites the content of a buffer which has not yet been sent: then we inserted a pair of `pre-empty`/`suc-empty` vertices. `Pre-empty` is inserted after the consuming operation while `suc-empty` is inserted before the producing operation. Notice that synchronisation transformations are not required if the sequencers share a SAM since this type of memory ensures a write-read synchronisation in hardware.

Synchronizations operations are fundamental in distributed systems since they guarantee that each data-dependence of the algorithm graph is implemented correctly. They guarantee that all buffers are always accessed in the order specified by the data-dependences in a way that this order is satisfied at runtime independently of the execution durations of the operations. Therefore the implementation optimization, even if it may be biased by inaccurate architecture characteristics, is safe in the sense that it cannot induce runtime synchronization errors (such as deadlocks, or lost data). This certitude allows big savings in application coding and at debugging times. Such synchronizations are often hand-written in usual design: deadlocks may then occur if the designer misses one of them or does not write them in the the correct order.

Finally, since synchronizations operations are added in order to guarantee the partial execution order specified in the initial algorithm graph, and because the implementation of our synchronization reflects exactly our models, we do not have to consider any run-time overhead (as consensus waiting problem) induced by synchronization.

Figure 11 depicts a complete example of the execution graph obtained after the transformation of the implementation graph drawn in figure 8. `Loop/EndLoop` vertices has been added on `Opr1, Com1, Com2` and `Opr2` operations. In order to lighten the graph allocation vertices are not drawn.

5.2. From execution graph to macro-executives

Once the executive graph has been built, we transform the sub-graph allocated to each operator (processor) of the architecture graph into a sequence of macro-instructions. The use of a macro code enables to mix easily different programming languages (C, asm, Fortran, SystemC...) that can be found in heterogeneous architecture.

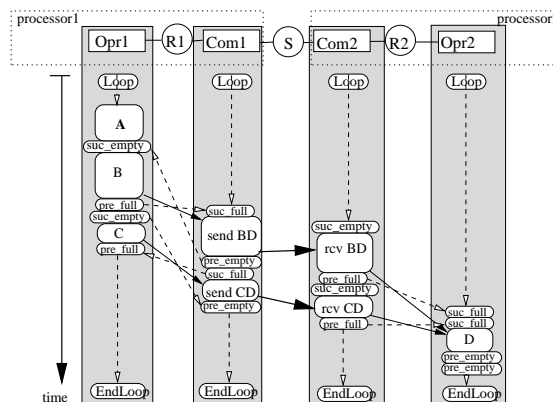


Figure 11. Execution graph after transformation of implementation graph of figure 8

The structure of a macro-executive sequence of an operator `opr` is sequentially composed of 3 sections:

- a list of macros allocating memory buffers (lines 2-5 of fig.12): for each allocation vertex allocated to each RAM connected to `opr` we generate an `alloc_(name, type, size)` macro. Where `name` is name of the operation producing the data, `type` the data format and `size` the number of data,
- as many communication sequences (lines 6 to 14) as existing communicators connected to `opr` (only one communicator is connected to each operator in our example). This sequence is generated between a pair of `com_thread_`, `end_thread_` macros. Such a sequence is built by exploration of the sequence of totally ordered vertices allocated to the communicator partition. For each vertex of the sequence we generate a corresponding macro (`send_`, `receive_`, `read_`, `write_`, `pre-empty...`). The arguments of these macros are computed from the edges connected to their corresponding vertices,
- a unique computation sequence (line 16 to 29). This sequence is generated between a pair of `main_`, `end_main_` macros. Such a sequence is also built by exploration of the sequence of totally ordered vertices allocated to the operator partition. The `spawn_(com1)` macros (line 17) has to run the communication thread `com1`. This thread is executed under DMA interrupt (end of transfers interrupt) of the main computation thread which have a lower priority in order to be able to be interrupted. In the computation sequence `suc` macros are implemented by “active waiting” (polling) while in the communication sequences they are implemented by “passive waiting”.

In order to generate an implementation code whose partial order is identical to the implementation graph, it is im-

```

1: processor_(Processor1) ; file of proc. 1
2: alloc_(alloc_AC,int,1) ; buffer allocation to transfer
3: alloc_(alloc_AB,int,1) ; data between operations
4: alloc_(alloc_BD,int,1) ; alloc_(name,type,size)
5: alloc_(alloc_CD,int,1)
6: com_thread_(com1) ; Communication sequence
7: Loop_( )
8: suc_(BD_full) ; wait shared buffer BD writed
9: send_(alloc_BD,com2) ; send shared buffer BD to com2
10: pre_(BD_empty) ; tell shared buffer is now free
11: suc_(CD_full)
12: send_(alloc_CD,com2)
13: pre_(CD_empty)
14: EndLoop_( )
15: end_thread_(com1) ; End of comm. sequence
16: main_ ; Beginning of computing sequence
17: Spawn_(com1) ; Run the thread of communication
18: Loop_( )
19: A (alloc_AB,alloc_AC) ;sensor operation store data in
20: ;buffers alloc_AB and buffer alloc_AC
21: suc_(BD_empty) ;wait until buf.BD is empty (not on 1st time)
22: B (alloc_AB, alloc_BD) ;computing opn read from AB, result in BD
23: pre_(BD_full) ;tell buffer BD is writed, allows comm. sequence
24: ;to exec. send BD
25: suc_(CD_empty)
26: C (alloc_AC,alloc_CD)
27: pre_(CD_full)
28: EndLoop_( )
29: end_main_ ; End computing sequence
30: end_processor_

```

Figure 12. Macro code from graph of figure 8

portant to remind that the translation/print process follows the exact order given by intra-sequencer vertices.

5.3. From macro-executives to source code

Each sequence of macro-instruction is translated by a macro-processor (we use gnu-M4) into a source code written in the best suited compilable language for each target operator. A macro is translated either into a sequence of in-lined instructions, or into a call to a separately compiled function. These macros are classified into two sets corresponding to two kind of libraries. The first one is a fixed set of *system macros*, which support code downloading, memory management, sequence control, inter-sequence synchronization, inter-operator transfers, and runtime timing (in order to characterise algorithm operations and to profile the application). The second one is an extensible set of *application dedicated macros*, which support the algorithm operations.

Once the executive libraries have been developed for each type of processor, it takes only few seconds to automatically generate, compile and download the deadlock free code for each target processor of the architecture. It is then easy to experiment different architectures with various interconnection schemes.

Figure 12 is a simplified example of code generation obtained by transformation of the execution graph given in figure 11. This example will focus on processor 1 (the code of processor 2 is generated symmetrically):

- generation of `alloc_` macro (line 2-5) for each each allocation vertex associated to RAM *R1* of figure 7 (the reader must remember that for readability allocation vertex are not drawn on figure 11),

- the unique communicator sequence is generated between a pair of `com_thread_(com1)` and `end_thread_(com2)` macros. Then we build the contents of the communication sequence (line 6 to 14) of the communicator *com1* of figure 12. Each communication vertex scheduled on *com1* is translated into a `send_` (line 9) or a `receive_` macro, each synchronization vertex is translated into the corresponding macros `pre-empty/full_` and `suc-empty/full_` in order to synchronize the communication sequence with the operator sequence (pair of macro on line 10/21, 23/8, 13/25, 27/11 synchronize locally the operator sequence with the communication sequence),
- the unique operator sequence is generated between a pair of `main_` and `end_main_` macros (line 16 to 29): each operation vertex is translated into a macro with the same name (*A*, *B* and *C* for *opr1*, line 19, 22 and 26) taking the allocation vertex name as an argument.

Theses files are then translated into the language of the target processor by the m4 macroprocessor with the help of a generic processor specific library (containing the definitions of each “system” macro, and the application library). For example, if the compiler of the target processor accept the C language, the translation of a `alloc_(alloc_AC,int,1)` macro will be `int alloc_AC;`. The translation of a `send_` macro may be `DMA_send_(alloc_BD,sizeof(alloc_BD),com2)` with *com2* the address of a media writable by a DMA channel of the processor. The implementation of synchronization macros are often coded in assembly language since performance and context switching minimization between communications and computation sequence are required, i.e. context switches only occur between the communication sequences (which are composed of system macros only) and the computation sequence, then only few registers need to be saved and restored. The size of the current C executive library for DSP TMS320C6211 from Texas Instrument is 23Ko of source code, the size of the executive library dedicated to the DMA/FIFO communications of the Pentek4290 board is less than 10ko of source code. It is not a complex task to support a new architecture since skeleton of each library may be identical.

Finally, since the execution order of the generated code is coherent with the partial order of the algorithm graph, this ensures a correct real-time execution.

6. Related Work

The whole methodology is implemented in the system level CAD software SynDEx⁸[8]. Its graphical user inter-

⁸<http://www-rocq.inria.fr/syndex>

face enables the user to specify both the algorithm and the architecture graphs, to execute the aforementioned heuristic and then to display the resulting distribution and scheduling on a timing diagram. When the user is satisfied by the predicted timing, SynDEX can automatically generate the deadlock free executive for the real-time execution of the algorithm onto the multiprocessor. Real-time distributed executive libraries have been developed for networks based on DSPs (TMS320C6x, TMS320C40, ADSP21060), micro-controllers (MPC555, i87C196KC, MC68332), and general purpose processors (PC and UNIX workstations). SynDEX has been used to develop several real-time heterogeneous applications, among which [11]: a semi-autonomous urban electric vehicle (controlled by five Motorola PowerPC MPC555 micro-controllers and a CAN bus), image processing application on multi-DSP [6], digital signal processing on a System On a Chip [2].

7. Conclusion

As it has been mentioned in section 3 our algorithm model supports more complex specification with loops and conditioned operations which has not been detailed in this paper since this does not modify the transformation flow.

The implementation task, from the high level specification to the code execution, has been expressed in terms of graph transformations and lead to a seamless development flow which improves traceability and which can be automatized. Thanks to these transformations, the partial order given by the automatic executive generation is coherent with the algorithm partial order, this guarantees a deadlock free distributed execution. Thanks to our implementation model, and although the algorithm graph is a unique assignment model, off-line memory re-allocation is achievable and enables memory optimizations. Thanks to our architecture model, it is possible to cover a large amount of architectures based on various memory and communication networks. Thanks to the chosen level, this model enables the accurate performing of behaviour prediction. It is then well suited for resources optimization. Communications, which are crucial in real-time embedded application, are carefully taken into account during optimization and executive generation. Finally, these models and transformations rules make possible the generating of off-line optimized distributed executives even for the rapid prototyping step.

Efforts are now made in order to specify and implement an equivalent seamless transformation flow in order to support architectures based on reconfigurable circuit [4].

References

[1] Behrooz A. Shirazi, A. Hurson, and Krishna M. Kavi. *Scheduling and load balancing in parallel and distributed*

- system*. IEEE Computer Society Press, 1995.
- [2] M. Barreteau, P. Bonnot, T. Grandpierre, P. Kajfasz, C. Lavarenne, J. Mattioli, and Y. Sorel. Prompt : A mapping environment for telecom applications on soc. In *CASE2000, Int. Conf. on Compilers, Architecture and Synthesis for Embedded Systems*, San Jose, USA, nov. 2000.
- [3] J.T. Buck, S. Ha, E.A. Lee, and D. G. Messerschmitt. Ptolemy: A framework for simulating and prototyping heterogeneous systems. In *Int. Journal of Computer Simulation, special issue on "Simulation Software Development*, volume 4, pages 155–182, April 1994.
- [4] A. Dias, C. Lavarenne, M. Akil, and Y.Sorel. Optimized implementation of real-time image processing algorithms on field programmable gate arrays. In *ICSP'98 4'th Int. Conf. on Signal Processing*, Beijing,, 1998.
- [5] R. Ernst. Codesign of embedded systems: Status and trends. *IEEE Design and Test of Computers*, pages 45–53, April-June 1998.
- [6] V. Fresse, M. Assouil, and O. Desforges. Rapid prototyping for mixed architectures. In *proc. of IEEE Int. Conf. on Acoustics, Speech, and Signal Processing, Istanbul, Turkey*, Jun. 5-9 2000.
- [7] T. Grandpierre. *Modele d'architecture parallele heterogene pour la generation automatique d'executif temps reel optimise*. PhD thesis, Univ. Paris XI - Orsay, 2000.
- [8] T. Grandpierre, C. Lavarenne, and Y. Sorel. Optimized rapid prototyping for real time embedded heterogeneous multiprocessors. In *proc. of IEEE CODES'99 7th Int. Workshop on Hardware/Software Co-Design*, Rome, May 1999.
- [9] Y. K. Kwok, I. Ahmad, M. Y. Wu, and W. Shu. A graphical tool for automatic parallelization and scheduling of programs on multiprocessors. In *Europar*, pages 36–43, Octobre 1997.
- [10] P. Mishra, P. Grun, N. Dutt, and A. Nicolau. Processor-memory co-exploration driven by a memory-aware architecture description language. In *14th International Conference on VLSI Design (VLSI Design 2001)*, Jan. 2001.
- [11] W. Mooncheol, T.Grandpierre, G. Fleutot, and Michel Parent. A joystick driving algorithm with a collision stop feature on an electric vehicle (cycab). In *IEEE IV'2002 Intelligent Vehicle Symp.*, 2002.
- [12] L. Schfers and C. Scheidler. Trapper: A graphical programming environment for embedded MIMD computers. In S.C. Hilton M.R. Jane R. Grebe, J. Hektor and P.H. Welch, editors, *Transputer Applications and Systems'93*, pages 1023–1034. Proc. of 1993 World Transputer Congress, IOS Press, 1993.
- [13] Y. Sorel. Massively parallel computing systems with real time constraints, the algorithm architecture adequation methodology. In *Proc. of the Massively Parallel Computing Systems*, May 1994.
- [14] A. Tiskin. The bulk synchronous parallel random access machine. In *Proc. of EURO-PAR'96*, volume 2, pages 327–338, August 1996.
- [15] Virtual component co-design. <http://www.cadence.com>.