



HAL
open science

Compact Modeling Solutions for Oxide-Based Resistive Switching Memories (OxRAM)

Marc Bocquet, Hassen Aziza, Weisheng Zhao, Yue Zhang, Santhosh Onkaraiah, Christophe Muller, Marina Reyboz, Damien Deleruyelle, Fabien Clermidy, Jean-Michel Portal

► **To cite this version:**

Marc Bocquet, Hassen Aziza, Weisheng Zhao, Yue Zhang, Santhosh Onkaraiah, et al.. Compact Modeling Solutions for Oxide-Based Resistive Switching Memories (OxRAM). *Journal of Low Power Electronics and Applications*, 2014, 4 (1), pp.1-14. 10.3390/jlpea4010001 . hal-01737320

HAL Id: hal-01737320

<https://hal.science/hal-01737320>

Submitted on 19 Mar 2018

HAL is a multi-disciplinary open access archive for the deposit and dissemination of scientific research documents, whether they are published or not. The documents may come from teaching and research institutions in France or abroad, or from public or private research centers.

L'archive ouverte pluridisciplinaire **HAL**, est destinée au dépôt et à la diffusion de documents scientifiques de niveau recherche, publiés ou non, émanant des établissements d'enseignement et de recherche français ou étrangers, des laboratoires publics ou privés.

Article

Compact Modeling Solutions for OxRAM memories

M. Bocquet^{1,*}, H. Aziza¹, W.S. Zhao² and Y. Zhang², S. Onkaraiyah³, C. Muller¹, M. Reyboz³, D. Deleruyelle¹, F. Clermidy³ and J.-M. Portal¹

¹ IM2NP, UMR CNRS 7334, Aix-Marseille Université, 38 rue Joliot Curie, Marseille, France

² IEF, Univ. Paris-Sud, UMR8622, CNRS, Orsay, France

³ CEA-Léti, Grenoble, France

* Author to whom correspondence should be addressed; marc.bocquet@im2np.fr

Received: xx / Accepted: xx / Published: xx

Abstract: Emerging non-volatile memories based on resistive switching mechanisms pull intense R&D efforts from both academia and industry. Oxide-based Resistive Random Access Memories (namely OxRAM) gather noteworthy performances, such as fast write/read speed, low power and high endurance outperforming therefore conventional Flash memories. To fully explore new design concepts such as distributed memory in logic, OxRAM compact models have to be developed and implemented into electrical simulators to assess performances at a circuit level. In this paper, we present an compact models of the bipolar OxRAM memory based on physical phenomenons. This model was implemented in electrical simulators for single device up to circuit level.

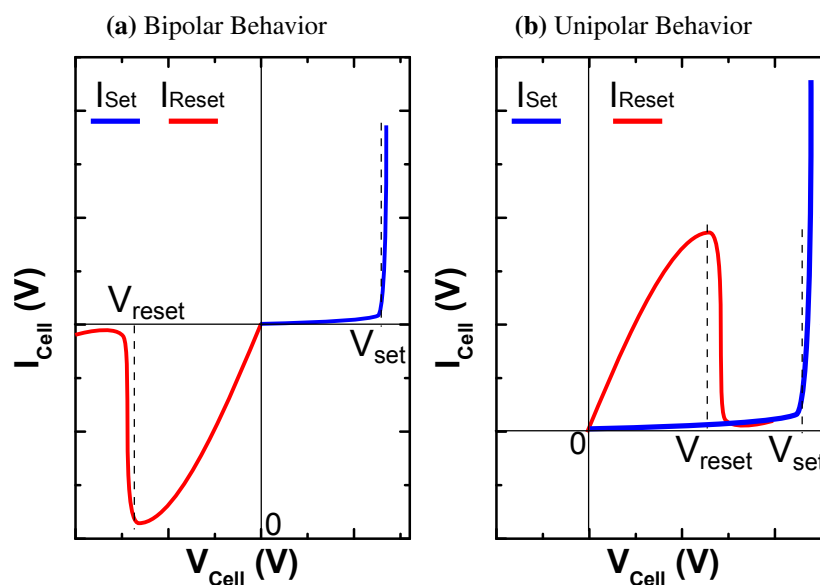
Keywords: Compact modeling; OxRAM; design

1. Introduction

Memory devices based on resistive switching materials are currently pointed out as promising candidates to replace conventional non-volatile memory devices based on charge-storage beyond 2nm-technological nodes [1–3]. Indeed, as compared to conventional floating gate technologies, Resistive RAMs (so-called RRAM) gather fast write/read operations, low power consumption, CMOS voltage compatibility and high endurance. Moreover the resistive memory element consists of a simple Metal/Insulator/Metal (MIM) stack. In this way, one of the major advantages of resistive switching

8 memories is their capability, whatever the underlying physics is, to be integrated in the back-end-of-line
 9 enabling NVM solutions to be distributed over CMOS logic. Relying on different based on different
 10 physical mechanisms, various RRAM technologies are now categorized in the ITRS. The Redox Memory
 11 category, covered in this study, includes Conductive Bridge RAM (CBRAM) [4] and Oxide Resistive
 12 RAM (OxRAM) [5] both of whom exhibit a bipolar behavior, (i.e. switching relying on voltage polarity)
 13 (cf Figure 1a). Conversely, RRAM technologies referred as Thermo-Chemical Memories (TCM)[6], or
 14 fuse-antifuse memories, are mostly based on nickel oxide (NiO) and exhibit a unipolar behavior (i.e.
 15 switching relying on voltage amplitude) as show in Figure 1b.

Figure 1. Typical I–V characteristic of Resistive memories.



16 For the OxRAM memory elements addressed in this paper, the MIM structure is generally composed
 17 of metallic electrodes sandwiching an active layer, usually an oxygen-deficient oxide. A large number of
 18 resistive switching oxides, like HfO_2 , Ta_2O_5 , NiO, TiO_2 or Cu_2O , are reported in the literature [7–10].
 19 The Valency Change Mechanism (VCM) occurs in specific transition metal oxides and is triggered by a
 20 migration of anions, such as oxygen vacancies.

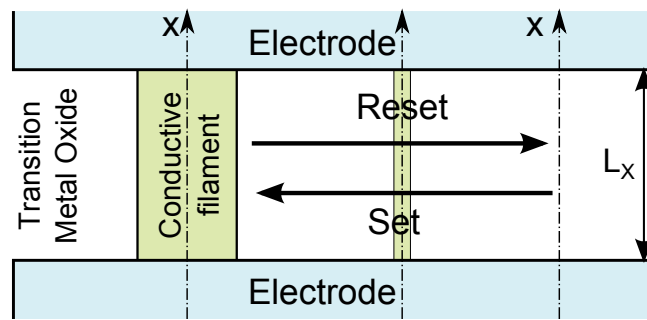
21 After an initial electroforming step, the memory element may be reversibly switched between a
 22 High Resistance State (HRS) and a Low Resistance State (LRS). The electroforming stage corresponds
 23 to a voltage-induced resistance switching from an initial very high resistance state (virgin state) to a
 24 conductive state. In the case of bipolar switching, bipolar voltage sweeps are required to switch the
 25 memory element (Figure 1a). Resistive switching in an OxRAM element corresponds to an abrupt
 26 change between a HRS (R_{HRS}) and a LRS (R_{LRS}). This resistance change is achieved by applying
 27 specific voltage to the structure (i.e. V_{Set} and V_{Reset}). Generally, the electroforming voltage is superior
 28 to these voltages. However several groups have demonstrated forming-free structures by adjusting the
 29 stoichiometry of the active layer [11–13].

30 In this paper, an compact models of the bipolar OxRAM memory is presented. This model was
 31 implemented in electrical simulators for single device up to circuit level.

32 **2. Compact model for OxRAM cells**

33 Even if OxRAM technology is still in its *infancy*, it is broadly accepted that the field-assisted motion
 34 of oxygen vacancies governs the bipolar resistance switching [14]. The proposed OxRAM modeling
 35 approach [15–17] relies on electric field-induced creation/destruction of Conductive Filament (CF)
 36 within the switching layer. The model is based on a single master equation in which both *set* and
 37 *reset* operations are accounted simultaneously and control the radius of the conduction pathway (r_{CF}).
 38 Figure 2 depicts the proposed model for the switchable MIM structure.

Figure 2. Formed and dissolved conductive filament resulting from *set* and *reset* operations respectively in MIM structure.



The *set* (*resp. reset*) process can be described by an electrochemical kinetic equation relying on the Butler-Volmer equation [18]. In the LRS, where conduction is controlled by the CF, charge transport is assumed to be ohmic accordingly to previous reports in the literature [19,20]. On the contrary, HRS is dominated by leakage current within the oxide layer where. To take into account a lot of trap assisted current (Poole-Frenkel, Schottky emission, Space Charge Limited Current (SCLC)), a power law between the cell current and the applied bias has been considered. The model assumes a uniform CF radius and electric field in the cell where temperature elevation (triggered by Joule effect) may accelerate redox reaction rates. In this way the local temperature of the filament is given by [15]:

$$T = T_{amb} + \frac{V_{Cell}^2}{8 \cdot k_{th}} \cdot \left(\frac{r_{CF}^2}{r_{CFmax}^2} \cdot (\sigma_{CF} - \sigma_{OX}) + \sigma_{OX} \right) \quad (1)$$

39 where T_{amb} is the ambient temperature, where V_{Cell} is the voltage applied between the top and the
 40 bottom electrodes, k_{th} is the thermal conductivity and σ_{CF} (*resp.* σ_{OX}) is the electrical conductivity of
 41 the conductive filament (*resp.* oxide)

The *Set* operation is modeled based on the Butler-Volmer equation through the electrochemical reduction rate (τ_{Red}):

$$\frac{1}{\tau_{Red}} = A_{RedOx} \cdot e^{-\frac{E_a - q \cdot \alpha_{Red} \cdot V_{Cell}}{k_b \cdot T}} \quad (2)$$

42 where k_b is the Boltzmann constant.

Similarly, *reset* concerns the local dissolution of the CF and accounted by the oxidation rate (τ_{Ox}):

$$\frac{1}{\tau_{Ox}} = A_{RedOx} \cdot e^{-\frac{E_a + q \cdot \alpha_{Ox} \cdot V_{Cell}}{k_b \cdot T}} \quad (3)$$

where E_a is the activation energy, α_{Red} and α_{Ox} are the transfer coefficient (ranging between 0 and 1), A_{RedOx} is the nominal redox rate. Hence, the growth/dissolution of the filament results from the inter-play between both redox reaction velocity through the following master equation:

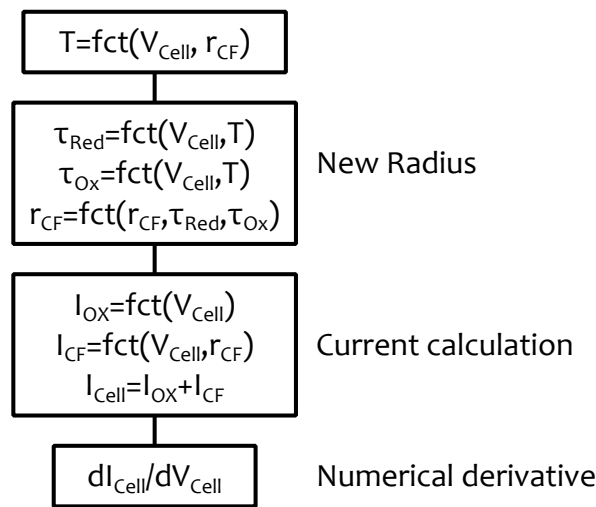
$$\frac{dr_{CF}}{dt} = \frac{r_{CF_{max}} - r_{CF}}{\tau_{Red}} - \frac{r_{CF}}{\tau_{Ox}} \quad (4)$$

where the local CF radius (r_{CF}) is comprised between zero and a maximal value ($r_{CF_{max}}$). To allow implementation into electrical simulation tools, a discrete writing is required. If the time step is sufficiently small, τ_{Red} et τ_{Ox} may be assumed as constant. The discrete form of Eq. 4 is then given by Eq. 5. Solving the differential equation 4 step by step allows a better convergence of simulation tools.

$$r_{CF_{i+1}} = \left(r_{CF_i} - \frac{\tau_{eq}}{\tau_{Red}} \right) \cdot e^{\frac{-\Delta t}{\tau_{eq}}} + \frac{\tau_{eq}}{\tau_{Red}} \quad (5)$$

43 where $\tau_{eq} = \frac{\tau_{Red} \cdot \tau_{Ox}}{\tau_{Red} + \tau_{Ox}}$

Figure 3. Program flowchart employed for numerical simulation of OxRAM memory devices.



Finally, the total current in the OxRAM includes two components, *i.e.* one is related to the conductive species (I_{CF}) [15] the other concerns conduction through the oxide (I_{OX}):

$$I_{CF} = \frac{V_{Cell}}{L_x} \cdot (r_{CF}^2 \cdot \pi \cdot (\sigma_{CF} - \sigma_{OX}) + r_{CF_{max}}^2 \cdot \pi \cdot \sigma_{OX}) \quad (6)$$

$$I_{OX} = A_{HRS} \cdot S_{Cell} \cdot \left(\frac{V_{Cell}}{L_x} \right)^{\alpha_{HRS}} \quad (7)$$

where L_x is the oxide thickness and S_{Cell} is the total area of the device. Finally, the total current flowing through the cell is:

$$I_{Cell} = I_{OX} + I_{CF} \quad (8)$$

44 These equations were then implemented within an ELDO compact model following the flowchart
45 given in figure 3. At each call of the OxRAM instance during a transient simulation, the previous state

46 of the filament as well as the applied voltage are provided to the model in order to take into account the
 47 memory effect. The new filament state and the current are then computed as function of these inputs and
 48 the time step.

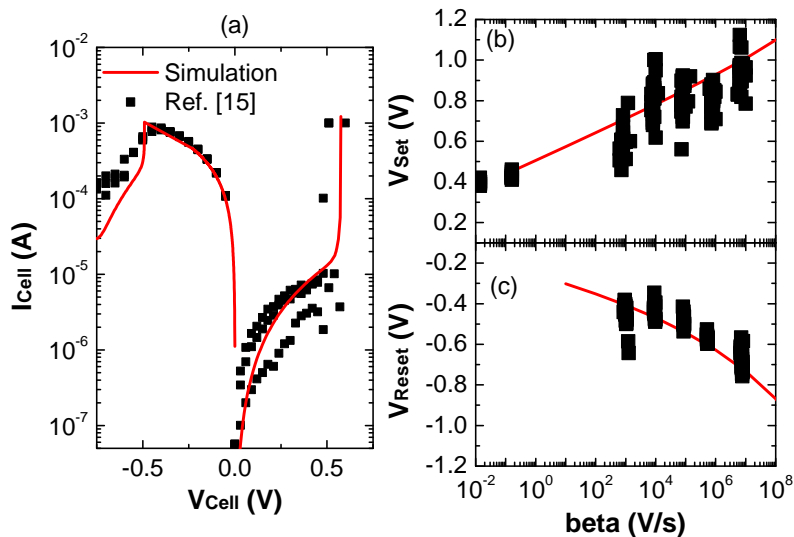
49 **3. Model validation**

50 The compact model was calibrated on recent electrical data measured on HfO₂-based OxRAM devices
 51 [21]. To validate the proposed theoretical approach, the model was confronted to quasi-static and
 52 dynamic experimental data extracted from the literature. Figure 4(a) shows quasi-static *set* and *reset*
 53 $I(V)$ characteristics measured on HfO₂-based memory elements. In this study, the memory elements
 54 consisted in a Ti/HfO₂/TiN stack with a hafnium oxide thickness of 10 nm. The description of the cell
 55 manufacture is presented in [21]. Using the *set* parameters given in Table 1, the present model shows an
 56 excellent agreement with experimental data for both *set* and *reset* operations.

Table 1. Physical parameters used for Bipolar simulations

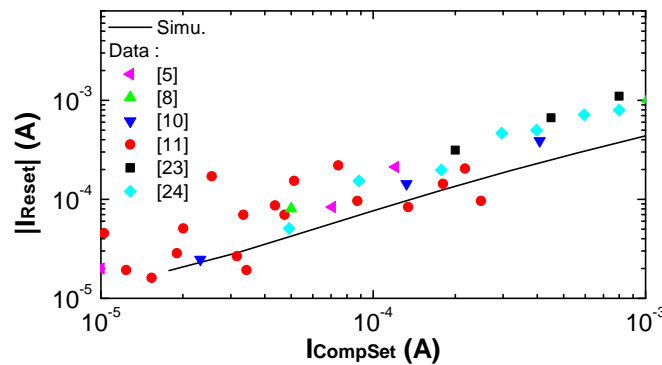
| | |
|---|--|
| $r_{CF_{max}} = 20 \text{ nm}$ | $L_x = 10 \text{ nm}$ |
| $S_{cell} = 1 \mu\text{m} \times 1 \mu\text{m}$ | $T_{amb} = 300 \text{ K}$ |
| $A_{RedOx} = 1 \times 10^9 \text{ s}^{-1}$ | $E_a = .95 \text{ eV}$ |
| $\alpha_{Red} = 0.85$ | $\alpha_{Ox} = 0.85$ |
| $A_{HRS} = 5 \times 10^{-9} \text{ A}/(\text{V}^2)$ | $\alpha_{HRS} = 2$ |
| $\sigma_{Ox} = 0.1 \text{ m} \cdot \text{S}$ | $K_{th} = 0.8 \text{ W}/(\text{K} \cdot \text{m})$ |
| $\sigma_{CF_0} = 12.5 \times 10^5 \text{ m} \cdot \text{S}$ | |

Figure 4. a) Experimental $I(V)$ (■) and b) *set* and *reset* voltage as a function of the programming ramp speed measured on a HfO₂-based memory structures presented in [21] and corresponding simulation results (—).



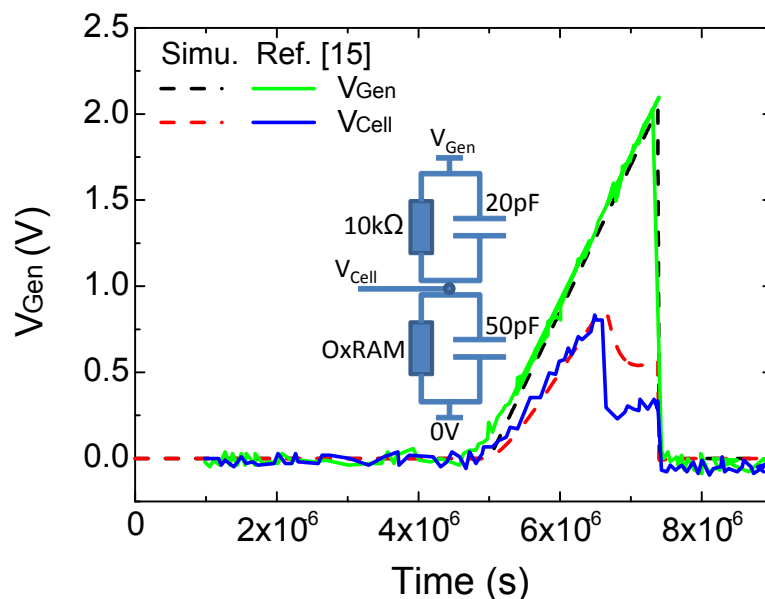
57 Figure 4(b) shows that the proposed model also satisfactorily catches the impact of the experimental
 58 increase of V_{Set} and V_{Reset} with the programming ramp speed. Moreover the effect of the *set* current
 59 limitation on the *reset* current is also taken into account by this compact model (Figure5). It is interesting
 60 to note that this behavior appears for unipolar and bipolar memory [11]. But in our study, only the bipolar
 61 structures will be studied.

Figure 5. Maximum current during the *reset* operation (I_{Reset}) as a function of the maximum current during the preceding *set* operation ($I_{CompSet}$). Experimental data were extracted from Ref. [5,8,10,22–24].



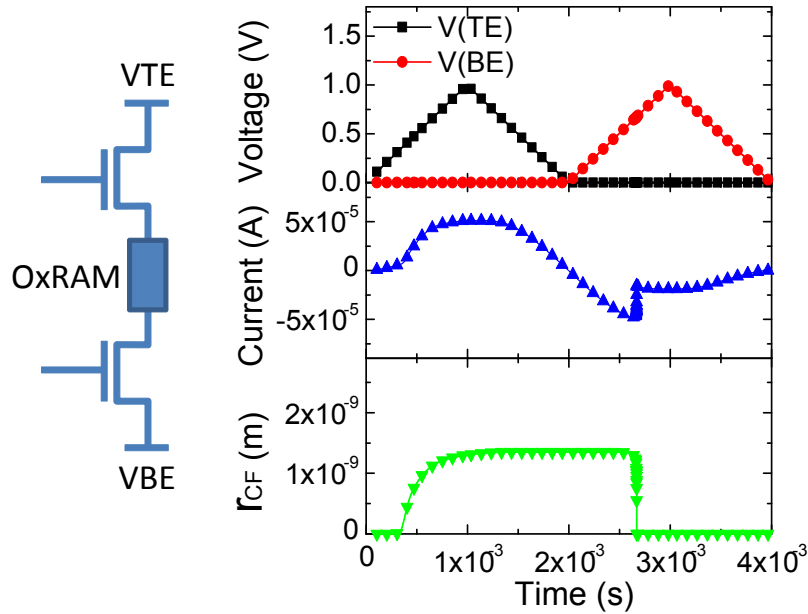
62 Figure 6 illustrates the transient current response of the cell when a voltage ramp is applied to the cell
 63 [Figure 4(b)]. A significant cell voltage discontinuity is observed during the *set* operation. This behavior
 64 highlights the self acceleration of *set* mechanism. Indeed, when the applied voltage is below the *set*
 65 voltage, the resistance continuously decreases. Let us mention that our model, that already includes
 66 a thermal activation of *set* operation, should be able to take into account this effect once the parasitic
 67 capacitances originating from the measurement setup are provided.

Figure 6. Dynamic measurement of OxRAM (HfO₂-based memory) and corresponding simulation results.



68 To fully validate the compact model and its integration into the electrical simulator, Figure 7 gives an
 69 example of bipolar OxRAM cells simulated at a circuit level, *i.e.* surrounded by MOS transistors.

Figure 7. electrical simulation of 2T-1R OxRAM structure



70 These models have been successfully used to simulate new MOS-RRAM cells like a NVM flip-flop
 71 [25], Non-Volatile SRAM[26] and OxRAM memory array [27].

72 **4. Model application**

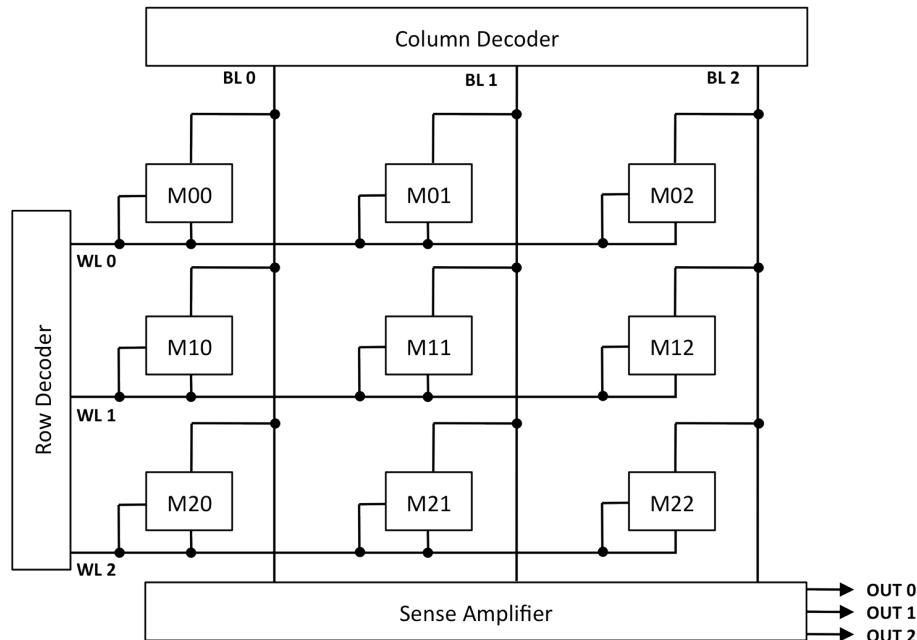
73 *4.1. OxRAM reliability evaluation versus OxRAM variability [16]*

74 In this section, an investigation in the impact of OxRAM variability on the memory array
 75 performances is proposed [16]. Indeed, variability in advanced IC designs has emerged as a roadblock
 76 and significant efforts of process and design engineers are required to decrease its impact.

77 Since the cell variability is calibrated on silicon using the previous OxRAM model, only the
 78 realistically possible variations are reported in this study. A large number of Monte Carlo simulations are
 79 performed to provide the statistics needed to characterize variability. Cell variations are introduced and
 80 simulated sequentially using an electrical simulator. The goal is to track an important shift of reliability
 81 parameters.

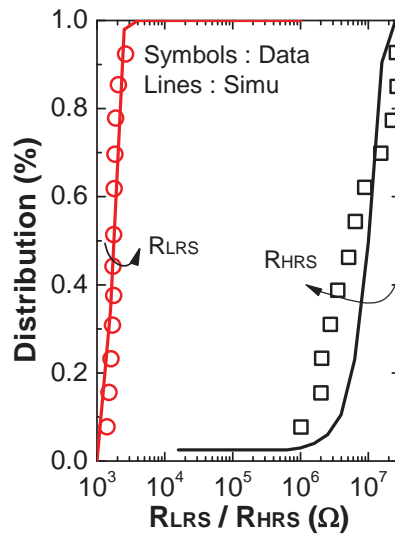
82 Figure 8 presents the elementary array used for simulation: it is constituted, a row decoder, a column
 83 decoder and a sense amplifier for the read operation. Memory array cells are first placed in an erase state.
 84 Then, the memory array programming is done in 2 cycles. First, all memory cells are set (logical '1'),
 85 then the memory array is reset (logical '0'). Logical failures can be detected at the output of the sense
 86 amplifier during the read operation after *set/reset*.

Figure 8. 3 × 3 OxRAM memory array.



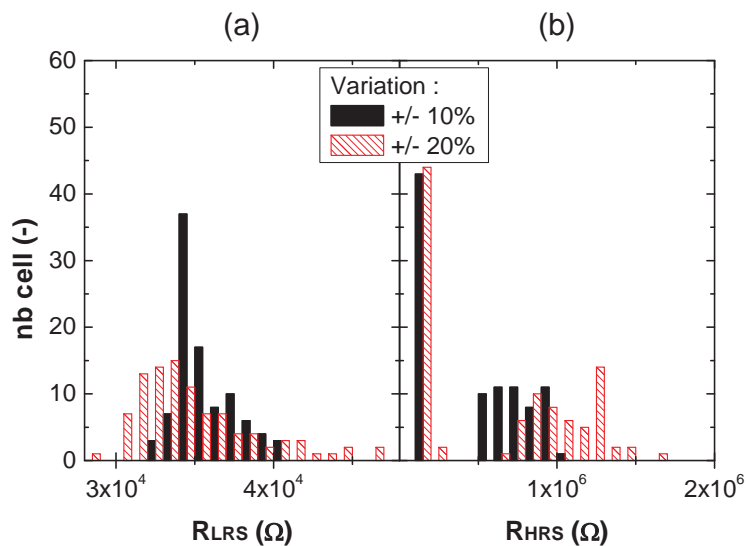
87 The best way to monitor the impact of variability on OxRAM electrical parameters is to plot the
 88 OxRAM hysteresis in transient mode (i.e. cell current evolution versus cell voltage difference during a
 89 Write/Erase cycle). Figure 9 shows the impact of the memory array cell variability (9 cells) on the circuit
 90 hysteresis.

Figure 9. Variability impact on $I - V$ hysteresis the memory array



91 It appears clearly that R_{LRS} distribution can be severely impacted by cell variability. V_{Reset} and V_{Set}
 92 parameters can also suffer from cell variability but in a lesser extent. Notice that R_{LRS} and R_{HRS} are
 93 extracted @0.5V (read conditions). And V_{Set} and V_{Reset} are extracted @40 μ A, at a circuit level.
 94 R_{LRS} and R_{HRS} distributions are plotted in Figure 10. Results are presented for cell variability included
 95 in the range $\pm 10\%$ of the median value of the considered card model parameters (solid bar). Results are
 96 also provided for cell variability included in the range $\pm 20\%$ (dashed bar).

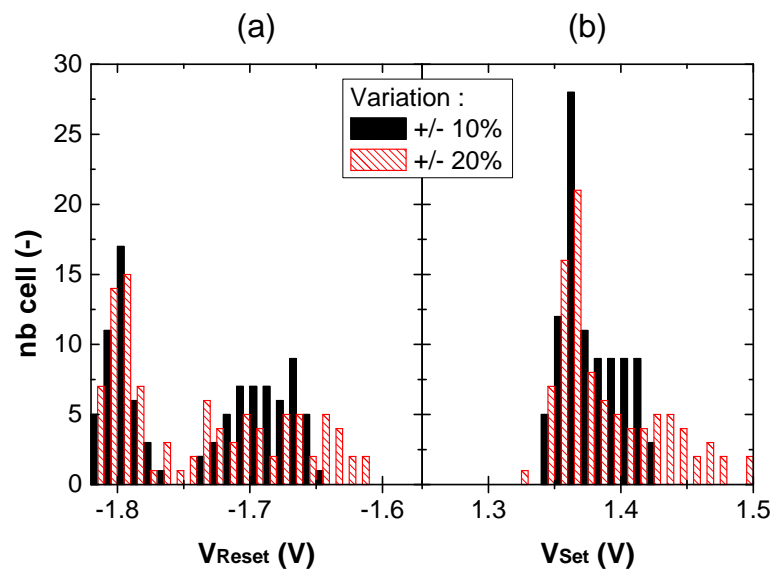
Figure 10. R_{LRS} and R_{HRS} distributions versus cell variability



97 At 10%, a spreading of R_{LRS} and R_{HRS} parameters is observed. The spreading increases significantly
 98 at 20%. Although these values are related to a specific OxRAM technology, a good feedback can be
 99 provided to designers to optimize the sensing circuitry according to the level of controllability of the
 100 fabrication process.

101 V_{Reset} and V_{Set} distributions are plotted in Figure 11a-b. Here again, the initial spreading (solid bar)
 102 increases (dashed bar) according to the variability increase. These results are of the prime importance as
 103 this study predicts an increase of V_{Set} to the value of 1.5 V. Which mean that the programming signals
 104 provided to the cell needs to reach at least 1.5 V for cell to be programmed properly.

Figure 11. V_{Set} and V_{Reset} distributions versus cell variability

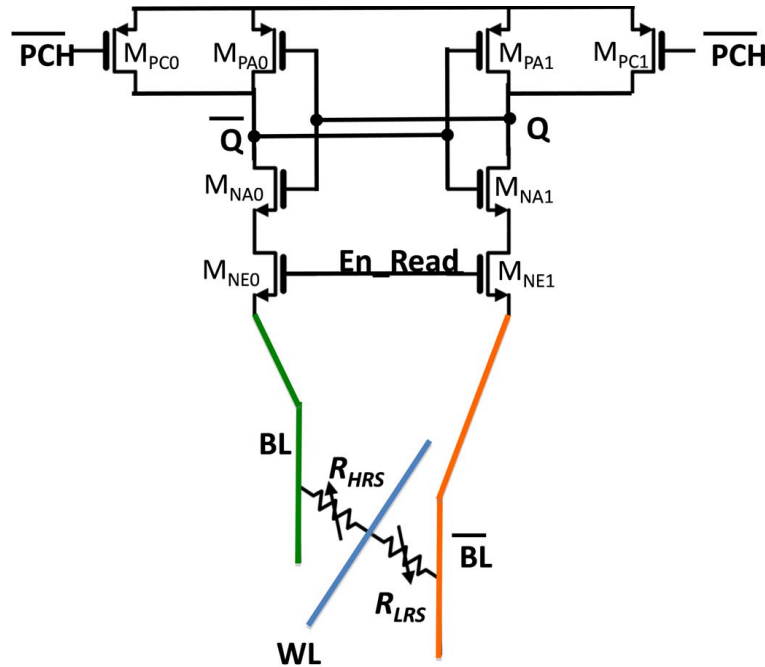


105 **4.2. SRAM Sense amplifier [26]**

106 The read operation of data stored in cross-point resistive switching memory is currently one of the
 107 major challenges to develop this approach. Indeed, sneak path or destructive read with complementary
 108 resistive switching element are a strong limit to develop this type of architecture. Moreover, the
 109 resistance ratio (R_{HRS}/R_{LRS}) and the process variations have to be considered when designing a sense
 110 solution. A sense amplifier performing with high reliability is then required. Figure 12 shows a
 111 pre-charge based sense amplifier, which has demonstrated the best tolerance to different sources of
 112 variation, while keeping high speed and low power. In this sense amplifier, the read operation is
 113 performed in two phases:

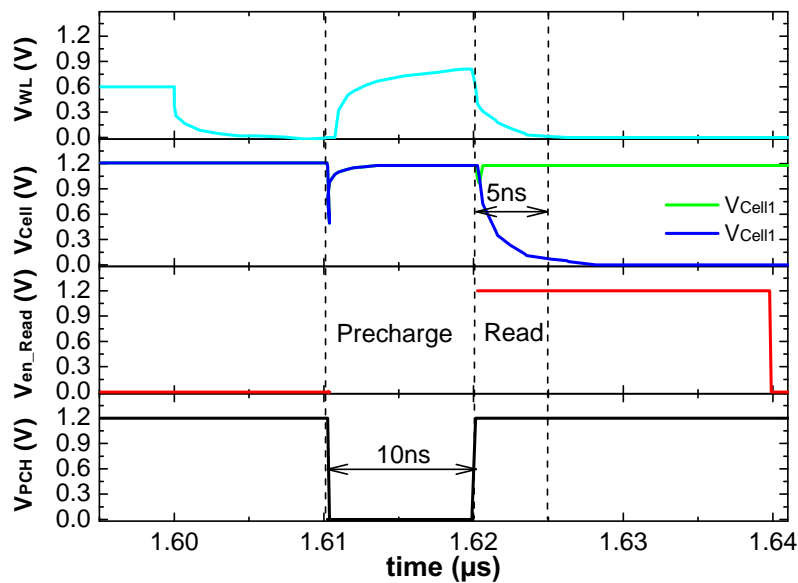
- 114 • 1st Phase: The sense amplifier is first connected to the bit-line of the selected word with SEN set
 115 to '1' and the circuit is pre-charged with PCH equals '0'.
- 116 • 2nd Phase: The data stored in the 2R cell can be evaluated to logic level at the output Q as PCH is
 117 changed to '1' and WL is pulled down to '0'.

Figure 12. Pre-Charged Sense Amplifier for data sensing. It consists of a pre-charge sub-circuit (MPC0, MPC1), a pair of inverters (MNA0-1, MPA0-1), which act as an amplifier.[26, 27]



118 The Figure 13 validates the ability of the architecture to successfully read in parallel a full word.
 119 The model presented before has allowed us to assess the robustness of sense towards the variability
 120 of OxRAM or CMOS transistors [26]; and the validated complete crossbar architecture based on 2R
 121 complementary [27].

Figure 13. Simulation results with read phase of a selected cell [26,27]



122 5. Conclusion

123 In conclusion, this paper deals with a compact model well suited for describing simultaneously *set*
124 and *reset* operations in bipolar resistive switching memories based on HfO₂-based memory device. By
125 gathering local electrochemical reactions and a thermal mechanism in a single master equation, the
126 model enables accounting for both creation and destruction of conductive filaments. The simulation
127 results satisfactorily match quasi-static and dynamic experimental data published in literature on resistive
128 switching devices. Beside, the model was implemented into circuit simulators. It has been successfully
129 used in many circuit and enabled predicting relevant trends required for designing innovative memory
130 matrix architectures or proposing distributed memories solutions.

131 References

- 132 1. Hong, S. Memory technology trend and future challenges. Proc. IEEE International Electron
133 Devices Meeting, 2010, pp. 292–295.
- 134 2. Govoreanu, B.; Kar, G.S.; Chen, Y.Y.; Paraschiv, V.; Kubicek, S.; Fantini, A.; Radu, I.P.;
135 Goux, L.; Clima, S.; Degraeve, R.; Jossart, N.; Richard, O.; Vandeweyer, T.; Seo, K.;
136 Hendrickx, P.; Pourtois, G.; Bender, H.; Altimime, L.; Wouters, D.J.; Kittl, J.A.; Jurczak,
137 M. 10x10nm² Hf/HfO_x crossbar resistive RAM with excellent performance, reliability and
138 low-energy operation. Proc. IEEE International Electron Devices Meeting, 2011, pp. 729–732.
- 139 3. Higuchi, K.; Iwasaki, T.O.; Takeuchi, K. Investigation of Verify-Programming Methods to
140 Achieve 10 Million Cycles for 50nm HfO₂ ReRAM. Proc. IEEE International Memory
141 Workshop, 2012, pp. 119–122.
- 142 4. Kund, M.; Beitel, G.; Pinnow, C.U.; Rohr, T.; Schumann, J.; Symanczyk, R.; Ufert, K.D.; Muller,
143 G. Conductive bridging RAM (CBRAM): an emerging non-volatile memory technology scalable
144 to sub 20nm. Proc. IEEE International Electron Devices Meeting, 2005, pp. 754–757.
- 145 5. Lee, H.Y.; Chen, P.S.; Wu, T.Y.; Chen, Y.S.; Wang, C.C.; Tzeng, P.J.; Lin, C.H.; Chen, F.; Lien,
146 C.H.; Tsai, M.J. Low power and high speed bipolar switching with a thin reactive Ti buffer layer
147 in robust HfO₂ based RRAM. Proc. IEEE International Electron Devices Meeting, 2008, pp.
148 1–4.
- 149 6. Baek, I.G.; Lee, M.S.J.; Seo, S.; Seo, D.H.; Suh, D.S.; Park, J.C.; Park, S.O.; Kim, H.S.; Yoo,
150 I.K.; Chung, U.I.; Moon, J.T. Highly scalable nonvolatile resistive memory using simple binary
151 oxide driven by asymmetric unipolar voltage pulses. Proc. IEEE International Electron Devices
152 Meeting, 2004, pp. 587–590.
- 153 7. Waser, R.; Aono, M. Nanoionics-based resistive switching memories. *Nature Materials* **2007**,
154 *6*, 833–40.
- 155 8. Seo, S.; Lee, M.J.; Seo, D.H.; Jeoung, E.J.; Suh, D.S.; Joung, Y.S.; Yoo, I.K.; Hwang, I.R.;
156 Kim, S.H.; Byun, I.S.; Kim, J.S.; Choi, J.S.; Park, B.H. Reproducible resistance switching in
157 polycrystalline NiO films. *Applied Physics Letters* **2004**, *85*, 5655–5657.
- 158 9. Kim, W.G.; Sung, M.G.; Kim, S.J.; Kim, J.Y.; Moon, J.W.; Yoon, S.J.; Kim, J.N.; Gyun, B.G.;
159 Kim, T.W.; Kim, C.H.; Byun, J.Y.; Kim, W.; Youn, T.O.; Yoo, J.H.; Oh, J.W.; Kim, H.J.; Joo,
160 M.S.; Roh, J.S.; Park, S.K. Dependence of the switching characteristics of resistance random

- 161 access memory on the type of transition metal oxide. Proc. IEEE European Solid State Device
162 Research Conference, 2010, pp. 400–403.
- 163 10. Fang, T.N.; Kaza, S.; Haddad, S.; Chen, A.; Wu, Y.C.; Lan, Z.; Avanzino, S.; Liao, D.; Gopalan,
164 C.; Choi, S.; Mahdavi, S.; Buynoski, M.; Lin, Y.; Marrian, C.; Bill, C.; VanBuskirk, M.; Taguchi,
165 M. Erase mechanism for copper oxide resistive switching memory cells with nickel electrode.
166 Proc. IEEE International Electron Devices Meeting, 2006, pp. 1–4.
- 167 11. Nardi, F.; Larentis, S.; Balatti, S.; Gilmer, D.C.; Ielmini, D. Resistive switching by voltage-driven
168 ion migration in bipolar RRAM part I : experimental study. *IEEE Transactions on Electron*
169 *Devices* **2012**, *59*, 2461–2467.
- 170 12. Fang, Z.; Yu, H.Y.; Singh, N.; Lo, G.Q.; Kwong, D.L. HfO_x/TiO_x/HfO_x/TiO_x Multilayer-Based
171 With Excellent Uniformity. *IEEE Electron Device Letters* **2011**, *32*, 566–568.
- 172 13. Kim, W.; Park, S.I.; Zhang, Z.; Yang-liauw, Y.; Sekar, D.; Wong, H.P.; Wong, S.S. Forming-Free
173 Nitrogen-Doped AlO_x RRAM with Sub- μ A Programming Current. *VLSI* **2011**, *31*, 2010–2011.
- 174 14. Gao, B.; Yu, S.; Xu, N.; Liu, L.F.; Sun, B.; Liu, X.Y.; Han, R.Q.; Kang, J.F.; Yu, B.; Wang, Y.Y.
175 Oxide-based RRAM switching mechanism: a new ion-transport-recombination model. Proc.
176 IEEE International Electron Devices Meeting, 2008, pp. 1–4.
- 177 15. Bocquet, M.; Deleruyelle, D.; Muller, C.; Portal, J.M. Self-consistent physical modeling of
178 set/reset operations in unipolar resistive-switching memories. *Applied Physics Letters* **2011**,
179 *98*, 263507 (1–3).
- 180 16. Aziza, H.; Bocquet, M.; Portal, J.M.; Muller, C. Evaluation of OxRAM cell variability impact
181 on memory performances through electrical simulations. Non-Volatile Memory Technology
182 Symposium (NVMTS), 2011 11th Annual, 2011, pp. 1–5.
- 183 17. Aziza, H.; Bocquet, M.; Portal, J.M.; Muller, C. Bipolar OxRRAM memory array reliability
184 evaluation based on fault injection. 2011 IEEE 6th International Design and Test Workshop
185 (IDT). IEEE, 2011, pp. 78–81.
- 186 18. Bard, A.J.; Faulkner, L.R. *Electrochemical methods: fundamentals and applications*; 2001.
- 187 19. Akinaga, H.; Shima, H. Resistive Random Access Memory (ReRAM) based on metal oxides.
188 *Proc. IEEE* **2010**, *98*, 2237–2251.
- 189 20. Wong, H.S.P.; Lee, H.Y.; Yu, S.; Chen, Y.S.; Wu, Y.; Chen, P.S.; Lee, B.; Chen, F.T.; Tsai, M.J.
190 Metal-oxide RRAM. *Proc. IEEE* **2012**, *100*, 1951–1970.
- 191 21. Cagli, C.; Buckley, J.; Jousseau, V.; Cabout, T.; Salaun, A.; Grampeix, H.; Nodin, J.F.; Feldis,
192 H.; Persico, A.; Cluzel, J.; Lorenzi, P.; Massari, L.; Rao, R.; Irrera, F.; Aussenac, F.; Carabasse,
193 C.; Coue, M.; Calka, P.; Martinez, E.; Perniola, L.; Blaise, P.; Fang, Z.; Yu, Y.H.; Ghibaud,
194 G.; Deleruyelle, D.; Bocquet, M.; Muller, C.; Padovani, A.; Pirrotta, O.; Vandelli, L.; Larcher,
195 L.; Reimbold, G.; de Salvo, B. Experimental and theoretical study of electrode effects in HfO₂
196 based RRAM. 2011 International Electron Devices Meeting. IEEE, 2011, pp. 28.7.1–28.7.4.
- 197 22. Nardi, F.; Ielmini, D.; Cagli, C.; Spiga, S.; Fanciulli, M.; Goux, L.; Wouters, D.J. Control of
198 filament size and reduction of reset current below 10 μ A in NiO resistance switching memories.
199 *Solid-State Electronics* **2011**, *58*, 42–47.

- 200 23. Kinoshita, K.; Tsunoda, K.; Sato, Y.; Noshiro, H.; Yagaki, S.; Aoki, M.; Sugiyama, Y. Reduction
201 in the reset current in a resistive random access memory consisting of NiOx brought about by
202 reducing a parasitic capacitance. *Applied Physics Letters* **2008**, *93*, 33506 (1–3).
- 203 24. Tsunoda, K.; Kinoshita, K.; Noshiro, H.; Yamazaki, Y.; Iizuka, T.; Ito, Y.; Takahashi, A.; Okano,
204 A.; Sato, Y.; Fukano, T.; Aoki, M.; Sugiyama, Y.; Jizuka, T. Low power and high speed
205 switching of Ti-doped NiO ReRAM under the unipolar voltage source of less than 3V. Proc.
206 IEEE International Electron Devices Meeting, 2007, pp. 767–770.
- 207 25. Portal, J.M.; Bocquet, M.; Deleruyelle, D.; Muller, C. Non-Volatile Flip-Flop Based on Unipolar
208 ReRAM for Power-Down Applications. *Journal of Low Power Electronics* **2012**, *8*, 1–10.
- 209 26. Hraziaa.; Makosiej, A.; Palma, G.; Portal, J.M.; Bocquet, M.; Thomas, O.; Clermidy, F.;
210 Reyboz, M.; Onkaraiah, S.; Muller, C.; Deleruyelle, D.; Vladimirescu, A.; Amara, A.; Anghel,
211 C. Operation and stability analysis of bipolar OxRRAM-based Non-Volatile 8T2R SRAM as
212 solution for information back-up. *Solid-State Electronics* **2013**.
- 213 27. Zhao, W.S.; Zhang, Y.; Klein, J.O.; Querlioz, D.; Chabi, D.; Ravelosona, D.; Chappert, C.; Portal,
214 J.M.; Bocquet, M.; Aziza, H.; Deleruyelle, D.; Muller, C. Crossbar Architecture Based on 2R
215 Complementary Resistive Switching Memory Cell. Proc. of ACM/IEEE Nanoarch, 2012.

216 © 2013 by the authors; licensee MDPI, Basel, Switzerland. This article is an open access article
217 distributed under the terms and conditions of the Creative Commons Attribution license
218 (<http://creativecommons.org/licenses/by/3.0/>).