



HAL
open science

Differentiation and regularity of semi-discrete optimal transport with respect to the parameters of the discrete measure

Frédéric de Gournay, Jonas Kahn, Léo Lebrat

► **To cite this version:**

Frédéric de Gournay, Jonas Kahn, Léo Lebrat. Differentiation and regularity of semi-discrete optimal transport with respect to the parameters of the discrete measure. *Numerische Mathematik*, 2019, 141 (2), pp.429-453. hal-01721681v2

HAL Id: hal-01721681

<https://hal.science/hal-01721681v2>

Submitted on 25 Sep 2018

HAL is a multi-disciplinary open access archive for the deposit and dissemination of scientific research documents, whether they are published or not. The documents may come from teaching and research institutions in France or abroad, or from public or private research centers.

L'archive ouverte pluridisciplinaire **HAL**, est destinée au dépôt et à la diffusion de documents scientifiques de niveau recherche, publiés ou non, émanant des établissements d'enseignement et de recherche français ou étrangers, des laboratoires publics ou privés.

Differentiation and regularity of semi-discrete optimal transport with respect to the parameters of the discrete measure

Frédéric de Gournay Jonas Kahn Léo Lebrat

September 25, 2018

Abstract

This paper aims at determining under which conditions the semi-discrete optimal transport is twice differentiable with respect to the parameters of the discrete measure and exhibits numerical applications. The discussion focuses on minimal conditions on the background measure to ensure differentiability. We provide numerical illustrations in stippling and blue noise problems.

1 Introduction

Optimal transport [26, 18] is a blossoming subject that has known major breakthroughs these last decades. Its applications range from finance [27], mesh generation [11], PDE analysis [17] and imaging [28, 32] to machine learning and clustering [30, 12].

This paper is limited to the semi-discrete case, which consists in transporting discrete measures (Dirac masses) towards a background measure. However we allow more general background measures than the densities with respect to the Lebesgue measure that are usually found in the literature. In this setting, we prove second order differentiability of the optimal transport distance for an arbitrary cost with respect to the locations of the Dirac masses.

Precursors include De Goes [8] (Proposition 2.5.4) who has given the formula of the Hessian in the Euclidean setting. However he has given no proof of existence. We will make use of the framework developed by Kitagawa *et al.* [19] to overcome these restrictions.

As a by-product, we obtain the second order differentiability conditions for the so-called energy of a Voronoi diagram. The latter remark generalizes results presented in [9, 22] to higher dimensions and lower regularity of the background measure.

1.1 Semi-discrete optimal transport

The optimal transport [31] between two probability measures μ and ν defined respectively on the spaces X and Y with cost $c : Y \times X \rightarrow \mathbb{R}^+$ is the

minimization problem :

$$\min_{\gamma \in \Pi(\nu, \mu)} \int_{Y \times X} c(y, x) d\gamma(y, x), \quad (1)$$

where $\Pi(\nu, \mu)$ is the set of positive measures on $Y \times X$ with marginal distributions on Y (resp. X) equal to ν (resp. μ), that is :

$$\gamma \in \Pi(\nu, \mu) \Leftrightarrow \begin{cases} \int_Y \phi(y) d\mu(y) = \int_{Y \times X} \phi(y) d\gamma(y, x) & \forall \phi \in L^1(\mu) \\ \text{and} \\ \int_X \psi(x) d\nu(x) = \int_{Y \times X} \psi(x) d\gamma(y, x) & \forall \psi \in L^1(\nu) \end{cases}.$$

Intuitively, a coupling γ may be seen as a way to transport the mass of μ to the mass of ν . Specifically $\gamma(B, A)$ is the mass moved from A to B .

Interpreting ϕ and ψ as Lagrange multipliers of the constraint $\Pi(\mu, \nu)$ and using a standard inf-sup inversion (see [31] for details), one derives the Kantorovitch dual problem:

$$\sup_{\phi(y) + \psi(x) \leq c(y, x)} \int_Y \phi(y) d\mu(y) + \int_X \psi(x) d\nu(x).$$

When ϕ is given, it can be explicitly solved in ψ and the problem turns into

$$\sup_{\phi} g(\phi) \quad \text{with} \quad g(\phi) = \int_Y \phi(y) d\mu(y) + \int_X \inf_{y \in Y} (c(y, x) - \phi(y)) d\nu(x), \quad (2)$$

where the function g , as a dual function, is naturally concave.

Recall that a Lipschitz set is a set for which the boundary is, up to a partition and rotations, the graph of a Lipschitz function. Suppose that the support of ν is included in a bounded convex Lipschitz set $\Omega \subset \mathbb{R}^d$, and that μ is a discrete measure on \mathbb{R}^d , that is, given $n \in \mathbb{N}$, there exists $z = (z^i)_{i=1..n}$ with $z^i \in \mathbb{R}^d$ and $m = (m^i)_{i=1..n} \in \mathbb{R}^n$ such that

$$\mu = \sum_{i=1}^n m^i \delta_{z^i},$$

where δ_{z^i} is a Dirac measure located at z^i . In this case the set of test functions ϕ can be identified to \mathbb{R}^n , so that $\phi = (\phi^i)_{i=1..n} \in \mathbb{R}^n$. Finally introducing the Laguerre tessellation [3] defined by its cells

$$\mathcal{L}_i(z, \phi) = \{x \in \Omega \text{ such that } c(z^i, x) - \phi^i \leq c(z^j, x) - \phi^j \quad \forall j \in \llbracket 1, n \rrbracket\}, \quad (3)$$

so that the final formulation of the optimal transport problem (1) in the semi-discrete setting is

$$\sup_{\phi} g(\phi, z, m) \quad \text{with} \\ g(\phi, z, m) = \sum_{i=1}^n \int_{\mathcal{L}_i(z, \phi)} (c(z^i, x) - \phi^i) \frac{1}{\#\mathcal{M}^{-1}(\{x\})} d\nu(x) + \sum_{i=1}^n \phi^i m^i, \quad (4)$$

where $\#\mathcal{M}^{-1}(\{x\})$ is defined in Section 2.1 as the counting factor of the number of Laguerre cells containing x .

The Laguerre cells $\mathcal{L}_i(z, \phi_{opt})$ associated to an optimal ϕ_{opt} in the maximization (4) are the “arrival” zones of the mass located at each z^i by a coupling γ of optimal transportation, namely :

$$\begin{aligned} \gamma(z^i, A) &= \nu(A) & \forall A \subset \mathring{\mathcal{L}}_i(z, \phi_{opt}), \\ \gamma(z^i, B) &= 0 & \text{if } B \cap \mathcal{L}_i(z, \phi_{opt}) = \emptyset. \end{aligned}$$

We aim at studying the differentiation properties up to the second order of $g(\phi, z, m)$ with respect to its parameters. The differentiation with respect to m is rather straightforward and will not be discussed hereafter. The second order differentiability of g with respect to ϕ is known [24, 7, 20] and proved in [19]. This proof mainly uses that the Laguerre cells $\mathcal{L}_i(z, \phi)$ are the intersection for all $j \neq i$ of the sub-level sets (with respect to the value of $\phi^i - \phi^j$) of the function $x \mapsto c(z^i, x) - c(z^j, x)$. Using the co-area formula, the authors are able to compute the differential of g with respect to ϕ . Differentiating with respect to z is more involved and is the main goal of the present paper. Note also that the authors of [19] prove $C^{2,\alpha}$ regularity with respect to ϕ , whereas we only deal with second order derivatives. Hence our set of hypotheses is slightly different.

Proposition 1.1 provides an easier version of the main theorem by restricting to the Euclidean case. Readers only interested in the standard L^2 transportation distance might want to skip directly to Proposition 1.1.

1.2 Link with Voronoi diagrams

The Voronoi diagram $\{\mathcal{V}_i(z)\}_i$ is the special case of the Laguerre tessellation when $\phi = 0$ and the cost is the square Euclidean distance, as can be seen from definition (3),

$$\mathcal{V}_i(z) = \mathcal{L}_i(z, 0) = \{x \in \Omega \text{ such that } \|z^i - x\|_2^2 \leq \|z^j - x\|_2^2 \quad \forall j \in \llbracket 1, n \rrbracket\}.$$

Moreover, as noticed by Aurenhammer *et al.* [4], for any choice of Lagrange multipliers ϕ , the vector of masses $m^i = \nu(\mathcal{L}_i(z, \phi))$ turns ϕ into a solution of (4). In particular, the Voronoi diagram is the Laguerre tessellation of the optimal transport problem associated to the choice of mass $\tilde{m}^i := \nu(\mathcal{V}_i(z))$. Now recall that ϕ is a Lagrange multiplier for the mass constraint in (1), so that setting $\phi = 0$ releases this constraint and the corresponding choice of \tilde{m} minimizes the optimal transportation cost:

$$\begin{aligned} g(0, z, \tilde{m}) &= \sup_{\phi} g(\phi, z, \tilde{m}) \\ &= \inf_m \sup_{\phi} g(\phi, z, m). \end{aligned} \tag{5}$$

Another more physical interpretation of (5) is that, without mass constraints, the best way to transport a measure ν to a finite number of points is to send each part of ν to its closest neighbour. Hence we build the Voronoi diagram of the points.

The expression (5) has been coined as the energy of the Voronoi diagram:

$$G_S(z) = g(0, z, \tilde{m}) = \sum_i \int_{\mathcal{V}_i(z)} \|x - z^i\|^2 d\nu(x) \tag{6}$$

Finding critical points of this energy G_S is also known as the centroidal Voronoi tessellation (CVT) problem. Indeed, at a critical point \bar{z} of G_S , each \bar{z}^i is the barycenter of $\mathcal{V}_i(\bar{z})$ with respect to the measure ν :

$$\bar{z}^i \int_{\mathcal{V}_i(\bar{z})} d\nu(x) = \int_{\mathcal{V}_i(\bar{z})} x d\nu(x).$$

Results of second order differentiability of G_S with respect to z has been proven in [22] and inferred in many different previous papers [16, 2, 10]. However those papers do not tackle the question of the regularity of ν . Moreover the cost c in the Voronoi setting is the square of the Euclidean distance. Our work is a generalization of both of this points. Indeed differentiability of G_S stems from differentiability of g , see equations (17) and (19).

1.3 Organization of the paper

In Section 2, the main result is given. The hypotheses needed to ensure second order differentiability are given in 2.1, the result is stated in Section 2.2, Theorem 1 and is reformulated in the Euclidean case in Section 2.3. The rest of Section 2 is devoted to the proof of Theorem 1. Section 3 presents some numerical results.

2 Second order differentiability

The main goal of this section is to state, in Theorem 1, the sufficient conditions that ensure differentiability of second order of the function

$$\tilde{g}(\phi, z) = \int_{\Omega} \min_i (c(z^i, x) - \phi^i) d\nu(x),$$

which yields immediately the second order derivatives of $g = \tilde{g} + \phi \cdot m$ defined in (4).

2.1 Hypotheses and notation

In order to state the hypotheses required for Theorem 1, additional notation is required.

For all $x \in \Omega$, denote $\mathcal{M}(x)$ the subset of $\llbracket 1, n \rrbracket$ given by

$$\mathcal{M}(x) = \left\{ i \in \llbracket 1, n \rrbracket \text{ s.t. } c(z^i, x) - \phi^i \leq c(z^j, x) - \phi^j \quad \forall j \in \llbracket 1, n \rrbracket \right\}. \quad (7)$$

The Laguerre cell $\mathcal{L}_i(z, \phi)$ is then exactly given by

$$x \in \mathcal{L}_i(z, \phi) \Leftrightarrow i \in \mathcal{M}(x).$$

For $i \neq k \in \llbracket 1, n \rrbracket$, denote

$$e^{ik} := \{x \in \mathbb{R}^d \text{ s.t. } c(z^i, x) - \phi^i = c(z^k, x) - \phi^k\}. \quad (8)$$

Note that $\mathcal{L}_i(z, \phi) \cap \mathcal{L}_k(z, \phi)$ is included in e^{ik} but the converse fails to be true. First notice that e^{ik} is not included in Ω whereas the Laguerre cells are included in Ω by definition. Second e^{ik} is only the ‘‘competition zone’’

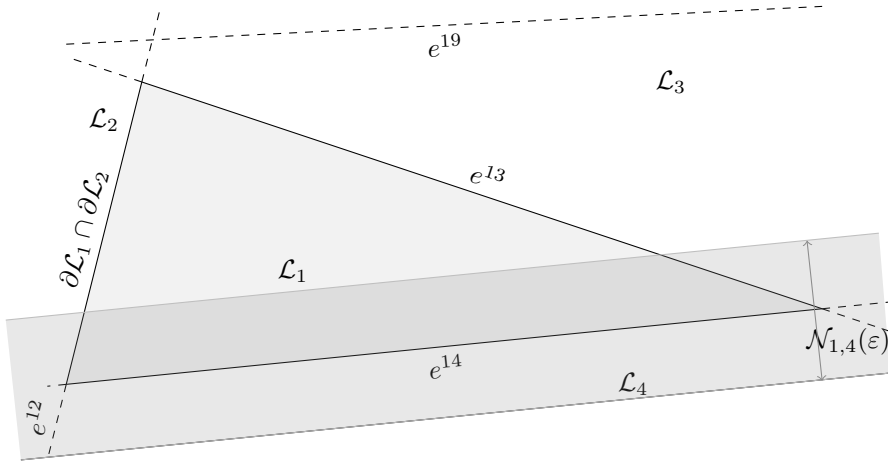


Figure 1: Typical example of e^{ik} and the neighborhoods $\mathcal{N}_{ik}(\varepsilon)$ for $i = 1$.

between the i^{th} and the k^{th} Laguerre cells but it may (and will) happen that $x \in e^{ik}$ is included in $\mathcal{L}_j(z, \phi)$ for some other j and in neither $\mathcal{L}_i(z, \phi)$ nor $\mathcal{L}_k(z, \phi)$. Note also that the dependence of both e^{ik} and $\mathcal{M}(x)$ in (z, ϕ) is dropped to shorten the notation.

For all i and k , we denote the ε -neighborhood of e^{ik} by $\mathcal{N}_{ik}(\varepsilon)$. By convention, e^{i0} is the boundary of Ω and thus $\mathcal{N}_{i0}(\varepsilon)$ is an ε -neighborhood of $\partial\Omega$. Figure 1 illustrates these geometric objects.

In the following definitions σ denotes the $d - 1$ -Hausdorff measure. The sufficient geometric hypotheses on the Laguerre tessellation for second order differentiability are :

Definition 1 (Diff-2) We say that hypothesis (Diff-2) holds at point (z_0, ϕ_0) iff

- for all $1 \leq i \leq n$, $(z, x) \mapsto c(z^i, x)$ is $W^{2,\infty}(B(z_0, r) \times \Omega)$, where $B(z_0, r)$ is a ball around the point z_0 .
- there exists $\varepsilon > 0$ such that for all $1 \leq k \neq i \leq n$, $\forall x \in e^{ik}$

$$\|\nabla_x c(z_0^i, x) - \nabla_x c(z_0^k, x)\| \geq \varepsilon, \quad (\text{Diff-2-a})$$

- for all i , there exists $s, C > 0$ such that for all $0 \leq k \neq j \leq n$, for all $\varepsilon, \varepsilon'$ in $]0, s[$, it holds

$$|\mathcal{N}_{ik}(\varepsilon) \cap \mathcal{N}_{ij}(\varepsilon')| \leq C\varepsilon\varepsilon'. \quad (\text{Diff-2-b})$$

and

$$\lim_{\varepsilon \rightarrow 0} \sigma(e^{ik} \cap \mathcal{N}_{ij}(\varepsilon)) = 0, \quad (\text{Diff-2-c})$$

In the above definition, all the geometric objects $e^{ik}, \mathcal{N}_{ik}(\varepsilon), \mathcal{N}_{ij}(\varepsilon)$ are defined with parameters $(z, \phi) = (z_0, \phi_0)$.

The geometric hypothesis for continuity of second order derivatives is

Definition 2 (Cont-2) We say that hypothesis (Cont-2) holds at point (z_0, ϕ_0) iff there exists $C > 0$ such that for all i, j

$$\sigma(e^{ij} \cap \Omega) \leq C, \quad (\text{Cont-2})$$

where e^{ij} is defined in (8) with parameters $(z, \phi) = (z_0, \phi_0)$.

Remark : At some point, we closely follow the ideas of [19]. Our hypotheses (Diff-2) and (Cont-2) are a consequence of more general geometric hypotheses in [19], in particular Loeper's condition. Using Loeper's condition requires an exponential mapping to reduce the problem to a convex one. Hence the proofs of this paper would be even more technical and hard to read.

2.2 Main result

Directional derivative of \tilde{g} can be obtained using very mild assumptions on the cost function c and the approximated measure ν .

Proposition 0.1 Set Ω a bounded Lipschitz convex set and z_0 a vector of positions of Dirac masses. Suppose that for all i and for ν -almost every x , the function $y \mapsto c(y, x)$ is differentiable around $y = z_0^i$ and that there exists $h \in L^1(\Omega, \nu)$ with $|\nabla_y c(z^i, x)| \leq h(x)$ ν -a.e. for all z around z_0 . Then \tilde{g} is directionally derivable at point (ϕ_0, z_0) with derivative given by :

$$\begin{aligned} & \lim_{t \rightarrow 0^+} \frac{\tilde{g}((\phi_0 + td_\phi, z_0 + td_z)) - \tilde{g}(\phi_0, z_0)}{t} \\ &= \sum_{A \subset \llbracket 1, n \rrbracket} \int_{\mathcal{M}^{-1}(A)} \min_{i \in A} \left(\langle \nabla_y c(z_0^i, x), d_z^i \rangle - d_\phi^i \right) d\nu(x), \end{aligned}$$

where \mathcal{M} is defined in (7) with parameters $(z, \phi) = (z_0, \phi_0)$. If $\nu(\mathcal{M}^{-1}(A)) = 0$ for each A of cardinal ≥ 2 , it holds that \tilde{g} is differentiable and

$$\partial_z \tilde{g}(\phi_0, z_0) = \sum_{i=1}^n \int_{\mathcal{L}_i(z_0, \phi_0)} \nabla_y c(z_0^i, x) d\nu(x) \quad \text{and} \quad \frac{\partial \tilde{g}}{\partial \phi^i}(\phi_0, z_0) = -\nu(\mathcal{L}_i(z_0, \phi_0))$$

If in addition for ν -almost every x , the function $y \mapsto \nabla_y c(y, x)$ is continuous around z_0^i for all i , then \tilde{g} is C^1 around (ϕ_0, z_0) .

The theorem ensuring second order differentiability is:

Theorem 1 If the hypotheses of Proposition 0.1 and (Diff-2) hold at point (ϕ_0, z_0) , and if ν admits a density with respect to the Lebesgue measure which is $W^{1,1}(\Omega) \cap L^\infty(\Omega)$ then \tilde{g} is twice differentiable at point (ϕ_0, z_0) . Let σ denote the $d-1$ Hausdorff measure, m be the density of ν , and $k \neq l$ be in $\llbracket 1, n \rrbracket$, the formula for the Hessian at point (ϕ_0, z_0) is given by :

$$\begin{aligned}
\frac{\partial^2 \tilde{g}}{\partial \phi^k \partial \phi^l} &= \int_{\partial \mathcal{L}_k \cap \partial \mathcal{L}_l} \frac{1}{\|\nabla_x c(z_0^k, x) - \nabla_x c(z_0^l, x)\|} m(x) d\sigma \\
\frac{\partial^2 \tilde{g}}{(\partial \phi^k)^2} &= \sum_{j \neq k} \int_{\partial \mathcal{L}_k \cap \partial \mathcal{L}_j} \frac{-1}{\|\nabla_x c(z_0^k, x) - \nabla_x c(z_0^j, x)\|} m(x) d\sigma \\
\frac{\partial^2 \tilde{g}}{\partial \phi^k \partial z^l} &= \int_{\partial \mathcal{L}_k \cap \partial \mathcal{L}_l} \frac{-\nabla_y c(z_0^l, x)}{\|\nabla_x c(z_0^k, x) - \nabla_x c(z_0^l, x)\|} m(x) d\sigma \\
\frac{\partial^2 \tilde{g}}{\partial \phi^k \partial z^k} &= \sum_{j \neq k} \int_{\partial \mathcal{L}_k \cap \partial \mathcal{L}_j} \frac{\nabla_y c(z_0^k, x)}{\|\nabla_x c(z_0^k, x) - \nabla_x c(z_0^j, x)\|} m(x) d\sigma \\
\frac{\partial^2 \tilde{g}}{\partial z^k \partial z^l} &= \int_{\partial \mathcal{L}_k \cap \partial \mathcal{L}_l} \frac{\nabla_y c(z_0^k, x) \otimes \nabla_y c(z_0^l, x)}{\|\nabla_x c(z_0^k, x) - \nabla_x c(z_0^l, x)\|} m(x) d\sigma \\
\frac{\partial^2 \tilde{g}}{(\partial z^k)^2} &= \int_{\mathcal{L}_k} \frac{\partial^2 c}{\partial y^2}(z_0^k, x) d\nu(x) - \sum_{j \neq k} \int_{\partial \mathcal{L}_k \cap \partial \mathcal{L}_j} \frac{\nabla_y c(z_0^k, x) \otimes \nabla_y c(z_0^j, x)}{\|\nabla_x c(z_0^k, x) - \nabla_x c(z_0^j, x)\|} m(x) d\sigma
\end{aligned}$$

Note that the Laguerre cells in consideration are computed for parameters $(z, \phi) = (z_0, \phi_0)$ and that for each $j \in \llbracket 1, n \rrbracket$, z^j is a vector in \mathbb{R}^d . As a consequence, differentiating \tilde{g} once with respect to z^j yields a vector in \mathbb{R}^d and differentiating \tilde{g} twice with respect to z^j yields a matrix. Recall that the derivatives in y of c refer to derivatives in the first variable. If in addition (Cont-2) holds at point (ϕ_0, z_0) and if the density m is $C^0(\Omega)$ then \tilde{g} is C^2 .

2.3 The Euclidean case

This section deals specially with the Euclidean case $c(z^i, x) = \frac{1}{2} \|z^i - x\|_2^2$. Then we have

Proposition 1.1 *If $c(y, x) = \frac{1}{2} \|y - x\|_2^2$, all the hypotheses of Theorem 1 are verified if ν admits a $C^0(\Omega) \cap W^{1,1}(\Omega)$ density with respect to the Lebesgue measure, and $z_0^i \neq z_0^j$ for $i \neq j$ and if the Laguerre tessellation for (z_0, ϕ_0) has no cell of zero Lebesgue volume. In this case the first order formulas are given by :*

$$\frac{\partial \tilde{g}}{\partial z_i}(\phi_0, z_0) = \int_{\mathcal{L}_i} (z_0^i - x) d\nu(x) \quad \text{and} \quad \frac{\partial \tilde{g}}{\partial \phi_i}(\phi_0, z_0) = -\nu(\mathcal{L}_i)$$

and the second order formula are given by :

$$\begin{aligned}
\frac{\partial^2 \tilde{g}}{\partial \phi^i \partial \phi^j}(\phi_0, z_0) &= \int_{\partial \mathcal{L}_i \cap \partial \mathcal{L}_j} \frac{m(x)}{\|z_0^i - z_0^j\|} d\sigma \quad \text{if } i \neq j \\
\frac{\partial^2 \tilde{g}}{(\partial \phi^i)^2}(\phi_0, z_0) &= - \sum_{j \neq i} \frac{\partial^2 \tilde{g}}{\partial \phi^i \partial \phi^j}(\phi_0, z_0) \\
\frac{\partial^2 \tilde{g}}{\partial \phi^i \partial z^j}(\phi_0, z_0) &= - \int_{\partial \mathcal{L}_i \cap \partial \mathcal{L}_j} \frac{(z_0^j - x)m(x)}{\|z_0^i - z_0^j\|} d\sigma \quad \text{if } i \neq j \\
\frac{\partial^2 \tilde{g}}{\partial \phi^i \partial z^i}(\phi_0, z_0) &= - \sum_{j \neq i} \frac{\partial^2 \tilde{g}}{\partial \phi^j \partial z^i} \\
\frac{\partial^2 \tilde{g}}{\partial z^i \partial z^j}(\phi_0, z_0) &= \int_{\partial \mathcal{L}_i \cap \partial \mathcal{L}_j} \frac{(z_0^j - x)(z_0^i - x)^T m(x)}{\|z_0^i - z_0^j\|} d\sigma \quad \text{if } i \neq j \\
\frac{\partial^2 \tilde{g}}{(\partial z^i)^2}(\phi_0, z_0) &= I_d \nu(\mathcal{L}_i) - \sum_{j \neq i} \int_{\partial \mathcal{L}_i \cap \partial \mathcal{L}_j} \frac{(z_0^i - x)(z_0^j - x)^T m(x)}{\|z_0^i - z_0^j\|} d\sigma,
\end{aligned}$$

where the Laguerre cells $\mathcal{L}_i, \mathcal{L}_j$ in consideration are computed with parameters (z_0, ϕ_0) and I_d is the identity matrix of dimension d .

Proof

In the Euclidean case the regularity assumption on c is trivially satisfied. Moreover e^{ik} is an hyperplane and Ω is bounded so that (Cont-2) is trivial. A direct computation shows that

$$\|\nabla_x c(z_0^i, x) - \nabla_x c(z_0^j, x)\| = \|z_0^i - z_0^j\|,$$

which is non zero by hypothesis and hence uniformly non-zero, so that Hypothesis (Diff-2-a) is satisfied.

For $j, k \neq 0$, the sets $\mathcal{N}_{ik}(\varepsilon)$ are ε -neighbourhoods of the hyperplane e^{ik} , so that (Diff-2-b) and (Diff-2-c) are verified as soon as the hyperplanes e^{ik} and e^{ij} are different for $j \neq k$. On the other hand, it is impossible that $e^{ik} = e^{ij}$ for any $j \neq k$. Indeed, by the definition (8), it would mean that z_0^i, z_0^k and z_0^j are aligned and that the Laguerre cell corresponding to the point between the two others has empty interior, contradicting the hypotheses of the theorem.

Similarly, if $e^{ik} \cap \partial \Omega$ is not reduced to at most two points, by the convexity of Ω , the set Ω lies on one side of e^{ik} and one of the two Laguerre cells $\mathcal{L}_i(z_0, \phi_0)$ or $\mathcal{L}_k(z_0, \phi_0)$ is therefore empty. This final argument proves the case (Diff-2-b) and (Diff-2-c) for $j = 0$.

Now let A be of cardinal ≥ 2 . Let i and k belong to A , then $\mathcal{M}^{-1}(A)$ is included in e^{ik} , but e^{ik} is an hyperplane which is of zero Lebesgue measure, hence $\nu(\mathcal{M}^{-1}(A)) = 0$.

The rest of the hypotheses of Proposition 0.1 is trivial to prove. \square .

As proved in [19], the constant C appearing in (Diff-2-b) depends on the minimal angle between the intersection of two competition zones e^{ik} and e^{il} . This constant is non-zero since there is a finite number of such intersections and it drives the $C^{2,\alpha}$ regularity of the function g .

2.4 Technical lemmas

This section is devoted to proving two technical lemmas, the first one ensures second-order differentiability of the function \tilde{g} and the second one ensures continuity. In this section, fix i , fix a C^∞ mapping $t \mapsto (z(t), \phi(t))$ that we aim at deriving at time $t = 0$. Set s small enough and consider only $t \in [0, s]$. Throughout this section the objects that depend on (z, ϕ) (say of the Laguerre cell $\mathcal{L}_j(z, \phi)$) will be written as depending on t (with the obvious notation $\mathcal{L}_j(t)$). Denote

$$u_t^{ik}(x) := c(z^i(t), x) - \phi^i(t) - \left(c(z^k(t), x) - \phi^k(t) \right).$$

Denote $(u_t^{ik})^{-1}(0) := \{x \in \mathbb{R}^d \text{ s.t. } u_t^{ik}(x) = 0\}$. Note that $(u_0^{ik})^{-1}(0) = e^{ik}$, where e^{ik} is defined in (8), Section 2.1.

Lemma 1.1 *Suppose that the Laguerre tessellation verifies (Diff-2). Let*

$$\xi : t \mapsto \int_{\mathcal{L}_i(t)} f(x, t) dx,$$

with f in $W^{1,1}(\Omega \times \mathbb{R}) \cap L^\infty(\Omega \times \mathbb{R})$ then ξ is derivable at time $t = 0$ with :

$$\partial_t \xi(0) = \sum_k \int_{\mathcal{L}_i(0) \cap \mathcal{L}_k(0)} \frac{\partial_t u_0^{ik}(x)}{\|\nabla_x u_0^{ik}(x)\|} f(x, 0) d\sigma + \int_{\mathcal{L}_i(0)} \partial_t f(x, 0) dx,$$

where σ is the $d - 1$ Hausdorff measure.

Lemma 1.2 *Suppose the Laguerre tessellation verifies (Cont-2). Let f be continuous, then $\xi : t \mapsto \int_{\mathcal{L}_i(t) \cap \mathcal{L}_k(t)} f(x, t) d\sigma$ is continuous.*

These lemmas are proven using tools of differential geometry via a bi-Lipchitz map θ that maps approximatively $\mathcal{L}_i(0)$ to $\mathcal{L}_i(t)$. The organization of this section is as follows: In Section 2.4.1 the map θ is built, and it is shown that $\theta(\mathcal{L}_i(0)) \simeq \mathcal{L}_i(t)$. The lemmas are then proven in Section 2.4.2.

2.4.1 Construction of the flow

For any $k \neq i, k > 0$, (Diff-2-a) ensures that $\|\nabla_x u_0^{ik}(x)\|$ is uniformly non-zero on $(u_0^{ik})^{-1}(0)$. By Lipschitz regularity of $\nabla_x u$, $\|\nabla_x u_t^{ik}(x)\|$ is uniformly non-zero for all $x \in \mathcal{N}_{ik}(s), t \in [0, s]$, provided s is chosen small enough. Hence the vector field defined as :

$$V_t^k(x) := -\partial_t u_t^{ik}(x) \frac{\nabla_x u_t^{ik}(x)}{\|\nabla_x u_t^{ik}(x)\|^2} \quad \forall x \in \mathcal{N}_{ik}(s), t \in [0, s],$$

is Lipschitz and can be extended as wanted outside $\mathcal{N}_{ik}(s)$. The flow θ^k associated to V_t^k is defined as :

$$\theta_0^k(x) = x \text{ and } \partial_t \theta_t^k(x) = V_t^k(\theta_t^k(x)). \quad (9)$$

The flow θ^k preserves the level-sets of u_t^{ik} in the sense that for all x , the mapping $t \mapsto u_t^{ik}(\theta_t^k(x))$ is a constant as long as $\theta_t^k(x)$ remains in $\mathcal{N}_{ik}(s)$. Hence the flow θ_t^k preserves the competition zone between $\mathcal{L}_i(t)$ and $\mathcal{L}_k(t)$.

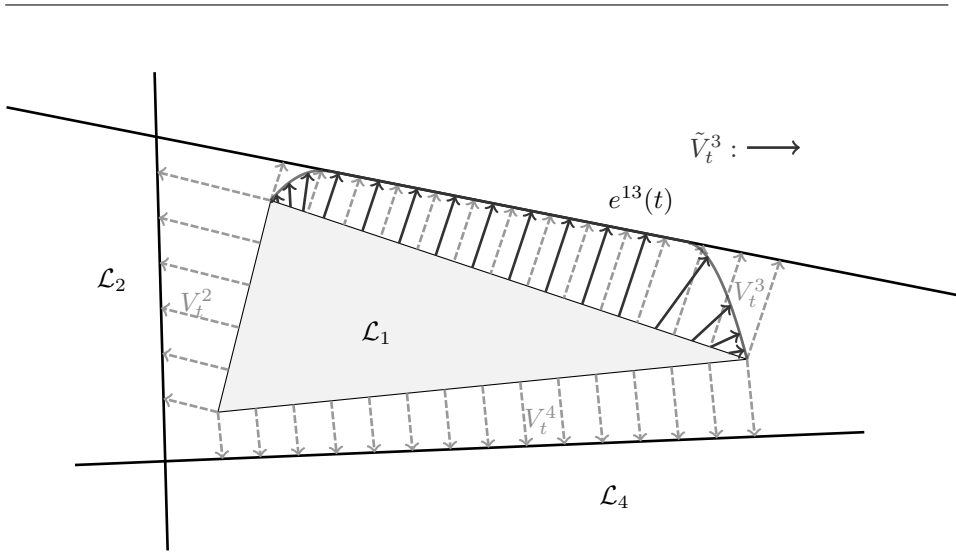


Figure 2: Example of the vector fields V_t^3 and \tilde{V}_t^3 for $i = 1$

The objective is to build a flow θ which preserves the whole boundary of $\mathcal{L}_i(t)$. To that end, introduce:

$$\mathcal{N}_{ik}^*(\varepsilon) = \bigcup_{0 \leq j \neq k \leq n} \mathcal{N}_{ij}(\varepsilon),$$

and denote $\delta_k(x)$ the distance function to $\mathcal{N}_{ik}^*(0)$

$$\delta_k(x) = \inf_y \left\{ \|y - x\|, \text{s.t. } y \in \partial\Omega \bigcup \left(\bigcup_{1 \leq j \neq k \leq n} e^{ij} \right) \right\}.$$

Set ζ a non-decreasing $C^\infty(\mathbb{R}^+, \mathbb{R})$ function equal to zero on $[0, 1/2]$ and to one on $[1, +\infty[$ and for all $x, 0 \leq t \leq s$ define

$$\tilde{V}_t^k(x) = \zeta\left(\frac{\delta_k(x)}{s}\right) V_t^k(x) \quad V_t(x) = \sum_{k=1}^n \tilde{V}_t^k(x)$$

Then V_t is equal to V_t^k on $\mathcal{N}_{ik}(s) \setminus \mathcal{N}_{ik}^*(s)$. One can safely interpret that $V_t = V_t^k$ on the edge of $\mathcal{L}_i(t)$ that is shared with $\mathcal{L}_k(t)$ and has been smoothed to zero on every corner of $\mathcal{L}_i(0)$.

Denote θ the flow associated to Lipschitz vector field V . We claim that **Proposition 1.2** *There exists $C, c > 0$ such that for all s small enough, for all k , and $0 \leq t \leq cs$, the symmetric difference between $\theta_t(\mathcal{L}_i(0))$ and $\mathcal{L}_i(t)$ has Lebesgue volume bounded by Cst .*

Proof Note first that the vector field V_t is always zero on $\partial\Omega$ so that $\theta_t(\Omega) = \Omega$ for all t . In the sequel C_v denotes an upper bound of the velocity of θ and θ^k . Set $c \leq 1/C_v$, then for all k :

$$\theta_t^k(e^{ik}) \subset \mathcal{N}_{ik}(s), \quad (10)$$

and then $\theta_t^k(e^{ik}) = (u_t^{ik})^{-1}(0)$. Let $x \in \theta_t(\mathcal{L}_i(0)) \Delta \mathcal{L}_i(t)$ and denote x_0 such that $x = \theta_t(x_0)$. We claim that there exists $k \in \llbracket 1, n \rrbracket$ and $0 \leq r_1, r_2 \leq t$ such that $u_{r_1}^{ik}(\theta_{r_1}(x_0)) = 0$ and $u_{r_2}^{ik}(\theta_{r_2}(x_0)) \neq 0$.

Indeed, if for instance $x \in \theta_t(\mathcal{L}_i(0))$ but $x \notin \mathcal{L}_i(t)$, then trivially $x_0 \in \mathcal{L}_i(0)$, meaning that for all k , $u_0^k(x_0) \leq 0$. But $x \notin \mathcal{L}_i(t)$ means that there exists a k such that $u_t^k(\theta_t(x_0)) > 0$. The continuity of the mapping $t \mapsto u_t^k(\theta_t(x))$ ensures that for some r_1 we have $u_{r_1}^k(\theta_{r_1}(x_0)) = 0$. The other case is done the same way.

Since θ has bounded velocity,

$$\forall r \leq t \quad \|\theta_r(x_0) - \theta_{r_1}(x_0)\| \leq C_v |r - r_1|.$$

By (10), since $\theta_{r_1}(x_0) \in (u_{r_1}^{ik})^{-1}(0)$, then $\theta_{r_1}(x_0) \in \mathcal{N}_{ik}(C_v r_1)$, then

$$\forall 0 \leq r \leq t, \quad \theta_r(x_0) \in \mathcal{N}_{ik}(2C_v t). \quad (11)$$

Upon reducing c by a factor 2, $\theta_r(x_0) \in \mathcal{N}_{ik}(s)$. We now claim that

$$\text{there exists } 0 \leq r_3 \leq t \text{ such that } \theta_{r_3}(x_0) \in \mathcal{N}_{ik}^*(s). \quad (12)$$

Indeed, if it is not the case, then for all r $V_r(\theta_r(x_0)) = V_r^k(\theta_r(x_0))$ and then $\theta_r(x_0) = \theta_r^k(x_0)$ and hence $u_r^{ik}(\theta_r(x_0))$ is a constant which is in contradiction with $u_{r_2}^{ik}(\theta_{r_2}(x_0)) \neq 0$ and $u_{r_1}^{ik}(\theta_{r_1}(x_0)) = 0$. Using the bounded velocity of θ , and (12) we conclude that $x = \theta_t(x_0) \in \mathcal{N}_{ik}^*(s + C_v t) \subset \mathcal{N}_{ik}^*(2s)$. Finally, using (11), we obtain

$$x \in \mathcal{N}_{ik}^*(2s) \cap \mathcal{N}_{ik}(C_v t) = \bigcup_{j \neq k} (\mathcal{N}_{ij}(2s) \cap \mathcal{N}_{ik}(C_v t)).$$

By hypothesis (Diff-2-b), the last set has volume bounded by Cst for some constant depending on C_v , the maximum velocity of θ^k and θ . Since C_v may be chosen independently of s when s is small enough, then C is independent of s and t . \square .

2.4.2 Proof of lemmas

We are now ready to tackle the proof of Lemmas 1.1 and 1.2 in this section.

Proof of Lemma 1.1 In this proof, the rate of convergence of $\frac{\alpha(t)}{t}$ towards 0 depends on s (as s^{-1}). Let f in $L^\infty(\Omega \times \mathbb{R})$ with gradient in $L^1(\Omega \times \mathbb{R})$ and s small enough. For all $t \leq cs$, Proposition 1.2 asserts

$$\begin{aligned} \int_{\mathcal{L}_i(t)} f(x, t) dx &= \int_{\theta_t(\mathcal{L}_i(0))} f(x, t) dx + \mathcal{O}(st) \\ &= \int_{\mathcal{L}_i(0)} f(\theta_t(x), t) |det(J\theta_t(x))| dx + \mathcal{O}(st) \end{aligned}$$

Where $J\theta_t$ is the Jacobian matrix of θ_t .

Using $\theta_t(x) = x + tV_0(x) + o_{L^\infty}(t)$, we then have (see [15])

$$\begin{aligned} f(\theta_t(x)) &= f(x, 0) + t\partial_t f(x, 0) + t\nabla_x f(x, 0) \cdot V_0(x) + o_{L^1}(t), \\ |det(J\theta_t(x))| &= 1 + tdiv(V_0) + o_{L^\infty}(t), \end{aligned}$$

where $o_{L^a}(t)$ is a time dependent function that, when divided by t goes towards zero in L^a norm as t goes to zero. The rate of convergence depends on the Lipschitz norm of V_i which scales as s^{-1} .

Then finally

$$\int_{\mathcal{L}_i(t)} f(x,t)dx - \int_{\mathcal{L}_i(0)} f(x,0)dx = t\alpha_f(s) + o(t) + \mathcal{O}(st) \quad (13)$$

with $\alpha_f(s) = \int_{\mathcal{L}_i(0)} (\partial_t f(x,0) + \nabla_x f(x,0) \cdot V_0(x) + f(x,0)\text{div}(V_0)) dx$.

Recall that V_0 depends on s , hence α_f depends on s .

A Stokes formula yields

$$\alpha_f(s) = \int_{\mathcal{L}_i(0)} \partial_t f(x,0)dx + \int_{\partial\mathcal{L}_i(0)} f(x,0)V_0(x) \cdot n_i d\sigma$$

This formula is true for Lipschitz domain and $\mathcal{L}_i(0)$ is Lipschitz because each e^{ik} is Lipschitz as can be proven by an implicit function theorem using (Diff-2-b).

Denote $Y(s) = \{x \in \partial\mathcal{L}_i(0) \cap \partial\mathcal{L}_k(0) \text{ s.t. } \zeta(\frac{\delta_k(x)}{s}) \neq 1\}$. Since

$$Y(s) \subset \bigcup_{j \neq k} (\mathcal{N}_{ij}(s) \cap e^{ik}),$$

we know $\lim_{s \rightarrow 0} \sigma(Y(s)) = 0$ by (Diff-2-c).

Since f is in $W^{1,1}$, its trace on e^{ik} is in $L^1(e^{ik})$ for the measure σ [6]. Hence, noticing that

$$\mathbb{1}_{\partial\mathcal{L}_i(0)} V_0(x) = \sum_{k \neq i} \mathbb{1}_{\partial\mathcal{L}_i(0) \cap \partial\mathcal{L}_k(0)} \zeta(\frac{\delta_k(x)}{s}) V_0^k(x),$$

the dominated convergence theorem asserts that $\alpha(s)$ converges as s goes to zero towards

$$\lim_{s \rightarrow 0} \alpha_f(s) := \alpha_f(0) = \int_{\mathcal{L}_i(0)} \partial_t f(x,0)dx + \sum_{k \neq i} \int_{\partial\mathcal{L}_i(0) \cap \partial\mathcal{L}_k(0)} f(x,0)V_0^k(x) \cdot n_i d\sigma.$$

Now denote,

$$r(t) = t^{-1} \left(\int_{\mathcal{L}_i(t)} f(x,t)dx - \int_{\mathcal{L}_i(0)} f(x,0)dx \right).$$

Let t go to zero in (13), we have $\limsup_{0+} r(t) = \alpha_f(s) + \mathcal{O}(s)$ and $\liminf_{0+} r(t) = \alpha_f(s) + \mathcal{O}(s)$. Letting s goes to zero shows that $\lim_{0+} r(t)$ exists and is equal to $\alpha_f(0)$ which proves lemma 1.1.

Proof of lemma 1.2 The proof of this proposition owes so much to [19], proposition 3.2 that we even take the same notations. Consider the following partition of $\mathcal{L}_i(t) \cap \mathcal{L}_k(t)$:

$$\begin{aligned} A_t &= \left\{ \theta_t^k(x) \text{ s.t. } \theta_r^k(x) \in \mathcal{L}_i(r) \cap \mathcal{L}_k(r) \quad \forall r \in [0, s] \right\} \\ B_t &= \{x \in \mathcal{L}_i(t) \cap \mathcal{L}_k(t) \text{ s.t. } x \notin A_t\} \end{aligned}$$

It is clear that for all $t \leq s$, we have

$$\xi(t) = \int_{A_t} f(x, t) d\sigma + \int_{B_t} f(x, t) d\sigma$$

In [19], in the first part of the proof of Proposition 3.2, the authors show that

$$\lim_{s \rightarrow 0^+} \int_{A_s} f(x, s) d\sigma = \int_{A_0} f(x, 0) d\sigma,$$

while actually controlling the convergence rate by the modulus of continuity of f . The reason is that θ_t^k is a bi-Lipschitz map between A_t and A_0 and that a change of variable allows to prove continuity. Note that no regularity assumption is made on the set A_t except that its $d-1$ Hausdorff measure is bounded, which is exactly hypothesis (Cont-2). In order to prove that the sets B_t are small with respect to the measure $d\sigma$, we follow a slightly simpler and quicker path than [19] due to the fact that we use a stronger hypothesis in (Diff-2-c).

First if $x = \theta_t^k(x_0) \in B_t$, then there exists $r \in [0, s]$, such that :

$$\theta_r^k(x) \in \partial\Omega \bigcup_{j \notin \{i, k\}} (u_r^{ij})^{-1}(0) \quad (14)$$

Indeed if $x \in B_t$ then $\theta_r^k(x)$ is in $\mathcal{L}_i(r) \cap \mathcal{L}_k(r)$ for $r = t$ and strictly outside this set for some $r = r_1$. Recalling that

$$\mathcal{L}_i(t) \cap \mathcal{L}_k(t) = \left\{ x \in \Omega \text{ s.t. } u_t^{ik}(x) = 0 \text{ and } u_t^{ij}(x) \leq 0 \text{ and } u_t^{kj}(x) \leq 0 \quad \forall j \notin \{i, k\} \right\},$$

and that θ_t^k preserves the level-set 0 of u_t^{ik} , then for some r , we must have by the intermediate value theorem either $\theta_r^k(x) \in \partial\Omega$ or $u_r^{ij}(\theta_r^k(x)) = 0$ or $u_r^{kj}(\theta_r^k(x)) = 0$. Finally if $u_r^{kj}(\theta_r^k(x)) = 0$, then implies that $u_r^{ij}(\theta_r^k(x)) = 0$, since $u_r^{ik}(\theta_r^k(x)) = 0$.

Suppose that we are in the case $u_r^{ij}(\theta_r^k(x_0)) = 0$ in (14), then $\theta_r^k(x_0)$ is in $(u_r^{ij})^{-1}(0)$, which, by finite velocity of θ^j , is at distance at most $C_v s$ of $e^{ij} = (u_0^{ij})^{-1}(0)$. By finite velocity of θ^k , x_0 is at distance at most $C_v s$ of $\theta_r^k(x_0)$, meaning that x_0 is at distance at most $2C_v s$ of e^{ij} . Since $u_0^{ik}(x_0) = 0$, we have that $x_0 \in C_0 := e^{ik} \cap \mathcal{N}_{ik}^*(2C_v s)$ which $d\sigma$ goes to zero as s goes to zero by (Diff-2-c). Finally

$$B_t \subset \theta_t^k(C_0),$$

since θ_t^k is a bi-Lipschitz map. Hence as s goes to zero, $d\sigma(B_t)$ goes to 0 and hence.

$$\lim_{s \rightarrow 0^+} \int_{B_t} f(x, t) d\sigma = 0 = \lim_{s \rightarrow 0^+} \int_{B_0} f(x, 0) d\sigma.$$

2.5 Proof of the results of Section 2

The goal of this section is to prove the different results of Section 2. We begin by Proposition 0.1. Suppose first $z^i \mapsto c(z^i, x)$ is differentiable ν a.e. for all i and that ν is a positive Borelian measure of finite mass and rewrite \tilde{g} as

$$\tilde{g}(t) = \int_{\Omega} \psi_{\text{opt}}(z(t), \phi(t), x) d\nu(x)$$

where

$$\psi_{\text{opt}}(z, \phi, x) = \min_i \psi^i(z, \phi, x) \quad \text{with } \psi^i(z, \phi, x) = c(z^i, x) - \phi^i,$$

As the minimum of a finite number of differentiable functions, ψ_{opt} is measurable and is ν -a.e directionally derivable with formula

$$\psi_{\text{opt}}'(x) := \lim_{t \rightarrow 0^+} \frac{\psi_{\text{opt}}(z + td_z, \phi + td_\phi, x) - \psi_{\text{opt}}(z, \phi, x)}{t} = \min_{i \in \mathcal{M}(x)} \langle \nabla \psi^i(x), d \rangle,$$

with $d = (d_z, d_\phi)$ and ∇ is the gradient with respect to z and ϕ . Recall for that purpose that $\mathcal{M}(x)$ is exactly the argmin of $\psi^i(x)$. The function $(\psi_{\text{opt}})'$ is seen to be measurable when rewritten as :

$$\psi_{\text{opt}}'(x) = \sum_{A \subset [1, n]} \mathbb{I}_{\{\mathcal{M}^{-1}(A)\}}(x) \min_{i \in A} \langle \nabla \psi^i(x), d \rangle,$$

the set $\mathcal{M}^{-1}(A)$ being measurable since

$$(\mathcal{M}(x) = A) \Leftrightarrow (\psi_i(x) = \psi_{\text{opt}}(x) \quad \forall i \in A \text{ and } \psi_i(x) > \psi_{\text{opt}}(x) \quad \forall i \in A^c)$$

A standard dominated convergence theorem asserts that the directional derivative of \tilde{g} exists and is given by :

$$\tilde{g}' = \int_{\Omega} (\psi_{\text{opt}})'(x) d\nu(x)$$

and we retrieve

$$\tilde{g}' = \sum_{A \subset [1, n]} \int_{\mathcal{M}^{-1}(A)} \min_{i \in A} \langle \nabla \psi^i(x), d \rangle d\nu(x)$$

which is exactly the formula of Proposition 0.1. When one supposes that $\nu(\mathcal{M}^{-1}(A)) = 0$ as soon as the cardinal of A is strictly greater than 1, then \tilde{g}' is linear w.r.t d and hence differentiable. In this case, we have $\mathcal{M}^{-1}(\{i\}) = \mathcal{L}_i(z, \phi)$ up to a set of zero ν -measure, and hence

$$\nabla \tilde{g}(z, \phi) = \sum_{i=1}^n \int_{\mathcal{L}_i(z, \phi)} \nabla \psi_i(z, \phi, x) d\nu(x)$$

In order to prove the continuity of the gradient of \tilde{g} , we use the following technical lemma with $f = \nabla \psi_i(z, \phi, x)$.

Lemma 1.3 *Suppose that $\nu(\mathcal{M}^{-1}(A)) = 0$ if $\#(A) \geq 2$. If f is continuous with respect to z, ϕ for almost every x and if there exists $l \in L^1(\nu)$ such that $|f(z, \phi, x)| \leq l(x)$ ν -a.e. for all (z, ϕ) then*

$$F_i : (z, \phi) \mapsto \int_{\mathcal{L}_i(z, \phi)} f(z, \phi, x) d\nu$$

is continuous.

Proof of Lemma 1.3 First recall that

$$\mathcal{L}_i(z, \phi) = \{x \in \Omega \text{ s.t. } \psi^i(z, \phi, x) \leq \psi_{\text{opt}}(z, \phi, x)\}.$$

For a sequence (z_n, ϕ_n) that goes to (z, ϕ) , denote

$$h_n(x) = f(z_n, \phi_n, x) \mathbb{1}_{\psi^i(z_n, \phi_n, x) \leq \psi_{\text{opt}}(z_n, \phi_n, x)}(x) \mathbb{1}_\Omega(x),$$

and $h = \mathbb{1}_{\mathcal{L}_i} f$. Then

$$F_i(z_n, \phi_n) = \int_{\Omega} h_n d\nu, \quad F_i(z, \phi) = \int_{\Omega} h d\nu.$$

Moreover $h_n \leq l$ for all n .

If x is such that $i \notin \mathcal{M}(x)$, that is $\psi^i(z, \phi, x) > \psi_{\text{opt}}(z, \phi, x)$, then $h_n(x)$ converges to $h(x)$. If x is such that $\mathcal{M}(x) = \{i\}$, then by continuity of $\psi^j(z, \phi, x)$ for all $j \neq i$, $\psi^i(z_n, \phi_n, x) = \psi_{\text{opt}}(z_n, \phi_n, x)$ for n sufficiently large, hence $h_n(x)$ converges to $h(x)$. Then h_n converges to $h = \mathbb{1}_{\mathcal{L}_i} f$ except possibly on the sets where $\mathcal{M}^{-1}(A)$ is of cardinal greater or equal than 2, which is, by hypothesis, of zero ν -measure.

Since $h_n \leq l$ for all n , a dominated convergence theorem ensures the continuity of the integral with respect to (z, ϕ) . \square

Proof of Theorem 1 The proof of Theorem 1 is straightforward. We apply Lemma 1.1 to $f(z, x) = \partial_z c(z^i, x) m(x)$ or $f(z, x) = m(x)$, where m is the density of ν . Then we apply Lemma 1.2 to the formula of the second order derivative in order to prove second order continuity. We obtain the following formula for the second order derivatives of g , taken at point $(\phi, z) = (\phi_0, z_0)$:

$$\begin{aligned} \frac{\partial^2 \tilde{g}}{\partial a \partial b} &= \sum_{i \neq j} \int_{\partial \mathcal{L}_i \cap \partial \mathcal{L}_j} \frac{(\partial_a c(z^j, x) - \partial_a \phi^j - \partial_a c(z^i, x) + \partial_a \phi^i)(\partial_b c(z^i, x) - \partial_b \phi^i)}{\|\nabla_x c(z^i, x) - \nabla_x c(z^j, x)\|} m(x) d\sigma \\ &+ \sum_i \int_{\mathcal{L}_i} \frac{\partial^2 c}{\partial a \partial b}(z^i, x) d\nu(x), \end{aligned}$$

where σ is the $d-1$ Hausdorff measure, m is the density of ν and a or b have to be replaced by the coordinates of ϕ or of one of the point z^k . Replacing the a and b , yields the formulas stated in Theorem 1.

3 Numerical experiments

In this section we test a second order algorithm for the 2-Wasserstein distance, when c is the Euclidean cost. Two problems will be solved: *Blue Noise* and *Stippling*. In both cases, we optimize a measure μ of the form $\mu(z, m) = \sum_{i=1}^n m^i \delta_{z^i}$, so that the 2-Wasserstein distance $W_2(\mu(z, m), \nu)$ is minimal. The cost function for the Stippling problem is referred to as G_S , the one for the Blue Noise as G_B . We denote by $G_{B/S}$ the cost function when no difference is made between the two problems.

There are many applications for the *Blue Noise* and *Stippling* problems, from data compression in computer graphics to clustering in data science described in [10], or more recently in anisotropic meshing [21]. Note also that

these problems fall within the scope of optimum quantization, that is finding a set of supporting points that approximates a probability distribution, see [13, 14] and the references inside.

- *Blue Noise*: Here the weights m^i are fixed. Hence the functional to minimize reads as :

$$\inf_{z \in \mathbf{R}^{nd}} G_B(z) \text{ with } G_B(z) = W_2(\mu(z, m), \nu) = \max_{\phi} g(\phi, z, m). \quad (15)$$

- *Stippling*: This problem consists in optimizing in m and in z simultaneously :

$$\inf_{z \in \mathbf{R}^{nd}} \inf_{m \in \Delta_n} W_2(\mu(z, m), \nu),$$

where Δ_n is the canonical simplex.

The *Stippling* problem is actually easier than the *Blue Noise* problem. Following the discussion of Section 1.2, optimizing the mass amounts to set $\phi = 0$ and $\tilde{m}_i = \nu(\mathcal{V}_i)$:

$$\inf_{z \in \mathbf{R}^{nd}} G_S(z) \text{ with } G_S(z) = W_2(\mu(z, \tilde{m}), \nu) = g(0, z, \tilde{m}), \quad (16)$$

where G_S is the Voronoi energy defined in (6). Hence no optimization procedure is required in ϕ and \tilde{m} is merely given by computing the ν -mass of each Voronoi cells.

Note that $\partial_z G_{B/S}$, the differential of $G_{B/S}$ with respect to z is equal to:

$$\partial_z G_B = \partial_z g \quad \text{and} \quad \partial_z G_S = \partial_z g + \partial_m g \partial_z \tilde{m}$$

since $\partial_m g = 0$ when $\phi = 0$, we obtain

$$\partial_z G_{B/S} = \partial_z g \quad (17)$$

Formulas Recall that in the Euclidean case, the formulas for g boils down to

$$\begin{aligned} \frac{\partial g}{\partial z^i} &= M^i (z^i - \bar{z}^i) \\ \frac{\partial^2 g}{\partial z^i \partial z^j} &= \int_{\partial \mathcal{L}_i \cap \partial \mathcal{L}_j} \frac{(z^j - x)(z^i - x)^T m(x)}{\|z^i - z^j\|} d\sigma \text{ if } i \neq j \\ \frac{\partial^2 g}{\partial (z^i)^2} &= M^i - \sum_{i \neq j} \frac{\partial^2 g}{\partial z^i \partial z^j} \end{aligned}$$

where $M^i = \int_{\mathcal{L}_i} d\nu$ is the mass of the i^{th} Laguerre cell and $\bar{z}^i = \int_{\mathcal{L}_i} x d\nu / M^i$ is its barycenter.

3.1 Lloyd's algorithm

The gradient algorithm for computing the *Blue Noise* (resp. the *Stippling* problem) is to move each point in the direction of the barycenter of its Laguerre cell (resp. Voronoi cell). Taking the diagonal metric given by the

Algorithm 1 Lloyd’s algorithm with Wolfe stabilization.

```

1: Inputs:
2: Initial guess  $z^0$ 
3: target measure  $\nu$ 
4: Outputs:
5: An approximation of the solution of (15).
6: while Until convergence do
7:   Compute  $\phi_{\text{opt}}(z^k)$ .
8:   Compute  $\bar{z}_i^k$  the barycenter of the  $i^{\text{th}}$  Laguerre cell  $\mathcal{L}_i(z^k, \phi_{\text{opt}}(z^k))$ .
9:   Set  $d^k = \bar{z}_i^k - z_i^k$ 
10:  Set  $\sigma^k = 1$  and  $z_i^{k+1} = z_i^k + \sigma^k d^k$ 
11:  while The Wolfe conditions are not fulfilled do
12:     $\sigma^k = \sigma^k / 2$  and  $z_i^{k+1} = z_i^k + \sigma^k d^k$ .
13:  end while
14:   $k = k + 1$ 
15: end while
16: Return  $z^k$ .

```

mass of the cells $M = (M^i)_{i=1..n}$ (which is a decent approximation of the Hessian), yields the following formula for the gradient of $G_{B/S}$

$$\langle a, b \rangle_M = \sum_i M^i a^i b^i \implies \nabla G_{B/S}(z_k) = z^i - \bar{z}^i. \quad (18)$$

A fixed step gradient Algorithm with step 1 is to set each point z^i exactly at the location of the barycenter \bar{z}^i . This algorithm is well known as a Lloyd-like or a relaxation algorithm [23, 10]. An improvement of Lloyd’s algorithm is to ensure a Wolfe step condition [5].

$$G_{B/S}(z_{k+1}) < G_{B/S}(z_k) + 10^{-4} \langle \nabla G_{B/S}(z_k), z_{k+1} - z_k \rangle_M \quad (\text{Wolfe})$$

This naturally leads to algorithm 1. The only difference between the *Stippling* and *Blue Noise* problems lies in the choice of $\phi_{\text{opt}}(z)$. It is chosen equal to 0 in the *Stippling* problem and to $\text{argmax}_{\phi} g$ in the *Blue Noise* problem.

Numerical experiment shows that it is not necessary to check for Wolfe’s second condition which ensures that the step is not too small, indeed Lloyd’s algorithm (and Newton’s algorithm) have a natural step $\sigma^k = 1$.

3.2 Newton’s Algorithm

The second algorithm is a Newton algorithm. Denoting by H the Hessian, in the *Stippling* case, we have by (17):

$$H_{zz}G_S = H_{zz}g \quad (19)$$

The computation of $H_{zz}G_B$ for the *Blue Noise* case is more involved. A chain rule yields

$$H_{zz}G_B = H_{zz}g + H_{z\phi}g \cdot \nabla_z \phi_{\text{opt}}$$

The existence of $\nabla_z \phi_{\text{opt}}$ is given by an implicit function theorem, from

$$\nabla_\phi g(\phi_{\text{opt}}(z), z, m) = 0.$$

Differentiating the above equation with respect to z and applying the chain rule, we get

$$H_{z\phi}g + H_{\phi\phi}g\nabla_z\phi_{\text{opt}} = 0$$

and hence

$$H_{zz}G_B = H_{zz}g - H_{z\phi}g(H_{\phi\phi}g)^{-1}H_{\phi z}g.$$

The implicit function theorem that proves existence of $\nabla_z \phi_{\text{opt}}$ requires the matrix $H_{\phi\phi}g$ to be invertible. Note that constant ϕ are always part of the kernel of $H_{\phi\phi}g$ since g is invariant under the addition of constants to ϕ . Upon supposing that ϕ has zero average, the invertibility of $H_{\phi\phi}g$ is verified throughout the optimization procedure. In theory, $H_{\phi\phi}g$ can only be proven to be invertible generically [25, Theorem 18].

Once the Hessian is computed, the Newton algorithm with preconditioning by the matrix M amounts to changing in Algorithm 1 the descent direction d^k by a solution to the linear problem

$$AM^{1/2}d^k = -M^{1/2}\nabla G_{B/S}(z^k) \quad \text{with } A = (M^{-1/2}H_{zz}G_{B/S}M^{-1/2}), \quad (20)$$

and $\nabla G_{B/S}(z^k)$ is defined in (18) as the gradient with respect to the metric M . Newton's algorithm fails if the Hessian is not positive definite, hence we propose a work-around based on the conjugate gradient method on the system (20). Recall that conjugate gradient method solve exactly the problem in the Krylov space and that the residues of the conjugate gradient method form an orthogonal basis of this Krylov space, hence are equal (up to a normalization procedure) to the Lanczos basis. Denote π_n the projection on the Krylov space at iteration n , the matrix $\pi_n A \pi_n$ is tridiagonal in the Lanczos basis hence the computation of its determinant is a trivial recurrence [29]. By monitoring the sign of the determinant throughout iterations one checks the positiveness of the matrix. The conjugate gradient algorithm is stopped whenever the matrix A stops being positive definite. The descent direction is then given by

$$(\pi_n A \pi_n)M^{1/2}d^k = -\pi_n M^{1/2}\nabla G_{B/S}(z^k),$$

By convention for $n = 0$, we solve $d^k = -\nabla G_{B/S}(z^k)$. If A is positive, then the problem (20) is solved exactly.

3.3 Other considerations

The computation of ϕ^* in the *Blue Noise* problem is a standard unconstrained concave maximization procedure with knowledge of second order derivatives. In order to compute ϕ_{opt} in a robust manner, we settled on a Levenberg-Marquardt type algorithm: denoting $H(\sigma) = H_{\phi\phi}g - \frac{1}{\sigma}Id$, we take as descent direction $-H(\sigma)^{-1}\nabla g(\phi)$, where σ is reduced until Wolfe's first order conditions are met. In the *Stippling* problem, the computation of $\phi^* = 0$ is trivial.

The Laguerre tessellation is computed by CGAL [1]. All the tests were performed using a standard Lena image as background measure ν which has

been discretized as bilinear by pixel ($Q1$ finite element method). In the *Blue Noise* problem, the mass m is constrained to be equal to $\frac{1}{n}$ for all Dirac masses.

3.4 Numerical results

3.5 Direct comparison of the algorithms

For the first example, we search the optimal positions of the Dirac masses for either the *Blue Noise* or *Stippling* problem. Three methods are benchmarked, the Gradient method (Lloyd-like method), the Newton method discussed in the previous section and a *LBFGS* method with the memory of the 8 previous iterations. Tests are performed for 1K and 10K uniformly drawn points. The evolution of the cost functions and the L_2 norms of the gradient are displayed throughout iterations. Figure 3 displays the results obtained for the *Stippling* problem whereas Figure 4 displays the results for the *Blue Noise* problem. The tests are made with the same set of initial points, a different initialization leads to comparable results.

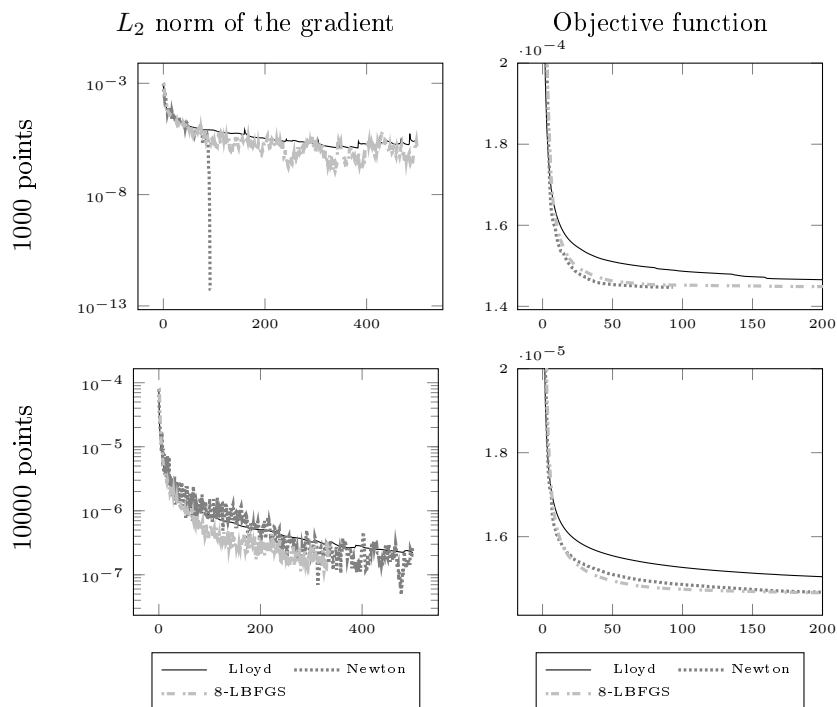


Figure 3: *Stippling* problem with 1Kpts (Top) and 10 Kpts (Bottom). Left : norm of the gradient, Right : evolution of the cost function.

Our interpretation of Figure 3 is the following: in the 1K points problem, the best methods for finding critical points and minimum are, by decreasing order, Newton, 8-BFGS and Lloyd, which is coherent with theory. For the

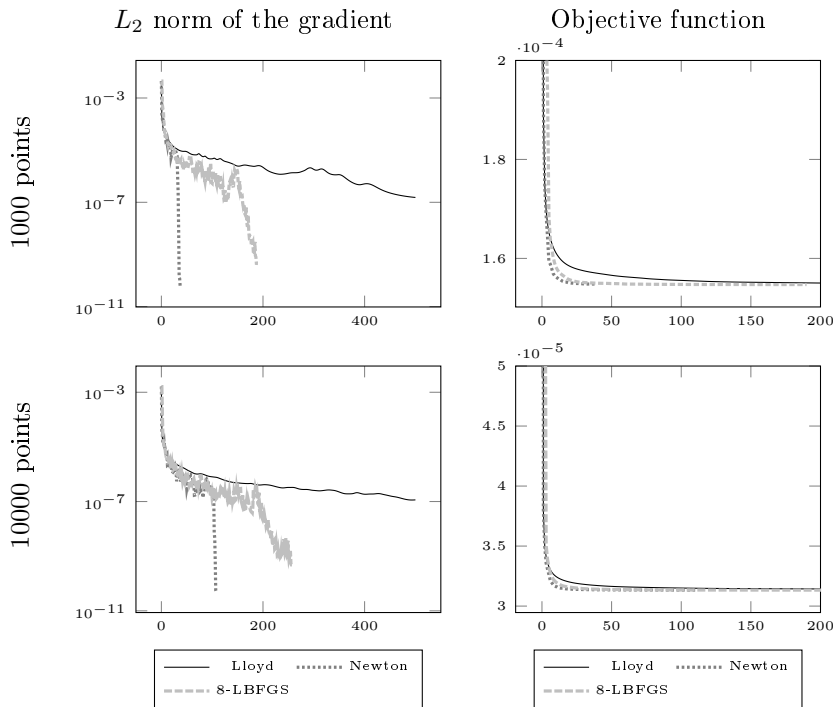


Figure 4: *Blue Noise* problem with 1Kpts (Top) and 10 Kpts (Bottom). Left : norm of the gradient, Right : evolution of the cost function.

10K points problems, the three different methods seem equivalent. Our interpretation of the 10K points behavior is the combination of two factors. First we believe that an augmentation of the number of points reduces the basin of attraction of local minimum. Indeed, in our test the Newton method failed to attain locally convex points (the Hessian always had a negative eigenvalue throughout iterations). The second effect of the augmentation of the number of points is that numerical errors trickle down the algorithm, eventually preventing the Newton method to accurately find the minimum.

As a conclusion, we find that using second order derivative information in computing centroidal Voronoi tessellation (*Stippling* problem) is useful for a small number of points, which renders the application range of this method quite limited. Note that very similar tests have already been performed in [22]. The main conclusions of the tests in Figure 3 and Figure 4 is that the basin of attraction of the Newton method for the *Blue Noise* problem seems bigger than the one of the *Stippling* problem. Hence a second order method for the *Blue Noise* problem is of interest as the number of points rises.

3.6 Adding a point

In order to exhibit the helpfulness of second order method for *Stippling*, we build an example where the classic gradient algorithm fails to converge.

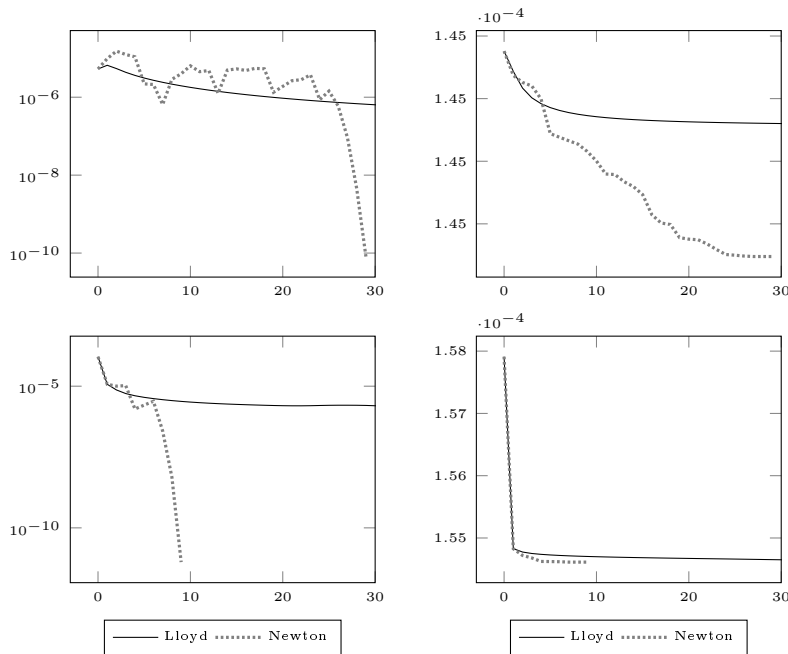


Figure 5: Evolution of the cost function (Right) and the norm of the gradient (Left) for the *Stippling* problem (Top) and the *Blue Noise* problem (Bottom) when one point is added.

Empirically the main drawback of Lloyd algorithm is its lack of *globalisation*. Suppose one has optimized the position of n Dirac masses for the *Blue Noise* or *Stippling* problem and that one adds one mass at some random location and wants to optimize the position of the $n + 1$ Dirac masses. Lloyd's algorithm for the *Stippling* problem will converge slowly due to the fact that the new point will modify the Voronoi cells of its neighbours only, whereas the *Blue Noise* functional is global and every Laguerre cell will be modified at the first iteration. Hence Lloyd's algorithm for the *Stippling* problem has to wait for the information to propagate through each Voronoi cell, like the peeling of an onion, one layer at each iteration. The advantages of the second order method can then be seen, since the Hessian encodes the connectivity and propagates instantly the information. This effect should be less important for the *Blue Noise* case where information is propagated instantly. In Figure 5, we exhibit this effect for the *Blue Noise* and *Stippling* problem. We optimize with 1K pts with a second order method and then test either Lloyd's or Newton's method.

Our interpretation of Figure 5 lies mainly in the observation of the cost function. Newton's method converges for the *Blue noise* or *Stippling* case, where Lloyd's method convergence rate towards a critical point is way slower. Note however that the objective function for the *Stippling* problem decreases very slowly for Lloyd's method compared to the Newton

method whereas the decrease of the objective function for the *Blue Noise* is comparable. We interpret this result as the "peeling layers" effect, only seen in the *Stippling* problem, described earlier.

4 Conclusion

In this paper we have studied the conditions under which second order differentiability of the semi-discrete optimal transport with respect to position of the Dirac masses holds for generic cost function c . This result encompasses the second order differentiability of the energy of a Voronoi diagram. We have numerically implemented the second order procedure for both the *Blue Noise* and *Stippling* problem. In the *Stippling* problem, the numerical applications are limited by arithmetic precision and small basins of attraction. The *Blue Noise* problem is less sensitive to these effects. An interpretation of this fact is that the *Blue Noise* problem is global, a change in the position of a mass has an effect on the whole set of masses, whereas in the *Stippling* problem, a mass only sees its direct neighbours. The *Blue Noise* problem is then a more stable problem than the *Stippling* one.

It is then of the highest interest to understand the smallness of the basins of attraction and the disposition of local minima for the two corresponding problem. It is also the aim of future work to understand optimal transportation between Dirac masses and non-regular background measures (say measures supported by curves) and the corresponding *Blue Noise* problem. Such an application requires to differentiate the semi-discrete optimal transport with respect to parameters that describe the underlying background measure ν .

References

- [1] CGAL, Computational Geometry Algorithms Library. <http://www.cgal.org>.
- [2] Yasushi Asami. A note on the derivation of the first and second derivative of objective functions in geographical optimization problems. *Journal of the Faculty of Engineering, The University of Tokio (B)*, 41(1):1–13, 1991.
- [3] Franz Aurenhammer. Power diagrams: properties, algorithms and applications. *SIAM Journal on Computing*, 16(1):78–96, 1987.
- [4] Franz Aurenhammer, Friedrich Hoffmann, and Boris Aronov. Minkowski-type theorems and least-squares clustering. *Algorithmica*, 20(1):61–76, 1998.
- [5] Dimitri P Bertsekas. *Nonlinear programming*. Athena scientific Belmont, 1999.
- [6] Haïm Brezis, Philippe G Ciarlet, and Jacques Louis Lions. *Analyse fonctionnelle: théorie et applications*, volume 91. Dunod Paris, 1999.
- [7] Fernando De Goes, Katherine Breeden, Victor Ostromoukhov, and Mathieu Desbrun. Blue noise through optimal transport. *ACM Transactions on Graphics (TOG)*, 31(6):171, 2012.

-
- [8] Fernando Ferrari de Goes. *Geometric discretization through primal-dual meshes*. PhD thesis, California Institute of Technology, 2014.
- [9] Qiang Du, Maria Emelianenko, and Lili Ju. Convergence of the Lloyd algorithm for computing centroidal Voronoi tessellations. *SIAM journal on numerical analysis*, 44(1):102–119, 2006.
- [10] Qiang Du, Vance Faber, and Max Gunzburger. Centroidal voronoi tessellations: Applications and algorithms. *SIAM review*, 41(4):637–676, 1999.
- [11] Qiang Du and Max Gunzburger. Grid generation and optimization based on centroidal voronoi tessellations. *Applied Mathematics and Computation*, 133(2):591–607, 2002.
- [12] Rémi Flamary, Marco Cuturi, Nicolas Courty, and Alain Rakotomamonjy. Wasserstein discriminant analysis. *arXiv preprint arXiv:1608.08063*, 2016.
- [13] Siegfried Graf and Harald Luschgy. *Foundations of quantization for probability distributions*. Springer, 2007.
- [14] Peter M Gruber. Optimum quantization and its applications. *Advances in Mathematics*, 186(2):456–497, 2004.
- [15] Antoine Henrot and Michel Pierre. *Variation et optimisation de formes: une analyse géométrique*, volume 48. Springer Science & Business Media, 2006.
- [16] Masao Iri, Kazuo Murota, and Takao Ohya. A fast voronoi-diagram algorithm with applications to geographical optimization problems. In *System modelling and optimization*, pages 273–288. Springer, 1984.
- [17] Richard Jordan, David Kinderlehrer, and Felix Otto. The variational formulation of the fokker–planck equation. *SIAM journal on mathematical analysis*, 29(1):1–17, 1998.
- [18] Leonid V Kantorovich. On a problem of monge. In *CR (Doklady) Acad. Sci. URSS (NS)*, volume 3, pages 225–226, 1948.
- [19] Jun Kitagawa, Quentin Mérigot, and Boris Thibert. Convergence of a Newton algorithm for semi-discrete optimal transport. *Journal of the European Math Society (JEMS)*, To appear.
- [20] Bruno Lévy. A numerical algorithm for l2 semi-discrete optimal transport in 3d. *ESAIM: Mathematical Modelling and Numerical Analysis*, 49(6):1693–1715, 2015.
- [21] Bruno Lévy and Yang Liu. L p centroidal voronoi tessellation and its applications. In *ACM Transactions on Graphics (TOG)*, volume 29, page 119. ACM, 2010.
- [22] Yang Liu, Wenping Wang, Bruno Lévy, Feng Sun, Dong-Ming Yan, Lin Lu, and Chenglei Yang. On centroidal Voronoi tessellation, energy smoothness and fast computation. *ACM Transactions on Graphics (ToG)*, 28(4):101, 2009.
- [23] Stuart Lloyd. Least squares quantization in pcm. *IEEE transactions on information theory*, 28(2):129–137, 1982.

-
- [24] Quentin Mérigot. A comparison of two dual methods for discrete optimal transport. In *Geometric science of information*, pages 389–396. Springer, 2013.
- [25] Quentin Mérigot, Jocelyn Meyron, and Boris Thibert. An algorithm for optimal transport between a simplex soup and a point cloud. *SIAM Journal on Imaging Sciences*, 11(2):1363–1389, 2018.
- [26] Gaspard Monge. Mémoire sur la théorie des déblais et des remblais. *Histoire de l'Académie Royale des Sciences de Paris*, 1781.
- [27] Gilles Pages and Benedikt Wilbertz. Optimal delaunay and voronoi quantization schemes for pricing american style options. In *Numerical methods in Finance*, pages 171–213. Springer, 2012.
- [28] Yossi Rubner, Carlo Tomasi, and Leonidas J Guibas. The earth mover's distance as a metric for image retrieval. *International journal of computer vision*, 40(2):99–121, 2000.
- [29] Yousef Saad. *Iterative methods for sparse linear systems*. SIAM, 2003.
- [30] Justin Solomon, Raif Rustamov, Guibas Leonidas, and Adrian Butscher. Wasserstein propagation for semi-supervised learning. In *Proceedings of the 31st International Conference on Machine Learning (ICML-14)*, pages 306–314, 2014.
- [31] Cédric Villani. *Topics in optimal transportation*. Number 58. American Mathematical Soc., 2003.
- [32] Wei Wang, Dejan Slepčev, Saurav Basu, John A Ozolek, and Gustavo K Rohde. A linear optimal transportation framework for quantifying and visualizing variations in sets of images. *International journal of computer vision*, 101(2):254–269, 2013.