



**HAL**  
open science

## **Homozygous deletion of SUN5 in three men with decapitated spermatozoa**

Razan A. Elkhatib, Marine Paci, Guy Longepied, Jacqueline Saias-Magnan, Blandine Courbiere, Marie-Roberte Guichaoua, Nicolas Levy, Catherine Metzler-Guillemain, Michael J. Mitchell

► **To cite this version:**

Razan A. Elkhatib, Marine Paci, Guy Longepied, Jacqueline Saias-Magnan, Blandine Courbiere, et al.. Homozygous deletion of SUN5 in three men with decapitated spermatozoa. *Human Molecular Genetics*, 2017, 26 (16), pp.3167-3171. 10.1093/hmg/ddx200 . hal-01681645

**HAL Id: hal-01681645**

**<https://hal.science/hal-01681645>**

Submitted on 16 Apr 2018

**HAL** is a multi-disciplinary open access archive for the deposit and dissemination of scientific research documents, whether they are published or not. The documents may come from teaching and research institutions in France or abroad, or from public or private research centers.

L'archive ouverte pluridisciplinaire **HAL**, est destinée au dépôt et à la diffusion de documents scientifiques de niveau recherche, publiés ou non, émanant des établissements d'enseignement et de recherche français ou étrangers, des laboratoires publics ou privés.

**Homozygous deletion of *SUN5* in three men with decapitated spermatozoa**

Razan A. Elkhatib,<sup>1</sup> Marine Paci,<sup>1,2</sup> Guy Longepied,<sup>1</sup> Jacqueline Saias-Magnan,<sup>2</sup> Blandine Courbiere,<sup>2</sup> Marie-Roberte Guichaoua,<sup>2</sup> Nicolas Levy,<sup>1</sup> Catherine Metzler-Guillemain,<sup>1,2</sup> and Michael J. Mitchell<sup>1,\*</sup>

<sup>1</sup> Aix Marseille Univ, INSERM, GMGF, Marseille, France.

<sup>2</sup> APHM Hôpital La Conception, Pôle femmes-parents-enfants, Centre clinico-biologique d'assistance médicale à la procréation-CECOS, 13385 Marseille cedex 05

\*Correspondence: michael.mitchell@univ-amu.fr

Tel: (+33) 4 913 24 909

Fax: (+33) 4 918 04 319

**Abstract**

1  
2  
3  
4  
5 A recent study of 17 men with decapitated spermatozoa found that 8 carried two rare *SUN5*  
6 alleles, and concluded that loss of *SUN5* function causes acephalic spermatozoa syndrome.  
7  
8 Consistent with this, the *SUN5* protein localises to the head-tail junction in normal  
9 spermatozoa, and *SUN* proteins are known to form links between the cytoskeleton and the  
10 nucleus. However, six of the ten *SUN5* variants reported were missense with an unknown  
11 effect on function, and only one man carried two certain loss-of-function (LOF) alleles:  
12 p.Ser284\* homozygosity. A potential exonic splice mutation, homozygous variant  
13 p.Gly114Arg, was not tested experimentally. Thus definitive proof that loss of *SUN5* function  
14 causes acephalic spermatozoa syndrome is still lacking. Based on these findings, we  
15 determined the sequence of the *SUN5* gene in three related men of North African origin with  
16 decapitated spermatozoa. We found all three men to be homozygous for a deletion-insertion  
17 variant (GRCh38 - chr20:32995761\_32990672delinsTGGT) that removes 5090 base pairs  
18 including exon 8 of *SUN5*, predicting the frameshift, p.(Leu143Serfs\*30), and the inactivation  
19 of *SUN5*. Thus we present the second case where acephalic spermatozoa syndrome is  
20 associated with two LOF alleles of *SUN5*. We also show that the p.Gly114Arg variant has a  
21 strong inhibitory effect on splicing in HeLa cells, evidence that homozygosity for  
22 p.Gly114Arg is causal of acephalic spermatozoa syndrome through loss of *SUN5* function.  
23  
24 Our results and those of the previous study together show that *SUN5* is required for the  
25 formation of the sperm head-tail junction and male fertility.  
26  
27  
28  
29  
30  
31  
32  
33  
34  
35  
36  
37  
38  
39  
40  
41  
42  
43  
44  
45  
46  
47  
48  
49  
50  
51  
52  
53  
54  
55  
56  
57  
58  
59  
60

## Introduction

It has been estimated that 14% of couples fail to conceive a child naturally after one year, and compromised male fertility is identified in 60% of these couples (1). Assisted reproduction technology (ART) will provide a therapeutic solution for half of these couples, and today accounts for 1-3% of live births in developed countries (2). Despite this the genetic causes of male infertility and their pathophysiological consequences for gamete quality are known in few cases. The identification of genetic causes will be imperative for the development of personalised treatments, the extension of treatment to more infertile couples, and informed risk assessment for individuals conceived by ART and their descendants. Presently, the most solid progress has been made in uncovering the genetic basis of teratozoospermia.

Monomorphic teratozoospermia is a group of rare conditions in which almost all the spermatozoa share a specific malformation that renders them non-functional. Over the last decade, homozygous loss-of-function (LOF) mutations have been identified in four genes for three teratozoospermia phenotypes: *AURKC* (MIM 603495) in large-headed multiflagellar polyploid spermatozoa (MIM 243060) (3), *DPY19L2* (MIM 613893) (4, 5) in globozoospermia (MIM 613958), *SPATA16* (MIM 609856) (6) in globozoospermia (MIM 102530), and *DNAH1* (MIM 603332) in MMAF (multiple morphological abnormalities of the flagellum) (7).

In a recent study of seventeen Chinese men with acephalic spermatozoa syndrome (MIM 617187), rare coding variants in the spermatid-specific *SUN5* gene (MIM 613942) were found homozygous or compound heterozygous in eight cases (8). In this syndrome the sperm head frequently separates from the flagellum, because the sperm head-tail junction is absent (9, 10). *SUN5* is an attractive candidate for a gene involved in the attachment of the flagellum to the sperm head because the protein localises to the vicinity of the head-tail

1  
2  
3 junction in spermatozoa (8, 11), and SUN family proteins are known to be part of links  
4  
5 between the inner nuclear membrane and the cytoskeleton (12).  
6

7 Six of the ten *SUN5* variants reported are missense with an unknown effect on the  
8  
9 protein. Although one variant, p.Gly114Arg (c.340G>A), was predicted to affect splicing, this  
10  
11 was not confirmed experimentally. The other four variants were certainly LOF variants:  
12  
13 intronic splice site (c.425+1G>A), frameshift (p.Val128Serfs\*7) and two nonsense mutations  
14  
15 (p.Trp72\* and p.Ser284\*). However, only one man was homozygous for a certain LOF  
16  
17 variant, p.Ser284\*, and the variants identified in *SUN5* were designated as causal based on  
18  
19 the high frequency of men carrying two rare *SUN5* alleles in the study group. In three cases  
20  
21 with a missense variant, the *SUN5* protein was not detected at the head-tail junction, although  
22  
23 it was present in spermatozoa from two control patients with acephalic spermatozoa syndrome  
24  
25 but without a variant in *SUN5* (8). This is consistent with these missense variants being LOF,  
26  
27 but the possibility that *SUN5* absence is secondary to junction loss cannot be completely  
28  
29 excluded, because the pathological mechanism in the acephalic controls is unknown, and  
30  
31 could differ from that in the *SUN5* variant cases. Furthermore six of the *SUN5* variants are  
32  
33 present at a low frequency in the gnomAD database (13), and four predominate in, or are  
34  
35 exclusive to, the East Asian group, including the most frequent, the p.Val128Serfs\*7 LOF  
36  
37 variant, which is present in 1:140 individuals. Indeed overall in gnomAD approximately  
38  
39 1:100 individuals from the East Asian group are heterozygous for one of the rare variants  
40  
41 designated as causal of acephalic spermatozoa syndrome. If all these variants were LOF, this  
42  
43 sperm phenotype would be expected to have a high incidence among infertile men in East  
44  
45 Asia, but this has never been reported, raising a doubt about the pathogenicity of some *SUN5*  
46  
47 missense variants.  
48  
49  
50  
51  
52

53 Thus although the case is persuasive that the loss of *SUN5* function causes a failure of  
54  
55 the sperm head-tail junction, definitive proof requires a second case where two certain LOF  
56  
57  
58  
59  
60

1  
2  
3 *SUN5* alleles are found associated with acephalic spermatozoa syndrome. We therefore  
4  
5 searched for pathogenic variants in the *SUN5* gene in three men with decapitated  
6  
7 spermatozoa.  
8  
9

## 10 11 12 **Results**

### 13 14 **Homozygous deletion of exon 8 of *SUN5***

15  
16 Two brothers (13-1662 and 13-2016) and their cousin (13-4335) were diagnosed with  
17  
18 acephalic spermatozoa syndrome following consultation for primary couple infertility at our  
19  
20 clinic. They are members of a consanguineous family from Algeria (Fig. 1). We have  
21  
22 previously described the phenotype of the two brothers (14), and clinical details for all three  
23  
24 men are summarized in Table 1. Based on the recent report of the association of *SUN5*  
25  
26 variants with acephalic spermatozoa (8), we sequenced the coding region of *SUN5* in two of  
27  
28 the affected individuals (brother 13-1662 and cousin 13-4335) to determine if mutation in  
29  
30 *SUN5* was responsible for their infertility. We found no single nucleotide variants, but we  
31  
32 failed to amplify exon 8. An additional marker tested in the middle of intron 8 was also  
33  
34 negative in the three men, confirming the existence of a homozygous deletion in the three  
35  
36 affected men (Fig. 2A). To further define the deletion, we amplified from upstream of exon 7  
37  
38 to downstream of exon 9 (7 kb) and upstream of exon 8 to downstream of exon 9 (6.2 kb) and  
39  
40 obtained shorter than expected bands of, respectively, 2 kb (not shown) and 1.2 kb (Fig 2A).  
41  
42 The 1.2 kb fragment was sequenced across the deletion junction revealing the deleted segment  
43  
44 to cover 5090 bp that include the entirety of exon 8 (Fig. 2 and Fig. S1). There is an insertion  
45  
46 of four bases, TGGT, at the junction of the breakpoint. There are no blocks of homology at  
47  
48 the breakpoints, showing that the deletion was not mobilised by unequal crossing-over and is  
49  
50 unlikely to be a recurrent event. The deletion of exon 8 is predicted to inactivate *SUN5* as it  
51  
52 will induce a frameshift, p.(Leu143Serfs\*30), making the transcript lacking exon 8 a substrate  
53  
54  
55  
56  
57  
58  
59  
60

1  
2  
3 for NMD (nonsense mediated decay). Using a PCR test that amplifies the deletion allele  
4 specifically, we did not detect the *SUN5* deletion in 150 infertile men without the acephalic  
5 sperm phenotype recruited from our clinic, showing it to be a rare variant.  
6  
7

### 8 9 ***SUN5* exonic variant c.340G>A (p.Gly114Arg) inhibits splicing of exon 5**

10  
11 To further strengthen the evidence that loss of *SUN5* function is a cause of acephalic  
12 spermatozoa syndrome, we investigated the effect of the c.340G>A (p.Gly114Arg) variant on  
13 splicing. This rare variant affects the last base of exon 5 and was previously reported in the  
14 homozygous state in a man with decapitated spermatozoa (8). We made two expression  
15 constructs, one with the variant (SUN5-G114R) and the other without (SUN5-WT), in which  
16 the genomic region from exon 4 to exon 6 of *SUN5* is under the transcriptional control of the  
17 CMV promoter. We transfected SUN5-G114R and SUN5-WT into HeLa cells and assessed  
18 the splicing of exons 4, 5 and 6 by RT-PCR with primers in exon 4 and in exon 6. Our results  
19 show that both constructs produce transcripts lacking exon 5, but that only SUN5-WT  
20 produces transcripts that include exon 5 (Fig 3). The transcripts without exon 5 from the  
21 SUN5-WT construct are certainly artefacts of our cellular assay system, since the same  
22 transcript was not amplified from human testis cDNA (Fig. 3). The absence of transcripts that  
23 include exon 5 from the SUN5-G114R construct shows that p.Gly114Arg greatly diminishes  
24 splicing efficiency, and will lead to exclusion of exon 5 (62 bases) from the mature *SUN5*  
25 transcript. This will cause a frameshift preventing expression of the *SUN5* protein.  
26  
27  
28  
29  
30  
31  
32  
33  
34  
35  
36  
37  
38  
39  
40  
41  
42  
43  
44  
45  
46

### 47 **Discussion**

48  
49 Here we present the second homozygous LOF mutation in *SUN5*, in three related men of  
50 North African origin who produce decapitated spermatozoa. We also provide functional  
51 evidence that the previously published variant p.Gly114Arg strongly affects splicing and will  
52 result in a reduction of *SUN5* protein levels. Taken together with the recent report of biallelic  
53  
54  
55  
56  
57  
58  
59  
60

1  
2  
3 *SUN5* variants in Chinese men with acephalic sperm syndrome, our findings establish that  
4  
5 loss of *SUN5* function causes a failure of head-tail junction formation during spermiogenesis,  
6  
7 and show that LOF mutation of *SUN5* is also a cause of acephalic sperm phenotype in non-  
8  
9 Asian populations.  
10

11  
12 The two brothers in our study have had treatment of their infertility by ICSI (14),  
13  
14 using spermatozoa with the head and tail still joined. Despite the severity of the sperm  
15  
16 phenotype in these men in whom the proximal centriole is not anchored to the nucleus (14),  
17  
18 ICSI resulted in the development of good quality embryos in both cases. Following embryo  
19  
20 transfer, pregnancy was obtained for each brother, resulting in the birth of a healthy girl and  
21  
22 triplets, including identical twins. Thus for infertile men who produce decapitated  
23  
24 spermatozoa consequent to the loss of *SUN5* function, ICSI can be envisaged as a therapeutic  
25  
26 solution. However a full evaluation of the efficiency of ICSI with *SUN5*-deficient  
27  
28 spermatozoa, and the associated risks, will require additional cases and the long-term follow-  
29  
30 up of the children conceived.  
31  
32

33  
34 Several knockout mouse models share key features with acephalic spermatozoa  
35  
36 syndrome in human: isolated male infertility, the presence of epididymal spermatozoa and an  
37  
38 extreme fragility of the head-tail junction. The mouse genes inactivated in these models are  
39  
40 *Hook1* (15), *Oaz3* (16), *Odf1* (17) and *Spata6* (18). Like *SUN5*, all are expressed specifically  
41  
42 in the testis, and represent good candidates for genes that could carry causal mutations in  
43  
44 unresolved cases of human male infertility with decapitated spermatozoa.  
45  
46

47  
48 In conclusion, our results establish that *SUN5* plays a key role in the attachment of the  
49  
50 flagellum to the sperm head and demonstrate the prognostic value of testing for *SUN5*  
51  
52 mutations in men with decapitated spermatozoa seeking to father a child.  
53  
54

## 55 56 **Materials and methods** 57 58 59 60



## Patients

Patient 13-4335 and his wife were 34 and 31 years old, respectively, and had been trying to have a child for three years without success. Both had a normal karyotype, the patient was 46,XY,21ps+ and his wife's was 46, XX. Both were healthy with no history of significant illness. His wife had regular menses, and her hysterosalpingography and hormone assessment was normal. Two semen samples from patient 13-4335, collected after three days of abstinence, were analysed and revealed severe oligozoospermia and complete teratozoospermia (Table 1). While there were only  $2.3 \times 10^6$  intact spermatozoa/ml in each sample, there were, respectively,  $41 \times 10^6$  and  $64 \times 10^6$  headless flagella/ml. These characteristics are similar to those of his cousins (13-1662 and 13-2016) and are typical of acephalic spermatozoa syndrome.

The clinical details of the two brothers, 13-1662 et 13-2016, have been described elsewhere (14), but are summarised for comparison with those of 13-4335 in Table 1. The three men gave their informed consent for their samples to be used in the search for the genetic cause of their infertility.

## *SUN5* sequencing and deletion interval characterisation

The *SUN5* gene was sequenced with the BigDye v1.1 terminator cycle sequencing kit (Applied Biosystems) following amplification of the coding exons with specific flanking primers (Table S1). PCR products for sequencing *SUN5* and deletion mapping were amplified with Q5 Taq polymerase (New England Biolabs). The allele-specific PCR assay used to screen controls was performed as a duplex PCR with primers o5226 and o5340 that flank the deleted segment around exon 8 (deletion allele = 490 base pairs) and o5216 and o5217 that flank exons 2 and 3 of *SUN5* (positive control = 802 bp).

## Transfection of *SUN5*-WT and *SUN5*-G114R constructs

1  
2  
3 The segment from exon 4 to exon 6 of the *SUN5* gene was amplified from genomic DNA  
4 from a fertile man using primers o5336 (exon 4) and o5337 (exon 6) with, respectively *NheI*  
5 and *XhoI* sites added at their 5' end. To obtain the SUN5-WT construct the genomic fragment  
6 was cloned into the *NheI* and *XhoI* sites of pcDNA3.1-cGFP (pcDNA3.1+ - Life  
7 Technologies – with a C-terminal GFP cassette cloned between *XhoI* and *ApaI* sites). For the  
8 SUN5-G114R construct, a SUN5-G114R insert was cloned into pcDNA3.1-cGFP, following  
9 its amplification from SUN5-WT using two-step PCR-fusion with flanking primers o5336  
10 and o5337 and central primers o5338 and o5339 specifying the p.Gly114Arg variant. The  
11 sequence of both constructs was determined and showed that neither contained any errors. All  
12 PCR steps used the Q5 DNA polymerase (New England Biolabs).  
13  
14  
15  
16  
17  
18  
19  
20  
21  
22  
23  
24

25 Constructs were transfected into HeLa cells using JetPrime and the RNAs harvested after 24  
26 h. RNA was reverse-transcribed to cDNA using the GFP-specific primer o5374 and the PCR  
27 performed using primers o5336 and o5337.  
28  
29  
30  
31  
32  
33

### 34 **Acknowledgements**

35 We are grateful to the patients who gave their informed consent to the use of their samples for  
36 research. We thank C. Metton and M.J. Fays-Bernardin for technical assistance and  
37 Germetheque support. This work was supported by grants from the Agence de la  
38 biomédecine, AOR “AMP, diagnostic prenatal et diagnostic génétique” 2013, Inserm and  
39 Aix-Marseille Université. The Germetheque biobank was supported by grants from the ANR  
40 (Agence Nationale de la Recherche), the Agence de la biomédecine, the Centre Hospitalier  
41 Universitaire of Toulouse and APHM (Assistance Publique Hôpitaux de Marseille). RAE was  
42 funded by the Islamic Development Bank and the Lebanese Association for Scientific  
43 Research (LASeR).  
44  
45  
46  
47  
48  
49  
50  
51  
52  
53  
54  
55  
56  
57  
58  
59  
60

### Conflict of interest

All authors declare no conflict of interest

### References

1. Thonneau, P., Marchand, S., Tallec, A., Ferial, M.L., Ducot, B., Lansac, J., Lopes, P., Tabaste, J.M. and Spira, A. (1991) Incidence and main causes of infertility in a resident population (1,850,000) of three French regions (1988-1989). *Hum. Reprod. Oxf. Engl.*, **6**, 811–816.
2. European Society of Human Reproduction and Embryology (ESHRE) (2014) Guidelines and legal, ART fact sheet, <http://www.eshre.eu/Guidelines-and-Legal/ART-fact-sheet.aspx>.
3. Dieterich, K., Soto Rifo, R., Faure, A.K., Hennebicq, S., Ben Amar, B., Zahi, M., Perrin, J., Martinez, D., Sèle, B., Jouk, P.-S., *et al.* (2007) Homozygous mutation of AURKC yields large-headed polyploid spermatozoa and causes male infertility. *Nat. Genet.*, **39**, 661–665.
4. Kosciński, I., Elinati, E., Fossard, C., Redin, C., Muller, J., Velez de la Calle, J., Schmitt, F., Ben Khelifa, M., Ray, P., Kilani, Z., *et al.* (2011) DPY19L2 deletion as a major cause of globozoospermia. *Am. J. Hum. Genet.*, **88**, 344–350.
5. Harbuz, R., Zouari, R., Pierre, V., Ben Khelifa, M., Kharouf, M., Coutton, C., Merdassi, G., Abada, F., Escoffier, J., Nikas, Y., *et al.* (2011) A recurrent deletion of DPY19L2 causes infertility in man by blocking sperm head elongation and acrosome formation. *Am. J. Hum. Genet.*, **88**, 351–361.
6. Dam, A.H.D.M., Kosciński, I., Kremer, J.A.M., Moutou, C., Jaeger, A.-S., Oudakker, A.R., Tournaye, H., Charlet, N., Lagier-Tourenne, C., van Bokhoven, H., *et al.* (2007) Homozygous mutation in SPATA16 is associated with male infertility in human globozoospermia. *Am. J. Hum. Genet.*, **81**, 813–820.
7. Ben Khelifa, M., Coutton, C., Zouari, R., Karaouzène, T., Rendu, J., Bidart, M., Yassine,

- 1  
2  
3 S., Pierre, V., Delaroche, J., Hennebicq, S., *et al.* (2014) Mutations in DNAH1, which  
4 encodes an inner arm heavy chain dynein, lead to male infertility from multiple  
5 morphological abnormalities of the sperm flagella. *Am. J. Hum. Genet.*, **94**, 95–104.  
6  
7  
8  
9  
10 8. Zhu, F., Wang, F., Yang, X., Zhang, J., Wu, H., Zhang, Z., Zhang, Z., He, X., Zhou, P.,  
11 Wei, Z., *et al.* (2016) Biallelic SUN5 Mutations Cause Autosomal-Recessive Acephalic  
12 Spermatozoa Syndrome. *Am. J. Hum. Genet.*, 10.1016/j.ajhg.2016.08.004.  
13  
14  
15  
16 9. Perotti, M.E., Giarola, A. and Gioria, M. (1981) Ultrastructural study of the decapitated  
17 sperm defect in an infertile man. *J. Reprod. Fertil.*, **63**, 543–549.  
18  
19  
20 10. Chemes, H.E., Puigdomenech, E.T., Carizza, C., Olmedo, S.B., Zanchetti, F. and Hermes,  
21 R. (1999) Acephalic spermatozoa and abnormal development of the head-neck attachment: a  
22 human syndrome of genetic origin. *Hum. Reprod. Oxf. Engl.*, **14**, 1811–1818.  
23  
24  
25  
26  
27 11. Yassine, S., Escoffier, J., Abi Nahed, R., Nahed, R.A., Pierre, V., Karaouzene, T., Ray,  
28 P.F. and Arnoult, C. (2015) Dynamics of Sun5 localization during spermatogenesis in wild  
29 type and Dpy19l2 knock-out mice indicates that Sun5 is not involved in acrosome attachment  
30 to the nuclear envelope. *PloS One*, **10**, e0118698.  
31  
32  
33  
34  
35  
36 12. Tapley, E.C. and Starr, D.A. (2013) Connecting the nucleus to the cytoskeleton by SUN-  
37 KASH bridges across the nuclear envelope. *Curr. Opin. Cell Biol.*, **25**, 57–62.  
38  
39  
40  
41 13. Lek, M., Karczewski, K.J., Minikel, E.V., Samocha, K.E., Banks, E., Fennell, T.,  
42 O'Donnell-Luria, A.H., Ware, J.S., Hill, A.J., Cummings, B.B., *et al.* (2016) Analysis of  
43 protein-coding genetic variation in 60,706 humans. *Nature*, **536**, 285–291.  
44  
45  
46  
47 14. Porcu, G., Mercier, G., Boyer, P., Achard, V., Banet, J., Vasserot, M., Melone, C., Saias-  
48 Magnan, J., D'Ercole, C., Chau, C., *et al.* (2003) Pregnancies after ICSI using sperm with  
49 abnormal head-tail junction from two brothers: case report. *Hum. Reprod. Oxf. Engl.*, **18**,  
50 562–567.  
51  
52  
53  
54  
55  
56 15. Mendoza-Lujambio, I., Burfeind, P., Dixkens, C., Meinhardt, A., Hoyer-Fender, S., Engel,  
57  
58  
59  
60

1  
2  
3 W. and Neesen, J. (2002) The Hook1 gene is non-functional in the abnormal spermatozoon  
4 head shape (azh) mutant mouse. *Hum. Mol. Genet.*, **11**, 1647–1658.

5  
6  
7 16. Tokuhiko, K., Isotani, A., Yokota, S., Yano, Y., Oshio, S., Hirose, M., Wada, M., Fujita,  
8 K., Ogawa, Y., Okabe, M., *et al.* (2009) OAZ-t/OAZ3 is essential for rigid connection of  
9 sperm tails to heads in mouse. *PLoS Genet.*, **5**, e1000712.

10  
11  
12 17. Yang, K., Meinhardt, A., Zhang, B., Grzmil, P., Adham, I.M. and Hoyer-Fender, S.  
13 (2012) The small heat shock protein ODF1/HSPB10 is essential for tight linkage of sperm  
14 head to tail and male fertility in mice. *Mol. Cell. Biol.*, **32**, 216–225.

15  
16  
17 18. Yuan, S., Stratton, C.J., Bao, J., Zheng, H., Bhetwal, B.P., Yanagimachi, R. and Yan, W.  
18 (2015) Spata6 is required for normal assembly of the sperm connecting piece and tight head-  
19 tail conjunction. *Proc. Natl. Acad. Sci. U. S. A.*, **112**, E430-439.

## 20 21 22 23 24 25 26 27 28 29 30 31 32 **Figure Titles and Legends**

33  
34 **Figure 1:** Family pedigree of the three infertile men presenting with acephalic spermatozoa  
35 syndrome (MIM: 617187). Infertile men: 1) 13-1662; 2) 13-2016; 3) 13-4335.

36  
37  
38  
39  
40  
41 **Figure 2: Homozygous deletion of exon 8 from SUN5 in two brothers and a cousin with**  
42 **acephalic sperm syndrome.** A. Mapping of the SUN5 deletion using locus-specific PCR.

43 Results are shown for the three affected men, a fertile man and H<sub>2</sub>O, following  
44 electrophoresis on ethidium bromide-stained agarose gels. Sample order for all gels is as  
45 specified on the gel at the left. Affected men: 1) - 13-1662, 2) - 13-2016, 3) - 13-4335.

46  
47  
48  
49  
50  
51 Primers are shown for each test (oNNNN) and their approximate position in SUN5 is  
52 indicated by a white or black shape. B. Schematic representation of the SUN5 deletion and  
53  
54  
55  
56  
57  
58  
59  
60

1  
2  
3 the sequence of the deletion junction. Deletion coordinates are based on the NCBI assembly  
4  
5 GRCh38. The corresponding sequence electropherogram is available in Fig. S1.  
6  
7  
8

9  
10 **Figure 3: The *SUN5* p.Gly114Arg variant reduces splicing efficiency in HeLa cells.**

11 HeLa cells were transfected with two constructs in which the genomic region of *SUN5* from  
12 exon 4 to exon 6 (3.6 kb) was under the control of the CMV promoter in pcDNA3.1+. There  
13  
14 is one nucleotide difference between these constructs: *SUN5*-G114R carries the p.Gly114Arg  
15  
16 variant, and *SUN5*-WT has the wild-type sequence. 24 h after transfection, RNA was  
17  
18 extracted from cells, treated with DNase-I and RT-PCR performed with primers o5336 and  
19  
20 o5337 from exon 4 and exon 6, respectively. Normal testis RNA (Testis-WT) and H<sub>2</sub>O were  
21  
22 included as controls. The expected sizes are indicated to the right of the gel: 206 bp for  
23  
24 normal splicing including exon 5, and 143 bp if exon 5 is excluded. The asterisk indicates the  
25  
26 200 bp band of the size marker (M) (1 kb plus - Life Technologies).  
27  
28  
29  
30  
31  
32  
33

34 **Figure S1: Schematic representation of the *SUN5* deletion with the electropherogram of**  
35  
36 **the sequence across the deletion junction.** The position of the primers used to amplify the  
37  
38 junction fragment are shown – square = o5226 and triangle = o5229.  
39  
40  
41  
42  
43  
44  
45  
46  
47  
48  
49  
50  
51  
52  
53  
54  
55  
56  
57  
58  
59  
60

Table

Patients	13-1662		13-2016		13-4335	
Age	36		25		34	
Spermogram	A	B	A	B	A	B
Sperm concentration (10 <sup>6</sup> /ml)	4.5	0.5	1.7	1.0	2.3	2.3
Motility a/b/c <sup>a</sup> (%)	0/20/80	0/10/90	0/15/85	0/30/70	5/5/90	5/20/75
Acephalic sperm (sperm flagella) (10 <sup>6</sup> /ml)	45	83	7.9	16.8	41	64
Normal forms <sup>b</sup>	0	2	0	0	0	0
Vitality (%)	40	40	53	53	72	40

<sup>a</sup>: WHO criteria (2010). <sup>b</sup>: David criteria.

**Table 1:** Sperm parameters of the three related infertile men carrying a homozygous deletion within the SUN5 gene.

#### Abbreviations

ART: Assisted reproduction technology

AURKC: Aurora kinase C

bp: base pair

CMV: cytomegalovirus

delins: deletion/insertion

DNAH1: Dynein axonemal heavy chain 1

DPY19L2: Dpy-19 like 2

1  
2  
3 fs: frameshift

4  
5 GFP: Green fluorescent protein

6  
7 Hook1: Hook microtubule tethering protein 1

8  
9 ICSI: Intra cytoplasmic sperm injection

10  
11 ins: insertion

12  
13 kb: kilobase

14  
15 LOF: Loss-of-function

16  
17 MMAF: multiple morphological abnormalities of the flagellum

18  
19 ml: millilitre

20  
21 NMD: nonsense mediated decay

22  
23 Oaz3: Ornithine decarboxylase antizyme 3

24  
25 Odf1: Outer dense fiber of sperm tails 1

26  
27 PCR: Polymerase chain reaction

28  
29 Spata6: Spermatogenesis associated protein 6

30  
31 SPATA16: Spermatogenesis associated protein 16

32  
33 SUN5: Sad1 and UNC84 Domain Containing 5

34  
35 WT: Wild type



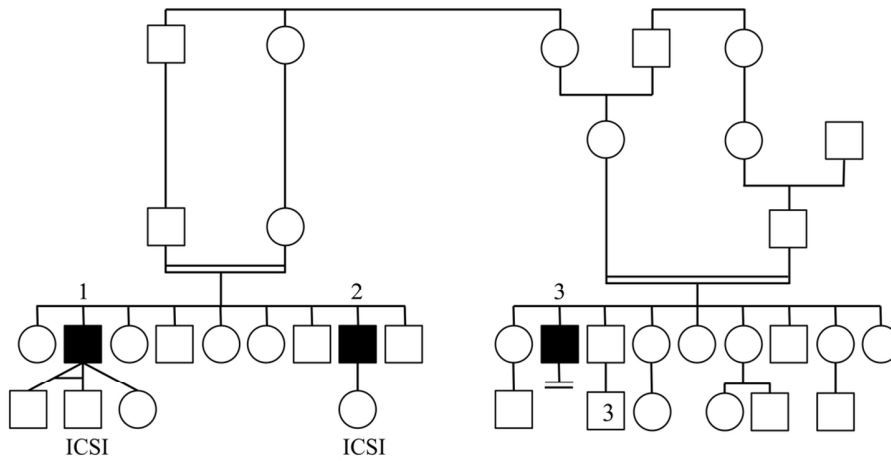


Figure 1: Family pedigree of the three infertile men presenting with acephalic spermatozoa syndrome (MIM: 617187). Infertile men: 1) 13-1662; 2) 13-2016; 3) 13-4335.

109x73mm (300 x 300 DPI)

Review

1  
2  
3  
4  
5  
6  
7  
8  
9  
10  
11  
12  
13  
14  
15  
16  
17  
18  
19  
20  
21  
22  
23  
24  
25  
26  
27  
28  
29  
30  
31  
32  
33  
34  
35  
36  
37  
38  
39  
40  
41  
42  
43  
44  
45  
46  
47  
48  
49  
50  
51  
52  
53  
54  
55  
56  
57  
58  
59  
60

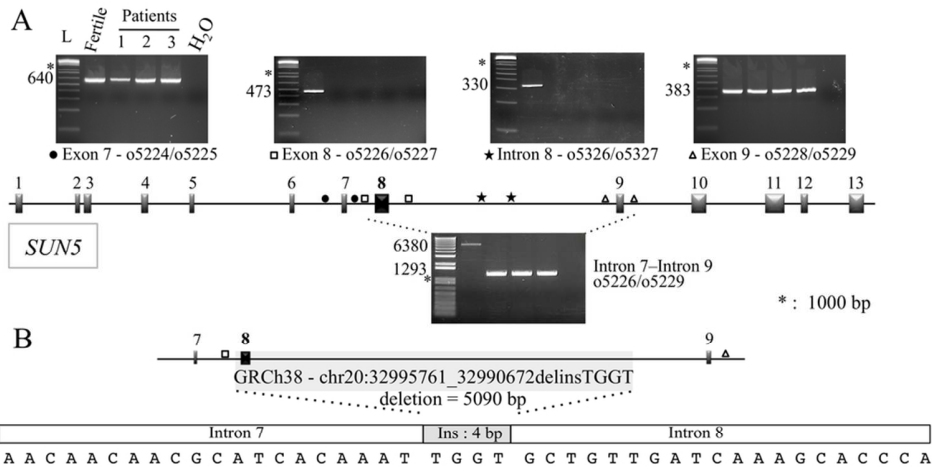
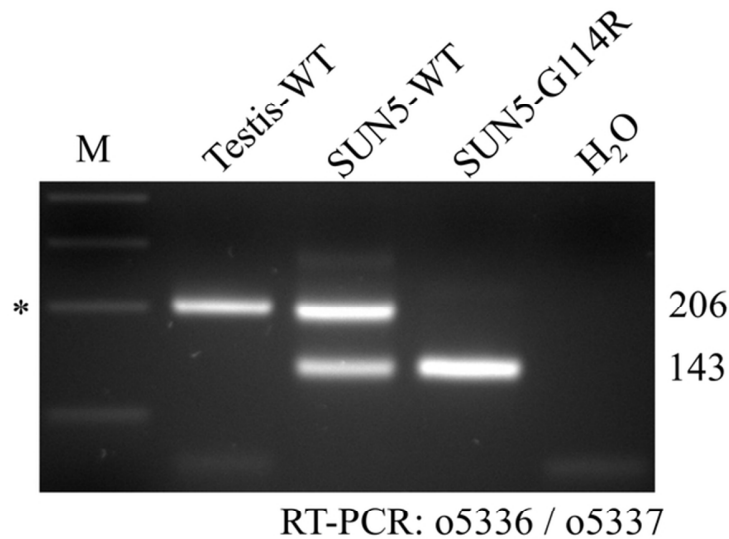


Figure 2: Homozygous deletion of exon 8 from SUN5 in two brothers and a cousin with acephalic sperm syndrome. A. Mapping of the SUN5 deletion using locus-specific PCR. Results are shown for the three affected men, a fertile man and H<sub>2</sub>O, following electrophoresis on ethidium bromide-stained agarose gels. Sample order for all gels is as specified on the gel at the left. Affected men: 1) - 13-1662, 2) - 13-2016, 3) - 13-4335. Primers are shown for each test (●/□/★/▲) and their approximate position in SUN5 is indicated by a white or black shape. B. Schematic representation of the SUN5 deletion and the sequence of the deletion junction. Deletion coordinates are based on the NCBI assembly GRCh38. The corresponding sequence electropherogram is available in Fig. S1.

88x49mm (300 x 300 DPI)

review



35  
36  
37  
38  
39  
40  
41  
42  
43  
44  
45  
46  
47  
48  
49  
50  
51  
52  
53  
54  
55  
56  
57  
58  
59  
60

Figure 3: The SUN5 p.Gly114Arg variant reduces splicing efficiency in HeLa cells. HeLa cells were transfected with two constructs in which the genomic region of SUN5 from exon 4 to exon 6 (3.6 kb) was under the control of the CMV promoter in pcDNA3.1+. There is one nucleotide difference between these constructs: SUN5-G114R carries the p.Gly114Arg variant, and SUN5-WT has the wild-type sequence. 24 h after transfection, RNA was extracted from cells, treated with DNase-I and RT-PCR performed with primers o5336 and o5337 from exon 4 and exon 6, respectively. Normal testis RNA (Testis-WT) and H<sub>2</sub>O were included as controls. The expected sizes are indicated to the right of the gel: 206 bp for normal splicing including exon 5, and 143 bp if exon 5 is excluded. The asterisk indicates the 200 bp band of the size marker (M) (1 kb plus - Life Technologies).

72x60mm (300 x 300 DPI)

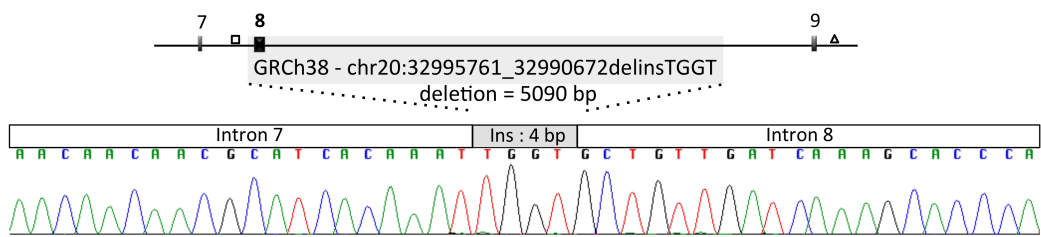


Figure S1: Schematic representation of the SUN5 deletion with the electropherogram of the sequence across the deletion junction. The position of the primers used to amplify the junction fragment are shown – square = o5226 and triangle = o5229.

Primer Number	Target	Primer sequence
<b><i>SUN5</i> gene sequencing</b>		
o5214	Exon 1f	CACCAGCTCCCAGAGTTCC
o5215	Exon 1r	GTGCCCAGAGATAGGCATCA
o5216	Exon 2-3f	GGTAGGAGCAGACAAAGGAAC
o5217	Exon 2-3r	CCTCTCCAGCCACCAAAGA
o5218	Exon 4f	GTGCCACCTGTAGTGACCT
o5219	Exon 4r	GTGCAAATGTGTGGAGGTGG
o5220	Exon 5f	CTGCCACTCATGAGCTCCCA
o5221	Exon 5r	GGAGGGAGGAGATTCTTTG
o5222	Exon 6f	CAGCCAGCATGGAGATCATA
o5223	Exon 6r	TCTGGGTCAAGTCAGGAACTG
o5224	Exon 7f	GAGATAGGAGGCTAGGTGAA
o5225	Exon 7r	TGACTTGCCTAAGGTCAGCC
o5226	Exon 8f	CTGATGAATGGGTCCAGGGATG
o5227	Exon 8r	CCCAGCCAAACTATCAACCA
o5228	Exon 9f	GGTCAGGATGGCTTTGTGTC
o5229	Exon 9r	CCAGCTTGGAACAGAGGATG
o5230	Exon 10f	ACATGGCTGTAATCACATTTCC
o5231	Exon 10r	GCCCATGCCAGTGTAGTC
o5232	Exon 11f	GAAGTGAAGTAAGGCTTACC
o5233	Exon 11r	GCCTTAACCAAGCTGCATTC
o5234	Exon 12f	CTCTGACTCCCAGGCCAGTG
o5235	Exon 12r	GCCACCCACTACGGAGACTCT
o5236	Exon 13f	GTCTGTCTTCTGGCCTCAG
o5237	Exon 13r	ACCCGGAATGGGATCAACC
<b><i>SUN5</i> deletion mapping</b>		
o5326	Intron 8f	GGAGTCCCCAGGGAATATGCAG
o5327	Intron 8r	GTGGCCCTGGAGACAGCAG
o5340	Intron 8r	TCTGCTGCCAGATGCGGATG
<b>p.G114R expression construct and reverse transcription (RT) primers</b>		
o5336	Exon 4f_ <i>NheI</i>	<u>AGCCTGGCTAGCATGGCCTGGTTACCTGTTTTGCCTG</u>
o5337	Exon 6r_ <i>XhoI</i>	<u>AGGTTCTCGAGCTGCCAGACTTTCATTTTCGATGGTAAG</u>
o5338	Exon 5f_ <u>G&gt;A</u> to add p.G114R variant	CTGTGCTTTC <u>AGTGTGTCCCAG</u>
o5339	Exon 5r_ <u>C&gt;T</u> to add p.G114R variant	CTGGGACACACT <u>GAAAGCACAG</u>
o5374	eGFPr_RT	TGGTGCAGATGAACTTCA

**Table S1:** Primer sequences.