



HAL
open science

Dirichlet spectrum of the Fichera layer

Monique Dauge, Yvon Lafranche, Thomas Ourmières-Bonafos

► **To cite this version:**

Monique Dauge, Yvon Lafranche, Thomas Ourmières-Bonafos. Dirichlet spectrum of the Fichera layer. 2017. hal-01645083v1

HAL Id: hal-01645083

<https://hal.science/hal-01645083v1>

Preprint submitted on 22 Nov 2017 (v1), last revised 19 Jul 2018 (v2)

HAL is a multi-disciplinary open access archive for the deposit and dissemination of scientific research documents, whether they are published or not. The documents may come from teaching and research institutions in France or abroad, or from public or private research centers.

L'archive ouverte pluridisciplinaire **HAL**, est destinée au dépôt et à la diffusion de documents scientifiques de niveau recherche, publiés ou non, émanant des établissements d'enseignement et de recherche français ou étrangers, des laboratoires publics ou privés.

DIRICHLET SPECTRUM OF THE FICHERA LAYER

MONIQUE DAUGE, YVON LAFRANCHE, AND THOMAS OURMIÈRES-BONAFOS

ABSTRACT. We investigate the spectrum of the three-dimensional Dirichlet Laplacian in a prototypical infinite polyhedral layer, that is formed by three perpendicular quarter-plane walls of constant width joining each other. Such a domain contains six edges and two corners. It is a canonical example of what is called a non-smooth conical layer and we name it after Fichera because near the non-convex corner, it coincides with the famous Fichera cube that illustrates the interaction between edge and corner singularities. We show that the essential spectrum of the Laplacian on such a domain is a half-line and we characterize its minimum as the first eigenvalue of the two-dimensional Laplacian on a broken guide. By a Born-Oppenheimer type strategy, we also prove that its discrete spectrum is finite and that a lower bound is given by the ground state of a special Sturm-Liouville operator. By finite element computations, we exhibit exactly one eigenvalue under the essential spectrum threshold leaving a relative gap of 3%. We extend these results to a variant of the Fichera layer with rounded edges (for which we find a very small relative gap of 0.5%), and to a three-dimensional cross where the three walls are full thickened planes.

1. INTRODUCTION AND MAIN RESULTS

1.1. **Motivations.** In the usual three-dimensional Euclidean space, the term *layer* commonly denotes a tubular neighborhood of a reference surface. Such geometries are physically relevant because for example, in mesoscopic physics, properties of thin-films can be deduced by a spectral study of the Dirichlet Laplacian in layers.

From a mathematical point of view, such operators have been considered in [18, 10] and the main results can be roughly summed up as follows: under adequate geometric conditions on the reference surface the essential spectrum is a half-line of the form $[a, +\infty)$ ($a \in \mathbb{R}_+$) whereas the existence of bound states depends on curvature properties (such a behavior is reminiscent of the study of quantum waveguides, see for instance the pioneering works [22, 17]).

In fact, as mentioned in [18, 10] and specifically studied in [20], reference surfaces being circular conical layers exhibit an interesting behavior: they have infinitely many bound states and thus, they accumulate to the threshold of the essential spectrum. Moreover, we know that the accumulation rate is logarithmic as shown in [16].

Recently, in [29], it has been proved that the infiniteness of bound states and the logarithmic accumulation to the threshold of the essential spectrum still hold for conical layers constructed around any smooth reference conical surface (by smooth reference conical surface, we mean that the surface is smooth except in its vertex).

Then, a natural question is to know whether this structure of the spectrum is preserved if this smoothness hypothesis is violated. This is the very question we tackle in this paper for a reference surface that is a specific polyhedral cone and thus has edges. We show that the structure of the spectrum drastically differs from the smooth case: the threshold of the essential spectrum is lower than for smooth conical surfaces and there is only a finite number of bound states.

Before going any further, let us mention similar works about various realizations of the Laplacian interplaying with conical geometries. Schrödinger operators with singular potential, modeled by δ -interactions supported on smooth cones, are investigated in [4, 25] whereas the case of the Laplacian with Robin boundary conditions in smooth conical domains is dealt with in [8, 30]. Finally, for

problems related with polyhedral geometries, let us mention [7] where the magnetic Laplacian in three-dimensional corner domains is studied as well as [9] where the bottom of the essential spectrum of the Robin Laplacian is characterized for polyhedral cones.

1.2. Main results. As a prototype for infinite polyhedral layers including edges, we investigate the layer Λ obtained by removing the first octant $(\mathbb{R}_+)^3$ from the translated octant $(\mathbb{R}_+)^3 - (1, 1, 1)$ (see Figure 1, right), namely:

$$\Lambda = \{(\mathbb{R}_+)^3 - (1, 1, 1)\} \setminus (\overline{\mathbb{R}_+})^3. \quad (1.1)$$

(Here \mathbb{R}_+ denotes $(0, \infty)$). We name it after Fichera since its non-convex polyhedral corner sitting at the origin $(0, 0, 0)$ is a celebrated example of interaction between edge and corner singularities: this interaction is described in [13, § 17] and related numerical issues are addressed in [2, 1, 12] for instance. We are interested in the positive Dirichlet Laplacian \mathcal{L}_Λ posed on Λ . We will show that its spectral properties heavily depend on its two-dimensional analogue posed on the broken guide Γ of width 1 and angle $\frac{\pi}{2}$ (see Figure 1, left).

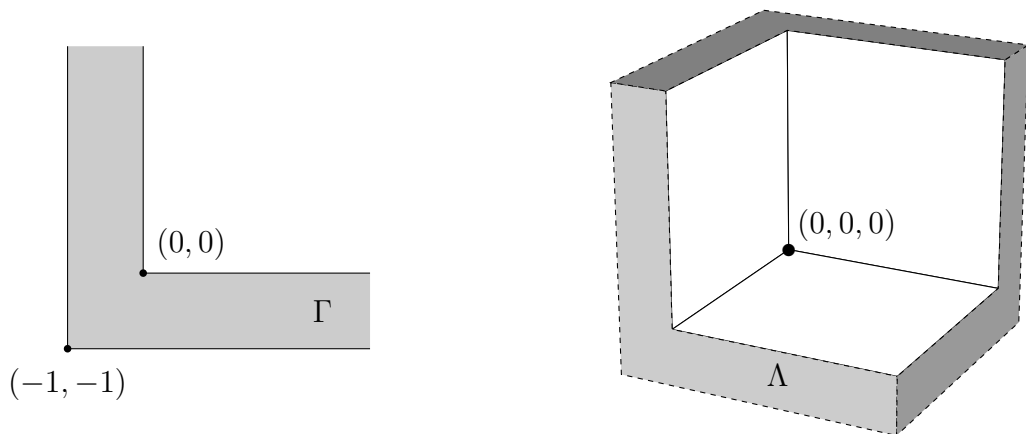


FIGURE 1. On the left: the two-dimensional broken guide Γ . On the right: a representation of the three-dimensional layer Λ .

Theorem 1.1 ([15, 28]). *With the broken guide $\Gamma = \{(\mathbb{R}_+)^2 - (1, 1)\} \setminus (\overline{\mathbb{R}_+})^2$ and \mathcal{L}_Γ the positive Dirichlet Laplacian on Γ , there holds:*

- i) *The essential spectrum of \mathcal{L}_Γ coincides with $[\pi^2, +\infty)$;*
- ii) *The operator \mathcal{L}_Γ has exactly one eigenvalue below its essential spectrum.*

It is proved in [15] that \mathcal{L}_Γ has a finite number of eigenvalues below its essential spectrum, and in [28] that this number is 1, as expected after semi-analytical calculations [19], or finite element approximation [15]. We are going to revisit this result later on, see Remark 2.2. Let $\lambda_1(\Gamma)$ be the first eigenvalue of \mathcal{L}_Γ . An approximate numerical value given in [15] is $\lambda_1(\Gamma) \simeq 0.929 \pi^2$. Our main result concerning the Fichera layer Λ is

Theorem 1.2. *With the Fichera layer $\Lambda = \{(\mathbb{R}_+)^3 - (1, 1, 1)\} \setminus (\overline{\mathbb{R}_+})^3$ and \mathcal{L}_Λ the positive Dirichlet Laplacian on Λ , there holds:*

- i) *The essential spectrum of \mathcal{L}_Λ coincides with $[\lambda_1(\Gamma), +\infty)$;*
- ii) *\mathcal{L}_Λ has at most a finite number of eigenvalues below its essential spectrum.*

Theorem 1.2 exhibits a significant difference between non-smooth and smooth conical layers: First, the bottom of the essential spectrum in the non-smooth case is determined by the edge profile (the broken guide) and is lower than in the smooth case where it is given by the first eigenvalue π^2

of the one-dimensional Laplacian on the interval $\mathcal{I} = (-1, 0)$ across the layer. Second, in contrast with the present statement, for smooth conical layers the discrete spectrum is infinite as it was first observed for circular cones [20, Thm. 3.1], [16, Thm. 1.4], and next generalized to smooth conical layers [29, Thm. 2].

Before going further, let us comment on relations between smooth layers and our Fichera layer. A smooth layer is defined like a shell in elasticity: from a reference unbounded smooth surface \mathcal{S}^b without boundary (said *midsurface*) and a positive thickness parameter ε , we may define the layer $\Lambda^b[\varepsilon]$ as the set of points at distance strictly smaller than $\varepsilon/2$ to \mathcal{S}^b . This same definition is also adopted in [29] when \mathcal{S}^b is a smooth conical surface. Trying this for our Fichera layer, we choose \mathcal{S}^b as the union of three quarter planes

$$\mathcal{S}^b = \{\mathbf{x} \in \mathbb{R}^3 : \min\{x_1, x_2, x_3\} = -\frac{1}{2}\}$$

and take $\varepsilon = 1$. However the layer $\Lambda^b := \Lambda^b[1]$ is distinct from Λ outside any compact set: We can see that the section of Λ by any plane $x_1 = R$, $R > 0$, is isometric to the broken guide Γ , whereas a similar section of Λ^b is isometric to the broken guide Γ^b with rounded exterior corner drawn in Figure 2, left.

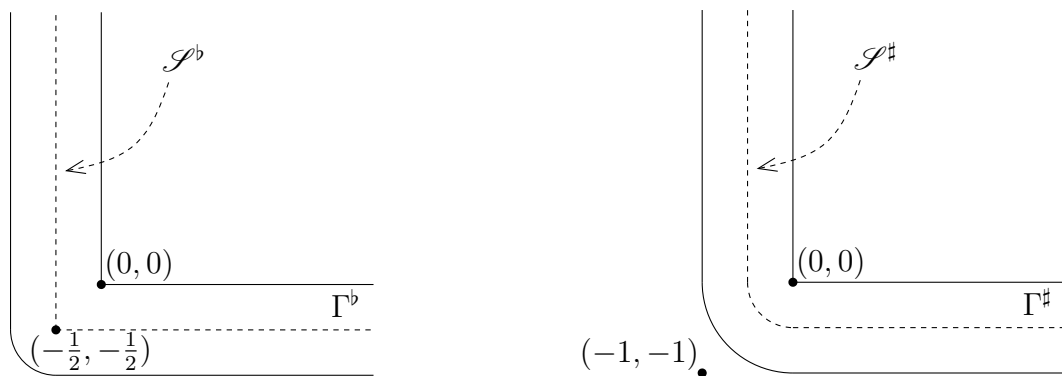


FIGURE 2. Plane sections Γ^b and Γ^\sharp of the variants Λ^b and Λ^\sharp of the Fichera layer.

An alternative in the same spirit would be to set $\mathcal{S}^0 = \{\mathbf{x} \in \mathbb{R}^3 : \min\{x_1, x_2, x_3\} = 0\}$ and define the layer Λ^\sharp as the set of points at signed distance less than 1 from \mathcal{S}^0 where the sign is given by the outward normal to the octant $(\mathbb{R}_+)^3$. We observe that the section of Λ^\sharp by any plane $x_1 = R$, $R > 0$, is isometric to the broken guide Γ^\sharp with rounded exterior corner drawn in Figure 2, right. Note that Λ^\sharp can also be viewed as a layer of thickness $\varepsilon = 1$ associated with the midsurface \mathcal{S}^\sharp drawn in the same figure.

In fact, the Dirichlet Laplacian on Γ^b or Γ^\sharp has exactly one eigenvalue under the threshold of the essential spectrum [22, 31] and Theorem 1.2 generalizes to the layers Λ^b and Λ^\sharp if we replace the guide Γ by Γ^b and Γ^\sharp , respectively, see Section 5 and Appendix B.

Another interesting related geometry is given by the cross-like domains. Let \mathcal{X} and \mathcal{Y} be the two- and three-dimensional “crosses”, cf. Figure 3 (here \mathcal{I} is the bounded interval $(-1, 0)$)

$$\mathcal{X} = (\mathbb{R} \times \mathcal{I}) \cup (\mathcal{I} \times \mathbb{R}) \quad \text{and} \quad \mathcal{Y} = (\mathbb{R}^2 \times \mathcal{I}) \cup (\mathbb{R} \times \mathcal{I} \times \mathbb{R}) \cup (\mathcal{I} \times \mathbb{R}^2). \quad (1.2)$$

Here, once more, the Dirichlet Laplacian on \mathcal{X} has exactly one eigenvalue under the essential spectrum [31, Prop. 13] and Theorem 1.2 generalizes to the three-dimensional cross \mathcal{Y} if we replace the guide Γ by the two-dimensional cross \mathcal{X} , see Section 5.

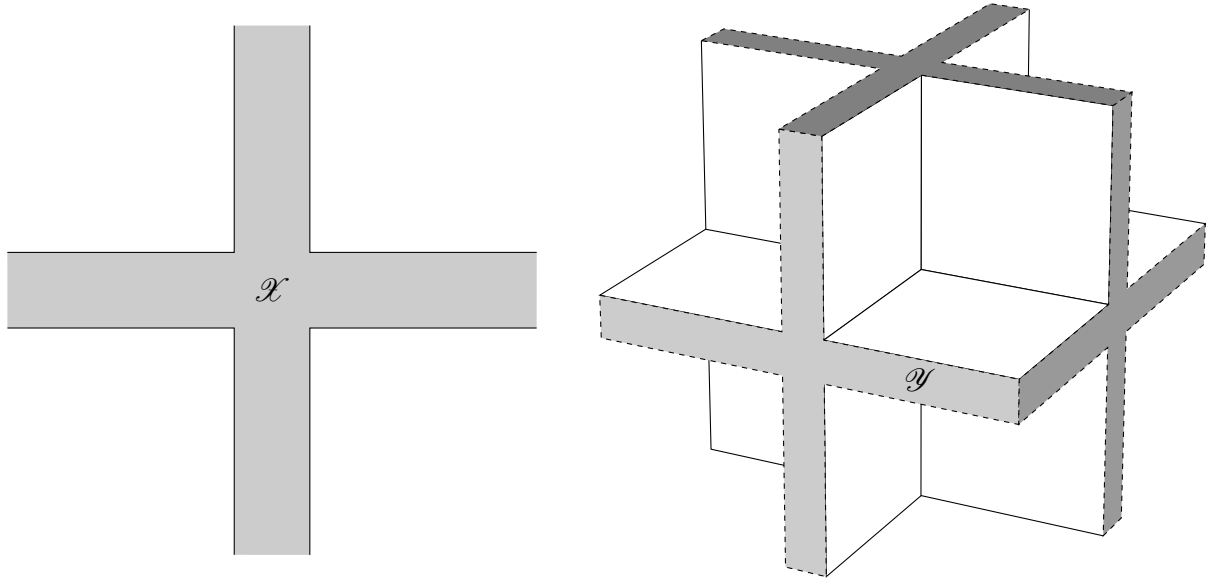


FIGURE 3. The 2- and 3-dimensional crosses.

1.3. **Notations.** Let $d \in \{1, 2, 3\}$ and let $\mathbf{x} = (x_1, \dots, x_d)$ denote the Cartesian coordinates of \mathbb{R}^d . For $L > 0$, we will make use of \square_L , the box domains of \mathbb{R}^d defined as

$$\square_L := \{\mathbf{x} \in \mathbb{R}^d : \max_{j=1}^d |x_j + 1| < L\}. \quad (1.3)$$

1.3.1. *Three-dimensional domains.* In \mathbb{R}^3 , the Fichera layer (1.1) is the unbounded layer domain Λ that can alternatively be written as

$$\Lambda = \{\mathbf{x} \in \mathbb{R}^3 : -1 < \min\{x_1, x_2, x_3\} < 0\}. \quad (1.4)$$

Bounded versions of Λ are obtained as the intersection of Λ with the three-dimensional boxes \square_L centered at the external vertex $(-1, -1, -1)$ of Λ . Set for $R > -1$:

$$\Lambda_R = \Lambda \cap \square_{R+1}. \quad (1.5)$$

The residual parts “at infinity” of Λ are denoted by Ω_R

$$\Omega_R = \Lambda \cap (\mathbb{R}^3 \setminus \overline{\square_{R+1}}) = \Lambda \setminus \overline{\Lambda_R}. \quad (1.6)$$

The layer Λ is invariant by the symmetries with respect to the three diagonal planes $x_j = x_k$ ($j < k$). It is natural to split Λ into the three isometric parts Λ^1, Λ^2 and Λ^3 , with Λ^3 defined as

$$\Lambda^3 = \{\mathbf{x} \in \Lambda : x_1 < x_3 \text{ and } x_2 < x_3\} \quad (1.7)$$

and the other two by permutation of indices. We also introduce the finite and residual parts

$$\Lambda_R^j = \Lambda^j \cap \Lambda_R \quad \text{and} \quad \Omega_R^j = \Lambda^j \cap \Omega_R. \quad (1.8)$$

1.3.2. *Two-dimensional domains.* The two-dimensional domain corresponding to the Fichera layer is the broken guide Γ of opening $\frac{\pi}{2}$ and width 1

$$\Gamma = \{\mathbf{x} \in \mathbb{R}^2 : -1 < \min\{x_1, x_2\} < 0\} \quad (1.9)$$

and the finite broken guide Γ_R is defined accordingly

$$\Gamma_R = \Gamma \cap \square_{R+1} \quad \text{for } R > -1, \quad (1.10)$$

where \square_{R+1} is the two-dimensional box as defined in (1.3).

These domains are symmetric with respect to the diagonal line $x_1 = x_2$, which makes natural the definition of the subdomains $\Gamma^1 = \{\mathbf{x} \in \Gamma : x_2 < x_1\}$ and $\Gamma^2 = \{\mathbf{x} \in \Gamma : x_1 < x_2\}$ together with their bounded analogues $\Gamma_R^j = \Gamma^j \cap \square_{R+1}$ for $j = 1, 2$. We particularize the parts of their boundaries at “distance” R , i.e. $\Sigma_R^j = \partial\Gamma_R^j \cap \partial\square_{R+1}$. Note that

$$\Sigma_R^1 = \{R\} \times \mathcal{I} \quad \text{and} \quad \Sigma_R^2 = \mathcal{I} \times \{R\} \quad \text{with} \quad \mathcal{I} = (-1, 0). \quad (1.11)$$

Finally

$$\Sigma_R = \Sigma_R^1 \cup \Sigma_R^2 = \partial\Gamma_R \cap \partial\square_{R+1}. \quad (1.12)$$

We will also make use of the rectangles \mathcal{T}_R^j and half-strips \mathcal{S}_R^j

$$\mathcal{T}_R^1 = (0, R) \times \mathcal{I}, \quad \mathcal{T}_R^2 = \mathcal{I} \times (0, R) \quad \text{and} \quad \mathcal{S}_R^1 = (R, \infty) \times \mathcal{I}, \quad \mathcal{S}_R^2 = \mathcal{I} \times (R, \infty).$$

These domains are represented in Figure 4 and 5.

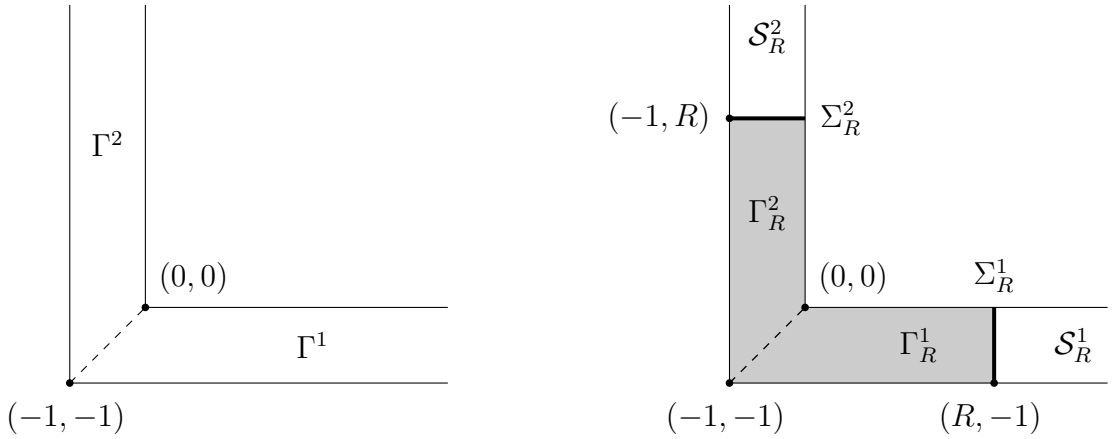


FIGURE 4. The guide Γ and its associated subdomains.

In this paper, we will use in two occurrences the following simple uniform trace estimate:

Lemma 1.3. *There exists a constant C such that for all $R \geq 1$ and all $u \in H^1(\Gamma_R)$ there holds*

$$\|u\|_{L^2(\Sigma_R)} \leq C \|u\|_{H^1(\Gamma_R)}. \quad (1.13)$$

Proof. We bound the L^2 -norm of the trace of u on Σ_R by the H^1 -norm on $\Gamma_R \setminus \bar{\Gamma}_{R-1}$. \square

1.3.3. *Operators.* The Laplace operator Δ in \mathbb{R}^d is the partial differential operator

$$\Delta = \sum_{j=1}^d \partial_j^2.$$

On a generic domain $\mathcal{O} \subset \mathbb{R}^d$, the positive Laplacian $-\Delta$ is associated with the quadratic form

$$\mathcal{Q}(u) = \int_{\mathcal{O}} |\nabla u(\mathbf{x})|^2 d\mathbf{x},$$

defined for u belonging to the Sobolev space $H^1(\mathcal{O})$. The boundary conditions considered in this paper are either Dirichlet or Neumann on parts of the boundary of \mathcal{O} . Let us assume that \mathcal{O} is a Lipschitz domain and that $\partial_D \mathcal{O}$ and $\partial_N \mathcal{O}$ are two Lipschitz subdomains of the boundary $\partial\mathcal{O}$ such that $\overline{\partial_D \mathcal{O}} \cup \overline{\partial_N \mathcal{O}} = \partial\mathcal{O}$. Then we can introduce the variational space $\text{Dom}(\mathcal{Q})$ (form domain for \mathcal{Q}) with Dirichlet conditions on $\partial_D \mathcal{O}$:

$$\text{Dom}(\mathcal{Q}) = \{u \in H^1(\mathcal{O}) : u|_{\partial_D \mathcal{O}} = 0\}.$$

Domain \mathcal{O}	Γ , cf. (1.9)	Γ_R , cf. (1.10)	Λ , cf. (1.4)
Neumann part $\partial_N \mathcal{O}$	$\partial_N \Gamma = \emptyset$	$\partial_N \Gamma_R = \Sigma_R$, cf. (1.12)	$\partial_N \Lambda = \emptyset$
Laplace operator	\mathcal{L}_Γ	\mathcal{L}_{Γ_R}	\mathcal{L}_Λ
Rayleigh quotients	$\lambda_\ell(\Gamma)$	$\lambda_\ell(\Gamma_R)$	$\lambda_\ell(\Lambda)$
Condensed notations	$\lambda_1(\Gamma) := \lambda_\infty$	$\lambda_1(\Gamma_R) := \lambda_R$	–
–	–	for $R = x_3$: $\lambda_1(\Gamma_{x_3}) := \lambda(x_3)$	–
Main results	Th. 1.1	Cor. 2.4 and Prop. 2.6	Th. 1.2 and Prop. 3.8

TABLE 1. Notations for the main Laplace operators studied in this paper.

The associated self-adjoint operator is $\mathcal{L} := -\Delta$ with domain

$$\text{Dom}(\mathcal{L}) = \{u \in \text{Dom}(\mathcal{Q}) : -\Delta u \in L^2(\Omega), \partial_n u|_{\partial_N \mathcal{O}} = 0\}.$$

The spectrum of \mathcal{L} is denoted by $\sigma(\mathcal{L})$, its discrete and essential parts by $\sigma_{\text{dis}}(\mathcal{L})$ and $\sigma_{\text{ess}}(\mathcal{L})$, respectively. Likewise, we might also write $\sigma(\mathcal{Q})$, $\sigma_{\text{ess}}(\mathcal{Q})$ and $\sigma_{\text{dis}}(\mathcal{Q})$, respectively. We particularize the notation of \mathcal{L} (respectively \mathcal{Q}) on the domain \mathcal{O} as $\mathcal{L}_{\mathcal{O}}^{\text{Dir}}$ (respectively $\mathcal{Q}_{\mathcal{O}}^{\text{Dir}}$) if $\partial_N \mathcal{O}$ has measure zero and $\mathcal{L}_{\mathcal{O}}^{\text{Mix}}$ (respectively $\mathcal{Q}_{\mathcal{O}}^{\text{Mix}}$) otherwise.

The ℓ -th Rayleigh quotient of $\mathcal{Q}_{\mathcal{O}}^{\text{Dir}}$ (respectively $\mathcal{Q}_{\mathcal{O}}^{\text{Mix}}$) on its form domain is denoted by $\lambda_\ell^{\text{Dir}}(\mathcal{O})$ (respectively $\lambda_\ell^{\text{Mix}}(\mathcal{O})$). Except possibly in Section 4, there is no risk of confusion, thus, for the sake of readability, we omit the mention of the superscripts Dir and Mix using $\mathcal{L}_{\mathcal{O}}$, $\mathcal{Q}_{\mathcal{O}}$ and $\lambda_\ell(\mathcal{O})$ instead.

In particular $\lambda_1(\mathcal{O})$ is the bottom of the spectrum of $\mathcal{L}_{\mathcal{O}}$:

$$\lambda_1(\mathcal{O}) = \min_{u \in \text{Dom}(\mathcal{Q}_{\mathcal{O}}), u \neq 0} \frac{\mathcal{Q}_{\mathcal{O}}(u)}{\|u\|^2}.$$

In Table 1, we list the main geometrical domains we are interested in as well as the associated Laplace operators, their Rayleigh quotients and the main related results.

1.3.4. *Domain partition.* We will often use a comparison principle of eigenvalues based on a domain partition. Let us introduce a finite partition $(\mathcal{O}_j)_{j \in \mathcal{J}}$ of the Lipschitz domain \mathcal{O} in the sense that each \mathcal{O}_j is Lipschitz, that they are pairwise disjoint, and

$$\cup_{j \in \mathcal{J}} \overline{\mathcal{O}_j} = \overline{\mathcal{O}}.$$

Then we define the broken quadratic form $\mathcal{Q}_{\mathcal{O}}^{\text{Bro}}$

$$\mathcal{Q}_{\mathcal{O}}^{\text{Bro}}(u) = \sum_{j \in \mathcal{J}} \int_{\mathcal{O}_j} |\nabla u(\mathbf{x})|^2 d\mathbf{x},$$

defined for u in the domain

$$\text{Dom}(\mathcal{Q}_{\mathcal{O}}^{\text{Bro}}) = \{u \in L^2(\mathcal{O}) : u|_{\mathcal{O}_j} \in \text{Dom}(\mathcal{Q}_{\mathcal{O}_j}), j \in \mathcal{J}\},$$

where $\text{Dom}(\mathcal{Q}_{\mathcal{O}_j}) = \{u \in H^1(\mathcal{O}_j), u|_{\partial_{\text{D}} \mathcal{O}_j \cap \partial \mathcal{O}} = 0\}$. Let $\lambda_\ell^{\text{Bro}}(\mathcal{O})$ denote the ℓ -th Rayleigh quotient of $\mathcal{Q}_{\mathcal{O}}^{\text{Bro}}$. Since we have the obvious embedding between form domains $\text{Dom}(\mathcal{Q}_{\mathcal{O}}) \subset \text{Dom}(\mathcal{Q}_{\mathcal{O}}^{\text{Bro}})$, the following inequalities between Rayleigh quotients hold

$$\lambda_\ell^{\text{Bro}}(\mathcal{O}) \leq \lambda_\ell(\mathcal{O}), \quad \forall \ell \geq 1, \quad (1.14a)$$

while

$$\lambda_\ell^{\text{Bro}}(\mathcal{O}) \text{ is the } \ell\text{-th smallest term in the set } \bigcup_{j \in \mathcal{J}} \bigcup_{k=1}^{\ell} \{\lambda_k(\mathcal{O}_j)\} \quad (1.14b)$$

with multiplicities taken into account.

1.4. Structure of the paper. In Section 2 we study the auxiliary question of the two-dimensional broken guides of finite length Γ_R . We collect results regarding the first eigenvalue of the Dirichlet Laplacian in such domains, in particular its exponential convergence to the first eigenvalue of the infinite broken guide as the length R goes to infinity (see Corollary 2.4) and a Dauge-Helffer type formula about its derivative with respect to the length of the finite guide (see Proposition 2.6).

Section 3 is devoted to the proof of Theorem 1.2. First, we investigate the structure of the essential spectrum using the form decomposition method as well as constructing adapted Weyl sequences for the operator. Second, we prove finiteness of the number of bound states by a Born-Oppenheimer strategy: we compare the number of eigenvalues below the threshold of the essential spectrum to that of a one-dimensional operator obtained after projection on the lowest eigenfunction of a transverse operator. Third, we conclude this section by giving a lower bound on the spectrum that turns out to be numerically close to the threshold of the essential spectrum: there is very little room left for bound states to exist (see Proposition 3.8 and Figure 7).

In Section 4, we illustrate some of our results thanks to computations performed with the finite element library XLiFE++ [33] and we exhibit the existence of exactly one isolated eigenvalue for the Dirichlet problem on the Fichera layer. We address in Section 5 the extensions mentioned above about the Fichera layer with exterior rounded edges Λ^\sharp and the cross \mathcal{Y} . We draw finally some conclusions about other possible generalizations of our results in Section 6, developing the discussion on the distinct spectral behaviors in the family of smooth conical layers and in a family of generalized Fichera layers. The two appendices A and B close the paper.

2. BROKEN GUIDES OF FINITE LENGTH

In this section, we address the finite plane broken guides Γ_R (1.10) for $R \geq 0$: we investigate the first eigenpair of the Laplacian \mathcal{L}_{Γ_R} with Dirichlet conditions on $\partial\Gamma_R \cap \partial\Gamma$ and Neumann conditions on the remaining part Σ_R of the boundary of $\partial\Gamma_R$. We start with rough estimates on the first two eigenvalues of \mathcal{L}_{Γ_R} .

Lemma 2.1. *With the notations summarized in Table 1, there holds:*

- i) For all $R \geq 0$, $\lambda_1(\Gamma_R) \leq \lambda_1(\Gamma)$.
- ii) For all $R \geq 0$, $\lambda_2(\Gamma_R) \geq \pi^2$.

Proof. We use the domain partition as stated in §1.3.4.

i) For a chosen $R \geq 0$, we split the broken guide Γ into three pieces: The finite guide Γ_R , and the two half-strips $\mathcal{S}_R^1 = (R, \infty) \times \mathcal{I}$ and $\mathcal{S}_R^2 = \mathcal{I} \times (R, \infty)$. On the half-strips \mathcal{S}_R^1 and \mathcal{S}_R^2 , Dirichlet conditions are applied on the unbounded sides. By (1.14a)-(1.14b) we find

$$\lambda_1(\Gamma) \geq \min \{ \lambda_1(\Gamma_R), \lambda_1(\mathcal{S}_R^1), \lambda_1(\mathcal{S}_R^2) \}.$$

Since $\lambda_1(\mathcal{S}_R^1) = \lambda_1(\mathcal{S}_R^2) = \pi^2$, we deduce point i) thanks to Theorem 1.1.

ii) Now we split the finite guide Γ_R into the square Γ_0 and the two finite rectangles $\mathcal{T}_R^1 = (0, R) \times \mathcal{I}$ and $\mathcal{T}_R^2 = \mathcal{I} \times (0, R)$ (see Figure 5). On the rectangles \mathcal{T}_R^1 and \mathcal{T}_R^2 , Dirichlet conditions are applied on the sides $(0, R) \times \{-1, 0\}$ and $\{-1, 0\} \times (0, R)$, respectively. By (1.14a)-(1.14b) we find

$$\lambda_2(\Gamma_R) \geq \text{2d smallest element of } \{ \lambda_1(\Gamma_0), \lambda_2(\Gamma_0), \lambda_1(\mathcal{T}_R^j), \lambda_2(\mathcal{T}_R^j), j = 1, 2 \}. \quad (2.1)$$

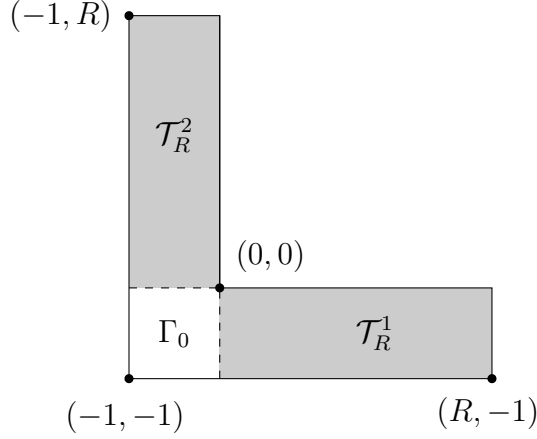


FIGURE 5. The finite guide Γ_R , the square Γ_0 and the rectangles \mathcal{T}_R^j , $j = 1, 2$.

Recall that the boundary conditions on the square Γ_0 are Dirichlet on the sides $x_1 = -1$, $x_2 = -1$, and Neumann on the sides $x_1 = 0$, $x_2 = 0$. Therefore we have

$$\lambda_1(\Gamma_0) = \left(\frac{1}{4} + \frac{1}{4}\right)\pi^2 = \frac{\pi^2}{2} \quad \text{and} \quad \lambda_2(\Gamma_0) = \left(\frac{1}{4} + \frac{9}{4}\right)\pi^2 = \frac{5\pi^2}{2}.$$

Moreover, we get

$$\lambda_1(\mathcal{T}_R^1) = \lambda_1(\mathcal{T}_R^2) = \pi^2 \quad \text{and} \quad \lambda_2(\mathcal{T}_R^1) = \lambda_2(\mathcal{T}_R^2) > \pi^2.$$

Thus the second smallest element of the set in (2.1) is π^2 and point *ii*) of the lemma is proved. \square

Remark 2.2. A similar proof as that of point *ii*) above yields that the second Rayleigh quotient of \mathcal{L}_Γ is greater than π^2 . This is in the spirit of [31] and provides a more direct proof of the result [28] that \mathcal{L}_Γ has at most one eigenvalue under its essential spectrum.

2.1. Exponential decay of eigenvectors. In this section, we prove exponential decay estimates of the first eigenvector of \mathcal{L}_{Γ_R} , uniformly as $R \rightarrow \infty$. For convenience, in the rest of Section 2 we use the following condensed notation for the first eigenvalue on Γ_R and Γ , cf. Table 1, as well as the L^2 -norm of their difference:

$$\lambda_R := \lambda_1(\Gamma_R), \quad \lambda_\infty := \lambda_1(\Gamma), \quad \text{and} \quad \omega = \sqrt{\pi^2 - \lambda_\infty}. \quad (2.2)$$

Lemma 2.3. For $R \geq 0$, let v_R be the positive normalized eigenvector associated with the first eigenvalue λ_R of \mathcal{L}_{Γ_R} , i.e.

$$\mathcal{L}_{\Gamma_R} v_R = \lambda_R v_R, \quad v_R > 0 \quad \text{on} \quad \Gamma_R, \quad \text{and} \quad \|v_R\|_{L^2(\Gamma_R)} = 1. \quad (2.3)$$

Recall that $\Sigma_\rho = \partial\Gamma_\rho \cap \partial\Box_{\rho+1}$, cf. (1.12). Then, with ω given in (2.2), for all integers $\ell, m \geq 0$, there exists a constant $C_{\ell,m}$ such that

$$\forall R \geq 1, \quad \forall \rho \in [1, R], \quad \|\partial_n^\ell \partial_\tau^m v_R\|_{L^2(\Sigma_\rho)} \leq C_{\ell,m} e^{-\rho\omega},$$

where ∂_n and ∂_τ are the normal and tangential derivatives on Σ_ρ , respectively.

Proof. We prove exponential decay for v_R by a representation formula on the rectangle $\mathcal{T}_R^1 = (0, R) \times \mathcal{I}$, the rectangle $\mathcal{T}_R^2 = \mathcal{I} \times (0, R)$ being handled in a similar way. We note that v_R is

solution of the mixed problem in $\mathcal{T}_R^1 = (0, R) \times \mathcal{I}$

$$\begin{cases} -\Delta v_R = \lambda_R v_R & \text{in } (0, R) \times \mathcal{I}, \\ v_R(x_1, -1) = v_R(x_1, 0) = 0 & \forall x_1 \in (0, R), \\ \partial_1 v_R(R, x_2) = 0 & \forall x_2 \in \mathcal{I}, \\ v_R(0, x_2) = g_R & \forall x_2 \in \mathcal{I}, \end{cases} \quad (2.4)$$

where g_R is the trace of v_R on the segment $\Sigma_0^1 = \{0\} \times \mathcal{I}$. Since v_R belongs in particular to $H^1(\Gamma_0)$, its trace belongs to $H^{1/2}(\Sigma_0^1)$ with the estimates

$$\|g_R\|_{H^{1/2}(\Sigma_0^1)} \leq C_0 \|v_R\|_{H^1(\Gamma_0)}$$

where C_0 does not depend on R . Now, there holds

$$\|v_R\|_{H^1(\Gamma_0)} \leq \|v_R\|_{H^1(\Gamma_R)} = \sqrt{\lambda_R + 1} \|v_R\|_{L^2(\Gamma_R)} = \sqrt{\lambda_R + 1} \leq \sqrt{\pi^2 + 1}.$$

Thus we have obtained in particular

$$\|g_R\|_{L^2(\Sigma_0^1)} \leq C_0 \sqrt{\pi^2 + 1}, \quad \forall R \geq 0. \quad (2.5)$$

We expand v_R along the eigenvectors of the operator $-\partial_y^2$, self-adjoint on $(H^2 \cap H_0^1)(\mathcal{I})$. Its normalized eigenvectors are

$$s_k(x_2) = \sqrt{2} \sin(k\pi x_2)$$

and we write

$$v_R(x_1, x_2) = \sum_{k \geq 1} u_k(x_1) s_k(x_2), \quad \text{where } u_k(x_1) = \int_{\mathcal{I}} v_R(x_1, x_2) s_k(x_2) dx_2.$$

Hence, (2.4) yields that for all $k \geq 1$ we have

$$\begin{cases} -u_k'' + (k^2\pi^2 - \lambda_R)u_k = 0 & \text{in } (0, R), \\ u_k'(R) = 0, \\ u_k(0) = g_{R,k} \end{cases} \quad \text{where } g_{R,k} = \int_{\mathcal{I}} g_R(x_2) s_k(x_2) dx_2. \quad (2.6)$$

The solution of (2.6) is given by

$$u_k(x_1) = \frac{g_{R,k}}{\cosh(R\sqrt{k^2\pi^2 - \lambda_R})} \cosh((R - x_1)\sqrt{k^2\pi^2 - \lambda_R})$$

which yields

$$v_R(x_1, x_2) = \sum_{k \geq 1} \frac{g_{R,k}}{\cosh(R\omega_{R,k})} \cosh((R - x_1)\omega_{R,k}) s_k(x_2), \quad (2.7)$$

where we have set $\omega_{R,k} = \sqrt{k^2\pi^2 - \lambda_R}$. Thanks to the uniform convergence of this series and its derivatives on any subdomain of the form $[a, R] \times \mathcal{I}$ with a positive a , we deduce the formulas for $\ell, m \in \mathbb{N}$

$$\begin{cases} \partial_1^\ell \partial_2^m v_R(x_1, x_2) = \sum_{k \geq 1} (-1)^{m/2} \frac{\omega_{R,k}^\ell (k\pi)^m}{\cosh(R\omega_{R,k})} g_{R,k} \cosh((R - x_1)\omega_{R,k}) s_k(x_2) & m \text{ even} \\ \partial_1^\ell \partial_2^m v_R(x_1, x_2) = \sum_{k \geq 1} (-1)^{(m-1)/2} \frac{\omega_{R,k}^\ell (k\pi)^m}{\cosh(R\omega_{R,k})} g_{R,k} \cosh((R - x_1)\omega_{R,k}) c_k(x_2) & m \text{ odd} \end{cases}$$

if ℓ is even and

$$\begin{cases} \partial_1^\ell \partial_2^m v_R(x_1, x_2) = \sum_{k \geq 1} (-1)^{m/2+1} \frac{\omega_{R,k}^\ell (k\pi)^m}{\cosh(R\omega_{R,k})} g_{R,k} \sinh((R - x_1)\omega_{R,k}) s_k(x_2) & m \text{ even} \\ \partial_1^\ell \partial_2^m v_R(x_1, x_2) = \sum_{k \geq 1} (-1)^{(m+1)/2} \frac{\omega_{R,k}^\ell (k\pi)^m}{\cosh(R\omega_{R,k})} g_{R,k} \sinh((R - x_1)\omega_{R,k}) c_k(x_2) & m \text{ odd} \end{cases}$$

if ℓ is odd, where we set $c_k = \sqrt{2} \cos(k\pi x_2)$ the cosine basis. Thus we can calculate the L^2 -norm of their trace on Σ_ρ^1 , i.e. at $x_1 = \rho$, for any $\rho \in [1, R]$:

$$\|\partial_1^\ell \partial_2^m v_R\|_{L^2(\Sigma_\rho^1)}^2 = \begin{cases} \left(\sum_{k \geq 1} \left(\omega_{R,k}^\ell (k\pi)^m \frac{\cosh((R-\rho)\omega_{R,k})}{\cosh(R\omega_{R,k})} g_{R,k} \right)^2 \right) & \ell \text{ even} \\ \left(\sum_{k \geq 1} \left(\omega_{R,k}^\ell (k\pi)^m \frac{\sinh((R-\rho)\omega_{R,k})}{\cosh(R\omega_{R,k})} g_{R,k} \right)^2 \right) & \ell \text{ odd.} \end{cases}$$

Since $\lambda_R \leq \lambda_1(\Gamma)$ by point i) of Lemma 2.1, we notice that $\omega_{R,k}$ is larger than $\sqrt{k^2\pi^2 - \lambda_1(\Gamma)}$, itself larger than $k\omega$. Thus we deduce

$$\frac{\sinh((R-\rho)\omega_{R,k})}{\cosh(R\omega_{R,k})} \leq \frac{\cosh((R-\rho)\omega_{R,k})}{\cosh(R\omega_{R,k})} \leq 2e^{-\rho\omega_{R,k}} \leq 2e^{-\rho k\omega},$$

hence

$$\|\partial_1^\ell \partial_2^m v_R\|_{L^2(\Sigma_\rho^1)}^2 \leq 4 \sum_{k \geq 1} (\omega_{R,k}^\ell (k\pi)^m)^2 g_{R,k}^2 e^{-2\rho k\omega}.$$

Using the upper bound $\omega_{R,k} \leq k\pi$, we find

$$\begin{aligned} \|\partial_1^\ell \partial_2^m v_R\|_{L^2(\Sigma_\rho^1)}^2 &\leq 4 \sum_{k \geq 1} (k\pi)^{2(\ell+m)} g_{R,k}^2 e^{-2\rho k\omega} \\ &\leq 4e^{-2\rho\omega} \left(\sum_{k \geq 1} g_{R,k}^2 \right) \max_{k \geq 1} \left\{ (k\pi)^{2(\ell+m)} e^{-2\rho(k-1)\omega} \right\} \\ &\leq 4e^{-2\rho\omega} \|g_R\|_{L^2(\Sigma_0^1)}^2 \max_{k \geq 1} \left\{ (k\pi)^{2(\ell+m)} e^{-2(k-1)\omega} \right\} \quad \text{for } \rho \geq 1. \end{aligned}$$

Combining with (2.5), we find for any $\ell, m \geq 0$ the estimates $\|\partial_1^\ell \partial_2^m v_R\|_{L^2(\Sigma_\rho^1)} \leq C_{\ell,m} e^{-\rho\omega}$ with constants $C_{\ell,m}$ independent of R . The lemma is thus proved. \square

Corollary 2.4. *With the positive number $\omega = \sqrt{\pi^2 - \lambda_\infty}$, cf. (2.2), there exists a constant C_1 such that*

$$\forall R \geq 0, \quad 0 \leq \lambda_\infty - \lambda_R \leq C_1 e^{-2R\omega}.$$

Proof. We know already that $\lambda_\infty \geq \lambda_R$. To prove the right estimate, we use the eigenvectors v_R as quasi-modes for \mathcal{L}_Γ after cutting them off on the rectangular regions $(R-1, R) \times \mathcal{I}$ and $\mathcal{I} \times (R-1, R)$: assume $R \geq 2$ for simplicity and introduce a smooth cut-off χ such that

$$\chi(t) = 1 \text{ for } t \leq -1 \quad \text{and} \quad \chi(t) = 0 \text{ for } t \geq 0.$$

We define $\tilde{v}_R(\mathbf{x})$ by $\chi(x_1 - R)v_R(\mathbf{x})$ if $\mathbf{x} \in \Gamma_R^1$, by $\chi(x_2 - R)v_R(\mathbf{x})$ if $\mathbf{x} \in \Gamma_R^2$, and by 0 if $\mathbf{x} \in \Gamma \setminus \Gamma_R$. Then \tilde{v}_R belongs to the domain of \mathcal{L}_Γ and we can evaluate its Rayleigh quotient. Lemma 2.3 implies the following estimates with a constant C independent of R :

$$\left| \|\tilde{v}_R\|_{L^2(\Gamma)}^2 - 1 \right| \leq C e^{-2R\omega} \quad \text{and} \quad \left| \|\nabla \tilde{v}_R\|_{L^2(\Gamma)}^2 - \|\nabla v_R\|_{L^2(\Gamma_R)}^2 \right| \leq C e^{-2R\omega}. \quad (2.8)$$

Hence, the min-max principle and (2.8) give

$$\lambda_\infty(1 - C e^{-2R\omega}) \leq \lambda_\infty \|\tilde{v}_R\|_{L^2(\Gamma)}^2 \leq \|\nabla \tilde{v}_R\|_{L^2(\Gamma)}^2 \leq \|\nabla v_R\|_{L^2(\Gamma_R)}^2 + C e^{-2R\omega} = \lambda_R + C e^{-2R\omega}.$$

Consequently, we get

$$\lambda_\infty - \lambda_R \leq C_1 e^{-2R\omega},$$

with $C_1 = C(\lambda_\infty + 1)$ and the corollary is proved. \square

2.2. Variation of eigenpairs. Before proving differential formulas for the first eigenpair of the operator \mathcal{L}_{Γ_R} , let us give an argument stating the regularity of this first eigenpair with respect to R .

Lemma 2.5. *Recall the abbreviated notation λ_R for the first eigenvalue of \mathcal{L}_{Γ_R} and let v_R be the associated normalized and positive eigenvector, cf. (2.3). Then the function $R \mapsto \lambda_R$ is analytic on $(0, \infty)$ and the derivative $w_R := \partial_R v_R$ makes sense in $\text{Dom}(\mathcal{Q}_{\Gamma_R})$.*

Proof. For any $R > 0$, let us introduce the following change of variables that transforms Γ_R into Γ_1 :

$$(x, y) = \begin{cases} (x_1, x_2) & \text{if } (x_1, x_2) \in \Gamma_0, \\ (R^{-1}x_1, x_2) & \text{if } (x_1, x_2) \in \mathcal{T}_R^1, \\ (x_1, R^{-1}x_2) & \text{if } (x_1, x_2) \in \mathcal{T}_R^2. \end{cases} \quad (2.9)$$

For $u \in \text{Dom}(\mathcal{Q}_{\Gamma_R})$, setting $\widehat{u}(x, y) = u(x_1, x_2)$ we get $\mathcal{Q}_{\Gamma_R}(u) = \widehat{\mathcal{Q}}_R(\widehat{u})$, where $\widehat{\mathcal{Q}}_R$ is the parameter dependent H^1 semi-norm on Γ_1 defined as

$$\begin{aligned} \widehat{\mathcal{Q}}_R(\widehat{u}) &= \|\nabla \widehat{u}\|_{L^2(\Gamma_0)}^2 + R^{-1} \left(\|\partial_x \widehat{u}\|_{L^2(\mathcal{T}_1^1)}^2 + \|\partial_y \widehat{u}\|_{L^2(\mathcal{T}_1^2)}^2 \right) + R \left(\|\partial_x \widehat{u}\|_{L^2(\mathcal{T}_1^1)}^2 + \|\partial_y \widehat{u}\|_{L^2(\mathcal{T}_1^1)}^2 \right), \\ \text{Dom}(\widehat{\mathcal{Q}}_R) &= \{\widehat{u} \in H^1(\Gamma_1) : \widehat{u}|_{\partial\Gamma_1 \setminus \Sigma_1} = 0\}. \end{aligned}$$

Remark that the L^2 -norm becomes

$$\|u\|_{L^2(\Gamma_R)}^2 = \widehat{\mathcal{N}}_R(\widehat{u})^2 := \|\widehat{u}\|_{L^2(\Gamma_0)}^2 + R \left(\|\widehat{u}\|_{L^2(\mathcal{T}_1^1)}^2 + \|\widehat{u}\|_{L^2(\mathcal{T}_1^2)}^2 \right),$$

where the norm $\widehat{\mathcal{N}}_R$ is equivalent to the usual norm $\|\cdot\|_{L^2(\Gamma_1)}$.

Now, as $\text{Dom}(\widehat{\mathcal{Q}}_R)$ does not depend on R and that for all $\widehat{u} \in \text{Dom}(\widehat{\mathcal{Q}}_R)$ the application

$$R \in (0, +\infty) \mapsto \frac{\widehat{\mathcal{Q}}_R(\widehat{u})}{\widehat{\mathcal{N}}_R(\widehat{u})^2}$$

is analytic, using that $\widehat{\mathcal{Q}}_R$ is bounded from below (non-negative), the strategy of Kato [23, Chapt. 7 §4.2] can be adapted to obtain that the self-adjoint operators associated with the family $(\widehat{\mathcal{Q}}_R)_{R>0}$ via the first representation theorem is an analytic family of operators for $R \in (0, \infty)$. In particular, as for any $R > 0$ the first eigenvalue λ_R is simple, we obtain the lemma. \square

Now we can prove a formula for the derivative with respect to R of the first eigenvalue of \mathcal{L}_{Γ_R} in the spirit of [23, VII, sect 6(5)] and [14, Theorem (1.4)].

Proposition 2.6. *With notations as in Lemma 2.5, the derivative $\partial_R \lambda_R$ satisfies the formula (here τ is a tangential variable in the Neumann part Σ_R of $\partial\Gamma_R$)*

$$\partial_R \lambda_R = \int_{\Sigma_R} (|\partial_\tau v_R|^2 - \lambda_R |v_R|^2) d\tau, \quad R > 0. \quad (2.10)$$

Proof. Since λ_R is a simple eigenvalue, and since \mathcal{L}_{Γ_R} commutes with the symmetry with respect to the diagonal $\mathcal{D} = \{x : x_1 = x_2\}$, the eigenvector v_R is also symmetric with respect to \mathcal{D} . Indeed, it satisfies Neumann conditions on $\mathcal{D} \cap \Gamma_0$, see [15, Prop.2.2]. Thus, we can reduce our analysis to the lower half Γ_R^1 of Γ_R . There holds $\|v_R\|_{L^2(\Gamma_R^1)}^2 = \frac{1}{2}$ and we are going to prove

$$\partial_R \lambda_R = 2 \int_{\Sigma_R^1} (|\partial_2 v_R|^2 - \lambda_R |v_R|^2) dx_2, \quad R > 0. \quad (2.11)$$

We follow the steps of the proof of [14, Theorem (1.4)]. Integrating by parts and using that $\partial_n v_R$ is zero on Σ_R^1 and $\mathcal{D} \cap \Gamma_0$, we find for any chosen $h > 0$

$$\int_{\Gamma_R^1} (-\Delta - \lambda_R) v_R v_{R+h} dx_1 dx_2 = \int_{\Gamma_R^1} v_R (-\Delta - \lambda_R) v_{R+h} dx_1 dx_2 + \int_{\Sigma_R^1} v_R \partial_1 v_{R+h} dx_2.$$

Hence, using the eigen-equations for v_R and v_{R+h} :

$$(\lambda_{R+h} - \lambda_R) \int_{\Gamma_R^1} v_R v_{R+h} dx_1 dx_2 + \int_{\Sigma_R^1} v_R \partial_1 v_{R+h} dx_2 = 0.$$

Taking advantage of the condition $\partial_1 v_{R+h}|_{\Sigma_{R+h}^1} = 0$ we can write

$$\int_{\Sigma_R^1} v_R \partial_1 v_{R+h} dx_2 = \int_{\mathcal{I}} v_R(R, x_2) \left(\partial_1 v_{R+h}(R, x_2) - \partial_1 v_{R+h}(R+h, x_2) \right) dx_2.$$

Putting together the last two identities, dividing by h and letting h tend to 0, we obtain the relation

$$\partial_R \lambda_R \int_{\Gamma_R^1} |v_R|^2 dx_1 dx_2 = \int_{\Sigma_R^1} v_R (\partial_1^2 v_R) dx_2.$$

Using the relation $(-\partial_1^2 - \partial_2^2 - \lambda_R) v_R = 0$, we deduce formula (2.11), hence formula (2.10). \square

Remark 2.7. 1) Formula (2.10) takes also the form

$$\partial_R \lambda_R = \int_{\Sigma_R} v_R (\partial_n^2 v_R) d\tau, \quad R > 0. \quad (2.12)$$

2) Since for any $R > 0$, v_R belongs to $H_0^1(\Sigma_R)$, thus satisfies $\|\partial_\tau v_R\|_{L^2(\Gamma_R)}^2 \geq \pi^2 \|v_R\|_{L^2(\Gamma_R)}^2$, formula (2.10) implies the inequality

$$\partial_R \lambda_R \geq \int_{\Sigma_R} (\pi^2 - \lambda_R) |v_R|^2 d\tau, \quad R > 0. \quad (2.13)$$

As v_R is not identically 0 on the Neumann boundary Σ_R , the above inequality implies:

$$\text{the function } R \mapsto \lambda_R \text{ is increasing on } (0, \infty). \quad (2.14)$$

3) The function $R \mapsto \lambda_R$ is analytic on $(0, \infty)$, but has no extension as an analytic (nor even \mathcal{C}^1) function on the closed interval $[0, \infty)$.

Let w_R be the derivative $\partial_R v_R$. On Γ_R , the eigen-equations for v_R, v_{R+h} yield

$$(-\Delta - \lambda_{R+h})(v_{R+h} - v_R) = (\lambda_{R+h} - \lambda_R) v_R.$$

The function $v_{R+h} - v_R$ satisfies the zero Dirichlet conditions on $\partial\Gamma_R \setminus \Sigma_R$. On Σ_R , we can write like in the proof above

$$\partial_n(v_{R+h} - v_R)|_{\Sigma_R} = \partial_n v_{R+h}|_{\Sigma_R} - \partial_n v_{R+h}|_{\Sigma_{R+h}}$$

Dividing by h and letting $h \rightarrow 0$, we deduce that w_R is solution of the mixed problem

$$\begin{cases} (-\Delta - \lambda_R) w_R = (\partial_R \lambda_R) v_R & \text{in } \Gamma_R, \\ w_R = 0 & \text{on } \partial\Gamma_R \setminus \Sigma_R, \\ \partial_n w_R = -\partial_n^2 v_R & \text{on } \Sigma_R. \end{cases} \quad (2.15)$$

We note that formula (2.12) is the compatibility relation for the existence of a solution to the mixed problem (2.15). Moreover, the normalization $\int_{\Gamma_R} |v_R|^2 dx_1 dx_2 = 1$ implies the relation

$$\int_{\Gamma_R} w_R v_R dx_1 dx_2 = -\frac{1}{2} \int_{\Sigma_R} |v_R|^2 d\tau. \quad (2.16)$$

Lemma 2.8. *With the notations of Lemma 2.5 and $\omega = \sqrt{\pi^2 - \lambda_1(\Gamma)}$, the derivative $w_R = \partial_R v_R$ satisfies the estimates*

$$\|w_R\|_{H^1(\Gamma_R)} \leq C e^{-R\omega}, \quad R \geq 1. \quad (2.17)$$

Proof. The solution w_R of (2.15)-(2.16) is unique and can be written as

$$w_R = \mu_R v_R + w_R^\perp, \quad \text{with} \quad \int_{\Gamma_R} w_R^\perp v_R dx_1 dx_2 = 0 \quad \text{and} \quad \mu_R = -\frac{1}{2} \int_{\Sigma_R} |v_R|^2 d\tau.$$

Recall that the variational space associated with Problem (2.15) is the form domain $V = \text{Dom}(\mathcal{Q}_{\Gamma_R})$ and denote by V' its dual space. Let f_R denote the right hand side of (2.15). Let us prove that

$$\|w_R^\perp\|_{H^1(\Gamma_R)} \leq K \|f_R\|_{V'} \quad \text{for} \quad K = \frac{1 + \pi^2}{\omega^2}. \quad (2.18)$$

Indeed, if $\langle \cdot, \cdot \rangle_{V', V}$ denotes the duality pairing, for any $\varepsilon \in (0, 1)$ we have

$$\begin{aligned} \|w_R^\perp\|_{H^1(\Gamma_R)} \|f_R\|_{V'} &\geq \langle f_R, w_R^\perp \rangle_{V', V} = \|\nabla w_R^\perp\|_{L^2(\Gamma_R)}^2 - \lambda_1(\Gamma_R) \|w_R^\perp\|_{L^2(\Gamma_R)}^2 \\ &\geq \varepsilon \|\nabla w_R^\perp\|_{L^2(\Gamma_R)}^2 + ((1 - \varepsilon)\lambda_2(\Gamma_R) - \lambda_1(\Gamma_R)) \|w_R^\perp\|_{L^2(\Gamma_R)}^2. \end{aligned}$$

Using Lemma 2.1, we get $\lambda_1(\Gamma_R) < \lambda_1(\Gamma)$ and $\lambda_2(\Gamma_R) - \lambda_1(\Gamma_R) \geq \pi^2 - \lambda_1(\Gamma) = \omega^2$, hence

$$\varepsilon \|\nabla w_R^\perp\|_{L^2(\Gamma_R)}^2 + (\omega^2 - \varepsilon\pi^2) \|w_R^\perp\|_{L^2(\Gamma_R)}^2 \leq \|w_R^\perp\|_{H^1(\Gamma_R)} \|f_R\|_{V'}.$$

Choosing ε so that $\varepsilon = \omega^2 - \varepsilon\pi^2$, we obtain (2.18). From (2.18) we deduce (still using the condensed notation λ_R for $\lambda_1(\Gamma_R)$)

$$\begin{aligned} \|w_R\|_{H^1(\Gamma_R)} &\leq |\mu_R| \|v_R\|_{H^1(\Gamma_R)} + \|w_R^\perp\|_{H^1(\Gamma_R)} \\ &\leq \|v_R\|_{L^2(\Sigma_R)} \|v_R\|_{H^1(\Gamma_R)} + K \|f_R\|_{V'} \\ &\leq \sqrt{1 + \lambda_R} \|v_R\|_{L^2(\Sigma_R)} + K \|f_R\|_{V'} \\ &\leq \sqrt{1 + \pi^2} \|v_R\|_{L^2(\Sigma_R)} + K \|f_R\|_{V'}. \end{aligned} \quad (2.19)$$

As the duality pairing between $f_R \in V'$ and any $g \in V$ satisfies $\langle f_R, g \rangle_{V', V} = \int_{\Gamma_R} (\partial_R \lambda_R) v_R g dx - \int_{\Sigma_R} \partial_n^2 v_R g d\tau$, we get

$$|\langle f_R, g \rangle_{V', V}| \leq |\partial_R \lambda_R| \|g\|_{L^2(\Gamma_R)} + \|\partial_n^2 v_R\|_{L^2(\Sigma_R)} \|g\|_{L^2(\Sigma_R)}. \quad (2.20)$$

Using Lemma 1.3 that provides a uniform estimate of $\|g\|_{L^2(\Sigma_R)}$ by $\|g\|_{H^1(\Gamma_R)}$ (here the assumption $R \geq 1$ comes into play), we find that (2.20) becomes

$$|\langle f_R, g \rangle_{V', V}| \leq \left(|\partial_R \lambda_R| + C \|\partial_n^2 v_R\|_{L^2(\Sigma_R)} \right) \|g\|_{H^1(\Gamma_R)}$$

and we obtain

$$\|f_R\|_{V'} \leq |\partial_R \lambda_R| + C \|\partial_n^2 v_R\|_{L^2(\Sigma_R)}. \quad (2.21)$$

Combining estimates (2.19) and (2.21) with formula (2.12) yields

$$\|w_R\|_{H^1(\Gamma_R)} \leq \sqrt{1 + \pi^2} \|v_R\|_{L^2(\Sigma_R)} + K \left(\|v_R\|_{L^2(\Sigma_R)} \|\partial_n^2 v_R\|_{L^2(\Sigma_R)} + C \|\partial_n^2 v_R\|_{L^2(\Sigma_R)} \right).$$

The application of Lemma 2.3 ends the proof. \square

3. FICHERA LAYER: FINITENESS OF DISCRETE SPECTRUM

This section is devoted to the proof of our main theoretical result, that is Theorem 1.2 that describes the essential spectrum of the Dirichlet Laplacian \mathcal{L}_Λ on the Fichera layer and states the finiteness of its discrete spectrum. We also exhibit a lower bound for the whole spectrum of \mathcal{L}_Λ .

3.1. Essential spectrum. In this subsection we prove point i) of Theorem 1.2, i.e.,

$$\sigma_{\text{ess}}(\mathcal{L}_\Lambda) = [\lambda_1(\Gamma), +\infty). \quad (3.1)$$

The proof of (3.1) is made in two steps: first we establish the inclusion $[\lambda_1(\Gamma), +\infty) \subset \sigma_{\text{ess}}(\mathcal{L}_\Lambda)$, and second we show the inequality $\min \sigma_{\text{ess}}(\mathcal{L}_\Lambda) \geq \lambda_1(\Gamma)$. For this, we make use of the following result [6, Th.10.2.4]:

$$\mathcal{Q}_1 \leq \mathcal{Q}_2 \text{ in the sense of quadratic forms} \implies \min \sigma_{\text{ess}}(\mathcal{Q}_1) \leq \min \sigma_{\text{ess}}(\mathcal{Q}_2). \quad (3.2)$$

Proof of $[\lambda_1(\Gamma), +\infty) \subset \sigma_{\text{ess}}(\mathcal{L}_\Lambda)$. To prove this, it suffices to consider suitable Weyl sequences for the operator \mathcal{L}_Λ . Let v_∞ denote an eigenvector of \mathcal{L}_Γ associated with its first eigenvalue. Choose $\kappa \geq 0$ and $\chi \in \mathcal{D}(\mathbb{R})$ satisfying $\chi \equiv 1$ on $[1, 2]$ and $\text{supp}(\chi) \subset [\frac{1}{2}, \frac{5}{2}]$. The sequence (ψ_n) given by

$$\psi_n(\mathbf{x}) = \begin{cases} v_\infty(x_1, x_2) e^{i\kappa x_3} \frac{1}{\sqrt{n}} \chi\left(\frac{x_3}{n}\right), & \mathbf{x} = (x_1, x_2, x_3) \in \Gamma \times \mathbb{R}_+, \\ 0 & \mathbf{x} \in \Lambda \setminus (\Gamma \times \mathbb{R}_+). \end{cases}$$

is a suitable Weyl sequence for the value $\lambda_1(\Gamma) + \kappa^2$ and the operator \mathcal{L}_Λ . \square

Proof of $\min \sigma_{\text{ess}}(\mathcal{L}_\Lambda) \geq \lambda_1(\Gamma)$. Choose $R > 0$. Then, using subdomains introduced in (1.5)–(1.8), we see that

$$\Lambda_R \cup \Omega_R^1 \cup \Omega_R^2 \cup \Omega_R^3$$

is a domain partition of Λ in the sense of Section 1.3.4 and its associated quadratic form $\mathcal{Q}_\Lambda^{\text{Bro}}$ satisfies $\mathcal{Q}_\Lambda^{\text{Bro}} \leq \mathcal{Q}_\Lambda$. So, by (3.2)

$$\min \sigma_{\text{ess}}(\mathcal{Q}_\Lambda^{\text{Bro}}) \leq \min \sigma_{\text{ess}}(\mathcal{Q}_\Lambda).$$

As Λ_R is bounded and Ω_R^1, Ω_R^2 and Ω_R^3 are isometric, we find

$$\min \sigma_{\text{ess}}(\mathcal{Q}_\Lambda^{\text{Bro}}) = \min \sigma_{\text{ess}}(\mathcal{Q}_{\Omega_R^3}) \geq \lambda_1(\mathcal{Q}_{\Omega_R^3}),$$

where we recall that the quadratic $\mathcal{Q}_{\Omega_R^3}$ and its domain are defined according to the conventions of §1.3.4. Note that by definition, the domain Ω_R^3 satisfies

$$\Omega_R^3 = \{(x_1, x_2, x_3) \in \Lambda : x_3 > R \text{ and } (x_1, x_2) \in \Gamma_{x_3}\}, \quad (3.3)$$

where Γ_{x_3} is the finite waveguide of length x_3 defined in (1.10) taking $R = x_3$. Hence, for $u \in \text{Dom}(\mathcal{Q}_{\Omega_R^3})$ we have

$$\begin{aligned} \mathcal{Q}_{\Omega_R^3}(u) &= \int_R^\infty \left\{ \int_{\Gamma_{x_3}} (|\partial_1 u|^2 + |\partial_2 u|^2 + |\partial_3 u|^2) dx_1 dx_2 \right\} dx_3 \\ &\geq \int_{\Omega_R^3} \lambda_1(\Gamma_{x_3}) |u|^2 dx_1 dx_2 dx_3 \geq \lambda_1(\Gamma_R) \|u\|_{L^2(\Omega_R^3)}^2, \end{aligned}$$

where we used the monotonicity property (2.14) of the first eigenvalue $\lambda_1(\Gamma_{x_3}) = \lambda_{x_3}$ with respect to x_3 . We have finally obtained for any $R > 0$

$$\min \sigma_{\text{ess}}(\mathcal{L}_\Lambda) \geq \min \sigma(\mathcal{Q}_{\Omega_R^3}) \geq \lambda_1(\Gamma_R).$$

Combined with the convergence result $\lambda_1(\Gamma_R) \rightarrow \lambda_1(\Gamma)$ as $R \rightarrow \infty$ (Corollary 2.4), this yields the desired inequality. \square

3.2. Finiteness of the number of bound states. The purpose of this part is to prove

$$\#\left(\sigma(\mathcal{L}_\Lambda) \cap [0, \lambda_1(\Gamma))\right) < +\infty. \quad (3.4)$$

Proof step 1: Reduction to the residual domain Ω_L^3 . Like in the previous proof, we use for $L \geq 0$ the domain partition $\Lambda_L \cup \Omega_L^1 \cup \Omega_L^2 \cup \Omega_L^3$ of Λ . As a consequence of (1.14a)-(1.14b), if the number of eigenvalues under $\lambda_1(\Gamma)$ is finite for each of the operators acting on Λ_L , Ω_L^1 , Ω_L^2 , and Ω_L^3 , the same holds for \mathcal{L}_Λ . For each chosen L , this finiteness holds for the bounded domain Λ_L . Moreover the spectra of the three operators Ω_L^j are identical by symmetry. Thus (3.4) will be proved if there holds

$$\#\left(\sigma(\mathcal{Q}_{\Omega_L^3}) \cap [0, \lambda_1(\Gamma))\right) < +\infty. \quad (3.5)$$

for some $L \geq 0$. □

Proof step 2. A Born-Oppenheimer type lower bound. Recall that Ω_L^3 is the set of $\mathbf{x} \in \Lambda$ such that $x_3 > L$ and $(x_1, x_2) \in \Gamma_{x_3}$, cf. (3.3). In order to prove (3.5), we establish a lower bound for the associated quadratic form $\mathcal{Q}_{\Omega_L^3}$ by projection on the first eigenvector v_{x_3} of $\mathcal{L}_{\Gamma_{x_3}}$ for each $x_3 > L$. This is in the spirit of the so-called Born-Oppenheimer approximation [11, 24, 26]. Recall that for $R \geq 0$, v_R denotes the positive normalized eigenfunction associated with the first eigenvalue λ_R of \mathcal{L}_{Γ_R} . Now, R is set as the third coordinate x_3 of $\mathbf{x} \in \Omega_L^3$. For an improved readability we denote, cf. Table 1,

$$\lambda(x_3) := \lambda_1(\Gamma_{x_3}) \equiv \lambda_{x_3}, \quad \lambda_\infty := \lambda_1(\Gamma) \quad \text{and} \quad \omega = \sqrt{\pi^2 - \lambda_\infty}. \quad (3.6)$$

Lemma 3.1. *For any $L \geq 0$ and any $u \in L^2(\Omega_L^3)$ we introduce the orthogonal projections*

$$(\Pi_{x_3} u)(x_1, x_2, x_3) = f(x_3) v_{x_3}(x_1, x_2), \quad \Pi_{x_3}^\perp u = u - \Pi_{x_3} u, \quad \text{for } x_3 \geq L,$$

where for the sake of simplicity we set

$$f(x_3) = \int_{\Gamma_{x_3}} u(x_1, x_2, x_3) v_{x_3}(x_1, x_2) dx_1 dx_2.$$

Then, for all $\varepsilon \in (0, 1)$, there exists $L_0 \geq 1$, such that for all $L \geq L_0$ and $u \in \text{Dom}(\mathcal{Q}_{\Omega_L^3})$, we have, with notation (3.6),

$$\mathcal{Q}_{\Omega_L^3}(u) \geq (1 - \varepsilon) \|f'\|_{L^2(L, \infty)}^2 + \int_L^\infty (1 - e^{-2\omega(x_3 - L_0)}) \lambda(x_3) |f(x_3)|^2 dx_3 + \lambda_\infty \|\Pi_{x_3}^\perp u\|_{L^2(\Omega_L^3)}^2.$$

Proof. Thanks to the orthogonality in $L^2(\Gamma_{x_3})$ of $\Pi_{x_3} v$ and $\Pi_{x_3}^\perp v$ for any $v \in L^2(\Gamma_{x_3})$ we get

$$\|\partial_3 u\|_{L^2(\Omega_L^3)}^2 = \|\Pi_{x_3}(\partial_3 u)\|_{L^2(\Omega_L^3)}^2 + \|\Pi_{x_3}^\perp(\partial_3 u)\|_{L^2(\Omega_L^3)}^2.$$

Thus, for all $u \in \text{Dom}(\mathcal{Q}_{\Omega_L^3})$ we have

$$\begin{aligned} \mathcal{Q}_{\Omega_L^3}(u) &= \|\partial_3 u\|_{L^2(\Omega_L^3)}^2 + \int_L^\infty \mathcal{Q}_{\Gamma_{x_3}}(u) dx_3 \\ &\geq \|\Pi_{x_3}(\partial_3 u)\|_{L^2(\Omega_L^3)}^2 + \int_L^\infty \mathcal{Q}_{\Gamma_{x_3}}(u) dx_3. \end{aligned} \quad (3.7)$$

Now, since $u \in \text{Dom}(\mathcal{Q}_{\Omega_L^3})$, remark that $f \in H^1(L, +\infty)$ and that we have

$$\Pi_{x_3}(\partial_3 u)(x_1, x_2, x_3) = f'(x_3) v_{x_3}(x_1, x_2) - F(x_3) v_{x_3}(x_1, x_2), \quad (3.8)$$

where the commutator term F is given by (using the notation $w_{x_3} = \partial_3 v_{x_3}$, cf. Lemma 2.8)

$$\begin{aligned} F(x_3) &:= \int_{\Sigma_{x_3}^2} u(x_1, x_3, x_3) v_{x_3}(x_1, x_3) dx_1 + \int_{\Sigma_{x_3}^1} u(x_3, x_2, x_3) v_{x_3}(x_3, x_2) dx_2 \\ &+ \int_{\Gamma_{x_3}} u(x_1, x_2, x_3) w_{x_3}(x_1, x_2) dx_1 dx_2, \quad x_3 \geq L. \end{aligned}$$

On one hand, using Lemmas 2.3 and 2.8, we deduce the exponentially decreasing upper bound for F

$$|F(x_3)| \leq C e^{-\omega x_3} (\|u\|_{L^2(\Sigma_{x_3})} + \|u\|_{L^2(\Gamma_{x_3})}), \quad \forall x_3 \geq L.$$

Since $L \geq 1$, we can use Lemma 1.3 to bound the trace term $\|u\|_{L^2(\Sigma_{x_3})}$ by a multiple of $\|u\|_{H^1(\Gamma_{x_3})}$ uniformly in $x_3 > L$. Hence, with other constants C' and C'' independent of x_3

$$|F(x_3)| \leq C' e^{-\omega x_3} \|u\|_{H^1(\Gamma_{x_3})} \leq C'' e^{-\omega x_3} \sqrt{\mathcal{Q}_{\Gamma_{x_3}}(u)}, \quad \forall x_3 \geq L, \quad (3.9)$$

where we used the min-max principle and Point 2) in Remark 2.7 to obtain

$$\lambda(\Gamma_1) \|u\|_{L^2(\Gamma_{x_3})}^2 \leq \lambda(\Gamma_{x_3}) \|u\|_{L^2(\Gamma_{x_3})}^2 \leq \mathcal{Q}_{\Gamma_{x_3}}(u).$$

On the other hand, coming back to (3.8) we have for any $\varepsilon \in (0, 1)$

$$\begin{aligned} \|\Pi_{x_3}(\partial_3 u)\|_{L^2(\Omega_L^3)}^2 &\geq (1 - \varepsilon) \|f'(x_3) v_{x_3}(x_1, x_2)\|_{L^2(\Omega_L^3)}^2 + (1 - \varepsilon^{-1}) \|F(x_3) v_{x_3}(x_1, x_2)\|_{L^2(\Omega_L^3)}^2 \\ &= (1 - \varepsilon) \|f'\|_{L^2(L, \infty)}^2 + (1 - \varepsilon^{-1}) \|F\|_{L^2(L, \infty)}^2 \\ &\geq (1 - \varepsilon) \|f'\|_{L^2(L, \infty)}^2 - \varepsilon^{-1} \|F\|_{L^2(L, \infty)}^2. \end{aligned}$$

Now (3.9) yields, with a new constant C independent of x_3

$$\|F\|_{L^2(L, \infty)}^2 \leq C \int_L^\infty e^{-2\omega x_3} \mathcal{Q}_{\Gamma_{x_3}}(u) dx_3.$$

Hence we get

$$\|\Pi_{x_3}(\partial_3 u)\|_{L^2(\Omega_L^3)}^2 \geq (1 - \varepsilon) \|f'\|_{L^2(L, \infty)}^2 - C \varepsilon^{-1} \int_L^\infty e^{-2\omega x_3} \mathcal{Q}_{\Gamma_{x_3}}(u) dx_3.$$

Combining this with (3.7) we obtain

$$\mathcal{Q}_{\Omega_L^3}(u) \geq (1 - \varepsilon) \|f'\|_{L^2(L, \infty)}^2 + \int_L^\infty \mathcal{Q}_{\Gamma_{x_3}}(u) dx_3 - C \varepsilon^{-1} \int_L^\infty e^{-2\omega x_3} \mathcal{Q}_{\Gamma_{x_3}}(u) dx_3.$$

Let us fix $\varepsilon \in (0, 1)$ and choose $L_1 \geq 1$ such that $C \varepsilon^{-1} e^{-2\omega L_1} \leq 1$. Then we write for any $L \geq L_1$

$$\mathcal{Q}_{\Omega_L^3}(u) \geq (1 - \varepsilon) \|f'\|_{L^2(L, \infty)}^2 + \int_L^\infty (1 - e^{-2\omega(x_3 - L_1)}) \mathcal{Q}_{\Gamma_{x_3}}(u) dx_3. \quad (3.10)$$

But for $u \in \text{Dom}(\mathcal{Q}_{\Omega_L^3})$ we have for $x_3 \geq L$:

$$\begin{aligned} \mathcal{Q}_{\Gamma_{x_3}}(u) &= \mathcal{Q}_{\Gamma_{x_3}}(\Pi_{x_3} u) + \mathcal{Q}_{\Gamma_{x_3}}(\Pi_{x_3}^\perp u) \\ &\geq \lambda_1(\Gamma_{x_3}) \|\Pi_{x_3} u\|_{L^2(\Gamma_{x_3})}^2 + \lambda_2(\Gamma_{x_3}) \|\Pi_{x_3}^\perp u\|_{L^2(\Gamma_{x_3})}^2. \end{aligned}$$

Noting that $\|\Pi_{x_3} u\|_{L^2(\Gamma_{x_3})}^2 = |f(x_3)|^2$ we get (with notation (3.6))

$$\mathcal{Q}_{\Gamma_{x_3}}(u) \geq \lambda(x_3) |f(x_3)|^2 + \pi^2 \|\Pi_{x_3}^\perp u\|_{L^2(\Gamma_{x_3})}^2, \quad (3.11)$$

where we used point *ii*) of Lemma 2.1. Combining (3.10) and (3.11) yields

$$\mathcal{Q}_{\Omega_L^3}(u) \geq (1 - \varepsilon) \|f'\|_{L^2(L, \infty)}^2 + \int_L^\infty (1 - e^{-2\omega(x_3 - L_1)}) \left(\lambda(x_3) |f(x_3)|^2 + \pi^2 \|\Pi_{x_3}^\perp u\|_{L^2(\Gamma_{x_3})}^2 \right) dx_3$$

Take $L_0 > L_1$ such that $(1 - e^{-2\omega(L_0-L_1)})\pi^2 \geq \lambda_\infty$. For $L \geq L_0$ the previous estimate implies

$$\mathcal{Q}_{\Omega_L^3}(u) \geq (1 - \varepsilon)\|f'\|_{L^2(L,\infty)}^2 + \int_L^\infty (1 - e^{-2\omega(x_3-L_1)})\lambda(x_3)|f(x_3)|^2 dx_3 + \lambda_\infty \|\Pi_{x_3}^\perp u\|_{L^2(\Omega_L^3)}^2,$$

But since $(1 - e^{-2\omega(x_3-L_1)}) \geq (1 - e^{-2\omega(x_3-L_0)})$, the lemma is proved. \square

Taking advantage of the exponential convergence of $\lambda(x_3)$ toward λ_∞ , we deduce:

Corollary 3.2. *There exists $L_0 \geq 1$, such that for all $L \geq L_0$ and $u \in \text{Dom}(\mathcal{Q}_{\Omega_L^3})$, we have,*

$$\mathcal{Q}_{\Omega_L^3}(u) \geq \int_L^\infty \left(\frac{1}{2}|f'(x_3)|^2 + (\lambda_\infty - V_0(x_3))|f(x_3)|^2 \right) dx_3 + \lambda_\infty \|\Pi_{x_3}^\perp u\|_{L^2(\Omega_L^3)}^2 \quad (3.12)$$

with $V_0(x_3) = e^{-2\omega(x_3-L_0)}$ and with λ_∞ defined in (3.6).

Proof. Thanks to Lemma 3.1 with $\varepsilon = \frac{1}{2}$ we get the existence of $L_0^b \geq 1$ such that for all $L \geq L_0^b$:

$$\mathcal{Q}_{\Omega_L^3}(u) \geq \frac{1}{2}\|f'\|_{L^2(L,\infty)}^2 + \int_L^\infty (1 - e^{-2\omega(x_3-L_0^b)})\lambda(x_3)|f(x_3)|^2 dx_3 + \lambda_\infty \|\Pi_{x_3}^\perp u\|_{L^2(\Omega_L^3)}^2. \quad (3.13)$$

But:

$$\begin{aligned} (1 - e^{-2\omega(x_3-L_0^b)})\lambda(x_3) &= \lambda_\infty + (\lambda(x_3) - \lambda_\infty) - e^{-2\omega(x_3-L_0^b)}\lambda(x_3) \\ &\geq \lambda_\infty - C_1 e^{-2\omega x_3} - e^{-2\omega(x_3-L_0^b)}\lambda(x_3) \\ &\geq \lambda_\infty - C_1 e^{-2\omega x_3} - e^{-2\omega(x_3-L_0^b)}\lambda_\infty \end{aligned}$$

where we have used Corollary 2.4 and the monotonicity of λ . Hence, to obtain the corollary, it suffices to choose $L_0 \geq L_0^b$ such that $C_1 + e^{2\omega L_0^b}\lambda_\infty \leq e^{2\omega L_0}$. \square

This concludes step 2 of the proof of (3.4). \square

Proof step 3. Reduction to a one-dimensional Schrödinger operator. Taking advantage of Corollary 3.2, we extend the quadratic form in the right hand side of (3.12) to a larger functional space, defining the quadratic form $\mathcal{Q}^{\text{tens}}$ with tensor product domain:

$$\begin{aligned} \mathcal{Q}^{\text{tens}}(f, v) &= \int_L^\infty \left(\frac{1}{2}|f'(x_3)|^2 + (\lambda_\infty - V_0(x_3))|f(x_3)|^2 \right) dx_3 + \lambda_\infty \|v\|_{L^2(\Omega_L^3)}^2 \\ \text{Dom}(\mathcal{Q}^{\text{tens}}) &= H^1(L, +\infty) \times L^2(\Omega_L^3). \end{aligned}$$

Let $u \in \text{Dom}(\mathcal{Q}_{\Omega_L^3})$, thanks to (3.12) we have

$$\mathcal{Q}_{\Omega_L^3}(u) \geq \mathcal{Q}^{\text{tens}}(f, \Pi_{x_3} u), \quad \|u\|_{L^2(\Omega_L^3)}^2 = \|f\|_{L^2(L,+\infty)}^2 + \|\Pi_{x_3}^\perp u\|_{L^2(\Omega_L^3)}^2,$$

with $f(x_3) = \langle u, v_{x_3} \rangle_{L^2(\Gamma_{x_3})}$. This inequality and the natural embedding of domains

$$\begin{aligned} \text{Dom}(\mathcal{Q}_{\Omega_L^3}) &\longrightarrow \text{Dom}(\mathcal{Q}^{\text{tens}}) \\ u &\longmapsto (\langle u, v_{x_3} \rangle_{L^2(\Gamma_{x_3})}, \Pi_{x_3}^\perp u) \end{aligned}$$

imply by the min-max principle that the number of eigenvalues of $\mathcal{Q}_{\Omega_L^3}$ below λ_∞ is not greater than the number of eigenvalues of $\mathcal{Q}^{\text{tens}}$ below λ_∞ . Moreover, by construction, any eigenstate of $\mathcal{Q}^{\text{tens}}$ below λ_∞ is of the form $(f, 0)$, with f an eigenstate associated with a negative eigenvalue of the one-dimensional Schrödinger quadratic form

$$\mathcal{Q}^{\text{1D}}(f) = \int_L^{+\infty} \frac{1}{2}|f'(t)|^2 - V_0(t)|f(t)|^2 dt, \quad \text{Dom}(\mathcal{Q}^{\text{1D}}) = H^1(L, +\infty).$$

It remains to prove that the $\mathcal{Q}^{\text{1D}}(f)$ has at most a finite number of negative eigenvalues. \square

Proof step 4. Conclusion. As the potential V_0 of \mathcal{Q}^{1D} satisfies

$$\int_L^{+\infty} t V_0(t) dt < +\infty,$$

a Bargmann estimate (see [3] or [32, Thm. XIII.9 a)]) gives the finiteness of negative eigenvalues of \mathcal{Q}^{1D} . More precisely, in our case

$$\#\left(\sigma(\mathcal{Q}^{1D}) \cap (-\infty, 0)\right) \leq 1 + 2 \int_L^{+\infty} t V_0(t) dt,$$

where the shift of 1 with respect to [32, Thm. XIII.9 a)] comes from the fact that the operator with Neumann boundary condition in $x_3 = L$ is a perturbation of rank one of the same differential operator but with Dirichlet boundary condition in $x_3 = L$. This ends the proof of (3.4), i.e. of point *ii)* of Theorem 1.2. \square

3.3. Bounds for the discrete spectrum. As a consequence of (3.1), an upper bound for the discrete spectrum $\sigma_{\text{dis}}(\mathcal{L}_\Lambda)$ is $\lambda_1(\Gamma)$. We exhibit now a lower bound. First, we prove symmetry properties for possible eigenvectors.

Lemma 3.3. *Denote by \mathcal{P}^1 the diagonal plane $x_2 = x_3$, and $\mathcal{P}^2, \mathcal{P}^3$ by permutation of indices. Let u be an eigenvector of \mathcal{L}_Λ associated with a discrete eigenvalue. Then u satisfies Neumann conditions $\partial_n u = 0$ on the three diagonal planes $\mathcal{P}^\ell \cap \Lambda$, $\ell = 1, 2, 3$.*

Proof. Let us write the eigenvector u as the sum of its even and odd parts u_+ and u_- with respect to the plane \mathcal{P}^1 . The operator Δ and the domain Λ being invariant by the symmetry with respect to the plane \mathcal{P}^1 , the parts u_+ and u_- satisfy the same eigenproblem as u . The odd part u_- is zero on $\mathcal{P}^1 \cap \Lambda$, hence satisfies Dirichlet boundary conditions on the domain $\Pi^1 \cap \Lambda$, where Π^1 denotes the half-space $x_2 < x_3$. Let us notice that

$$\Pi^1 \cap \Lambda = \Pi^1 \cap (\Gamma \times \mathbb{R}).$$

Indeed, $\Pi^1 \cap \Lambda = \{x \in \mathbb{R}^3 : -1 < \min\{x_1, x_2, x_3\} < 0 \text{ and } x_2 < x_3\}$. But if $x_2 < x_3$, then $\min\{x_1, x_2, x_3\} = \min\{x_1, x_2\}$. Whence the above equality. Therefore we have

$$\lambda_1^{\text{Dir}}(\Pi^1 \cap \Lambda) = \lambda_1^{\text{Dir}}(\Pi^1 \cap (\Gamma \times \mathbb{R})),$$

where for a Lipschitz domain \mathcal{O} , as introduced in §1.3.3, $\lambda_i^{\text{Dir}}(\mathcal{O})$ denotes the i -th Rayleigh quotient of the Dirichlet Laplacian posed on \mathcal{O} . By Dirichlet bracketing $\lambda_1^{\text{Dir}}(\Pi^1 \cap (\Gamma \times \mathbb{R})) \geq \lambda_1^{\text{Dir}}(\Gamma \times \mathbb{R})$. This last quantity coincides with $\lambda_1(\Gamma)$, the infimum of the essential spectrum of \mathcal{L}_Λ . Thus we deduce that u_- is zero and are left with $u = u_+$. It proves that u is even with respect to the plane \mathcal{P}^1 , thus satisfies $\partial_n u = 0$ on \mathcal{P}^1 , and similarly for \mathcal{P}^2 and \mathcal{P}^3 . \square

Corollary 3.4. *With the definition (1.7) of Λ^3 (see also Figure 6), we denote by \mathcal{L}_{Λ^3} the realization of $-\Delta$ in Λ^3 with Dirichlet boundary conditions on $\partial\Lambda^3 \cap \partial\Lambda$ and Neumann boundary conditions on the remaining part of the boundary $\partial\Lambda^3 \cap (\mathcal{P}^1 \cup \mathcal{P}^2)$. Then*

$$\sigma_{\text{dis}}(\mathcal{L}_\Lambda) = \sigma_{\text{dis}}(\mathcal{L}_{\Lambda^3}) \quad \text{with multiplicities}$$

and the associated eigenvectors of \mathcal{L}_{Λ^3} are the restrictions to Λ^3 of the eigenvectors of \mathcal{L}_Λ .

Proof. Lemma 3.3 implies that if u is an eigenvector associated with an eigenvalue below $\lambda_1(\Gamma)$, then its restriction to Λ^3 is an eigenvector of \mathcal{L}_{Λ^3} associated with the same eigenvalue. Conversely, if u is an eigenvector of \mathcal{L}_{Λ^3} associated with an eigenvalue below $\lambda_1(\Gamma)$, we prove that it is symmetric with respect to the plane \mathcal{P}^3 by an argument similar as above: the odd part u_- of u is zero on the boundary of $\Lambda^3 \cap \Pi^3$ (with Π^3 the half-space $x_1 < x_2$). But $\Lambda^3 \cap \Pi^3 = (\mathcal{I} \times \mathbb{R}^2) \cap \Pi^3$, from which

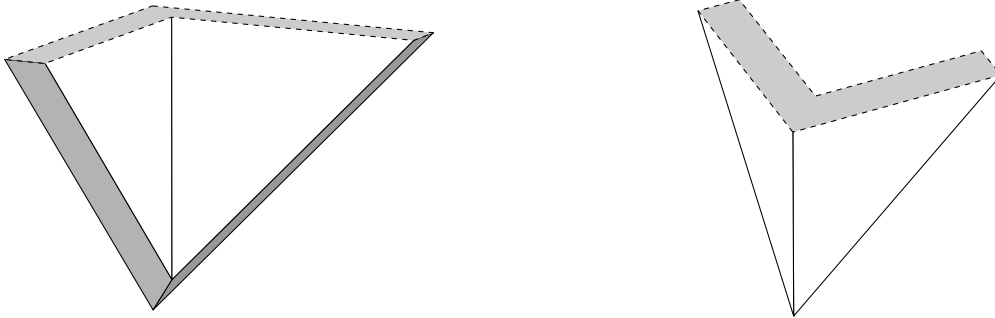


FIGURE 6. Two views of Λ^3 (cut by a plane perpendicular to the x_3 axis).

we deduce that u_- is zero. Hence, u can be extended to Λ by symmetry through \mathcal{P}^1 and \mathcal{P}^2 , defining an eigenvector of \mathcal{L}_Λ . \square

Notation 3.5. According to Table 1, we use the condensed notation $\lambda(x_3)$ for $\lambda_1(\Gamma_{x_3})$ ($x_3 > -1$). For any $L > -1$, let \mathcal{V}_L be the Sturm-Liouville operator with potential $\lambda : x_3 \mapsto \lambda(x_3)$ on (L, ∞) :

$$\mathcal{V}_L : q \mapsto -q'' + \lambda q, \quad \text{Dom}(\mathcal{V}_L) = \{q \in H^2(L, +\infty) : q'(L) = 0\}. \quad (3.14)$$

Let $\mu(L)$ be its lowest eigenvalue and q_L be its normalized eigenfunction satisfying $q_L(L) > 0$.

Before stating the main result of this paragraph, we need the following two lemmas.

Lemma 3.6. *There holds:*

- i) $\lambda(x_3) = \frac{\pi^2}{2}(1+x_3)^{-2}$ for $x_3 \in (-1, 0]$, in particular λ is analytic and decreasing on $(-1, 0]$;
- ii) λ is analytic and increasing on $(0, +\infty)$;
- iii) λ has a right limit in $x_3 = 0$ satisfying $\lambda(0_+) \geq \lambda(0) = \frac{\pi^2}{2}$.

Proof. For Point *i*) we remark that if $x_3 \leq 0$, $\lambda(x_3)$ is the first eigenvalue of a Laplacian on a square of size $(1+x_3)$ with Dirichlet boundary condition on $\partial\Gamma \cap \square_{1+x_3}$ and Neumann on the remaining part of the boundary. This yields Point *i*) immediately and we notice that $\lim_{x_3 \rightarrow 0^-} \lambda(x_3) = \frac{\pi^2}{2}$.

Point *ii*) is a direct consequence of Lemma 2.5 and (2.14).

Concerning Point *iii*), for any positive x_3 , we apply the argument (1.14a)-(1.14b) to the partition of Γ_{x_3} into Γ_0 , $\mathcal{T}_{x_3}^1$ and $\mathcal{T}_{x_3}^2$ and find

$$\lambda(x_3) \geq \min \{ \lambda(0), \lambda_1(\mathcal{T}_{x_3}^1), \lambda_1(\mathcal{T}_{x_3}^2) \}.$$

Since $\lambda_1(\mathcal{T}_{x_3}^j) = \pi^2$ for $j = 1, 2$, which is larger than $\lambda(0)$, we find that $\lambda(x_3) \geq \lambda(0)$ for all positive x_3 . As the function λ is increasing on $(0, \infty)$, it has a right limit $\lambda(0_+) \geq \lambda(0)$ in $x_3 = 0$. \square

Lemma 3.7. *The first eigenvalue $\mu(L)$ of the Sturm-Liouville operator \mathcal{V}_L defines a \mathcal{C}^0 function μ on $(-1, +\infty)$ and the following holds:*

- i) For all $L \neq 0$, μ has a derivative that satisfies $\mu'(L) = (\mu(L) - \lambda(L)) q_L(L)^2$,
- ii) For all $L \geq 0$, $\mu(L) > \lambda(L)$,
- iii) For all $L \in (-1, +\infty)$, $\mu(L) \leq \lambda_\infty$ (where λ_∞ is defined in (3.6)).

Proof. The continuity of $\mu(L)$ is obtained via its characterization by the min-max principle and the continuity of its associated Rayleigh quotient. Point *i*) is straightforward application of the main result in [14]. About Point *ii*), using that λ is increasing on $[0, +\infty)$ we know that for all $L \geq 0$

$$\mu(L) = \int_L^{+\infty} (|q'_L|^2 + \lambda(x_3)|q_L|^2) dx_3 \geq \int_L^{+\infty} |q'_L|^2 dx_3 + \lambda(L) > \lambda(L),$$

where the strict inequality holds because q'_L can not be identically zero otherwise q_L would be constant, which is incompatible with the eigen-equation verified by q_L .

Finally Point *iii*) is a consequence of the fact that the potential λ of the Sturm-Liouville operator \mathcal{V}_L is smaller than λ_∞ on the unbounded interval $(0, \infty)$. Therefore λ_∞ belongs to the essential spectrum of \mathcal{V}_L and is an upper bound for $\mu(L)$. \square

We are ready to prove the following proposition.

Proposition 3.8. *With Notation 3.5, the first Rayleigh quotient of the Fichera layer $\lambda_1(\Lambda)$ admits the lower bound*

$$\lambda_1(\Lambda) \geq \inf_{L > -1} \mu(L). \quad (3.15)$$

and there exists a unique element $L^* \in (-1, \infty)$ such that

$$\inf_{L > -1} \mu(L) = \mu(L^*).$$

Moreover L^* belongs to $(-1, 0)$ and satisfies $\mu(L^*) = \lambda(L^*)$.

Proof. By Corollary 3.4, it suffices to consider the operator \mathcal{L}_{Λ^3} . Let $u \in \text{Dom}(\mathcal{L}_{\Lambda^3})$ such that $\|u\|_{L^2(\Lambda^3)} = 1$. We bound its energy from below:

$$\begin{aligned} \int_{\Lambda^3} |\nabla u|^2 dx_1 dx_2 dx_3 &= \int_{-1}^{\infty} \left(\int_{\Gamma_{x_3}} (|\partial_1 u|^2 + |\partial_2 u|^2 + |\partial_3 u|^2) dx_1 dx_2 \right) dx_3 \\ &\geq \int_{-1}^{\infty} \left(\int_{\Gamma_{x_3}} (\lambda(x_3)|u|^2 + |\partial_3 u|^2) dx_1 dx_2 \right) dx_3 \\ &\geq \int_{\Gamma} \left(\int_{\max\{x_1, x_2\}}^{\infty} (\lambda(x_3)|u|^2 + |\partial_3 u|^2) dx_3 \right) dx_1 dx_2 \\ &\geq \int_{\Gamma} \mu(\max\{x_1, x_2\}) \left(\int_{\max\{x_1, x_2\}}^{\infty} |u|^2 dx_3 \right) dx_1 dx_2 \\ &\geq \inf_{L > -1} \mu(L) \int_{\Lambda^3} |u|^2 dx_1 dx_2 dx_3, \end{aligned}$$

which proves (3.15). Thanks to Lemma 3.6 *i*) we know that $\lim_{x_3 \rightarrow -1+} \lambda(x_3) = +\infty$ and thanks to Lemma 3.7 *iii*) we know that $\mu(L) \leq \lambda_\infty$ for all $L \in (-1, +\infty)$. In particular, in a neighborhood of -1 we have $\mu < \lambda$. Combining Lemma 3.7 *ii*) and Lemma 3.6 *iii*), we know that $\mu > \lambda$ in a neighborhood of 0 . Since $\mu - \lambda$ is continuous on $(-1, 0)$, the functions μ and λ cross at a lowest point $L^* \in (-1, 0)$. They cannot cross again due to Lemma 3.6 *i*) and Lemma 3.7 *i*): λ is decreasing while μ is increasing on $(L^*, 0)$. \square

Remark 3.9. In fact the function λ is continuous in 0 , i.e. $\lambda(0_+) = \lambda(0)$. But the convergence to $\lambda(0)$ on the right is very slow, behaving as $1/|\log x_3|$, as in the case of a small Dirichlet hole [5, 27]. This is illustrated by the plots in Figure 7 where λ and μ are represented as functions of x_3 (computation details are provided in the next section). We can see that the function μ is piecewise \mathcal{C}^1 (μ' has a discontinuity in 0) and reaches its minimum at its intersection point with λ .

4. FICHERA LAYER: NUMERICAL EVIDENCE OF DISCRETE SPECTRUM

Here we address the issue of existence of bound states for the Dirichlet Laplacian \mathcal{L}_Λ on the Fichera layer. In absence of a theoretical proof for the existence of discrete eigenvalues, we investigate the spectrum of \mathcal{L}_Λ by means of Galerkin projections using finite element approximations.

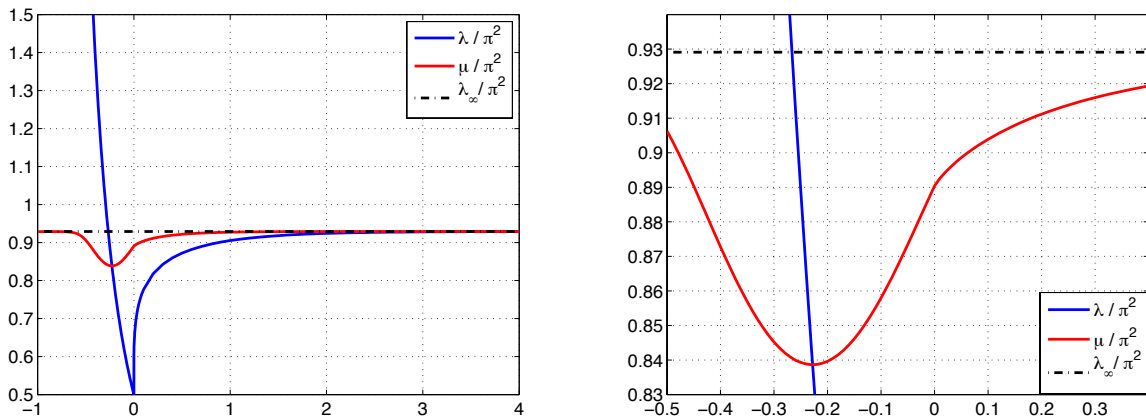


FIGURE 7. Normalized functions $x_3 \mapsto \lambda(x_3)/\pi^2$ and $x_3 \mapsto \mu(x_3)/\pi^2$ (with zoom).

It is a classical result that, in presence of exact geometric description and exact quadrature, the computed eigenvalues are *larger* than those of the original problem, see for instance the short survey [15, Section 1].

4.1. Finite two-dimensional guides. Beforehand, we compute an approximation of the functions λ and μ , cf. Figure 7. Since λ is explicit when $x_3 \equiv R \leq 0$, we only need to compute it when R is positive. In order to deal with a single domain and a single finite element mesh, we perform the change of variables (2.9) that transforms Γ_R into Γ_1 . We use a quadrilateral strongly refined mesh with 4 layers and a refinement ratio of 0.1 around the nonconvex corner $(0, 0)$. For the results in Figure 7, the interpolation degree p is chosen equal to 16. Values of R are sampled between 0.001 and 10. Varying the interpolation degree p shows that we may expect 5 or 6 correct digits when $p = 16$.

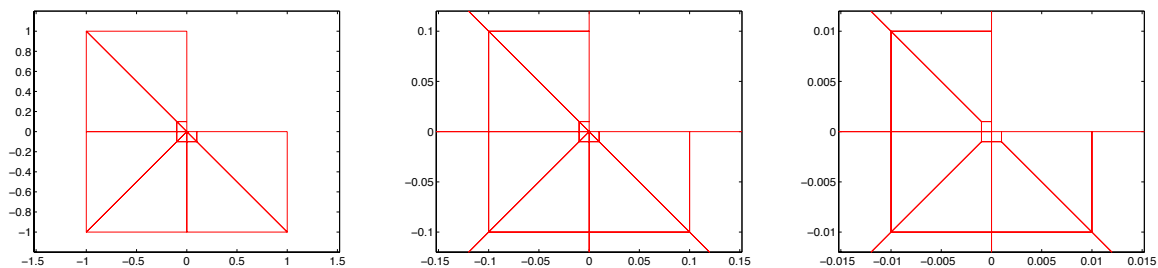


FIGURE 8. Mesh of Γ_1 with 4 layers and ratio 0.1, and zoom by factors 10 and 100.

These computations allow to find numerical upper and lower bounds for the first Rayleigh quotient $\lambda_1(\Lambda)$ of the Fichera layer.

4.1.1. Upper bound. To evaluate λ_∞ , we compute the first eigenvalue of the Laplacian on Γ_R either with Dirichlet or Neumann conditions on Σ_R , (and still Dirichlet conditions on $\partial\Gamma_R \setminus \Sigma_R$). Denote by $\lambda_1^{\text{Dir}}(\Gamma_R)$ and $\lambda_1^{\text{Mix}}(\Gamma_R) \equiv \lambda_R$, respectively, these eigenvalues.

We perform the computations for a sample of values of R . The log of their difference is plotted in Figure 9, together with its slope with respect to R . The slope converges to a number $-\alpha$, which means the exponential convergence

$$\lambda_1^{\text{Dir}}(\Gamma_R) - \lambda_1^{\text{Mix}}(\Gamma_R) \sim e^{-\alpha R} \quad \text{with} \quad \alpha \simeq 1.672782. \quad (4.1)$$

As an approximation of λ_∞ , we take the mean value of $\lambda_1^{\text{Dir}}(\Gamma_R)$ and $\lambda_1^{\text{Mix}}(\Gamma_R)$ for $R = 10$

$$\frac{1}{2}(\lambda_1^{\text{Dir}}(\Gamma_{10}) + \lambda_1^{\text{Mix}}(\Gamma_{10})) \simeq 0.9291205 \pi^2 := \tilde{\lambda}_\infty.$$

We notice that, with this numerical value, the theoretical exponential convergence $\simeq e^{-2R\tilde{\omega}}$ stated by Corollary 2.4 becomes

$$e^{-2R\tilde{\omega}} \quad \text{with} \quad 2\tilde{\omega} = 2\pi\sqrt{1 - 0.9291205} \simeq 1.672785,$$

which is very close to the observed α in (4.1).

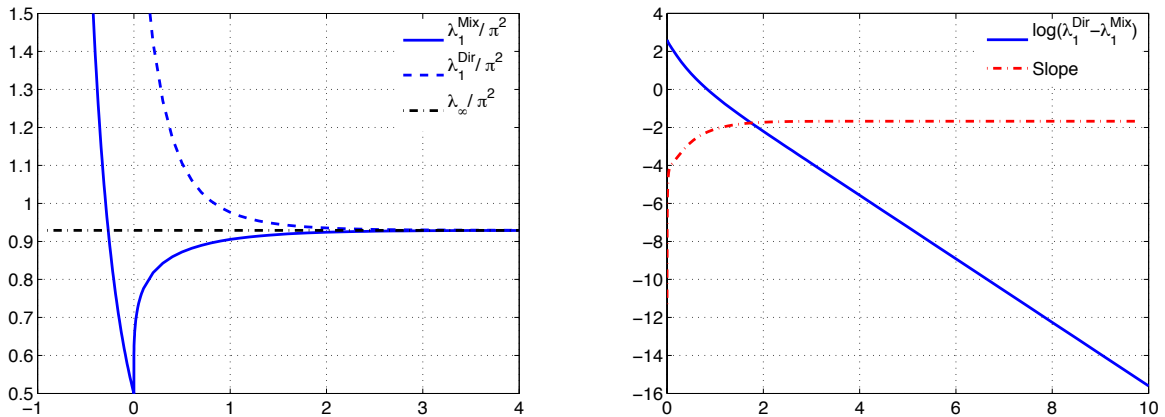


FIGURE 9. Computed eigenvalues $\lambda_1^{\text{Dir}}(\Gamma_R)$ and $\lambda_1^{\text{Mix}}(\Gamma_R)$ as functions of R (left), \log of difference $\lambda_1^{\text{Dir}}(\Gamma_R) - \lambda_1^{\text{Mix}}(\Gamma_R)$ and slope (right).

We also notice that the value $\tilde{\lambda}_\infty/\pi^2 = 0.9291205$ is smaller, thus more precise, than the value 0.92934 computed in [15]: here the strongly refined mesh and the polynomials of degree 16 capture the corner singularity of the eigenvectors more effectively than the uniform triangular mesh with polynomials of degree 6 used in [15].

4.1.2. *Lower bound.* Computing $\lambda_1^{\text{Mix}}(\Gamma_R) \equiv \lambda(R)$ for a sufficiently dense sample of values of R allows to evaluate in turn the first eigenvalue μ of the Sturm Liouville operator (3.14) $\mathcal{V}_L : q \mapsto -q'' + \lambda q$ for a sample of values of L , as shown in Figure 7: here the computation is performed with polynomials of degree 10 on the interval $[L, 40]$ with Neumann conditions at the two ends. This yields an evaluation of the quantities L^* and $\mu(L^*)$ defined in Proposition 3.8:

$$L^* \simeq -0.228 \quad \text{and} \quad \mu(L^*) \simeq 0.838653 \pi^2.$$

Thus the first Rayleigh quotient $\lambda_1(\Lambda)$ of the Fichera layer satisfies

$$0.838653 \pi^2 \leq \lambda_1(\Lambda) \leq 0.9291205 \pi^2. \quad (4.2)$$

4.2. **Finite Fichera layers.** We compute the first eigenvalues of the bilinear form $\mathcal{Q} = \nabla \cdot \nabla$ on finite layers Λ_R with Dirichlet or Neumann boundary conditions on the part Σ_R of the boundary of Λ_R (and Dirichlet on $\partial\Lambda_R \cap \partial\Lambda$ in both cases). Let us denote them by $\lambda_\ell^{\text{Dir}}(\Lambda_R)$ and $\lambda_\ell^{\text{Mix}}(\Lambda_R)$, respectively. We have the inequalities

$$\lambda_\ell^{\text{Mix}}(\Lambda_R) \leq \lambda_\ell^{\text{Dir}}(\Lambda_R) \quad \text{and} \quad \lambda_\ell^{\text{Dir}}(\Lambda) \leq \lambda_\ell^{\text{Dir}}(\Lambda_R), \quad \forall j \geq 1, \quad \forall R > -1. \quad (4.3)$$

Beforehand, we compute the first eigenvalue $\mu(L, R)$ of the Sturm-Liouville operators $\mathcal{V}_{L,R} : q \mapsto -q'' + \lambda q$ on the interval (L, R) with Neumann condition at L and Dirichlet condition at R . By a

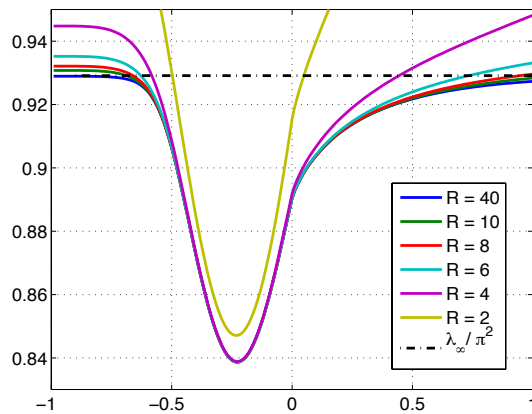


FIGURE 10. First eigenvalues $\mu(L, R)$ (divided by π^2) of Sturm-Liouville operators $\mathcal{V}_{L,R}$ as functions of L for $R = 2, 4, 6, 8, 10$ and 40 .

reasoning similar to Lemma 3.7 we find the lower bound for $\lambda_1^{\text{Dir}}(\Lambda_R)$

$$\lambda_1^{\text{Dir}}(\Lambda_R) \geq \min_{L \in (-1, R)} \mu(L, R). \quad (4.4)$$

From Figure 10, we see that the value of R has a very slight influence on $\min_L \mu(L, R)$ as soon as $R \geq 4$. Moreover, the values for $R = 40$ are very close to those presented in Figure 7 for which the Neumann condition at $R = 40$ was imposed.

We compute the first three eigenvalues $\lambda_\ell^{\text{Dir}}(\Lambda_R)$, $j = 1, 2, 3$, for R ranging from 2 to 10, and $\lambda_\ell^{\text{Mix}}(\Lambda_R)$ for the same values of R for comparison sake, see Figure 11. We use three structured tensor hexahedral grids \mathfrak{G}_1 , \mathfrak{G}_2 , and \mathfrak{G}_3 on the finite Fichera layers Λ_R (see details in Appendix A) combined with the interpolation degrees $p = 4, 2$ and 1 , respectively. In all these configurations, the number of degrees of freedom is 20293 when $R = 2$ and 36829 for larger values of R .

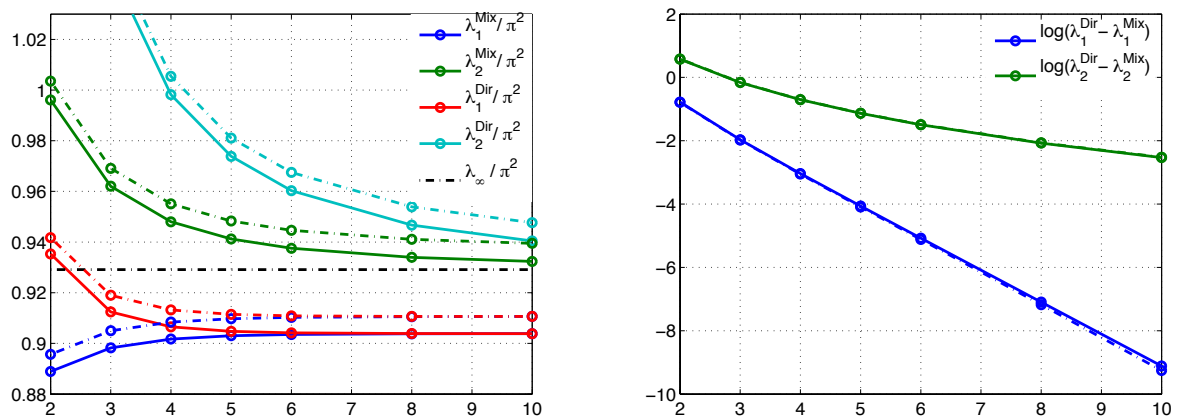


FIGURE 11. Computed eigenvalues $\lambda_\ell^{\text{Dir}}(\Lambda_R)$ and $\lambda_\ell^{\text{Mix}}(\Lambda_R)$ as functions of R (left), \log of difference $\lambda_\ell^{\text{Dir}}(\Lambda_R) - \lambda_\ell^{\text{Mix}}(\Lambda_R)$ (right). Solid lines: $p = 4$ on \mathfrak{G}_1 , dash and dots: $p = 1$ on \mathfrak{G}_3 . The results with $p = 2$ on \mathfrak{G}_2 are very close to $p = 4$ on \mathfrak{G}_1 and are not plotted.

We do not plot the third eigenvalue because it is identical (within 13 digits) to the second one. We notice the numerical evidence of exactly one discrete eigenvalue under the essential spectrum of \mathcal{L}_Λ :

- i) As soon as $R \geq 3$, both $\lambda_1^{\text{Dir}}(\Lambda_R)$ and $\lambda_1^{\text{Mix}}(\Lambda_R)$ are smaller than λ_∞
- ii) The difference $\lambda_1^{\text{Dir}}(\Lambda_R) - \lambda_1^{\text{Mix}}(\Lambda_R)$ converges exponentially to 0 with respect to R .
- iii) $\lambda_2^{\text{Dir}}(\Lambda_R)$ and $\lambda_2^{\text{Mix}}(\Lambda_R)$ tend to λ_∞ by superior values.
- iv) The difference $\lambda_2^{\text{Dir}}(\Lambda_R) - \lambda_2^{\text{Mix}}(\Lambda_R)$ converges slowly to 0.

The observed convergence rate β such that $\lambda_1^{\text{Dir}}(\Lambda_R) - \lambda_1^{\text{Mix}}(\Lambda_R) \simeq e^{-\beta R}$ is slightly larger than 1. Extrapolating from computations on the same grid with degrees p from 1 to 8 yields the estimate

$$0.9031\pi^2 < \lambda_1(\Lambda) < 0.9033\pi^2.$$

A theoretical Agmon-type exponential decay estimate is $e^{-2\gamma R}$ with $\gamma = \sqrt{\lambda_\infty - \lambda_1(\Lambda)}$. With the numerical values $0.9291\pi^2$ for λ_∞ and $0.9033\pi^2$ for $\lambda_1(\Lambda)$, we find $\gamma \simeq 0.5046$, which is coherent with $2\gamma \simeq \beta \simeq 1$.

The relative gap between the bound state and the bottom of the essential spectrum is

$$g(\Lambda) := \frac{\lambda_1(\Gamma) - \lambda_1(\Lambda)}{\lambda_1(\Lambda)} \simeq \frac{0.9291 - 0.9032}{0.9032} \simeq 0.029. \quad (4.5)$$

We represent in Figure 12 slices of the eigenvectors associated with the first and second eigenvalues $\lambda_1^{\text{Mix}}(\Lambda_R)$ and $\lambda_2^{\text{Mix}}(\Lambda_R)$ for $R = 4$. We slice the domain Λ_R by the plane \mathcal{P} of equation $x_1 = x_2$. The first eigenvector is concentrated near the origin and is close to the restriction of the first eigenvector on the infinite Fichera layer Λ . We can see that the decay is slower along the edge $x_1 = x_2 = 0$ (vertical leg in the figure) than in the horizontal leg that goes away from the edges. The second eigenvector is a manifestation of the essential spectrum and concentrates along the edge.

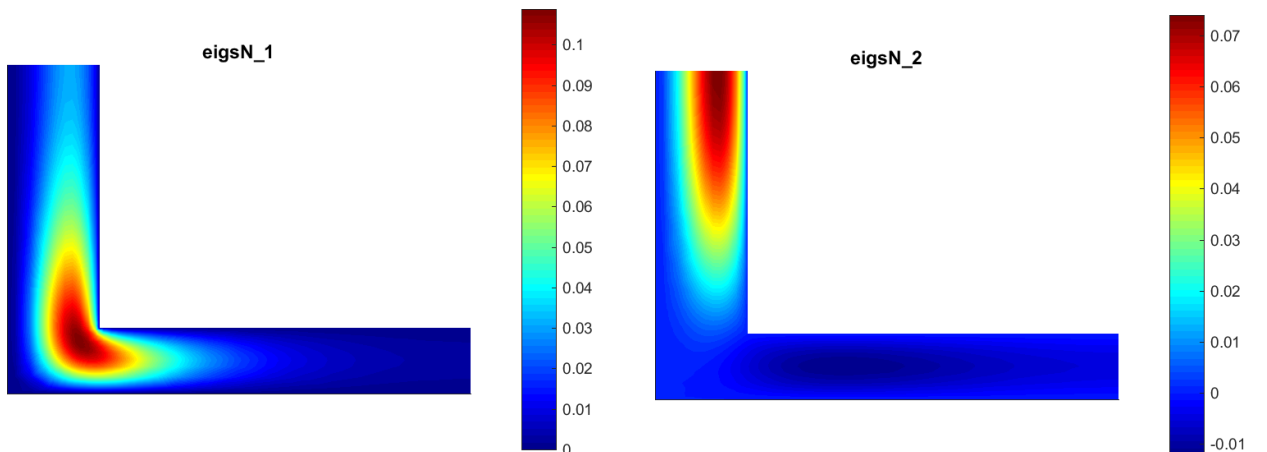


FIGURE 12. Slices of eigenvectors associated with $\lambda_1^{\text{Mix}}(\Lambda_4)$ (left) and $\lambda_2^{\text{Mix}}(\Lambda_4)$ (right) through the plane $x_1 = x_2$. The vertical leg has length 4 and width $\sqrt{2}$ whereas the horizontal leg has length $4\sqrt{2}$ and width 1.

5. TWO EXTENSIONS

In this section we discuss two extensions of Theorem 1.2. The first one is about the layer with rounded edges Λ^\sharp and the second one concerns the three-dimensional cross \mathcal{Y} , both introduced in §1.2. A similar strategy could be applied to investigate the layer Λ^\flat (also introduced in §1.2).

The theoretical investigation of Λ^\sharp and \mathcal{Y} follows the same lines as for the Fichera layer Λ . Let us bring out the main points of the rationale of our proof:

- (a) There are two-dimensional waveguides canonically associated with Λ^\sharp and \mathcal{Y} . The Dirichlet spectrum in these waveguides has the same structure as in Theorem 1.1: the essential spectrum coincides with $[\pi^2, +\infty)$ and there is a (unique) bound state, as in Theorem 1.1.

- (b) The eigenvalues of the truncated guides converge exponentially to the one on the entire waveguide, as in Corollary 2.4.
- (c) If they exist, the eigenfunctions in Λ^\sharp or \mathcal{Y} have symmetry properties, which allows to reduce the problem to truncated layers around each edge as in Corollary 3.4.
- (d) The Born-Oppenheimer strategy of §3.2 reduces the study to a Sturm-Liouville operator with an adequate potential which has a finite number of bound states.

To keep the discussion concise and avoid redundancies, we choose to skip proof details for Λ^\sharp and \mathcal{Y} and focus on numerical results.

5.1. Fichera layer with exterior rounded edges. Let us start by defining the geometrical objects we are interested in. Recall that the surface \mathcal{S}^0 is defined as $\{\mathbf{x} \in \mathbb{R}^3 : \min\{x_1, x_2, x_3\} = 0\}$. Note that it coincides with the boundary $\partial\mathbb{R}_+^3$ of the first octant \mathbb{R}_+^3 . The layer Λ^\sharp is

$$\Lambda^\sharp = \{\mathbf{x} \in \mathbb{R}^3 \setminus \overline{\mathbb{R}_+^3} : \text{dist}(\mathbf{x}, \partial\mathbb{R}_+^3) < 1\}.$$

Its two-dimensional analogue is the guide Γ^\sharp (see Figure 2, right) that is defined as

$$\Gamma^\sharp = \{\mathbf{x} \in \mathbb{R}^2 \setminus \overline{\mathbb{R}_+^2} : \text{dist}(\mathbf{x}, \partial\mathbb{R}_+^2) < 1\}.$$

Theorem 5.1. *With the broken guide Γ^\sharp and $\mathcal{L}_{\Gamma^\sharp}$ the positive Dirichlet Laplacian on Γ^\sharp , there holds:*

- i) *The essential spectrum of $\mathcal{L}_{\Gamma^\sharp}$ coincides with $[\pi^2, +\infty)$;*
- ii) *The operator $\mathcal{L}_{\Gamma^\sharp}$ has exactly one eigenvalue under its essential spectrum denoted by $\lambda_1(\Gamma^\sharp)$.*

Remark that Theorem 5.1 is not a direct consequence of [17] because the hypothesis of *loc. cit.* on the curvature is not satisfied. For completeness, we present a proof in Appendix B.

The analogue of Theorem 1.2, stated for the layer Λ^\sharp , reads as follows:

Theorem 5.2. *Let $\mathcal{L}_{\Lambda^\sharp}$ be the positive Dirichlet Laplacian on Λ^\sharp . There holds:*

- i) *The essential spectrum of $\mathcal{L}_{\Lambda^\sharp}$ coincides with $[\lambda_1(\Gamma^\sharp), +\infty)$;*
- ii) *$\mathcal{L}_{\Lambda^\sharp}$ has at most a finite number of eigenvalues under its essential spectrum.*

We present now in §5.1.1 computations supporting point (b) above (exponential convergence in two-dimensional finite guides). Next in §5.1.2, we give numerical evidence about the existence of exactly one bound state for Λ^\sharp .

5.1.1. Two-dimensional rounded guides. For $R \geq 0$, we define the finite broken guide Γ_R^\sharp like we did in (1.10)

$$\Gamma_R^\sharp = \Gamma^\sharp \cap \square_{R+1}.$$

Note that the part of its boundary at “distance” R , i.e. $\partial\Gamma^\sharp \cap \partial\square_{R+1}$, coincides with Σ_R in (1.12).

Like in Section 4.1, $\lambda_1^{\text{Dir}}(\Gamma_R^\sharp)$ and $\lambda_1^{\text{Mix}}(\Gamma_R^\sharp)$ denote the first eigenvalues of the Laplace operator in Γ_R^\sharp with Dirichlet and mixed ($\partial_N\Gamma_R^\sharp = \Sigma_R$) boundary conditions, respectively. The counterpart of Corollary 2.4 for the guide Γ^\sharp writes as follows.

Corollary 5.3. *With the positive number $\omega^\sharp = \sqrt{\pi^2 - \lambda_1(\Gamma^\sharp)}$, there exists a constant C^\sharp such that*

$$\forall R \geq 1, \quad 0 \leq \lambda_1(\Gamma^\sharp) - \lambda_1^{\text{Mix}}(\Gamma_R^\sharp) \leq C^\sharp e^{-2R\omega^\sharp}.$$

Similarly as in §4.1.1, to evaluate $\lambda_1(\Gamma^\sharp)$ we compute $\lambda_1^{\text{Dir}}(\Gamma_R^\sharp)$ and $\lambda_1^{\text{Mix}}(\Gamma_R^\sharp)$ for a sample of values of R (see Figure 13, left). We observe the numerical exponential convergence

$$\lambda_1^{\text{Dir}}(\Gamma_R^\sharp) - \lambda_1^{\text{Mix}}(\Gamma_R^\sharp) \sim e^{-\alpha R} \quad \text{with} \quad \alpha = 0.7293. \quad (5.1)$$

As an approximation of $\lambda_1(\Gamma^\sharp)$, we take the mean value of $\lambda_1^{\text{Dir}}(\Gamma_R^\sharp)$ and $\lambda_1^{\text{Mix}}(\Gamma_R^\sharp)$ for $R = 12$:

$$\lambda_1(\Gamma^\sharp) \simeq 0.9865\pi^2. \quad (5.2)$$

With this numerical value, the convergence rate expected in Corollary 5.3 becomes $e^{-2R\tilde{\omega}^\sharp}$ with $2\tilde{\omega}^\sharp = 0.7294$. This is consistent with the observed slope given in (5.1).

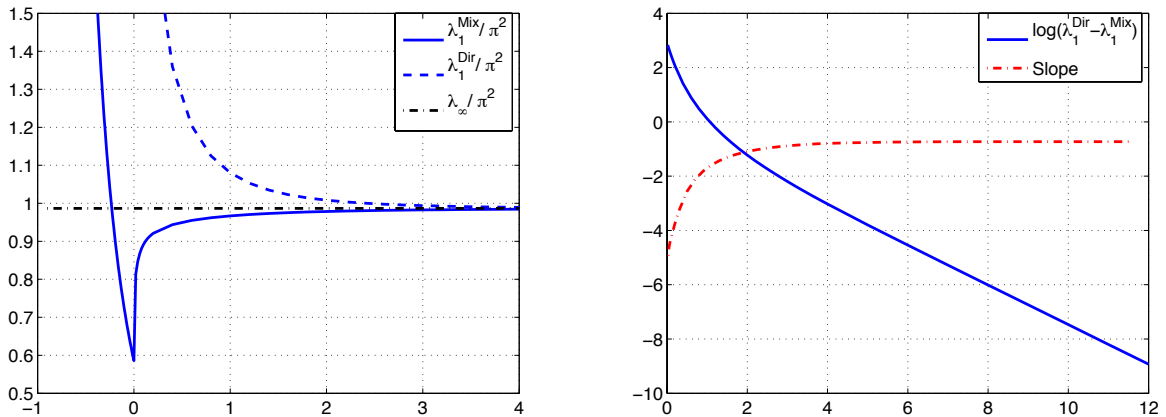


FIGURE 13. Computed eigenvalues $\lambda_1^{\text{Dir}}(\Gamma_R^\sharp)$ and $\lambda_1^{\text{Mix}}(\Gamma_R^\sharp)$ as functions of R (left), \log of difference $\lambda_1^{\text{Dir}}(\Gamma_R^\sharp) - \lambda_1^{\text{Mix}}(\Gamma_R^\sharp)$ and slope (right).

5.1.2. *Three-dimensional rounded layers.* For $R \geq 0$, we define the finite layers like in (1.5)

$$\Lambda_R^\sharp := \Lambda^\sharp \cap \square_{R+1},$$

To find approximate Rayleigh quotients of $\mathcal{L}_{\Lambda^\sharp}$, we compute the first two eigenvalues $\lambda_\ell^{\text{Dir}}(\Lambda_R^\sharp)$ and $\lambda_\ell^{\text{Mix}}(\Lambda_R^\sharp)$ ($\ell = 1, 2$), of the Laplacian on Λ_R^\sharp , with Dirichlet boundary conditions on $\partial\Lambda^\sharp \cap \partial\Lambda_R^\sharp$ and Dirichlet or Neumann conditions in what remains of the boundary. In Figure 14, we plot the results for R ranging from 4 to 16. We used a tetrahedral mesh, see Figure 17, and an interpolation of degree 6. Like for the Fichera layer (see §4.2) the existence of a unique bound state is clearly exhibited. We find the value

$$\lambda_1(\Lambda^\sharp) \simeq 0.9817\pi^2.$$

Using (5.2), we know that the threshold of the essential spectrum for the layer Λ^\sharp is given by $\lambda_1(\Gamma^\sharp) \simeq 0.9865\pi^2$. Thus the relative gap between the bound state and the bottom of the essential spectrum is

$$g(\Lambda^\sharp) := \frac{\lambda_1(\Gamma^\sharp) - \lambda_1(\Lambda^\sharp)}{\lambda_1(\Lambda^\sharp)} \simeq \frac{0.9865 - 0.9817}{0.9817} \simeq 0.0049. \quad (5.3)$$

Compared to (4.5), there is less room for a bound state to exist than in the Fichera layer Λ .

5.2. **Three-dimensional cross.** Recall that the cross waveguide \mathcal{X} and the three-dimensional analogue \mathcal{Y} are defined in (1.2). The following result is known, see [31, §3.4].

Theorem 5.4 ([31]). *Let $\mathcal{L}_{\mathcal{X}}$ be the Dirichlet Laplacian in \mathcal{X} . There holds:*

- i) *The essential spectrum of $\mathcal{L}_{\mathcal{X}}$ coincides with $[\pi^2, +\infty)$;*
- ii) *$\mathcal{L}_{\mathcal{X}}$ has exactly one eigenvalue under its essential spectrum, denoted by $\lambda_1(\mathcal{X})$.*

The analogue of Theorem 1.2 reads as follow.

Theorem 5.5. *Let $\mathcal{L}_{\mathcal{Y}}$ be the Dirichlet Laplacian in \mathcal{Y} . There holds:*

- i) *The essential spectrum of $\mathcal{L}_{\mathcal{Y}}$ coincides with $[\lambda_1(\mathcal{X}), +\infty)$;*
- ii) *$\mathcal{L}_{\mathcal{Y}}$ has at most a finite number of eigenvalues under its essential spectrum.*

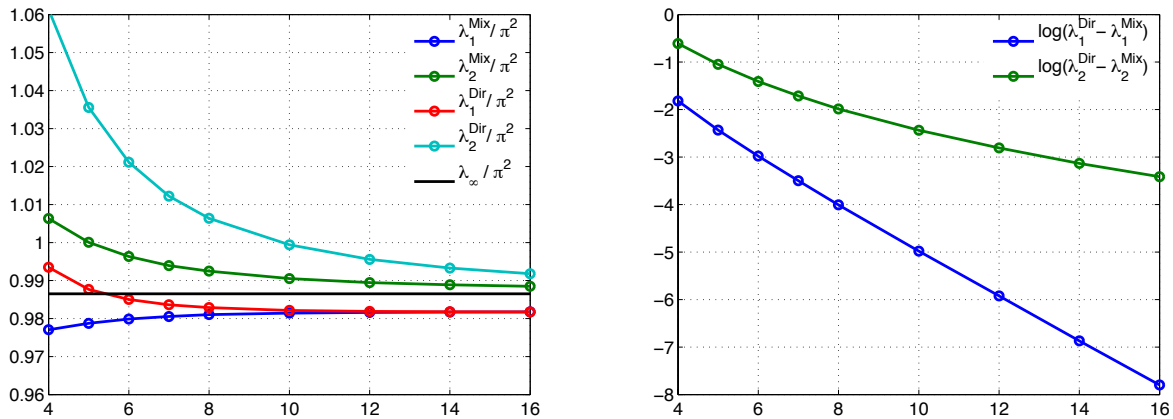


FIGURE 14. Computed eigenvalues $\lambda_\ell^{\text{Dir}}(\Lambda_R^\sharp)$ and $\lambda_\ell^{\text{Mix}}(\Lambda_R^\sharp)$ as functions of R (left), log of difference $\lambda_\ell^{\text{Dir}}(\Lambda_R^\sharp) - \lambda_\ell^{\text{Mix}}(\Lambda_R^\sharp)$ (right), for $\ell = 1, 2$.

The following lemma can be proved adapting Lemma 3.3. It implies that, up to a scaling factor, calculations for \mathcal{X} and \mathcal{Y} reduce to calculations on Γ and Λ , respectively, see Corollary 5.7.

Lemma 5.6. For $d = 2, 3$ and $j \in \{1, \dots, d\}$, we define $\mathcal{P}^j := \{x \in \mathbb{R}^d : x_j = -1/2\}$. Then:

- i) For $d = 2$, an eigenfunction associated with $\lambda_1(\mathcal{X})$ satisfies $\partial_n u = 0$ on \mathcal{P}^j ($j = 1, 2$),
- ii) For $d = 3$, an eigenfunction associated with a bound state of $\mathcal{L}_{\mathcal{Y}}$ satisfies $\partial_n u = 0$ on \mathcal{P}^j ($j = 1, 2, 3$).

Let us introduce the scaled versions of the broken guide Γ and the Fichera layer Λ as

$$\widehat{\Gamma} := \frac{1}{2} \Gamma \quad \text{and} \quad \widehat{\Lambda} := \frac{1}{2} \Lambda.$$

We consider Dirichlet boundary conditions on $\partial\Gamma \cap \partial\widehat{\Gamma}$ and $\partial\Lambda \cap \partial\widehat{\Lambda}$, and Neumann on the remaining part of the boundary. The Rayleigh quotients of the corresponding positive two-dimensional and three-dimensional Laplacians $\mathcal{L}_{\widehat{\Gamma}}$ and $\mathcal{L}_{\widehat{\Lambda}}$ are denoted by $\lambda_\ell(\widehat{\Gamma})$ and $\lambda_\ell(\widehat{\Lambda})$, respectively.

A consequence of Lemma 5.6 is the following corollary, reminiscent of Corollary 3.4, that can be proved using symmetries of the eigenfunctions.

Corollary 5.7. The following holds:

- i) We have $\lambda_1(\mathcal{X}) = \lambda_1(\widehat{\Gamma})$.
- ii) We have $\sigma_{\text{dis}}(\mathcal{L}_{\mathcal{Y}}) = \sigma_{\text{dis}}(\mathcal{L}_{\widehat{\Lambda}})$.

The bounded versions of $\widehat{\Gamma}$ and $\widehat{\Lambda}$ are defined as $\widehat{\Gamma}_R = \widehat{\Gamma} \cap \square_{R+1}$ and $\widehat{\Lambda}_R = \widehat{\Lambda} \cap \square_{R+1}$. Boundary conditions on $\partial\widehat{\Gamma}_R$ and $\partial\widehat{\Lambda}_R$ on the common part with $\widehat{\Gamma}$ and $\widehat{\Lambda}$ are the same as mentioned above, whereas on the remaining part of their boundaries, we take Dirichlet or Neumann, thus defining $\lambda_\ell^{\text{Dir}}(\widehat{\Gamma}_R)$, $\lambda_\ell^{\text{Mix}}(\widehat{\Gamma}_R)$, and $\lambda_\ell^{\text{Dir}}(\widehat{\Lambda}_R)$, $\lambda_\ell^{\text{Mix}}(\widehat{\Lambda}_R)$.

Then an approximation of $\lambda_1(\mathcal{X}) := \lambda_\infty$ is given, for R large enough, by the mean value of $\lambda_\ell^{\text{Dir}}(\widehat{\Gamma}_R)$ and $\lambda_\ell^{\text{Mix}}(\widehat{\Gamma}_R)$. For $R = 12$ we obtain

$$\lambda_1(\mathcal{X}) \simeq 0.6596\pi^2.$$

In the same way as stated in Corollary 2.4 and Corollary 5.3, an exponential convergence of the truncated problems toward $\lambda_1(\mathcal{X})$ can be exhibited.

For the three-dimensional domain, we compute the first two eigenvalues $\lambda_\ell^{\text{Dir}}(\widehat{\Lambda}_R)$, $\lambda_\ell^{\text{Mix}}(\widehat{\Lambda}_R)$, for R ranging from 0.5 to 8 (see Figure 15). Computations have been performed on a rather coarse mesh

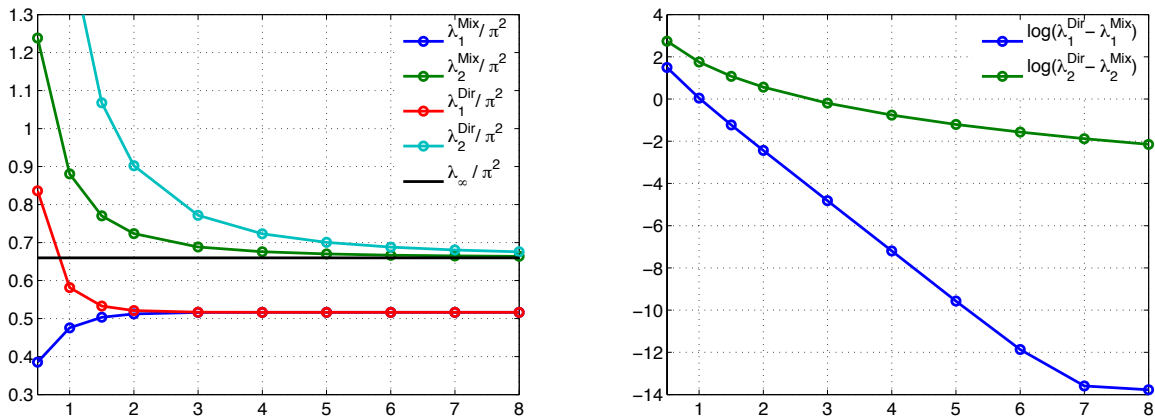


FIGURE 15. Computed eigenvalues $\lambda_\ell^{\text{Dir}}(\widehat{\Lambda}_R)$, $\lambda_\ell^{\text{Mix}}(\widehat{\Lambda}_R)$ as functions of R (left), and log of their difference (right), for $\ell = 1, 2$.

with interpolation degree 4, which is sufficient to exhibit the existence of a unique bound state with approximate value

$$\lambda_1(\mathcal{Y}) \simeq 0.5165\pi^2.$$

The relative gap between the bound state and the bottom of the essential spectrum is

$$g(\mathcal{X}) := \frac{\lambda_1(\mathcal{Y}) - \lambda_1(\mathcal{X})}{\lambda_1(\mathcal{X})} \simeq \frac{0.6596 - 0.5165}{0.5165} \simeq 0.277. \quad (5.4)$$

6. CONCLUSION

We have investigated spectral properties of the Dirichlet Laplacian \mathcal{L}_Λ on the Fichera layer Λ and we have given hints that these properties are shared with three-dimensional layers of a more general structure. This suggests the definition of a family \mathfrak{F} of “generalized Fichera layers” in which the following main spectral features of \mathcal{L}_Λ subsist:

- i) The bottom of the essential spectrum is driven by the first eigenvalue of associated two-dimensional quantum wave guides;
- ii) The number of independent bound states is finite.

This contrasts with the family of smooth conical layers, denoted here as \mathcal{C} , investigated in [29], in which the Dirichlet Laplacian satisfies:

- i) The bottom of the essential spectrum is driven by the first eigenvalue of a one-dimensional problem;
- ii) The number of bound states is infinite, and their counting function satisfy a $\mathcal{O}(|\log E|)$ estimate, with E being the distance to the essential spectrum.

Even though it was our initial motivation, it turns out that it is not particularly the existence of edges that generates these different spectral features between elements of \mathcal{C} and the Fichera layer Λ . Indeed, consider for instance the smooth surface \mathcal{S}^\sharp (a slice of which is drawn in Figure 2) and define $\mathcal{L}[\varepsilon]$ as the set of points at distance $\varepsilon/2$ from \mathcal{S}^\sharp , see Figure 16. Then, for any $\varepsilon \in (0, 1)$, the layer $\mathcal{L}[\varepsilon]$ has a smooth boundary but shares the spectral properties of the Fichera layer Λ . Actually, the discriminating feature between \mathfrak{F} and \mathcal{C} is related to “conical invariance properties”, which characterizes the structure of the layer at infinity. By this, we mean the following:

There exists a partition of \mathbb{R}^3 in a finite number of axisymmetric cones \mathcal{C}_j such that:

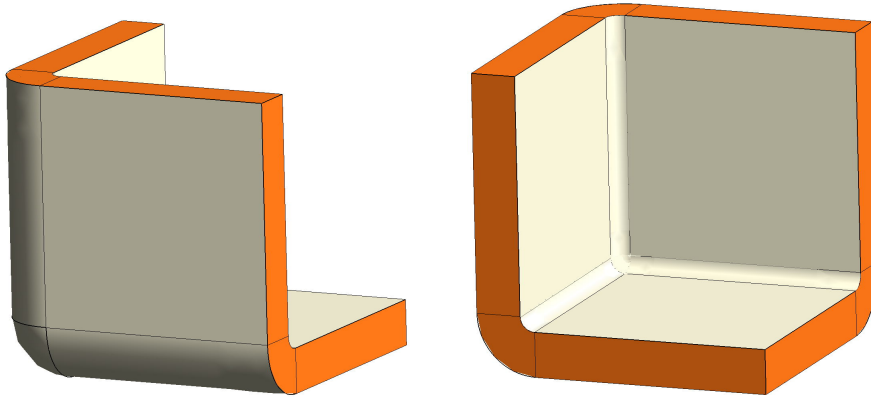


FIGURE 16. Two views of the layer $\mathcal{L}[\varepsilon]$ for $\varepsilon = \frac{3}{5}$ for which the internal and external maximal radii of curvature are $\frac{1}{5}$ and $\frac{4}{5}$.

- (a) If \mathcal{L} belongs to \mathfrak{F} , the sections of $\mathcal{L} \cap \mathcal{C}_j$ across the perpendicular planes $\Pi_j(R)$, $R > 0$, to the axis of \mathcal{C}_j , are translation invariant: This means that there exists a two-dimensional guide \mathcal{G}_j such that $(\mathcal{L} \cap \mathcal{C}_j) \cap \Pi_j(R)$ is isomorphic to a part $\mathcal{G}_j(R)$ of \mathcal{G}_j , and $\mathcal{G}_j(R)$ tends to \mathcal{G}_j as $R \rightarrow \infty$.
- (b) If \mathcal{L} belongs to \mathfrak{C} , the sections of its midsurface $\mathcal{S} \cap \mathcal{C}_j$ across the spheres $R\mathbb{S}_j$, $R > 0$, centered at the tip of \mathcal{C}_j , are homothetic.

ACKNOWLEDGEMENTS

The authors thank Pavel Exner who gave the impulse to write this paper, as well as Konstantin Pankrashkin for fruitful discussions and Adrien Semin for his help in mesh processing with Gmsh.

The first two authors belong to the Centre Henri Lebesgue ANR-11-LABX-0020-01 and the third author is supported by a public grant as part of the ‘‘Investissement d’avenir’’ project, reference ANR-11-LABX-0056-LMH, LabEx LMH.

APPENDIX A. THREE-DIMENSIONAL MESHES

We describe here the 3D meshes used for the computations presented in §4.2 and Section 5.

For the finite Fichera layers (§4.2), the mesh of the domain Λ_R is deduced from a 3D tensor product based on a specific subdivision of the interval $[-1, R]$, leading to a mesh made of hexahedra whose faces are parallel to the Cartesian planes. By a 3D tensor product, we get a mesh in $[-1, R]^3$, from which the cube $[0, R]^3$ is removed. This process allows to build the meshes, called hexahedral grids \mathfrak{G}_1 , \mathfrak{G}_2 , and \mathfrak{G}_3 in §4.2.

The choice of the subdivision allows the refinement of the mesh on some particular parts of the domain, namely the internal corner $(0, 0, 0)$ and the edges starting from this point. The subdivisions S_k corresponding to the grids \mathfrak{G}_k , $k = 1, 2, 3$ are defined as follows. Starting from $S_1 = \{-1, -\frac{1}{2}, -\frac{1}{4}, 0, \frac{1}{4}, \frac{1}{2}, 1, 2, \frac{(R+2)}{2}, R\}$, the subdivision S_{k+1} is deduced from S_k by adding the midpoint of each interval of S_k . As an example, we show on figure 17, left, the grid \mathfrak{G}_1 for $R = 4$.

For the 3D cross (§5.2), the computations have been performed on the same kind of mesh, based on the subdivision $\{-1, -\frac{1}{10}, 0, \frac{1}{10}, 1, a, b\}$ with $a = \min(4, R)$ and $b = \max(a, R)$ (with the convention that a or b should be removed if it is equal to the preceding abscissa in the list).

For the 3D Fichera layer with exterior rounded edges (§5.1.2), the mesh of the domain Λ_R^\sharp has been created with Gmsh [21]. At the corner $(0, 0, 0)$, there is one eighth of sphere, extended across its three plane faces by quarters of cylinder; three parallelepipeds (the walls) complete the domain.

The mesh is made of tetrahedra of order 2; moreover it is non uniform: elements are densified inside the spherical part and along the internal edges. An example is shown for $R = 4$ on figure 17, right.

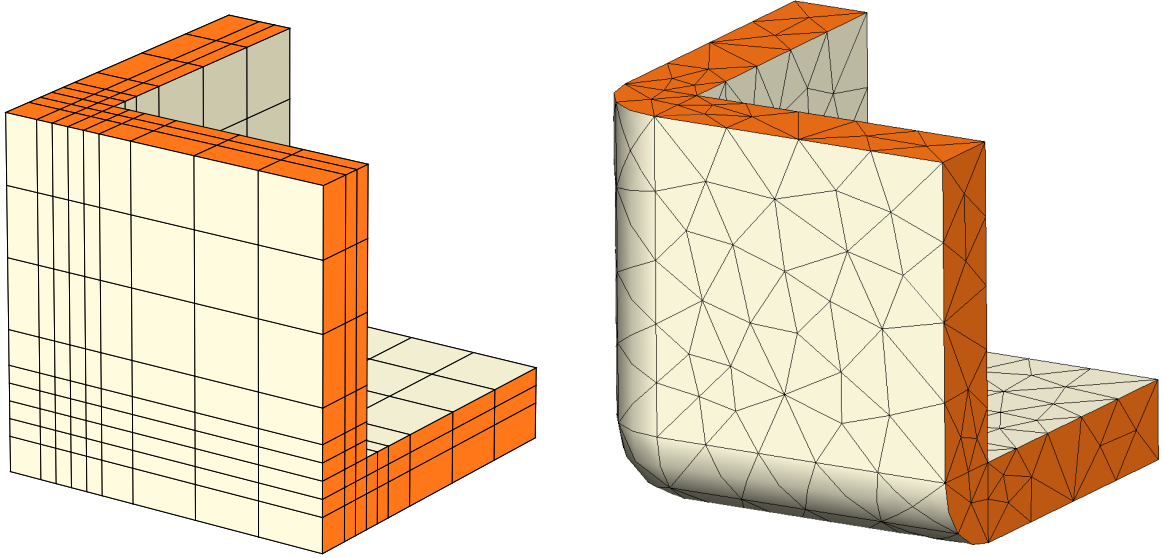


FIGURE 17. Meshes of the 3D Fichera layer (left), with exterior rounded edges (right).

APPENDIX B. EXISTENCE OF A BOUND STATE FOR THE GUIDE Γ^\sharp

The aim of this appendix is to prove Theorem 5.1.

Recall that the guide Γ^\sharp (Figure 2, right) is the union of the quarter disk of radius 1, $\Gamma_0^\sharp = \Gamma^\sharp \cap \square_1$, and of the two infinite strips $[0, \infty) \times \mathcal{I}$ and $\mathcal{I} \times [0, \infty)$, with $\mathcal{I} = (-1, 0)$. The broken guide Γ is the union of the square $\Gamma_0 = \mathcal{I} \times \mathcal{I}$ and of the same strips. So we see that Γ and Γ^\sharp coincide outside \square_1 and that we have the inclusion $\Gamma^\sharp \subset \Gamma$. As a consequence of this and Theorem 1.1, we obtain immediately

- i) The essential spectra of the Dirichlet Laplacian on Γ^\sharp and Γ coincide,
- ii) The number of bound states of the Dirichlet Laplacian in Γ^\sharp is smaller than that of \mathcal{L} in Γ , thus is less than 1.

Hence, to prove Theorem 5.1, it remains to prove that there exists at least one bound state. For this it is enough to construct a function $\psi \in H_0^1(\Gamma^\sharp)$ such that

$$\|\nabla\psi\|_{L^2(\Gamma^\sharp)}^2 < \pi^2\|\psi\|_{L^2(\Gamma^\sharp)}^2. \quad (\text{B.1})$$

Our proof is inspired by [22, §A]. In the following, for the sake of completeness, we check that the arguments *loc. cit.* apply to the guide Γ^\sharp . We start with properties of the Helmholtz problem on Γ_0^\sharp .

Lemma B.1. *Let $g \in H^{1/2}(\partial\Gamma_0^\sharp)$. There exists a unique $\psi_0 \in H^1(\Gamma_0^\sharp)$ such that:*

$$\begin{cases} \Delta\psi_0 + \pi^2\psi_0 = 0 & \text{in } \Gamma_0^\sharp, \\ \psi_0 = g & \text{on } \partial\Gamma_0^\sharp. \end{cases} \quad (\text{B.2})$$

Define, for $\psi \in H^1(\Gamma_0^\sharp)$, the energy functional of the above problem

$$J(\psi) = \|\nabla\psi\|_{L^2(\Gamma_0^\sharp)}^2 - \pi^2\|\psi\|_{L^2(\Gamma_0^\sharp)}^2. \quad (\text{B.3})$$

Then $J(\psi_0)$ is the unique minimizer of J on the space of functions with trace g , namely:

$$J(\psi_0) = \min_{\psi \in H^1(\Gamma_0^\sharp), \psi=g \text{ on } \partial\Gamma_0^\sharp} J(\psi). \quad (\text{B.4})$$

Proof. Consider a half-disk \mathcal{H} of radius 1 containing Γ_0^\sharp . By monotonicity of Dirichlet eigenvalues

$$\lambda_1^{\text{Dir}}(\mathcal{H}) \leq \lambda_1^{\text{Dir}}(\Gamma_0^\sharp).$$

But it is known that $\lambda_1^{\text{Dir}}(\mathcal{H}) = j_{1,1}^2$, where $j_{1,1}$ is the first zero of the first Bessel function of first kind J_1 . Remark that $j_{1,1} \simeq 3.8$ and in particular $j_{1,1} > \pi$, thus

$$\pi^2 < \lambda_1^{\text{Dir}}(\Gamma_0^\sharp). \quad (\text{B.5})$$

Therefore, the operator $\Delta + \pi^2$ is an isomorphism from $H_0^1(\Gamma_0^\sharp)$ onto its dual space. This, combined with the fact that $H^{1/2}(\partial\Gamma_0^\sharp)$ is the trace space of $H^1(\Gamma_0^\sharp)$, provides existence and uniqueness for the solution of problem (B.2).

The functional J is the energy related with the bilinear form $a : (\psi, \widehat{\psi}) \mapsto \int_{\Gamma_0^\sharp} (\nabla\psi \cdot \nabla\widehat{\psi} - \pi^2\psi\widehat{\psi})$ associated with problem (B.2). The variational formulation of this problem is

$$\text{Find } \psi_0 \in H^1(\Gamma_0^\sharp) \text{ with } \psi_0|_{\partial\Gamma_0^\sharp} = g \quad \text{s.t.} \quad \forall \widehat{\psi} \in H_0^1(\Gamma_0^\sharp), \quad a(\psi_0, \widehat{\psi}) = 0.$$

Let $\psi_1 \in H^1(\Gamma_0^\sharp)$ such that $\psi_1 = g$ on $\partial\Gamma_0^\sharp$. Since $\psi_0 - \psi_1$ has zero trace on $\partial\Gamma_0^\sharp$, there holds $a(\psi_0, \psi_1 - \psi_0) = 0$. Hence

$$J(\psi_1) = J(\psi_0) + J(\psi_1 - \psi_0).$$

But, as a consequence of (B.5), $J(\psi_1 - \psi_0)$ is bounded from below by $\gamma\|\psi_1 - \psi_0\|_{L^2(\Gamma_0^\sharp)}^2$ for a positive constant γ . This ends the proof of (B.4). \square

We are ready to end the proof of Theorem 5.1. To prove the existence of bound states, by the min-max principle, it is enough to construct a function $\psi \in H_0^1(\Gamma^\sharp)$ such that

$$\|\nabla\psi\|_{L^2(\Gamma^\sharp)}^2 < \pi^2\|\psi\|_{L^2(\Gamma^\sharp)}^2.$$

Let $\mu > 0$ be a parameter that will be chosen thereafter. We set $\varphi(t) := \sqrt{2}\sin(\pi t)$ and define the following function

$$\psi(\mathbf{x}) = \begin{cases} e^{-\mu x_1} \varphi(x_2) & \text{if } \mathbf{x} \in \mathbb{R}_+ \times \mathcal{I}, \\ e^{-\mu x_2} \varphi(x_1) & \text{if } \mathbf{x} \in \mathcal{I} \times \mathbb{R}_+, \\ \psi_0 & \text{if } \mathbf{x} \in \Gamma_0^\sharp, \end{cases}$$

where ψ_0 is the solution of problem (B.2) with g defined on $\partial\Gamma_0^\sharp$ as

$$g(\mathbf{x}) = 0 \text{ if } |\mathbf{x}| = 1, \quad g(0, x_2) = \varphi(x_2), \forall x_2 \in \mathcal{I} \quad \text{and} \quad g(x_1, 0) = \varphi(x_1), \forall x_1 \in \mathcal{I}.$$

Note that g is continuous on $\partial\Gamma_0^\sharp$, thus belongs to $H^{1/2}(\partial\Gamma_0^\sharp)$, and that ψ belongs to $H_0^1(\Gamma^\sharp)$.

A simple computation yields

$$\frac{\|\nabla\psi\|_{L^2(\Gamma^\sharp)}^2}{\|\psi\|_{L^2(\Gamma^\sharp)}^2} = \pi^2 + \frac{\mu}{1 + \mu\|\psi_0\|_{L^2(\Gamma_0^\sharp)}^2} (\mu + J(\psi_0)). \quad (\text{B.6})$$

We claim that $J(\psi_0) < 0$ and to prove this, we rely on the characterization (B.4) of $J(\psi_0)$. So, it suffices to exhibit a specific function $\widehat{\psi} \neq \psi_0$, $\widehat{\psi} \in H^1(\Gamma_0^\sharp)$ such that $\widehat{\psi} = g$ on $\partial\Gamma_0^\sharp$, satisfying

$$J(\widehat{\psi}) = 0. \quad (\text{B.7})$$

Consider the function $\widehat{\psi}(\mathbf{x}) = -\sqrt{2} \sin(\pi\sqrt{x_1^2 + x_2^2})$. By definition $\widehat{\psi} \in H^1(\Gamma_0^\sharp)$ and coincide with g on $\partial\Gamma_0^\sharp$. Using polar coordinates we get

$$\begin{aligned} J(\widehat{\psi}) &= \pi \int_0^1 |\partial_r(\sin(\pi r))|^2 r dr - \pi^3 \int_0^1 |\sin(\pi r)|^2 r dr \\ &= \pi^3 \int_0^1 (\cos^2(\pi r) - \sin^2(\pi r)) r dr \\ &= \pi^3 \int_0^1 \cos(2\pi r) r dr = 0. \end{aligned}$$

However, remark that

$$(\Delta + \pi^2)\widehat{\psi}(\mathbf{x}) = \frac{\pi}{|\mathbf{x}|} \cos(\pi|\mathbf{x}|) \neq 0.$$

It proves (B.7) because necessarily $\widehat{\psi} \neq \psi_0$ and consequently we get

$$J(\psi_0) < J(\widehat{\psi}) = 0.$$

Set $\mu = \frac{1}{2}|J(\psi_0)|$, (B.6) becomes

$$\frac{\|\nabla\psi\|_{L^2(\Gamma^\sharp)}^2}{\|\psi\|_{L^2(\Gamma^\sharp)}^2} = \pi^2 - \frac{1}{2 + |J(\psi_0)|\|\psi_0\|_{L^2(\Gamma_0^\sharp)}^2} |J(\psi_0)| < \pi^2.$$

In particular, by the min-max principle, we obtain

$$\lambda_1(\Gamma^\sharp) < \pi^2,$$

which yields the existence of at least one bound state.

REFERENCES

- [1] T. APEL, V. MEHRMANN, AND D. WATKINS, *Structured eigenvalue methods for the computation of corner singularities in 3D anisotropic elastic structures*, Comput. Methods Appl. Mech. Engrg., 191 (2002), pp. 4459–4473.
- [2] T. APEL, A.-M. SÄNDIG, AND J. R. WHITEMAN, *Graded mesh refinement and error estimates for finite element solutions of elliptic boundary value problems in non-smooth domains*, Math. Methods Appl. Sci., 19 (1996), pp. 63–85.
- [3] V. BARGMANN, *On the number of bound states in a central field of force*, Proc. Nat. Acad. Sci. U. S. A., 38 (1952), pp. 961–966.
- [4] J. BEHRNDT, P. EXNER, AND V. LOTOREICHIK, *Schrödinger operators with δ -interactions supported on conical surfaces*, J. Phys. A, 47 (2014), pp. 355202, 16.
- [5] G. BESSON, *Comportement asymptotique des valeurs propres du laplacien dans un domaine avec un trou*, Bull. Soc. Math. France, 113 (1985), pp. 211–230.
- [6] M. S. BIRMAN AND M. Z. SOLOMJAK, *Spectral theory of selfadjoint operators in Hilbert space*, Mathematics and its Applications (Soviet Series), D. Reidel Publishing Co., Dordrecht, 1987. Translated from the 1980 Russian original by S. Khrushchëv and V. Peller.
- [7] V. BONNAILLIE-NOËL, M. DAUGE, AND N. POPOFF, *Ground state energy of the magnetic Laplacian on general three-dimensional corner domains*, Mémoires de la SMF, 145 (2016), pp. viii + 138.
- [8] V. BRUNEAU, K. PANKRASHKIN, AND N. POPOFF, *Eigenvalue counting function for robin laplacians on conical domains*, The Journal of Geometric Analysis, (2017), pp. 1–29.
- [9] V. BRUNEAU AND N. POPOFF, *On the negative spectrum of the Robin Laplacian in corner domains*, Anal. PDE, 9 (2016), pp. 1259–1283.
- [10] G. CARRON, P. EXNER, AND D. KREJČIŘÍK, *Topologically nontrivial quantum layers*, J. Math. Phys., 45 (2004), pp. 774–784.
- [11] J. M. COMBES, P. DUCLOS, AND R. SEILER, *The Born-Oppenheimer Approximation*, Springer US, Boston, MA, 1981, pp. 185–213.

- [12] M. COSTABEL AND M. DAUGE, *Computation of resonance frequencies for Maxwell equations in non-smooth domains*, in Topics in computational wave propagation, vol. 31 of Lect. Notes Comput. Sci. Eng., Springer, Berlin, 2003, pp. 125–161.
- [13] M. DAUGE, *Elliptic boundary value problems on corner domains*, vol. 1341 of Lecture Notes in Mathematics, Springer-Verlag, Berlin, 1988. Smoothness and asymptotics of solutions.
- [14] M. DAUGE AND B. HELFFER, *Eigenvalues variation. I. Neumann problem for Sturm-Liouville operators*, J. Differential Equations, 104 (1993), pp. 243–262.
- [15] M. DAUGE, Y. LAFRANCHE, AND N. RAYMOND, *Quantum waveguides with corners*, in Congrès National de Mathématiques Appliquées et Industrielles, vol. 35 of ESAIM Proc., EDP Sci., Les Ulis, 2011, pp. 14–45.
- [16] M. DAUGE, T. OURMIÈRES-BONAFOS, AND N. RAYMOND, *Spectral asymptotics of the Dirichlet Laplacian in a conical layer*, Commun. Pure Appl. Anal., 14 (2015), pp. 1239–1258.
- [17] P. DUCLOS AND P. EXNER, *Curvature-induced bound states in quantum waveguides in two and three dimensions*, Rev. Math. Phys., 7 (1995), pp. 73–102.
- [18] P. DUCLOS, P. EXNER, AND D. KREJČIŘÍK, *Bound states in curved quantum layers*, Comm. Math. Phys., 223 (2001), pp. 13–28.
- [19] P. EXNER, P. ŠEBA, AND P. ŠT’OVIČEK, *On existence of a bound state in an l-shaped waveguide*, Czechoslovak Journal of Physics B, 39 (1989), pp. 1181–1191.
- [20] P. EXNER AND M. S. TATER, *Spectrum of Dirichlet Laplacian in a conical layer*, J. Phys. A, 43 (2010), pp. 474023, 11.
- [21] C. GEUZAIN AND J.-F. REMACLE, *Gmsh: a three-dimensional finite element mesh generator with built-in pre- and post-processing facilities*, International Journal for Numerical Methods in Engineering, 79(11) (2009), pp. 1309–1331.
- [22] J. GOLDSTONE AND R. L. JAFFE, *Bound states in twisting tubes*, Phys. Rev. B, 45 (1992), pp. 14100–14107.
- [23] T. KATO, *Perturbation theory for linear operators*, Classics in Mathematics, Springer-Verlag, Berlin, 1995. Reprint of the 1980 edition.
- [24] M. KLEIN, A. MARTINEZ, R. SEILER, AND X. P. WANG, *On the Born-Oppenheimer expansion for polyatomic molecules*, Comm. Math. Phys., 143 (1992), pp. 607–639.
- [25] V. LOTOREICHIK AND T. OURMIÈRES-BONAFOS, *On the bound states of Schrödinger operators with δ -interactions on conical surfaces*, Comm. Partial Differential Equations, 41 (2016), pp. 999–1028.
- [26] A. MARTINEZ, *Développements asymptotiques et effet tunnel dans l’approximation de Born-Oppenheimer*, Ann. Inst. H. Poincaré Phys. Théor., 50 (1989), pp. 239–257.
- [27] V. MAZ’YA, S. NAZAROV, AND B. PLAMENEVSKIJ, *Asymptotic theory of elliptic boundary value problems in singularly perturbed domains. Vol. 1*, vol. 111 of Operator Theory: Advances and Applications, Birkhäuser Verlag, Basel, 2000. Translated from the German by Georg Heinig and Christian Posthoff.
- [28] S. A. NAZAROV AND A. V. SHANIN, *Trapped modes in angular joints of 2D waveguides*, Appl. Anal., 93 (2014), pp. 572–582.
- [29] T. OURMIÈRES-BONAFOS AND K. PANKRASHKIN, *Discrete spectrum of interactions concentrated near conical surfaces*, Applicable Analysis, doi [10.1080/00036811.2017.1325472](https://doi.org/10.1080/00036811.2017.1325472) (2017), pp. 1–22.
- [30] K. PANKRASHKIN, *On the discrete spectrum of Robin Laplacians in conical domains*, Math. Model. Nat. Phenom., 11 (2016), pp. 100–110.
- [31] K. PANKRASHKIN, *Eigenvalue inequalities and absence of threshold resonances for waveguide junctions*, J. Math. Anal. Appl., 449 (2017), pp. 907–925.
- [32] M. REED AND B. SIMON, *Methods of modern mathematical physics. IV. Analysis of operators*, Academic Press, New York, 1978.
- [33] XLIFE++, *eXtended Library of Finite Elements in C++*, available at <http://uma.ensta-paristech.fr/soft/XLiFE++/>.

UNIV. RENNES, CNRS, IRMAR - UMR 6625, F-35000 RENNES, FRANCE

E-mail address: monique.dauge@univ-rennes1.fr

URL: <https://perso.univ-rennes1.fr/monique.dauge/>

UNIV. RENNES, CNRS, IRMAR - UMR 6625, F-35000 RENNES, FRANCE

E-mail address: yvon.lafranche@univ-rennes1.fr

URL: <https://perso.univ-rennes1.fr/yvon.lafranche/>

Laboratoire de Mathématiques d’Orsay, Univ. Paris-Sud, CNRS, Université Paris-Saclay, 91405 Orsay, France

E-mail address: thomas.ourmieres-bonafos@math.u-psud.fr

URL: <http://www.math.u-psud.fr/~ourmieres-bonafos/>