



HAL
open science

A spinner magnetometer for large Apollo lunar samples

Minoru Uehara, J. Gattacceca, Y. Quesnel, C. Lepaulard, E. A. Lima, M. Manfredi, P. Rochette

► To cite this version:

Minoru Uehara, J. Gattacceca, Y. Quesnel, C. Lepaulard, E. A. Lima, et al.. A spinner magnetometer for large Apollo lunar samples. *Review of Scientific Instruments*, 2017, 88 (10), pp.104502. 10.1063/1.5008905 . hal-01625779

HAL Id: hal-01625779

<https://hal.science/hal-01625779v1>

Submitted on 1 Feb 2019

HAL is a multi-disciplinary open access archive for the deposit and dissemination of scientific research documents, whether they are published or not. The documents may come from teaching and research institutions in France or abroad, or from public or private research centers.

L'archive ouverte pluridisciplinaire **HAL**, est destinée au dépôt et à la diffusion de documents scientifiques de niveau recherche, publiés ou non, émanant des établissements d'enseignement et de recherche français ou étrangers, des laboratoires publics ou privés.

A spinner magnetometer for large Apollo lunar samples

M. Uehara^{1, a)}, J. Gattacceca¹, Y. Quesnel¹, C. Lepaulard¹, E. A. Lima², M. Manfredi³, and P. Rochette¹

¹*CEREGE, CNRS, Aix Marseille Univ, IRD, Coll France, CEREGE, 13545 Aix-en-Provence, France*

²*Department of Earth, Atmospheric and Planetary Sciences, Massachusetts Institute of Technology, Cambridge, MA 02139, USA*

³*CGI, 92097 La Défense, France.*

^a*uehara@cerege.fr*

Abstract

We developed a spinner magnetometer to measure the natural remanent magnetization of large Apollo lunar rocks in the storage vault of the Lunar Sample Laboratory Facility (LSLF) of NASA. The magnetometer mainly consists of a commercially available three axial fluxgate sensor and a hand-rotating sample table with an optical encoder recording the rotation angles. The distance between the sample and the sensor is adjustable according to the sample size and magnetization intensity. The sensor and the sample are placed in a two-layer mu-metal shield to measure the sample natural remanent magnetization. The magnetic signals are acquired together with the rotation angle to obtain stacking of the measured signals over multiple revolutions. The developed magnetometer has a sensitivity of $5 \times 10^{-7} \text{ Am}^2$ at the standard sensor-to-sample distance of 15 cm. This sensitivity is sufficient to measure the natural remanent magnetization of almost all the lunar basalt and breccia samples with mass above 10 g in the LSLF vault.

Key words: magnetometer, remanent magnetization, Apollo samples, geophysics

I. RATIONALE

The Moon has no global magnetic field today. However spacecraft observations have shown that large portions of the crust are magnetized (e.g., Purucker and Nicholas ¹ and Tsunakawa et al. ²). Paleomagnetic studies of samples returned by the Apollo program have also shown that some of these rocks carry a significant remanent magnetization that was acquired on the Moon ³. It is now rather firmly established that the Moon once had a global magnetic field generated by a dynamo mechanism in a molten metallic core ⁴. However, crucial questions remain to be answered such as the intensity of the lunar paleofield, its geometry, and the exact timing of the dynamo onset and turn-off. Answering these questions would ultimately shed light on the interior structure of the Moon, on the processes that allowed dynamo generation, and would provide the dynamo theory with a robust test case.

33 A fairly large number of samples (74) were studied in the 1970's, soon after their return from the Moon (Fuller and
34 Cisowski ³ for a review). A new series of more refined paleomagnetic and thermochronology studies have been
35 performed in the 2010's ⁵⁻⁹. All together, about 71 different Apollo rocks (for a total of 90 samples) have been studied for
36 paleomagnetism. This represents only 5% of the 1402 individual returned during the Apollo program. All these studies
37 (with the exception of Cournède et al. ⁶) were performed on small chips (usually < 1 g) allocated for detailed laboratory
38 work that generally include sub-sampling and study of even smaller fragments using high-sensitivity Superconducting
39 Quantum Interference Device (SQUID) magnetometers ¹⁰⁻¹². Therefore, these paleomagnetic studies imply destructive
40 and time-consuming sub-sampling of the original Apollo rocks by curators and processors at NASA. Consequently, an
41 exhaustive paleomagnetic study of the Apollo collection appears out of reach using standard procedure.

42

43 **II. Specificities and interest of the proposed measurements**

44 With the aim of making an exhaustive magnetic survey of the Apollo rocks, we adopted the following strategy:
45 perform simple magnetic measurements (Natural Remanent Magnetization, NRM) of the whole, unprocessed sample
46 directly in the Lunar Sample Laboratory Facility (LSLF) storage facility, without any subsampling or demagnetization,
47 thus reducing sample preparation and handling to a minimum that is acceptable for curators. Measuring large whole
48 samples has other advantages in addition to its non-destructive quality. First, lunar rocks can be heterogeneously
49 magnetized, especially the breccias that make up a large fraction of the Apollo collection. Indeed, different parts of a
50 lunar breccia (matrix, clasts of various lithologies, melt) can have strongly contrasted magnetic properties, and also
51 different paleomagnetic direction if the magnetization of the clasts has survived the assembly of the breccia. Second, the
52 study of small sub-samples increases the apparent effect of possible remagnetization during sample return or processing.
53 Some samples have been shown to have been partially and locally remagnetized by exposure to fields up to several mT
54 during the return flight from the Moon (e.g., Pearce et al.¹³). Others have been locally heated during cutting with band
55 saw ¹⁴. Studying whole large samples will minimize the bulk effect of these magnetic contaminations, given that they can
56 dominate the signal when studying small samples that may come from the area that has been heated or exposed to a
57 strong field. The aim of our study is chiefly to perform an exhaustive survey of the NRM of Apollo rocks to identify the
58 key samples that can then be studied in details in the laboratory using standard paleomagnetic techniques. Therefore, we
59 needed to develop a magnetometer that could measure the magnetic moment of whole unprocessed Apollo samples
60 directly in their storage facility, while complying with NASA curatorial constraints.

61 The main mass of Apollo samples is kept in a storage vault at the LSLF at Johnson Space Center (NASA) in
62 Houston, USA. Samples are stored in the vault as whole rocks packed in multilayered Teflon bags (about 5 to 30 cm in

63 size) filled with pure nitrogen gas to avoid oxidation and contamination. Sample mass ranges from < 1 g to about 5 kg. In
64 this study, we focused on samples above 50 g, corresponding to about 15 cm³. The Apollo collection contains about 200
65 of such samples. Among them, only about 40 have been studied for paleomagnetism so far, indicating that an exhaustive
66 survey will likely bring new valuable information.

67

68 **III. Instrumental constraints**

69 Although modern commercial SQUID magnetometers are perfectly adapted for detailed paleomagnetic studies of
70 lunar rocks, they can typically only accommodate samples up to about 10 cm³ (about 30 g) and are not portable, making
71 them unsuitable for the proposed measurements. We need a magnetometer optimized for fast and efficient measurements
72 of whole lunar rocks in the vault. The instrumental precision and accuracy are not the main constraints, since this
73 instrument is mostly designed for the purpose of triage of samples for further more refined analyses in the laboratory.

74 There are five technical challenges for the development of a magnetometer able to measure the NRM of unprocessed
75 Apollo rocks in situ in their storage vault. The first is the limitations imposed by the curatorial constraints. As mentioned,
76 samples must remain in their original packaging to avoid any chemical contaminations and time-consuming repackaging
77 by NASA processors. Moreover, many mechanical components and chemical compounds (gear, cam, slider, electric
78 motor, metal ball bearings, oils, etc.) cannot be used in the vault to avoid chemical contamination. This limitation
79 requires that the magnetometer must use very simple mechanisms. The second constraint is the wide range of the
80 expected magnetic moments to be measured due to the variety of sample size and nature. Depending on the lithology, the
81 NRM is expected to vary from weak (norite, anorthosite, $\sim 10^{-7}$ Am²/kg) to relatively strong (basalt, $\sim 10^{-5}$ Am²/kg;
82 impact melt breccias, $\sim 10^{-4}$ Am²/kg) ⁶. Because we focus mostly on samples that range from 40 g to 4 kg in mass, the
83 variation between the weakest and the strongest samples can be in the order of 10⁴, requiring a wide dynamic range. The
84 third constraint is sensitivity, which must be good enough to allow measurement of the NRM of most Apollo rocks with
85 mass above 50 g. The fourth constraint is portability. To be allowed access to the lunar vault, the magnetometer should
86 be dismountable, compact, and easy to reassemble in the vault. The fifth constraint is processing speed because hundreds
87 of samples must be measured. Working in the vault requires the continuous presence of a NASA lunar curator and/or
88 processor, and represents a heavy load in terms of personnel use. Measuring 100 samples in a week, including initial
89 setup and final disassembly of the magnetometer, implies that the measurement time (including sample handling) has to
90 be 10 minutes per sample at most.

91 A spinner magnetometer can satisfy all these requirements. They have been already used for the study of large
92 samples such as a whole meteorite stones ¹⁵ and archeologic artifacts ¹⁶. This type of magnetometer consists of a fixed

93 magnetic field sensor, a sample on a rotating stage, magnetic shields enclosing the sensor and the sample, and an encoder
94 detecting the rotation angle. The sample, ideally carrying a magnetization equivalent to a single dipole, generates
95 sinusoidal signals for the radial and the tangential components of the field at the sensor position as the rock is rotated
96 about the vertical axis. By changing the sample's orientation at least two times, we can estimate the three components of
97 magnetic moment. We can adjust the sensor-to-sample distance to measure samples of various sizes and achieve large
98 dynamic range. Moreover, we can improve its signal-to-noise ratio (S/N) by stacking the data during multiple revolutions
99 ^{17, 18}. In this paper, we describe a portable spinner magnetometer developed specifically to measure the magnetic
100 moments of large unprocessed Apollo samples in the LSLF vault. Furthermore, we present pilot data processing using
101 the result of the actual measurement of 133 Apollo samples during a first round of measurements in the LSLF, in
102 addition to performance tests in our laboratory.

103

104 **IV. DESCRIPTION OF THE MAGNETOMETER**

105 Figure 1 shows schematic illustrations of the spinner magnetometer for the large Apollo samples. A commercial
106 three-axis fluxgate magnetic field sensor (Mag-03MS100, Bartington Instruments Ltd.) and a rotating sample stage are
107 enclosed in a two-layer mu-metal magnetic shield (550 mm in diameter and 500 mm in height). The interior of the
108 magnetometer can be accessed by opening the top lids of the mu-metal shields. To minimize stray fields, all of the holes
109 penetrating the both inner and outer shield are arranged not to be co-axially positioned, except for the 11 mm bore for the
110 spindle and the 4 mm hole for the feedthroughs. The residual magnetic field, which is mainly the stray field resulting
111 from small gaps between the outer and the main cylinder of the shield, is lower than 20 nT for all three components of
112 the magnetic field, as evaluated during 10 successive opening and closing operations of the mu-metal shield. The
113 samples are enclosed in a cube made of transparent acrylic resin (PMMA) plates welded by solvents. Cubes with
114 different dimensions (5, 7, 10, 12, 15, 17, and 20 cm sides) were used to best fit various sample sizes and shapes.
115 Samples are kept tight in the cubes using Teflon films and/or PMMA rings. The cubes have center marks on the surfaces
116 that help locating the sample at the center. For samples with anisometric shapes, we recorded the shape and position in
117 the cube for the later more refined analyses. As shown in Fig. 1b, the center of the cube is at the intersection of the
118 spindle of the stage and the horizontal centerline of the fluxgate sensor (hereafter call "stage center"). When using the
119 smaller cubes, acrylic resin spacers are used to keep the cube center at the stage center. The distance between the stage
120 center and the sensor (d) is adjustable according to the magnetic moment intensity and the size of the sample. The sensor
121 holder can be fixed by an aluminum pin on the guide rail that has bores at $d = 15, 16, 17.5, 20, 22.5, 25, 27.5,$ and 30 cm.
122 The sensor can be moved as close as $d = 5$ cm from the sample center by using a PMMA extension plate. The sample

123 stage is revolved manually using an aluminum handle directly connected to the spindle via an aluminum coupling
124 mechanism. The target turning speed is about 1 revolution per 10 seconds (0.1 Hz), which is slower than other magnetic-
125 sensor-equipped spinner magnetometers (5 to 7 Hz)^{19, 20}. To avoid chemical contamination, lubricant-free Teflon
126 bearings were used. All the other metallic parts are made of aluminum, except for the mu-metal shield, which is never in
127 contact with the PMMA cubes containing the samples.

128 Figure 2 shows the schematic operation diagram of the magnetometer. The fluxgate sensor has output noise spectral
129 densities of about $9 \text{ pT}_{\text{rms}} \cdot \text{Hz}^{-0.5}$ at 1 Hz for three components and the orthogonality errors are $< 0.1^\circ$, according to the
130 manufacturer specifications. The rotation angle of the spindle is measured by an optical encoder connected to a digital
131 input/output interface (NI 9403, National Instruments Corp.). The resolution of the encoder is 512 pulses-per-revolution
132 and the maximum position error is 0.167° . The digital back-end of the encoder can handle rotation speed up to several
133 thousand rotations per minutes. Moreover, the index signal force to reset the decoder's counter, preventing propagation
134 of counting error. A four-channel 24-bit A/D converter unit with $\pm 10 \text{ V}$ measurement range (ADC; NI 9239, National
135 Instruments Corp.) samples all three channels (X-, Y-, and Z-axis) simultaneously after amplified (Gain = 1000) and
136 conditioned by a signal conditioning unit (SCU; SCU-3, Bartington Instruments Ltd.). The analog and digital front end
137 units are mounted on the USB chassis (NI cDAQ-9174, National Instruments Corp.) that can realize a synchronous
138 operation of the mounted units.

139 Figure 2 also shows a block diagram of the data acquisition software. The entire acquisition process is controlled by
140 a 64-bit LabVIEW (National Instruments Corp.) program running on a laptop PC. Since the revolution speed of the
141 sample is variable, the synchronization between the encoder position and the sensor signals is important to measure the
142 magnetic field distribution around the sample accurately. The program has two parallel threads working as a real-time
143 routine. The first thread controls the sampling and simple low-pass filtering. To avoid the problem of aliasing, the ADC
144 oversamples the signals at 50k samples per second (sps) that is 500 times faster than the cut-off frequency of the SCU's
145 second ordered low-pass filter ($f_c = 100 \text{ Hz}$). The digitized data stream is stored in a buffer and re-sampled at 50 sps by
146 averaging of the buffered 1000 samples, which plays as a digital low pass filter that removes signals above 50 Hz. This
147 data stream is double buffered not to drop any data during unexpected heavy forward processes. The second thread
148 records the position of the optical encoder through communications with the decoder that returns the position of the
149 optical encoder's index mark with a 512 pulse-per-revolution resolution. The standard direction of rotation is defined as
150 clockwise (CW). The gating of the sampling and the acquisition of the encoder position is triggered by the shared 50 Hz
151 software trigger, realizing a synchronous measurement of the magnetic field and the sample position. The resolution of
152 the optical encoder (512 positions/revolution) and the data acquisition frequency (50 Hz) is optimized for the target

153 rotation speed (0.1 Hz) as it gives about 500 samples during 1 revolution in 10 seconds. The maximum instantaneous
 154 rotation speed that will not be affected by the SCU's low-pass filter is 1000 °/s, which is five times faster than the
 155 instantaneous rotation speed in the actual measurements (see Appendix A). The data are recorded along with timestamps
 156 of 1 ms precision for the purpose of the post-acquisition filtering processes. Finally, the dataset is saved on the hard disk.

157

158 V. THEORY OF OPERATION

159 This magnetometer measures the magnetic fields around the rotating sample. For simplicity, we consider a dipole
 160 moment vector $\mathbf{m} = (m_x, m_y, m_z)$ at the center of the sample cube. We define the sample coordinates as following. We
 161 defined the north, east, and down surface of the sample cube that respectively correspond to x-, y-, and z-axis directions
 162 (Fig.2). Using declination D and inclination I , this vector can be written as $\mathbf{m} = (m \cos D \cos I, m \sin D \cos I, m \sin I)$, where
 163 $m = |\mathbf{m}|$. We can observe sinusoids that are functions of the rotation angle θ due to the rotation of \mathbf{m} . The Y-, X-, and Z-
 164 axis of the fluxgate sensor measure the radial, tangential, and vertically downward components of the field, respectively
 165 (Fig. 2). The observed magnetic field vector $\mathbf{B}(\theta)$ is given by

$$166 \quad \begin{cases} B_x(\theta) = \frac{m \cos I}{4\pi} \times \frac{-\sin(D + \theta)}{d^3} \\ B_y(\theta) = \frac{2m \cos I}{4\pi} \times \frac{\cos(D + \theta)}{d^3} \\ B_z(\theta) = \frac{m \sin I}{4\pi} \times \frac{1}{d^3} \end{cases} \quad (1)$$

167 Note that the CW rotation of the stage makes the scanning direction of the sample counter clockwise (CCW), resulting in
 168 a negative sign of the term $\sin(D + \theta)$. We defined the origin of the rotation θ when the sample north points toward the
 169 sensor. We can calibrate the stage north by measuring a point source placed on the north notch of the stage (Fig. 2); the
 170 position where $|B_x + B_y|$ becomes maximum corresponds to the north ($\theta = 0$). It is important to note that the waveform of
 171 the B_z component is constant and B_x and B_y components are sinusoidal. Unfortunately, our magnetometer cannot
 172 measure B_z directly due to the DC offsets. Thus, we change the sample position in three different rotation axis; around z-
 173 axis (position 1), y-axis (position 2), and x-axis (position 3). The acrylic cubic sample holders have been checked for
 174 precise orthogonality to ensure the accuracy of these orthogonal rotations. This operation enables to measure all three
 175 components of the moment \mathbf{m} as sinusoidal signals and solves the problem of the DC offsets. For this reason, the DC
 176 component is not considered in the post-processing, and the chart always starts from 0 nT at the beginning of the
 177 measurement.

178 The encoder angle is sampled at a fixed frequency (50 Hz) that is asynchronous to the optical encoder's movement
 179 (Fig. 2). This asynchronous sampling makes a quantization error between the actual direction θ and the apparent encoder

180 angle $\theta_{enc}(n) = n \times 2\pi/N$, where n is the encoder count ($n = 0, 1, \dots, N-1$) and N is the number of the pulses per revolution,
 181 yielding the resolution of the encoder $\Delta\theta = 2\pi/N$ (rad). This quantization error $\theta_{err} = \theta - \theta_{enc}(n)$ is randomly distributed in
 182 the range $0 \leq \theta_{err} < \Delta\theta$, which makes a signal error given by $err(\theta, \theta_{err}) = \mathbf{B}(\theta + \theta_{err}) - \mathbf{B}(\theta)$. This is akin to quantization
 183 noise. The worst-case signal error is approximately given by substituting $\Delta\theta$ for θ_{err} . For an encoder with a good
 184 resolution (e.g. $N > 50$), this worst-case signal error is

$$185 \quad err(\theta, \Delta\theta) = \Delta\theta \times a(\theta_{enc}(n)) \quad (2),$$

186 where $a(\theta_{enc}(n))$ is the slope of the signal at the n -th encoder position. This worst-case error can reach $2\pi A/N$ at the
 187 maximum when we measure a dipole magnetic field with an amplitude A , given by $B(\theta) = A \sin(\theta)$ (see Appendix A).
 188 The first remedy to reduce this error is simply increasing the encoder's resolution N . The second is simultaneous
 189 acquisition of the optical encoder and the ADC to keep the same $\Delta\theta$ value during the measurement, because this error is a
 190 sort of a phase error. The third is calculating an average during the passage between two positions, improving the worst-
 191 case error in half ($\pi A/N$, see APPENDIX A); this technique is eventually realized by the oversampling method (Fig. 2).
 192 To conclude, the current system with $N = 512$ has a worst-case error of $\pi/512 = 0.61\%$ of the amplitude, which is 6 pT
 193 for a typical $A = 1$ nT signal. This is below the output noise density of the fluxgate sensor and far below the ambient
 194 noise (several tens of pT), indicating that it is negligible in our system.

195 One of the advantage of the spinner magnetometer is that the signal-to-noise ratio (S/N) can be improved by post
 196 processing. This spinner magnetometer conducts a box-car integration (stacking) of the magnetic field signals whose
 197 reference signal is the encoder output. By filtering and stacking of the data over multiple revolutions, we can decrease the
 198 noise, which is not synchronized with the rotation of the sample, unlike the periodic signal resulting from the
 199 magnetization of the sample^{17, 18}. We developed Python scripts using Scipy library (www.scipy.org) that conducts three
 200 steps of post processing. Figure 3 shows an example of the post processing using the dataset of the Apollo 12 sample (No.
 201 12018.15) measured in the LSLF vault. The first step is removing low-frequency noise components whose frequencies
 202 are lower than that of the revolution (drifting and baseline jumping) due to temperature drifts and disturbance of the
 203 ambient field, which may be dominant in the untreated signal (left-side chart of Fig.3a). To remove this low-frequency
 204 noise, we subtract the baseline from the signal. The baseline is estimated by the application of a Savitzky–Golay filter
 205 with 1st order polynomial fitting and 32 points window. The baseline for the first and last 32 points, where we cannot
 206 apply this filter, is estimated by a linear approximation. The right-side chart of Fig.3a shows the signals after subtracting
 207 the baseline, indicating the successful removing of the targeted noises. The second step is stacking (Fig. 3b). In the
 208 stacked result, we can roughly identify the sinusoidal curve buried in high-frequency noises. The third step is the low-
 209 pass filtering by a fast Fourier transformation (FFT). Since we try to explain the magnetic field by a single dipole source

210 at the stage center in this paper, we do not use the high frequency components. The high-frequency components shorter
211 than 100° wavelength, which can be originated fine-scaled magnetic structure, high-frequency noises, or non-dipole
212 component ²⁰, are removed by FFT filter after smoothing by a weak Savitzky–Golay filter with 1st order polynomial
213 fitting and 11 points window. The solid line in Fig.3b is the waveform after this FFT filtering. Since the stacked
214 waveform is averaged over multiple periods, it is enough continuous at both ends to carry out FFT. This stacked and
215 filtered waveforms are used for the inversion to predict the dipole source parameters. This last step consists in a standard
216 least-square inverse approach to find the best-fitting set of the 3 unknown parameters: dipole moment intensity,
217 inclination and declination. The dipole is assumed to be centered. Indeed, our results show that 90% of the samples show
218 magnetic field measurements ‘coherent’ (i.e. less than 20% of error between predictions and observations) with a dipolar
219 source located at the center of the sample, though the rest 10% of the samples contain quadrupole or higher harmonics
220 probably due to the very anisotropic shape or heterogeneous composition like lunar impact breccia. Off centered dipole
221 may also be the source of non-dipole character ²⁰.

222 During the measurements, the LabView program displays the raw data after stacking with error bars (+/- standard
223 deviation) as a plot versus rotation angle θ . Note that we visualize a result of stacking without filtering to reduce the CPU
224 load and keep the real-time routine. The program also shows the estimated sinusoidal curve and the noise level, which are
225 calculated by FFT results of the observed signal. The noise will reduce with stacking inversely with the square root of the
226 number of revolutions. The user can stop the rotations of the sample when the quality value cannot improve any further
227 by adding revolutions. The nominal revolution time is about 8 turns (1.5 minutes) and thus the noise is reduced by 65 %
228 ($= 8^{-0.5}$) theoretically ¹⁷. The user also can check the skewness of the sinusoidal curve, which can originate from the shape
229 effect or inhomogeneity of NRM, and increase the sensor-to-sample distance to reduce those multipole components.

230

231 VI. PERFORMANCE OF THE MAGNETOMETER

232 Table 1 and Figure 4a show the result of a demagnetization experiment at the CEREGE laboratory (Aix-en-Provence,
233 France) using the large sample spinner magnetometer and a commercially available SQUID magnetometer with an in-
234 line alternating field (AF) demagnetizer (2G Enterprise, model 760R). A small terrestrial basalt fragment (0.98 g), which
235 can be considered as a quasi-dipole source, is enclosed in a 1 inch cubic plastic capsule. The sample is measured with the
236 spinner magnetometer using a three-position scheme (i.e., rotation around x-, y-, and z-axis), and then, it is also measured
237 with the SQUID magnetometer and demagnetized by the AF. We continue this sequence up to 80 mT AF
238 demagnetization field to check for the effect of variable magnetic moment intensity. In view of the high precision of the
239 SQUID magnetometer (2×10^{-11} Am²) ²¹, and its cross calibration with other magnetometers in our laboratory (including

240 a JR5 spinner magnetometer from AGICO Inc.), we consider that the moment intensity measured with this instrument is
241 close enough to the actual magnetic moment intensity for the intensity range in this study (10^{-6} Am²). The predicted
242 intensities of the dipole moment using our spinner magnetometer are in close agreement with the actual dipole moments,
243 though there is some overestimation between 0.8 % and 7.0 % (Fig. 4a). Since the amount of the overestimation is not a
244 function of the intensity of the magnetic moment, it seems that this error is not due to the noise but other factors such as
245 positioning error when we replace the samples at each step. It is notable that the error in the direction is also small (from
246 3° to 10°, Table 1). The cubic shape of the sample capsule can constrain the tilt (inclination) of the sample but let freely
247 rotate horizontally (declination) during the repeated placing of the sample. This may explain the larger error in
248 declination (from -1° to +12°) than in inclination (from +2° to +3°).

249 We estimated the repeatability error of this instrument by five repeated measurements of this basalt sample. Due to
250 our operational schedule, we conducted this experiment within a magnetically shielded room of the CEREGE laboratory
251 but without the mumetal shield of the instrument. This configuration increases the background field and noise by a factor
252 of ten. The sample was saturated in a 1 T magnetic field generated by a pulse magnetizer (model MMPM-9, Magnetic
253 Measurements Ltd.). The standard deviation for the five measurements is 3 % of the average magnetization of the sample
254 (Table 2). The semi-angle of aperture of the 95% confidence cone (α_{95})²² is 1.7°, which gives one angular standard
255 deviation ($\pm 1\sigma$) of 2.2°. These results indicate a satisfactory repeatability of this instrument. We also conducted a series
256 of measurements at four different sensor-to-sample distances. The result shows similar variability as for the repeatability
257 test (Table 3). This indicates that the error due to the different distance is within of the error due to the repeatability.
258 Overall, the intensity and directions provided by the instrument are precise within 3% and 2°, respectively, and likely
259 better than that when using the mutmetal shielding.

260 Figure 4b shows the example of the severe S/N condition of sample demagnetized by 80 mT AF. The peak-to-peak
261 noise at CEREGE experiment is 250 pT_{p-p} and that at NASA (Fig. 3b) is 203 pT_{p-p} that is 20% weaker than in CEREGE.
262 Carefully observing the result at LSLF, there is no spike noise such the one visible in the result at CEREGE. This low
263 noise environment at the LSLF vault is due to the fact that the vault itself is equivalent to a closed stainless-steel capsule
264 which acts as a good electromagnetic shield. As demonstrated by a previous study, it is hard to recover the signal buried
265 in a strong noise. Using these background noise data, we try to estimate the worst S/N for which we can still recover the
266 signal. The S/N is defined as (*root mean square amplitude of signal*) / (*standard deviation of noise*). We can assume that
267 the forward model using equation (1) and the estimates by the SQUID measurement can be the actual signal without
268 noise. The noise can be estimated by the difference between this forward model and the observed signal after stacking.
269 Because the S/N for B_x is simply half that of B_y (eq. 1), we consider only B_y now. The amplitude of B_y given by the

270 SQUID measurement is $16.7 \text{ pT}_{\text{rms}}$ ($47.7 \text{ pT}_{\text{p-p}}$) and the standard deviation of the noise is $33.5 \text{ pT}_{\text{rms}}$, giving $S/N = 0.50$.
271 We can also calculate the S/N for the Apollo 12 sample (No. 12018.15) in the same manner but using the predicted
272 dipole moment as a signal. The Apollo sample (Fig. 3b) shows the signal amplitude of $B_Y = 36.8 \text{ pT}_{\text{rms}}$ ($104.5 \text{ pT}_{\text{p-p}}$) and
273 the noise of $28.4 \text{ pT}_{\text{rms}}$, giving $S/N = 1.30$ that is better S/N than at the CEREGE laboratory. This is because (1) the
274 difference in the intensity of the magnetic moment and (2) the background at NASA vault is about 15% quieter than at
275 CEREGE. Therefore, we can estimate that the demagnetization experiment at CEREGE (Fig. 4b) was performed in
276 worse conditions than the operations that took place at LSLF, and that this test demonstrates that our magnetometer can
277 recover the signal from, at least, the condition $S/N = 0.5$.

278 The detection limit for the magnetic moment can be defined by the point where the observed signal (in root mean
279 square amplitude) becomes equal to the standard deviation of noise. Figure 5 shows the estimation of the detection limit
280 for B_Y at different noise floors at $S/N = 1$. Since our magnetometer can adjust the sample to sensor distance d , the
281 sensitivity for the magnetic moment m and the detection limit is a function of the distance and the noise floor. Because
282 our magnetometer can recover the signal from $S/N = 0.5$ condition and the noise at NASA is $30 \text{ pT}_{\text{rms}}$, we can measure
283 the magnetic moment above 15 pT noise-floor line in the Fig.5. This figure also plots typical magnetic moment of three
284 major moon rock types at given weight, according to the previous study of the natural remanent magnetization (NRM) of
285 Apollo samples measured by SQUID ⁶. At $d = 20 \text{ cm}$, we can measure most of breccia rocks down to 10 g , whereas small
286 (several tens of grams) basalt rocks having slightly weaker NRM need to approach at $d = 15 \text{ cm}$. Even when the
287 background noise increases by a factor of 6 (90 pT line in Fig. 5), we can safely measure those types of rocks that have
288 relatively strong NRMs, if the sample is heavier than about 50 g . Norite and anorthosite rocks, which are generally very
289 weakly magnetized, need a sensor-to-sample distance of about $d = 10 \text{ cm}$ to measure $> 100 \text{ g}$ samples, and even down to
290 $d = 5 \text{ cm}$ for samples below 100 g . With these detection limits, we could actually measure almost every breccia and
291 basalt sample in the Apollo collection, except those that are stored in steel containers.

292 In the equation (1), we consider only the sinusoidal output produced by a homogeneously magnetized spherical
293 sample that generate a dipole field ¹⁹. However, assuming that the sample holder is completely filled by a sample and
294 homogeneously magnetized, such cubic sample does not generate a dipole magnetic field. To evaluate this shape effect,
295 we calculate the signal from a homogeneously magnetized cubic sample based on the calculation by Helbig ²³ in addition
296 to a dipole source (see Appendix B). Figure 6a shows the half-cycle of the calculated signals expressed as linkage
297 coefficients equivalent to \mathbf{B}/m , showing M-shaped waveforms. The distance (r) is equal to the length of the edge of the
298 cube (a). The magnetic signal is reduced at the angles where the peaks of the dipole field are located ($\theta = 0^\circ$ for the radial
299 component and $\theta = 90^\circ$ for the tangential component), and the amount of error becomes maximum at these angles (Fig.

300 7). Figure 7 shows the error of the signal normalized by the amplitude of the dipole field at different distances, and Fig. 6b
301 shows the plots of the errors at $\theta = 0^\circ$ (90°) of the radial (tangential) components as functions of the normalized distance
302 (r/a). The error reduced rapidly with increasing the distance by a factor of $(r/a)^{-3.9}$. The normalized error becomes
303 acceptable (3.7%) at $r/a = 1.5$, ignorable (1 %) at $r/a = 2.1$ and negligible (0.26 %) at $r/a = 3$. Thus, as a rule of thumb, a
304 distance farther than $r/a \geq 1.5$ is recommended to reduce the shape effect. In the actual measurement of the Apollo
305 samples, 62% of the samples were measured at distance farther than $r/a = 1.5$ and 93% of them were measured with $r/a \geq$
306 1.25, based on the size of the cubic sample holder. Since the sample is always smaller than the holder, the actual r/a ratio
307 is better than the value computed from the holder size. Therefore, we estimate that the deformation of the signal due to
308 the shape effect is small in our study. In fact, as mentioned in the previous section, most of the measured signals can be
309 explained by a dipole field. Detailed analyses of the harmonics will help us to reveal the origin of the heterogeneous
310 magnetizations¹⁷⁻²⁰.

311

312 VII. CONCLUSION

313 In order to measure the remanent magnetization of large bulk samples, we have developed a spinner magnetometer
314 equipped with a three-axis flux gate sensor and a large sample table enclosed within a two-layer mu-metal magnetic
315 shield resulting in a residual field of about 20 nT. The adjustable sensor position (5 to 30 cm) enables the measurement of
316 small (5 cm cube) to large (20 cm cube) samples with acceptable deformation of the sinusoidal signals. By means of the
317 stacking technique of the signal, the experiments demonstrate that this instruments can measure weak ($17 \text{ pT}_{\text{rms}}$)
318 sinusoidal signals for $S/N = 0.5$. This performance indicates that the magnetometer can measure magnetic moments of
319 about $5 \times 10^{-7} \text{ Am}^2$ at the standard sample to sensor distance $d = 15 \text{ cm}$. This detection limit corresponds to the NRM of
320 about 10 g of lunar basalt or breccia. Because we focused on the samples that range from 22 g to 4.7 kg in mass, this
321 magnetometer can cover theoretically all of the basalt and breccia samples that we are interested in. We have already
322 conducted a first visit to NASA and measured 133 samples in 4 working days, demonstrating an optimized mechanism
323 and workflow of this magnetometer. In this study, we used the simplest magnetization model (single dipole source at the
324 stage center). However, due to the possible anisometric shape and/or off-center positioning in the cubes and/or
325 lithological heterogeneities, the actual sample may have off-centered and/or multiple dipole(s) that cannot be explained
326 by this simple magnetization model. In the future studies, we will customize the model for the individual samples by
327 integrating other information (e.g. shape and lithology) to explain the magnetic field distribution around such

328 heterogeneously magnetized samples. This spinner magnetometer is also able to measure other large and precious
 329 samples, e.g. whole meteorites and archeological artifacts, without destructive sampling.

330

331 **ACKNOWLEDGEMENT**

332 This project was made possible by a seed funding from the Programme National de Planétologie (INSU-CNES), and
 333 subsequent funding by the Agence Nationale de la Recherche (grant ANR-14-CE33-0012). We are greatly indebted to
 334 the lunar sample curators and processors (Ryan Zeigler, Andrea B. Mosie, Darvon Collins, Anthony Ferrell) at NASA
 335 Johnson Space Center for their time, patience and understanding. J.G. acknowledges funding from People Programme
 336 (Marie Curie Actions) of the European Union's Seventh Framework Programme (FP7/2077-2013) under REA grant
 337 agreement no. 298355. EAL would like to thank NASA grants NNA14AB01A and NNX15AL62G and NSF grant DMS-
 338 1521765 for partial support. M.U. wishes to thank Ateliers Mécaniques de Précision in Eguilles for their fine mechanical
 339 processing.

340

341

342 **APPENDIX A**

343 The eq. (1) indicates that the radial and tangential component of a dipole moment can be observed as a sinusoidal
 344 curve given by $B(\theta) = A \sin(\theta)$. When we use an encoder with a resolution of N positions per revolution, the encoder
 345 resolution is $\Delta\theta = 2\pi/N$ and the apparent encoder angle is $\theta_{enc}(n) = n \times \Delta\theta = 2\pi n/N$. According to eq. (2) the worst-case
 346 signal error (quantization error) for the observation of $B(\theta)$ at n -th encoder position becomes

$$347 \quad err(\theta, \Delta\theta) = B(\theta + \theta_{err}) - B(\theta) = \Delta\theta \times a(\theta_{enc}(n)) = \Delta\theta \times \frac{d(A\sin(\theta))}{d\theta}(n\Delta\theta) = \Delta\theta A \cos(n\Delta\theta) \quad (A1).$$

348 The absolute value of this signal error becomes maximum of $A \times \Delta\theta = 2\pi A/N$ when $|\cos(n\Delta\theta)| = 1$.

349 Using the averaging technique, we average the signal between n -th and $(n + 1)$ -th encoder position to represent the
 350 magnetic field when θ is in range of $\theta_{enc}(n) \leq \theta < \theta_{enc}(n + 1)$. The stacking technique increases number of measurement to
 351 be averaged. The averaged signal at this θ is given by

$$352 \quad \bar{B}(\theta) = \frac{1}{\Delta\theta} \int_{n\Delta\theta}^{(n+1)\Delta\theta} A \sin(\theta) d\theta \quad (A2).$$

353 For a large enough number N , we can use $\sin(\Delta\theta/2) \sim \Delta\theta/2$ and to approximate this integration,

$$354 \quad \bar{B}(\theta) = \frac{A}{\Delta\theta} \{\cos((n + 1)\Delta\theta) + \cos(n\Delta\theta)\} = \frac{2A}{\Delta\theta} \sin\left(\frac{2n + 1}{2} \Delta\theta\right) \sin\left(\frac{\Delta\theta}{2}\right) \approx A \sin\left(n\Delta\theta + \frac{\Delta\theta}{2}\right) \quad (A3).$$

355 Therefore, the averaged signal for this θ can be approximated to $B(\theta + \Delta\theta/2)$. This equation indicates that the averaging
 356 technique also improves the quantization error in the angular position by the convergence of the averaged signal towards

357 $B(\theta+\Delta\theta/2)$. The worst-case signal error for eq. (A3) is given when the θ is at $\theta_{enc}(n)$ or just before $\theta_{enc}(n+1)$. The worst-
 358 case error for $\theta_{enc}(n)$ is given by

$$\begin{aligned}
 359 \quad \bar{B}(\theta) - B(\theta_{enc}(n)) &= A \sin\left(n\Delta\theta + \frac{\Delta\theta}{2}\right) - A \sin(n\Delta\theta) \\
 360 \quad &= 2A \sin\left(\frac{\Delta\theta}{4}\right) \cos\left(n\Delta\theta + \frac{\Delta\theta}{4}\right) \approx \frac{\Delta\theta}{2} A \cos\left((n + \frac{1}{4})\Delta\theta\right) \quad (A4). \\
 361
 \end{aligned}$$

362 The worst-case signal error is, therefore, approximately half of the no-averaging case given by eq. (A1).

363 A similar error can occur due to the second ordered low-pass filter with a cut-off frequency of 100 Hz built-in in the
 364 signal conditioning unit when the rotation speed is too fast. We suppose that the error of the low-pass filter can be
 365 acceptable (86.5% of the final value) after 2τ s, where τ is the time constant of this filter (about 2.5 ms). The sample
 366 rotates $2\tau v$ ° when the rotation speed is given by v °/s when the error diminished to an acceptable amplitude. Thus, if the
 367 resolution of the encoder ($\Delta\theta = 360^\circ/N$) is smaller than $2\tau v$, the effect of the low-pass filter is not observable. Such
 368 critical rotation speed $v_c = \Delta\theta/2\tau = 360/(2N\tau) = 141$ °/s. According to our measurement of instantaneous rotation speed in
 369 the actual measurement, we rotated the sample generally slower than v_c . However, for short periods the rotation speed
 370 sometimes reaches up to $2v_c$. This make a similar effect from the quantization error discussed above, resulting error of $(1$
 371 $- \exp(-2)) \times \text{err}(\theta, \Delta\theta \times \text{floor}(2\tau v/\Delta\theta)) = 0.135 \times \Delta\theta \times \text{floor}(2\tau v/\Delta\theta)$ using eq. (A1). The function $\text{floor}(x)$ returns the
 372 integer part of x . This error is $0.135 \times 2\Delta\theta$ when $v = 2v_c$. Thus, the estimated error due to the low pass filter is about 27%
 373 of the quantization error, which can be ignored. This error becomes comparable to the quantization error when v becomes
 374 $7.4 v_c = 1044$ °/s, which is equivalent to 2.9 Hz sample rotation frequency, for our combination of low-pass filter ($\tau = 2.5$
 375 ms) and encoder ($N = 512$). This is five times faster than the actual rotation speed. Therefore, the low-pass filter with cut-
 376 off frequency of 100 Hz used in our system does not modify the waveform of the signal from the sample.

377
 378
 379 **APPENDIX B**

380 We calculated the magnetic field around homogeneously magnetized isotropic (spherical) and cubic samples using
 381 the linkage tensor between a homogeneously magnetized body and the magnetic field given by Helbig (1965). The
 382 linkage tensor can be regarded as a normalized, dimensionless magnetic field intensity. We assumed a magnetization
 383 moment directed to +x and located at the origin of a three dimensional Cartesian coordinate system. We considered the
 384 distribution of the magnetic field in the x-y plane. According to Helbig (1965), at the position (x, y, z) , the distance from
 385 the dipole $(u, v, w) = (x - 0, y - 0, z - 0)$ and the linkage tensors for the dipole field generated by an isotropic body are
 386 given by

$$387 \quad g_{xx}^d = \frac{2u^2 - v^2 - w^2}{e^5}$$

388 and

389
$$g_{xy}^d = \frac{3uv}{e^5} \quad (B1),$$

390 where the superscript d indicated the dipole, the subscript xx and xy respectively indicates the contribution of the $+x$
391 directed magnetization to the x and y components of the magnetic field, and $e^2 = u^2 + v^2 + w^2$.

392 The three fold integration of (B1) yield the linkage tensors for a cubic sample, which has been already given by the
393 equations (4) in Helbig (1965). Some calculated values in the first quadrant has been given in Table 1 of Helbig (1965).
394 However, the equations of Helbig (1965) do not reproduce the calculated values; they also cannot be applied to our
395 calculation directly due to some problems. We used the equation modified after equations (4) in Helbig (1965),

396
$$g_{xx} = \left[\left[\frac{u}{|u|} \arcsin \left(\frac{v \cdot w}{\sqrt{u^2 + v^2} \cdot \sqrt{u^2 + w^2}} \right) \right]_{x+a/2}^{x-a/2} \right]_{y+b/2}^{y-b/2} \left]_{z+c/2}^{z-c/2}$$

397 and

398
$$g_{xy} = \left[\left[\ln \left(\frac{w+e}{u^2+v^2} \right) \right]_{x+a/2}^{x-a/2} \right]_{y+b/2}^{y-b/2} \left]_{z+c/2}^{z-c/2} \quad (B2),$$

399 where a , b , and c are the length of the sides parallel to the x -, y -, and z -axis, respectively. The added term $u/|u|$ in g_{xx} gives
400 the sign of u to extend the function to other quadrants. Note that $(u, v, w) = (x, y, z)$ for the moment placed at the origin.

401 The absolute value of w in g_{xy} , which can be found in the original equation, is typographical error, since the equation
402 replaced $|w|$ with w successfully reproduces the calculation results given in the Table 1 of Helbig (1965). Finally, the
403 magnetic fields can be expressed in polar coordinates by $g_{xx}(r, \theta) = g_{xx}(x, y, z) \times \cos(\theta) + g_{xy}(x, y, z) \times \sin(\theta)$ and $g_{xy}(r, \theta)$
404 $= g_{xy}(x, y, z) \times \cos(\theta) - g_{xx}(x, y, z) \times \sin(\theta)$, which respectively indicates the radial and tangential contributions at the
405 position $(x, y, z) = (r \times \cos(\theta), r \times \sin(\theta), 0)$. The calculation has been conducted with Maxima
406 (<http://maxima.sourceforge.net>).

407 Helbig, K., 1965. Optimum configuration for the measurement of the magnetic moment of samples of cubical shape with a fluxgate
408 magnetometer. *Journal of geomagnetism and geoelectricity* 17, 373-380.

409

410

411

412

413

414 REFERENCES

415 ¹M. E. Purucker and J. B. Nicholas, *Journal of Geophysical Research: Planets* **115**, E12007 (2010).

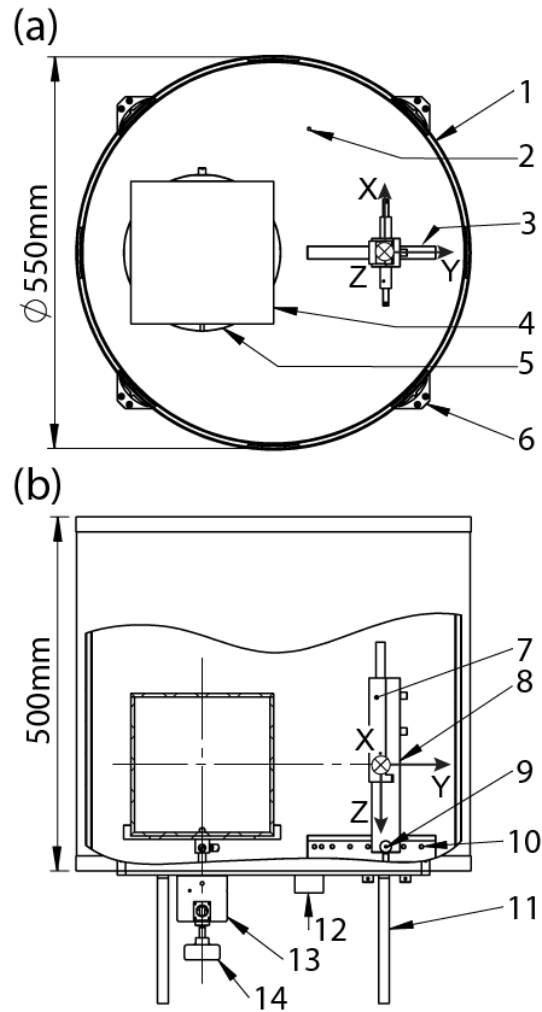
416 ²H. Tsunakawa, H. Shibuya, F. Takahashi, H. Shimizu, M. Matsushima, A. Matsuoka, S. Nakazawa,
417 H. Otake and Y. Iijima, *Space Science Reviews* **154**, 219 (2010).

418 ³M. Fuller and S. M. Cisowski, *Geomagnetism* **2**, 307 (1987).

419 ⁴B. P. Weiss and S. M. Tikoo, *Science* **346**, 1246753 (2014).

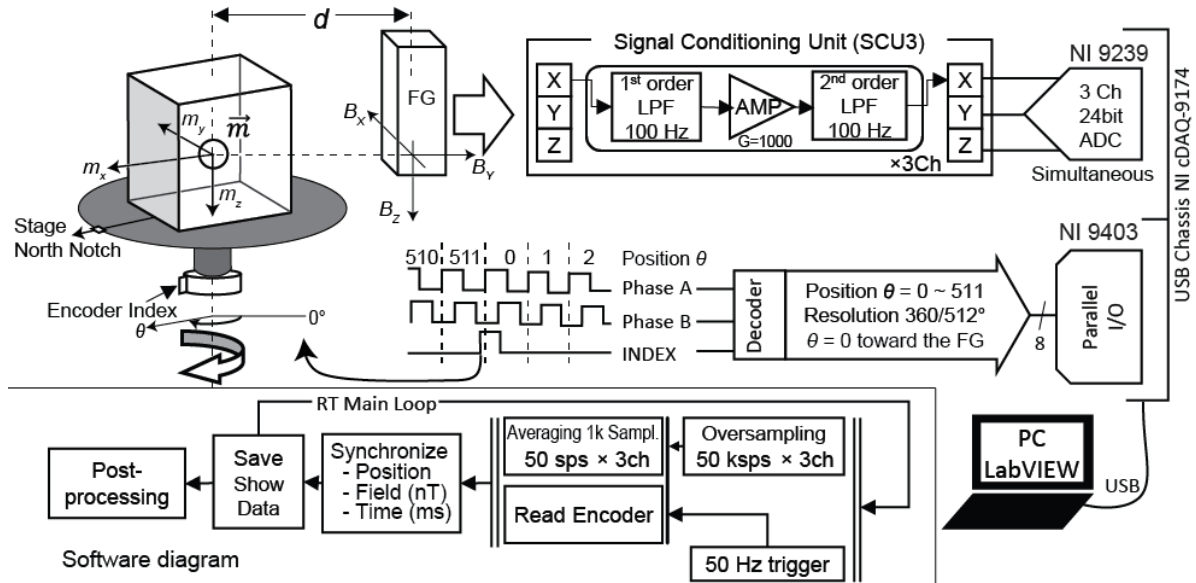
- 420 ⁵I. Garrick-Bethell, B. P. Weiss, D. L. Shuster and J. Buz, *Science* **323**, 356 (2009).
- 421 ⁶C. Cournède, J. Gattacceca and P. Rochette, *Earth and Planetary Science Letters* **331–332**, 31
422 (2012).
- 423 ⁷E. K. Shea, B. P. Weiss, W. S. Cassata, D. L. Shuster, S. M. Tikoo, J. Gattacceca, T. L. Grove and
424 M. D. Fuller, *Science* **335**, 453 (2012).
- 425 ⁸S. M. Tikoo, B. P. Weiss, W. S. Cassata, D. L. Shuster, J. Gattacceca, E. A. Lima, C. Suavet, F.
426 Nimmo and M. D. Fuller, *Earth and Planetary Science Letters* **404**, 89 (2014).
- 427 ⁹J. Buz, B. P. Weiss, S. M. Tikoo, D. L. Shuster, J. Gattacceca and T. L. Grove, *Journal of*
428 *Geophysical Research: Planets* **120**, 1720 (2015).
- 429 ¹⁰W. S. Goree and M. Fuller, *Reviews of Geophysics* **14**, 591 (1976).
- 430 ¹¹J. L. Kirschvink, R. E. Kopp, T. D. Raub, C. T. Baumgartner and J. W. Holt, *Geochemistry,*
431 *Geophysics, Geosystems* **9**, Q05Y01 (2008).
- 432 ¹²T. A. T. Mullender, T. Frederichs, C. Hilgenfeldt, L. V. de Groot, K. Fabian and M. J. Dekkers,
433 *Geochemistry, Geophysics, Geosystems* **17**, 3546 (2016).
- 434 ¹³G. Pearce, W. Gose and D. Strangway, *Proceedings of the Lunar Science Conference (supplement*
435 *4, Geochimica et Cosmochimica Acta)* **3**, 3045 (1973).
- 436 ¹⁴H. Wang and B. P. Weiss, AGU meeting abstract #167372 (2016).
- 437 ¹⁵M. Funaki, M. Koshita and H. Nagai, *Antarctic Meteorite Research* **16**, 220 (2003).
- 438 ¹⁶E. Thellier, *Methods in Palaeomagnetism*, edited by D. W. Collinson, K. M. Creer and S. K.
439 Runcorn (Elsevier Amsterdam, 1967).
- 440 ¹⁷L. Molyneux, *Geophysical Journal International* **24**, 429 (1971).
- 441 ¹⁸M. Kono, Y. Hamano, T. Nishitani and T. Tosha, *Geophysical Journal International* **67**, 217
442 (1981).
- 443 ¹⁹D. W. Collinson, *Reviews of Geophysics* **13**, 659 (1975).

- 444 ²⁰K. Kodama, *Geochemistry, Geophysics, Geosystems* **18**, 434 (2017).
- 445 ²¹M. Uehara, J. Gattacceca, P. Rochette, F. Demory and E. M. Valenzuela, *Physics of the Earth and*
446 *Planetary Interiors* **200–201**, 113 (2012).
- 447 ²²R. Fisher, *Proceedings of the Royal Society of London. Series A. Mathematical and Physical*
448 *Sciences* **217**, 295 (1953).
- 449 ²³K. Helbig, *Journal of geomagnetism and geoelectricity* **17**, 373 (1965).
450
451



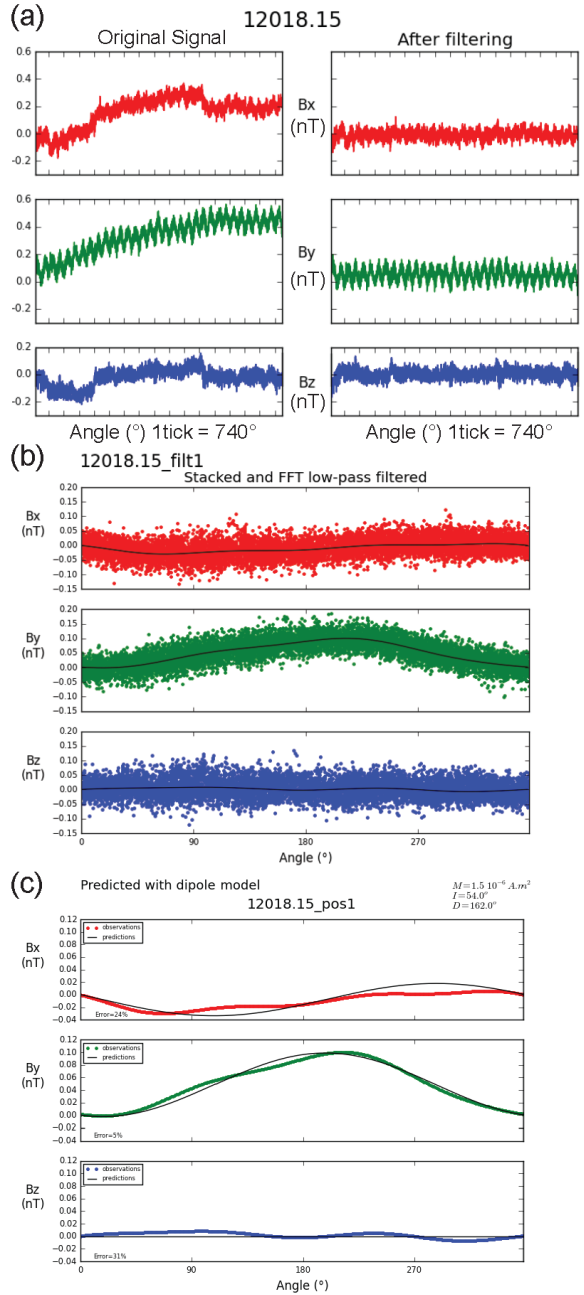
452
 453
 454
 455
 456
 457
 458
 459
 460
 461

FIG. 1. Schematic illustrations of the magnetometer in the top view opening the top cover (a) and the side view showing the interior by a broken-out section of the shield (b). A two-layered mu-metal shield (1) enclosing a three-axis fluxgate sensor (7) mounted on a sensor holder (8) that can slide on a rail (3), and a sample (4) on a rotating table (5). The sensor-to-sample distance is adjusted by changing the position of the pin (9) fixed on bores (10). The user can rotate the table by a handle (14) and the rotation angle is measured by an optical encoder unit (13). The power supply and the outputs of the sensor are connected to the outer signal conditioning unit via feedthroughs (2) and a connector (12). The mu-metal shield and the entire system is mounted on an aluminum plate (6) supported by aluminum feet (11). The coordinate system is shown in the figures. The horizontal and vertical lines in (b) show rotation axis and the horizontal centerline of the sensor, respectively.



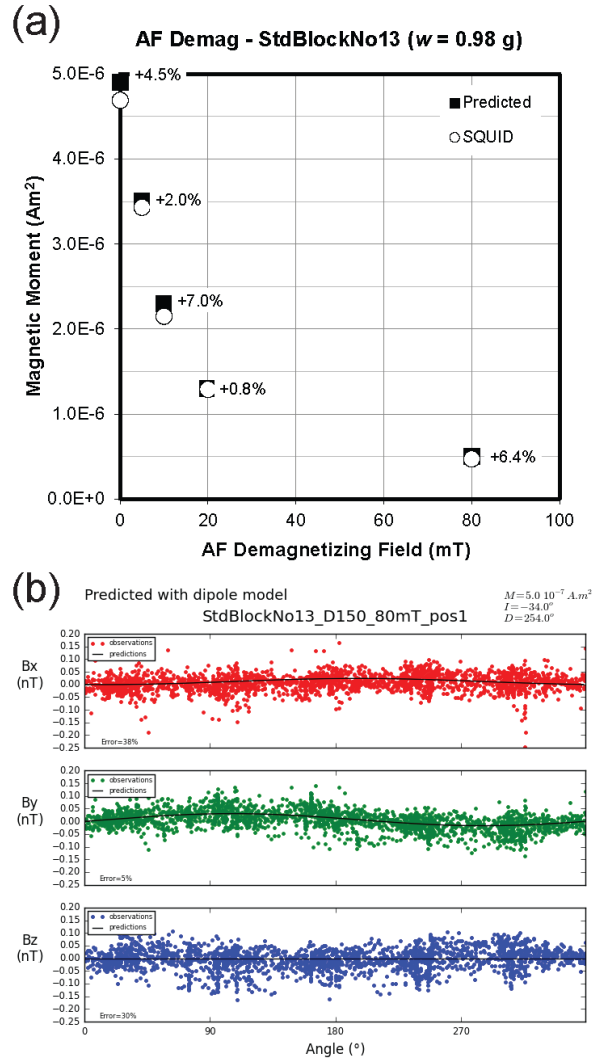
462
 463
 464
 465
 466
 467
 468
 469
 470
 471

FIG. 2. Schematic diagrams of the magnetometer. The magnetic field from the magnetic moment of the sample (\vec{m}) is detected by the 3 axis fluxgate sensor (FG) at the distance d connected to the signal conditioning unit (SCU3) that filters high frequency noises and amplitude at a gain of 1000. The output of the three magnetic field components (B_x, B_y, B_z) are simultaneously digitized by 3 channels of a 24-bit A/D converter (NI9239). The encoded rotation angle of the sample table (θ) is decoded by a decoder IC connected to a parallel I/O unit (NI 9403) and converted in a relative angle. The zero position is where the index of the encoder exactly faces the fluxgate sensor. The resolution is 512 steps per a revolution. The A/D unit and the I/O unit are mounted to a USB chassis (NI cDAQ-9174) and connected to a PC via USB port. A Lab-VIEW program controls the quasi real-time routine (RT Main Loop) and treats the data every 20 ms (50 Hz).



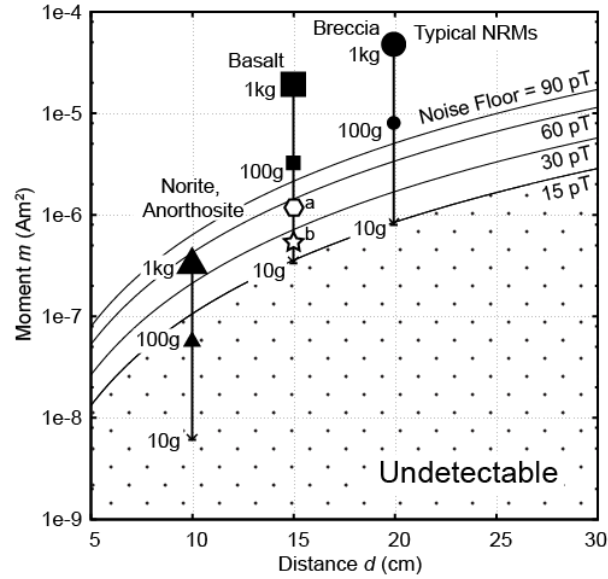
472
473
474
475
476
477
478
479
480
481
482

FIG. 3. An example of signal treatment procedure. The sample No. 12018.15, which was collected by the Apollo 12 mission, is one of the most weakly magnetized samples. The magnetic field is measured at the position 1, observed at $d = 15$ cm, and rotated 32 revolutions. All magnetic field intensities are relative to the initial value. (a) The first step is the drift and jump correction by a high-pass filter. The original signal converted in nT and plotted as a distribution over the absolute rotation angle (right chart). The small ripples having wavelength of 360° corresponding to sinusoidal signals generated by revolutions of the sample. Large drifting (400 pT) and jumping (100 pT) are observable, which have been removed by the filtering (left chart). (b) The stacked data (solid dots) compiled for a single revolution (360°) and its FFT low-pass filtered result (solid lines) after drift and jump corrections. (c) A prediction (solid black lines) with a dipole model after an inversion calculation involving data obtained at other two positions (position 2 and 3). The predicted dipole is $m = 1.5 \times 10^{-6} \text{ Am}^2$, $I = -54^\circ$, and $D = 162^\circ$.



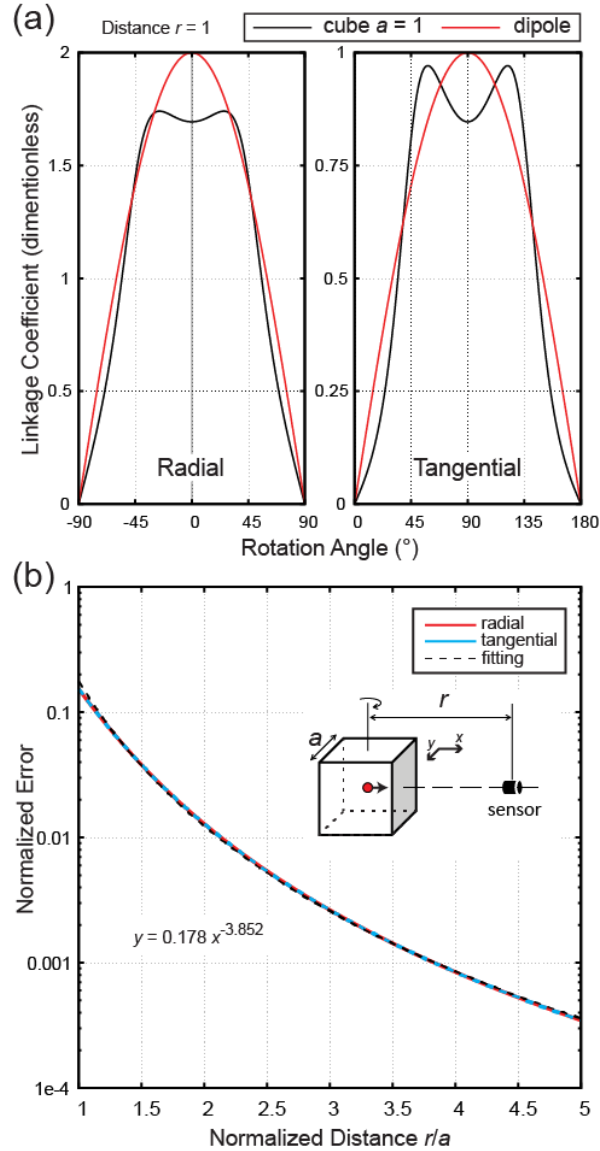
483
 484
 485
 486
 487
 488
 489
 490

FIG. 4. A demonstration of the magnetometer performances using a standard sample that is a small (0.98 g) fragment of a basalt rock. (a) The standard sample is demagnetized by alternating magnetic field (AF) up to 80 mT and measured by the developed spinner magnetometer (solid square symbols, after prediction using 3 positions) and the SQUID magnetometer (open circle symbols). The error of the prediction is also shown in percent of the SQUID results. Our data predicts the actual dipole moment measured by SQUID magnetometer in 0.8% to 7.0 % of overestimation. (b) The observations after data treatments at position 1 (dots) and the predictions of a dipole model using three positions (black lines) at 80 mT AF demagnetization step. The predicted dipole moment is $m = 5.0 \times 10^{-7} \text{ Am}^2$, $I = 34^\circ$, and $D = 254^\circ$.



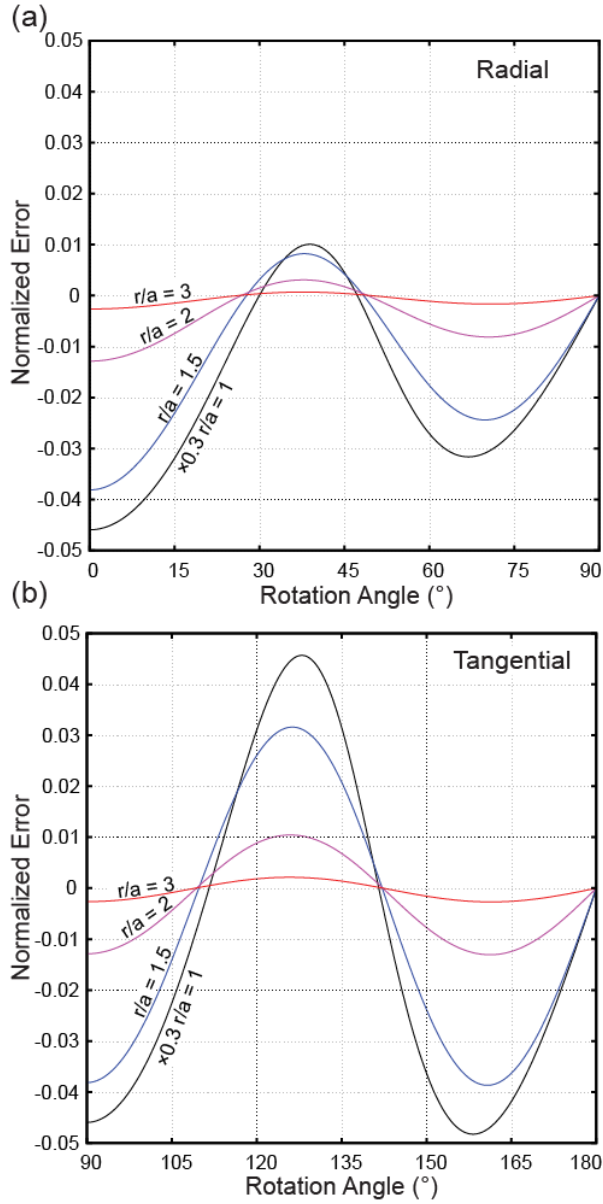
491
492
493
494
495
496
497
498
499

FIG. 5. Detection limits of the magnetometer for different sensor noise floors (15 pT, 30 pT, 60 pT, and 90 pT). The solid lines indicate where the peak-to-peak intensity of the sinusoidal signal by a rotation of a dipole moment m observed at distance d becomes equal to the given noise intensity. Note that the inclination of the dipole is horizontal making the largest amplitudes. The magnetic moment at the hatched region is undetectable due to the weak signal below noise floor of the sensor. The calculated intensities of natural remanent magnetizations (NRMs) of different masses and types of moon rocks are also shown. The NRMs of the moon rocks are given by a previous study ⁶. The samples measured in this study are also shown (a = 12018.15 at NASA, b = StdBlockNo13 at CEREGE; measurements data shown in figures 3 and 4, respectively).



500
 501
 502
 503
 504
 505
 506
 507
 508

FIG. 6. (a) The half-cycle of the calculated signals according to Helbig²³, expressed as linkage coefficient for the radial and tangential components. The distance (r) equals to the length of the edge of the cube (a). The sinusoidal curves indicate the signal from dipole source and the M-shaped deformed curve is the signal from a cubic homogeneously magnetized sample. The difference between the signal from the cube and the dipole source becomes maximum at the peak of the sinusoidal curve (0° for the radial component and 90° for the tangential component). (b) The maximum error normalized by the amplitude of the dipole field (normalized error) as a function of the distance normalized by the length of the edge (r/a). A fitting curve is also shown. The inset of (b) shows the geometry of the samples and the sensor.



509
510
511
512
513
514
515

FIG. 7. The errors due to the shape effect of a cubic-shaped sample at different normalized sensor-to-sample distances (r/a). The ranges of the rotation angle are limited to quarter cycles from the peak position of the dipole field (0° for the radial component, a; 90° for the tangential component, b). The values are normalized by the amplitude of the dipole field. The curves for $r/a = 1$ is reduced to 0.3 of the original curves.

516
517
518
519
520

TABLE 1. Alternating field (AF) demagnetization result of StdBlockNo13, showing intensity, declination, and inclination obtained by the prediction given by the inversion results of the developed spinner magnetometer and the observation by the SQUID magnetometer. The intensity and angular errors ($|\text{Dir}|$) between the predictions and the SQUID vector moments are also shown. The angular error is in absolute values.

AF Field (mT)	Prediction			Observation SQUID			Error	
	Int (Am^2)	Dec ($^\circ$)	Inc ($^\circ$)	Int (Am^2)	Dec ($^\circ$)	Inc ($^\circ$)	Int (Am^2)	$ \text{Dir} $ ($^\circ$)
0	4.90E-06	200	40	4.69E-06	201	37	2.09E-07	3.5
5	3.50E-06	200	46	3.44E-06	198	44	6.47E-08	2.6
10	2.30E-06	208	44	2.15E-06	211	42	1.53E-07	2.6
20	1.30E-06	238	42	1.29E-06	229	40	1.30E-08	7.3
80	5.00E-07	254	34	4.70E-07	242	31	3.03E-08	10.4

521
522
523
524
525
526
527

TABLE 2. A result of repeated measure of sample StdBlockNo13, showing intensity, declination, and inclination obtained by the prediction given by the inversion results. The mean value, the standard deviation, the semi-angle of aperture of the 95% confidence cone (α_{95}) and the angular standard deviation (θ_{65}) of the magnetic moment vectors are also shown.

#Run	Int (Am^2)	Dec ($^\circ$)	Inc ($^\circ$)
1	8.95E-05	2.5	1.5
2	9.37E-05	0.1	2.3
3	9.61E-05	1.4	0
4	9.53E-05	0.6	2.1
5	9.39E-05	0.7	3.8
Mean	9.37E-05	1.1	1.9
Stdev	2.56E-06	-	-
α_{95}	-	1.8 $^\circ$	
θ_{65}	-	2.1 $^\circ$	

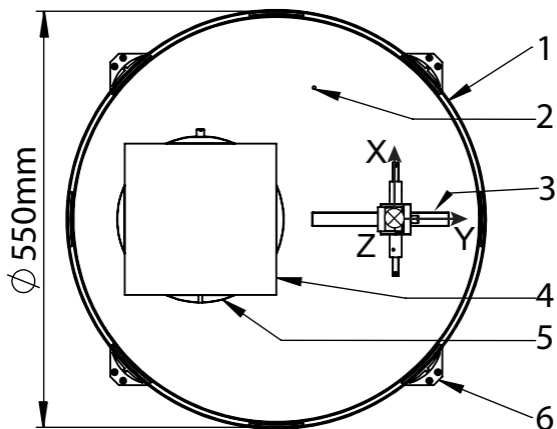
528
529
530
531
532
533
534
535
536

TABLE 3. Result of measurement of sample StdBlockNo13 at different sensor-to-sample distance, showing intensity, declination, and inclination obtained by the prediction given by the inversion results. The mean value, the standard deviation, the semi-angle of aperture of the 95% confidence cone (α_{95}) and the angular standard deviation (θ_{65}) of the magnetic moment vectors are also shown.

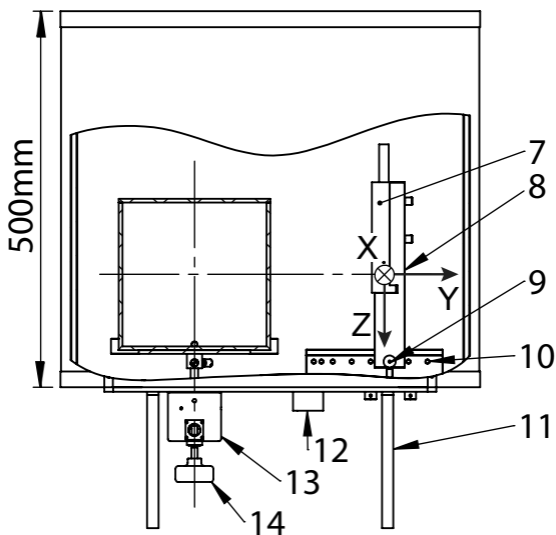
Distance (mm)	Int (Am^2)	Dec ($^\circ$)	Inc ($^\circ$)
80	9.47E-05	-0.5	-91.3
100	9.29E-05	0.1	-91.8
130	9.54E-05	1.1	-91.6
160	1.01E-04	1.8	-94.0
Mean	9.59E-05	0.5	-92.4
Stdev	3.36E-06	-	-
α_{95}	-	1.7 $^\circ$	
θ_{65}	-	2.2 $^\circ$	

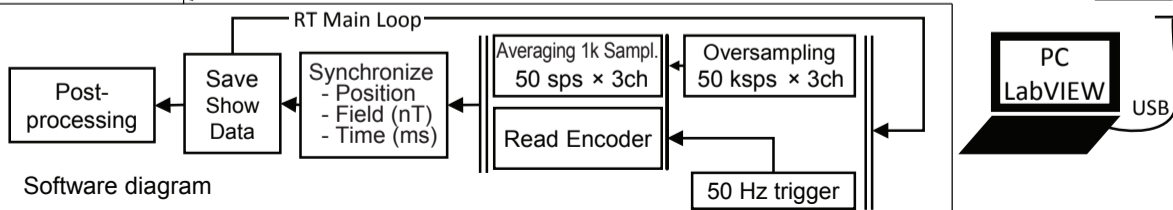
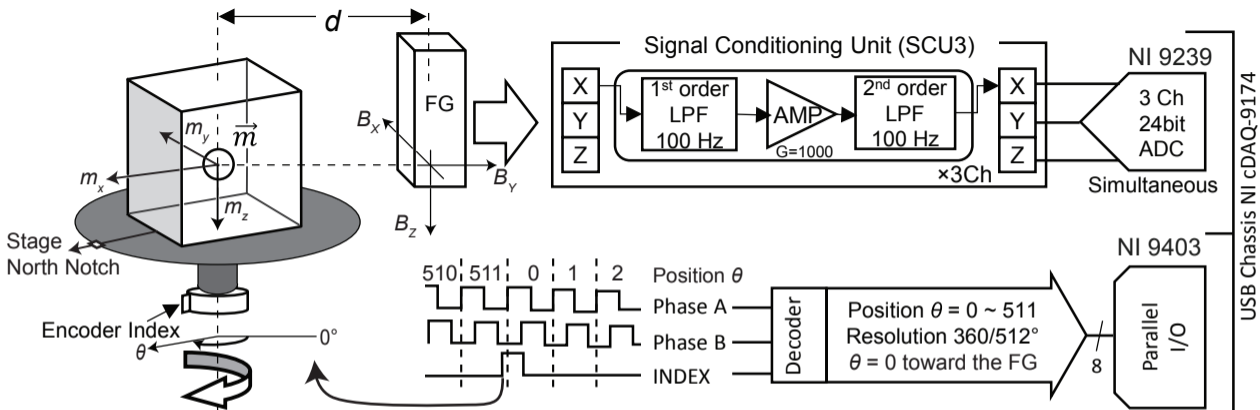
537
538
539

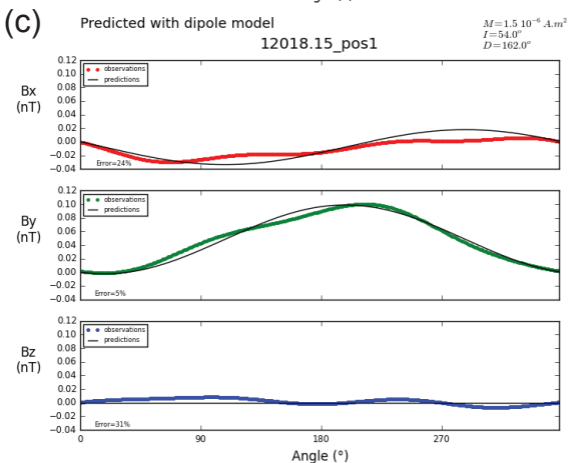
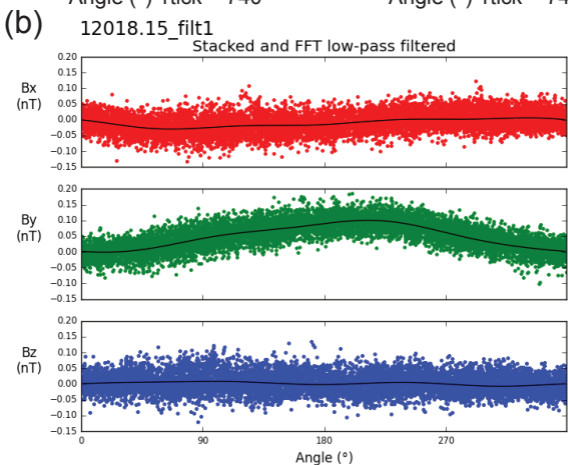
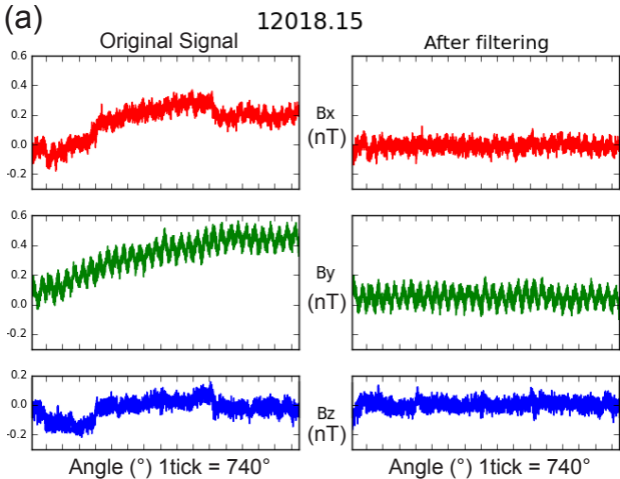
(a)

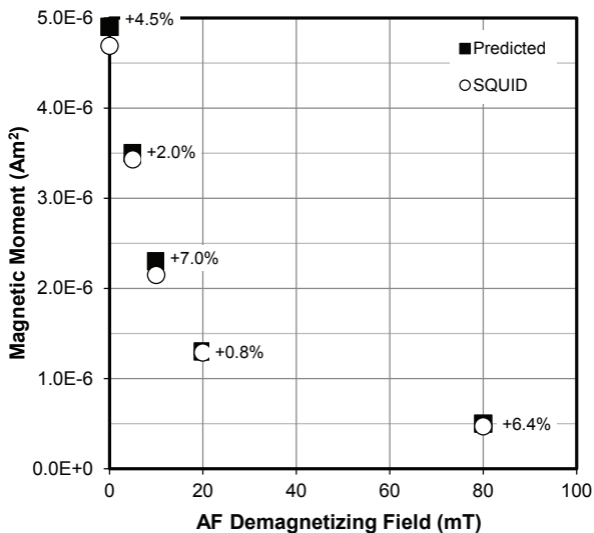


(b)







(a)**AF Demag - StdBlockNo13 ($w = 0.98$ g)****(b)**

Predicted with dipole model

StdBlockNo13_D150_80mT_pos1

 $M = 5.0 \cdot 10^{-7} \text{ A.m}^2$ $I = -34.0^\circ$ $D = 254.0^\circ$ 