



HAL
open science

Non-negative Decomposition of Sea Surface Dynamics from Multi-source Ocean Remote Sensing Data

Manuel Lopez Radcenco, Abdeldjalil Aissa El Bey, Pierre Ailliot, Pierre Tandeo, Ronan Fablet

► **To cite this version:**

Manuel Lopez Radcenco, Abdeldjalil Aissa El Bey, Pierre Ailliot, Pierre Tandeo, Ronan Fablet. Non-negative Decomposition of Sea Surface Dynamics from Multi-source Ocean Remote Sensing Data. ACO 2016 : A connected ocean: new approaches, new technologies, new challenges for knowledge of ocean processes, Oct 2016, Brest, France. 52, 2016. hal-01611018

HAL Id: hal-01611018

<https://hal.science/hal-01611018v1>

Submitted on 4 Sep 2018

HAL is a multi-disciplinary open access archive for the deposit and dissemination of scientific research documents, whether they are published or not. The documents may come from teaching and research institutions in France or abroad, or from public or private research centers.

L'archive ouverte pluridisciplinaire **HAL**, est destinée au dépôt et à la diffusion de documents scientifiques de niveau recherche, publiés ou non, émanant des établissements d'enseignement et de recherche français ou étrangers, des laboratoires publics ou privés.

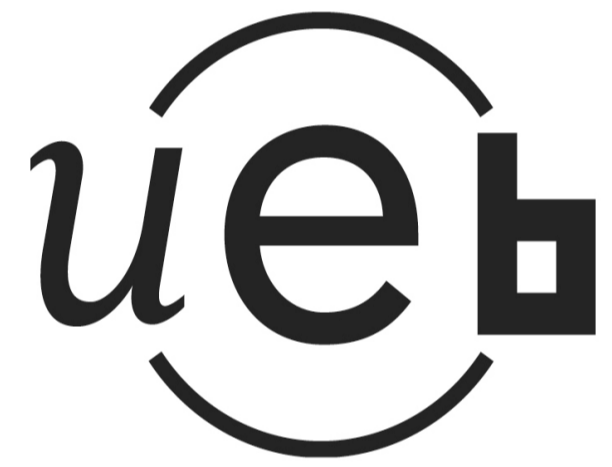
Authors & Affiliations

Manuel López-Radcenco[†]
 Abdeldjalil Aïssa-Ei-Bey[†]
 Pierre Ailliot[‡]
 Pierre Tandéo[†]
 Ronan Fablet[†]

[†]Institut Mines-Télécom, Télécom Bretagne, UMR CNRS 6285 Lab-STICC, Brest, France

[‡]Laboratoire de Mathématiques de Bretagne Atlantique, UMR 6205, Université de Brest, Brest, France

Partners



1. Abstract

The growing availability of multi-source ocean remote sensing data is a key factor for improving our understanding of upper ocean dynamics, ocean circulation and atmospheric-ocean interactions. Following an ongoing body of work that investigates mesoscale upper ocean dynamics from linear couplings between SST (sea surface temperature) and SSH (sea surface height), we propose a novel observation-driven framework for the identification and characterization of sea surface dynamical modes. It relies on a multi-modal decomposition of SST-SSH relationships. Our findings suggest that upper ocean dynamics may be decomposed as the superimposition of several dynamical modes, rather than mutually exclusive ones as investigated in previous work. Our study stresses the relevance of a non-negative bi-modal additive decomposition to capture the complex space-time variability of mesoscale upper ocean dynamics.

4. Application to SSH/SST datasets

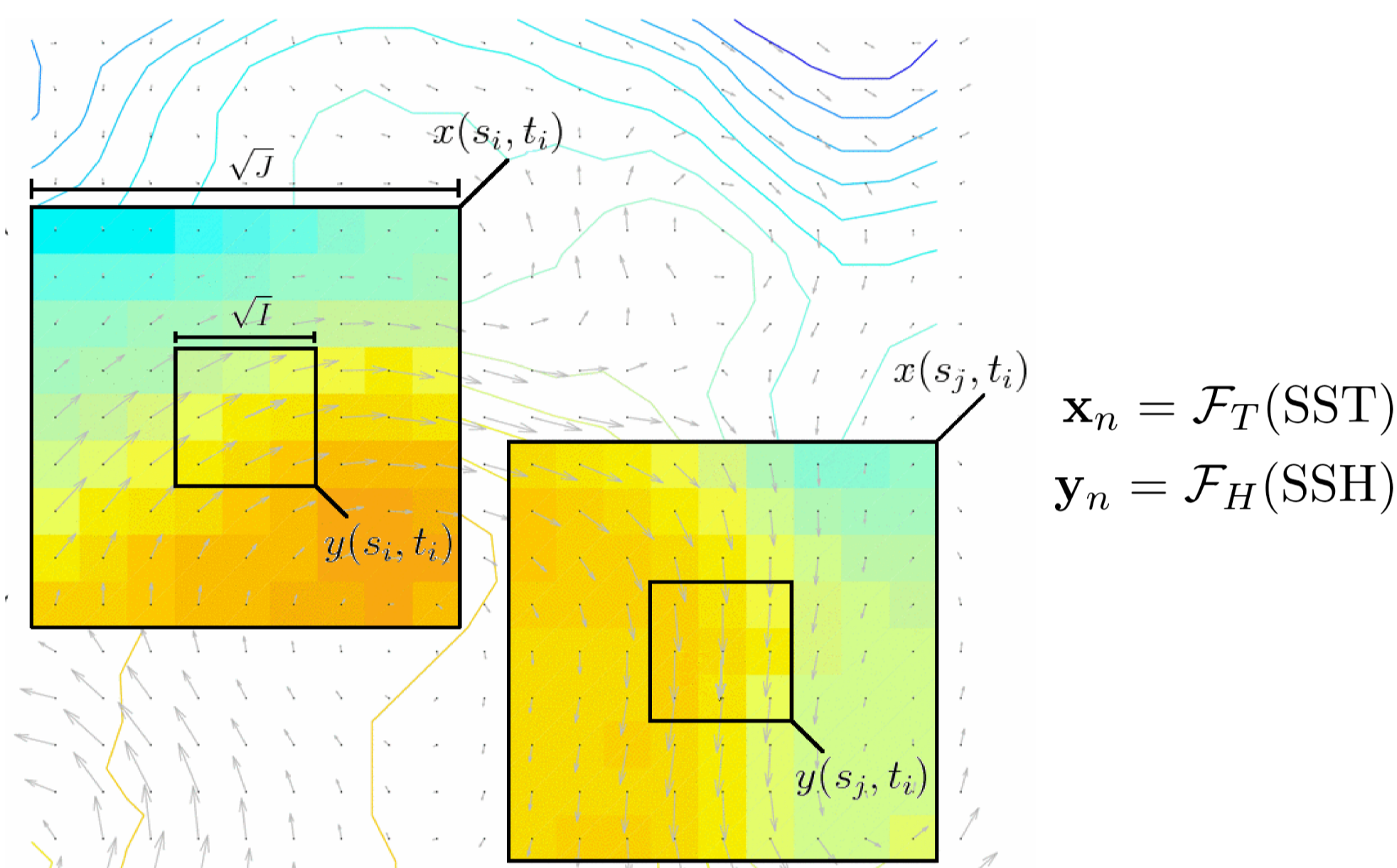


Figure 1: Patch extraction for dataset generation.

- Region of Interest: **Agulhas region**.
- Microwave SST** (OI-SST provided by RSS).
- Altimeter-derived SSH** (AVISO provided by CLS).
- Patch-based dataset generation**.
- Model training: random set of data from 2004** (4 altimeters available).
- Model applied daily to the whole 2004 dataset**.

5. Results

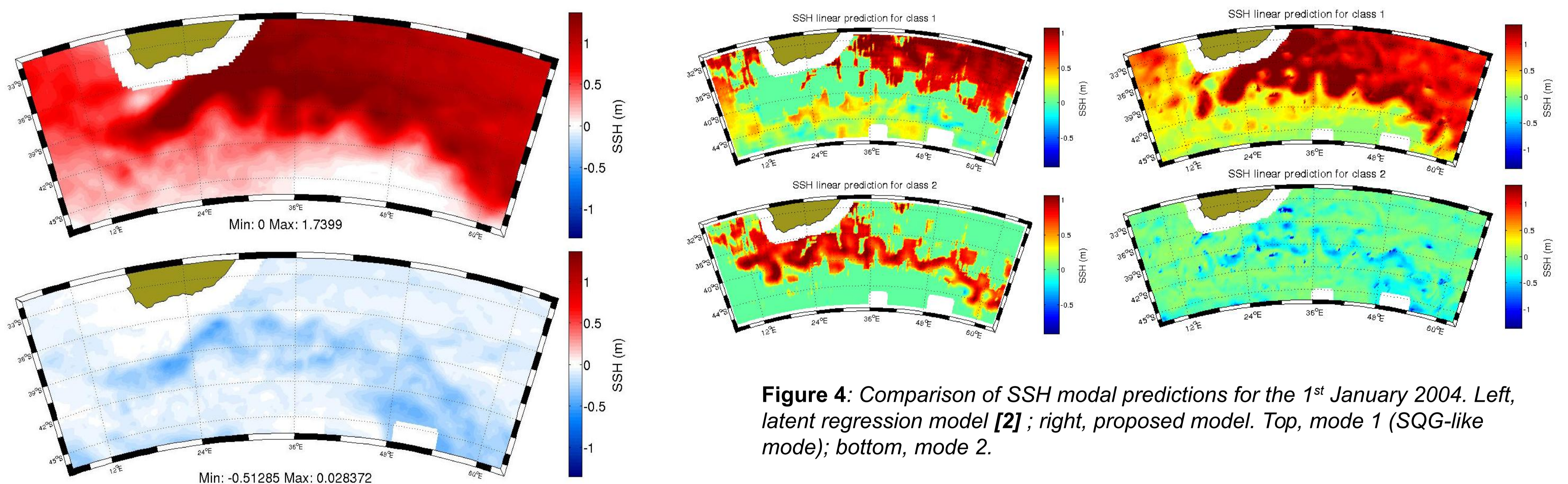


Figure 3: Mean annual SSH field prediction for each dynamical mode: top, mode 1 (SQG-like mode); bottom, mode 2.

	SSH	SSH gradient
Latent Regression Model [2] ($K = 4$)	0.1600	0.1600
Proposed model ($K = 1$)	0.1312	0.3164
Proposed model ($K = 2$)	0.0297	0.1302

Table 1: Model performance in terms of relative root mean square reconstruction error (RRMSE).

6. Conclusions

We have proposed a **novel model** characterized by the **continuous superimposition** of dynamical modes. The proposed model has **improved compatibility with locally varying upper ocean dynamics** and allows for the **local characterization of continuous shift between SQG-like and non-SQG dynamics**. As far as future work is concerned, **further analysis of model parameters** and their **physical interpretation** is needed. Applying the proposed model at a **global scale** appears promising to reveal **shared or differentiating dynamical modes**. Additionally, considering **alternative sources of information** (salinity, ocean color, etc.) is also contemplated. Alternative model formulations, such as **non-linear extensions** or **sparse formulations for mixing coefficients** could prove useful for a variety of applications, most notably in the case of the **prediction/segmentation of dynamical systems**.

2. Context and motivation

- Huge exploitation potential** exists within remote sensing datasets.
- Mesoscale upper ocean dynamics: local linear coupling between SST and SSH** (Surface Quasi-Geostrophy).

$$\mathcal{F}_H(\widehat{SSH}) = -\gamma |k|^{-1} \mathcal{F}_T(\widehat{SST})$$

However,

- Upper ocean dynamics: complex system interactions** over a **wide range of spatio-temporal scales**.
- A single SQG-like linear transfer function does not suffice to capture the whole mesoscale upper ocean dynamics** of a particular region.
- SQG-like upper ocean dynamics are not well represented** by latent class models.

3. Model

- Non-negative decomposition**.
- Dynamical modes in play do not exclude each other** but are rather **superimposed**.
- Generalization** of classical regression models and latent class models.

$$y_n = \sum_{k=1}^K \alpha_{nk} \beta_k x_n + \omega_n$$

$$\text{s.t.} \begin{cases} \alpha_{nk} \geq 0, & \forall k \in 1, K, \forall n \in 1, N \\ \|\beta_k\|_F = 1, & \forall k \in 1, K \end{cases}$$

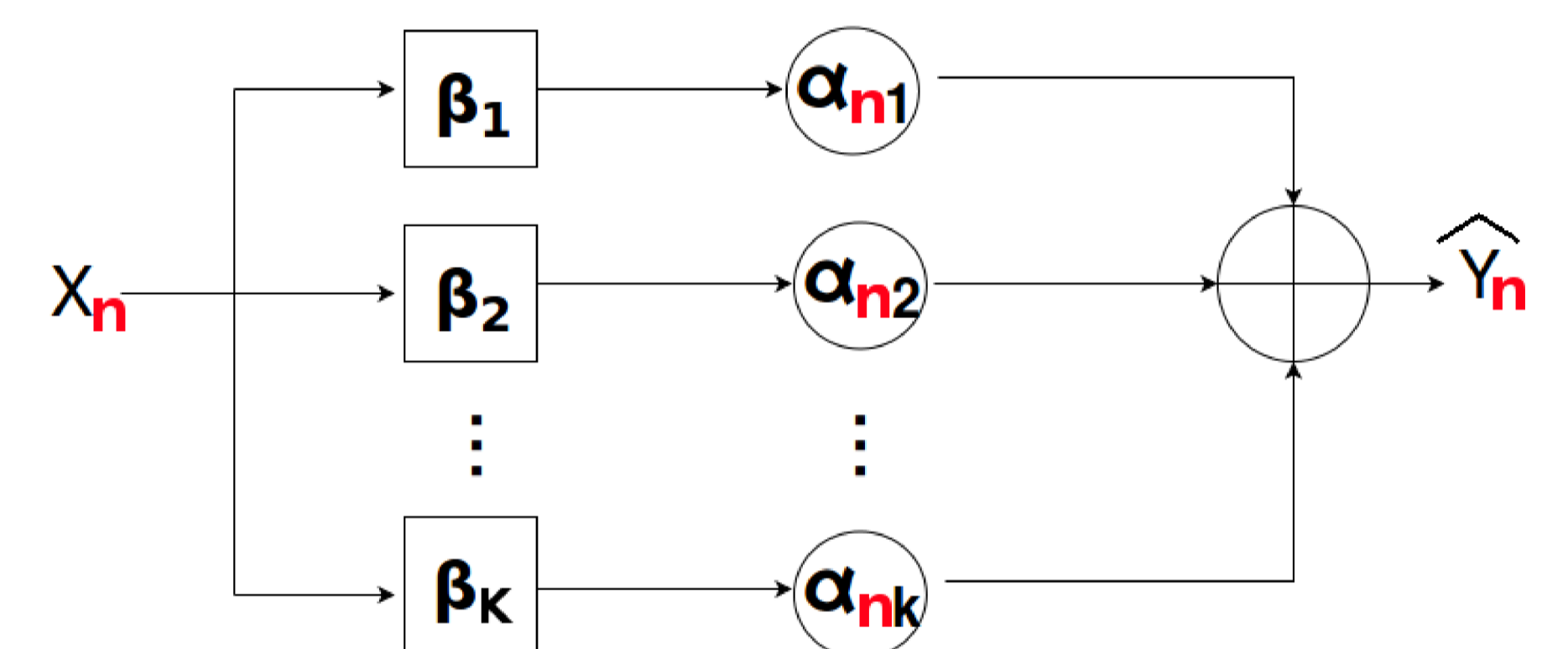


Figure 2: Model graphical representation.

References

[1] M. López-Radcenco et al., "Non-negative decomposition of linear relationships: Application to multi-source ocean remote sensing data", *2016 IEEE International Conference on Acoustics, Speech and Signal Processing (ICASSP), Shanghai, 2016*, pp. 4179-4183.

[2] P. Tandéo et al., "Segmentation of Mesoscale Ocean Surface Dynamics Using Satellite SST and SSH Observations", *IEEE Transactions on Geoscience and Remote Sensing*, vol. 52, no. 7, pp. 4227-4235, July 1 2014.

Acknowledgements

The authors would like to thank the Archiving, Validation and Interpretation of Satellite Oceanographic (AVISO) and the RSS projects for respectively providing the altimeter-derived SSH and the microwave SST data. This work was supported by ANR (Agence Nationale de la Recherche, grant ANR-13-MONU-0014) and Cominlabs Project SEACS.

Discussion

- First mode:** captures the **mean north-south gradient** and is **highly correlated to SQG-like dynamics** ($R^2 > 0.95$, $p < 0.001$).
- Second mode:** **local correction** to mode 1 that captures the **Agulhas current as a variation around the mean north-south gradient**.
- SQG-like mode** accounts for **80% of the spatio-temporal variability**.
- One order of magnitude reconstruction performance improvement** with respect to latent class model [2].