



**HAL**  
open science

# EXCEEDINGLY LARGE DEVIATIONS OF THE TOTALLY ASYMMETRIC EXCLUSION PROCESS

Stefano Olla, Li-Cheng Tsai

► **To cite this version:**

Stefano Olla, Li-Cheng Tsai. EXCEEDINGLY LARGE DEVIATIONS OF THE TOTALLY ASYMMETRIC EXCLUSION PROCESS. 2018. hal-01577658v3

**HAL Id: hal-01577658**

**<https://hal.science/hal-01577658v3>**

Preprint submitted on 24 Jul 2018 (v3), last revised 7 Jan 2019 (v4)

**HAL** is a multi-disciplinary open access archive for the deposit and dissemination of scientific research documents, whether they are published or not. The documents may come from teaching and research institutions in France or abroad, or from public or private research centers.

L'archive ouverte pluridisciplinaire **HAL**, est destinée au dépôt et à la diffusion de documents scientifiques de niveau recherche, publiés ou non, émanant des établissements d'enseignement et de recherche français ou étrangers, des laboratoires publics ou privés.

# EXCEEDINGLY LARGE DEVIATIONS OF THE TOTALLY ASYMMETRIC EXCLUSION PROCESS

STEFANO OLLA AND LI-CHENG TSAI

ABSTRACT. Consider the Totally Asymmetric Simple Exclusion Process (TASEP) on the integer lattice  $\mathbb{Z}$ . We study the functional Large Deviations of the integrated current  $\mathbf{h}(t, x)$  under the hyperbolic scaling of space and time by  $N$ , i.e.,  $\mathbf{h}_N(t, \xi) := \frac{1}{N}\mathbf{h}(Nt, N\xi)$ . As hinted by the asymmetry in the upper- and lower-tail large deviations of the exponential Last Passage Percolation, the TASEP exhibits two types of deviations. One type of deviations occur with probability  $\exp(-O(N))$ , referred to as speed- $N$ ; while the other with probability  $\exp(-O(N^2))$ , referred to as speed- $N^2$ . In this work we study the speed- $N^2$  functional Large Deviation Principle (LDP) of the TASEP, and establishes (non-matching) large deviation upper and lower bounds.

## 1. INTRODUCTION

In this article we study the large deviations of two equivalent models, the Corner Growth Model (CGM) and the Totally Asymmetric Simple Exclusion Process (TASEP). The CGM is a stochastic model of surface growth in one dimension. The state space

$$\mathcal{E}_{\mathbb{Z}} := \{f : \mathbb{Z} \rightarrow \mathbb{Z} : f(x+1) - f(x) \in \{0, 1\}, \forall x \in \mathbb{Z}\} \quad (1.1)$$

consists of  $\mathbb{Z}$ -valued height profiles defined on the integer lattice  $\mathbb{Z}$ , with discrete gradient being either 0 or 1. Starting from a given initial condition  $\mathbf{h}(0, \cdot) = \mathbf{h}^{\text{ic}}(\cdot) \in \mathcal{E}_{\mathbb{Z}}$ , the process  $\mathbf{h}(t, \cdot)$  evolves in  $t$  as a Markov process according to the following mechanism. At each site  $x \in \mathbb{Z}$  sits an independent Poisson clock of unit rate, and, upon ringing of the clock, the height at  $x$  increases by 1 if  $\mathbf{h}(t, x+1) - \mathbf{h}(t, x) = 1$  and  $\mathbf{h}(t, x) - \mathbf{h}(t, x-1) = 0$ . Otherwise  $\mathbf{h}$  stays unchanged. On the other hand, the TASEP is an interacting particle system [Lig05], consisting of indistinguishable particles occupying the half-integer lattice  $\frac{1}{2} + \mathbb{Z}$ . Each particle waits an independent Poisson clock of unit rate, and, upon ringing of the clock, attempts to jump one step to the *left*, under the constraint that each site holds at most one particle. With

$$\eta(y) = \begin{cases} 1, & \text{if the site } y \text{ is occupied,} \\ 0, & \text{if the site } y \text{ is empty} \end{cases}$$

denoting the occupation variables, the TASEP is a Markov process with state space  $\{(\eta(y))_{y \in \frac{1}{2} + \mathbb{Z}}\} = \{0, 1\}^{\frac{1}{2} + \mathbb{Z}}$ . Given a CGM with height process  $\mathbf{h}(t, x)$ , we identify each slope 1 segment of  $\mathbf{h}(t, \cdot)$  with a particle and each slope 0 segment of  $\mathbf{h}(t, \cdot)$  with an empty site, i.e.,

$$\mathbf{h}(t, y + \frac{1}{2}) - \mathbf{h}(t, y - \frac{1}{2}) =: \eta(t, y); \quad (1.2)$$

see Figure 1. One readily check that, under such an identification, the resulting particles evolves as the TASEP. Conversely, given the TASEP, the integrated current

$$\mathbf{h}(t, x) := \#\left\{\text{particles crossing } (x - \frac{1}{2}, x + \frac{1}{2}) \text{ within } [0, t]\right\} + \text{sign}(x) \sum_{y \in (0, |x|]} \eta(0, y) \quad (1.3)$$

defines an  $\mathcal{E}_{\mathbb{Z}}$ -valued process that evolves as the CGM. Associated to a given height profile  $f \in \mathcal{E}$  and  $x \in \mathbb{Z}$  is the **mobility function**, defined as

$$\begin{aligned} \phi(f, x) &:= (f(x+1) - f(x))(1 - f(x) + f(x-1)) = \mathbf{1}_{\{f(x+1)-f(x)=1, f(x)-f(x-1)=0\}} \\ &= \eta(x + \frac{1}{2})(1 - \eta(x - \frac{1}{2})), \quad \text{where } \eta(y) := f(y + \frac{1}{2}) - f(y - \frac{1}{2}). \end{aligned} \quad (1.4)$$

---

2010 *Mathematics Subject Classification*. Primary 60F10, Secondary 82C22.

*Key words and phrases*. Large deviations. Exclusion processes. Totally asymmetric. Corner Growth Model. Variational formula.

**Remark 1.1.** The standard terminology for  $\phi(f, x)$  in the literature is instantaneous current. We adopt a different term for  $\phi(f, x)$  here (i.e., mobility function) to avoid confusion with other terms (i.e., instantaneous flux) we use in the following.

Formally speaking, with  $f^x := f + \mathbf{1}_x$  denoting the profile obtained by increasing the value of  $f$  by 1 at site  $x$ , the CGM a Markov process with state space  $\mathcal{E}_{\mathbb{Z}}$ , characterized by the generator

$$LF(f) := \sum_{x \in \mathbb{Z}} \phi(f, x)(F(f^x) - F(f)). \quad (1.5)$$

Given this map between the CGM and TASEP, throughout this article we will operate in both the languages of surface growths and of particle systems. To avoid redundancy, hereafter we will refer *solely* to the TASEP as our working model, and associate the height process  $h$  to the TASEP.

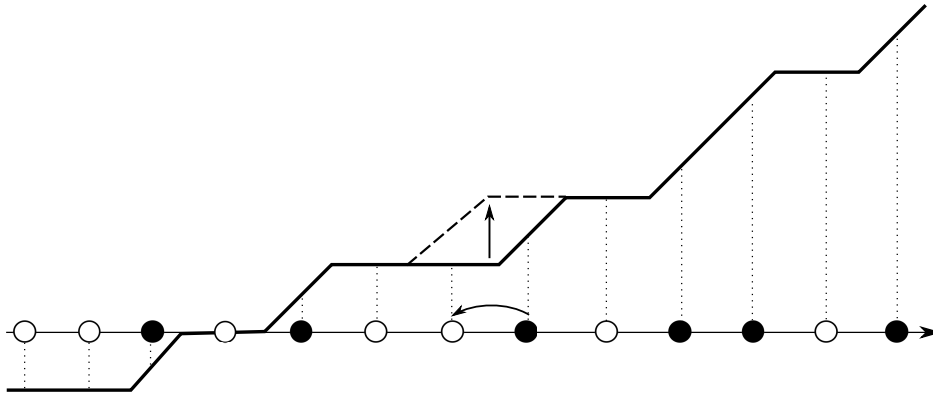


FIGURE 1. The CGM and TASEP

The TASEP is a special case of exclusion processes that is connected to a host of physical phenomena. In addition to surface growth mentioned previously, the TASEP serves as a simple model of traffic, fluid and queuing, and is linked to last passage percolation, non-intersecting line ensembles and random matrix theory. Furthermore, the TASEP owns rich mathematical structures, which has been the ground of intensive research: to name a few, the exact solvability via Bethe ansatz [Sch97]; the relation to the Robinson–Schensted–Knuth correspondence [Joh00]; a reaction-diffusion type identity [BS10]; and being an attractive particle system [Rez91].

Among known results on the TASEP is its hydrodynamic limit. Let  $N$  denote a scaling parameter that tends to  $\infty$ , and, for any  $t \geq 0$  and  $\xi \in \mathbb{R}$ , consider the hyperbolic scaling  $h_N(t, \xi) := \frac{1}{N}h(Nt, N\xi)$  of the height process. Through this article we linearly interpolate  $h_N$  in the variable  $\xi \in \frac{1}{N}\mathbb{Z}$  to obtain a process  $h_N(t, \xi)$  defined for all  $\xi \in \mathbb{R}$ . It is well-known [Ros81, Rez91, Sep98a] that, as  $N \rightarrow \infty$ ,  $h_N$  converges to a deterministic function  $h$ , given by the unique entropy solution of the integrated, *inviscid* Burgers equation:

$$h_t = h_\xi(1 - h_\xi). \quad (1.6)$$

The limiting equation (1.6), being nonlinear and hyperbolic, exhibits non-differentiability due to the presence of shock waves. This is in sharp contrast with the diffusive behavior of the symmetric exclusion processes, which, under the diffusive space time rescaling  $h_N(t, \xi) := \frac{1}{N}h(N^2t, N\xi)$ , converge to the linear heat equation.

A natural question following hydrodynamic limit concerns the corresponding large deviations. At this level, the TASEP continues to exhibit drastic difference with its reversible counterpart, symmetric exclusion processes. The LDP for symmetric exclusion processes is obtained in [KOV89], and the typical large deviations have speed  $N$ , i.e., of probability  $\exp(-O(N))$ , and are characterized by solutions of parabolic conservative PDEs. On the other hand, under the wedge initial condition, one-point large deviations of the TASEP exhibits *asymmetric* tails: the lower tail of  $h(N, 0)$  has probability  $\exp(-O(N))$  while the upper tail has probability  $\exp(-O(N^2))$ , i.e.,

$$\frac{1}{N} \log \mathbf{P} \left( \frac{1}{N} h(N, 0) < h(1, 0) - \alpha \right) \rightarrow I^{\text{lw}}(\alpha), \quad \alpha \in (0, h(1, 0)), \quad (1.7)$$

$$\frac{1}{N^2} \log \mathbf{P} \left( \frac{1}{N} h(N, 0) > h(1, 0) + \alpha \right) \rightarrow I^{\text{up}}(\alpha), \quad \alpha > 0. \quad (1.8)$$

The lower tail large deviations with an exact rate function as in (1.7) was obtained in [Sep98a] using coupling techniques; for a different but closely related model, the complete one-point large deviations as in (1.7)–(1.8) was obtained [DZ99] using combinatorics tools. These results show that the TASEP in general exhibits two-levels of deviations, one of speed  $N$  and the other of speed  $N^2$ . We note in the passing that a similar two-scales behavior is also shown in stochastic scalar conservation laws [Mar10].

The speed- $N$  *functional* large deviations has been studied by Jensen and Varadhan [Jen00, Var04]. It is shown therein that, up to probability  $\exp(-O(N))$ , configurations concentrate around weak, generally non-entropy, solutions of the Burgers equation (1.6). The rate function in this case essentially measures how ‘non-entropic’ the given solution is. In more broad terms, the speed- $N$  large deviations of asymmetric exclusion processes have captured much attentions, partly due to their connection with the Kardar–Parisi–Zhang universality and their accessibility via Bethe ansatz. In particular, much interest has been surrounding the problems of open systems with boundaries in contact with stochastic reservoirs, where rich physical phenomena emerge. We mention [DL98, DLS03, BD06] and the references therein for a non-exhaustive list of works in these directions.

In this article, we study the speed- $N^2$  functional large deviations that corresponds to the upper tail in (1.8). These deviations are larger than those considered in [Jen00, Var04], and stretch beyond weak solutions of the Burgers equation. Furthermore, the speed- $N^2$  deviations studied here have interpretation in terms of tiling models. As noted in [BCG16], asymmetric simple exclusion processes (and hence the TASEP) can be obtained as a continuous-time limit of the stochastic Six Vertex Model (6VM). The 6VM is a model of random tiling on  $\mathbb{Z}^2$ , with six ice-type tiles, and the stochastic 6VM is specialization where tiles are updated in a Markov fashion [GS92, BCG16]. Associated to these tiling models are height functions. Due to the strong geometric constraints among tiles, the height functions exhibit intriguing shapes reflecting the influence of a prescribed boundary condition. A preliminary step toward understanding these shapes is to establish the corresponding variational problem via the speed- $N^2$  large deviations. For the 6VM at the free fermion point, or equivalently the dimer model, much progress has been obtained thanks to the determinantal structure. In particular, the speed- $N^2$  LDP of the dimer model is established in [CKP01].

**1.1. Statement of the Result.** We begin by setting up the configuration space and topology. Consider the space

$$\begin{aligned} \mathcal{E} &:= \{f \in C(\mathbb{R}) : 0 \leq f(\xi) - f(\zeta) \leq \xi - \zeta, \forall \zeta \leq \xi \in \mathbb{R}\} \\ &= \{f \in C(\mathbb{R}) : \text{Lipschitz}, f' \in [0, 1] \text{ a.e.}\} \end{aligned} \quad (1.9)$$

of Lipschitz functions with  $[0, 1]$ -valued derivatives. Hereafter, ‘a.e.’ abbreviates ‘almost everywhere/every with respect to Lebesgue measure’. Indeed, for any height profile  $\mathbf{f} \in \mathcal{E}_{\mathbb{Z}}$ , the corresponding scaled profile  $f_N(\xi) = \frac{1}{N} \mathbf{f}(N\xi)$  is  $\mathcal{E}$ -valued (after the prescribed linear interpolation). Endow the  $\mathcal{E}$  with the uniform topology over compact subsets of  $\mathbb{R}$ . More explicitly, writing  $\|f\|_{C[-r, r]} := \sup_{[-r, r]} |f|$  for the uniform norm restricted to  $[-r, r]$ , on  $C(\mathbb{R}) \supset \mathcal{E}$  we define the following metric

$$d_{C(\mathbb{R})}(f^1, f^2) := \sum_{k=1}^{\infty} 2^{-k} (\|f^1 - f^2\|_{C[-k, k]} \wedge 1). \quad (1.10)$$

Having defined the configuration space  $\mathcal{E}$  and its topology, we turn to the path space. To avoid technical sophistication regarding topology, we fix a finite time horizon  $[0, T]$ ,  $T \in (0, \infty)$  hereafter. Adopt the standard notation  $D([0, T], \mathcal{E})$  for the space of right-continuous-with-left-limits paths  $t \mapsto h(t, \cdot) \in \mathcal{E}$ . We define the following path space:

$$\mathcal{D} := \{h \in D([0, T], \mathcal{E}) : h(s, \xi) \leq h(t, \xi), \forall s \leq t \in [0, T], \xi \in \mathbb{R}\}. \quad (1.11)$$

Throughout this article, we endow the space  $\mathcal{D}$  with Skorokhod’s  $J_1$  topology.

We say a function  $h \in \mathcal{D}$  has (first order) derivatives if, for some Borel measurable functions  $h^1, h^2 : [0, T] \times \mathbb{R} \in [0, \infty)$ ,

$$h(t', \xi) - h(t, \xi) = \int_t^{t'} h^1(s, \xi) ds, \text{ for all } t < t' \in [0, T], \text{ for a.e. } \xi \in \mathbb{R}, \quad (1.12)$$

$$h(t, \xi') - h(t, \xi) = \int_{\xi}^{\xi'} h^2(t, \zeta) d\zeta, \quad \text{for all } \xi < \xi' \in \mathbb{R}, \quad \text{for a.e. } t \in [0, T]. \quad (1.13)$$

For a given  $h \in \mathcal{D}$ , if such functions  $h^1, h^2$  exist, they must be unique up to sets of Lebesgue measure zero. We hence let  $h^1$  and  $h^2$  be denoted by  $h_t$  and  $h_{\xi}$ , respectively, and refer to them as *the*  $t$ - and  $\xi$ -derivatives of  $h$ . Set

$$\mathcal{D}_d := \{h \in \mathcal{D} : h \text{ has derivatives in the sense of (1.12)–(1.13)}\}. \quad (1.14)$$

Referring back to (1.9), we see that each  $h \in \mathcal{D}$  *automatically* has  $\xi$ -derivative in the sense of (1.13), so

$$\mathcal{D}_d = \{h \in \mathcal{D} : h \text{ has } t\text{-derivatives in the sense of (1.12)}\}. \quad (1.15)$$

Recall from (1.3) that  $h$  has the interpretation of integrated current of particles. Under such an interpretation,  $h_t \in [0, \infty)$  corresponds to the (instantaneous) flux, and  $h_{\xi} \in [0, 1]$  represents the (local) density of particles.

Next, consider the large deviation rate function of Poisson variables:

$$\psi(\lambda|u) := \lambda \log\left(\frac{\lambda}{u}\right) - (\lambda - u). \quad (1.16)$$

More precisely, recall from [Sep98b, (4.5)] that, for  $X_N \sim \text{Pois}(Nu)$ , we have

$$\lim_{\varepsilon \rightarrow 0} \lim_{N \rightarrow \infty} \frac{1}{N} \log \mathbf{P}(X_N \in (-N\varepsilon + N\lambda, N\lambda + N\varepsilon)) = -\psi(\lambda|u).$$

When  $u = 1$ , we write  $\psi(\lambda) := \psi(\lambda|1)$  to simplify notations. Consider the truncated function  $\bar{\psi}(\lambda) := \psi(\lambda \vee 1) = \psi(\lambda)\mathbf{1}_{\{\lambda \geq 1\}}$ . We define

$$J^{(1)} : [0, \infty) \times [0, 1] \rightarrow [0, \infty], \quad J^{(1)}(\kappa, \rho) := (\rho \wedge (1 - \rho)) \bar{\psi}\left(\frac{\kappa}{\rho \wedge (1 - \rho)}\right), \quad (1.17)$$

$$J^{(2)} : [0, \infty) \times [0, 1] \rightarrow [0, \infty], \quad J^{(2)}(\kappa, \rho) := \rho(1 - \rho) \bar{\psi}\left(\frac{\kappa}{\rho(1 - \rho)}\right), \quad (1.18)$$

under the convention that  $J^i(\kappa, 0) := \lim_{\rho \downarrow 0} J^i(\kappa, \rho)$  and  $J^i(\kappa, 1) := \lim_{\rho \uparrow 1} J^i(\kappa, \rho)$ . More explicitly,  $J^i(\kappa, 0)|_{\kappa > 0} := \infty$ ,  $J^i(\kappa, 1)|_{\kappa > 0} := \infty$  and  $J^i(0, 0) := 0$ ,  $J^i(0, 1) := 0$ . To simplify notations, for processes such as  $h(t, x)$ ,  $h(t, \xi)$ , in the sequel we often write  $h(t) := h(t, \bullet)$ ,  $h(t) := h(t, \bullet)$  for the corresponding fixed-time profiles. Hereafter throughout this article, we fix a macroscopic initial condition  $h^{ic} \in \mathcal{E}$ . Under these notations, we define

$$I^{(1)}(h) := \begin{cases} \int_0^T \int_{\mathbb{R}} J^{(1)}(h_t, h_{\xi}) dt d\xi, & \text{if } h \in \mathcal{D}_d \text{ and } h(0) = h^{ic}, \\ \infty, & \text{if } h \notin \mathcal{D}_d \text{ or } h(0) \neq h^{ic}, \end{cases} \quad (1.19)$$

$$I^{(2)}(h) := \begin{cases} \int_0^T \int_{\mathbb{R}} J^{(2)}(h_t, h_{\xi}) dt d\xi, & \text{if } h \in \mathcal{D}_d \text{ and } h(0) = h^{ic}, \\ \infty, & \text{if } h \notin \mathcal{D}_d \text{ or } h(0) \neq h^{ic}. \end{cases} \quad (1.20)$$

With the macroscopic initial condition  $h^{ic}$  fixed as in the preceding, we fix further a *deterministic* microscopic initial condition  $h^{ic} \in \mathcal{E}_{\mathbb{Z}}$  of the TASEP such that, with  $h_N^{ic}(\frac{x}{N}) := \frac{1}{N} h^{ic}(x)$  (and linearly interpolated onto  $\mathbb{R}$ ),

$$\lim_{N \rightarrow \infty} d_{C(\mathbb{R})}(h_N^{ic}, h^{ic}) = 0. \quad (1.21)$$

**Remark 1.2.** We allow  $h^{ic}$  to depend on  $N$  as long as (1.21) holds, but *omit* such a dependence in the notation. This is to avoid confusion with subscripts in  $N$ , such as  $h_N^{ic}$ , which denote scaled processes.

With the initial condition  $h^{ic} \in \mathcal{E}_{\mathbb{Z}}$  being fixed, throughout this article we let  $h(t, x)$  and  $h_N(t, \xi) = \frac{1}{N} h(Nt, N\xi)$  denote the micro- and macroscopic height processes starting from  $h^{ic}$ , and write  $\mathbf{P}_N$  for the law of the TASEP. The following is our main result:

**Theorem 1.3.** *Let  $h^{ic} \in \mathcal{D}$  and  $h_N$  be given as in the preceding.*

(a) *For any given closed  $\mathcal{C} \subset \mathcal{D}$ ,*

$$\limsup_{N \rightarrow \infty} \frac{1}{N^2} \log \mathbf{P}_N(h_N \in \mathcal{C}) \leq - \inf_{h \in \mathcal{C}} I^{(1)}(h). \quad (1.22)$$

(b) For any given open  $\mathcal{O} \subset \mathcal{D}$ , we have

$$\liminf_{N \rightarrow \infty} \frac{1}{N^2} \log \mathbf{P}_N(\mathbf{h}_N \in \mathcal{O}) \geq - \inf_{h \in \mathcal{O}} I^{(2)}(h). \quad (1.23)$$

**1.2. A heuristic of Theorem 1.3(b).** Here we give a heuristic of Theorem 1.3(b). As mentioned previously, the TASEP is a degeneration of the stochastic 6VM. The latter, as a tiling model, enjoys the Gibbs conditioning property. That is, given a subset  $\mathcal{A} \subset \mathbb{Z}^2$ , conditioned on the tiles along the boundary of  $\mathcal{A}$ , the tiling within  $\mathcal{A}$  is independent of the tiling outside of  $\mathcal{A}$ . Such a property strongly suggests a rate function of the form  $I(h) = \int J dt d\xi$ . The TASEP, being a degeneration of the stochastic 6VM, should also possess this form of rate function. Since the TASEP is invariant under height shift  $\mathbf{h} \mapsto \mathbf{h} + \alpha$ , it is reasonable to expect that the rate density  $J$  depends on  $h$  only through its derivatives at a given location  $(t, \xi)$ . Furthermore, as the rate density is a local quantity, we anticipate that, among all the derivatives, only the leading orders  $h_t, h_\xi$  contribute to  $J$ . To summarize, we expect the rate function to be of the form

$$I(h) = \int_0^T \int_{\mathbb{R}} J(h_t, h_\xi) dt d\xi.$$

Next, consider a linear deviation  $h^*(t, \xi) = \alpha + \kappa t + \rho \xi$ , and consider all possible probability laws  $\mathbf{Q}_N$  on  $\mathcal{D}$  such that, under  $\mathbf{Q}_N$ , the resulting process  $\mathbf{h}_N$  approximates  $h^*$ . The rate  $I(h^*)$  should then be the infimum of the relative entropy  $\frac{1}{N^2} H(\mathbf{Q}_N | \mathbf{P}_N)$  among all such  $\mathbf{Q}_N$ . Put it differently, we seek the most entropy-cost-effective fashion of perturbing the law of the TASEP, under the constraint that the resulting process  $\mathbf{h}_N$  approximates  $h^*$ .

Let  $\lambda := \frac{\kappa}{\rho(1-\rho)}$ . The linear function  $h^*$  is an entropy solution of the equation  $h_t^* = \lambda h_\xi^*(1 - h_\xi^*)$ . This is the Burgers equation (1.6) with a time-rescaling  $h(t, \xi) \mapsto h(\lambda t, \xi)$ . In view of the aforementioned hydrodynamic limit result of the TASEP, One possible candidate of  $\mathbf{Q}_N^\lambda$ , is to change the underlying Poisson clocks to have rate  $\lambda$  instead of unity. Equivalently,  $\mathbf{Q}_N^\lambda$  is obtained by rescaling entire process  $\mathbf{h}(t) \mapsto \mathbf{h}(\lambda t)$  by a factor  $\lambda$ . This being the case,  $\mathbf{h}_N$  necessarily converges to  $h^*$  under  $\mathbf{Q}_N^\lambda$ . We next calculate the cost of  $\mathbf{Q}_N^\lambda$ . Recall the definition of the mobility function  $\phi(f, x)$  from (1.4). Roughly speaking, the cost per site  $x \in \mathbb{Z}$  per unit amount of time is  $\psi(\lambda)\phi(\mathbf{h}(Nt), x)dt$ . This is accounted by the rate  $\psi(\lambda)$  of perturbing each Poisson clock, modulated by the mobility function  $\phi(\mathbf{h}(Nt), x)$ , since disallowed jumps are irrelevant. Since, under  $\mathbf{Q}_N^\lambda$ , we expect  $\mathbf{h}_N$  to approximate the targeted function  $h^*$ , referring back to the expression (1.4), we *informally* approximate  $\phi(\mathbf{h}(Nt), x)$  by  $(1 - h_\xi^*)h_\xi^*$ . Such an informal calculation gives

$$\frac{1}{N^2} H(\mathbf{Q}_N^\lambda | \mathbf{P}_N) \approx \int \int \widehat{J^{(2)}}(\kappa, \rho) dt d\xi, \quad \widehat{J^{(2)}}(\kappa, \rho) := h_\xi^*(1 - h_\xi^*)\psi(\lambda) = \rho(1 - \rho)\psi\left(\frac{\kappa}{\rho(1-\rho)}\right).$$

Of course, the last integral is infinite, but our discussion here focuses on the density  $\widehat{J^{(2)}}(\kappa, \rho)$ .

The aforementioned  $\mathbf{Q}_N^\lambda$  being a candidate for the law  $\mathbf{Q}_N$ , we must have  $J(\kappa, \rho) \leq \widehat{J^{(2)}}(\kappa, \rho)$ . As it turns out, for  $\lambda < 1$ , we can devise another choice of law such that the cost is *zero*. To see this, consider an axillary parameter  $\delta \downarrow 0$ . Our goal is to maintain a constant flux  $\kappa$ , *lower* than the hydrodynamic value  $\rho(1 - \rho)$ , together with the constant density  $\rho$ , in the most cost-effective fashion. Instead of slowing down the Poisson clocks uniformly by  $\lambda$ , let us slow down only in windows  $\mathcal{W}_i$  of macroscopic width  $\delta^2$ , every distance  $\delta(1 - \delta)$  apart; see Figure 2. We refer to this as the ‘intermittent construction’. Even though slow-down is only

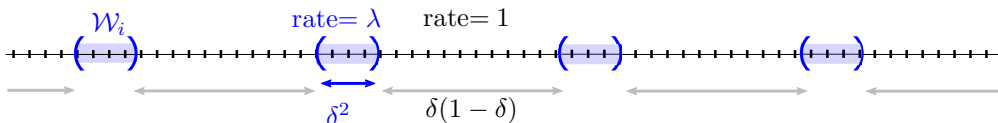


FIGURE 2. The Intermittent construction. The ticks represent the scaled lattice  $\frac{1}{N}(\frac{1}{2} + \mathbb{Z})$  where particles reside.

enforced on the  $\mathcal{W}_i$ 's, since particles cannot jump ahead of each other, this construction achieves an overall constant flux  $\kappa$  through *blocking*. More explicitly, it is conceivable that, under the intermittent construction, particles exhibit the macroscopic stationary density profile as depicted in Figure 3. In between the windows  $\mathcal{W}_i$ , the density takes two values  $\rho_1, \rho_2$ , with  $\rho_1 > \rho > \rho_2$ , as a result of blocking. Even though the density

varies among the values  $\rho, \rho_1, \rho_2$ , referring to Figure 3, we see that as  $\delta \downarrow 0$  the density profile converges to  $\rho$  in an average sense. As for the cost, since the region  $\{\mathcal{W}_i\}_i$  has fraction  $\delta$ , as  $\delta \downarrow 0$  the cost in entropy per unit length (in  $\xi \in \mathbb{R}$ ) goes to zero. This suggests that the intermittent construction gives approximately zero cost for  $\lambda < 1$ .

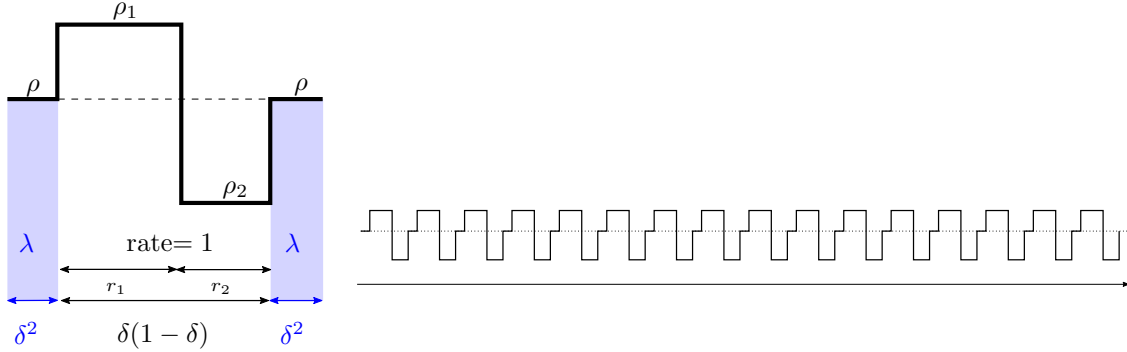


FIGURE 3. Expected macroscopic density under the intermittent construction. Here  $\rho_1 > \rho_2 \in [0, 1]$  are the unique solutions of the equation  $\rho_i(1 - \rho_i) = \kappa$ , and  $r_1, r_2$  are such that  $r_1 + r_2 = \delta(1 - \delta)$ ,  $r_1\rho_1 + r_2\rho_2 = (r_1 + r_2)\rho$ .

Combining the preceding discussions for the cases  $\lambda \geq 1$  and  $\lambda < 1$ , we have then

$$J(\kappa, \rho) \leq \begin{cases} (1 - \rho)\rho\psi\left(\frac{\kappa}{\rho(1-\rho)}\right), & \text{if } \lambda \geq 1 \\ 0, & \text{if } \lambda < 1 \end{cases} = (1 - \rho)\rho\bar{\psi}\left(\frac{\kappa}{\rho(1-\rho)}\right) = J^{(2)}(\kappa, \rho).$$

This heuristic gives an upper bound  $J^2$  on  $J$ . On the other hand, for the lower bound, we are only able to prove  $J^1 \leq J$ , obtained by bounding the mobility by  $\rho \wedge (1 - \rho)$ . The bounds  $J^1, J^2$  do not match, and finding the actual rate function remains an open question.

It follows from our result that large deviations that are subsolutions of Burgers equation, i.e.  $h_t \leq \Phi^{(2)}(h_\xi)$ , have probability larger than  $e^{-cN^2}$ . On the other hand, by the Jensen-Varadhan large deviation result [Var04], they are smaller than  $e^{-cN}$ . It remains an open problem to determine the order on these subsolution as well as other intermediate deviations. In this direction in appendix A we investigate large deviations in a finer topology that track the oscillations of  $h_\xi$  through Young measures, in the spirit of [Mar10].

**Acknowledgements.** SO thanks Lorenzo Bertini, Bernard Derrida and S. R. Srinivasa Varadhan for useful discussions. LCT thanks Ivan Corwin, Amir Dembo, Fraydoun Rezakhanlou, Timo Seppäläinen and S. R. Srinivasa Varadhan for useful discussions.

SO's research is supported by ANR-15-CE40-0020-01 grant LSD. LCT's research was partially supported by a Junior Fellow award from the Simons Foundation, and by the NSF through DMS-1712575.

**Outline.** In Section 2 we establish some useful properties of the functions  $I^i$  and  $J^i$ . The lower semi-continuity is not used in the rest of the article, but we include it as a useful property for future reference. In Section 3, we prove Theorem 1.3(a) and (b) assuming Propositions 3.4 and 3.5, respectively. These propositions concern bounds on relative entropies. We settle Proposition 3.4 in Section 4, and then devote the rest of the article, Sections 5–7, to showing Proposition 3.5.

**Convention.** Throughout this article,  $x, i, j, k, \ell, m, n \in \mathbb{Z}$  (and similarly for  $x_1, i'$ , etc.) denote integers, and  $\xi, \zeta \in \mathbb{R}$  denote real numbers. The letters  $s, t$  always denote time variables, with either  $s, t \in [0, T]$  or  $[0, NT]$ ; We use  $\mathbf{h}, \mathbf{g}$ , etc, to denote un-scaled, TASEP height processes, with  $\mathbf{h}_N, \mathbf{g}_N$  being the corresponding scaled processes. The same convention applies also for the initial conditions  $\mathbf{h}^{\text{ic}}, \mathbf{g}^{\text{ic}}, \mathbf{h}_N^{\text{ic}}, \mathbf{g}_N^{\text{ic}}$  of these processes.

## 2. PROPERTIES OF FUNCTIONS $I^i$ AND $J^i$

Recall that  $\bar{\psi}(\lambda) := \bar{\psi}(1 \wedge \lambda)$  denote the truncated rate function for Poisson variables. Under this convention, we still have that  $\lambda \mapsto \bar{\psi}(\lambda)$  is convex, and that  $\bar{\psi}'(\lambda) = \log(\lambda \vee 1)$ .



The functions  $J^{(1)}, J^{(2)}$ , defined in (1.17)–(1.18), take infinite value at  $\rho = 0, 1$ . This property posts undesirable technical issues for our analysis, and hence we consider the following truncations. Let  $\Phi^{(1)}(\rho) := \rho \wedge (1 - \rho)$  and  $\Phi^{(2)}(\rho) := \rho(1 - \rho)$ . For small  $a \in (0, \frac{1}{2})$ , define the following truncations

$$\Phi_a^{(1)}(\rho) := (1 - a^2)\Phi^{(1)}(\rho) + a^2, \quad (2.1)$$

$$\Phi_a^{(2)}(\rho) := \begin{cases} \rho(1 - \rho) & , \text{ when } \rho \in [a, 1 - a], \\ a(1 - a) + (1 - 2a)(\rho - a) & , \text{ when } \rho \in [0, a], \\ a(1 - a) + (2a - 1)(\rho - (1 - a)) & , \text{ when } \rho \in (1 - a, 1]. \end{cases} \quad (2.2)$$

From this construction, it is clear that  $\Phi_a^i \geq \Phi^i$ ,  $\Phi_a^i \geq a^2 > 0$  and that  $\rho \mapsto \Phi_a^i(\rho)$  is concave. We then define

$$J_a^{(1)}(\kappa, \rho) := \Phi_a^{(1)}(\rho) \bar{\psi}\left(\frac{\kappa}{\Phi_a^{(1)}(\rho)}\right), \quad (2.3)$$

$$J_a^{(2)}(\kappa, \rho) := \Phi_a^{(2)}(\rho) \bar{\psi}\left(\frac{\kappa}{\Phi_a^{(2)}(\rho)}\right). \quad (2.4)$$

A straightforward differentiation  $\frac{d}{d\xi}(\xi \bar{\psi}(\frac{\kappa}{\xi})) = -(\frac{\kappa}{\xi} - 1)_+ \leq 0$  shows that

$$\xi \mapsto \xi \bar{\psi}\left(\frac{\kappa}{\xi}\right) \text{ is nonincreasing, } \forall \text{ fixed } \kappa \in [0, \infty). \quad (2.5)$$

so in particular  $J_a^{(1)}(\kappa, \rho) \leq a^2 \bar{\psi}(\kappa a^{-2}) < \infty$ .

**Lemma 2.1.** *The functions  $J^i : [0, \infty) \times [0, 1] \rightarrow [0, \infty]$  and  $J_a^i : [0, \infty) \times [0, 1] \rightarrow [0, \infty)$  are convex, for  $i = 1, 2$ .*

*Proof.* It is straightforward to verify that

$$J^i(\kappa, \rho) = \sup_{\alpha \geq 0} \{\kappa \alpha - \Phi^i(\rho)(e^\alpha - 1)\}, \quad J_a^i(\kappa, \rho) = \sup_{\alpha \geq 0} \{\kappa \alpha - \Phi_a^i(\rho)(e^\alpha - 1)\}.$$

Using these expressions and the concavity of  $\rho \mapsto \Phi^i(\rho)$  and  $\rho \mapsto \Phi_a^i(\rho)$  gives the desired result.  $\square$

We next establish a few technical results. To setup notations, let  $\{\sigma_i^n := \frac{iT}{2^n}\}_{i=0}^{2^n}$  be an equally spaced partition of  $[0, T]$ , dyadic in  $n$ . Define, for  $h \in \mathcal{D}$ , the following quantities

$$\tilde{I}_n(h, \xi) := \sum_{i=1}^{2^n} \frac{T}{2^n} \bar{\psi}\left(\frac{h(\sigma_i^n, \xi) - h(\sigma_{i-1}^n, \xi)}{\sigma_i^n - \sigma_{i-1}^n}\right), \quad (2.6)$$

$$\tilde{I}(h) := \sup_n \int_{\mathbb{R}} \tilde{I}_n(h, \xi) d\xi. \quad (2.7)$$

**Lemma 2.2.** *For any  $h \in \mathcal{D}$ , if  $\tilde{I}(h) < \infty$  then  $h \in \mathcal{D}_a$ .*

*Proof.* Recall that, we say a function  $f : [0, T] \rightarrow \mathbb{R}$  is absolutely continuous if, for any given  $\varepsilon > 0$ , there exists  $\delta > 0$  such that for any finite sequence of pairwise disjoint subintervals  $\{[s_0, t_0], [s_1, t_1], \dots, [s_n, t_n]\}$  of  $[0, T]$  with  $\sum_i (t_i - s_i) \leq \delta$ , we always have  $\sum_{i=1}^n |f(t_i) - f(s_i)| \leq \varepsilon$ . Recall from (1.15) that, to show  $h \in \mathcal{D}_a$ , it suffices to show the existence of  $t$ -derivate of  $h$ , in the sense of (1.12). This, by standard theory of real analysis, is equivalent to showing

$$t \mapsto h(t, \xi) \text{ is absolutely continuous, for a.e. } \xi \in \mathbb{R}. \quad (2.8)$$

With  $\tilde{I}_n(h, \xi)$  defined in (2.7), by the convexity of  $\lambda \mapsto \bar{\psi}(\lambda)$ , we have that

$$\tilde{I}_n(h, \xi) \leq \tilde{I}_m(h, \xi), \quad \forall n < m. \quad (2.9)$$

Fix an arbitrary radius  $r < \infty$ . Alongside with the partition  $\{\sigma_i^n\}_{i=0}^{2^n}$  of time, we consider also the equally spaced, dyadic partition  $\{\xi_j^n := \frac{jr}{2^n}\}_{j=-2^n}^{2^n}$  of  $[-r, r]$ . Let  $U_j^n := [\xi_{j-1}^n, \xi_j^n]$ ,  $j = -2^n, \dots, 2^n - 1$ , denote the intervals associated with the partition. Fixing arbitrary  $0 < \varepsilon < 1$ , we inductively construct sets  $\mathcal{U}(n) \subset [-r, r]$  as follows. Set  $\mathcal{U}(0) = \emptyset$ , and, for  $n \geq 1$ , let

$$\mathcal{U}(n) := \bigcup \left\{ U_j^n : \sup_{\xi \in U_j^n \setminus \mathcal{U}(n-1)} \tilde{I}_n(h, \xi) \geq \varepsilon^{-1} \right\} \quad (2.10)$$



denote the union of intervals  $U_j^n$  on which the function  $\tilde{I}_n(h, \xi)$  exceeds the threshold  $\varepsilon^{-1}$ , *excluding* those points from the previous iteration  $\mathcal{U}(n-1)$ . Since  $h(t) \in \mathcal{E}$ , we have that  $|h(t, \xi_1) - h(t, \xi_2)| \leq |\xi_1 - \xi_2| \leq r2^{-n}$ , for all  $\xi_1, \xi_2 \in U_j^n$ . This gives

$$\left| \frac{h(\sigma_i^n, \xi_1) - h(\sigma_{i-1}^n, \xi_1)}{\sigma_i^n - \sigma_{i-1}^n} - \frac{h(\sigma_i^n, \xi_2) - h(\sigma_{i-1}^n, \xi_2)}{\sigma_i^n - \sigma_{i-1}^n} \right| \leq \frac{r2^{-n+1}}{\sigma_i^n - \sigma_{i-1}^n} = \frac{2r}{T}, \quad \forall \xi_1, \xi_2 \in U_j^n. \quad (2.11)$$

That is, the argument of  $\bar{\psi}(\cdot)$  in (2.6) differs by at most  $\frac{2r}{T}$  as  $\xi$  varies among  $U_j^n$ . With  $\bar{\psi}'(\lambda) = \log(\lambda \vee 1)$ , it is straightforward to verify that, for all  $\lambda_1 < \lambda_2 \in [0, \infty)$  with  $|\lambda_2 - \lambda_1| \leq \frac{2r}{T}$ , we have

$$|\bar{\psi}(\lambda_2) - \bar{\psi}(\lambda_1)| \leq \frac{2r}{T} \log((\lambda_1 \wedge \lambda_2 + \frac{2r}{T}) \vee 1) \leq c(\bar{\psi}(\lambda_1) \wedge \bar{\psi}(\lambda_2) + 1),$$

for some constant  $c < \infty$  depending only on  $\frac{2r}{T}$ . In particular, for such  $\lambda_1, \lambda_2$ , the maximal and minimal of  $\bar{\psi}(\lambda_1)$  and  $\bar{\psi}(\lambda_2)$  are comparable in the following sense:

$$\bar{\psi}(\lambda_1) \vee \bar{\psi}(\lambda_2) \leq (c+1)(\bar{\psi}(\lambda_1) \wedge \bar{\psi}(\lambda_2)) + c. \quad (2.12)$$

In view of (2.11), we apply (2.12) with  $\lambda_i = \frac{h(\sigma_i^n, \xi_1) - h(\sigma_{i-1}^n, \xi_1)}{\sigma_i^n - \sigma_{i-1}^n}$ , for all  $\xi_1, \xi_2 \in U_j^n$ , to obtain

$$\inf_{\xi \in U_j^n} \tilde{I}_n(h, \xi) \geq \frac{1}{c+1} \left( \sup_{\xi \in U_j^n} \tilde{I}_n(h, \xi) \right) - 1 \geq \frac{\varepsilon^{-1}}{c+1} - 1, \quad \forall U_j^n \subset \mathcal{U}(n). \quad (2.13)$$

Sum the inequality (2.13) over all  $U_j^n \subset \mathcal{U}(n)$ , and multiply both sides by  $|\mathcal{U}(n)|$ . We then obtain  $\int_{\mathcal{U}(n)} \tilde{I}_n(h, \xi) d\xi \geq (\frac{\varepsilon^{-1}}{c+1} - 1)|\mathcal{U}(n)|$ . From this and (2.9), we further deduce

$$\left( \frac{\varepsilon^{-1}}{c+1} - 1 \right) |\mathcal{U}(n)| \leq \int_{\mathcal{U}(n)} \tilde{I}_n(h, \xi) d\xi \leq \int_{\mathcal{U}(n)} \tilde{I}_m(\xi) d\xi, \quad \forall n \leq m. \quad (2.14)$$

Referring back to (2.10), the sets  $\mathcal{U}(1), \mathcal{U}(2), \dots$  are disjoint. Under this property, we let  $\mathcal{F}(m) := \cup_{n=1}^m \mathcal{U}(n)$  denote the union of the first  $m$  sets, and sum (2.14) over  $n = 1, \dots, m$  to obtain

$$\left( \frac{\varepsilon^{-1}}{c+1} - 1 \right) |\mathcal{F}(m)| \leq \int_{\mathcal{F}(m)} \tilde{I}_m(\xi) d\xi \leq \tilde{I}(h). \quad (2.15)$$

Set  $\mathcal{F}_* := \cup_{n=1}^{\infty} \mathcal{U}(n)$ . Letting  $m \rightarrow \infty$  in (2.15) gives  $|\mathcal{F}_*| \leq \tilde{I}(h)(\frac{\varepsilon^{-1}}{c+1} - 1)$ . Now, with  $\mathcal{F}_* \supset \{\xi \in [r, -r) : \sup_n \tilde{I}_n(h, \xi) \geq \varepsilon^{-1}\}$ , further letting  $\varepsilon \downarrow 0$ , we arrive at

$$\left| \left\{ \xi \in [r, -r) : \sup_n \tilde{I}_n(h, \xi) = \infty \right\} \right| = 0. \quad (2.16)$$

With the properties  $\bar{\psi} \geq 0$  and  $\lim_{\lambda \rightarrow \infty} \frac{\bar{\psi}(\lambda)}{\lambda} = \infty$ , it is standard to show that  $\sup_n \tilde{I}_n(h, \xi) < \infty$  implies the absolute continuity of  $t \mapsto h(t, \xi)$ . This together with (2.16) shows that  $t \mapsto h(t, \xi)$  is absolutely continuous for a.e.  $\xi \in [-r, r)$ . As  $r < \infty$  is arbitrary, taking a sequence  $r_n \uparrow \infty$  concludes the desired result (2.8).  $\square$

**Lemma 2.3.** *For all  $h \in \mathcal{D}$ , we have  $\tilde{I}(h) \leq I^j(h)$ ,  $j = 1, 2$ .*

*Proof.* Assume without loss of generality  $h \in \mathcal{D}_d$  and  $h(0) = h^{ic}$ , otherwise  $\tilde{I}(h) = \infty$ . Since  $\Phi^j(\rho) \leq 1$  for all  $\rho \in [0, 1]$ , by (2.5),

$$I^j(h_t, h_\xi) = \Phi^j(h_\xi) \bar{\psi}\left(\frac{h_t}{\Phi^j(h_\xi)}\right) \geq \xi \bar{\psi}\left(\frac{h_t}{\xi}\right) \Big|_{\xi=1} = \bar{\psi}(h_t). \quad (2.17)$$

Integrating this inequality over  $[0, T] \times \mathbb{R}$  gives

$$\int_{\mathbb{R}} \left( \int_0^T \bar{\psi}(h_t) dt \right) d\xi \leq I^j(h). \quad (2.18)$$

By the convexity of  $\lambda \mapsto \bar{\psi}(\lambda)$ , we have that

$$\frac{T}{2^n} \bar{\psi}\left(\frac{h(\sigma_i^n, \xi) - h(\sigma_{i-1}^n, \xi)}{\sigma_i^n - \sigma_{i-1}^n}\right) \leq \int_{\sigma_{i-1}^n}^{\sigma_i^n} \bar{\psi}(h_t(t, \xi)) dt. \quad (2.19)$$

Summing the inequality (2.19) over  $i = 1, \dots, 2^n$ , gives  $\widetilde{I}_n(h, \xi) \leq \int_0^T \overline{\psi}(h_t) dt$ . Integrate this inequality over  $\xi \in \mathbb{R}$ , combine the result with (2.18), and take the supremum over  $n$ . We thus conclude the desired result  $\widetilde{I}(h) := \sup_n \int_{\mathbb{R}} \widetilde{I}_n(h, \xi) d\xi \leq I^j(h)$ .  $\square$

The next result concerns local approximation of the derivatives  $h_t, h_\xi$  of a given deviation  $h \in \mathcal{D}_d$ . To setup the notations, for given  $r < \infty$  and  $\ell < \infty$ , we consider a partition

$$R_\ell(r) := \left\{ \square = \left[ \frac{(i-1)T}{\ell}, \frac{iT}{\ell} \right] \times \left[ \frac{(j-1)r}{\ell}, \frac{jr}{\ell} \right] : i = 1, \dots, \ell, j = -\ell + 1, \dots, \ell \right\} \quad (2.20)$$

of  $[0, T] \times [-r, r]$  into equal rectangles. Write  $f_A f dt d\xi := \frac{1}{|A|} \int_A f dt d\xi$  for the average over a set  $A$ .

**Lemma 2.4.** *For any fixed  $h \in \mathcal{D}_d$ , we have that*

$$\limsup_{(r,a) \rightarrow (\infty, 0)} \limsup_{\ell \rightarrow \infty} \left\{ \sum_{\square \in R_\ell(r)} |\square| J_a^{(1)} \left( f_\square h_t dt d\xi, f_\square h_\xi dt d\xi \right) \right\} \geq \int_0^T \int_{\mathbb{R}} J^{(1)}(h_t, h_\xi) dt d\xi. \quad (2.21)$$

*Proof.* Fix arbitrary  $\kappa_*, r < \infty, a > 0$  and  $\varepsilon > 0$ . Recall the definition of the truncated rate density  $J_a^{(1)}$  from (2.3). We begin by proving the following statement: there exists  $\ell_* < \infty$  such that, for all  $\ell \geq \ell_*$ ,

$$\left| \bigcup \{ \square \in R_\ell(r) : E_\square(h) \geq \varepsilon \} \right| \leq \varepsilon, \quad (2.22)$$

$$\text{where } E_\square(h) := \left| J_a^{(1)} \left( \kappa_* \wedge f_\square h_t dt d\xi, f_\square h_\xi dt d\xi \right) - \int_\square J_a^{(1)}(\kappa_* \wedge h_t, h_\xi) dt d\xi \right|. \quad (2.23)$$

Given that  $J_a^{(1)}(\kappa_* \wedge \cdot, \cdot)$  is bounded and Borel-measurable, the statement (2.22) follows from standard real analysis, similarly to the proof of [CKP01, Lemma 2.2]. We given a formal proof here for the sake of completeness. In addition to  $\ell_*$ , we consider an axillary parameter  $\ell_{**}$ . Both  $\ell_*$  and  $\ell_{**}$  will be specified in the sequel. Write  $h_t \wedge \kappa_* =: h_t^{\kappa_*}$  to simplify notations. Regard the pair of derivatives  $F := (h_t^{\kappa_*}, h_\xi)$  as a measurable map  $F : [0, T] \times [-r, r] \rightarrow [0, \kappa_*] \times [0, 1]$ . Partition the range  $[0, \kappa_*] \times [0, 1]$  of  $F$  into subsets  $U_1, \dots, U_n$ , each of diameter at most  $\frac{1}{\ell_{**}}$ . We let  $V_i := F^{-1}(U_i)$  be the preimage of  $U_i$ . With  $B_b(t, \xi) \subset \mathbb{R}^2$  denoting the ball of radius  $b$  centered at  $(t, \xi)$ , by the theory of measure density (see, e.g., [Rud87, Section 7.12]), we have that

$$\lim_{b \downarrow 0} \frac{|B_b(t, \xi) \cap V_i|}{|B_b(t, \xi)|} = 1 \text{ for a.e. } (t, \xi) \in V_i, \quad i = 1, \dots, n.$$

This being the case, there exists a compact set  $K_i \subset V_i$ , with  $|K_i| \geq |V_i| - \frac{1}{2\ell_{**}}$ , such that

$$\lim_{b \downarrow 0} \frac{|B_b(t, \xi) \cap V_i|}{|B_a(t, \xi)|} = 1 \quad \text{for every } (t, \xi) \in K_i.$$

From this and the compactness of  $K_i$ , we further constructed a finite union of open balls  $O_i \supset K_i$ , such that

$$|O_i| \geq |K_i| - \frac{1}{2\ell_{**}} \geq |V_i| - \frac{1}{\ell_{**}}. \quad (2.24)$$

Now, for a fix  $O_i$ , we classify rectangles  $\square \in R_\ell(r)$  that intersects with  $O_i$  (i.e.,  $\square \cap O_i \neq \emptyset$ ) into three types:

- Desired rectangles:  $\square \subset O_i$  with  $|\square \cap V_i| \geq (1 - \frac{1}{\ell_{**}})|\square|$ ;
- Undesired rectangles:  $\square \subset O_i$  with  $|\square \cap V_i| < (1 - \frac{1}{\ell_{**}})|\square|$ ;
- Boundary rectangles:  $\square \cap O_i \neq \emptyset$  and  $\square \cap O_i^c \neq \emptyset$ .

Let  $\mathcal{A}_{\text{des}}^i, \mathcal{A}_{\text{und}}^i$  and  $\mathcal{A}_{\text{bdy}}^i$  denote the respective sets of desired, undesired, and boundary rectangles with respect to  $O_i$ , and let  $A_{\text{des}}^i, A_{\text{und}}^i$  and  $A_{\text{bdy}}^i$  denote the areas (i.e., Lebesgue measure) of the union of rectangles in  $\mathcal{A}_{\text{des}}^i, \mathcal{A}_{\text{und}}^i$  and  $\mathcal{A}_{\text{bdy}}^i$ , respectively. First, for each of the desired rectangle  $\square \in \mathcal{A}_{\text{des}}^i$ ,

$$|V_i \cap \square| \geq (1 - \frac{1}{\ell_{**}})|\square|, \quad (2.25)$$

$$|h_t^{\kappa_*}(t, \xi) - h_t^{\kappa_*}(t', \xi')|, |h_\xi(t, \xi) - h_\xi(t', \xi')| \leq \frac{1}{\ell_{**}}, \quad \forall (t, \xi), (t', \xi') \in V_i \cap \square. \quad (2.26)$$

Recall the definition of  $E_\square(h)$  from (2.23). Since  $h_t^{\kappa_*}$  and  $h_\xi$  are bounded, and since  $(\kappa, \rho) \mapsto J_a^{(1)}(\kappa, \rho)$  is continuous, for some large enough  $\ell_{**} \in \mathbb{N}$ , the condition (2.25)–(2.26) implies

$$E_\square(h) \leq \varepsilon, \quad \forall \square \in \bigcup_{i=1}^n \mathcal{A}_{\text{des}}^i. \quad (2.27)$$

Next, since each  $O_i$  is finite union of open balls, and since the rectangles  $\square \in R_\ell(r)$  in  $R_\ell(r)$  shrinks uniformly as  $\ell \rightarrow \infty$ , there exists  $\ell_* \in \mathbb{Z} \cap [3n\ell_{**}, \infty)$  such that

$$\sum_{i=1}^n A_{\text{bdy}}^i \leq \frac{\varepsilon}{3\ell_{**}}, \quad \forall \ell \geq \ell_*. \quad (2.28)$$

Moving onto undesirable rectangles. From the preceding definition of undesirable rectangles, we have  $A_{\text{und}}^i(1 - \frac{1}{\ell_{**}}) + A_{\text{des}}^i + A_{\text{bdy}}^i \geq |V_i|$ . Combining this with (2.24) gives

$$A_{\text{und}}^i(1 - \frac{1}{\ell_{**}}) + A_{\text{des}}^i + A_{\text{bdy}}^i \geq |O_i| - \frac{1}{\ell_*} \geq (A_{\text{und}}^i + A_{\text{des}}^i) - \frac{1}{\ell_*}. \quad (2.29)$$

Rearrange terms in (2.29) and sum over  $i$  to obtain

$$\sum_{i=1}^n A_{\text{und}}^i \leq \sum_{i=1}^n \ell_{**} \left( \frac{1}{\ell_*} + A_{\text{bdy}}^i \right) \leq \frac{n\ell_*}{\ell_{**}} + \frac{\varepsilon}{3} \leq \frac{2\varepsilon}{3}. \quad (2.30)$$

Combining (2.27)–(2.28) and (2.30), we conclude (2.22).

Having established (2.22), we now let  $\ell \rightarrow \infty$  in (2.22) to get

$$\limsup_{\ell \rightarrow \infty} \left| \sum_{\square \in R_\ell(r)} |\square| J_a^{(1)}(\kappa_* \wedge f_\square h_t dtd\xi, f_\square h_\xi dtd\xi) - \int_0^T \int_{-r}^r J_a^{(1)}(\kappa_* \wedge h_t, h_\xi) dtd\xi \right| \leq 2rT\varepsilon + \|J_a^{(1)}(\kappa_* \wedge \cdot, \cdot)\|_\infty \varepsilon.$$

As  $\varepsilon > 0$  is arbitrary, further letting  $\varepsilon \downarrow 0$  gives

$$\lim_{\ell \rightarrow \infty} \left\{ \sum_{\square \in R_\ell(r)} |\square| J_a^{(1)}(\kappa_* \wedge f_\square h_t dtd\xi, f_\square h_\xi dtd\xi) \right\} = \int_0^T \int_{-r}^r J_a^{(1)}(\kappa_* \wedge h_t, h_\xi) dtd\xi. \quad (2.31)$$

Indeed,  $J_a^{(1)}(h_t \wedge \kappa_*, h_\xi)$  increases as  $\kappa_*$  increases. We then remove  $\kappa_* \wedge \cdot$  on the l.h.s. of (2.31) to make the resulting quantity larger, and let  $\kappa_* \rightarrow \infty$  using the monotone convergence theorem on the r.h.s. This gives

$$\limsup_{\ell \rightarrow \infty} \left\{ \sum_{\square \in R_\ell(r)} |\square| J_a^{(1)}(f_\square h_t dtd\xi, f_\square h_\xi dtd\xi) \right\} \geq \int_0^T \int_{-r}^r J_a^{(1)}(h_t, h_\xi) dtd\xi.$$

Further letting  $(r, a) \rightarrow (\infty, 0)$ , using the monotone convergence theorem on the r.h.s. ( $J_a^{(1)}$  increases as  $a$  decrease), we conclude the desired result (2.21).  $\square$

### 3. PROOF OF THEOREM 1.3

**3.1. Upper bound.** We begin by establishing the exponential tightness of  $\mathbf{P}_N$ . To this end, consider, for  $h \in \mathcal{D}$ ,  $n, r < \infty$ , the following modulo of continuity

$$w'(h, n, r) := \sup_{i=1, \dots, n} \|h(\frac{iT}{n}) - h(\frac{(i-1)T}{n})\|_{C[-r, r]}. \quad (3.1)$$

Note that for  $h \in \mathcal{D}$ , we have  $h(\frac{iT}{n}, \xi) - h(\frac{(i-1)T}{n}, \xi) = |h(\frac{iT}{n}, \xi) - h(\frac{(i-1)T}{n}, \xi)|$ . The main step of showing exponential tightness is the following.

**Lemma 3.1.** *For each fixed  $\varepsilon > 0$  and  $r < \infty$ , we have that*

$$\limsup_{n \rightarrow \infty} \limsup_{N \rightarrow \infty} \frac{1}{N^2} \log \mathbf{P}_N(w'(h_N, n, r) \geq \varepsilon) = -\infty. \quad (3.2)$$

*Proof.* Write  $t_i := \frac{iT}{n}$  to simplify notations. Our goal is to bound the following probability:

$$p_N := \mathbf{P}_N \left( \bigcup_{i=1}^n \bigcup_{\frac{x}{N} \in [-r, r]} \left\{ h_N(t_i, \frac{x}{N}) - h_N(t_{i-1}, \frac{x}{N}) \geq \varepsilon \right\} \right). \quad (3.3)$$

Let  $m := \lceil \frac{4r}{\varepsilon} \rceil$  and partition  $[-r, r]$  into subintervals  $U_j := [\frac{r(j-1)}{m}, \frac{rj}{m}]$ ,  $j = 1 - m, \dots, m$ . Since  $h_N(t) \in \mathcal{E}$ , for each  $x, x'$  such that  $\frac{x}{N}, \frac{x'}{N} \in U_j$ , we have

$$\left| (h_N(t_i, \frac{x}{N}) - h_N(t_{i-1}, \frac{x}{N})) - (h_N(t_i, \frac{x'}{N}) - h_N(t_{i-1}, \frac{x'}{N})) \right| \leq 2 \left| \frac{x}{N} - \frac{x'}{N} \right| \leq \frac{2r}{m} \leq \frac{\varepsilon}{2}.$$

Consequently, if  $h(t_i, \frac{x}{N}) - h(t_{i-1}, \frac{x}{N}) \geq \varepsilon$  for some  $\frac{x}{N} \in U_j$ , then  $h(t_i, \frac{x'}{N}) - h(t_{i-1}, \frac{x'}{N}) \geq \frac{\varepsilon}{2}$  for all  $\frac{x'}{N} \in U_j$ . This gives

$$\begin{aligned} p_N &\leq \mathbf{P}_N \left( \bigcup_{i=1}^n \bigcup_{j=1-m}^m \left( \bigcup_{U_j} \left\{ h_N(t_i, \frac{x}{N}) - h_N(t_{i-1}, \frac{x}{N}) \geq \varepsilon \right\} \right) \right) \\ &\leq \sum_{i=1}^n \sum_{j=1-m}^m \mathbf{P}_N \left( \bigcap_{U_j} \left\{ h_N(t_i, \frac{x}{N}) - h_N(t_{i-1}, \frac{x}{N}) \geq \frac{\varepsilon}{2} \right\} \right). \end{aligned} \quad (3.4)$$

Under the law  $\mathbf{P}_N$ , the condition  $h_N(t_i, \frac{x}{N}) - h_N(t_{i-1}, \frac{x}{N}) \geq \frac{\varepsilon}{2}$  forces the underlying Poisson clock at site  $x$  to tick at least  $N \frac{\varepsilon}{2}$  times in a time interval of length  $\frac{NT}{n}$ . Using this in (3.4) gives

$$p_N \leq n \sum_{j=1-m}^m \mathbf{P}(X_N \geq N \frac{\varepsilon}{2})^{\#(U_j \cap \frac{\mathbb{Z}}{N})},$$

where  $X_N \sim \text{Pois}(\frac{NT}{n})$ . Since  $U_j$  is an interval of length  $\frac{r}{m}$ ,  $m := \lceil \frac{4r}{\varepsilon} \rceil$ , we necessarily have  $\#(U_j \cap \frac{\mathbb{Z}}{N}) \geq \frac{\varepsilon N}{5}$ , for all  $N$  large enough. This yields

$$p_N \leq 2mn \mathbf{P}(X_N \geq N \frac{\varepsilon}{2})^{\frac{\varepsilon N}{5}}. \quad (3.5)$$

Recall from (1.16) that  $\psi(\lambda|u)$  denotes the large deviation rate function for Poisson variables. In particular,  $\lim_{N \rightarrow \infty} \frac{1}{N} \log \mathbf{P}_N(X_N \geq N \frac{\varepsilon}{2}) = -\psi(\frac{\varepsilon}{2} | \frac{T}{n})$ . Using this in (3.5) gives

$$\limsup_{N \rightarrow \infty} \frac{1}{N^2} \log p_N \leq -\frac{\varepsilon}{5} \psi\left(\frac{\varepsilon}{2} \middle| \frac{T}{n}\right). \quad (3.6)$$

Now, combining (3.3) and (3.6) gives

$$\limsup_{N \rightarrow \infty} \frac{1}{N^2} \log \mathbf{P}_N(w'(\mathbf{h}_N, n, r) \geq \varepsilon) \leq -\frac{\varepsilon}{5} \psi\left(\frac{\varepsilon}{2} \middle| \frac{T}{n}\right).$$

The last expression tends to  $-\infty$  as  $n \rightarrow \infty$ . This concludes the desired result.  $\square$

Given Lemma 3.1, the exponential tightness follows by standard argument, as follows.

**Proposition 3.2.** *Given any  $b < \infty$ , there exists a compact set  $\mathcal{K} \subset \mathcal{D}$  such that*

$$\limsup_{N \rightarrow \infty} \frac{1}{N^2} \log \mathbf{P}_N(\mathbf{h}_N \notin \mathcal{K}) \leq -b. \quad (3.7)$$

*Proof.* Define, for  $h \in D([0, T], C(\mathbb{R}))$ , the modulo of oscillation as

$$w(h, \delta) := \inf_{\{t_i\}} \max_i \sup_{s \in [t_{i-1}, t_i]} d_{C(\mathbb{R})}(h(s), h(t)), \quad (3.8)$$

where the infimum goes over all partitions  $\{0 = t_0 < t_1 < \dots < t_n = T\}$  of  $[0, T]$  such that  $t_i - t_{i-1} \geq \delta$ ,  $i = 1, \dots, n$ . Note that  $w(h, \delta)$  decreases as  $\delta$  decreases. Under these notations, recall from [EK09, Theorem 3.6.3] that  $\mathcal{A} \subset D([0, T], C(\mathbb{R}))$  is precompact if:

- (1) there exists compact  $\mathcal{K}' \subset C(\mathbb{R})$  such that  $h(t) \in \mathcal{K}'$ ,  $\forall t \in [0, T]$ ,  $h \in \mathcal{A}$ ;
- (2) For each  $h \in \mathcal{A}$ ,  $\lim_{\delta \downarrow 0} w(h, \delta) = \lim_{n \rightarrow \infty} w(h, \frac{T}{n}) = 0$ .

The condition (1) holds automatically for any  $\mathcal{A} \subset \mathcal{D}$  because  $\mathcal{E}$  is already a compact subset of  $C(\mathbb{R})$ . In (3.8), take the equally spaced partition  $\{0 < \frac{T}{n} < \dots < T\}$  we obtain that, for  $h \in \mathcal{D}$  and  $k < \infty$ ,

$$w(h, \frac{T}{n}) \leq \max_{i=1, \dots, n} \|f(\frac{(i-1)T}{n}) - f(\frac{iT}{n})\|_{C[-k, k]} + 2^{-k} = w'(h, n, k) + 2^{-k}. \quad (3.9)$$

For each fixed  $k < \infty$ , using Lemma 3.1 with  $\varepsilon = 2^{-k}$  to bound the term  $w'(h, n, k)$  in (3.9) gives

$$\limsup_{n \rightarrow \infty} \limsup_{N \rightarrow \infty} \frac{1}{N^2} \log \mathbf{P}_N(w(\mathbf{h}_N, \frac{T}{n}) \geq 2^{-k+1}) = -\infty.$$

Fix further  $b < \infty$ . We then obtain  $n_*(b, k)$ ,  $N_*(b, k) < \infty$ , depending only on  $b, k$ , such that

$$\frac{1}{N^2} \log \mathbf{P}_N(w(\mathbf{h}_N, \frac{T}{n}) \geq 2^{-k+1}) < -kb, \quad \forall n \geq n_*(b, k), N \geq N_*(b, k). \quad (3.10)$$

Further, for each  $N \in \{1, \dots, N_*(b, k)\}$ , it is straightforward to show that  $\lim_{\delta \downarrow 0} \mathbf{P}_N(w(\mathbf{h}_N, \delta) \geq 2^{-k+1}) = 0$ . Hence, by making  $n_*(b, k)$  larger in (3.10) if necessary, the inequality (3.10) actually holds for all  $N \geq 1$ , i.e.,

$$\frac{1}{N^2} \log \mathbf{P}_N(w(\mathbf{h}_N, \frac{T}{n}) \geq 2^{-k+1}) < -kb, \quad \forall n \geq n_*(b, k), \quad N \geq 1. \quad (3.11)$$

Now let  $\mathcal{A} := \bigcap_{k=1}^{\infty} \{h : w(h, \frac{T}{n_*(b, k)}) \geq 2^{-k+1}\}$ . By the previously stated criteria (1)–(2), the set  $\mathcal{A}$  is precompact. Rewriting (3.11) as  $\mathbf{P}_N(w(\mathbf{h}_N, \frac{T}{n_*(b, k)}) \geq 2^{-k+1}) \leq e^{-kbN^2}$  and taking the union bound over  $k \geq 1$ , we obtain  $\mathbf{P}_N(\mathcal{A}^c) \leq c(b)e^{-bN^2}$ , for some constant  $c(b) < \infty$  depending only on  $b$ . This concludes (3.7) for  $\mathcal{K} := \overline{\mathcal{A}}$ .  $\square$

We next prepare a lemma that allows us to ignore discontinuous deviations  $g$  in proving Theorem 1.3(a).

**Lemma 3.3.** *Given any  $b < \infty$  and any  $g \in \mathcal{D} \setminus C([0, T], C(\mathbb{R}))$ , i.e., discontinuous  $g$ , there exists a neighborhood  $\mathcal{O}$  of  $g$ , i.e., an open set with  $g \in \mathcal{O}$ , such that*

$$\limsup_{N \rightarrow \infty} \frac{1}{N^2} \log \mathbf{P}_N(\mathbf{h}_N \in \mathcal{O}) \leq -b. \quad (3.12)$$

*Proof.* Recall that, Skorokhod's  $J_1$ -topology is induced from the following metric

$$d_S(g, h) := \sup_v \left\{ \left( \sup_{t \in [0, T]} |v(t) - t| \right) \vee \left( \sup_{t \in [0, T]} d_{C(\mathbb{R})}(g(t), (h \circ v)(t)) \right) \right\}. \quad (3.13)$$

Here the supremum goes over all  $v : [0, T] \rightarrow [0, T]$  that is bijective, strictly increasing and continuous.

Given  $g \in \mathcal{D} \setminus C([0, T], C(\mathbb{R}))$ , there exists  $t \in (0, T]$ ,  $\xi \in \mathbb{R}$  and  $\varepsilon_0 > 0$  such that  $g(t, \xi) - g(t^-, \xi) \geq \varepsilon_0$ . From the expression (3.13) of the Skorokhod metric  $d_S(\cdot, \cdot)$ , we see that  $d_S(h, g) < \delta$  implies  $h((t+\delta) \wedge T, \xi) \geq g(t, \xi) - \delta$  and  $h((t-\delta) \vee 0, \xi) \leq g(t, \xi) + \delta$ . The last two conditions gives

$$w'(h, 2\delta, |\xi|) \geq g(t, \xi) - g(t^-, \xi) - 2\delta \geq \varepsilon_0 - 2\delta.$$

Equivalent,

$$\{h : d_S(h, g) < \delta\} \subset \{w'(h, 2\delta) \geq \varepsilon_0 - 2\delta\}. \quad (3.14)$$

Now, for any given  $b < \infty$ , by Lemma 3.1 there exists some small enough  $\delta > 0$  such that

$$\limsup_{N \rightarrow \infty} \frac{1}{N^2} \log \mathbf{P}_N(w'(\mathbf{h}_N, 2\delta, |\xi|) \geq \varepsilon_0 - 2\delta) \leq -b. \quad (3.15)$$

Combining (3.14)–(3.15), we see that (3.12) holds for  $\mathcal{O} := \{h : d_S(h, g) < \delta\}$ .  $\square$

We now begin the proof of Theorem 1.3(a). The main ingredient is Proposition 3.4, which we state in the following. To setup notations, give a continuous deviation  $g \in \mathcal{D} \cap C([0, T], \mathcal{E})$ , we define the following tubular set around  $g$ :

$$\mathcal{U}_{a, r}(g) := \left\{ h \in \mathcal{D} : \sup_{t \in [0, T]} \|h(t) - g(t)\|_{C[-r, r]} < a \right\}. \quad (3.16)$$

For generic  $a_N \downarrow 0$  and  $r_N \uparrow \infty$ , we consider the following conditioned law:

$$\mathbf{Q}_N := \frac{1}{\mathbf{P}_N(\mathcal{U}_{a_N, r_N}(g))} \mathbf{P}_N|_{\mathcal{U}_{a_N, r_N}(g)}. \quad (3.17)$$

Recall that, for probability laws  $Q, P$ , the relative entropy of  $Q$  with respect to  $P$  is defined as  $H(Q|P) := \mathbf{E}_Q(\log \frac{dQ}{dP})$  if  $Q \ll P$ ; and  $H(Q|P) := -\infty$  otherwise.

**Proposition 3.4.** *Fix a continuous deviation  $g \in \mathcal{D} \cap C([0, T], \mathcal{E})$ , and let  $\{\mathbf{Q}_N\}_N$  and  $\mathcal{U}_{a_N, r_N}(g)$  be as in (3.17), with generic  $a_N \downarrow 0$  and  $r_N \uparrow \infty$ . Then*

$$-\limsup_{N \rightarrow \infty} \frac{1}{N^2} \log \mathbf{P}_N(\mathbf{h}_N \in \mathcal{U}_{a_N, r_N}(g)) = \liminf_{N \rightarrow \infty} \frac{1}{N^2} H(\mathbf{Q}_N | \mathbf{P}_N) \geq I^{(1)}(g). \quad (3.18)$$

Proposition 3.4 is proven in Section 4 in the following. Assuming this result here, we proceed to complete the proof of Theorem 1.3(a).

*Proof of Theorem 1.3(a).* Recall from (3.13) that  $d_S$  denotes Skorokhod's metric. Throughout this proof we write  $B_b(h) := \{\tilde{h} \in \mathcal{D} : d_S(h, \tilde{h}) < b\}$  for the open ball of radius  $b$  centered at a given  $h$ . First, given the exponential tightness from Proposition 3.2, it suffices to prove the upper bound (1.22) for compact  $\mathcal{C}$ . Fix a compact  $\mathcal{C} \subset \mathcal{D}$ . For each given radius  $b > 0$ , let  $\{\mathcal{B}_b(h_i^b)\}_{i=1}^{n(b)} \subset \mathcal{D}$  be a finite cover of  $\mathcal{C}$  that consists of open balls of radius  $b$ . Choose a sequence  $b_N \downarrow 0$  in such a way that  $\frac{1}{N^2} \log n(b_N) \rightarrow 0$ , and write  $h_i^{b_N} := h_i^N$  to simplify notations. We then have

$$\begin{aligned} \limsup_{N \rightarrow \infty} \frac{1}{N^2} \log \mathbf{P}_N(\mathcal{C}) &\leq \limsup_{N \rightarrow \infty} \frac{1}{N^2} \log \left( \sum_{i=1}^{n(b_N)} \mathbf{P}_N(\mathbf{h}_N \in \mathcal{B}_{b_N}(h_i^{b_N})) \right) \\ &\leq \limsup_{N \rightarrow \infty} \max_{i=1}^{n(b_N)} \frac{1}{N^2} \log \mathbf{P}_N(\mathbf{h}_N \in \mathcal{B}_{b_N}(h_i^{b_N})). \end{aligned} \quad (3.19)$$

In (3.19), pass to a subsequences  $N_M$  and  $i_M$  that achieves the limit, and write  $\tilde{h}_M := h_{i_M}^{N_M}$  and  $\tilde{b}_M := b_{N_M}$  to simply notations. As  $\mathcal{C}$  is compact, the subsequence  $\{\tilde{h}_M\}_{M=1}^{\infty}$  has a limit point  $g \in \mathcal{C}$ . Hence, by refining the subsequences, we assume without loss of generality  $\tilde{h}_M \rightarrow g$ , as  $M \rightarrow \infty$ .

Consider first the case where  $g$  is continuous, i.e.,  $g \in C([0, T], \mathcal{E})$ . For such  $g$ , convergence to  $g$  under the  $J_1$ -topology is equivalent to convergence under the uniform topology. This being the case, there exist  $a_N \downarrow 0$  and  $r_N \uparrow \infty$  such that, with  $\mathcal{U}_{a,r}(g)$  defined in (3.16),  $\mathcal{B}_{\tilde{b}_M}(\tilde{h}_M) \subset \mathcal{U}_{a_{N_M}, r_{N_M}}(g)$ , for all  $M$ . This gives

$$\begin{aligned} \limsup_{N \rightarrow \infty} \max_{i=1}^{n(b_N)} \frac{1}{N^2} \log \mathbf{P}_N(\mathbf{h}_N \in \mathcal{B}_{b_N}(h_i^N)) &= \lim_{M \rightarrow \infty} \frac{1}{N_M^2} \log \mathbf{P}_N(\mathbf{h}_{N_M} \in \mathcal{B}_{\tilde{b}_M}(\tilde{h}_M)) \\ &\leq \limsup_{N \rightarrow \infty} \frac{1}{N^2} \log \mathbf{P}_N(\mathbf{h}_N \in \mathcal{U}_{a_N, r_N}(g)). \end{aligned}$$

The desired upper bound (1.22) thus follows from Proposition 3.4.

For the case of a discontinuous  $g$ , fix arbitrary  $b < \infty$ . By Lemma 3.3 there exists a neighborhood  $\mathcal{O}$  of  $g$  such that (3.12) holds. With  $\tilde{h}^M \rightarrow g$  and  $\tilde{b}_M \rightarrow 0$ , we have  $\mathcal{B}_{\tilde{b}_M}(\tilde{h}_M) \subset \mathcal{O}$ , for all  $M$  large enough. Hence

$$\limsup_{N \rightarrow \infty} \max_{i=1}^{n(b_N)} \frac{1}{N^2} \log \mathbf{P}_N(\mathcal{B}_{b_N}(h_i^N)) \leq \limsup_{N \rightarrow \infty} \frac{1}{N^2} \log(\mathcal{O}) \leq -b.$$

Letting  $b \rightarrow \infty$  gives the desired result (1.22).  $\square$

**3.2. Lower bound.** We begin by setting up notations and conventions. In the following, in addition to the process  $\mathbf{h}_N$  with initial condition  $\mathbf{h}_N^{\text{ic}}$  as in (1.21), we will also consider processes with other initial conditions. We use different notations to distinguish these processes, e.g.,  $\mathbf{g}_N$  with initial condition  $\mathbf{g}_N^{\text{ic}}$ . The initial conditions considered in the following are *deterministic*. This being the case, we couple all the processes with different initial conditions together by the **basic coupling** (see, for example, [Lig13]). That is, all the processes are driven by a common set of Poisson clocks. Abusing notations, we write  $\mathbf{P}_N$  the *joint* law of *all* the processes with distinct initial conditions, and write  $\mathbf{P}_N^{\mathbf{g}}$  for the marginal law of a given process  $\mathbf{g}$ . It is straightforward to verify that the basic coupling preserves order, i.e.,

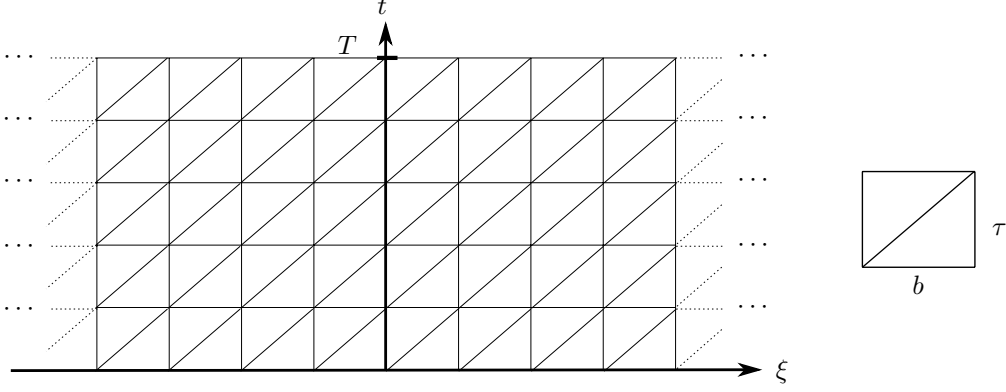
$$\text{if } \bar{\mathbf{h}}(0, x) \geq \underline{\mathbf{h}}(0, x), \forall x \in \mathbb{Z}, \quad \text{then } \bar{\mathbf{h}}(t, x) \geq \underline{\mathbf{h}}(t, x), \forall t \in [0, NT], x \in \mathbb{Z}, \quad (3.20)$$

and that height processes are shift-invariant

$$\text{if } \mathbf{h}^1(0) = \mathbf{h}^2(0) + k, \quad \text{then } \mathbf{h}^1(t) = \mathbf{h}^2(t) + k, \forall t \in [0, NT]. \quad (3.21)$$

In the following we will often consider partition of subsets of  $[0, T] \times \mathbb{R}$ . We adopt the convention that the  $t$ -axis is vertical, while the  $\xi$ -axis is horizontal. The direction going into larger/smaller  $t$  is referred to as upper/lower, which the direction going to larger/smaller  $\xi$  is referred to as right/left. For a given  $\tau = \frac{T}{\ell}$ ,  $\ell \in \mathbb{N}$ , we let  $\Sigma(\tau, b)$  denote the triangulation of  $[0, T] \times \mathbb{R}$  as depicted in Figure 4. Each triangle  $\Delta \in \Sigma(\tau, b)$  has a vertical edge of length  $\tau$ , and horizontal edge of length  $b$ , and a hypotenuse going upper-right-lower-left. We say a function  $h \in C([0, T] \times \mathbb{R})$  is  $\Sigma(\tau, b)$ -**piecewise linear** if  $h$  is linear (i.e.,  $\nabla h$  is constant) on each  $\Delta \in \Sigma(\tau, b)$ .

Recall from (3.16) that  $\mathcal{U}_{a,r}(h)$  denotes a tubular set around a given deviation  $h$ . The main ingredient of the proof is the following proposition.

FIGURE 4. The triangulation  $\Sigma(\tau, b)$ 

**Proposition 3.5.** Fix  $\varepsilon_* > 0$ ,  $r_* < \infty$ ;  $\tau, b$  such that  $\frac{T}{\tau}, \frac{r_*}{b} \in \mathbb{N}$ ; and a  $\mathcal{D}$ -valued,  $\Sigma(\tau, b)$ -piecewise linear deviation  $g$  such that

$$0 < \sup_{[0, T] \times \mathbb{R}} g_t < \infty, \quad (3.22)$$

$$0 < \inf_{[0, T] \times \mathbb{R}} g_\xi \leq \sup_{[0, T] \times \mathbb{R}} g_\xi < 1, \quad (3.23)$$

Write  $g^{ic} := g(0)$ . Given a TASEP height process  $\mathbf{g}_N$ , with an initial condition  $\mathbf{g}^{ic}$  satisfying

$$d_{C(\mathbb{R})}(\mathbf{g}_N^{ic}, g^{ic}) \rightarrow 0, \quad \text{as } N \rightarrow \infty, \quad (3.24)$$

there exists a probability law  $\mathbf{Q}_N$  on  $\mathcal{D}$ , supported on the trajectories of  $\mathbf{g}_N$ , such that

$$\lim_{N \rightarrow \infty} \mathbf{Q}_N(\mathbf{g}_N \in \mathcal{U}_{\varepsilon_*, r_*}(g)) = 1, \quad (3.25)$$

$$\sup_N \mathbf{E}_{\mathbf{Q}_N} \left( \frac{1}{N^2} \log \frac{d\mathbf{Q}_N}{d\mathbf{P}_N^g} \right)^2 < \infty, \quad (3.26)$$

$$\limsup_{N \rightarrow \infty} \frac{1}{N^2} H(\mathbf{Q}_N | \mathbf{P}_N^g) < \int_0^T \int_{-r_*}^{r_*} J^{(2)}(g_t, g_\xi) dt d\xi + \int_0^T \int_{r_* \leq |\xi| \leq r^*} \bar{\psi} \left( \frac{g_t}{g_\xi(1-g_\xi)} \right) dt d\xi, \quad (3.27)$$

where  $r^*$  is defined in terms of  $r_*$  and  $g$  as

$$r^* := r_* + r_* \lceil \frac{T\bar{\lambda}}{r_*} \rceil, \quad (3.28)$$

$$\bar{\lambda} := \sup_{[0, T] \times \mathbb{R}} \frac{g_t}{g_\xi(1-g_\xi)} \in (0, \infty). \quad (3.29)$$

Proposition 3.5 is proven in Section 5–7 in the following. Here we assume this result, and proceed to complete the proof of Theorem 1.3(b). To this end, we first prepare a few technical results. First, using standard change-of-measure techniques, we have the following consequence of Proposition 3.5:

**Proposition 3.5\*.** Let  $\mathbf{g}_N, g, \varepsilon_*, r_*, r^*$  be as in Proposition 3.5. We have

$$\liminf_{N \rightarrow \infty} \frac{1}{N^2} \log \mathbf{P}_N(\mathbf{g}_N \in \mathcal{U}_{\varepsilon_*, r_*}(g)) > - \int_0^T \int_{\mathbb{R}} J^{(2)}(g_t, g_\xi) dt d\xi + \int_0^T \int_{r_* \leq |\xi| \leq r^*} \bar{\psi} \left( \frac{g_t}{g_\xi(1-g_\xi)} \right) dt d\xi + \varepsilon_*. \quad (3.30)$$

*Proof.* Let  $\{\mathbf{Q}_N\}_N$  be as in Proposition 3.5, and write  $\mathcal{U} := \mathcal{U}_{\varepsilon_*, r_*}(g)$  to simplify notations. Changing measures from  $\mathbf{P}_N$  to  $\mathbf{Q}_N$ , we write  $\mathbf{P}_N(\mathbf{g}_N \in \mathcal{U})$  as

$$\mathbf{P}_N(\mathbf{g}_N \in \mathcal{U}) = \mathbf{E}_{\mathbf{Q}_N} \left( \mathbf{1}_{\mathcal{U}} \exp \left( - \log \frac{d\mathbf{Q}_N}{d\mathbf{P}_N^g} \right) \right).$$



Apply Jensen's inequality  $\int F(X)d\mu \geq (\int d\mu)F(\frac{\int Xd\mu}{\int d\mu})$  with the convex function  $F(\xi) = \exp(-\xi)$ , and with  $X = \log \frac{d\mathbf{Q}_N}{d\mathbf{P}_N^g}$  and  $\mu = \mathbf{E}_{\mathbf{Q}_N}(\mathbf{1}_{\mathcal{U}} \cdot)$ . We then obtain

$$\begin{aligned} \mathbf{P}_N(\mathbf{g}_N \in \mathcal{U}) &\geq \mathbf{Q}_N(\mathcal{U}) \exp\left(-\frac{1}{\mathbf{Q}_N(\mathcal{U})} \mathbf{E}_{\mathbf{Q}_N}\left(\mathbf{1}_{\mathcal{U}} \log \frac{d\mathbf{Q}_N}{d\mathbf{P}_N^g}\right)\right) \\ &= \mathbf{Q}_N(\mathcal{U}) \exp\left(-\frac{1}{\mathbf{Q}_N(\mathcal{U})} H(\mathbf{Q}_N|\mathbf{P}_N^g) + \frac{1}{\mathbf{Q}_N(\mathcal{U})} \mathbf{E}_{\mathbf{Q}_N}\left(\mathbf{1}_{\mathcal{U}^c} \log \frac{d\mathbf{Q}_N}{d\mathbf{P}_N^g}\right)\right). \end{aligned} \quad (3.31)$$

Take  $\frac{1}{N^2} \log(\cdot)$  on both sides of (3.31), and let  $N \rightarrow \infty$ . We have

$$\begin{aligned} &\liminf_{N \rightarrow \infty} \frac{1}{N^2} \log \mathbf{P}_N(\mathbf{g}_N \in \mathcal{U}) \\ &\geq \liminf_{N \rightarrow \infty} \left( \frac{1}{N^2} \log \mathbf{Q}_N(\mathcal{U}) + \frac{1}{\mathbf{Q}_N(\mathcal{U})} \frac{-1}{N^2} H(\mathbf{Q}_N|\mathbf{P}_N^g) + \frac{1}{\mathbf{Q}_N(\mathcal{U})} \mathbf{E}_{\mathbf{Q}_N}\left(\mathbf{1}_{\mathcal{U}^c} \frac{1}{N^2} \log \frac{d\mathbf{Q}_N}{d\mathbf{P}_N^g}\right) \right). \end{aligned} \quad (3.32)$$

With (3.26) and  $\mathbf{E}_{\mathbf{Q}_N}(\mathcal{U}^c) \rightarrow 0$ , we have that  $\mathbf{E}_{\mathbf{Q}_N}(\mathbf{1}_{\mathcal{U}^c} \frac{1}{N^2} \log \frac{d\mathbf{Q}_N}{d\mathbf{P}_N^g}) \rightarrow 0$ . Using this in (3.32) gives

$$\liminf_{N \rightarrow \infty} \frac{1}{N^2} \log \mathbf{P}_N(\mathbf{g}_N \in \mathcal{U}) \geq \liminf_{N \rightarrow \infty} \left( \frac{1}{N^2} \log \mathbf{Q}_N(\mathcal{U}) + \frac{1}{\mathbf{Q}_N(\mathcal{U})} \frac{-1}{N^2} H(\mathbf{Q}_N|\mathbf{P}_N^g) \right). \quad (3.33)$$

Now, in (3.33), using (3.25) to replace each  $\mathbf{Q}_N(\mathcal{U})$  with 1, and then using (3.27) to take limit of the last term, we obtain the desired result (3.30).  $\square$

The next Lemma allows us to approximate  $h^* \in \mathcal{D}$  with  $I^{(2)}(h^*) < \infty$  with a piecewise linear  $g$  of the form considered in Proposition 3.5.

**Lemma 3.6.** *Fix  $a, \varepsilon_* > 0$ ,  $r_0 < \infty$ , and a deviation  $h^* \in \mathcal{D}$  such that  $I^{(2)}(h^*) < \infty$ . There exist  $r_* \geq r'_* \in [r_0, \infty)$ ,  $\ell_* \in \mathbb{N}$ , and a  $\Sigma(\frac{T}{\ell_*}, \frac{r_*}{\ell_*})$ -piecewise linear function  $g \in \mathcal{D}$ , such that*

$$\sup_{[0, T] \times [-r'_*, r'_*]} |g - h^*| < a, \quad (3.34)$$

$$\int_0^T \int_{-r_*}^{r_*} J^{(2)}(g_t, g_\xi) dt d\xi < I^{(2)}(h_*) + \varepsilon_*, \quad (3.35)$$

$$\int_0^T \int_{r_* \leq |\xi| \leq r_*} \bar{\psi}\left(\frac{g_t}{g_\xi(1-g_\xi)}\right) dt d\xi < \varepsilon_*, \quad (3.36)$$

and satisfies (3.22)–(3.23), and

$$g(0, r'_*) > \left( \sup_{[0, T] \times [-r_0, r_0]} g \right) + \frac{a}{5}, \quad (3.37)$$

$$g(0, -r'_*) + r'_* > \left( \sup_{[0, T] \times [-r_0, r_0]} (g(t, \xi) - \xi) \right) + \frac{a}{5}, \quad (3.38)$$

where  $r^* \geq r_*$  is defined in terms of  $r_*$  and  $g$  as in (3.28)–(3.29).

**Remark 3.7.** Indeed,  $\Sigma(\frac{T}{\ell_*}, \frac{r'_*}{\ell_*})$ -piecewise linear functions have derivatives everywhere except along the edges of the underlying triangulation. Slightly abusing notations, the supremum and infimum in (3.22)–(3.23) neglect a set of zero Lebesgue measure where  $\nabla g$  is undefined. We adopt this convention also in the following.

**Remark 3.8.** Here we explain the role of this lemma and the conditions (3.22)–(3.23), (3.34)–(3.38) therein. The idea behind Lemma 3.6 is to approximate a *generic*  $h^*$  with a *specific* type of deviation  $g$ , with various properties that facilitates the subsequent analysis. Indeed, (3.34) allows us to approximate the deviation  $h^*$  with  $g$ , and (3.35)–(3.36) ensure the corresponding cost does not increase, up to an error of  $\varepsilon_*$ . The conditions (3.22)–(3.23) assert that  $(\nabla g)$  is bounded away from the boundary of  $(\kappa, \rho) \in [0, \infty) \times [0, 1]$ . In particular, the resulting rate density  $J^{(2)}(g_t, g_\xi)$  is uniformly bounded. The purpose of having (3.37)–(3.38) is to incorporate a localization result from Lemma 3.9 in following.

*Proof.*

**Step 0, some properties of  $h^*$ .** Fix  $a > 0, r_0 < \infty$  and  $h^* \in \mathcal{D}$  with  $I^{(2)}(h^*) < \infty$ . Note that for such  $h^*$  we must have  $h^*(0) = h^{\text{ic}}$ . Before starting the proof, let us first prepare a few useful properties of  $h^*$ . Since  $h^{\text{ic}} \in \mathcal{D}$ ,  $\xi \mapsto h^{\text{ic}}(\xi)$  is nondecreasing and  $\xi \mapsto h^{\text{ic}}(\xi) - \xi$  is nonincreasing. We let

$$\alpha^+ := \lim_{\xi \rightarrow \infty} h^{\text{ic}}(\xi) = \sup_{\mathbb{R}} h^{\text{ic}} \in \mathbb{R} \cup \{\infty\}, \quad \alpha^- := \lim_{\xi \rightarrow -\infty} (h^{\text{ic}}(\xi) - \xi) = \sup_{\xi \in \mathbb{R}} (h^{\text{ic}}(\xi) - \xi) \in \mathbb{R} \cup \{\infty\}.$$

Under the current assumption  $I^{(2)}(h^*) < \infty$ , we claim that

$$\alpha^+ = \sup_{[0, T] \times \mathbb{R}} h^*, \quad (3.39)$$

$$\alpha^- = \sup_{[0, T] \times \mathbb{R}} (h^*(t, \xi) - \xi), \quad (3.40)$$

$$\sup_{\xi \in \mathbb{R}} (h^*(T, \xi) - h^*(0, \xi)) < \infty. \quad (3.41)$$

To see why (3.39) should hold, assume the contrary:  $h^*(t_0, \xi_0) = \alpha > \alpha^+$ , for some  $t_0 \in (0, T]$ ,  $\xi_0 \in \mathbb{R}$ . Since  $h^*(t_0) \in \mathcal{E}$ , we necessarily have that  $h^*(t_0, \xi)|_{\xi \geq \xi_0} \geq \alpha$ . Using (2.17), we write

$$I^{(2)}(h^*) \geq \int_{\xi_0}^{\infty} \int_0^{t_0} J^{(2)}(h_t^*, h_\xi^*) dt d\xi \geq \int_{\xi_0}^{\infty} \int_0^{t_0} \bar{\psi}(h_t^*) dt d\xi.$$

Further utilizing the convexity of  $\lambda \mapsto \bar{\psi}(\lambda)$  gives

$$I^{(2)}(h^*) \geq \int_{\xi_0}^{\infty} t_0 \bar{\psi} \left( \int_0^{t_0} h_t^* dt \right) d\xi \geq \int_{\xi_0}^{\infty} t_0 \bar{\psi} \left( \frac{\alpha - \alpha^+}{t_0} \right) d\xi = \infty.$$

This contradicts with the assumption  $I^{(2)}(h^*) < \infty$ . Hence (3.39) must hold. Likewise, if (3.40) fails, i.e.,  $h^*(t_0, \xi_0) - \xi_0 = \alpha' > \alpha^-$ , we must have  $(h^*(t_0, \xi) - \xi)|_{\xi \leq \xi_0} \geq \alpha'$ . The last inequality gives  $(h^*(t_0, \xi) - h^{\text{ic}}(\xi))|_{\xi \leq \xi_0} \geq \alpha' - \alpha^- > 0$ . From here a contradiction is derived by similar calculation to the preceding. Hence (3.40) must also hold. Turning to (3.41), for each  $\xi_0 \in \mathbb{R}$ , using  $h^*(T), h^*(0) \in \mathcal{E}$  we write

$$(h^*(T, \xi_0) - h^*(0, \xi_0)) - 1 \leq \inf_{|\xi - \xi_0| \leq \frac{1}{2}} (h^*(T, \xi) - h^*(0, \xi)). \quad (3.42)$$

Recall the definitions of  $\tilde{I}_n(h, \xi)$  and  $\tilde{I}(h)$  from (2.6)–(2.7). With  $\lim_{\lambda \rightarrow \infty} \bar{\psi}(\lambda) \lambda^{-1} = \infty$ , we have that  $\lambda \leq \bar{\psi}(\lambda) + c_0, \forall \lambda \in [0, \infty)$ , for some universal constant  $c_0 < \infty$ . Using this for  $\lambda = \frac{h^*(T, \xi) - h^*(0, \xi)}{T}$  on the r.h.s. of (3.42), we obtain

$$\begin{aligned} (h^*(T, \xi_0) - h^*(0, \xi_0)) - 1 - Tc_0 &\leq \int_{|\xi - \xi_0| \leq \frac{1}{2}} T \bar{\psi} \left( \frac{h^*(T, \xi) - h^*(0, \xi)}{T} \right) d\xi \\ &\leq \int_{\mathbb{R}} T \bar{\psi} \left( \frac{h^*(T, \xi) - h^*(0, \xi)}{T} \right) d\xi = \int_{\mathbb{R}} \tilde{I}_1(h^*, \xi) d\xi. \end{aligned} \quad (3.43)$$

By (2.7) and Lemma 2.3, the last expression in (3.43) is bounded by  $\tilde{I}(h^*)$ , which is further bounded by  $I^{(2)}(h^*)$ . Namely,  $(h^*(T, \xi_0) - h^*(0, \xi_0)) - 1 - Tc_0 \leq I^{(2)}(h^*)$ . Under the assumption  $I^{(2)}(h^*) < \infty$ , taking the supremum over  $\xi_0 \in \mathbb{R}$  gives (3.41).

**Step 1, tilting.** Our goal is to construct a suitable  $g$  that satisfies all the prescribed conditions. The construction is done in three steps. Starting with  $h^*$ , in each step we perform a surgery on the function from the previous step. Here, in the first step, we ‘tilt’  $h^*$  to obtain  $\tilde{g}$ , described as follows.

Set  $\gamma_0 := \sup_{t \in [0, T]} |h^*(t, 0)| < \infty$ , and let  $r' > (8a) \vee r_0 \vee (2a\gamma_0)$  be an auxiliary parameter. We tilt the function  $h^*$  to get

$$\tilde{g}^{r'}(t, \xi) := \left(1 - \frac{a}{2r'}\right) h^*(t, \xi) + \frac{a}{4r'} \xi. \quad (3.44)$$

Such a tilting ensures the  $\xi$ -derivatives are bounded away from 0 and 1. More precisely,

$$\tilde{g}'_{\xi} = \left(1 - \frac{a}{2r'}\right) h'_{\xi} + \frac{a}{4r'} \in \left[\frac{a}{4r'}, 1 - \frac{a}{4r'}\right], \quad (3.45)$$

Also,  $\tilde{g}'_t = \left(1 - \frac{a}{2r'}\right) h'_t \leq h'_t$ , and

$$\sup_{[0, T] \times [-r_0, r_0]} |\tilde{g}^{r'} - h^*| \rightarrow 0, \text{ as } r' \rightarrow \infty. \quad (3.46)$$

Furthermore, evaluating  $\tilde{g}^{r'}$  at  $(t, \xi) = (0, \pm r')$  gives

$$\tilde{g}^{r'}(0, r') = \left(1 - \frac{a}{2r'}\right) h^{\text{ic}}(r') + \frac{a}{4} \longrightarrow \alpha^+ + \frac{a}{4}, \quad \text{as } r' \rightarrow \infty, \quad (3.47)$$

$$\tilde{g}^{r'}(0, -r') + r' = \left(1 - \frac{a}{2r'}\right) (h^{\text{ic}}(-r') + r') + \frac{a}{4} \longrightarrow \alpha^- + \frac{a}{4}, \quad \text{as } r' \rightarrow \infty. \quad (3.48)$$

We now list a few consequence of the prescribed properties of  $\tilde{g}^{r'}$ . Recall that  $\Phi^{(2)}(\rho) := \rho(1 - \rho)$ . From (3.45), it is straightforward to verify that  $|\tilde{g}_\xi^{r'} - \frac{1}{2}| \leq |h_\xi^* - \frac{1}{2}|$ , so in particular  $\Phi^{(2)}(\tilde{g}_\xi^{r'}) \geq \Phi^{(2)}(h_\xi^*)$ . Combining this with (2.5), together with  $\tilde{g}_t^{r'} \leq h_t^*$ , we obtain

$$J^{(2)}(\tilde{g}_t^{r'}, \tilde{g}_\xi^{r'}) \leq J^{(2)}(h_t^*, h_\xi^*). \quad (3.49)$$

Next, with  $|\tilde{g}^{r'}(t, \xi) - h^*(t, \xi)| \leq \frac{a}{2r'} |h^*(t, \xi)| + \frac{a|\xi|}{4r'}$ ,  $|h^*(t, \xi)| \leq \gamma_0 + |\xi|$ , and  $r' > 2a\gamma_0$ , we have that

$$\sup_{[0, T] \times [-r', r']} |\tilde{g}^{r'} - h^*| \leq \frac{a}{2r'} (\gamma_0 + r') + \frac{ar'}{4r'} < a. \quad (3.50)$$

Further, combining (3.47) with (3.39) and (3.46), we have that

$$\liminf_{r' \rightarrow \infty} \left( \tilde{g}^{r'}(0, r') - \sup_{[0, T] \times [-r_0, r_0]} \tilde{g}^{r'} \right) \geq \alpha^+ + \frac{a}{4} - \sup_{[0, T] \times [-r_0, r_0]} h^* \geq \frac{a}{4}. \quad (3.51)$$

Similarly, (3.48), (3.40) and (3.46) gives

$$\liminf_{r' \rightarrow \infty} \left( \tilde{g}^{r'}(0, -r') + r' - \left( \sup_{[0, T] \times [-r_0, r_0]} \tilde{g}^{r'}(t, \xi) + \xi \right) \right) \geq \frac{a}{4}. \quad (3.52)$$

In view of (3.50)–(3.52), we now fix  $r' = r'_*$ , and write  $\tilde{g}^{r'_*} =: \tilde{g}$ , for large enough  $r'_*$  so that

$$\sup_{[0, T] \times [-r'_*, r'_*]} |\tilde{g} - h^*| < a, \quad (3.53)$$

$$\tilde{g}(0, r'_*) > \left( \sup_{[0, T] \times [-r_0, r_0]} \tilde{g} \right) - \frac{a}{5}. \quad (3.54)$$

$$\tilde{g}(0, -r'_*) + r'_* > \left( \sup_{[0, T] \times [-r_0, r_0]} (\tilde{g}(t, \xi) - \xi) \right) - \frac{a}{5}. \quad (3.55)$$

**Step 2, mollification.** Having constructed  $\tilde{g}$ , we next mollify  $\tilde{g}$  to obtain a smooth function  $\hat{g}$ . To prepare for this, let us first fix the threshold  $r_*$ . From (3.49), we have that

$$\int_0^T \int_{|\xi| \geq r} J^{(2)}(\tilde{g}_t, \tilde{g}_\xi) dt d\xi \leq \int_0^T \int_{|\xi| \geq r} J^{(2)}(h_t^*, h_\xi^*) dt d\xi \longrightarrow 0, \quad \text{as } r \rightarrow \infty.$$

This being the case, we fix  $r_* \geq r'_*$  such that  $\int_0^T \int_{|\xi| \geq r_*} J^{(2)}(\tilde{g}_t, \tilde{g}_\xi) dt d\xi < (\frac{a}{4r'_*})^2 \varepsilon_*$ .

Fix a mollifier  $\omega \in C^\infty(\mathbb{R} \times \mathbb{R})$ , i.e., nonnegative, supported on the unit ball, integrates to unity. Extend  $\tilde{g}$  to  $\mathbb{R} \times \mathbb{R}$  by setting  $\tilde{g}(t, \xi)|_{t < 0} := g(0, \xi)$  and  $\tilde{g}(t, \xi)|_{t > T} := g(T, \xi)$ . Under this setup, for  $\delta > 0$ , we mollify  $\tilde{g}$ , and then tilt in  $t$ , to obtain

$$\hat{g}^\delta(t, \xi) := \int_{\mathbb{R}^2} \tilde{g}(s, \zeta) \omega\left(\frac{t-s}{\delta}, \frac{\xi-\zeta}{\delta}\right) \frac{ds d\zeta}{\delta^2} + \delta t. \quad (3.56)$$

With  $\tilde{g}$  being continuous on  $[0, T] \times [-r'_*, r'_*]$ , the properties (3.53)–(3.55) hold also for  $\hat{g}^\delta$  in place of  $\tilde{g}$ , for all  $\delta$  small enough. Further, the convexity of  $(\kappa, \rho) \mapsto J^{(2)}(\kappa, \rho)$  gives

$$\begin{aligned} \int_0^T \int_{-r_*}^{r_*} J^{(2)}(\hat{g}_t^\delta, \hat{g}_\xi^\delta) dt d\xi &\leq \int_{-\delta}^{T+\delta} \int_{|\xi| \leq r_* + \delta} J^{(2)}(\tilde{g}_t + \delta, \tilde{g}_\xi) dt d\xi \longrightarrow \int_0^T \int_{-r_*}^{r_*} J^{(2)}(\tilde{g}_t, \tilde{g}_\xi) dt d\xi \leq I^{(2)}(h^*), \\ \int_0^T \int_{-|\xi| \geq r_*} J^{(2)}(\hat{g}_t^\delta, \hat{g}_\xi^\delta) dt d\xi &\leq \int_{-\delta}^{T+\delta} \int_{|\xi| \geq r_* + \delta} J^{(2)}(\tilde{g}_t + \delta, \tilde{g}_\xi) dt d\xi \longrightarrow \int_0^T \int_{-|\xi| \geq r_*} J^{(2)}(\tilde{g}_t, \tilde{g}_\xi) dt d\xi < \left(\frac{a}{4r'_*}\right)^2 \varepsilon_*, \end{aligned}$$

as  $\delta \downarrow 0$ . In view of these properties, we now fix small enough  $\delta = \delta_* > 0$ , set  $\hat{g} := \hat{g}^{\delta_*}$ , so that

$$\sup_{[0, T] \times [-r'_*, r'_*]} |\hat{g} - h^*| < a, \quad (3.57)$$

$$\int_0^T \int_{-r_*}^{r_*} J^{(2)}(\hat{g}_t, \hat{g}_\xi) dt d\xi < I^{(2)}(h^*) + \varepsilon_*, \quad (3.58)$$

$$\int_0^T \int_{|\xi| \geq r_*} J^{(2)}(\widehat{g}_t, \widehat{g}_\xi) dt d\xi < \left(\frac{a}{4r'_*}\right)^2 \varepsilon_*, \quad (3.59)$$

$$\widehat{g}(0, r'_*) > \left( \sup_{[0, T] \times [-r_0, r_0]} \widehat{g} \right) - \frac{a}{5}. \quad (3.60)$$

$$\widehat{g}(0, -r'_*) + r'_* > \left( \sup_{[0, T] \times [-r_0, r_0]} (\widehat{g}(t, \xi) - \xi) \right) - \frac{a}{5}. \quad (3.61)$$

Further, since  $\widehat{g}_\xi$  is an average of  $\widetilde{g}_\xi$ , from (3.45) we have that

$$\widehat{g}_\xi \in \left[ \frac{a}{4r'_*}, 1 - \frac{a}{4r'_*} \right]. \quad (3.62)$$

As for the  $t$ -derivative, we claim that, for some fixed constant  $c_* < \infty$  (depending on  $\delta_*$ ),

$$\delta_* \leq \sup_{[0, T] \times \mathbb{R}} \widehat{g}_t \leq c_*. \quad (3.63)$$

Indeed, the tilting in (3.56) ensures  $\widehat{g}_t \geq \delta_*$ . To show the upper bound, we use (3.56) to write

$$\widehat{g}_t(t, \xi) = \int_{\mathbb{R}^2} \widetilde{g}(s, \zeta) \omega_t\left(\frac{t-s}{\delta_*}, \frac{\xi-\zeta}{\delta_*}\right) \frac{ds d\zeta}{\delta_*^3} = \int_{\mathbb{R}^2} (\widetilde{g}(s, \zeta) - \widetilde{g}(0, \zeta)) \omega_t\left(\frac{t-s}{\delta_*}, \frac{\xi-\zeta}{\delta_*}\right) \frac{ds d\zeta}{\delta_*^3}. \quad (3.64)$$

Under the convention  $\widetilde{g}(t, \xi)|_{t < 0} := g(0, \xi)$  and  $\widetilde{g}(t, \xi)|_{t > T} := g(T, \xi)$ , referring back to (3.44), we have that

$$\sup_{t \in \mathbb{R}} \left( \sup_{\xi \in \mathbb{R}} |\widetilde{g}(t, \xi) - \widetilde{g}(0, \xi)| \right) = \sup_{\xi \in \mathbb{R}} (\widetilde{g}(T, \xi) - \widetilde{g}(0, \xi)) = \left(1 - \frac{a}{4r'_*}\right) \sup_{\xi \in \mathbb{R}} (h^*(T, \xi) - h^*(0, \xi)).$$

The last quantity, by (3.41), is finite, so in particular  $|\widetilde{g}(t, \xi) - \widetilde{g}(0, \xi)|$  is uniformly bounded. Using this bound in (3.64) gives  $\sup_{[0, T] \times \mathbb{R}} \widehat{g}_t < \infty$ . This concludes (3.63). Also, combining (3.62) with (3.59), we have that

$$\int_0^T \int_{|\xi| \geq r_*} \overline{\psi}\left(\frac{\widehat{g}_t}{\widehat{g}_\xi(1 - \widehat{g}_\xi)}\right) dt d\xi = \int_0^T \int_{|\xi| \geq r_*} \frac{1}{\widehat{g}_\xi(1 - \widehat{g}_\xi)} J^{(2)}(\widehat{g}_t, \widehat{g}_\xi) dt d\xi < \varepsilon_*. \quad (3.65)$$

**Step 3, linear interpolation.** Given the smooth function  $\widehat{g}$ , we are now ready to construct the piecewise linear  $g$ . Similarly to the preceding, the construction involves an auxiliary parameter,  $\ell \in \mathbb{N}$ , which will be fixed toward the end of the proof. For  $\ell \in \mathbb{N}$ , consider the triangulation  $\Sigma(\frac{T}{\ell}, \frac{r'_*}{\ell})$ . Define a  $\Sigma(\frac{T}{\ell}, \frac{r'_*}{\ell})$ -piecewise linear function  $g^\ell$  by letting  $g^\ell = \widetilde{g}$  at each of the *vertices* of the triangle  $\Delta \in \Sigma(\frac{T}{\ell}, \frac{r'_*}{\ell})$ , and then linearly interpolating within  $\Delta$ .

Similarly to (3.28)–(3.29), we let

$$r^{*, \ell} := r_* + r_* \left[ \frac{T}{r_*} \left( \sup_{[0, T] \times \mathbb{R}} \frac{g_t^\ell}{g_\xi^\ell(1 - g_\xi^\ell)} \right) \right].$$

Since each  $\Delta$  has a vertical edge and a horizontal edge, and since  $g^\ell$  is the linear interpolation of  $\widetilde{g}$  on  $\Delta$ , the (constant) derivatives  $g_t^\ell|_{\Delta^\circ}$  and  $g_\xi^\ell|_{\Delta^\circ}$  are the averages of  $\widehat{g}_t$  and  $\widehat{g}_\xi$  along the vertical and horizontal edges of  $\Delta$ , respectively. This together with (3.62)–(3.63) gives

$$g_t^\ell \in [\delta_*, c_*], \quad \widehat{g}_\xi \in \left[ \frac{a}{4r'_*}, 1 - \frac{a}{4r'_*} \right]. \quad (3.66)$$

Using this bound (3.66) on the derivatives, we have

$$r^{*, \ell} \leq r_* + r_* \left[ \frac{T}{r_*} \left( \sup_{[0, T] \times \mathbb{R}} \frac{c_*}{(a/4r'_*)^2} \right) \right] := \widehat{r}^*. \quad (3.67)$$

Now, since  $\widehat{g} \in C^\infty([0, T] \times \mathbb{R})$  is smooth, we necessarily have that

$$\lim_{\ell \rightarrow \infty} \sup_{[0, T] \times [-r'_*, r'_*]} |g^\ell - \widehat{g}| = 0, \quad \lim_{\ell \rightarrow \infty} \sup_{[0, T] \times [-\widehat{r}^*, \widehat{r}^*]} (|g_t^\ell - \widehat{g}_t| + |g_\xi^\ell - \widehat{g}_\xi|) = 0. \quad (3.68)$$

In view of (3.66)–(3.68), and the properties (3.57)–(3.58), (3.60)–(3.61), (3.65) that  $\widetilde{g}$  enjoys, we fix some large enough  $\ell = \ell_*$ , so that  $g := g^{\ell_*}$  satisfies all the desired conditions (3.34)–(3.38) and (3.22)–(3.23).  $\square$

The next lemma allows us to localize the dependence on initial conditions. Hereafter, we adopt the convention  $\inf \emptyset := \infty$  and  $\sup \emptyset := -\infty$ . To setup notations, define, for  $f \in \mathcal{E}$ ,  $b, x_0 \in \mathbb{Z}$ ,

$$k^+(f, b, x_0) := \inf\{x \in \mathbb{Z} \cap [x_0, \infty) : f(x) \geq b\}, \quad (3.69a)$$

$$k^-(f, b, x_0) := \sup\{x \in \mathbb{Z} \cap (-\infty, x_0] : f(x) - x \geq b - x_0\}, \quad (3.69b)$$

$$\mathcal{V}(f, b, x_0) := [k^-(f, b, x_0), k^+(f, b, x_0)] \cap \mathbb{Z}. \quad (3.69c)$$

**Lemma 3.9.** *Let  $h^1$  denote a generic, pre-scale TASEP height process, with initial condition  $h^1(0) = f \in \mathcal{E}_{\mathbb{Z}}$ , and let  $b, x_0 \in \mathbb{Z}$ ,  $t_0 \in [0, NT]$ .*

- (a) *The event  $\{h^1(t, x_0) < b\}$  depends on the initial condition  $f$  only through its restriction onto  $\mathcal{V}(f, b, x_0)$ . That is, given any other process  $h^2$  such that  $h^2(0)|_{\mathcal{V}(f, b, x_0)} = f|_{\mathcal{V}(f, b, x_0)}$ , (under the prescribed basic coupling) we have*

$$\{h^1(t_0, x_0) < b\} = \{h^2(t_0, x_0) < b\}.$$

- (b) *Similarly, the event  $\{h^1(t_0, x_0) > b\}$  dependent on  $f$  only through its restriction onto  $\mathcal{V}(f, b, x_0)$ .*

*Proof.* The proof of Part (a) and (b) are similar, so we consider only the former. The proof goes through the correspondence between surface growths and particle systems. More precisely, let

$$Y_n(t) := \inf\{y \in \frac{1}{2} + \mathbb{Z} : h^1(t, y + \frac{1}{2}) \geq n\}, \quad n \in \mathbb{Z}. \quad (3.70)$$

Referring back the correspondence (1.2)–(1.3) between height profiles and particle configurations, one readily verifies that  $\{\dots < Y_1(t) < Y_2(t) < \dots\}$  gives the trajectories of the corresponding particles. Let  $f^* := \lim_{x \rightarrow \infty} f(x) \in \mathbb{Z} \cup \{\infty\}$  and  $f_* := \lim_{x \rightarrow -\infty} f(x) \in \mathbb{Z} \cup \{-\infty\}$ . Note that, by definition,  $Y_n(t) \equiv \infty, \forall n > f^*$  and  $Y_n(t) \equiv -\infty, \forall n \leq f_*$ , so we allow phantom particles to be placed at  $\pm\infty$  if  $f^* < \infty$  or  $f_* > -\infty$ . In addition to particles, we also consider the trajectories of holes (i.e., empty sites). Let

$$\tilde{Y}_n(t) := \sup\{y \in \frac{1}{2} + \mathbb{Z} : h^1(t, y - \frac{1}{2}) - (y - \frac{1}{2}) \geq n\}, \quad n \in \mathbb{Z}. \quad (3.71)$$

The holes  $\{\dots < \tilde{Y}_2(t) < \tilde{Y}_1(t) < \dots\}$  evolve under the reverse dynamics of the particles: each  $\tilde{Y}_n$  attempts to jump to the *right* in continuous time, under the exclusion rule.

Fix  $x_0, b \in \mathbb{Z}$ ,  $t_0 \in [0, NT]$ . Under the preceding setup, we have

$$\{h^1(t_0, x_0) < b\} = \{Y_b(t_0) > x_0\} = \{\tilde{Y}_{b-x_0}(t_0) < x_0\}.$$

Also, from (3.69)–(3.71), it is straightforward to verify that

$$Y_b(0) + \frac{1}{2} = k^+(f, b, x_0), \quad \tilde{Y}_{b-x_0}(0) - \frac{1}{2} = k^-(f, b, x_0). \quad (3.72)$$

Indeed, since particles in TASEP always jumps to the left, all the particles  $\{Y_n\}_{n > b}$  to the right of  $Y_b$  do not affect the motion of  $Y_b$ . In particular, the event  $\{Y_b(t_0) > x_0\}$  is independent of  $\{Y_n(0)\}_{n > b}$ . Translating this statement into the language of height function using (3.72), we conclude that  $\{h^1(t_0, x_0) < b\}$  is independent of  $f(x)|_{x > k^+(f, b, x_0)}$ . The same argument applied to holes in places of particles shows that  $\{h^1(t_0, x_0) < b\}$  is independent of  $f(x)|_{x < k^-(f, b, x_0)}$ .  $\square$

We now prove Theorem 1.3(b).

*Proof of Theorem 1.3(b).* Indeed, the lower bound (1.23), is equivalent to the following statement

$$\liminf_{N \rightarrow \infty} \frac{1}{N^2} \log \mathbf{P}_N(h_N \in \mathcal{O}) \geq -I^{(2)}(h_*), \quad \forall h_* \in \mathcal{O} \subset \mathcal{D}, \quad \mathcal{O} \text{ open}. \quad (3.73)$$

To show (3.73), we fix  $h_* \in \mathcal{O} \subset \mathcal{D}$  hereafter, and assume without lost of generality  $I^{(2)}(h_*) < \infty$ . Under such an assumption,  $h_*$  is necessarily continuous (otherwise it is straightforward to show that  $\tilde{I}(h_*) = \infty$ ). This being the case, there exist  $a > 0$  and  $r_0 < \infty$  such that  $\mathcal{U}_{3a, r_0}(h_*) \subset \mathcal{O}$ . Hence it suffices to show

$$\liminf_{N \rightarrow \infty} \frac{1}{N^2} \log \mathbf{P}_N(h_N \in \mathcal{U}_{3a, r_0}(h_*)) \geq -I^{(2)}(h_*). \quad (3.74)$$

The step is to approximate  $h_*$  with  $g$  of the form described in Proposition 3.5. Fix  $\varepsilon_* \in (0, \frac{a}{7}]$ . We apply Lemma 3.6 with the prescribed  $a$ ,  $r_0$ ,  $\varepsilon_*$  and  $h_*$ , to obtain a  $\mathcal{D}$ -valued,  $\Sigma(\frac{T}{\ell_*}, \frac{r_*}{\ell_*})$ -piecewise linear function  $g$  that satisfies (3.34)–(3.38), together with  $\ell_* \in \mathbb{N}$  and  $r_*, r'_0 \geq r_0$ . Write  $g^{\text{ic}} := g(0)$ . Next, we discretize  $g^{\text{ic}}$

to obtain  $\mathbf{g}^{\text{ic}}(x) := \lfloor Ng(\frac{x}{N}) \rfloor$ . Indeed, with  $g^{\text{ic}} \in \mathcal{E}$ , this defines a  $\mathcal{E}_{\mathbb{Z}}$ -valued (see (1.1)) profile. Also, one readily check that the corresponding scaled  $\mathbf{g}_N^{\text{ic}}$  profile does converge to  $g^{\text{ic}}$ , i.e.,

$$\lim_{N \rightarrow \infty} d_{C(\mathbb{R})}(\mathbf{g}_N^{\text{ic}}, g^{\text{ic}}) = 0. \quad (3.75)$$

Let  $\mathbf{g}_N(t, \xi)$  denote the TASEP height process starting from  $\mathbf{g}_N^{\text{ic}}$ . We apply Proposition 3.5\* with the prescribed  $\varepsilon_* \leq \frac{a}{5}$ ,  $r_* \geq r_0$  and  $g$  to get

$$\liminf_{N \rightarrow \infty} \frac{1}{N^2} \log \mathbf{P}_N \left( \mathbf{g}_N \in \mathcal{U}_{\frac{a}{5}, r_*}(g) \right) \geq - \int_0^T \int_{\mathbb{R}} J^{(2)}(g_t, g_\xi) dt d\xi - \int_0^T \int_{r_* \leq |\xi| \leq r_*^*} \bar{\psi} \left( \frac{gt}{g_\xi(1-g_\xi)} \right) dt d\xi - \varepsilon_*.$$

Further use (3.35)–(3.36) to bound the r.h.s. by  $-I^{(2)}(h^*) - 3\varepsilon_*$  from below, we obtain

$$\liminf_{N \rightarrow \infty} \frac{1}{N^2} \log \mathbf{P}_N \left( \mathbf{g}_N \in \mathcal{U}_{\frac{a}{5}, r_0}(g) \right) \geq -I^{(2)}(h^*) - 3\varepsilon_*. \quad (3.76)$$

The next step is to relate the l.h.s. of (3.76) to a bound on  $\frac{1}{N^2} \log \mathbf{P}_N(\mathbf{h}_N \in \mathcal{U}_{3, r_0}(h^*))$ . To this end, we consider the super-process  $\bar{\mathbf{g}}$  and sub-process  $\underline{\mathbf{g}}$ , which are TASEP height processes starting from the following shifted initial conditions:

$$\bar{\mathbf{g}}^{\text{ic}} := \mathbf{g}^{\text{ic}} + \lfloor Na \rfloor, \quad \underline{\mathbf{g}}^{\text{ic}} := \mathbf{g}^{\text{ic}} - \lfloor Na \rfloor. \quad (3.77)$$

Recall from (3.21) that height processes are shift-invariant, so, in fact,  $\bar{\mathbf{g}}(t) = \mathbf{g}(t) + \lfloor Na \rfloor$  and  $\underline{\mathbf{g}}(t) = \mathbf{g}(t) - \lfloor Na \rfloor$ ,  $\forall t \in [0, NT]$ . In particular,

$$\{ \mathbf{g}_N \in \mathcal{U}_{\frac{a}{5}, r_0}(g) \} \subset (\bar{\mathcal{A}}(\bar{\mathbf{g}}_N) \cap \underline{\mathcal{A}}(\underline{\mathbf{g}}_N)), \quad (3.78)$$

where

$$\begin{aligned} \bar{\mathcal{A}}(\bar{\mathbf{g}}_N) &:= \left\{ \bar{\mathbf{g}}_N(t, \frac{x}{N}) < g(t, \frac{x}{N}) + a + \frac{a}{5}, \forall (t, \frac{x}{N}) \in [0, T] \times [-r_0, r_0] \right\}, \\ \underline{\mathcal{A}}(\underline{\mathbf{g}}_N) &:= \left\{ \underline{\mathbf{g}}_N(t, \frac{x}{N}) > g(t, \frac{x}{N}) - a - \frac{a}{5}, \forall (t, \frac{x}{N}) \in [0, T] \times [-r_0, r_0] \right\}. \end{aligned}$$

Furthermore, rewriting (3.34) for  $t = 0$  as  $g(0, \xi) - a < h^*(0, \xi) < g(0, \xi) + a$ ,  $\forall \xi \in [-r'_*, r'_*]$ , and combining this with (3.77), (1.21) and (3.75), we obtain

$$\underline{\mathbf{g}}^{\text{ic}}(x) < \mathbf{h}^{\text{ic}}(x) < \bar{\mathbf{g}}^{\text{ic}}(x), \quad \forall x \in [-Nr'_*, Nr'_*], \quad (3.79)$$

for all  $N$  large enough.

Our goal is to utilize the ordering property (3.20) to *sandwich* the process  $\mathbf{h}(t)$  in between the super- and sub-processes. However, in order for (3.20) to apply, we need the inequality in (3.79) to hold for all  $x \in \mathbb{Z}$ , not just  $x \in [Nr^-, Nr^+]$ . With this in mind, writing  $[-Nr'_*, Nr'_*] \cap \mathbb{Z} = [-x'_*, x'_*]$ ,  $x'_* \in \mathbb{N}$ , we perform the following surgery on  $\bar{\mathbf{g}}(0)$  and  $\underline{\mathbf{g}}(0)$ :

$$\begin{aligned} \mathbf{g}^{*, \text{ic}}(x) &:= \begin{cases} \bar{\mathbf{g}}^{\text{ic}}(x) & , \text{ for } x \in [-x'_*, x'_*], \\ \bar{\mathbf{g}}^{\text{ic}}(x'_*) + |x - x'_*| & , \text{ for } x \in (x'_*, \infty), \\ \bar{\mathbf{g}}^{\text{ic}}(-x'_*) & , \text{ for } x \in (-\infty, -x'_*), \end{cases} \\ \mathbf{g}_*^{\text{ic}}(x) &:= \begin{cases} \underline{\mathbf{g}}^{\text{ic}}(x) & , \text{ for } x \in [-x'_*, x'_*], \\ \underline{\mathbf{g}}^{\text{ic}}(x'_*) & , \text{ for } x \in (x'_*, \infty), \\ \underline{\mathbf{g}}^{\text{ic}}(-x'_*) - |x + x'_*| & , \text{ for } x \in (-\infty, -x'_*). \end{cases} \end{aligned}$$

This gives  $\mathbf{g}_*^{\text{ic}}(x) < \mathbf{h}^{\text{ic}}(x) < \mathbf{g}^{*, \text{ic}}(x)$ ,  $\forall x \in \mathbb{Z}$ . Let  $\mathbf{g}^*$  and  $\mathbf{g}_*$  denote the height processes starting from  $\mathbf{g}_*^{\text{ic}}$  and  $\mathbf{g}^{*, \text{ic}}$ , respective. We then have

$$\mathbf{g}_*(t, x) < \mathbf{h}(t, x) < \mathbf{g}^*(t, x), \quad \forall (t, x) \in [0, TN] \times \mathbb{Z}. \quad (3.80)$$

Next, recall the definition of  $k_{\pm}(\mathbf{f}, b, x)$  and  $\mathcal{V}(\mathbf{f}, b, x)$  from (3.69). By Lemma 3.9, the event  $\bar{\mathcal{A}}(\bar{\mathbf{g}}_N)$  depends on  $\bar{\mathbf{g}}^{\text{ic}}$  only through  $\bar{\mathbf{g}}^{\text{ic}}|_{\mathcal{V}}$ , where

$$\mathcal{V} := \bigcup_{t \in [0, NT]} \bigcup_{x \in [-Nr_0, Nr_0]} \mathcal{V}(\bar{\mathbf{g}}^{\text{ic}}, \beta_N, x), \quad \beta_N(t, x) := \lceil N(g(t, \frac{x}{N}) + a + \frac{a}{5}) \rceil.$$

Referring to (3.69a)–(3.69b) and (3.37)–(3.38), we have that

$$\lim_{N \rightarrow \infty} \sup \left\{ \frac{1}{N} k^+(\bar{\mathbf{g}}^{\text{ic}}, \beta_N(t, x), x) : x \in [-Nr_0, Nr_0] \right\}$$

$$\begin{aligned}
&= \inf \left\{ \xi \geq r_0 : g(0, \xi) + a > \left( \sup_{[0, T] \times [-r_0, r_0]} g \right) + a + \frac{a}{5} \right\} < r'_*, \\
&\liminf_{N \rightarrow \infty} \left\{ \frac{1}{N} k^- (\bar{\mathbf{g}}^{\text{ic}}, \beta_N(t, x), x) : x \in [-Nr_0, Nr_0] \right\} \\
&= \sup \left\{ \xi \leq -r_0 : g(0, \xi) + a - \xi > \left( \sup_{[0, T] \times [-r_0, r_0]} g(t, \xi) - \xi \right) + a + \frac{a}{5} \right\} > -r'_*.
\end{aligned}$$

Consequently,  $\mathcal{V} \subset [-Nx'_*, Nx'_*]$ , for all  $N$  large enough. Since, by construction,  $\mathbf{g}^{*, \text{ic}}|_{[-Nx'_*, Nx'_*]} = \bar{\mathbf{g}}^{\text{ic}}|_{[-Nx'_*, Nx'_*]}$ , we thus have  $\bar{\mathcal{A}}(\bar{\mathbf{g}}_N) = \bar{\mathcal{A}}(\mathbf{g}_N^*)$ . A similar argument also gives  $\underline{\mathcal{A}}(\underline{\mathbf{g}}_N) = \underline{\mathcal{A}}(\mathbf{g}_{*, N})$ . Referring back to (3.78), we now have  $\{\mathbf{g}_N \in \mathcal{U}_{\frac{a}{5}, r_0}(h^*)\} \subset (\bar{\mathcal{A}}(\mathbf{g}_N^*) \cap \underline{\mathcal{A}}(\mathbf{g}_{*, N}))$ . Combining this with (3.80) gives

$$\{\mathbf{g}_N \in \mathcal{U}_{\frac{a}{5}, r_0}(g)\} \subset \{\mathbf{h}_N \in \mathcal{U}_{(1+\frac{1}{5})a, r_0}(g)\}. \quad (3.81)$$

Since  $g$  satisfies (3.34) and since  $r'_* \geq r_0$ , we have  $\mathcal{U}_{(1+\frac{1}{5})a, r_0}(g) \subset \mathcal{U}_{(2+\frac{1}{5})a, r_0}(h^*) \subset \mathcal{U}_{3a, r_0}(h^*)$ . Using this to replace  $\mathcal{U}_{(1+\frac{1}{5})a, r_0}(g)$  by  $\mathcal{U}_{3a, r_0}(h^*)$  in (3.81), and inserting the result into (3.76), we arrive at

$$\liminf_{N \rightarrow \infty} \frac{1}{N^2} \log \mathbf{P}_N(\mathbf{h}_N \in \mathcal{U}_{3a, r_0}(h^*)) \geq -I^{(2)}(h_*) - 3\varepsilon_*.$$

Since  $\varepsilon_* \in (0, \frac{a}{5}]$  is arbitrary, letting  $\varepsilon_* \downarrow 0$  gives the desired result (3.74).  $\square$

#### 4. UPPER BOUND: PROOF OF PROPOSITION 3.4

**4.1. The Conditioned Law  $\mathbf{Q}_N$ .** Recall from (3.16) the definition of the tubular set  $\mathcal{U}_{a, r}(g)$ . This purpose of this subsection is to prepare a few basic properties of the conditioned law  $\mathbf{Q}_N$  as in (3.17). Roughly speaking, Proposition 4.4–4.5 in the following assert that the conditioned law  $\mathbf{Q}_N$  is written as a perturbed TASEP, where the underlying Poisson clocks have rates  $\lambda(t, x, \mathbf{h}(t))$  that vary over  $(t, x)$  and depend on the current configuration  $\mathbf{h}(t)$  at the given time. In a finite state space setting (e.g., TASEP on the circle  $\mathbb{Z}/(N\mathbb{Z})$ ) such a result follows at once by standard theories. For the TASEP on the full line  $\mathbb{Z}$  considered here, as we cannot identify a complete proof of Proposition 4.4–4.5 in the literature, we include a brief, self-contained treatment in this subsection.

For the rest of this subsection, fix  $a > 0, r < \infty$ , a continuous deviation  $g \in \mathcal{D} \cap C([0, T], \mathcal{E})$ , and let  $\mathcal{U} = \mathcal{U}_{a, r}(g)$  denote the tubular set around  $g$ . Scaling is irrelevant in this subsection, we often drop the dependence on  $N$ , e.g., writing  $\mathbf{P}$  in place of  $\mathbf{P}_N$ . Hereafter, for a given  $v \in \mathbb{R}$ ,  $\lfloor v \rfloor := \inf\{i \in \mathbb{Z} : v \leq i\}$  and  $\lceil v \rceil := \sup\{i \in \mathbb{Z} : i \leq v\}$  denote the correspond round-up and round-down. We write the tubular set  $\mathcal{U}$  as

$$\mathcal{U} = \bigcap_{t \in [0, NT]} \{\mathbf{h}(t) \in \mathcal{B}(t)\}, \quad (4.1)$$

$$\mathcal{B}(t) := \bigcap_{x \in [-k_0, k_0]} \mathcal{B}(t, x), \quad \mathcal{B}(t, x) := \{\mathbf{f} \in \mathcal{E}_{\mathbb{Z}} : \underline{\mathbf{b}}(t, x) < \mathbf{f}(x) < \bar{\mathbf{b}}(t, x)\}, \quad (4.2)$$

where  $[-k_0, k_0] = [-Nr, Nr] \cap \mathbb{Z}$ , and  $t \mapsto \bar{\mathbf{b}}(t, x), \underline{\mathbf{b}}(t, x)$  are the upper and lower envelopes, given by  $\bar{\mathbf{b}}(t, x) := \lim_{\varepsilon \downarrow 0} \lceil N(g(t, \frac{x}{N}) + a) + \varepsilon \rceil$  and  $\underline{\mathbf{b}}(t, x) := \lim_{\varepsilon \downarrow 0} \lfloor N(g(t, \frac{x}{N}) - a) - \varepsilon \rfloor$ .

Let us first step up a few notations. Define

$$\mathcal{E}_{\mathbb{Z}}(\mathbf{h}^{\text{ic}}) := \left\{ \mathbf{f} \in \mathcal{E}_{\mathbb{Z}} : \mathbf{f}(x) \geq \mathbf{h}^{\text{ic}}(x), \forall x \in \mathbb{Z} \right\}. \quad (4.3)$$

Indeed, the space  $\mathcal{E}_{\mathbb{Z}}(\mathbf{h}^{\text{ic}})$  contains the set of all possible configurations  $\mathbf{h}(t)$  of the TASEP height process starting from  $\mathbf{h}^{\text{ic}}$ , (because TASEP height function *grows* in time). We say  $F : \mathcal{E}_{\mathbb{Z}}(\mathbf{h}^{\text{ic}}) \rightarrow \mathbb{R}$  and  $G : [0, NT] \times \mathcal{E}_{\mathbb{Z}}(\mathbf{h}^{\text{ic}}) \rightarrow \mathbb{R}$  are **local**, with support  $\mathcal{V} = [k^-, k^+]$ , if,

$$\begin{aligned}
F(\mathbf{f}^1) &= F(\mathbf{f}^2), \quad \forall \mathbf{f}^1, \mathbf{f}^2 \text{ such that } \mathbf{f}^1|_{\mathcal{V}} = \mathbf{f}^2|_{\mathcal{V}}, \\
G(t, \mathbf{f}^1) &= G(t, \mathbf{f}^2), \quad \forall t \in [0, NT], \forall \mathbf{f}^1, \mathbf{f}^2 \in \text{ such that } \mathbf{f}^1|_{\mathbb{Z} \cap [-k, k]} = \mathbf{f}^2|_{\mathcal{V}}.
\end{aligned}$$

Namely,  $F, G$  are local with support  $\mathcal{V}$  if they reduce to functions on  $\mathbb{Z}^{\mathbb{Z} \cap \mathcal{V}}$  and  $[0, T] \times \mathbb{Z}^{\mathbb{Z} \cap \mathcal{V}}$ , respectively.

**Remark 4.1.** We emphasize here that our definition of local functions differs slightly from standard terminologies. In the conventional setup, one considers a Markov process with a state space  $\mathcal{S}$ , and functions  $F : \mathcal{S} \rightarrow \mathbb{R}, G : [0, NT] \times \mathcal{S} \rightarrow \mathbb{R}$  that act on the *entire* state space  $\mathcal{S}$ . Under such a setup, functions are



local if they have finite supports, independent of the initial conditions of the process. Here, unlike the conventional setup, we have *fixed* the initial condition  $\mathbf{h}^{\text{ic}}$ , and consider functions  $F, G$  that act on the subspace  $\mathcal{E}_{\mathbb{Z}}(\mathbf{h}^{\text{ic}})$ . The supports of functions consider here may refer to  $\mathbf{h}^{\text{ic}}$  in general.

Define, for  $\mathbf{f} \in \mathcal{E}_{\mathbb{Z}}(\mathbf{h}^{\text{ic}})$ , Doob's conditioning function

$$q(t, \mathbf{f}) := \mathbf{P} \left( \bigcap_{s \in [t, NT]} \{h(s) \in \mathcal{B}(s)\} \mid h(t) = \mathbf{f} \right). \quad (4.4)$$

This function is the building block of various properties of the conditioned law  $\mathbf{Q}_N$ . We begin by showing the following.

**Lemma 4.2.** *The function (4.4) is local, and,  $t \mapsto q(t, \mathbf{f})$  is Lipschitz, uniformly over  $[0, NT] \times \mathcal{E}_{\mathbb{Z}}(\mathbf{h}^{\text{ic}})$ . The derivative is given by*

$$\frac{d}{dt} q(t, \mathbf{f}) = -(Lq(t, \mathbf{f})) \mathbf{1}_{\mathcal{B}(t)}(\mathbf{f}), \quad (4.5)$$

for all  $(t, \mathbf{f}) \in [0, NT] \times \mathcal{E}_{\mathbb{Z}}(\mathbf{h}^{\text{ic}})$  where  $\frac{d}{dt} q(t, \mathbf{f})$  is defined.

*Proof.* We begin by showing that  $q(t, \mathbf{f})$  is local. With  $g$  being continuous, the upper and lower envelopes  $t \mapsto \bar{\mathbf{b}}(t, x), \underline{\mathbf{b}}(t, x)$  are necessarily  $D([0, NT], \mathbb{Z})$ -valued. We enumerate the discontinuity of  $t \mapsto \underline{\mathbf{b}}(t, x)$  and  $t \mapsto \bar{\mathbf{b}}(t, x)$ ,  $x \in [-k_0, k_0]$ , within  $t \in [0, NT]$  as  $0 \leq t_1 < t_1 < \dots < t_{n-1} < NT$ , set  $t_0 = 0$  and  $t_n = NT$  for consistency of notations. Under such notations, we write

$$\bigcap_{s \in [t, NT]} \{h(s) \in \mathcal{B}(s)\} = \bigcap_{x \in [-k_0, k_0]} \left( \bigcap_{i=1}^{n-1} \bigcap_{s \in [t_{i-1}, t_i] \cap [t, NT]} \{h(s, x) > \underline{\mathbf{b}}(t_i, x)\} \cap \{h(s, x) < \bar{\mathbf{b}}(t_i, x)\} \right. \\ \left. \cap \{h(t_n, x) > \underline{\mathbf{b}}(t_n, x)\} \cap \{h(t_n, x) < \bar{\mathbf{b}}(t_n, x)\} \right). \quad (4.6)$$

Our goal is to show that, the probability of the event (4.6), conditioned on  $h(t) = \mathbf{f}$ , depends on  $\mathbf{f}$  in a local fashion. Recall the notations  $k_{\pm}(\mathbf{f}, b, x)$  and  $\mathcal{V}(\mathbf{f}, b, x)$  from (3.69). View  $\mathbf{f}$  as the initial condition of the TASEP starting at time  $t$ . Lemma 3.9 asserts that the event  $\{h(s, x) < b\}$  depends on  $\mathbf{f}$  only through  $\mathbf{f}|_{\mathcal{V}(\mathbf{f}, b, x)}$ . We say  $\mathbf{f}^1 \geq \mathbf{f}^2 \in \mathcal{E}_{\mathbb{Z}}$ , if  $\mathbf{f}^1(x) \geq \mathbf{f}^2(x)$ ,  $\forall x \in \mathbb{Z}$ . From (3.69), one readily checks that  $\mathcal{V}(\mathbf{f}^1, b, x) \subset \mathcal{V}(\mathbf{f}^2, b, x)$ , if  $\mathbf{f}^1 \geq \mathbf{f}^2$ . Further, recall from (4.3) that  $\mathbf{f} \geq \mathbf{h}^{\text{ic}}$ ,  $\forall \mathbf{f} \in \mathcal{E}_{\mathbb{Z}}(\mathbf{h}^{\text{ic}})$ , so in particular  $\mathcal{V}(\mathbf{f}, b, x) \subset \mathcal{V}(\mathbf{h}^{\text{ic}}, b, x)$ . Now, if  $\mathcal{V}(\mathbf{h}^{\text{ic}}, b, x)$  is an unbounded interval, i.e.,  $k^+(\mathbf{h}^{\text{ic}}, \bar{\mathbf{b}}(s, x), x) = \infty$  or  $k^-(\mathbf{h}^{\text{ic}}, \bar{\mathbf{b}}(s, x), x) = -\infty$ , is it straightforward to verify that  $\{h(s) < b, \forall s \in [0, NT]\}$  must hold. In this case,  $\{h(s) < b, \forall s \in [t, NT]\}$  holds regardless of  $\mathbf{f}$ . Consequently, the event  $\{h(s) < b, \forall s \in [t, NT]\}$  depends on  $\mathbf{f}$  only through its restriction onto

$$\mathcal{V}'(\mathbf{h}^{\text{ic}}, b, x) := \begin{cases} \mathcal{V}(\mathbf{h}^{\text{ic}}, b, x), & \text{if } \mathcal{V}(\mathbf{h}^{\text{ic}}, b, x) \text{ is bounded,} \\ \emptyset, & \text{otherwise.} \end{cases}$$

A similar argument shows that  $\{h(s) > b, \forall s \in [t, NT]\}$  depends on  $\mathbf{f}$  only through its restriction onto  $\mathcal{V}'(\mathbf{h}^{\text{ic}}, b, x)$ . Using these properties for  $b = \bar{\mathbf{b}}(t_i, x), \underline{\mathbf{b}}(t_i, x)$ ,  $i = 1, \dots, n$ , and  $x \in [-k_0, k_0]$  in (4.6), we see that the event  $\bigcap_{s \in [t, NT]} \{h(s) \in \mathcal{B}(s)\}$  depends on  $\mathbf{f}$  only through  $\mathbf{f}|_{\mathcal{V}}$ , where  $\mathcal{V}$  is the finite interval

$$\mathcal{V} := \bigcup_{i=1}^n \bigcup_{x \in [-k_0, k_0]} \mathcal{V}'(\mathbf{h}^{\text{ic}}, b, x).$$

This concludes the locality of Doob's function  $q(t, \mathbf{f})$ .

Next we turn to the Lipschitz continuity. Fix  $t_1 < t_2 \in [0, NT]$ . Referring back to (4.4), we have that

$$q(t_1, \mathbf{f}) = \mathbf{E}(q(t_2, h(t_2)) \mathbf{1}_{\bigcap_{s \in [t_1, t_2]} \{h(s) \in \mathcal{B}(s)\}} \mid h(t_1) = \mathbf{f}). \quad (4.7)$$

Let  $V$  denote the event that none of the underlying Poisson clocks among sites  $x \in [-k_0, k_0]$  ever ring during  $s \in [t_1, t_2]$ . On the event  $V$ , we have that  $q(t_2, h(t_2)) \mathbf{1}_{\bigcap_{s \in [t_1, t_2]} \{h(s) \in \mathcal{B}(s)\}} = q(t_2, h(t_1))$ . Using this in (4.7) gives

$$q(t_1, \mathbf{f}) = q(t_2, \mathbf{f}) \mathbf{P}(V) + \mathbf{E}(q(t_2, h(t_2)) \mathbf{1}_{\bigcap_{s \in [t_1, t_2]} \{h(s) \in \mathcal{B}(s)\}} \cap V^c \mid h(t_1) = \mathbf{f}). \quad (4.8)$$

For the event  $V$ , there exists a constant  $c < \infty$ , depending only on  $k_0$ , such that  $\mathbf{P}(V) \geq 1 - c|t_2 - t_1|$ . Using this in (4.8) gives

$$|q(t_1, \mathbf{f}) - q(t_2, \mathbf{f})| \leq cq(t_2, \mathbf{f})|t_2 - t_1| \leq c|t_2 - t_1|.$$

This concludes the Lipschitz continuity of  $t \mapsto q(t, \mathbf{f})$ .

To show (4.5), fix  $t_1$  and let  $\sigma := \inf\{s \geq t_1 : \mathbf{h}(s) \notin \mathcal{B}(s)\}$  to be the first hitting time for  $\mathbf{h}(s)$  to be outside of the tubular set  $\mathcal{U}$ . Since, by definition,  $q(t, \mathbf{f}) = 0$  for  $\mathbf{f} \notin \mathcal{B}(t)$ , we have that

$$q(t_2, \mathbf{h}(t_2)) \mathbf{1}_{\cap_{s \in [t_1, t_2]} \{\mathbf{h}(s) \in \mathcal{B}(s)\}} = q(t_2 \wedge \sigma, \mathbf{h}(t_2 \wedge \sigma)). \quad (4.9)$$

Since  $q(t, \mathbf{f})$  is local and uniformly Lipschitz in  $t$ , we have that

$$t \mapsto q(t, \mathbf{h}(t)) - \int_{t_1}^t (\partial_t + L)q(t, \mathbf{h}(s))ds \quad (4.10)$$

is a  $\mathbf{P}$ -martingale. Furthermore, with  $q(t, \mathbf{f})$  being local and uniformly Lipschitz in  $t$ , the process (4.10) is bounded. Hence the localized process

$$t \mapsto q(t \wedge \sigma, \mathbf{h}(t \wedge \sigma)) - \int_{t_1}^{t \wedge \sigma} (\partial_t + L)q(s, \mathbf{h}(s))ds$$

is also a  $\mathbf{P}$ -martingale. Combining this with (4.9) and (4.7) gives

$$\mathbf{E} \left( \int_{t_1}^{t_2 \wedge \sigma} (\partial_t + L)q(s, \mathbf{h}(s))ds \middle| \mathbf{h}(t_1) = \mathbf{f} \right) = 0. \quad (4.11)$$

Now, consider the case  $\mathbf{h}(t_1) = \mathbf{f} \in \mathcal{B}(t_1)$ . In this case we necessarily have  $\sigma > t_1$ . Hence, for fixed  $t_1$ , almost surely as  $t_2 \downarrow t_1$ ,

$$\frac{1}{t_2 - t_1} \int_{t_1}^{t_2 \wedge \sigma} (\partial_t + L)q(s, \mathbf{h}(s))ds \longrightarrow (\partial_t + L)q(t_1, \mathbf{h}(t_1)). \quad (4.12)$$

With  $q(t, \mathbf{f})$  being local and uniformly Lipschitz in  $t$ , the l.h.s. of (4.12) is uniformly bounded over  $t_2 \in (t_1, NT]$ . Hence the almost sure convergence (4.12) give convergence in expectation, i.e.,

$$\frac{1}{t_2 - t_1} \mathbf{E} \left( \int_{t_1}^{t_2 \wedge \sigma} (\partial_t + L)q(s, \mathbf{h}(s))ds \middle| \mathbf{h}(t_1) = \mathbf{f} \right) \longrightarrow \partial_t q(t_1, \mathbf{h}(t_1)) + Lq(t_1, \mathbf{h}(t_1)). \quad (4.13)$$

Combining (4.13) with (4.11) gives (4.5), for the case  $\mathbf{f} \in \mathcal{B}(t_1)$ . For the case  $\mathbf{f} = \mathbf{h}(t_1) \notin \mathcal{B}(t_1)$ , since the envelopes  $\bar{\mathbf{b}}(t, x)$  and  $\underline{\mathbf{b}}(t, x)$  are right-continuous in  $t$ , we have that  $q(t_2, \mathbf{f}) = 0 = q(t_1, \mathbf{f})$ , for all  $0 < t_2 - t_1$  small enough. Hence  $\partial_t q(t_1, \mathbf{f}) = 0$  and (4.5) follows.  $\square$

The next step is to derive the Itô formula for  $\mathbf{h}$  under the conditioned law  $\mathbf{Q}$ . To this end, define, for  $\mathbf{f} \in \mathcal{E}_{\mathbb{Z}}(\mathbf{h}^{ic})$ , the perturbed rate

$$\lambda(t, x, \mathbf{f}) := \frac{q(t, \mathbf{f}^x)}{q(t, \mathbf{f})}. \quad (4.14)$$

Recall that  $\mathbf{f}^x := \mathbf{f} + \mathbf{1}_{\{x\}}$  and recall from (1.4) that  $\phi(\mathbf{f}, x)$  denotes the mobility function. We consider the perturbed, time-dependent generator acting on local  $\mathbf{f}$ :

$$(\tilde{L}(t)F)(\mathbf{f}) := \begin{cases} \sum_{x \in \mathbb{Z}} \lambda(t, x, \mathbf{f}) \phi(\mathbf{f}, x) (F(\mathbf{f}^x) - F(\mathbf{f})), & \text{if } \mathbf{f} \in \mathcal{B}(t), \\ 0, & \text{otherwise.} \end{cases} \quad (4.15)$$

Since the term  $1/q(t, \mathbf{f})$  is unbounded in general, the expression (4.15) could potentially cause issues when integrating  $\tilde{L}(t)F$  over  $\mathbf{E}_{\mathbf{Q}}$ . We show in the next lemma that this is not the case.

**Lemma 4.3.** *For all  $t \in [0, NT]$ ,*

$$\mathbf{E}_{\mathbf{Q}} \left( \frac{1}{q(t, \mathbf{h}(t))} \right) \leq \frac{1}{q(0, \mathbf{h}^{ic})}. \quad (4.16)$$

*In particular, for any local, bounded  $G : [0, NT] \times \mathcal{E}_{\mathbb{Z}}(\mathbf{h}^{ic}) \rightarrow \mathbb{R}$  with support  $\mathcal{V}$ ,*

$$\mathbf{E}_{\mathbf{Q}} \left| \tilde{L}(t)G(t, \mathbf{h}(t)) \right| \leq \frac{\#(\mathcal{V} \cap \mathbb{Z})}{q(0, \mathbf{h}^{ic})} \|G(t, \cdot)\|_{\infty}.$$

*Proof.* Indeed, since  $\mathbf{Q}$  is the conditioned law around the tubular set  $\mathcal{U}$ , we have

$$\mathbf{E}_{\mathbf{Q}}\left(\frac{1}{q(t, \mathbf{h}(t))}\right) = \frac{1}{q(0, \mathbf{h}^{ic})} \mathbf{E}\left(\frac{1}{q(t, \mathbf{h}(t))} \mathbf{1}_{\cap_{s \in [0, NT]} \{\mathbf{h}(s) \in \mathcal{B}(s)\}}\right). \quad (4.17)$$

Let  $\mathcal{F}_t$  denote the canonical filtration of  $\mathbf{h}(t)$ . We indeed have that

$$\begin{aligned} \mathbf{E}\left(\mathbf{1}_{\cap_{s \in [0, NT]} \{\mathbf{h}(s) \in \mathcal{B}(s)\}} \middle| \mathcal{F}_t\right) &= \mathbf{1}_{\cap_{s \in [0, t]} \{\mathbf{h}(s) \in \mathcal{B}(s)\}} \mathbf{E}\left(\mathbf{1}_{\cap_{s \in [t, NT]} \{\mathbf{h}(s) \in \mathcal{B}(s)\}} \middle| \mathcal{F}_t\right) \\ &= \mathbf{1}_{\cap_{s \in [0, t]} \{\mathbf{h}(s) \in \mathcal{B}(s)\}} q(t, \mathbf{h}(t)). \end{aligned} \quad (4.18)$$

Inserting (4.18) into (4.17) gives the desired result (4.16).  $\square$

We now derive the Itô formula for  $\mathbf{h}$  under the conditional law  $\mathbf{Q}$ .

**Proposition 4.4.** *Let  $G : [0, NT] \times \mathcal{E}_{\mathbb{Z}}(\mathbf{h}^{ic}) \rightarrow \mathbb{R}$  be a bounded local function which is Lipschitz in  $t$ , uniformly over  $[0, NT] \times \mathcal{E}_{\mathbb{Z}}(\mathbf{h}^{ic})$ . We have, for each fixed  $t_1 < t_2 \in [0, NT]$ ,*

$$\mathbf{E}_{\mathbf{Q}} G(t, \mathbf{h}(t)) \Big|_{t=t_1}^{t=t_2} = \mathbf{E}_{\mathbf{Q}} \int_{t_1}^{t_2} \left( \partial_t + \tilde{L}(t) \right) G(t, \mathbf{h}(t)) dt. \quad (4.19)$$

*Proof.* By definition,

$$\mathbf{E}_{\mathbf{Q}}(G(t_2, \mathbf{h}(t_2)) \middle| \mathcal{F}_{t_1}) = \frac{1}{q(t_1, \mathbf{h}(t_1))} \mathbf{E}(G(t_2, \mathbf{h}(t_2)) \mathbf{1}_{\cap_{t \in [t_1, NT]} \{\mathbf{h}(t) \in \mathcal{B}(t)\}} \middle| \mathcal{F}_{t_1}). \quad (4.20)$$

Let  $\sigma := \inf\{t \geq t_1 : \mathbf{h}(t) \in \mathcal{B}(t)^c\}$  be the first time that  $\mathbf{h}$  reaches outside of the tubular set  $\mathcal{U}$ . Using (4.18) for  $[s, t] = [t_1, t_2]$  on the r.h.s. of (4.20), together with  $q(\sigma, \mathbf{h}(\sigma)) = 0$ , we rewrite (4.20) as

$$\begin{aligned} \mathbf{E}_{\mathbf{Q}}(G(t_2, \mathbf{h}(t_2)) \middle| \mathcal{F}_{t_1}) &= \frac{1}{q(t_1, \mathbf{h}(t_1))} \mathbf{E}\left(\mathbf{1}_{\cap_{t \in [t_1, t_2]} \{\mathbf{h}(t) \in \mathcal{B}(t)\}} (qG)(t_2, \mathbf{h}(t_2)) \middle| \mathcal{F}_{t_1}\right) \\ &= \frac{1}{q(t_1, \mathbf{h}(t_1))} \mathbf{E}\left(\mathbf{1}_{\cap_{t \in [t_1, \sigma \wedge t_2]} \{\mathbf{h}(t) \in \mathcal{B}(t)\}} (qG)(t_2 \wedge \sigma, \mathbf{h}(t_2 \wedge \sigma)) \middle| \mathcal{F}_{t_1}\right). \end{aligned} \quad (4.21)$$

Our next step is to express (4.21) in terms of a time integral. To this end, note that since  $(qG)(t, \mathbf{f})$  is bounded, local, and uniformly Lipschitz in  $t$ , the process

$$t \mapsto \int_{t_1}^{t \wedge \sigma} (\partial_t + L)(qG)(t, \mathbf{h}(t)) dt$$

is a  $\mathbf{P}$ -martingale. Consequently,

$$\begin{aligned} \mathbf{E}((qG)(t_2 \wedge \sigma, \mathbf{h}(t_2 \wedge \sigma)) \middle| \mathcal{F}_{t_1}) &= (qG)(t_1, \mathbf{h}(t_1)) + \int_{t_1}^{t_2} \mathbf{E}\left(\mathbf{1}_{\sigma > t_2} (\partial_t + L)(qG)(t, \mathbf{h}(t)) \middle| \mathcal{F}_{t_1}\right) dt \\ &= (qG)(t_1, \mathbf{h}(t_1)) + \int_{t_1}^{t_2} \mathbf{E}\left(\mathbf{1}_{\cap_{s \in [t_1, t]} \{\mathbf{h}(s) \in \mathcal{B}(s)\}} (\partial_t + L)(qG)(t, \mathbf{h}(t)) \middle| \mathcal{F}_{t_1}\right) dt. \end{aligned} \quad (4.22)$$

Next, in (4.22), use (4.18) to write  $\mathbf{1}_{\cap_{s \in [t_1, t]} \{\mathbf{h}(s) \in \mathcal{B}(s)\}} = \frac{1}{q(t, \mathbf{h}(t))} \mathbf{E}(\mathbf{1}_{\cap_{s \in [t_1, NT]} \{\mathbf{h}(s) \in \mathcal{B}(s)\}} \middle| \mathcal{F}_t)$ , and divide the resulting equation (4.22) by  $q(t_1, \mathbf{h}(t_1))$ . We now obtain

$$\frac{1}{q(t_1, \mathbf{h}(t_1))} \mathbf{E}((qG)(t_2 \wedge \sigma, \mathbf{h}(t_2 \wedge \sigma)) \middle| \mathcal{F}_{t_1}) = G(t_1, \mathbf{h}(t_1)) + \int_{t_1}^{t_2} \mathbf{E}_{\mathbf{Q}}\left(\left(\frac{1}{q}(\partial_t + L)(qG)\right)(t, \mathbf{h}(t)) \middle| \mathcal{F}_{t_1}\right) dt.$$

Combining this expression with (4.21) gives

$$\mathbf{E}_{\mathbf{Q}}(G(t_2, \mathbf{h}(t_2)) \middle| \mathcal{F}_{t_1}) = G(t_1, \mathbf{h}(t_1)) + \int_{t_1}^{t_2} \mathbf{E}_{\mathbf{Q}}\left(\left(\frac{1}{q}(\partial_t + L)(qG)\right)(t, \mathbf{h}(t)) \middle| \mathcal{F}_{t_1}\right) dt.$$

Now, move the term  $G(t_1, \mathbf{h}(t_1))$  to the l.h.s., and aver the result over  $\mathbf{E}_{\mathbf{Q}}$ , we arrive at

$$\mathbf{E}_{\mathbf{Q}}(G(t, \mathbf{h}(t))) \Big|_{t=t_1}^{t=t_2} = \int_{t_1}^{t_2} \mathbf{E}_{\mathbf{Q}}\left(\left(\frac{1}{q}(\partial_t + L)(qG)\right)(t, \mathbf{h}(t))\right) dt. \quad (4.23)$$

Finally, a straightforward calculation from the definition (4.15), together with the identity (4.5), gives  $\frac{1}{q}(\partial_t + L)(qG) = (\partial_t + \tilde{L}(t))G$ . Inserting this into (4.23) gives the desired result (4.19).  $\square$

Recall that  $\psi(\lambda)$  denote the rate function for Poisson variables. We next derive an expression for the relative entropy  $H(\mathbf{Q}|\mathbf{P}^h)$ .

**Proposition 4.5.** *The relative entropy of the conditioned  $\mathbf{Q}$  with respect to  $\mathbf{P}$  is given by*

$$H(\mathbf{Q}|\mathbf{P}^h) = \mathbf{E}_{\mathbf{Q}} \left( \int_0^{NT} \sum_{x \in \mathbb{Z}} \phi(\mathbf{h}(t), x) \psi(\lambda(t, x, \mathbf{h}(t))) dt \right). \quad (4.24)$$

*Proof.* From (4.5), we have that

$$\int_0^{NT} \left( \frac{1}{q} (\partial_t + L)q \right)(t, \mathbf{h}(t)) dt = 0, \quad \mathbf{Q}\text{-a.s.} \quad (4.25)$$

Write  $\dot{q}(t, \mathbf{f}) := \frac{d}{dt}q(t, \mathbf{f})$ . Since  $q(t, \mathbf{f})$  is local, the random variables  $Lq = -\dot{q}$  are uniformly bounded, i.e.,

$$|Lq(t, \mathbf{f})|, |\dot{q}(t, \mathbf{f})| \leq c, \quad \forall t \in [0, NT], \mathbf{f} \in \mathcal{B}(t), \quad (4.26)$$

for some  $c < \infty$  depending only on the support of  $q$ . Combining this with Lemma 4.3, we see that the random variables  $\frac{Lq}{q}(t, \mathbf{h}(t))$  and  $\frac{\dot{q}}{q}(t, \mathbf{h}(t))$  are  $L^1$  under  $\mathbf{Q}$ , uniformly over  $t \in [0, NT]$ . Taking expectation  $\mathbf{Q}$  in (4.25) thus gives

$$0 = \mathbf{E}_{\mathbf{Q}} \int_0^{NT} \frac{\dot{q}}{q}(t, \mathbf{h}(t)) dt + \mathbf{E}_{\mathbf{Q}} \int_0^{NT} \frac{Lq}{q}(t, \mathbf{h}(t)) dt. \quad (4.27)$$

With  $\mathbf{Q}$  being the conditioned law around the tubular set  $\mathcal{U}$ , we have  $H(\mathbf{Q}|\mathbf{P}^h) = -\log \mathbf{P}(\mathcal{U}) = -\log q(0, \mathbf{h}^{ic})$ . Subtracting (4.27) from the previous expression gives

$$H(\mathbf{Q}|\mathbf{P}^h) = -\log q(0, \mathbf{h}^{ic}) - \mathbf{E}_{\mathbf{Q}} \int_0^{NT} \frac{\dot{q}}{q}(t, \mathbf{h}(t)) dt - \mathbf{E}_{\mathbf{Q}} \int_0^{NT} \frac{Lq}{q}(t, \mathbf{h}(t)) dt. \quad (4.28)$$

The next step is to apply Proposition 4.4 with the function  $G(t, \mathbf{f}) = \log(q(t, \mathbf{f}))$ . However, such a function is not Lipschitz in  $t$  due to the singularity at  $q(t, \mathbf{f}) = 0$ . We hence introduce a small threshold  $a > 0$ , and apply Proposition 4.4 with  $G(t, \mathbf{f}) = \log(q(t, \mathbf{f}) + a)$ . This gives

$$0 = \mathbf{E}_{\mathbf{Q}} \log \frac{q(NT, \mathbf{h}(NT)) + a}{q(0, \mathbf{h}^{ic}) + a} - \mathbf{E}_{\mathbf{Q}} \int_0^{NT} \frac{\dot{q}}{q+a}(t, \mathbf{h}(t)) dt - \mathbf{E}_{\mathbf{Q}} \int_0^{NT} L \log(q+a)(t, \mathbf{h}(t)) dt. \quad (4.29)$$

Since  $\mathbf{h}(NT) \in \mathcal{B}(NT)$ ,  $\mathbf{Q}$ -a.s., the first term in (4.29) is equal to  $\frac{1+a}{q(0, \mathbf{h}^{ic})+a}$ . Subtracting (4.29) from (4.28), we arrive at

$$H(\mathbf{Q}|\mathbf{P}^h) = H_1 + H_2 + H_3 + \mathbf{E}_{\mathbf{Q}} \int_0^{NT} \left( L \log q - \frac{Lq}{q} \right)(t, \mathbf{h}(t)) dt, \quad (4.30)$$

where

$$H_1 := \log \frac{q(0, \mathbf{h}^{ic}) + a}{(1+a)q(0, \mathbf{h}^{ic})},$$

$$H_2 := \mathbf{E}_{\mathbf{Q}} \int_0^{NT} \left( \frac{\dot{q}}{q+a} - \frac{\dot{q}}{q} \right)(t, \mathbf{h}(t)) dt = \mathbf{E}_{\mathbf{Q}} \int_0^{NT} \left( \frac{a\dot{q}}{(q+a)q} \right)(t, \mathbf{h}(t)) dt,$$

$$H_3 := \mathbf{E}_{\mathbf{Q}} \int_0^{NT} L(\log(q+a) - \log q)(t, \mathbf{h}(t)) dt.$$

A straightforward calculation shows that  $(L \log q - \frac{Lq}{q})(t, \mathbf{f}) = \sum_{x \in \mathbb{Z}} \phi(\mathbf{f}, x) \psi\left(\frac{q(t, \mathbf{f}^x)}{q(t, \mathbf{f})}\right) = \sum_{x \in \mathbb{Z}} \phi(\mathbf{f}, x) \psi(\lambda(t, x, \mathbf{f}))$ .

Refer back to (4.30). It now remains only to show  $H_i \rightarrow 0$ , as  $a \downarrow 0$ , for  $i = 1, 2, 3$ .

Clearly,  $H_1 \rightarrow 0$ , as  $a \downarrow 0$ . As for  $H_2$ , using (4.26) to bound  $|\dot{q}|$ , we have

$$|H_2| \leq \left( \mathbf{E}_{\mathbf{Q}} \int_0^{NT} \frac{ca}{q(t, \mathbf{h}(t))(q(t, \mathbf{h}(t)) + a)} dt \right) = c \left( \mathbf{E}_{\mathbf{Q}} \int_0^{NT} \frac{1}{q(t, \mathbf{h}(t))} dt - \mathbf{E}_{\mathbf{Q}} \int_0^{NT} \frac{1}{q(t, \mathbf{h}(t)) + a} dt \right).$$

By Lemma 4.3 and the monotone convergence theorem, the r.h.s. tends to zero as  $a \downarrow 0$ . Turning to  $H_3$ , we let  $\mathcal{V}$  be a support of  $q$ , and write  $H_3$  as  $H_3 = \mathbf{E}_{\mathbf{Q}} \int_0^{NT} \tilde{H}_3(t) dt$ , where

$$\tilde{H}_3(t) := \sum_{x \in \mathcal{V}} \phi(\mathbf{h}(t), x) \log \frac{q(t, \mathbf{h}^x(t)) + a}{q(t, \mathbf{h}(t)) + a} \frac{q(t, \mathbf{h}(t))}{q(t, \mathbf{h}^x(t))}. \quad (4.31)$$

Clearly,  $\tilde{H}_3(t) \rightarrow 0$  as  $a \downarrow 0$ , and

$$|\tilde{H}_3(t)| \leq \sum_{x \in \mathcal{V}} \log \frac{1}{q(t, \mathbf{h}^x(t))(q(t, \mathbf{h}(t)))} \leq \sum_{x \in \mathcal{V}} \left( \frac{1}{q(t, \mathbf{h}(t))} + \frac{1}{q(t, \mathbf{h}^x(t))} \right). \quad (4.32)$$

By Lemma 4.3, the r.h.s. of (4.32) is  $L^1$  with respect to  $\mathbf{E}_{\mathbf{Q}} \int_0^{NT} dt$ . Consequently, by the dominated convergence theorem,  $H_3 \rightarrow 0$  as  $a \downarrow 0$ .  $\square$

For convenience for referencing, we now summary Proposition 4.4–4.5 in the *scaled* form as follows.

**Corollary 4.6.** *Let  $\mathbf{Q}_N$  be as in (3.17),  $\lambda(t, x, \mathbf{f})$  be as in (4.14), and set  $\lambda_N(t, x, \mathbf{f}) := N^{-1}\lambda(NT, x, \mathbf{f})$ . For each  $t_1 < t_2 \in [0, T]$  and  $x \in \mathbb{Z}$ ,*

$$\mathbf{E}_{\mathbf{Q}_N}(\mathbf{h}_N(t_2, \frac{x}{N}) - \mathbf{h}_N(t_1, \frac{x}{N})) = \mathbf{E}_{\mathbf{Q}_N} \int_{t_1}^{t_2} \phi(\mathbf{h}(Nt), x) \lambda_N(t, x, \mathbf{h}(Nt)) dt, \quad (4.33)$$

$$\frac{1}{N^2} H(\mathbf{Q}_N | \mathbf{P}_N^{\mathbf{h}}) = \mathbf{E}_{\mathbf{Q}_N} \left( \frac{1}{N} \sum_{x \in \mathbb{Z}} \int_0^T \phi(\mathbf{h}(Nt), x) \psi(\lambda_N(t, x, \mathbf{h}(Nt))) dt \right). \quad (4.34)$$

*Proof.* The identity (4.33) essentially follows from Proposition 4.4 for  $G(t, \mathbf{f}) = \mathbf{f}(x)$ . The only twist is that such a function is not bounded above. (Such  $G$  is bounded below because  $\mathbf{f}(x) \geq \mathbf{h}^{\text{ic}}(x)$ ,  $\forall \mathbf{f} \in \mathcal{E}_{\mathbb{Z}}(\mathbf{h}^{\text{ic}})$ , by (4.3)). We hence fix a large threshold  $r < \infty$ , and apply Proposition 4.4 with  $G(t, \mathbf{f}) = \mathbf{f}(x) \wedge r$  to obtain

$$\mathbf{E}_{\mathbf{Q}_N}(\mathbf{h}_N(t_2, \frac{x}{N}) \wedge r) - \mathbf{E}_{\mathbf{Q}_N}(\mathbf{h}_N(t_1, \frac{x}{N}) \wedge r) = \mathbf{E}_{\mathbf{Q}_N} \int_{t_1}^{t_2} \phi(\mathbf{h}(Nt), x) \lambda_N(t, x, \mathbf{h}(Nt)) \mathbf{1}_{\{\mathbf{h}(Nt) \leq r\}} dt.$$

Referring back to (3.17), we have that  $\mathbf{h}(t, x)$  is bounded under  $\mathbf{Q}_N$ , so let  $r \rightarrow \infty$  gives (4.33). The identity (4.34) follows directly from Proposition 4.5.  $\square$

**4.2. Proof of Proposition 3.4.** To simplify notations, in the following we often write  $\phi(x) = \phi(\mathbf{f}, x)$  for the mobility function, and write  $\lambda_N = \lambda_N(t, x) = \lambda_N(t, x, \mathbf{f})$  for the rate. Recall the expression of  $\tilde{I}(g)$  from (2.7). We consider first the degenerate case  $\tilde{I}(g) = \infty$ .

**The case  $\tilde{I}(g) = \infty$ .** We show that, in fact,

$$\liminf_{N \rightarrow \infty} \frac{1}{N^2} H(\mathbf{Q}_N | \mathbf{P}_N^{\mathbf{h}}) = \infty, \quad (4.35)$$

so in particular (3.18) holds. We achieve (4.35) by bounding the expression (4.34) of the relative entropy from below. To this end, fixing arbitrary  $n$ , we recall that  $\{\sigma_i^n = \frac{iT}{2^n}\}_{i=0}^{2^n}$  denotes a dyadic partition, and rewrite (4.34) accordingly as

$$\frac{1}{N^2} H(\mathbf{Q}_N | \mathbf{P}_N^{\mathbf{h}}) = \frac{1}{N} \sum_{x \in \mathbb{Z}} \sum_{i=1}^{2^n} \mathbf{E}_{\mathbf{Q}_N} \int_{\sigma_{i-1}^n}^{\sigma_i^n} \phi(x) \psi(\lambda_N(t, x)) dt. \quad (4.36)$$

In (4.36), for each fixed  $i \in \{1, \dots, 2^n\}$  and  $x \in \mathbb{Z}$ , view the corresponding expression as an average of  $\psi(\lambda_N(t, x))$  over the measure  $\mathbf{E}_{\mathbf{Q}_N} \int_{\sigma_{i-1}^n}^{\sigma_i^n} (\cdot) dt$ , with total mass  $A_{i,x} := \mathbf{E}_{\mathbf{Q}_N} \int_{\sigma_{i-1}^n}^{\sigma_i^n} \phi(\mathbf{h}(Nt), x) dt$ . Using the convexity of  $\lambda \mapsto \psi(\lambda)$ , followed by applying the identity (4.33) for  $(t_1, t_2) = (\sigma_{i-1}^n, \sigma_i^n)$ , we have

$$\begin{aligned} \mathbf{E}_{\mathbf{Q}_N} \int_{\sigma_{i-1}^n}^{\sigma_i^n} \phi(x) \psi(\lambda_N(t, x)) dt &\geq A_{i,x} \psi \left( \frac{1}{A_{i,x}} \mathbf{E}_{\mathbf{Q}_N} \int_{\sigma_{i-1}^n}^{\sigma_i^n} \phi(x) \lambda_N(t, x) dt \right) \\ &= A_{i,x} \psi \left( \frac{1}{A_{i,x}} \mathbf{E}_{\mathbf{Q}_N}(\mathbf{h}_N(t, \frac{x}{N}) |_{\sigma_{i-1}^n}^{\sigma_i^n}) \right) \\ &\geq A_{i,x} \bar{\psi} \left( \frac{1}{A_{i,x}} \mathbf{E}_{\mathbf{Q}_N}(\mathbf{h}_N(t, \frac{x}{N}) |_{\sigma_{i-1}^n}^{\sigma_i^n}) \right). \end{aligned} \quad (4.37)$$

The mobility function  $\phi(x) = \phi(\mathbf{f}, x)$  is  $\{0, 1\}$ -valued, so in particular  $0 \leq A_{i,x} \leq (\sigma_i^n - \sigma_{i-1}^n) = \frac{T}{2^n}$ . Using this and (2.5) (for  $\xi = A_{i,x}$ ) in (4.37), and inserting the result back into (4.36), we arrive at

$$\frac{1}{N^2} H(\mathbf{Q}_N | \mathbf{P}_N^{\mathbf{h}}) \geq \frac{1}{N} \sum_{x \in \mathbb{Z}} \frac{T}{2^n} \bar{\psi} \left( \frac{1}{\sigma_i^n - \sigma_{i-1}^n} \mathbf{E}_{\mathbf{Q}_N}(\mathbf{h}_N(t, \frac{x}{N}) |_{\sigma_{i-1}^n}^{\sigma_i^n}) \right). \quad (4.38)$$

Next, with  $\mathbf{Q}_N$  being the conditioned law as in (3.17), we have that

$$|\mathbf{E}_{\mathbf{Q}_N}(\mathbf{h}_N(t, \frac{x}{N})) - g(t, \frac{x}{N})| \leq a_N, \quad \forall (t, \frac{x}{N}) \in [0, T] \times [-r_N, r_N]. \quad (4.39)$$

In particular,  $\mathbf{E}_{\mathbf{Q}_N}(\mathbf{h}_N(t, \frac{x}{N}) | \sigma_{i-1}^n) \geq g(\sigma_i^n, \frac{x}{N}) - g(\sigma_{i-1}^n, \frac{x}{N}) - 2a_N$ . In (4.38), using this, together with the fact that  $\lambda \mapsto \bar{\psi}(\lambda)$  is nondecreasing, we further obtain

$$\frac{1}{N^2} H(\mathbf{Q}_N | \mathbf{P}_N^h) \geq \frac{1}{N} \sum_{\frac{x}{N} \in [-r_N \wedge r, r_N \wedge r]} \sum_{i=1}^{2^n} \frac{T}{2^n} \bar{\psi} \left( \left( \frac{g(\sigma_i^n, \frac{x}{N}) - g(\sigma_{i-1}^n, \frac{x}{N}) - 2a_N}{\sigma_i^n - \sigma_{i-1}^n} \right)_+ \right). \quad (4.40)$$

Now, fix  $r < \infty$ , and let  $N \rightarrow \infty$  in (4.40). Under this limit  $a_N \downarrow 0$  and  $r_N \uparrow \infty$ , so

$$\liminf_{N \rightarrow \infty} \frac{1}{N^2} H(\mathbf{Q}_N | \mathbf{P}_N^h) \geq \int_{-r}^r \sum_{i=1}^{2^n} \frac{T}{2^n} \bar{\psi} \left( \frac{g(\sigma_i^n, \xi) - g(\sigma_{i-1}^n, \xi)}{\sigma_i^n - \sigma_{i-1}^n} \right) d\xi. \quad (4.41)$$

Recall the expression of  $\tilde{I}_n(h, \xi)$  from (2.6). Upon letting  $r \rightarrow \infty$ , the r.h.s. of (4.41) gives  $\int_{\mathbb{R}} \tilde{I}_n(g, \xi) d\xi$ . Further taking the supremum over  $n$  thus gives the desired result:

$$\liminf_{N \rightarrow \infty} \frac{1}{N^2} H(\mathbf{Q}_N | \mathbf{P}_N^h) \geq \sup_n \int_{\mathbb{R}} \tilde{I}_n(g, \xi) = \tilde{I}(g) = \infty.$$

**The case  $\tilde{I}(g) < \infty$ .** Without lost of generality, we assume  $g(0) = h^{\text{ic}}$ . Otherwise, if  $g(0, \xi) \neq h^{\text{ic}}(\xi)$ , for some  $\xi \in \mathbb{R}$ , with  $\mathbf{Q}_N$  being the conditioned law as in (3.17) and  $a_N \downarrow 0$ , by the assumption (1.21), we necessarily have  $\mathbf{Q}_N \ll \mathbf{P}_N$ , for all large enough of  $N$ . Hence  $\liminf_{N \rightarrow \infty} \frac{1}{N^2} H(\mathbf{Q}_N | \mathbf{P}_N^h) = \infty$ .

Under the assumption  $\tilde{I}(g) < \infty$ , by Lemma 2.2 we have  $g \in \mathcal{D}_d$ . This together with  $g(0) = h^{\text{ic}}$  implies  $I^{(1)}(g) = \int_0^T \int_{\mathbb{R}} J_a^{(1)}(g_t, g_\xi) dt d\xi$ . Recall from (2.20) the partition  $R_\ell(r)$  that consists of rectangles. The first step is to localize the function  $I^{(1)}(g)$  and relative entropy  $\frac{1}{N^2} H(\mathbf{Q}_N | \mathbf{P}_N^h)$  onto each rectangle  $\square \in R_\ell(r)$ . To this end, recalling the definition of  $J_a^{(1)}(\kappa, \rho)$  from (2.3), and fixing  $\varepsilon > 0$ , we apply Lemma 2.4 for  $h = g$ , to obtain  $r, \ell < \infty$  and  $a > 0$  such that

$$\sum_{\square \in R_\ell(r)} |\square| J_a^{(1)}(\kappa_\square, \rho_\square) \geq I^{(1)}(g) \wedge \varepsilon^{-1} - \varepsilon, \quad (\kappa_\square, \rho_\square) := (f_\square g_t dt d\xi, f_\square g_\xi dt d\xi). \quad (4.42)$$

As for the relative entropy, in (4.34), we drop those terms corresponding to  $\frac{x}{N} \notin [-r, r]$ , and write

$$\frac{1}{N^2} H(\mathbf{Q}_N | \mathbf{P}_N^h) \geq \mathbf{E}_{\mathbf{Q}_N} \left( \frac{1}{N} \int_0^T \sum_{\frac{x}{N} \in [-r, r]} \phi(x) \psi(\lambda_N(t, x)) dt \right). \quad (4.43)$$

Then, decompose the r.h.s. of (4.43) as

$$\frac{1}{N^2} H(\mathbf{Q}_N | \mathbf{P}_N^h) \geq \sum_{\square \in R_\ell(r)} H_N(\square), \quad H_N(\square) := \mathbf{E}_{\mathbf{Q}_N} \left( \frac{1}{N} \int \sum_{\{t, \frac{x}{N}\} \in \square} \phi(x) \psi(\lambda_N(t, x)) dt \right). \quad (4.44)$$

In view of (4.42) and (4.44), the next step is to show that  $H_N(\square)$  approximately bound  $|\square| J_a^{(1)}(\kappa_\square, \rho_\square)$  from above, for each  $\square \in R_\ell(r)$ . Recall from (2.1) the definition of  $\Phi_a^{(1)}$ . Fix  $\square \in R_\ell(r)$ , and, for each  $(t, \frac{x}{N}) \in \square$ , use the convexity of  $\lambda \mapsto \bar{\psi}(\lambda)$  to write

$$\bar{\psi}(\lambda_N(t, x)) \geq \bar{\psi} \left( \frac{\kappa_\square}{\Phi_a^{(1)}(\rho_\square)} \right) - \bar{\psi}' \left( \frac{\kappa_\square}{\Phi_a^{(1)}(\rho_\square)} \right) \left( \frac{\kappa_\square}{\Phi_a^{(1)}(\rho_\square)} - \lambda_N(t, x) \right). \quad (4.45)$$

Set  $A_N(\square) := \mathbf{E}_{\mathbf{Q}_N} \left( \frac{1}{N} \int \sum_{\{t, \frac{x}{N}\} \in \square} \phi(x) dt \right)$  and  $B_N(\square) := \mathbf{E}_{\mathbf{Q}_N} \left( \frac{1}{N} \int \sum_{\{t, \frac{x}{N}\} \in \square} \phi(x) \lambda_N(t, x) dt \right)$ . In (4.45), multiply both sides by  $\phi(x)$ , and apply  $\mathbf{E}_{\mathbf{Q}_N} \left( \frac{1}{N} \int \sum_{\{t, \frac{x}{N}\} \in \square} (\cdot) dt \right)$  to the result. Using that  $\psi \geq \bar{\psi}$ , this gives

$$H_N(\square) \geq \bar{\psi} \left( \frac{\kappa_\square}{\Phi_a^{(1)}(\rho_\square)} \right) A_N(\square) - \bar{\psi}' \left( \frac{\kappa_\square}{\Phi_a^{(1)}(\rho_\square)} \right) \frac{\kappa_\square}{\Phi_a^{(1)}(\rho_\square)} A_N(\square) + \bar{\psi}' \left( \frac{\kappa_\square}{\Phi_a^{(1)}(\rho_\square)} \right) B_N(\square). \quad (4.46)$$

Further, parametrizing the rectangle as  $\square = [\underline{t}_\square, \bar{t}_\square] \times [\xi_\square^-, \xi_\square^+]$ , using (4.33) for  $(t_1, t_2) = (\underline{t}_\square, \bar{t}_\square)$ , we have

$$B_N(\square) = \mathbf{E}_{\mathbf{Q}_N} \left( \frac{1}{N} \sum_{\frac{x}{N} \in [\xi_\square^-, \xi_\square^+]} \int_{\underline{t}_\square}^{\bar{t}_\square} \phi(x) \lambda_N(t, x) dt \right) = \mathbf{E}_{\mathbf{Q}_N} \left( \frac{1}{N} \sum_{\frac{x}{N} \in [\xi_\square^-, \xi_\square^+]} \mathbf{h}_N(t, \frac{x}{N}) \Big|_{t=\underline{t}_\square}^{t=\bar{t}_\square} \right). \quad (4.47)$$

Letting  $N \rightarrow \infty$  in (4.47), using (4.39) on the r.h.s., we obtain

$$\liminf_{N \rightarrow \infty} B_N(\square) \geq \int_{\xi_\square^-}^{\xi_\square^+} g(t, \xi) \Big|_{t=\underline{t}_\square}^{t=\bar{t}_\square} d\xi = |\square| \kappa_\square. \quad (4.48)$$

Combining this with (4.46) gives

$$H_N(\square) \geq (\bar{\psi}(\lambda) - \lambda \bar{\psi}'(\lambda)) \Big|_{\lambda = \frac{\kappa_\square}{\Phi_a^{(1)}(\rho_\square)}} A_N(\square) + \bar{\psi}' \left( \frac{\kappa_\square}{\Phi_a^{(1)}(\rho_\square)} \right) |\square| \kappa_\square + \varepsilon_N(\square), \quad (4.49)$$

for some remainder term such that  $\lim_N |\varepsilon_N(\square)| = 0$ . Adding and subtracting the expression  $|\square| J_a^{(1)}(\kappa_\square, \rho_\square) = |\square| \Phi_a^{(2)}(\rho_\square) \bar{\psi} \left( \frac{\kappa_\square}{\Phi_a^{(1)}(\rho_\square)} \right)$  on the r.h.s. of (4.49), we arrive at

$$H_N(\square) \geq |\square| J_a^{(1)}(\kappa_\square, \rho_\square) + (\lambda \bar{\psi}'(\lambda) - \bar{\psi}(\lambda)) \Big|_{\lambda = \frac{\kappa_\square}{\Phi_a^{(1)}(\rho_\square)}} \left( |\square| \Phi_a^{(1)}(\rho_\square) - A_N(\square) \right) + \varepsilon_N(\square). \quad (4.50)$$

The expression  $\lambda \bar{\psi}'(\lambda) - \bar{\psi}(\lambda) = (\lambda - 1)_+$  in (4.50) nonnegative. Furthermore, with  $A_N(\square)$  defined as in the preceding and with  $\phi(t, x) := \eta(t, x)(1 - \eta(t, x))$ , parameterizing  $\square := [\underline{t}_\square, \bar{t}_\square] \times [\xi_\square^-, \xi_\square^+]$ , we have

$$A_N(\square) \leq \frac{1}{N} \mathbf{E}_{\mathbf{Q}_N} \int_{\underline{t}_\square}^{\bar{t}_\square} dt \left( \sum_{\frac{x}{N} \in \square} \eta(Nt, x) \wedge \sum_{\frac{x}{N} \in \square} (1 - \eta(Nt, x)) \right). \quad (4.51)$$

Since

$$\begin{aligned} \frac{1}{N} \sum_{\frac{x}{N} \in \square} \eta(Nt, x) &= |\xi_\square^+ - \xi_\square^-| (\mathbf{h}_N(t, \xi_\square^+) - \mathbf{h}_N(t, \xi_\square^-)), \\ \frac{1}{N} \sum_{\frac{x}{N} \in \square} (1 - \eta(Nt, x)) &= |\xi_\square^+ - \xi_\square^-| (1 - \mathbf{h}_N(t, \xi_\square^+) - \mathbf{h}_N(t, \xi_\square^-)). \end{aligned}$$

It follows that

$$A_N(\square) \leq \mathbf{E}_{\mathbf{Q}_N} \int_{\underline{t}_\square}^{\bar{t}_\square} dt |\xi_\square^+ - \xi_\square^-| \Phi^{(1)}(\mathbf{h}_N(t, \xi_\square^+) - \mathbf{h}_N(t, \xi_\square^-))$$

With  $\mathbf{Q}_N$  being the conditioned law as in (3.17), we have

$$\limsup_{N \rightarrow \infty} A_N(\square) \leq \int_{\underline{t}_\square}^{\bar{t}_\square} |\xi_\square^+ - \xi_\square^-| \Phi^{(1)}(g(t, \xi_\square^+) - g(t, \xi_\square^-)) dt = |\square| \Phi^{(1)}(\rho_\square), \quad (4.52)$$

Combining this with (4.50) and the fact that  $\lambda \bar{\psi}'(\lambda) - \bar{\psi}(\lambda) \geq 0$ , we arrive at

$$\liminf_{N \rightarrow \infty} H_N(\square) \geq |\square| J_a^{(1)}(\kappa_\square, \rho_\square).$$

This gives the desired bound on each rectangle  $\square \in R_\ell(r)$ . Referring back to (4.42) and (4.44), we now have

$$\liminf_{N \rightarrow \infty} H_N(\mathbf{Q}_N | \mathbf{P}_N^{\mathbf{h}}) \geq I^{(1)}(g) \wedge \varepsilon^{-1} - \varepsilon.$$

The proof is completed upon letting  $\varepsilon \downarrow 0$ .



## 5. LOWER BOUND: INHOMOGENEOUS TASEP

The remaining of this article, Section 5–7, are devoted to proving Proposition 3.5. To this end, hereafter we fix  $\varepsilon_* > 0, r_* < \infty, \tau, b$  such that  $\frac{T}{\tau}, \frac{r_*}{b} \in \mathbb{N}$  as in Proposition 3.5. To simplify notations, we write  $\Sigma = \Sigma(\tau, b)$  for the triangulation. Fix further a  $\mathcal{D}$ -valued,  $\Sigma$ -piecewise linear function  $g$  that satisfies (3.22)–(3.23), write  $g^{\text{ic}} := g(0)$ , and fix a TASEP height process  $\mathbf{g}_N$  with initial condition that satisfies (3.24), as in Proposition 3.5. Let  $r^*, \bar{\lambda}$  be given as in (3.28)–(3.29). We write  $(\kappa_\Delta, \rho_\Delta) := (g_t, g_\xi)|_{\Delta^\circ}$  for the constant derivatives of  $g$  on a given  $\Delta \in \Sigma$ , and let  $\lambda_\Delta := \frac{\kappa_\Delta}{\rho_\Delta(1-\rho_\Delta)}$ . With  $g$  satisfying the properties (3.22)–(3.23), we have

$$0 < \inf_{\Delta \in \Sigma} \kappa_\Delta \leq \sup_{\Delta \in \Sigma} \kappa_\Delta < \infty, \quad 0 < \inf_{\Delta \in \Sigma} \rho_\Delta \leq \sup_{\Delta \in \Sigma} \rho_\Delta < 1, \quad 0 < \inf_{\Delta \in \Sigma} \lambda_\Delta \leq \sup_{\Delta \in \Sigma} \lambda_\Delta \leq \bar{\lambda} < \infty. \quad (5.1)$$

Let  $\Sigma_* := \{\Delta \in \Sigma : \Delta \subset [0, T] \times [-r_*, r_*]\}$  denote the restriction of the triangulation onto  $[-r_*, r_*]$ , and similarly  $\Sigma^* := \{\Delta \in \Sigma : \Delta \subset [0, T] \times [-r^*, r^*]\}$ .

Proving Proposition 3.5 amounts to *constructing* probability laws  $\{\mathbf{Q}_N\}_N$  that satisfies (3.25)–(3.27). We will achieve this using **inhomogeneous TASEP**, defined as follows. We say  $S : [0, T] \times \mathbb{R} \rightarrow (0, \bar{\lambda}]$  is a **speed function** if  $S$  is Borel measurable, positive, and bonded by  $\bar{\lambda}$  from above. We say  $S$  is a **simple speed function** if it a speed function that takes the following form

$$S : [0, T] \times \mathbb{R} \rightarrow (0, \infty), \quad S(t, \xi) := \sum_{i=1}^n \mathbf{1}_{[t_{i-1}, t_i)}(t) S_i(\xi), \quad 0 = t_0 < t_2 < \dots < t_n = T, \quad (5.2)$$

where each  $S_i : \mathbb{R} \rightarrow (0, \infty)$  is lower semi-continuous, piecewise constant, with finitely many discontinuities, and  $\lim_{|\xi| \rightarrow \infty} S_i(\xi) = 1$ . Now, given a *simple* speed function  $S$ , we define the associated inhomogeneous TASEP similarly to the TASEP, starting from the initial condition  $\mathbf{g}_N^{\text{ic}}$  (as fixed in the preceding), but, instead of having unit-rate Poisson clocks at each  $x \in \mathbb{Z}$ , we let the rate be  $S(\frac{t}{N}, \frac{x}{N})$ . We do not define the value of  $S$  at  $t = T$  for convenience of notations, and these values  $S(T, \xi)$  do not pertain to the dynamics of the inhomogeneous TASEP, define for  $t \in [0, NT]$ . We write  $\mathbf{Q}_N^S$  for the law of the inhomogeneous TASEP with a simple speed function  $S$ .

For a time-homogeneous (i.e.,  $S(t, \xi) = S(\xi), \forall t \in [0, T]$ ) simple speed function, the corresponding inhomogeneous TASEP sits within the scope studied in [GKS10]. For simple speed functions of the form (5.2) considered here, the associated inhomogeneous TASEP is constructed inductively in time from the time homogeneous process. A key tool from [GKS10] in our proof is the hydrodynamic limit. To state this result precisely, For given  $f \in \mathcal{E}$ , and a speed function  $S$ , we define the Hopf–Lax function  $\mathcal{G}[S, f]$  via the following variational formula:

$$\mathcal{G}[S, f] : [0, T] \times \mathbb{R} \rightarrow \mathbb{R}, \quad \mathcal{G}[S, f](t, \xi) := \inf_{w \in W(t, \xi)} \{ \Theta_{0,t}(w; S) + f(w(0)) \}, \quad (5.3)$$

where  $W(t, \xi)$  is the set of piecewise  $C^1$  paths  $w : [0, t] \rightarrow \mathbb{R}$  connected to  $(t, \xi)$ , i.e.,

$$W(t, \xi) := \{ w : [0, t] \rightarrow \mathbb{R} : w \text{ piecewise } C^1, w(t) = \xi \}, \quad (5.4)$$

and  $\Theta_{t_1, t_2}(w; S)$  is a functional on  $(w, S)$ , defined as

$$\Theta_{t_1, t_2}(w; S) := \int_{t_1}^{t_2} S(s, w(s)) \theta\left(\frac{w'(s)}{S(s, w(s))}\right) ds, \quad (5.5)$$

$$\theta(\xi) := \begin{cases} 0 & , \text{ for } \xi \leq -1, \\ \frac{1}{4}(\xi + 1)^2 & , \text{ for } \xi \in (-1, 1), \\ \xi & , \text{ for } \xi \geq 1. \end{cases} \quad (5.6)$$

As we show in Lemma 6.1(b) in the following, the variational formula (5.3) does define a  $\mathcal{D} \cap C([0, T], \mathcal{E})$ -valued height function. Such a height function can be viewed as the viscosity solution of the inhomogeneous Burgers equation:

$$h_t(t, \xi) = S h_\xi(1 - h_\xi), \quad h(0) = f.$$

We will, however, operate entirely with the variational formula (5.5) and avoid referencing to the PDE.

The following is the hydrodynamic result from [GKS10].

**Proposition 5.1** ([GKS10]). *Fix a time-homogeneous, simple speed function  $S$ . For each fixed  $(t, \xi) \in [0, T] \times \mathbb{R}$ , the random variable  $\mathbf{g}_N(t, \xi)$  converges to  $\mathcal{G}[S, g^{ic}](t, \xi)$ ,  $\mathbf{Q}_N^S$ -in probability.*

Proposition 5.1 is readily generalized to the time-inhomogeneous setting considered here. To see this, we first prepare a simple lemma that leverages pointwise convergence into uniform convergence.

**Lemma 5.2.** *Let  $\{h_N\} \subset \mathcal{D}$  be a sequence that converges to  $h \in C([0, T], \mathcal{E})$  pointwisely, i.e.,  $h_N(t, \xi) \rightarrow h(t, \xi)$ ,  $\forall (t, \xi) \in [0, T] \times \mathbb{R}$ . Then, in fact,  $\sup_{t \in [0, T]} d_{C(\mathbb{R})}(h_N(t), h) \rightarrow 0$  holds.*

*Proof.* Fix arbitrary  $\varepsilon > 0$  and  $r < \infty$ , and consider the partition  $R_\ell(r)$  as in (2.20). As  $h$  is continuous, there exists large enough  $\ell < \infty$  such that, on each of the rectangle  $\square \in R_\ell(r)$ ,

$$|h(t, \xi) - h(s, \zeta)| \leq \varepsilon, \quad \forall (t, \xi), (s, \zeta) \in \square. \quad (5.7)$$

Fix a rectangle  $\square \in R_\ell(r)$  and parametrize it as  $[\underline{t}_\square, \bar{t}_\square] \times [\xi_\square^-, \xi_\square^+]$ . With  $h_N$  being nondecreasing in  $t$  and  $\xi$ , for each  $t, \xi \in \square$ , we have

$$h(t, \xi) - h_N(t, \xi) \leq h(t, \xi) - h_N(\underline{t}_\square, \xi_\square^-) = (h(t, \xi) - h(\underline{t}_\square, \xi_\square^-)) + h(\underline{t}_\square, \xi_\square^-) - h_N(\underline{t}_\square, \xi_\square^-), \quad (5.8a)$$

$$h(t, \xi) - h_N(t, \xi) \geq h(t, \xi) - h_N(\bar{t}_\square, \xi_\square^+) = (h(t, \xi) - h(\bar{t}_\square, \xi_\square^+)) + h(\bar{t}_\square, \xi_\square^+) - h_N(\bar{t}_\square, \xi_\square^+). \quad (5.8b)$$

Let  $\mathcal{V}$  denote the set of all vertices of the rectangles in  $R_\ell(r)$ . Using (5.7) in (5.8) gives,

$$h(t, \xi) - h_N(t, \xi) \leq \varepsilon + \sup_{\mathcal{V}}(h - h_N), \quad h(t, \xi) - h_N(t, \xi) \geq -\varepsilon + \inf_{\mathcal{V}}(h - h_N).$$

Equivalently,  $\sup_{[0, T] \times [-r, r]} |h_N - h| \leq \max_{\mathcal{V}} |h_N - h| + \varepsilon$ . As  $\mathcal{V}$  is a fixed, finite set, letting  $N \rightarrow \infty$  gives  $\limsup_{N \rightarrow \infty} \sup_{[0, T] \times [-r, r]} |h_N - h| \leq \varepsilon$ . With  $\varepsilon > 0$  and  $r < \infty$  being arbitrary, this concludes the desired result  $\sup_{t \in [0, T]} d_{C(\mathbb{R})}(h_N(t), h) \rightarrow 0$ .  $\square$

The following Corollary generalizes Proposition 5.1 to the time-inhomogeneous setting considered here.

**Corollary 5.3.** *For any given simple speed function  $S$ ,*

$$\sup_{t \in [0, T]} d_{C(\mathbb{R})}(\mathbf{g}_N(t), \mathcal{G}[S, g^{ic}](t)) \rightarrow 0, \quad \mathbf{Q}_N^S\text{-in probability.}$$

*Proof.* Let  $0 := t_0 < t_1 < \dots < t_n = T$  denote the discontinuities of  $S$ . Combining Proposition 5.1 and Lemma 5.2 gives  $\sup_{t \in [t_0, t_1]} d_{C(\mathbb{R})}(\mathbf{g}_N(t), \mathcal{G}[S, f](t)) \rightarrow 0$ ,  $\mathbf{Q}_N^S$ -in probability. In particular  $d_{C(\mathbb{R})}(\mathbf{g}_N(t_1), h(t_1)) \rightarrow 0$ ,  $\mathbf{Q}_N^S$ -in probability. This allows us to progress onto  $[t_1, t_2]$ . The proof is completed by inductively applying Proposition 5.1 and Lemma 5.2 for  $[t_1, t_2], \dots, [t_{n-1}, t_n]$ .  $\square$

In addition to the hydrodynamic result Corollary 5.3, to the end of proving Proposition 3.5, we also need a formula for the Radon–Nikodym derivative. Using the Feynman–Kac formula, it is standard to show that

$$\frac{d\mathbf{Q}_N^S}{d\mathbf{P}_N^\xi} = \exp \left( \sum_{x \in \mathbb{Z}} \int_0^{NT} \left( \log S(Nt, \frac{x}{N}) dh(t, x) - \phi(\mathbf{h}(t), x) (S(Nt, \frac{x}{N}) - 1) dt \right) \right). \quad (5.9)$$

In particular, with  $\psi(\xi) := \xi \log \xi - (\xi - 1)$ , taking  $\mathbf{E}_{\mathbf{Q}_N^S}(\cdot)$  in (5.9) gives

$$\frac{1}{N^2} H(\mathbf{Q}_N^S | \mathbf{P}_N^\xi) = \frac{1}{N} \sum_{x \in \mathbb{Z}} \mathbf{E}_{\mathbf{Q}_N} \left( \int_0^T \phi(\mathbf{h}_N(t), x) \psi \left( S(t, \frac{x}{N}) \right) dt \right). \quad (5.10)$$

Our strategy of proving Proposition 3.5 is to construct a simple speed function  $S$ , so that,  $\mathbf{Q}_N^S$  satisfies (3.25)–(3.27). In view of Corollary 5.3, achieving (3.25) amounts to constructing  $S$  in such a way that  $\mathcal{G}[S, g^{ic}]$  well approximates  $g$ . To this end, it is more convenient to consider piecewise constant speed functions that are not necessarily simple. In Section 6, we will first construct a speed function  $\tilde{\Lambda}$  that is not simple, and in Section 7, we obtain the desired simple speed function  $\Lambda$  as an approximate of  $\tilde{\Lambda}$ . As the functions  $\tilde{\Lambda}$  and  $\Lambda$  depend on the two auxiliary parameters  $m, n$  (introduced in the sequel), hereafter we write  $\tilde{\Lambda} = \tilde{\Lambda}_{m, n}$  and  $\Lambda = \Lambda_{m, n}$  to emphasize such dependence.

6. LOWER BOUND: CONSTRUCTION OF  $\tilde{\Lambda}_{m,n}$ 

**6.1. Overview of the Construction.** To motivate the technical construction in the sequel, in this subsection we give an overview. The discussion here is *informal*, and does not constitute any part of the proof.

Corollary 5.3 asserts that  $\mathbf{g}_N$  converges to  $\mathcal{G}[S, g^{\text{ic}}]$  under  $\mathbf{Q}_N^S$ . In order to achieve (3.25), it is desirable to construct  $\tilde{\Lambda}_{m,n}$  so that  $\mathcal{G}[\tilde{\Lambda}_{m,n}, g^{\text{ic}}]$  approximates  $g$  on  $[0, T] \times [-r^*, r^*]$ , i.e.,

$$\sup_{[0, T] \times [-r^*, r^*]} |\mathcal{G}[\tilde{\Lambda}_{m,n}, g] - g| \approx 0.$$

Indeed, it is well-known that the Burgers equation (1.6) is solved by characteristics, which are linear trajectories of speed  $1 - 2g_\xi$ . We generalize the idea of characteristic velocity to the inhomogeneous setting considered here, and call  $\tilde{\Lambda}_{m,n}(t, \xi)(1 - 2g_\xi(t, \xi))$  the characteristic velocity at a given point  $(t, \xi)$ . Informally speaking, the Hopf–Lax function  $h = \mathcal{G}[\tilde{\Lambda}_{m,n}, g^{\text{ic}}]$  corresponds to a solution of the inhomogeneous equation  $h_t = \tilde{\Lambda}_{m,n} h_\xi (1 - h_\xi)$  with initial condition  $g^{\text{ic}}$ . As  $g$  is a  $\Sigma$ -piecewise linear function, a natural, *preliminary proposal* is to set  $\tilde{\Lambda}_{m,n}|_{\Delta^\circ} := \lambda_\Delta$  on each triangle  $\Delta \in \Sigma$ , so that  $g$  solves the aforementioned inhomogeneous Burgers equation. One then hopes that (after extending  $\tilde{\Lambda}_{m,n}$  onto the edges of the triangulation  $\Sigma$  in a suitable way), the resulting Hopf–Lax function  $\mathcal{G}[\tilde{\Lambda}_{m,n}, g^{\text{ic}}]$  matches  $g$ . This is false in general. To see why, assume  $\mathcal{G}[\tilde{\Lambda}_{m,n}, g^{\text{ic}}] = g$  were the case. Then, on each  $\Delta \in \Sigma$ , characteristic velocity is constant  $\lambda_\Delta$ . Along vertical or diagonal edges of the triangulation  $\Sigma$ , characteristics may: merge, semi-merge, refract, semi-refract, or diverge, as illustrated in Figure 5. While the first four scenarios are admissible, the Hopf–Lax function  $\mathcal{G}[\tilde{\Lambda}_{m,n}, g^{\text{ic}}]$  does *not* permit diverging characteristics as depicted in Figure 5e.

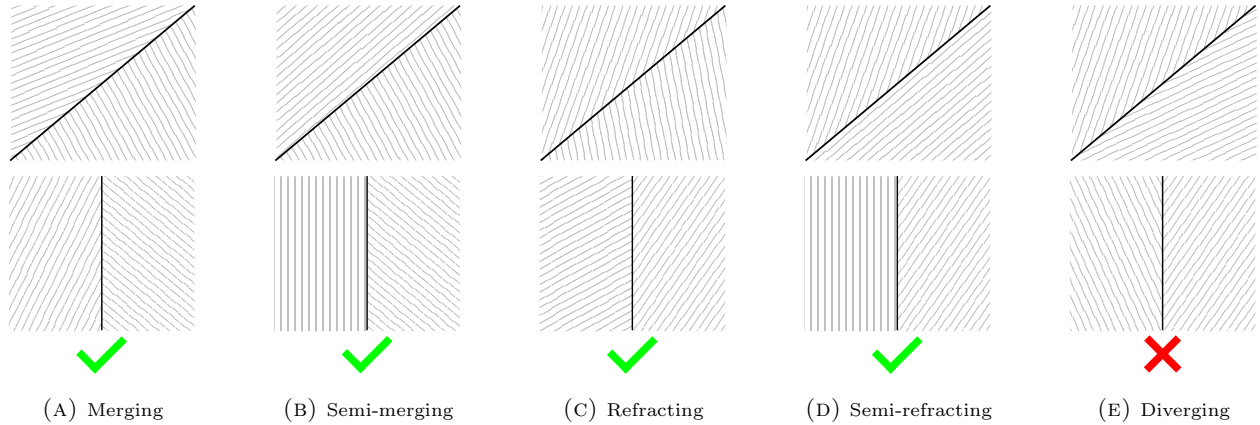


FIGURE 5. Configurations at a vertical or diagonal edge

We circumvent this problem by introducing buffer zones around vertical and diagonal edges. These zones are thin stripes of width  $O(\frac{1}{m})$ . If the neighboring triangles of a given (vertical or diagonal) edge demand diverging characteristics as depicted in Figure 5e, we tune  $\tilde{\Lambda}_{m,n}$  on the buffer zone, in such a way that characteristics run *parallel* to the edge on in the zone, as depicted in Figure 6. This way, instead of diverging characteristics, along the sides of the buffer zone we have semi-refracting characteristics. As  $m \rightarrow \infty$ , buffer zones become effectively invisible, and the resulting  $\mathcal{G}[\tilde{\Lambda}_{m,n}, g^{\text{ic}}]$  should well-approximate  $g$ .

The preceding construction achieves  $\mathcal{G}[\tilde{\Lambda}_{m,n}, g^{\text{ic}}] \approx g$ , but is not cost efficient in terms of entropy. A few modifications are in place to improve the entropy cost. Recall the definition of  $r^*$  and  $\bar{\lambda}$  from (3.28)–(3.29). First, to avoid the entropy being infinite, we truncate  $\tilde{\Lambda}_{m,n}$ , by setting it to unity outside of  $[-r^*, r^*]$ , i.e.,  $\tilde{\Lambda}_{m,n}|_{|\xi| > r^*} := 1$ . Refer to the formula (5.10) for relative entropy: the prescribed truncation ensures the cost from  $\{|\xi| > r^*\}$  is zero. Further, such a truncation does not change the value of  $\mathcal{G}[\tilde{\Lambda}_{m,n}, g^{\text{ic}}](t, \xi)$  for  $|\xi| \leq r_*$ . To see why, recall that  $r^* \geq r_* + T\bar{\lambda}$ , and note that, with  $1 - 2g_\xi \in [-1, 1]$  and  $\tilde{\Lambda}_{m,n} \leq \bar{\lambda}$ , characteristic velocity is always bounded by  $\bar{\lambda}$  in magnitude. This being the case, the value of  $\tilde{\Lambda}_{m,n}$  in  $\{|\xi| > r^*\}$  does not affect  $\mathcal{G}[\tilde{\Lambda}_{m,n}, g^{\text{ic}}]|_{|\xi| \leq r_*}$ , because characteristics starting from  $\{|\xi| > r^*\}$  at  $t = 0$  cannot reach  $\{|\xi| \leq r_*\}$  within  $[0, T]$ .

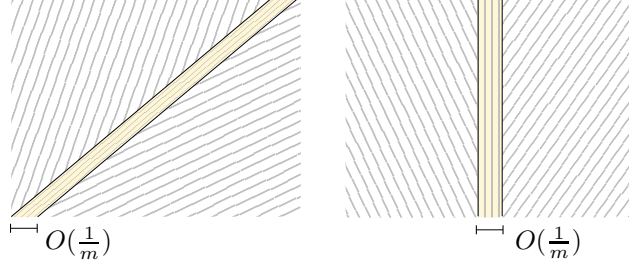


FIGURE 6. Buffer zones (yellow) in action.

Next, recalling the the discussion in Section 1.2, we see that on those triangles  $\Delta$  with  $\lambda_\Delta < 1$ , having  $\tilde{\Lambda}_{m,n} = \lambda_\Delta$  is too cost ineffective. Instead, we should perform the intermittent constriction as sketched in Section 1.2. On each of the triangle  $\Delta$  with  $\lambda_\Delta < 1$ , we place thin vertical stripes of width  $O(\frac{1}{n^2m})$ , every distance  $O(\frac{1}{nm})$  apart. We then set  $\tilde{\Lambda}_{m,n} = \lambda_\Delta$  on those thin stripes, and set  $\tilde{\Lambda}_{m,n} = 1$  for the rest of the triangles. As explained in Section 1.2, as  $n \rightarrow \infty$ , the prescribed construction should produce approximately the desired linear function on  $\Delta$ , at effectively zero cost.

This concludes our overview of the construction of  $\tilde{\Lambda}_{m,n}$ . The precise construction is carried out in Section 6.3 in the following, and in Section 6.4 we verify that the resulting Hopf–Lax function  $\mathcal{G}[\Lambda_{m,n}, g^{\text{ic}}]$  converges to  $g$ , under a limit procedure. Even though the preceding heuristic discussion invokes inhomogeneous Burgers equation as a motivation for constructing  $\tilde{\Lambda}_{m,n}$ , our analysis in the following completely bypasses references to PDEs. Instead, we work directly with the variational formula (5.3) of Hopf and Lax. To prepare for this, in Section 6.2 we establish some elementary properties of the Hopf–Lax function.

**6.2. Properties of the Hopf–Lax function.** Let us first setup the notations. For a given set  $\mathcal{A} \subset [0, T] \times \mathbb{R}$  and  $h \in \mathcal{D} \cap C([0, T], \mathcal{E})$ , we define the localization  $\mathcal{G}_{\mathcal{A}}[S, f]$  of (5.3) onto  $\mathcal{A}$  as follows:

$$\mathcal{G}_{\mathcal{A}}[S, h] : \mathcal{A} \rightarrow \mathbb{R}, \quad \mathcal{G}_{\mathcal{A}}[S, h](t, \xi) := \inf_{w \in W_{\mathcal{A}}(t, \xi)} \{ \Theta_{t_w, t}(w; S) + h(t_w, w(t_w)) \}, \quad (6.1)$$

where  $W_{\mathcal{A}}(t, \xi)$  denotes the set of piecewise  $C^1$  paths that lie within  $\mathcal{A}^\circ$  and connect  $(t, \xi)$  to the boundary  $\partial\mathcal{A} := \overline{\mathcal{A}} \setminus \mathcal{A}^\circ$  of  $\mathcal{A}$ , i.e.,

$$W_{\mathcal{A}}(t, \xi) := \{ w : [t_w, t] \rightarrow \mathbb{R} : w \text{ piecewise } C^1, (s, w(s))|_{s \in (t_w, t)} \in \mathcal{A}^\circ, \\ w(t) = \xi, (t_w, w(t_w)) \in \partial\mathcal{A} \}. \quad (6.2)$$

The expression (6.1) depends on  $(S, h)$  only through  $(S|_{\mathcal{A}^\circ}, h|_{\partial\mathcal{A}})$ , and is hence referred to as the localization onto  $\mathcal{A}$ . For the special case  $\mathcal{A} := [s_0, T] \times \mathbb{R}$ ,  $s_0 \in [0, T]$ , slightly abusing notations, we write

$$\mathcal{G}_{s_0}[S, f] : [t_0, T] \times \mathbb{R} \rightarrow \mathbb{R}, \quad \mathcal{G}_{s_0}[S, f](t, \xi) := \inf_{w \in W_{s_0}(t, \xi)} \{ \Theta_{s_0, t}(w; S) + f(w(s_0)) \}, \quad (6.3)$$

where  $f \in \mathcal{E}$  and  $W_{s_0}(t, \xi) := \{ w : [s_0, T] \rightarrow \mathbb{R} : w \text{ piecewise } C^1, w(t) = \xi \}$ .

Recall that, by definition, each speed function  $S$  is bounded by  $\bar{\lambda}$ . We hence refer to  $\bar{\lambda}$  as the light speed, and let

$$\mathcal{C}(t_0, \xi_0) := \{ (t, \xi) : t \in [0, t_0], |\xi - \xi_0| \leq \bar{\lambda}(t_0 - t) \} \quad (6.4)$$

denote the light cone going backward in time from  $(t_0, \xi_0)$ .

The following lemma contains the elementary properties of the Hopf–Lax function that will be used in the sequel.

**Lemma 6.1.** *Let  $S, S_1, S_2$  be speed functions,  $f \in \mathcal{D}$ .*

(a) *Let  $\mathcal{A} \subset [0, T] \times \mathbb{R}$ . The Hopf–Lax function (5.3) localizes onto  $\mathcal{A}$  as*

$$\mathcal{G}[S, f]|_{\mathcal{A}} = \mathcal{G}_{\mathcal{A}}[S, \mathcal{G}[S, f]].$$

*Similarly, let  $s_0 \leq s_1 \in [0, T]$ . We have*

$$\mathcal{G}[S, f]|_{[s_0, T] \times \mathbb{R}} = \mathcal{G}_{s_0}[S, f_0], \quad \text{where } f_0(\cdot) := \mathcal{G}[S, f](s_0, \cdot), \\ \mathcal{G}_{s_0}[S, f_0]|_{[s_1, T] \times \mathbb{R}} = \mathcal{G}_{s_1}[S, f_1], \quad \text{where } f_1(\cdot) := \mathcal{G}[S, f_0](s_1, \cdot).$$

(b) We have

$$0 \leq \mathcal{G}[S, f](t'_0, \xi_0) - \mathcal{G}[S, f](t_0, \xi_0) \leq \frac{\bar{\lambda}}{4}(t'_0 - t_0), \quad \forall t_0 \leq t'_0 \in [0, T], \xi_0 \in \mathbb{R}, \quad (6.5)$$

$$0 \leq \mathcal{G}[S, f](t_0, \xi'_0) - \mathcal{G}[S, f](t_0, \xi_0) \leq \xi'_0 - \xi_0, \quad \forall t_0 \in [0, T], \xi_0 \leq \xi'_0 \in \mathbb{R}. \quad (6.6)$$

$$0 \leq \mathcal{G}_{s_0}[S, f](t'_0, \xi_0) - \mathcal{G}_{s_0}[S, f](t_0, \xi_0) \leq \frac{\bar{\lambda}}{4}(t'_0 - t_0), \quad \forall t_0 \leq t'_0 \in [s_0, T], \xi_0 \in \mathbb{R}, \quad (6.7)$$

$$0 \leq \mathcal{G}_{s_0}[S, f](t'_0, \xi_0) - \mathcal{G}_{s_0}[S, f](t_0, \xi_0) \leq \xi'_0 - \xi_0, \quad \forall t_0 \in [s_0, T], \xi_0 \leq \xi'_0 \in \mathbb{R}. \quad (6.8)$$

In particular  $\mathcal{G}[S, f] \in \mathcal{D} \cap C([0, T], \mathcal{E})$ .

(c) Given a piecewise  $C^1$  path  $w : [s_0, t_0] \rightarrow \mathbb{R}$  and any  $t'_0 \in [s_0, t_0]$ , there exists a piecewise  $C^1$  path  $v : [s_0, t_0] \rightarrow \mathbb{R}$  such that

$$v|_{[t'_0, t_0]} = w|_{[t'_0, t_0]}, \quad (6.9)$$

$$(t, v(t))|_{t \in [s_0, t'_0]} \in \mathcal{C}(t'_0, w(t'_0)) \quad (6.10)$$

$$\Theta_{s_0, t_0}(v; S) + f(t_0, v(t_0)) \leq \Theta_{s_0, t_0}(w; S) + f(t_0, w(t_0)). \quad (6.11)$$

Namely, without making the functional  $\Theta_{s_0, t_0}(w; S) + f(t_0, w(t_0))$  larger, we can replace  $w$  with a path that: agrees with  $w$  on  $[t'_0, t_0]$ ; and lies within a the light cone  $\mathcal{C}(t'_0, w(t'_0))$  for  $t \in [s_0, t'_0]$ .

(d) Let  $f_1, f_2 \in \mathcal{E}$ , and  $s_0 \in [0, T]$ . For any given  $(t_0, \xi_0) \in [s_0, T] \times \mathbb{R}$ , let

$$\mathcal{C}'(s_0, t_0, \xi_0) := \mathcal{C}(t_0, \xi_0) \cap ((s_0, t_0) \times \mathbb{R}) \quad (6.12)$$

denote the restriction of  $\mathcal{C}(t_0, \xi_0)$  onto  $t \in (s_0, t_0)$ . If  $S_1|_{\mathcal{C}'(s_0, t_0, \xi_0)} = S_2|_{\mathcal{C}'(s_0, t_0, \xi_0)}$  and  $f_1(\xi)|_{(s_0, \xi) \in \mathcal{C}(t_0, \xi_0)} = f_2(\xi)|_{(s_0, \xi) \in \mathcal{C}(t_0, \xi_0)}$ , then

$$\mathcal{G}_{s_0}[S_1, f_1](t_0, \xi_0) = \mathcal{G}_{s_0}[S_2, f_2](t_0, \xi_0).$$

(e) Let  $f_1, f_2 \in \mathcal{E}$ , and  $s_0 \in [0, T]$ . We have

$$|\mathcal{G}[S, f_1](t_0, \xi_0) - \mathcal{G}[S, f_2](t_0, \xi_0)| \leq \sup_{|\xi - \xi_0| \leq t_0 \bar{\lambda}} |f_1(\xi) - f_2(\xi)|, \quad \forall (t_0, \xi_0) \in [0, T] \times \mathbb{R}.$$

$$|\mathcal{G}_{s_0}[S, f_1](t_0, \xi_0) - \mathcal{G}_{s_0}[S, f_2](t_0, \xi_0)| \leq \sup_{|\xi - \xi_0| \leq (t_0 - s_0) \bar{\lambda}} |f_1(\xi) - f_2(\xi)|, \quad \forall (t_0, \xi_0) \in [s_0, T] \times \mathbb{R}.$$

*Proof.* (a) We prove only the statement for  $\mathcal{G}_{\mathcal{A}}[S, f]$ , as the other statements follow similarly. Fix  $(t_0, \xi_0) \in \mathcal{A}$ . Under the convention, for any given  $w \in W(t_0, \xi_0)$ , consider its first exist time  $s_* := \inf\{s \in [t_w, t_0] : (s, w(s)) \in \mathcal{A}^\circ\} \wedge t_0$  from  $\mathcal{A}$ , and cut  $w$  into two pieces accordingly as:  $w_1 : [0, s_*] \rightarrow \mathbb{R}$  and  $w_2 : [s_*, t_0] \rightarrow \mathbb{R}$ . Under this set up we have

$$\Theta_{0, t_0}(w; S) + g(0, w(0)) = \Theta_{s_*, t_0}(w_2; S) + \Theta_{0, s_*}(w_1; S) + g(0, w_1(0)). \quad (6.13)$$

For such  $w$ , the resulting paths  $w_2$  and  $w_1$  are  $W_{\mathcal{A}}(t_0, \xi_0)$ -valued and  $W(s_*, w(s_*))$ -valued, respectively. Conversely, given  $w_2 \in W_{\mathcal{A}}(t_0, \xi_0)$  and  $w_1 \in W(t_{w_2}, w_2(t_{w_2}))$ , the joint path  $w(t) := w_1(t)\mathbf{1}_{[0, t_{w_2}]}(t) + w_2(t)\mathbf{1}_{[t_{w_2}, t_0]}(t)$  is  $W(t_0, \xi_0)$ -valued. Hence, in (6.13), taking infimum over  $w \in W(t_0, \xi_0)$  is equivalent to taking infimum over  $w_2 \in W_{\mathcal{A}}(t_0, \xi_0)$  and  $w_1 \in W(t_{w_2}, w_2(t_{w_2}))$ . This concludes the desired result  $\mathcal{G}[S, f](t_0, \xi_0) = \mathcal{G}_{\mathcal{A}}[S, \mathcal{G}[S, f]]$ .

(b) We prove only (6.5)–(6.6), as (6.7)–(6.8) follow similarly. To this end, we note the following useful properties of  $\theta(\cdot)$ , which are readily verified from the definition (5.6):

$$u\theta\left(\frac{\beta}{u}\right) = \beta_+, \quad \forall \alpha \in \mathbb{R}, u \in (0, \infty) \text{ with } \left|\frac{\alpha}{u}\right| \geq 1, \quad (6.14)$$

$$u \mapsto u\theta\left(\frac{\alpha}{u}\right) \text{ is nondecreasing in } u \in [0, \infty), \quad \forall \alpha \in \mathbb{R}. \quad (6.15)$$

Fixing  $t_0 \leq t'_0 \in [0, T]$  and  $\xi_0 \leq \xi'_0 \in \mathbb{R}$ , we consider a generic path  $w \in W(t_0, \xi_0)$ . For small  $\delta > 0$  we perform a surgery on  $w$  to obtain  $w_\delta \in W(t_0, \xi'_0)$ :

$$w_\delta(t) := w(t)\mathbf{1}_{[0, t_0 - \delta]}(t) + \frac{\xi'_0 - w(t_0 - \delta)}{\delta}(t - t_0 + \delta)\mathbf{1}_{[t_0 - \delta, t_0]}(t).$$

That is, we let  $w_\delta$  follow  $w$  for  $t \in [0, t_0 - \delta]$  and then linearly connect  $w_\delta(t_0 - \delta)$  to  $(t_0, \xi'_0)$ . Recall that speed functions are bounded by  $\bar{\lambda}$ . Under this assumption, using (6.15) gives

$$\Theta_{0, t_0}(w_\delta; S) = \Theta_{0, t_0 - \delta}(w; S) + \Theta_{t_0 - \delta, t_0}(w; S) \leq \Theta_{0, t_0 - \delta}(w; S) + \delta \bar{\lambda} \theta\left(\frac{\xi'_0 - w(t_0 - \delta)}{\delta \bar{\lambda}}\right).$$

Letting  $\delta \downarrow 0$  using (6.14) for  $\beta = \xi'_0 - w(t_0 - \delta)$ , we obtain

$$\limsup_{\delta \downarrow 0} \Theta_{0,t_0}(w_\delta; S) \leq \Theta_{0,t_0}(w; S) + (\xi'_0 - w(t_0))_+ = \Theta_{0,t_0}(w; S) + \xi'_0 - \xi_0.$$

Adding  $f(w(0)) = f(w_\delta(0))$  to both sides gives

$$\mathcal{G}[S, f](t_0, \xi'_0) \leq \limsup_{\delta \downarrow 0} \{ \Theta_{0,t_0}(w_\delta; S) + f(w_\delta(0)) \} \leq \Theta_{0,t_0}(w; S) + f(w(0)) + \xi'_0 - \xi_0.$$

Since  $w \in W(t_0, \xi_0)$ , further taking infimum over  $w$  gives  $\mathcal{G}[S, f](t_0, \xi'_0) - \mathcal{G}[S, f](t_0, \xi_0) \leq \xi'_0 - \xi_0$ . This proves one half of (6.6). The other half,  $\mathcal{G}[S, f](t_0, \xi_0) - \mathcal{G}[S, f](t_0, \xi'_0) \geq -(\xi'_0 - \xi_0)$ , is proven similarly, by performing the same type of surgery on any given  $w \in W(t_0, \xi'_0)$ . We omit repeating the argument here.

We now turn to showing (6.5). First, for any given  $w \in W(t_0, \xi_0)$ , continuing the path vertically gives  $v(t) := w(t)\mathbf{1}_{t \in [0, t_0]} + \xi_0\mathbf{1}_{t \in (t_0, t'_0]} \in W(t'_0, \xi_0)$ . Referring to the definition (5.6) of  $\Theta_{t_1, t_2}(w; S)$ , we have that  $\Theta_{t_0, t'_0}(v; S) \leq \bar{\lambda}(t'_0 - t_0)\theta(0) = \bar{\lambda}(t'_0 - t_0)\frac{1}{4}$ . This gives  $\mathcal{G}[S, f](t'_0, \xi_0) - \mathcal{G}[S, f](t_0, \xi_0) \leq \frac{1}{4}\bar{\lambda}(t'_0 - t_0)$ . This settles one half of (6.5). To show the other half, we apply Part(a) with  $s_0 = t_0$  to localize the expression  $\mathcal{G}[S, f]$  onto  $t \in [t_0, T]$  as

$$\mathcal{G}[S, f](t'_0, \xi_0) = \mathcal{G}_{t_0}[S, f_0](t'_0, \xi_0) = \inf_{w \in W_{t_0}(t'_0, \xi_0)} \{ \Theta_{t_0, t'_0}(w; S) + \mathcal{G}[S, f](t_0, w(t_0)) \}. \quad (6.16)$$

The convexity of  $\xi \mapsto \theta(\xi)$  gives

$$\begin{aligned} \Theta_{t_1, t_2}(w; S) &\geq (t_2 - t_1)u\theta\left(\frac{1}{u} \int_{t_1}^{t_2} w'(t) dt\right) \Big|_{u=f_{t_1}^{t_2} S(t, w(t)) dt} \\ &= (t_2 - t_1)u\theta\left(\frac{w(t_2) - w(t_1)}{(t_2 - t_1)u}\right) \Big|_{u=f_{t_1}^{t_2} S(t, w(t)) dt}. \end{aligned} \quad (6.17)$$

Also, by (6.6) we have  $\mathcal{G}[S, f](t_0, w(t_0)) \geq \mathcal{G}[S, f](t_0, \xi_0) - (w(t_0) - \xi_0)_-$ . Using this and (6.17) for  $(t_1, t_2) = (t_0, t'_0)$  in (6.16) gives

$$\mathcal{G}[S, f](t'_0, \xi_0) \geq \inf_{w(t_0) \in \mathbb{R}} \inf_{u \in (0, \bar{\lambda}]} \left\{ (t'_0 - t_0)u\theta\left(\frac{w(t'_0) - w(t_0)}{(t'_0 - t_0)u}\right) + \mathcal{G}[S, f](t_0, \xi_0) - (w(t_0) - \xi_0)_- \right\}. \quad (6.18)$$

By (6.15), the infimum over  $u \in (0, \bar{\lambda}]$  in (6.18) occurs at  $u \downarrow 0$ . Taking such a limit  $u \downarrow 0$  using (6.14) for  $\beta = w(t'_0) - w(t_0)$  gives

$$\lim_{u \downarrow 0} (t'_0 - t_0)u\theta\left(\frac{w(t'_0) - w(t_0)}{(t'_0 - t_0)u}\right) = (w(t'_0) - w(t_0))_+ = (\xi_0 - w(t_0))_+.$$

From this we then obtain

$$\mathcal{G}[S, f](t'_0, \xi_0) \geq \inf_{w(t_0) \in \mathbb{R}} \{ (\xi_0 - w(t_0))_+ + \mathcal{G}[S, f](t_0, \xi_0) - (w(t_0) - \xi_0)_- \} \geq \mathcal{G}[S, f](t_0, \xi_0).$$

This completes the proof of (6.5).

(c) Fixing  $s_0 \leq t'_0 \leq t_0 \in [0, T]$ , a piecewise  $C^1$  path  $w : [s_0, t_0] \rightarrow \mathbb{R}$ , we write  $\mathcal{C} := \mathcal{C}(t_0, w(t_0))$  to simplify notations. Our goal is to construct  $v \in W(t_0, w(t_0))$  that satisfies (6.9)–(6.11). To this end, without loss of generality assume  $(t, w(t)) \notin \mathcal{C}$ , for some  $t \in [s_0, t'_0]$ , otherwise simply take  $v = w$ . For such a path  $w$  let  $s_\star := \inf\{t \in [s_0, t'_0] : (t, w(t)) \notin \mathcal{C}\}$  denote the first exists time from  $\mathcal{C}$ . Let  $(s_0, \xi_0^\pm)$  denote the intersection of  $\partial\mathcal{C}$  and  $\{s_0\} \times \mathbb{R}$ , i.e.,  $\xi_0^\pm := w(t'_0) \pm \bar{\lambda}(t'_0 - s_0)$ . We set

$$\begin{aligned} v(t) &:= w(t)\mathbf{1}_{[s_0, s_\star] \cup (t'_0, t_0]}(t) + \left( (t - s_\star) \frac{w(t'_0) - \alpha}{t'_0 - s_\star} + \alpha \right) \mathbf{1}_{[s_\star, t'_0]}(t), \\ \alpha &:= \begin{cases} w(s_\star), & \text{if } s_\star > s_0, \\ \xi_0^+, & \text{if } s_\star = s_0, \text{ and } w(s_0) \in (\xi_0^+, \infty), \\ \xi_0^-, & \text{if } s_\star = s_0, \text{ and } w(s_0) \in (-\infty, \xi_0^-). \end{cases} \end{aligned}$$

Such a path  $v$  indeed satisfies (6.9)–(6.10). To verify the last condition (6.11), using  $w|_{[s_0, s_\star] \cup (t'_0, t_0]} = v|_{[s_0, s_\star] \cup (t'_0, t_0]}$ , we write

$$(\Theta_{s_0, t_0}(w; S) + f(w(s_0))) - (\Theta_{s_0, t_0}(v; S) + f(v(s_0)))$$



$$= \begin{cases} \Theta_{s_*, t'_0}(w; S) - \Theta_{s_*, t'_0}(v; S) & , \text{ if } s_* > s_0, \\ (\Theta_{s_*, t'_0}(w; S) + f(w(s_0))) - (\Theta_{s_*, t'_0}(v; S) + f(\alpha)) & , \text{ if } s_* = s_0. \end{cases} \quad (6.19)$$

Next, apply (6.17) with  $(t_1, t_2) = (s_*, t'_0)$  to get

$$\Theta_{s_*, t'_0}(w; S) \geq (t'_0 - s_*)u_* \theta\left(\frac{w(t_0) - w(s_*)}{(t'_0 - s_*)u_*}\right) \quad \text{where } u_* := \int_{s_*}^{t'_0} S(t, w(t))dt. \quad (6.20)$$

Since  $S \leq \bar{\lambda}$ , we have  $u_* \leq \bar{\lambda}$ , so  $\frac{w(t_0) - w(s_*)}{(t'_0 - s_*)u_*} \geq \frac{w(t'_0) - w(s_*)}{(t_0 - s_*)\bar{\lambda}} = 1$ . With this property, using (6.14) for  $\beta = \frac{w(t_0) - w(s_*)}{t_0 - s_*}$  and  $u = u_*$  in (6.20) gives

$$\Theta_{s_*, t'_0}(w; S) \geq (w(t'_0) - w(s_*))_+. \quad (6.21)$$

As for  $\Theta_{s_*, t'_0}(v; S)$ , since the path  $v$  has a *constant* derivative  $v'(t) = \pm\bar{\lambda}$  for  $t \in (s_*, t'_0)$ , using (6.14) for  $\beta = v'(t)$  and  $u = S(t, v(t))$ , and integrating the result over  $t \in (s_*, t'_0)$ , we obtain

$$\Theta_{s_*, t'_0}(v; S) = \int_{s_*}^{t'_0} (v'(t))_+ dt = (v(t'_0) - v(s_*))_+ = (w(t'_0) - v(s_*))_+. \quad (6.22)$$

Given (6.19), Our goal of showing (6.11) amounts to showing the r.h.s. of (6.19) is nonnegative. For the case  $s_* > s_0$ , we have  $v(s_*) = w(s_*)$ , so combining (6.21)–(6.22) gives  $\Theta_{s_*, t'_0}(w; S) - \Theta_{s_*, t'_0}(v; S) \geq 0$ . Inserting this into (6.19) gives the desired result. For the case  $s_* = s_0$ , we consider further the sub-cases  $w(s_0) \in (-\infty, \xi_0^-)$  and  $w(s_0) \in (\xi_0^+, \infty)$ , as follows:

- if  $w(s_0) \in (\xi_0^+, \infty)$ , we have  $f(w(s_0)) \geq f(\xi_0^+) = f(\alpha)$ . Using this and (6.21)–(6.22) gives
 
$$(\Theta_{s_*, t'_0}(w; S) + f(w(s_0))) - (\Theta_{s_*, t'_0}(v; S) + f(\alpha)) \geq (w(t'_0) - w(s_0))_+ - (w(t'_0) - \xi_0^+)_+ = 0.$$
- if  $w(s_0) \in (-\infty, \xi_0^-)$ ,  $f(w(s_0)) \geq f(\xi_0^-) - (\xi_0^- - w(s_0)) = f(\alpha) - (\xi_0^- - w(s_0))$ . Using this and (6.21)–(6.22) gives

$$\begin{aligned} & (\Theta_{s_*, t'_0}(w; S) + f(w(s_0))) - (\Theta_{s_*, t'_0}(v; S) + f(\alpha)) \\ & \geq (w(t'_0) - w(s_0))_+ - (w(t'_0) - \xi_0^-)_+ - (\xi_0^- - w(s_0)) = 0. \end{aligned}$$

The preceding discussions verify that (6.19) is nonnegative.

(d) Fix  $(t_0, \xi_0) \in [s_0, T] \times \mathbb{R}$ . Applying Part(c) with  $(s_0, t'_0, t_0) = (s_0, t_0, t_0)$ , have that

$$\begin{aligned} \mathcal{G}_{s_0}[S, f](t_0, \xi_0) & := \{\Theta_{s_0, t_0}(w; S) + f(w(s_0)) : w \in W_{s_0}(t_0, \xi_0), (t, w(t))|_{t \in [s_0, t_0]} \in \mathcal{C}(t_0, \xi_0)\} \\ & = \{\Theta_{s_0, t_0}(w; S) + f(w(s_0)) : w \in W_{s_0}(t_0, \xi_0), (t, w(t))|_{t \in (s_0, t_0)} \in \mathcal{C}'(s_0, t_0, \xi_0)\}. \end{aligned} \quad (6.23)$$

The last expression depends on  $S$  and  $f$  only through  $S|_{\mathcal{C}'(s_0, t_0, \xi_0)}$  and  $f(\xi)|_{\xi: (s_0, \xi) \in \mathcal{C}(t_0, \xi_0)}$ . From this we conclude the desired result.

(e) Similarly to (6.23), applying Part(c) with  $(s_0, t'_0, t_0) = (0, t_0, t_0)$  gives

$$\mathcal{G}[S, f](t_0, \xi_0) := \{\Theta_{0, t_0}(w; S) + f(w(s_0)) : w \in W(t_0, \xi_0), (t, w(t))|_{t \in [0, t_0]} \in \mathcal{C}(t_0, \xi_0)\}. \quad (6.24)$$

The desired results follow immediately by comparing the expressions (6.23)–(6.24) for  $f = f_1$  and for  $f = f_2$ .  $\square$

In view of the overview given in Section 6.1, to prepare for the construction of  $\tilde{\Lambda}_{m, n}$ , here we solve explicitly the variational formula (5.3) of Hopf and Lax, for a few piecewise constant speed functions  $S$  and piecewise linear initial conditions  $f$ . To setup notations, fix  $\kappa, \kappa^-, \kappa^+ \in (0, \infty)$ ,  $\rho, \rho^-, \rho^+ \in (0, 1)$ , and set  $\lambda := \frac{\kappa}{\rho(1-\rho)}$ ,  $\lambda^\pm := \frac{\kappa^\pm}{\rho^\pm(1-\rho^\pm)}$ . We assume  $\lambda, \lambda^\pm \in (0, \bar{\lambda}]$ . Fix further  $\zeta_0 \in \mathbb{R}$  and  $s_0 \in [0, T]$ , we divide the region  $[s_0, T] \times \mathbb{R}$  into two parts: through a vertical cut into

$$\mathcal{A}^- := [s_0, T] \times (-\infty, \zeta_0), \quad \mathcal{A}^+ := [s_0, T] \times (\zeta_0, \infty); \quad (6.25)$$

or through a diagonal cut into

$$\mathcal{B}^- := \{(t, \xi) : \xi < \zeta_0 + \frac{b}{\tau}(t - s_0), t \in [s_0, T]\}, \quad \mathcal{B}^+ := \{(t, \xi) : \xi > \zeta_0 + \frac{b}{\tau}(t - s_0) t \in [s_0, T]\}. \quad (6.26)$$

Under these notations, consider a pair  $(S, f)$  of speed function and  $\mathcal{E}$ -valued profile, of the following form:

- (a) constant  $S := \lambda$ , and linear  $f \in \mathcal{E}$  with  $f' := \rho$ ;



- (b) piecewise constant  $S$  with  $S|_{\mathcal{A}^\pm} := \lambda^\pm$  and unique extension onto  $[s_0, T] \times \mathbb{R}$  by lower semi-continuity, and a piecewise linear  $f \in \mathcal{E}$  with  $f'|_{(-\infty, \zeta_0)} = \rho^-$  and  $f'|_{(\zeta_0, \infty)} = \rho^+$ ;
- (c) piecewise constant  $S$  with  $S|_{\mathcal{B}^\pm} := \lambda^\pm$  and unique extension onto  $[s_0, T] \times \mathbb{R}$  by lower semi-continuity, and a piecewise linear  $f \in \mathcal{E}$  with  $f'|_{(-\infty, \zeta_0)} = \rho^-$  and  $f'|_{(\zeta_0, \infty)} = \rho^+$ ;
- (d) constant speed function  $S := 1$ , and a piecewise linear  $f \in \mathcal{E}$  with  $f'|_{(-\infty, \zeta_0)} = \rho^-$  and  $f'|_{(\zeta_0, \infty)} = \rho^+$ ;

See Figure 7 for an illustration.

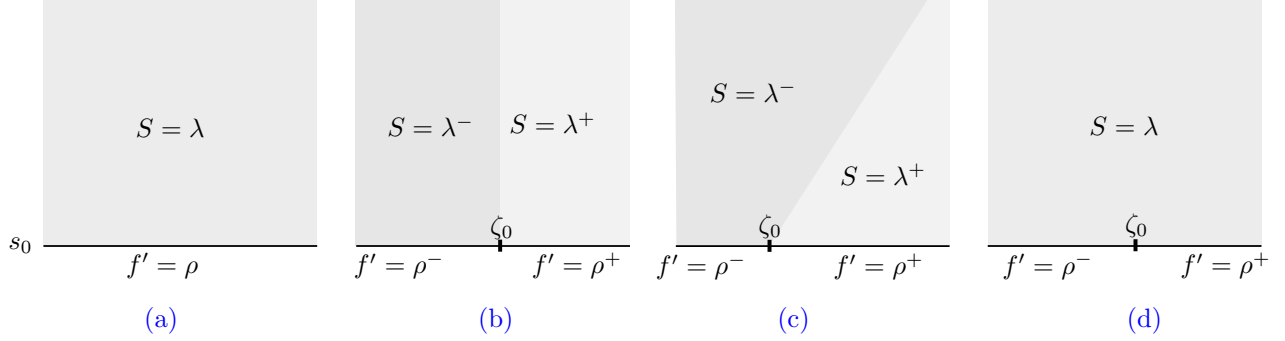


FIGURE 7. Four types of  $(S, f)$

For each of the case (b)–(d) in the preceding, we assume the following condition:

$$(b) \quad \kappa^- = \kappa^+; \quad (6.27)$$

$$(c) \quad \kappa^- + \frac{b}{\tau} \rho^- = \kappa^+ + \frac{b}{\tau} \rho^+, \quad (6.28)$$

$$(d) \quad \kappa^- + \kappa^+ = \kappa^+. \quad (6.29)$$

Under these assumptions, for each of the case (a)–(d) in the preceding, we consider a piecewise linear function  $\Gamma$ , specified by its derivatives and value at  $(s_0, 0)$ , as follows:

$$\begin{aligned} \Gamma \in C([s_0, T] \times \mathbb{R}), \quad \Gamma(s_0, \mathbb{R}) &:= f(0), \\ (a) \quad \nabla \Gamma(t, \xi) &:= (\kappa, \rho), \quad \forall (t, \xi) \in [s_0, T] \times \mathbb{R}, \\ (b) \quad \nabla \Gamma(t, \xi) &:= (\kappa^\pm, \rho^\pm), \quad \forall (t, \xi) \in \mathcal{A}^\pm; \\ (c) \quad \nabla \Gamma(t, \xi) &:= (\kappa^\pm, \rho^\pm), \quad \forall (t, \xi) \in \mathcal{B}^\pm; \\ (d) \quad \nabla \Gamma(t, \xi) &:= (\kappa^\pm, \rho^\pm), \quad \forall (t, \xi) \in \mathcal{A}^\pm. \end{aligned} \quad (6.30)$$

Indeed, given  $f(0)$ , (6.30) admits *at most* one such function  $\Gamma$ . The conditions (6.27)–(6.29) ensures the existence of such  $\Gamma$ . The following Lemma shows that, under suitable conditions, the Hopf–Lax function  $\mathcal{G}[S, f]$  is given by the piecewise linear  $\Gamma$  for each of the case (a)–(d).

**Lemma 6.2.** *Let  $\kappa, \kappa^\pm, \rho, \rho^\pm, \lambda, \lambda^\pm$  be as in the preceding, and assume  $\lambda, \lambda^\pm \in (0, \bar{\lambda}]$ . Consider  $(S, f)$  of the form (a)–(d) as in the preceding. For each of the cases, we assume (6.27)–(6.29) and, additionally:*

$$(b) \quad 2\rho^- - 1 \geq 0, \quad \text{or} \quad 2\rho^+ - 1 \leq 0; \quad (6.31)$$

$$(c) \quad \lambda^-(2\rho^- - 1) \geq \frac{b}{\tau}, \quad \text{or} \quad \lambda^+(2\rho^+ - 1) \leq \frac{b}{\tau}; \quad (6.32)$$

$$(d) \quad \rho^- + \rho^+ = 1, \quad \rho^- \geq \rho^+. \quad (6.33)$$

Then, the Hopf–Lax function  $\mathcal{G}[S, f]$  matches the piecewise linear  $\Gamma$  as in (6.30):

$$\mathcal{G}[S, f] = \Gamma.$$

**Remark 6.3.** In the language of Figure 5, the conditions (6.31)–(6.32) amount to saying that characteristics must not diverge along the discontinuity of  $S$ . As for (6.33), under the assumption (6.29) the first condition  $\rho^- + \rho^+ = 1$  together with (6.29) ensures  $\lambda^\pm = 1$ , which is consistent with the form of  $S$  as in (d). This being the case, we must have  $\rho^- \geq \rho^+$  to avoid diverging characteristics.

*Proof.* Assume without loss of generality  $s_0, \zeta_0 = 0$  and  $f(0) = 0$ . Fixing arbitrary  $(t_0, \xi_0) \in [0, T] \times \mathbb{R}$ , we proceed by solving the variational problem:

$$\inf_{w \in W(t_0, \xi_0)} \{ \Theta_{0, t_0}(w; S) + f(w(0)) \}$$

for each of the cases (a)–(d).

(a) Applying (6.17) with  $(t_1, t_2) = (0, t_0)$  gives  $\Theta_{0, t_0}(w; \lambda) \geq t_0 \lambda \theta(\frac{\xi - w(0)}{t_0 \lambda})$ . Add  $\rho w(0)$  to both sides of the inequality, and further optimize over  $w(0)$ . We obtain

$$\mathcal{G}[\lambda, f](t_0, \xi_0) \geq (t_0 \lambda \theta(\frac{\xi - w(0)}{t_0 \lambda}) + \rho w(0)) \Big|_{w(0) = \xi - (2\rho - 1)\lambda t_0} = \kappa t_0 + \rho \xi_0.$$

Conversely, the linear path  $\tilde{w}(t) := \xi_0 - (2\rho - 1)\lambda(t_0 - t)$ ,  $\tilde{w} \in W(t_0, \xi_0)$ , does yield the desired value, i.e.,  $\Theta_{0, t_0}(w_0; \lambda) + \rho \tilde{w}(0) = \kappa t_0 + \rho \xi_0$ . This concludes the desired result:

$$\mathcal{G}[\lambda, \rho \xi](t_0, \xi_0) = \inf_{w \in W(t_0, \xi_0)} \{ \Theta_{0, t_0}(w; \lambda) + \rho w(0) \} = \kappa t_0 + \rho \xi_0, \quad \text{for } \lambda := \frac{\kappa}{\rho(1 - \rho)}. \quad (6.34)$$

(b) Assume  $\lambda^- \leq \lambda^+$  for simplicity of notations. The proof of the other scenario  $\lambda^- > \lambda^+$  is similar. We consider first the case when  $(t_0, \xi_0)$  sits on where  $S$  is discontinuous, i.e.,  $\xi_0 = \zeta_0 := 0$ , and prove  $\mathcal{G}[S, f](t_0, 0) = \kappa^- t_0$ . To this end, given any  $w \in W(t_0, 0)$ , with  $S(t_0, w(t_0)) = \lambda^-$ , let  $s_0 := \inf\{[0, t_0] : S(s, w(s)) = \lambda^-\}$  be the entrance time of  $w$  into the region  $[0, T] \times (-\infty, 0]$ .

- If  $s_0 = 0$ , we have  $w(s_0) \leq 0$  and  $S(s, w(s))|_{s \in [0, t_0]} = \lambda^-$ . The last two conditions give  $\Theta_{0, t_0}(w; S) + f(w(0)) = \Theta_{0, t_0}(w; \lambda^-) + \rho^- w(0)$ . Combining this with (6.34) for  $\xi_0 = 0$  and  $(\kappa, \rho) = (\kappa^-, \rho^-)$  gives

$$\Theta_{0, t_0}(w; S) + f(w(0)) = \Theta_{0, t_0}(w; \lambda^-) + \rho^- w(0) \geq \kappa^- t_0.$$

- If  $s_0 > 0$ , decompose  $\Theta_{0, t_0}(w; S) + f(w(0))$  as  $\Theta_{s_0, t_0}(w; S) + (\Theta_{0, s_0}(w; S) + \rho^+ w(0))$ . For the first term apply (6.17) with  $(t_1, t_2) = (s_0, t_0)$  to get

$$\begin{aligned} \Theta_{s_0, t_0}(w; S) &\geq (t_0 - s_0) \lambda^- \theta(0) = (t_0 - s_0) \frac{1}{4} \lambda^- \\ &\geq (t_0 - s_0) \rho^- (1 - \rho^-) \lambda^- = (t_0 - s_0) \kappa^-. \end{aligned} \quad (6.35)$$

For the second term, with  $S(0, w(s))|_{s \in [0, s_0]} = \lambda^+$ , applying (6.17) with  $(t_1, t_2) = (0, s_0)$  gives

$$\Theta_{0, s_0}(w; S) + \rho^+ w(0) \geq s_0 \lambda^+ \theta(\frac{-w(0)}{s_0 \lambda^+}) + \rho^+ w(0). \quad (6.36)$$

Let  $w_*(t) := w(0) - t \frac{w(0)}{t_0}$  denote the linear path that joins  $(0, w(0))$  and  $(t_0, 0)$ . Applying (6.34) with  $(t_0, \xi_0; \kappa, \rho) = (s_0, 0; \kappa^+, \rho^+)$  gives

$$s_0 \lambda^+ \theta(\frac{-w(0)}{s_0 \lambda^+}) + \rho^+ w(0) = \Theta_{0, s_0}(w_*; \lambda^+) + \rho^+ w_*(0) \geq \kappa^+ t_0.$$

Inserting this into (6.36), and combining the result with (6.35), we obtain

$$\Theta_{0, t_0}(w; S) + f(w(0)) \geq \kappa^- (t_0 - s_0) + \kappa^+ s_0 = \kappa^- t_0.$$

The preceding argument gives  $\mathcal{G}[S, f](t_0, 0) \geq \kappa^- t_0$ . Conversely, for the linear paths

$$\begin{aligned} \tilde{w}^-(t) &:= \lambda^- (2\rho^- - 1)(t - t_0), \\ \tilde{w}_\delta^+(t) &:= \lambda^+ ((2\rho_\delta^+ - 1)(t - t_0)), \quad \rho_\delta^+ := \rho^+ \wedge (1 - \delta), \end{aligned}$$

it is straightforward to verify that

$$\begin{aligned} \Theta_{0, t_0}(\tilde{w}^-; S) + f(\tilde{w}^-(0)) &= (\rho^-)^2 t_0 \lambda^- - \rho^- \left| \lambda^- (2\rho^- - 1)(-t_0) \right| = \kappa^- t_0, & \text{if } 2\rho^- - 1 \geq 0, \\ \Theta_{0, t_0}(\tilde{w}_\delta^+; S) + f(\tilde{w}_\delta^+(0)) &= (\rho_\delta^+)^2 t_0 \lambda^+ + \rho^+ \left| \lambda^+ (2\rho_\delta^+ - 1)(-t_0) \right| \xrightarrow{\delta \downarrow 0} \kappa^+ t_0, & \text{if } 2\rho^+ - 1 \leq 0. \end{aligned}$$

That is, under the assumption (6.31), one of the linear path  $w_1$  or  $w_2^\delta$  (under a limiting procedure  $\delta \downarrow 0$ ) does yield the value  $\kappa^- t_0 = \kappa^+ t_0$ .

So far we have shown  $\mathcal{G}[S, f](t_0, 0) = \kappa^- t_0$ ,  $\forall t_0 \in [0, T]$ . Next, fix  $\xi_0 < 0$ . Applying Lemma 6.1(a) with  $\mathcal{A} = [0, T] \times (-\infty, 0)$  and  $h = \mathcal{G}[S, f]$ , we localize the expression  $\mathcal{G}[S, f](t_0, \xi_0)$  onto  $[0, T] \times (-\infty, 0)$  as

$$\mathcal{G}[S, f](t_0, \xi_0) = \inf_{w \in W_{\mathcal{A}}(t_0, \xi_0)} \{ \Theta_{t_w, t}(w; S) + \mathcal{G}[S, f](t_w, w(t_w)) \}. \quad (6.37)$$

Similarly, applying Lemma 6.1(a) with  $\mathcal{A} = [0, T] \times (-\infty, 0)$  and  $h = \mathcal{G}[\lambda^-, \rho^- \xi]$  gives

$$\mathcal{G}[\lambda^-, \rho^- \xi](t_0, \xi_0) = \inf_{w \in W_{\mathcal{A}}(t_0, \xi_0)} \left\{ \Theta_{t_w, t}(w; \lambda^-) + \mathcal{G}[\lambda^-, \rho^- \xi](t_w, w(t_w)) \right\}. \quad (6.38)$$

In (6.38), further using (6.34) for  $(\kappa, \lambda) = (\kappa^-, \lambda^-)$  to replace  $\mathcal{G}[\lambda^-, \rho^- \xi](t, \xi)$  with  $\kappa^- t + \rho^- \xi$ , we rewrite (6.38) as

$$\kappa^- t_0 + \rho^- \xi_0 = \inf_{w \in W_{\mathcal{A}}(t_0, \xi_0)} \left\{ \Theta_{t_w, t}(w; \lambda^-) + \kappa^- t_w + \rho^- w(t_w) \right\}. \quad (6.39)$$

The r.h.s. of (6.37) depends on  $S$  and  $\mathcal{G}[S, f]$  only through  $S|_{[0, T] \times (-\infty, 0)}$ ,  $\mathcal{G}[S, f](\cdot, 0)$  and  $\mathcal{G}[S, f](0, \xi)|_{\xi \leq 0}$ . Since  $S|_{[0, T] \times (-\infty, 0)} = \lambda^-$ ,  $\mathcal{G}[S, f](t, 0) = \kappa^- t$ ,  $\mathcal{G}[S, f](0, \xi)|_{\xi \leq 0} = \rho^- \xi$ , we conclude that the r.h.s. of (6.37) and (6.39) must be the same. This gives  $\mathcal{G}[S, f](t_0, \xi_0) = \kappa^- t_0 + \rho^- \xi_0 = \kappa^- t_0 + f(\xi_0)$  for  $\xi_0 < 0$ . The case  $\xi_0 > 0$  follows by the same localization and matching procedures.

(c) Assume  $\lambda^- \leq \lambda^+$  for simplicity of notations. The proof of the other scenario  $\lambda^- > \lambda^+$  is similar. We consider first the case when  $(t_0, \xi_0)$  sits on where  $S$  is discontinuous, i.e.,  $\xi_0 = \frac{b}{\tau} t_0$ , and prove  $\mathcal{G}[S, f](t_0, \xi_0) = (\kappa^- + \frac{b}{\tau} \rho^-) t_0$ . To this end, for any given  $w \in W(t_0, \xi_0)$ , with  $S(t_0, w(t_0)) = \lambda^-$ , we let  $s_0 := \inf\{[0, t_0] : S(s, w(s)) = \lambda^-\}$  be the entrance time of  $w$  into the region  $\{(t, \xi) : \xi \leq t \frac{b}{\tau}\}$ .

- If  $s_0 = 0$ , namely  $w(s_0) \leq 0$  and  $S(s, w(s))|_{s \in [0, t_0]} = \lambda^-$ , we have  $\Theta_{0, t_0}(w; S) + f(w(0)) = \Theta_{0, t_0}(w; \lambda^-) + \rho^- w(0)$ . Combining this with (6.34) for  $(\kappa, \rho) = (\kappa^-, \rho^-)$  gives

$$\Theta_{0, t_0}(w; S) + f(w(0)) = \Theta_{0, t_0}(w; \lambda^-) + \rho^- w(0) \geq \kappa^- t_0 + \rho^- \xi_0 = (\kappa^- + \frac{b}{\tau} \rho^-) t_0.$$

- If  $s_0 > 0$ , decompose  $\Theta_{0, t_0}(w; S) + f(w(0))$  as  $\Theta_{s_0, t_0}(w; S) + (\Theta_{0, s_0}(w; S) + \rho^+ w(0))$ . For the first term applying (6.17) with  $(t_1, t_2) = (s_0, t_0)$  gives

$$\Theta_{s_0, t_0}(w; S) \geq (t_0 - s_0) \lambda^- \theta\left(\frac{b}{\tau \lambda^-}\right). \quad (6.40)$$

For the second term, with  $S(0, w(s))|_{s \in [0, s_0]} = \lambda^+$ , applying (6.17) with  $(t_1, t_2) = (0, s_0)$  gives

$$\Theta_{0, s_0}(w; S) + \rho^+ w(0) \geq s_0 \lambda^+ \theta\left(\frac{w(s_0) - w(0)}{s_0 \lambda^+}\right) + \rho^+ w(0). \quad (6.41)$$

Further, letting  $w_*(t) := w(0) + t \frac{w(s_0) - w(0)}{s_0}$  denote the linear path that joins  $(0, w(0))$  and  $(s_0, w(s_0))$ , applying (6.34) with  $(t_0, \xi_0; \kappa, \rho) = (s_0, w(s_0); \kappa^+, \rho^+)$ , we obtain

$$s_0 \lambda^+ \theta\left(\frac{w(s_0) - w(0)}{s_0 \lambda^+}\right) + \rho^+ w(0) = \Theta_{0, s_0}(w_*; \lambda^+) + \rho^+ w_*(0) \geq \kappa^+ s_0 + w(s_0) \rho^+. \quad (6.42)$$

Use  $w(s_0) = \frac{b}{\tau} s_0$  and  $\kappa^+ + \frac{b}{\tau} \rho^+ = \kappa^- + \frac{b}{\tau} \rho^-$  in the last expression in (6.42), and then combine the result with (6.41). We have

$$\Theta_{0, s_0}(w; S) + \rho^+ w(0) \geq (\kappa^- + \frac{b}{\tau} \rho^-) s_0. \quad (6.43)$$

Combining (6.40) and (6.43) gives

$$\begin{aligned} \Theta_{0, t_0}(w; S) + \rho^+ w(0) &\geq (t_0 - s_0) \lambda^- \theta\left(\frac{b}{\tau \lambda^-}\right) + (\kappa^- + \frac{b}{\tau} \rho^-) s_0 \\ &\geq t_0 \min \left\{ \lambda^- \theta\left(\frac{b}{\tau \lambda^-}\right), \kappa^- + \frac{b}{\tau} \rho^- \right\}. \end{aligned} \quad (6.44)$$

Let  $w_{**}(t) = \frac{b}{\tau} t$  denote the linear path that goes along the discontinuity of  $S$ . Using (6.34) for  $(t_0, \xi_0; \kappa, \rho) = (t_0, w_{**}(t_0); \kappa^-, \rho^-)$  we have

$$t_0 \lambda^- \theta\left(\frac{b}{\tau \lambda^-}\right) = \Theta_{0, t_0}(w_{**}; \lambda^-) + \rho^- w_{**}(0) \geq \kappa^- t_0 + \rho^- \xi_0 = t_0 (\kappa^- + \frac{b}{\tau} \rho^-).$$

Inserting this into (6.44) gives

$$\Theta_{0, t_0}(w; S) + \rho^+ w(0) \geq t_0 (\kappa^- + \frac{b}{\tau} \rho^-).$$

The preceding argument gives  $\mathcal{G}[S, f](t_0, \xi_0) \geq (\kappa^- + \frac{b}{\tau} \rho^-) t_0$ . Conversely, for the linear paths

$$\begin{aligned} w^-(t) &:= \lambda^-(2\rho^- - 1)(t - t_0) + \frac{b}{\tau} t_0, \\ w_\delta^+(t) &:= \lambda^+(2\rho_\delta^+ - 1)(t - t_0) + \frac{b}{\tau} t_0, \quad \rho_\delta^+ := \rho^+ \wedge \left(\frac{1}{2} \left(\frac{b}{\tau \lambda^+} + 1 - \delta\right)\right), \end{aligned}$$

it is straightforward to verify that

$$\begin{aligned} \Theta_{0, t_0}(\tilde{w}^-; S) + f(w^-(0)) &= (\kappa^- + \frac{b}{\tau} \rho^-) t_0, & \text{if } \lambda^-(2\rho^- - 1) \geq \frac{b}{\tau}, \\ \lim_{\delta \downarrow 0} \Theta_{0, t_0}(\tilde{w}_\delta^+; S) + f(w_\delta^+(0)) &= (\kappa^+ + \frac{b}{\tau} \rho^+) t_0 = (\kappa^- + \frac{b}{\tau} \rho^-) t_0, & \text{if } \lambda^+(2\rho^+ - 1) \leq \frac{b}{\tau}. \end{aligned}$$

That is, under the assumption (6.32), one of the linear paths  $w_i^\delta$  (under a limiting procedure) does yield the value  $t_0(\kappa^- + \frac{b}{\tau}\rho^-)$ .

So far we have shown  $\mathcal{G}[S, f](t, t\frac{b}{\tau}) = (\kappa^- + \frac{b}{\tau})t$ . The desired result  $\mathcal{G}[S, f](t, \xi) = f(\xi - \frac{b}{\tau}t) + (\kappa^- + \frac{b}{\tau})t$  follows by the same localization and matching procedures as in Part(b).

(d) We consider first the case  $(t_0, \xi_0)$  sits on where  $S$  is discontinuous, i.e.,  $\xi_0 = 0$ , and prove  $\mathcal{G}[S, f](t_0, 0) = \kappa t_0$ . Fix a generic  $w \in W(t_0, 0)$ . Since  $f(\xi) = \rho^- \xi \mathbf{1}_{\xi < 0} + \rho^+ \xi \mathbf{1}_{\xi \geq 0}$ , depending on where  $w(0)$  sits, we have

$$\Theta_{0, t_0}(1; w) + f(w(0)) = \begin{cases} \Theta_{0, t_0}(1; w) + \rho^+ w(0), & \text{if } w(0) \geq 0, \\ \Theta_{0, t_0}(1; w) + \rho^- w(0), & \text{if } w(0) \leq 0, \end{cases} \quad (6.45)$$

By (6.34) for  $\xi_0 = 0$  and  $(\kappa, \rho) = (\rho^\pm(1 - \rho^\pm), \rho^\pm)$  (where  $\kappa := \rho^\pm(1 - \rho^\pm)$  so that  $\lambda := \frac{\kappa}{\rho^\pm(1 - \rho^\pm)} = 1$ ), the r.h.s. of (6.45) is bounded below by

$$\begin{cases} \rho^-(1 - \rho^-), & \text{if } w(0) \geq 0, \\ \rho^+(1 - \rho^+), & \text{if } w(0) < 0. \end{cases}$$

Under the assumption  $\rho^- + \rho^+ = 1$  from (6.33), we have  $\rho^-(1 - \rho^-) = \rho^+(1 - \rho^+)$ . This being the case, taking the infimum over  $w \in W(t_0, 0)$  gives  $\mathcal{G}[1, f](t_0, 0) \geq \rho^-(1 - \rho^-)t_0$ . Conversely, under the assumption  $\rho^- \geq \rho^+$  from (6.33), the linear paths  $\tilde{w}^\pm(t) := (2\rho^\pm - 1)(t - t_0)$  both give the optimal value  $\rho^\pm(1 - \rho^\pm)t_0$ . That is,

$$\Theta_{0, t_0}(1; \tilde{w}^-) + f(\tilde{w}^-(0)) = \rho^-(1 - \rho^-)t_0 = \rho^+(1 - \rho^+)t_0 = \Theta_{0, t_0}(1; \tilde{w}^+) + f(\tilde{w}^+(0)).$$

So far we have shown  $\mathcal{G}[1, f](t, 0) = \rho^-(1 - \rho^-)t$ . The desired result  $\mathcal{G}[1, f](t, \xi) = f(\xi) + \rho^-(1 - \rho^-)t$  follows by the same localization and matching procedures as in Part(b).  $\square$

**6.3. Constructing  $\tilde{\Lambda}_{m, n}$ .** First, we set  $\tilde{\Lambda}_{m, n}$  to unity outside of  $[0, T] \times [-r^*, r^*]$ , i.e.,

$$\tilde{\Lambda}_{m, n}(t, \xi)|_{|\xi| > r^*} := 1. \quad (6.46)$$

Recall that each  $\triangle \in \Sigma$  has height  $\tau$  and width  $b$ , such that  $\frac{T}{\tau}, \frac{r^*}{b} \in \mathbb{N}$  (the latter implies  $\frac{r^*}{b} \in \mathbb{N}$ ). We write  $\ell_* := \frac{T}{\tau} \in \mathbb{N}$ . Given the auxiliary parameter  $m \in \mathbb{N}$ , we divide  $\tau, b$  into  $m$  parts, and introduce the scales:

$$\tau'_m := \frac{\tau}{m}, \quad b'_m := \frac{b}{m}. \quad (6.47)$$

Under these notations, we divide the region  $[0, T] \times [-r^*, r^*]$  into  $\ell_*$  horizontal slabs, each has height  $\tau - 6\tau'_m$ :

$$\mathcal{S}_i := [\underline{t}_i, \bar{t}_i] \times [-r^*, r^*], \quad i = 1, \dots, \ell_*, \quad (6.48)$$

$$\underline{t}_i := (i - 1)\tau + 3\tau'_m, \quad \bar{t}_i := i\tau - 3\tau'_m. \quad (6.49)$$

We omit the dependence of  $\mathcal{S}_i, \underline{t}_i$  and  $\bar{t}_i$  on  $m$  to simplify notations. Such a convention is frequently practiced in the sequel. In between the slabs  $\mathcal{S}_i$  are thin, horizontal stripes of height  $6\tau'_m$  or  $3\tau'_m$ :

$$\mathcal{T}_i := ([\bar{t}_i, \underline{t}_{i+1}] \cap [0, T]) \times [-r^*, r^*], \quad i = 0, \dots, \ell_*. \quad (6.50)$$

We refer to these regions  $\mathcal{T}_i$  as the **transition zones**, transitioning from one slab to another. See Figure 8. We set  $\tilde{\Lambda}_{m, n}$  to unity within the interior  $\mathcal{T}_i^\circ$  of each transition zone:

$$\tilde{\Lambda}_{m, n}|_{\mathcal{T}_i^\circ} := 1, \quad i = 0, \dots, \ell_*. \quad (6.51)$$

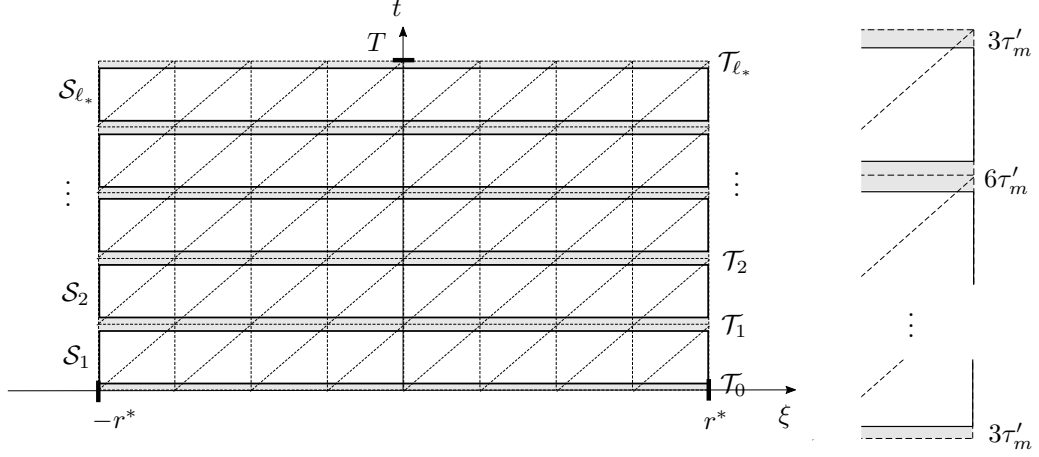
Fixing  $i \in \{1, \dots, \ell_*\}$ , we now focus on constructing  $\tilde{\Lambda}_{m, n}$  within the slab  $\mathcal{S}_i$ . To this end, we will first construct a partition  $\mathcal{X}_i$  of  $\mathcal{S}_i$ , and then, build  $\tilde{\Lambda}_{m, n}$  as a piecewise constant function on  $\mathcal{S}_i$  according to this partition  $\mathcal{X}_i$ .

**Constructing the partition  $\mathcal{X}_i$ .** To setup notations, we write

$$(t_1, \xi_1) - (t_2, \xi_2) := \left\{ (t, \frac{\xi_2 - \xi_1}{t_2 - t_1}(t - t_1)) \right\}_{t \in [t_1, t_2]}$$

for the line segment joining  $(t_1, \xi_1)$  and  $(t_2, \xi_2)$ , and consider the sets of vertical and diagonal edges from  $\Sigma$  that intersect  $\mathcal{S}_i$ :

$$\begin{aligned} E_i^v &:= \left\{ e = ((i - 1)\tau, jb) - (i\tau, jb) : j = -\frac{r^*}{b}, \dots, \frac{r^*}{b} \right\}, \\ E_i^d &:= \left\{ e = ((i - 1)\tau, (j - 1)b) - (i\tau, jb) : j = -\frac{r^*}{b} + 1, \dots, \frac{r^*}{b} \right\}. \end{aligned} \quad (6.52)$$

FIGURE 8. The Slabs  $\mathcal{S}_i$  (white boxes) and transition zones  $\mathcal{T}_i$  (gray)

Around each vertical or diagonal edge  $e \in E_j^y \cup E_j^x$ , we introduce a **buffer zone** of width  $2b'_m$  or  $b'_m$ , as depicted in Figure 9. More explicitly, for  $e^v = ((i-1)\tau, jb) - (i\tau, jb) \in E_i^y$ ,

$$\mathcal{B}_e := [\underline{t}_i, \bar{t}_i] \times \left( [jb - b'_m, jb + b'_m] \cap [-r^*, r^*] \right),$$

and for  $e^d = ((i-1)\tau, (j-1)b) - (i\tau, jb) \in E_i^d$

$$\mathcal{B}_e := \{(t, \xi) : |(\xi - (j-1)b) - (t - (i-1)\tau)| \leq b'_m, t \in [\underline{t}_i, \bar{t}_i]\}. \quad (6.53)$$

We call  $\mathcal{B}_e$  a **vertical buffer zone** if  $e \in E_i^y$ , and likewise call  $\mathcal{B}_e$  a **diagonal buffer zone** if  $e \in E_i^d$ . Referring to Figure 9, the buffer zones  $\mathcal{B}_e$  and the transition zones  $\mathcal{T}_i$  shrink the triangle  $\Delta \in \Sigma$ , resulting in trapezoidal regions. Despite the trapezoidal shapes, we refer to these regions as **reduced triangles**, use the symbol  $\underline{\Delta}$  to denote them, and let  $\Sigma_i^\times$  be the collection of all reduced triangles within the slab  $\mathcal{S}_i$ . Each reduced triangle  $\underline{\Delta}$  is uniquely contained in triangle  $\Delta \in \Sigma$ . Under such a correspondence, we set  $(\kappa_{\underline{\Delta}}, \rho_{\underline{\Delta}}, \lambda_{\underline{\Delta}}) := (\kappa_{\Delta}, \rho_{\Delta}, \lambda_{\Delta})$ .

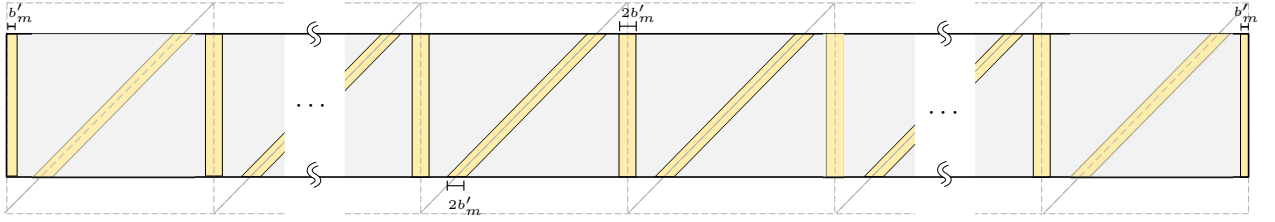


FIGURE 9. Buffer zones (yellow) and reduced triangles (gray)

As mentioned in Section 6.1, those  $\underline{\Delta} \in \Sigma_i^\times$  with  $\lambda_{\underline{\Delta}} < 1$  need an intermittent construction. To this end, we divide the slab  $\mathcal{S}_i$  into thinner slabs, each of height  $\tau'_m$ , as

$$\mathcal{S}_{i,i'} := [\underline{t}_{i,i'}, (i-1)\tau + i'\bar{t}_{i,i'}] \times [-r^*, r^*], \quad i' = 4, \dots, m-3, \quad (6.54)$$

$$\underline{t}_{i,i'} := (i-1)\tau + (i'-1)\tau'_m = \underline{t}_i + (i-4)\tau'_m, \quad \bar{t}_{i,i'} := (i-1)\tau + i'\tau'_m = \bar{t}_i + (i-3)\tau'_m. \quad (6.55)$$

With  $n \in \mathbb{N}$  being an auxiliary parameter, we divide the scales  $\tau'_m, b'_m$  (as in (6.47)) into  $m^2$  parts, and introduce the finer scales

$$\tau''_n := \frac{\tau'_m}{n^2}, \quad b''_{m,n} := \frac{b'_m}{n^2}. \quad (6.56)$$

Now, fix  $\underline{\Delta} \in \Sigma_i^\times$  with  $\lambda_{\underline{\Delta}} < 1$ , and fix  $i' \in \{4, \dots, m-3\}$ . Referring to Figure 10, on  $\underline{\Delta} \cap \mathcal{S}_{i,i'}$ , we place a vertical stripe  $\mathcal{I}_{i',j''}(\underline{\Delta})$  of width  $b''_{m,n}$ , every distance  $(m-1)b''_{m,n}$  apart. These stripes start from the vertical edge of  $\underline{\Delta}$ , and continue until reaching distance  $b'_m$  from the hypotenuse. Making a vertical cut at distance

$b'_m$  from the hypotenuse, we denote the region beyond by  $\mathcal{I}_{i',\star}(\Delta)$ ; see Figure 10. We refer to  $\mathcal{I}_{i',j''}(\Delta)$  and  $\mathcal{I}_{i',\star}(\Delta)$  as the **intermittent zones**.

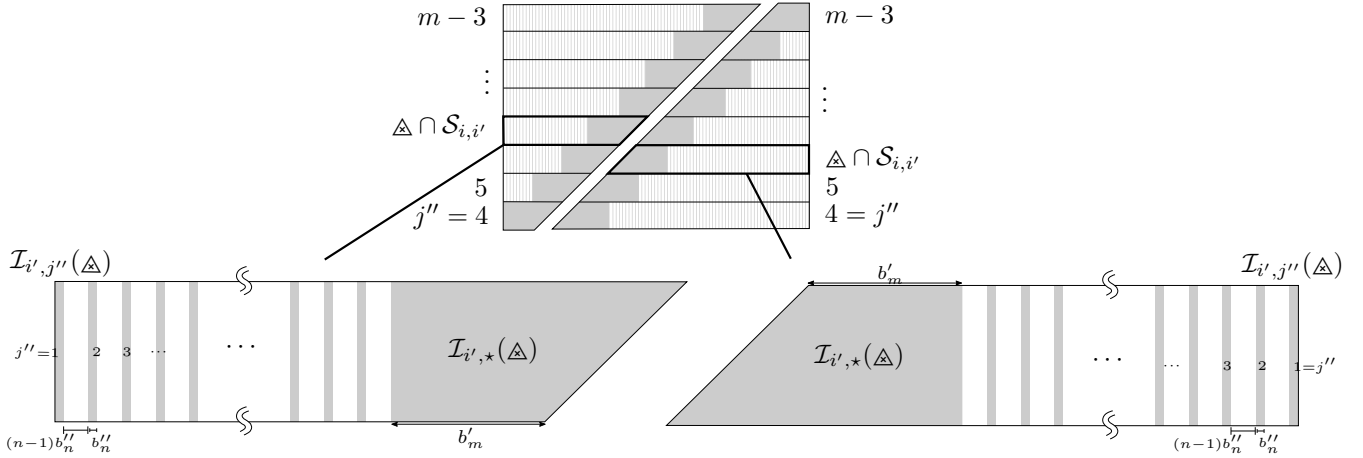


FIGURE 10. Intermittent zones (gray) on a given  $\Delta$  with  $\lambda_\Delta < 1$

Outside of the intermittent zones on  $\Delta \cap \mathcal{S}_{i,i'}$  are stripes of width  $(m-1)b''_{m,n}$ . We enumerate these regions as  $\mathcal{R}_{i',j''}(\Delta)$ , as depicted in Figure 11a. We further divide each of these regions  $\mathcal{R}_{i',j''}(\Delta)$  into two parts,  $\mathcal{R}_{i',j''}^1(\Delta)$  on the left and  $\mathcal{R}_{i',j''}^2(\Delta)$  on the right, one of width  $r_{m,n}^1(\Delta)$  and width  $r_{m,n}^2(\Delta)$ , respectively, as depicted in Figure 11b. The values of  $r_{m,n}^1(\Delta)$  and  $r_{m,n}^2(\Delta)$  are given in (6.61)–(6.62) in the following. The regions  $\mathcal{R}_{i',j''}(\Delta)$ ,  $\mathcal{R}_{i',j''}^1(\Delta)$  and  $\mathcal{R}_{i',j''}^2(\Delta)$  are referred to as **residual regions**. For convenient of notations, in the following we do not explicitly specify the range of the indice  $i', j''$  in  $\mathcal{I}_{i',j''}(\Delta)$ ,  $\mathcal{R}_{i',j''}^1(\Delta)$ , etc., under the conscientious that it always runs through admissible values as described in the preceding.

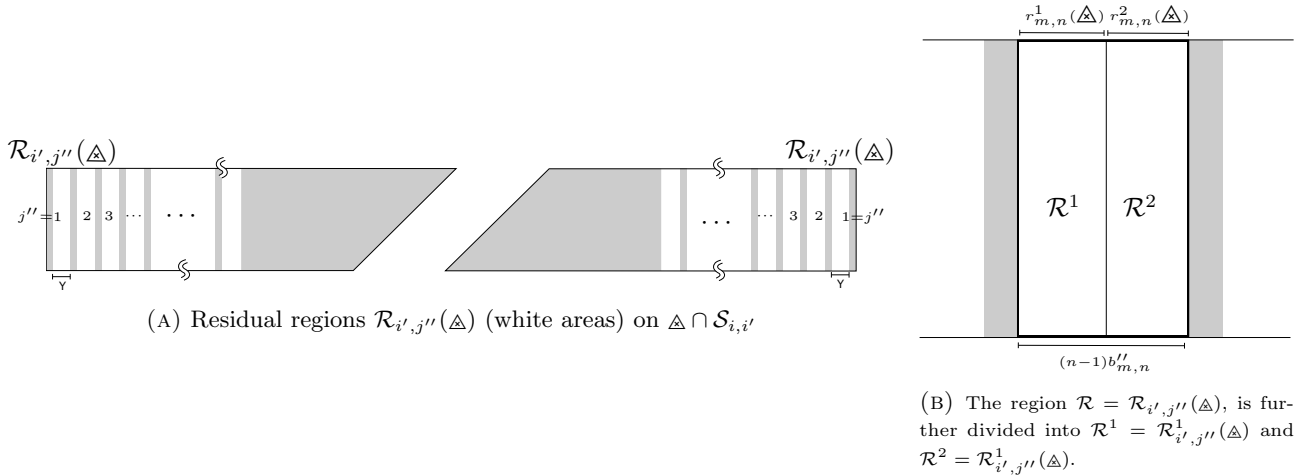


FIGURE 11. Residual regions

Collecting the regions introduced in the preceding, we define the partition  $\mathcal{Z}_i$  of the slab  $\mathcal{S}_i$  as

$$\begin{aligned} \mathcal{Z}_i := & \{ \mathcal{B}_e : e \in E_i^v \cup E_i^d \} \cup \{ \Delta \in \Sigma_i^\times : \lambda_\Delta \geq 1 \} \\ & \cup \{ \mathcal{I}_{i',\star}(\Delta), \mathcal{I}_{i',j''}(\Delta), \mathcal{R}_{i',j''}^1(\Delta), \mathcal{R}_{i',j''}^2(\Delta) : \Delta \in \Sigma_i^\times, \lambda_\Delta < 1 \}. \end{aligned}$$

Further, collecting these partitions  $\mathcal{Z}_i$ ,  $i = 1, \dots, \ell_*$ , the transition zones  $\mathcal{T}_i$  (as in (6.50)), and the ‘outer regions’  $[0, T] \times [r^*, \infty)$  and  $[0, T] \times (-\infty, r^*]$ , we obtain a partition  $\mathcal{X}$  of the entire domain  $[0, T] \times \mathbb{R}$ :

$$\mathcal{X} := \{ [0, T] \times [r^*, \infty), [0, T] \times (-\infty, -r^*] \} \cup \bigcup_{i=0}^{\ell_*} \{ \mathcal{T}_i \} \cup \bigcup_{i=1}^{\ell_*} \mathcal{Z}_i. \quad (6.57)$$

The edges of  $\mathcal{Z} \in \mathcal{X}$  collectively gives rise to a graph, and we call the collection of these edges the **skeleton**  $\text{Ske}(\mathcal{X})$ . More precisely,

$$\text{Ske}(\mathcal{X}) := \left\{ \mathcal{E} = \mathcal{Z}_1 \cap \mathcal{Z}_2 : \mathcal{Z}_1 \neq \mathcal{Z}_2 \in \mathcal{X}, \mathcal{E} \text{ is not a point} \right\}. \quad (6.58)$$

In the following we will also consider the coarser version  $\widehat{\mathcal{X}}$  of  $\mathcal{X}$ :

$$\widehat{\mathcal{X}} := \{ \mathcal{B}_e : e \in E_i^v \cup E_i^d \} \cup \Sigma_i^\times. \quad (6.59)$$

That is, we dismiss the intermittent construction on those  $\triangle \in \Sigma^\times$ ,  $\lambda_\triangle < 1$ , and replace the regions  $\{\mathcal{I}_{i',\star}(\triangle), \mathcal{I}_{i',j''}(\triangle), \mathcal{R}_{i',j''}^1(\triangle), \mathcal{N}_{i',j''}^2(\triangle)\}$  simply by  $\{\triangle\}$  itself.

Having constructed the partition  $\mathcal{X}_i$ , we proceed to define  $\widetilde{\Lambda}_{m,n}$  on each region  $\mathcal{Z} \in \mathcal{X}_i$  of  $\mathcal{X}_i$ . To do this in a streamline fashion, in the following we assign a triplet  $(\kappa_{\mathcal{Z}}, \rho_{\mathcal{Z}}, \lambda_{\mathcal{Z}})$  to each  $\mathcal{Z} \in \mathcal{X}_i$ . To this end, let us first prepare a simple result regarding  $(\kappa_\triangle, \rho_\triangle, \lambda_\triangle)_{\triangle \in \Sigma}$ .

**Lemma 6.4.** . *Let  $e \in E_i^v \cup E_i^d$ ,  $i = 1, \dots, \ell_*$ , be a vertical or diagonal edge, and  $\triangle^-, \triangle^+ \in \Sigma$  be the neighboring triangles of  $e$ . If  $e$  is vertical, we have  $\kappa_{\triangle^-} = \kappa_{\triangle^+}$ ; if  $e$  is diagonal, we have  $\kappa_{\triangle^-} + \frac{b}{\tau}\rho_{\triangle^-} = \kappa_{\triangle^+} + \frac{b}{\tau}\rho_{\triangle^+}$ .*

*Proof.* Parametrize  $e$  as  $e = (\underline{t}, \underline{\xi}) - (\bar{t}, \bar{\xi})$  and consider the difference of  $g$  across the two ends of  $e$ . With  $g$  being piecewise linear on  $\triangle^-$  and on  $\triangle^+$ , we have

$$\left. \begin{array}{l} \kappa_{\triangle^-} \\ \kappa_{\triangle^-} + \frac{b}{\tau}\rho_{\triangle^-}, \text{ if } e \in E_i^d \end{array} \right\} = \frac{g(\bar{t}, \bar{\xi}) - g(\underline{t}, \underline{\xi})}{\bar{t} - \underline{t}} = \begin{cases} \kappa_{\triangle^+} & , \text{ if } e \in E_i^v \\ \kappa_{\triangle^+} + \frac{b}{\tau}\rho_{\triangle^+}, & \text{ if } e \in E_i^d \end{cases}$$

□

Previously, we have already associated the triplet  $(\kappa_\triangle, \rho_\triangle, \lambda_\triangle) := (\kappa_\triangle, \rho_\triangle, \lambda_\triangle)$  to each  $\triangle \in \Sigma^\times$ , where  $\triangle \supset \triangle$  is the unique triangle that contains  $\triangle$ . We now proceed to do this for each other region  $\mathcal{Z} \in \mathcal{X}_i$ .

**Defining the triplet  $(\kappa_{\mathcal{Z}}, \rho_{\mathcal{Z}}, \lambda_{\mathcal{Z}})$ , for  $\mathcal{Z} \in \mathcal{X}_i$ .**

- For a vertical buffer zone  $\mathcal{B}_e$ :

We let  $\triangle^-$  and  $\triangle^+$  be the left and right neighboring triangles of  $e$ , set  $\kappa_e = \kappa_{\triangle^-} = \kappa_{\triangle^+}$ , ( $\kappa_{\triangle^-} = \kappa_{\triangle^+}$  by Lemma 6.4), and set  $(\kappa_e, \rho_e, \lambda_e) := (\kappa_e, \frac{1}{2}, 4\kappa_e)$ .

- For a diagonal buffer zone  $\mathcal{B}_e$ :

We let  $\triangle^-$  and  $\triangle^+$  be the left and right neighboring triangles of  $e$ . To define  $(\kappa_e, \rho_e, \lambda_e)$ , we consider the two cases separately, as follows.

\* If the condition holds:

$$(2\rho_{\triangle^-} - 1)\lambda_{\triangle^-} < \frac{b}{\tau} < (2\rho_{\triangle^+} - 1)\lambda_{\triangle^+}. \quad (6.60)$$

By Lemma 6.4,  $\kappa_{\triangle^-} + \frac{b}{\tau}\rho_{\triangle^-} = \kappa_{\triangle^+} + \frac{b}{\tau}\rho_{\triangle^+}$ . We let  $\alpha := \kappa_{\triangle^-} + \frac{b}{\tau}\rho_{\triangle^-}$  denote this quantity, and let  $F(\rho) := (2\rho - 1)\frac{\alpha - \frac{b}{\tau}\rho}{\rho(\rho - 1)}$ . Under the condition (6.60), we necessarily have that  $\rho^+ > \frac{1}{2}$ , and therefore  $\alpha > \frac{b}{\tau}\rho^+ > \frac{b}{2\tau}$ . It is then straightforward to verify that  $F$  is increasing on  $\rho \in [\frac{1}{2}, 1)$  and that  $F([\frac{1}{2}, 1)) = [0, \infty)$ . Further, using  $\lambda_{\triangle^\pm} = \frac{\kappa_{\triangle^\pm}}{\rho_{\triangle^\pm}(1 - \rho_{\triangle^\pm})}$  and  $\kappa_{\triangle^\pm} = \alpha - \frac{b}{\tau}\rho_{\triangle^\pm}$  in (6.60), we have that  $F(\rho_{\triangle^-}) < \frac{\tau}{b} < F(\rho_{\triangle^+})$ . From these properties we see that  $F(\rho) = \frac{\tau}{b}$  has a unique solution in  $(\frac{1}{2}, 1)$ . We let  $\rho_e$  be this solution, and set  $\lambda_e := \frac{b/\tau}{(2\rho_e - 1)}$  and  $\kappa_e := \lambda_e \rho_e (1 - \rho_e)$ . To summarize,  $(\kappa_e, \rho_e, \lambda_e) \in (0, \infty) \times (\frac{1}{2}, 1) \times (0, \infty)$  is the unique solution of the following equations

$$\begin{aligned} \kappa_e &= \lambda_e \rho_e (1 - \rho_e), \\ (2\rho_e - 1)\lambda_e &= \frac{b}{\tau}, \\ \kappa_e + \frac{\tau}{b}\rho_e &= \alpha := \kappa_{\triangle^-} + \frac{b}{\tau}\rho_{\triangle^-} = \kappa_{\triangle^+} + \frac{b}{\tau}\rho_{\triangle^+}. \end{aligned}$$

\* If the condition holds:

$$(2\rho_{\triangle^-} - 1)\lambda_{\triangle^-} \geq \frac{b}{\tau}, \text{ or } (2\rho_{\triangle^+} - 1)\lambda_{\triangle^+} \leq \frac{b}{\tau}.$$

In this case we set  $(\kappa_e, \rho_e, \lambda_e) = (\kappa_{\triangle^-}, \rho_{\triangle^-}, \lambda_{\triangle^-})$ .

- For the intermittent zones  $\mathcal{I} = \mathcal{I}_{i',\star}(\triangle), \mathcal{I}_{i',\star}(\triangle)$ , with  $\lambda_\triangle < 1$ :



We let  $(\kappa_{\mathcal{I}}, \rho_{\mathcal{I}}, \lambda_{\mathcal{I}}) := (\kappa_{\Delta}, \rho_{\Delta}, \lambda_{\Delta})$ .

- For the residual regions  $\mathcal{R}^1 = \mathcal{R}_{i',j''}^1(\Delta)$  and  $\mathcal{R}^2 = \mathcal{R}_{i',j''}^2(\Delta)$ , with  $\lambda_{\Delta} < 1$ :

Since  $\lambda_{\Delta} < 1$  and  $\kappa_{\Delta} = \lambda_{\Delta} \rho_{\Delta} (1 - \rho_{\Delta})$ , there are two solutions  $\rho_1, \rho_2$  of the equation  $\kappa_{\Delta} = \rho(1 - \rho)$ . We order them as  $\rho_1 > \rho_2 \in [0, 1]$ . Under these notations, we set

$$(\kappa_{\mathcal{R}^1}, \rho_{\mathcal{R}^1}, \lambda_{\mathcal{R}^1}) := (\kappa_{\Delta}, \rho_1, 1), \quad (\kappa_{\mathcal{R}^2}, \rho_{\mathcal{R}^2}, \lambda_{\mathcal{R}^2}) := (\kappa_{\Delta}, \rho_2, 1).$$

Note that, with  $\rho_1 > \rho_2$  solving the equation  $\kappa_{\Delta} = \rho_i(1 - \rho_i)$ , we necessarily have  $\rho_1 + \rho_2 = 1$ .

Recall that  $r_{m,n}^1(\Delta)$  and  $r_{m,n}^2(\Delta)$  denote the (yet to be specified) widths of the residual regions  $\mathcal{R}^1 = \mathcal{R}_{i',j''}^1(\Delta)$  and  $\mathcal{R}^2 = \mathcal{R}_{i',j''}^2(\Delta)$ . We now define

$$r_{m,n}^1(\Delta) := (nb_{m,n}'' - 1) \frac{\rho_{\Delta} - \rho_1}{\rho_1 - \rho_2} = (nb_{m,n}'' - 1) \frac{\rho_{\Delta} - \rho_{\mathcal{R}_{i',j''}^1(\Delta)}}{\rho_{\mathcal{R}_{i',j''}^1(\Delta)} - \rho_{\mathcal{R}_{i',j''}^2(\Delta)}}, \quad (6.61)$$

$$r_{m,n}^2(\Delta) := (nb_{m,n}'' - 1) \frac{\rho_2 - \rho_{\Delta}}{\rho_1 - \rho_2} = (nb_{m,n}'' - 1) \frac{\rho_{\mathcal{R}_{i',j''}^2(\Delta)} - \rho_{\Delta}}{\rho_{\mathcal{R}_{i',j''}^1(\Delta)} - \rho_{\mathcal{R}_{i',j''}^2(\Delta)}}. \quad (6.62)$$

We next list a few important properties of  $(\kappa_{\mathcal{Z}}, \rho_{\mathcal{Z}}, \lambda_{\mathcal{Z}})_{\mathcal{Z} \in \mathcal{Z}}$ . These properties are readily verified from the preceding construction. First,

$$\kappa_{\mathcal{Z}} = \lambda_{\mathcal{Z}} \rho_{\mathcal{Z}} (1 - \rho_{\mathcal{Z}}), \quad \forall \mathcal{Z} \in \mathcal{Z}_i. \quad (6.63)$$

Next, recall from (6.48) that  $\mathcal{S}_i$  denotes a slab. Consider vertical or diagonal edges  $\mathcal{E} \in \text{Ske}(\mathcal{X})$  in the skeleton that is not on the boundary of the slabs  $\mathcal{S}_i$ ,  $i = 1, \dots, \ell_*$ :

$$\text{Ske}(\mathcal{X})'_v := \left\{ \mathcal{E} \in \text{Ske}(\mathcal{X}) : \mathcal{E} \not\subset \bigcup_{i=1}^{\ell_*} \partial \mathcal{S}_i, \mathcal{E} \text{ vertical} \right\}, \quad \text{Ske}(\mathcal{X})'_d := \left\{ \mathcal{E} \in \text{Ske}(\mathcal{X}) : \mathcal{E} \not\subset \bigcup_{i=1}^{\ell_*} \partial \mathcal{S}_i, \mathcal{E} \text{ diagonal} \right\}.$$

Given  $\mathcal{E} \in \text{Ske}(\mathcal{X})'_v \cup \text{Ske}(\mathcal{X})'_d$ , letting  $\mathcal{Z}^+, \mathcal{Z}^- \in \mathcal{Z}$  denote, respectively, the right and left neighboring regions of  $\mathcal{E}$ , we have

$$\kappa_{\mathcal{Z}^-} = \kappa_{\mathcal{Z}^+}, \quad \text{if } \mathcal{E} \in \text{Ske}(\mathcal{X})'_v, \quad (6.64)$$

$$(\kappa_{\mathcal{Z}^-} + \frac{b}{\tau} \rho_{\mathcal{Z}^-}) = (\kappa_{\mathcal{Z}^+} + \frac{b}{\tau} \rho_{\mathcal{Z}^+}), \quad \text{if } \mathcal{E} \in \text{Ske}(\mathcal{X})'_d, \quad (6.65)$$

$$(1 - 2\rho_{\mathcal{Z}^-}) \geq 0 \text{ or } (1 - 2\rho_{\mathcal{Z}^+}) \leq 0, \quad \text{if } \mathcal{E} \in \text{Ske}(\mathcal{X})'_v, \quad (6.66)$$

$$(2\rho_{\mathcal{Z}^-} - 1)\lambda_{\mathcal{Z}^-} \geq \frac{b}{\tau}, \text{ or } (2\rho_{\mathcal{Z}^+} - 1)\lambda_{\mathcal{Z}^+} \leq \frac{b}{\tau}, \quad \text{if } \mathcal{E} \in \text{Ske}(\mathcal{X})'_d. \quad (6.67)$$

Also, for a given pair of residual regions  $\mathcal{R}_{i',j''}^1(\Delta)$  and  $\mathcal{R}_{i',j''}^2(\Delta)$ , we have

$$\rho_{\mathcal{R}_{i',j''}^1(\Delta)} + \rho_{\mathcal{R}_{i',j''}^2(\Delta)} = 1, \quad \rho_{\mathcal{R}_{i',j''}^1(\Delta)} > \rho_{\mathcal{R}_{i',j''}^2(\Delta)}, \quad (6.68)$$

and, with  $r_{m,n}^1(\Delta)$  and  $r_{m,n}^2(\Delta)$  defined as in (6.61)–(6.62),

$$r_{m,n}^1(\Delta)\rho_1 + r_{m,n}^2(\Delta)\rho_2 = (nb_{m,n}'' - 1)\rho_{\Delta}. \quad (6.69)$$

Now, for the  $\{\lambda_{\mathcal{Z}}\}_{\mathcal{Z} \in \mathcal{Z}_i}$  defined in the preceding, we set

$$\tilde{\Lambda}_{m,n}|_{\mathcal{Z}^\circ} := \lambda_{\mathcal{Z}}, \quad \mathcal{Z} \in \mathcal{Z}_i, \quad i = 1, \dots, \ell_*. \quad (6.70)$$

This together with (6.46) and (6.51), defines  $\tilde{\Lambda}_{m,n}([0, T) \times \mathbb{R}) \setminus (\bigcup_{\mathcal{E} \in \text{Ske}(\mathcal{X})} \mathcal{E})$ , i.e., everywhere except along edges of the skeletons. To complete the construction, for any given  $(t, \xi) \in \bigcup_{\mathcal{E} \in \text{Ske}(\mathcal{X})} \mathcal{E}$ , we define

$$\tilde{\Lambda}_{m,n}(t, \xi) := \liminf_{\delta \downarrow 0} \inf \left\{ \tilde{\Lambda}_{m,n}(s, \zeta) : (s, \zeta) \in ([0, T) \times \mathbb{R}) \setminus \left( \bigcup_{\mathcal{E} \in \text{Ske}(\mathcal{X})} \mathcal{E} \right), \right. \\ \left. s \geq t, |s - t| + |\xi - \zeta| < \delta \right\}. \quad (6.71)$$

That is, we extend the value of  $\tilde{\Lambda}_{m,n}$  onto the edges of the skeletons in such way that  $\xi \mapsto \tilde{\Lambda}_{m,n}(t, \xi)$  is lower-semicontinuous for each  $t \in [0, T)$ , and  $t \mapsto \tilde{\Lambda}_{m,n}(t, \xi)$  is right-continuous for each  $\xi \in \mathbb{R}$ .

This completes the construction of the speed function  $\tilde{\Lambda}_{m,n}$ . We summarize a few properties of  $\tilde{\Lambda}_{m,n}$  that will be useful in the sequel. These properties are readily verified from the preceding construction.

$$0 < \underline{\lambda} =: \inf_{\Delta \in \Sigma} \lambda_{\Delta} \leq \tilde{\Lambda}_{m,n}(t, \xi) \leq \sup_{\Delta \in \Sigma} \lambda_{\Delta} \leq \bar{\lambda}, \quad \forall (t, \xi) \in [0, T) \times \mathbb{R}, \quad (6.72)$$

$$\lim_{m \rightarrow \infty} \lim_{n \rightarrow \infty} \sum_{\Delta \in \Sigma^*} \int_{\Delta} |\tilde{\Lambda}_{m,n} - (\lambda_{\Delta} \vee 1)| dt d\xi = 0. \quad (6.73)$$

**6.4. Estimating  $\mathcal{G}[\tilde{\Lambda}_{m,n}, g^{\text{ic}}]$ .** Having constructed  $\tilde{\Lambda}_{m,n}$ , in this subsection, we verify that the resulting Hopf–Lax function  $\mathcal{G}[\tilde{\Lambda}_{m,n}, g^{\text{ic}}]$  does approximate the piecewise linear function  $g$ . More precisely, we show in Proposition 6.8 in the following that, under the iterated limit  $n \rightarrow \infty$ ,  $m \rightarrow \infty$ ,  $\mathcal{G}[\tilde{\Lambda}_{m,n}, g^{\text{ic}}]$  converges to  $g$ .

Recall from (6.48) and (6.54) the definitions of the slabs  $\mathcal{S}_i$  and  $\mathcal{S}_{i,i'}$ , together with the corresponding  $\underline{t}_i$ ,  $\bar{t}_i$ ,  $\underline{t}_{i,i'}$ ,  $\bar{t}_{i,i'}$  from (6.49) and (6.55). Closely related to  $\tilde{\Lambda}_{m,n}$  is the piecewise linear function  $\Gamma_{m,n}^{i,i'} : \mathcal{S}_{i,i'} \rightarrow \mathbb{R}$ , defined by

$$\Gamma_{m,n}^{i,i'} \in C(\mathcal{S}_{i,i'}, \mathbb{R}), \quad (6.74a)$$

$$\nabla \Gamma_{m,n}^{i,i'}|_{\mathcal{Z} \cap \mathcal{S}_{i,i'}} = (\kappa_{\mathcal{Z}}, \rho_{\mathcal{Z}}), \quad \forall \mathcal{Z} \in \mathcal{L}_i, \quad (6.74b)$$

$$\Gamma_{m,n}^{i,i'}(\underline{t}_i, 0) = g(\underline{t}_i, 0). \quad (6.74c)$$

Indeed, (6.74) admits *at most one* such  $\Gamma_{m,n}^{i,i'}$ . On the other hands, The identities (6.64)–(6.65) guarantee the existence of  $\Gamma_{m,n}^{i,i'}$  that satisfies (6.74).

Recall from (6.4) that  $\mathcal{C}(t, \xi)$  denote the light cone going back from  $(t, \xi)$ . In the following we will often work with on domain

$$\mathcal{D} := \{(t, \xi) : t \in [0, T], \xi \in [-(T-t)\bar{\lambda} - r_*, r_* + (T-t)\bar{\lambda}]\}. \quad (6.75)$$

This is the smallest region in  $[0, T] \times \mathbb{R}$  that contains  $[0, T] \times [-r_*, r_*]$  and enjoys:

$$\mathcal{C}(t, \xi) \subset \mathcal{D}, \quad \forall (t, \xi) \in \mathcal{D}, \quad (6.76)$$

Note also that  $[0, T] \times [-r_*, r_*] \subset \mathcal{D} \subset [0, T] \times [-r^*, r^*]$ .

The following result shows that, the Hopf–Lax function  $\mathcal{G}_{\underline{t}_{i,i'}}[\tilde{\Lambda}_{m,n}, f]$  actually coincides with the piecewise linear function  $\Gamma_{m,n}^{i,i'}$ , provided that the initial condition  $f$  agrees with  $\Gamma_{m,n}^{i,i'}$ .

**Lemma 6.5.** *Fix  $i \in \{1, \dots, \ell_*\}$ ,  $i' \in \{4, \dots, m-3\}$  and  $f \in \mathcal{E}$ . If  $f(\xi) = \Gamma^{i,i'}(\underline{t}_{i,i'}, \xi)$ ,  $\forall (\underline{t}_{i,i'}, \xi) \in \mathcal{D}$ , then*

$$\mathcal{G}_{\underline{t}_{i,i'}}[\tilde{\Lambda}_{m,n}, f]|_{\mathcal{S}_{i,i'} \cap \mathcal{D}} = \Gamma_{m,n}^{i,i'}|_{\mathcal{S}_{i,i'} \cap \mathcal{D}}.$$

*Proof.* To simplify notations, throughout this proof we write  $\Gamma_{m,n}^{i,i'} = \Gamma$ . Let

$$t_* := \sup \{s \in [\underline{t}_{i,i'}, \bar{t}_{i,i'}] : \mathcal{G}_{\underline{t}_{i,i'}}[\tilde{\Lambda}_{m,n}, f](t, \xi) = \Gamma(t, \xi), \forall (t, \xi) \in \mathcal{S}_{i,i'} \cap \mathcal{D}\} \quad (6.77)$$

denote the first time when the desired property fails. Our goal is to show  $t_* = \bar{t}_{i,i'}$ . To this end, we advance  $t_*$  by the small amount  $\sigma_* := b''_m / (\bar{\lambda} + \frac{b}{\tau})$  and consider a generic point  $(t_0, \xi_0) \in \mathcal{D} \cap ([t_*, (t_* + \sigma_*) \wedge \bar{t}_{i,i'}] \times \mathbb{R})$ . Let  $f_*(\xi) := \mathcal{G}_{s_{i,i'}}[\tilde{\Lambda}_{m,n}, f](t_*, \xi)$  denote the profile at time  $t_*$ . Apply Lemma 6.1(a) for  $(s_0, s_1) = (\underline{t}_{i,i'}, t_*)$ , we write

$$\mathcal{G}_{\underline{t}_{i,i'}}[\tilde{\Lambda}_{m,n}, f](t_0, \xi_0) = \mathcal{G}_{t_*}[\tilde{\Lambda}_{m,n}, f_*](t_0, \xi_0). \quad (6.78)$$

Recall the notation  $\mathcal{C}'(s_0, t_0, \xi_0)$  from (6.12), and write  $\mathcal{C}' := \mathcal{C}(t_*, t_0, \xi_0)$  to simplify notations. Let  $\mathcal{X} := \{\xi : (\underline{t}_{i,i'}, \xi) \in \mathcal{C}(t_0, \xi_0)\}$  denote the intersection of the light cone with the lower boundary of  $\mathcal{S}_{i,i'}$ . As shown in Lemma 6.1(d), the r.h.s. of (6.78) depends on  $(\tilde{\Lambda}_{m,n}, f_*)$  only through  $(\Lambda_{m,n}|_{\mathcal{C}'}, f_*|_{\mathcal{X}})$ . Our next step is to utilize this localization of dependence to evaluate the expression (6.78). First, With  $t_*$  defined in (6.77), we necessarily have  $f_*(\xi) = \Gamma(t_*, \xi)$ ,  $\forall (t_*, \xi) \in \mathcal{D}$ . Also, by (6.76),  $\{\underline{t}_{i,i'}\} \times \mathcal{X} \subset \mathcal{D}$ . Consequently,

$$f_*|_{\mathcal{X}} = \Gamma(t_*, \cdot)|_{\mathcal{X}}.$$

Next, recall the definition of the skeleton  $\text{Ske}(\mathcal{X})$  from (6.58). We claim that  $\mathcal{C}'$  intersects with at most one edge of  $\text{Ske}(\mathcal{X})$ , i.e.,

$$\#\{\mathcal{C}' \cap \mathcal{E} \neq \emptyset : \mathcal{E} \in \text{Ske}(\mathcal{X})\} \leq 1. \quad (6.79)$$

To see why, first note that, since  $\mathcal{C}' \subset (\underline{t}_{i,i'}, \bar{t}_{i,i'}) \times \mathbb{R}$ , the restricted cone  $\mathcal{C}'$  does not intersect with horizontal edges of  $\text{Ske}(\mathcal{X})$ , and it suffices to consider vertical and diagonal edges of  $\text{Ske}(\mathcal{X})$  within the slab  $\mathcal{S}_{i,i'}$ .

From the preceding construction of  $\mathcal{Z} \in \mathcal{Z}_i$ , we see that vertical and diagonal edges in  $\text{Ske}(\mathcal{X})$  are at least horizontally distance  $b''_{m,n}$  apart. Viewed as spacetime trajectories, vertical edges travel at zero velocity, and diagonal edges travel at velocity  $\frac{b}{\tau}$ . Since the cone  $\mathcal{C}'$  goes backward in time at a speed of at most  $\bar{\lambda}$ , the time span of  $\mathcal{C}'$  has to be more than  $\frac{b''_{m,n}}{\bar{\lambda} + \frac{b}{\tau}} =: \sigma_*$  for  $\mathcal{C}'$  to intersect with two vertical or diagonal edges in  $\text{Ske}(\mathcal{X})$ . This, with  $\mathcal{C}' \subset [\underline{t}_{i,i'}, \bar{t}_{i,i'} + \sigma_*]$ , does not happen, so (6.79) follows.

Recall the four special types (a)–(d) of  $(S, f)$  from before Lemma 6.2, in Section 6.2. With (6.79) being the case, the pair  $(\tilde{\Lambda}_{m,n}, \Gamma(t_*))$ , when restricted to  $\mathcal{C}' \times \mathcal{X}$ , coincides with  $(S, f)$  of the form considered in Section 6.2 for  $s_0 = t_*$ , i.e.,

$$(\tilde{\Lambda}_{m,n}|_{\mathcal{C}'}, \Gamma(t_*)|_{\mathcal{X}}) = (S|_{\mathcal{C}'}, f|_{\mathcal{X}}). \quad (6.80)$$

The condition (6.27)–(6.29) holds thanks to (6.64)–(6.65). Given (6.80), we apply Lemma 6.1(d) with  $(S_1, f_1; S_2, f_2) = (\tilde{\Lambda}_{m,n}, f_*; S_0, f_0)$ , to replace  $(\tilde{\Lambda}_{m,n}, f_*)$  with  $(S, f)$  in (6.78). This yields

$$\mathcal{G}_{\underline{t}_{i,i'}}[\tilde{\Lambda}_{m,n}, f](t_0, \xi_0) = \mathcal{G}_{\underline{t}_{i,i'}}[S, f](t_0, \xi_0). \quad (6.81)$$

Further, thanks to (6.63), (6.66)–(6.69), the conditions (6.31)–(6.33) hold. This being the case, we apply Lemma 6.2 for  $s_0 = t_*$  to conclude  $\mathcal{G}_{\underline{t}_{i,i'}}[S, f](t_0, \xi_0) = \Gamma(t_0, \xi_0)$ . This together with (6.81) gives

$$\mathcal{G}_{\underline{t}_{i,i'}}[\tilde{\Lambda}_{m,n}, f](t_0, \xi_0) = \Gamma(t_0, \xi_0).$$

As this holds for all  $(t_0, \xi_0) \in ([t_*, (t_* + \sigma_*) \wedge \bar{t}_{i,i'}] \times \mathbb{R}) \cap \mathcal{D}$ , we must have that  $t_* \geq (t_* + \sigma_*) \wedge \bar{t}_{i,i'}$ . This forces the desired result  $t_* = \bar{t}_{i,i'}$  to be true.  $\square$

Given Lemma 6.5, our next step is to show that  $\Gamma_{m,n}^{i,i'}$  approximates  $g$ . To this end, it is convenient to consider an analog  $\widehat{\Gamma}_m^i$  of  $\Gamma_{m,n}^{i,i'}$ , defined as follows. Recall from (6.59) that  $\widehat{\mathcal{Z}}_i$  denotes the coarser version of the partition  $\mathcal{Z}_i$ . We consider unique the piecewise linear function  $\widehat{\Gamma}_m^i : \mathcal{S}_i \rightarrow \mathbb{R}$  with gradient given by  $(\kappa_{\mathcal{Z}}, \rho_{\mathcal{Z}})$  on each  $\mathcal{Z} \in \widehat{\mathcal{Z}}_i$ , i.e.,

$$\widehat{\Gamma}_m^i : \in C(\mathcal{S}_i, \mathbb{R}), \quad (6.82a)$$

$$\nabla \widehat{\Gamma}_m^i|_{\mathcal{Z}^\circ} = (\kappa_{\mathcal{Z}}, \rho_{\mathcal{Z}}), \quad \forall \mathcal{Z} \in \widehat{\mathcal{Z}}_i, \quad (6.82b)$$

$$\widehat{\Gamma}_m^i(\underline{t}_i, 0) = g(\underline{t}_i, 0), \quad (6.82c)$$

**Lemma 6.6.** For fixed  $i \in \{1, \dots, \ell_*\}$ ,

$$\lim_{n \rightarrow \infty} \left( \sup_{\mathcal{S}_{i,i'}} |\Gamma_{m,n}^{i,i'} - \widehat{\Gamma}_m^i| \right) = 0, \quad i' = 4, \dots, m-3, \quad \text{for each fixed } m < \infty, \quad (6.83)$$

$$\lim_{m \rightarrow \infty} \left( \sup_{\mathcal{S}_i} |\widehat{\Gamma}_m^i - g| \right) = 0. \quad (6.84)$$

*Proof.* We first establish (6.83). Since the partition  $\widehat{\mathcal{Z}}_i$  differs from  $\mathcal{Z}_i$  only on those reduced triangles  $\Delta$  with  $\lambda_\Delta < 1$ , we have

$$\nabla \Gamma_{m,n}^{i,i'}|_{\mathcal{Z}^\circ} = \nabla \widehat{\Gamma}_m^i|_{\mathcal{Z}^\circ}, \quad \forall \mathcal{Z} \in \widehat{\mathcal{Z}}_i \setminus \{\Delta \in \Sigma_i^\times : \lambda_\Delta < 1\}. \quad (6.85)$$

On each  $\Delta$  with  $\lambda_\Delta < 1$ , the  $\mathcal{Z}$  invokes the intermittent zones  $\mathcal{I}_{i',*}(\Delta)$ ,  $\mathcal{I}_{i',j''}(\Delta)$  and residual regions  $\mathcal{R}_{i',j''}^1(\Delta)$ ,  $\mathcal{R}_{i',j''}^2(\Delta)$ ; see Figure 10–11. Referring to the definition of  $(\kappa_{\mathcal{Z}}, \rho_{\mathcal{Z}})_{\mathcal{Z} \in \mathcal{Z}_i}$  in the preceding, we have that

$$\kappa_\Delta = \kappa_{\mathcal{I}_{i',*}(\Delta)} = \kappa_{\mathcal{I}_{i',j''}(\Delta)} = \kappa_{\mathcal{R}_{i',j''}^1(\Delta)} = \kappa_{\mathcal{R}_{i',j''}^2(\Delta)}, \quad \rho_\Delta = \rho_{\mathcal{I}_{i',*}(\Delta)} = \rho_{\mathcal{I}_{i',j''}(\Delta)}, \quad (6.86)$$

for all relevant  $i', j''$ . Also, the identity (6.69) implies that, for each  $\mathcal{R} = \mathcal{R}_{i',j''}(\Delta)$ ,

$$\int_{\xi_{\mathcal{R}}^-}^{\xi_{\mathcal{R}}^+} (\Gamma_{m,n}^{i,i'})_\xi(t, \xi) d\xi = \int_{\xi_{\mathcal{R}}^-}^{\xi_{\mathcal{R}}^+} (\widehat{\Gamma}_m^i)_\xi(t, \xi) d\xi, \quad \forall t \in [\underline{t}_{\mathcal{R}}, \bar{t}_{\mathcal{R}}], \quad \text{where } \mathcal{R} = [\underline{t}_{\mathcal{R}}, \bar{t}_{\mathcal{R}}] \times [\xi_{\mathcal{R}}^-, \xi_{\mathcal{R}}^+]. \quad (6.87)$$

That is, the integrals of  $(\Gamma_{m,n}^{i,i'})_\xi^i$  and  $(\widehat{\Gamma}_m^i)_\xi$  along any horizontal line segment passing through  $\mathcal{R}$  do match. To briefly summarize, (6.85)–(6.86) shows that the derivatives of  $\Gamma_{m,n}^{i,i'}$  and  $\widehat{\Gamma}_m^i$  match everywhere they are

defined, except for the  $\xi$ -derivatives in  $\mathcal{R}_{i',j''}(\Delta)$ , and (6.86) gives a matching of the  $\xi$ -derivatives in  $\mathcal{R}_{i',j''}(\Delta)$  in an integrated sense. These properties together with (6.74c) and (6.82c) gives that

$$\Gamma_{m,n}^{i,i'}(t, \xi) = \widehat{\Gamma}_m^i(t, \xi), \quad \forall (t, \xi) \in \mathcal{S}_i \setminus \bigcup \left\{ (\mathcal{R}_{i',j''}(\Delta))^\circ : \lambda_\Delta < 1, \text{ relevant } i', j'' \right\}. \quad (6.88)$$

Since each  $\mathcal{R}_{i',j''}(\Delta)$  has a width of  $(n-1)b''_{m,n} = \frac{n-1}{n^2}b'_m$ , and since  $\widehat{\Gamma}_m^i$  is continuous, letting  $n \rightarrow \infty$  in (6.88) gives (6.83).

Next, to prove (6.84), fix arbitrary  $(t_0, \xi_0) \in \mathcal{S}_i$ , and express  $\widehat{\Gamma}_m^i(t_0, \xi_0)$  and  $g(t_0, \xi_0)$  in terms of the integral of their derivatives along the vertical line segment  $(\underline{t}_i, 0) - (t_0, 0)$  and the horizontal line segment  $(t_0, 0) - (t_0, \xi_0)$ , i.e.,

$$\widehat{\Gamma}_m^i(t_0, \xi_0) = \widehat{\Gamma}_m^i(\underline{t}_i, 0) + \int_{\underline{t}_i}^{t_0} (\widehat{\Gamma}_m^i)_t(t, 0) dt + \int_0^{\xi_0} (\widehat{\Gamma}_m^i)_\xi(t_0, \xi) d\xi, \quad (6.89)$$

$$g(t_0, \xi_0) = g(\underline{t}_i, 0) + \int_{\underline{t}_i}^{t_0} g_t(t, 0) dt + \int_0^{\xi_0} g_\xi(t_0, \xi) d\xi. \quad (6.90)$$

Note that the line segment  $(\underline{t}_i, 0) - (t_0, 0)$  sits within a vertical line segment of the triangulation  $\Sigma$ ; see Figure 4. Even though  $g$  is in general not smooth along edges of  $\Sigma$ ,  $g_t$  does exist along *vertical* edges of  $\Sigma$ . More explicitly, letting  $\Delta_\star \in \Sigma$  be a neighboring triangle of the line segment  $(\underline{t}_i, 0) - (t_0, 0)$ , we have that  $g_t(t, 0)|_{t \in (\underline{t}_i, t_0)} = \kappa_{\Delta_\star}$ . Likewise, letting  $\mathcal{B}_\star$  be the (unique) buffer zone that contains  $(\underline{t}_i, 0) - (t_0, 0)$ , we have  $(\widehat{\Gamma}_m^i)_t(t, 0)|_{t \in (\underline{t}_i, t_0)} = \kappa_{\mathcal{B}_\star}$ . For any triangle  $\Delta \in \Sigma$  that intersects with the slab  $\mathcal{S}_i$ , let  $e \in E_i^y$  denote its neighboring vertical edge, and let  $\underline{\Delta} \subset \Delta$  denote the corresponding reduced triangle. Referring the definition of  $(\kappa_Z, \rho_Z)_{Z \in \mathcal{F}_i}$  in the preceding, we have that

$$(\kappa_\Delta, \rho_\Delta) = (\kappa_{\underline{\Delta}}, \rho_{\underline{\Delta}}) = (\kappa_{\mathcal{B}_e}, \rho_{\mathcal{B}_e}). \quad (6.91)$$

In (6.89)–(6.90), use (6.91) for  $(\Delta, \mathcal{B}_e) = (\Delta_\star, \mathcal{B}_\star)$  to match the  $t$ -derivatives  $(\widehat{\Gamma}_m^i)_t$  and  $g_t$ , use (6.91) to match the  $\xi$ -derivatives  $(\widehat{\Gamma}_m^i)_\xi$  and  $g_\xi$  on those reduced triangles  $\underline{\Delta}$  along the line segment  $(t_0, 0) - (t_0, \xi_0)$  (recall that  $g_\xi|_{\Delta^\circ} = \rho_\Delta$ ,  $\forall \Delta \in \Sigma$ ), and take the difference of the result, using (6.82c). We arrive at

$$|\widehat{\Gamma}_m^i(t_0, \xi_0) - g(t_0, \xi_0)| = \left| \int_0^{\xi_0} ((\widehat{\Gamma}_m^i)_\xi - g_\xi)(t_0, \xi) \mathbf{1}_{\{(t_0, \xi) \notin \underline{\Delta}, \forall \underline{\Delta} \in \Sigma_i^\times\}} d\xi \right| \leq (\ell_\star + 1) 2b'_m \|(\widehat{\Gamma}_m^i)_\xi - g_\xi\|_\infty.$$

With  $(\widehat{\Gamma}_m^i)_\xi, g_\xi$  being  $[0, 1]$ -valued, and with  $b'_m = \frac{b}{m}$ , letting  $m \rightarrow \infty$  gives (6.84).  $\square$

A useful consequence of Lemma 6.5–(6.6) is the following result. It controls the deviation of the Hopf–Lax function  $\mathcal{G}_{\underline{t}_i}[f_{m,n}, \widetilde{\Lambda}_{m,n}]$  from  $g$  in terms of the deviation of a given initial condition  $f_{m,n}$ .

**Lemma 6.7.** *Let  $\{f_{m,n}\}_{m,n} \subset \mathcal{E}$ . For any fixed  $i \in \{1, \dots, \ell_\star\}$ ,*

$$\limsup_{m \rightarrow \infty} \limsup_{n \rightarrow \infty} \left( \sup_{\mathcal{S}_i \cap \mathcal{D}} |\mathcal{G}_{\underline{t}_i}[\widetilde{\Lambda}_{m,n}, f_{m,n}] - g| \right) \leq \limsup_{m \rightarrow \infty} \limsup_{n \rightarrow \infty} \sup_{(\underline{t}_i, \xi) \in \mathcal{S}_i \cap \mathcal{D}} |f_{m,n}(\xi) - g(\underline{t}_i, \xi)|. \quad (6.92)$$

*Proof.* Throughout this proof, to simplify notations, we write  $G := \mathcal{G}_{\underline{t}_i}[\widetilde{\Lambda}_{m,n}, f_{m,n}]$ . Let us first setup a few notations. For  $i' = 4, \dots, m-3$ , let  $f^{i'} := G(\underline{t}_{i,i'})$  denote the fixed time profile of the Hopf–Lax function at  $\underline{t}_{i,i'}$ . Consider also the fixed time profile  $\gamma^{i'} := \Gamma_{m,n}^{i,i'}(\underline{t}_{i,i'})$  of  $\Gamma_{m,n}^{i,i'}$  at time  $\underline{t}_{i,i'}$ . The function  $\gamma^{i'}$  is defined on

$$\Xi^{i'} := \{\xi : (\underline{t}_{i,i'}, \xi) \in \mathcal{S}_{i,i'} \cap \mathcal{D}\},$$

and we extend the function beyond  $\Xi^{i'}$  in such away that  $\gamma^{i'} \in \mathcal{E}$ . The precise way of extending  $\gamma^{i'}$  does not matter, as long as the result is  $\mathcal{E}$ -valued. We omit the dependence of  $G$ ,  $f^{i'}$  and  $\gamma^{i'}$  on  $m, n$  to simplify notations.

Instead of showing (6.92), we show

$$\limsup_{n \rightarrow \infty} \left( \sup_{\mathcal{S}_i \cap \mathcal{D}} |G - \widehat{\Gamma}_m^i| \right) \leq \limsup_{n \rightarrow \infty} \sup_{(\underline{t}_i, \xi) \in \mathcal{S}_i \cap \mathcal{D}} |f_{m,n}(\xi) - \widehat{\Gamma}_m^i(\underline{t}_i, \xi)|. \quad (6.93)$$

By (6.84), the function  $\widehat{\Gamma}_m^i$  uniformly approximates  $g$  on  $\mathcal{S}_i \cap \mathcal{D}$  as  $m \rightarrow \infty$ . This being the case, the desired result (6.92) follows by letting  $m \rightarrow \infty$  in (6.93).

To prove (6.93), we fix  $i' = 4, \dots, m-3$ , and proceed to bound the difference  $|G - \widehat{\Gamma}_m^i|$  on each  $\mathcal{S}_{i,i'} \cap \mathcal{D}$ . First, by Lemma 6.1(a) for  $(s_0, s_1) = (\underline{t}_i, \underline{t}_{i,i'})$ , the Hopf–Lax function  $G$  localizes onto  $\mathcal{S}_{i,i'}$  as  $G|_{\mathcal{S}_{i,i'}} = \mathcal{G}_{\underline{t}_{i,i'}}[\widetilde{\Lambda}_{m,n}, f^{i'}]|_{\mathcal{S}_{i,i'}}$ . Given this property, applying Lemma 6.1(e) with  $(f_1, f_2) = (f^{i'}, \gamma^{i'})$  and  $s_0 = \underline{t}_{i,i'}$ , we obtain

$$\begin{aligned} & |G(t_0, \xi_0) - \mathcal{G}_{\underline{t}_{i,i'}}[\widetilde{\Lambda}_{m,n}, \gamma^{i'}](t_0, \xi_0)| \\ &= |\mathcal{G}_{\underline{t}_{i,i'}}[\widetilde{\Lambda}_{m,n}, f^{i'}](t_0, \xi_0) - \mathcal{G}_{\underline{t}_{i,i'}}[\widetilde{\Lambda}_{m,n}, \gamma^{i'}](t_0, \xi_0)| \leq \sup_{(\underline{t}_{i,i'}, \xi) \in \mathcal{C}(t_0, \xi_0)} |f^{i'}(\xi) - \gamma^{i'}(\xi)|, \end{aligned} \quad (6.94)$$

for all  $(t_0, \xi_0) \in \mathcal{S}_{i,i'}$ . Recall the definition of  $\Xi^{i'}$  from the preceding. By (6.76), for each  $(t_0, \xi_0) \in \mathcal{S}_{i,i'} \cap \mathcal{D}$ , we have that  $\{\xi : (\underline{t}_{i,i'}, \xi) \in \mathcal{C}(t_0, \xi_0)\} \subset \Xi^{i'}$ . Using this property, we take the supremum of (6.94) over  $(t_0, \xi_0) \in \mathcal{S}_{i,i'} \cap \mathcal{D}$  to get

$$\sup_{\mathcal{S}_{i,i'} \cap \mathcal{D}} |G - \mathcal{G}_{\underline{t}_{i,i'}}[\widetilde{\Lambda}_{m,n}, \gamma^{i'}]| \leq \sup_{\Xi^{i'}} |f^{i'} - \gamma^{i'}|.$$

Next, using Lemma 6.5 for  $f = \gamma^{i'}$ , we replace the expression  $\mathcal{G}_{\underline{t}_{i,i'}}[\widetilde{\Lambda}_{m,n}, \gamma^{i'}]$  with  $\Gamma_{m,n}^{i,i'}$ , and write

$$\sup_{\mathcal{S}_{i,i'} \cap \mathcal{D}} |G - \Gamma_{m,n}^{i,i'}| \leq \sup_{\Xi^{i'}} |f^{i'} - \gamma^{i'}| = \sup_{\Xi^{i'}} |G(\underline{t}_{i,i'}) - \Gamma_{m,n}^{i,i'}(\underline{t}_{i,i'})|. \quad (6.95)$$

Further, by (6.83), the function  $\Gamma_{m,n}^{i,i'}$  uniformly approximates  $\widehat{\Gamma}_m^i$  on  $\mathcal{S}_{i,i'} \cap \mathcal{D}$ . This being the case, we let  $n \rightarrow \infty$  in (6.95), and replace each  $\Gamma_{m,n}^{i,i'}$  with  $\widehat{\Gamma}_m^i$  to get

$$\limsup_{n \rightarrow \infty} \sup_{\mathcal{S}_{i,i'} \cap \mathcal{D}} |G - \widehat{\Gamma}_m^i| \leq \limsup_{n \rightarrow \infty} \sup_{\Xi^{i'}} |G(\underline{t}_{i,i'}) - \widehat{\Gamma}_m^i(\underline{t}_{i,i'})|, \quad i' = 4, \dots, m-3. \quad (6.96)$$

Indeed, since  $\{\underline{t}_{i,i'+1}\} \times \Xi^{i'+1} \subset \mathcal{S}_{i,i'} \cap \mathcal{D}$ , we have  $\sup_{\Xi^{i'+1}} |G(\underline{t}_{i,i'}) - \widehat{\Gamma}_m^i(\underline{t}_{i,i'})| \leq \sup_{\mathcal{S}_{i,i'} \cap \mathcal{D}} |G - \widehat{\Gamma}_m^i|$ . Given this property, inductively applying (6.96) for  $i' = 4, \dots, m-3$  gives the desired result (6.93).  $\square$

We now show that  $\mathcal{G}[\widetilde{\Lambda}_{m,n}, g^{ic}]$  uniformly approximates  $g$  over  $[0, T] \times [-r_*, r_*]$ . More precisely,

**Proposition 6.8.** *We have that*  $\limsup_{m \rightarrow \infty} \limsup_{n \rightarrow \infty} \left( \sup_{[0, T] \times [-r_*, r_*]} |\mathcal{G}[\widetilde{\Lambda}_{m,n}, g^{ic}] - g| \right) = 0$ .

*Proof.* Throughout this proof, to simplify notations, we write  $G := \mathcal{G}[\widetilde{\Lambda}_{m,n}, g^{ic}]$  for the Hopf–Lax function. Recall from Section 6.3 that  $[0, T] \times [-r^*, r^*]$  is divided into a stalk of slabs  $\mathcal{S}_i$ , with transition zones  $\mathcal{T}_i$ ,  $i = 0, \dots, \ell_*$  in between the slabs; see Figure 8. By Lemma 6.1(a) for  $s_0 = \underline{t}_i$ , the function  $G$  localizes onto  $\mathcal{S}_i$  as  $G|_{\mathcal{S}_i} = \mathcal{G}_{\underline{t}_i}[\widetilde{\Lambda}_{m,n}, G(\underline{t}_i)]|_{\mathcal{S}_i}$ . With this property, we rewrite Lemma 6.7 for  $f_{m,n} = G$  as

$$\limsup_{m \rightarrow \infty} \limsup_{n \rightarrow \infty} \left( \sup_{\mathcal{S}_i \cap \mathcal{D}} |G - g| \right) \leq \limsup_{m \rightarrow \infty} \limsup_{n \rightarrow \infty} \sup_{(\underline{t}_i, \xi) \in \mathcal{S}_i \cap \mathcal{D}} |G(\underline{t}_i, \xi) - g(\underline{t}_i, \xi)|, \quad (6.97)$$

for each  $i = 1, \dots, \ell_*$ . Next, fix a transition zone  $\mathcal{T}_i$ ,  $i \in \{0, \dots, \ell_*\}$  as in (6.50), and it write as

$$\mathcal{T}_i := (\overline{t}_i, \underline{t}_{i+1}] \cap [0, T] \times [-r^*, r^*] = [(\overline{t}_i)_+, \underline{t}_{i+1} \wedge T] \times [-r^*, r^*].$$

By (5.1),  $g$  is uniformly Lipschitz; and by Lemma 6.1(b) the Hopf–Lax function  $G$  is also uniformly Lipschitz. Consequently, there exists a fixed constant  $c < \infty$ , such that

$$|G(t, \xi) - G(s_1, \xi)| \leq c|t - (\overline{t}_i)_+| \leq 6c\tau'_m, \quad |g(t, \xi) - g(s_1, \xi)| \leq c|t - (\overline{t}_i)_+| \leq 6c\tau'_m, \quad \forall (t, \xi) \in \mathcal{T}_i.$$

This gives

$$\sup_{\mathcal{T}_i \cap \mathcal{D}} |G - g| \leq \sup_{((\overline{t}_i)_+, \xi) \in \mathcal{T}_i \cap \mathcal{D}} |G((\overline{t}_i)_+, \xi) - g((\overline{t}_i)_+, \xi)| + 12\tau'_m.$$

Taking the iterated limit  $n \rightarrow \infty$ ,  $m \rightarrow \infty$ , we obtain

$$\limsup_{m \rightarrow \infty} \limsup_{n \rightarrow \infty} \left( \sup_{\mathcal{T}_i \cap \mathcal{D}} |G - g| \right) \leq \limsup_{m \rightarrow \infty} \limsup_{n \rightarrow \infty} \sup_{((\overline{t}_i)_+, \xi) \in \mathcal{T}_i \cap \mathcal{D}} |G((\overline{t}_i)_+, \xi) - g((\overline{t}_i)_+, \xi)|, \quad (6.98)$$

for each  $i = 0, \dots, \ell_*$ . As mentioned earlier,  $[0, T] \times [-r_*, r_*]$  is decomposed into a stalk of transition zones and the slabs, from bottom to top as  $\mathcal{T}_0 \cup \mathcal{S}_1 \cup \mathcal{T}_1 \cup \dots \cup \mathcal{S}_{\ell_*} \cup \mathcal{T}_{\ell_*}$ . This being the case, applying (6.97)–(6.98) inductively, similarly to the proof of Lemma 6.7, we obtain

$$\limsup_{m \rightarrow \infty} \limsup_{n \rightarrow \infty} \sup_{\mathcal{D}} |G - g| \leq \limsup_{m \rightarrow \infty} \limsup_{n \rightarrow \infty} \sup_{(0, \xi) \in \mathcal{D}} |G(0, \xi) - g(0, \xi)|.$$

Indeed, since  $G(0, \xi) = \mathcal{G}[\tilde{\Lambda}_{m,n}, g^{ic}](0, \xi) = g(0, \xi)$ , the r.h.s. is zero. This together with  $\mathcal{D} \supset [0, T] \times [-r_*, r_*]$  completes the proof.  $\square$

## 7. LOWER BOUND: CONSTRUCTION OF $\Lambda_{m,n}$ AND PROOF OF PROPOSITION 3.5

**7.1. Constructing  $\Lambda_m$  and estimating  $\mathcal{G}[\Lambda_{m,n}, g^{ic}]$ .** We now construct the simple speed function  $\Lambda_{m,n}$  as an approximation of  $\tilde{\Lambda}_{m,n}$ . Recall that  $\tau''_{m,n}$  and  $b''_{m,n}$  are the scales defined in (6.56). Consider the following partition of  $[0, T] \times \mathbb{R}$  that consists of rectangles of height  $\tau''_{m,n}$  and base  $b''_{m,n}$ :

$$\Pi''_{m,n} := \left\{ \square := [(i'' - 1)\tau''_{m,n}, i''\tau''_{m,n}] \times [(j'' - 1)b''_{m,n}, j''b''_{m,n}] : i'' = 1, \dots, \ell_* mn^2, j'' \in \mathbb{Z} \right\}. \quad (7.1)$$

Recall from (6.57) that  $\mathcal{X}$  denotes a partition of  $[0, T] \times \mathbb{R}$ , and recall from (6.58) the induced skeleton  $\text{Ske}(\mathcal{X})$ . One readily check that, each rectangle  $\square \in \Pi''_{m,n}$  is either contained in a region  $\mathcal{Z} \in \mathcal{X}$ , or intersects with a diagonal edge  $\mathcal{E} \in \text{Ske}(\mathcal{X})$ . In the latter case, the edge  $\mathcal{E}$  goes through the upper-right and lower-left vertices of  $\square$ . Having noted these properties, we now define

$$\Lambda_{m,n}|_{\square^\circ} := \tilde{\Lambda}_{m,n}|_{\square^\circ}, \quad \text{if } \square \subset \mathcal{Z}, \text{ for some } \mathcal{Z} \in \mathcal{X};$$

and if  $\square$  intersects with a diagonal edge  $\mathcal{E} \in \text{Ske}(\mathcal{X})$ , we let  $\mathcal{Z}^\pm \in \mathcal{X}$  denote the neighboring regions of  $\mathcal{E}$ , and set

$$\Lambda_{m,n}|_{\square^\circ} := (\lambda_{\mathcal{Z}^-} \wedge \lambda_{\mathcal{Z}^+}) = \inf_{\square^\circ} \tilde{\Lambda}_{m,n}.$$

So far, we have defined the values of  $\Lambda_{m,n}$  on  $[0, T] \times \mathbb{R}$  except along edges of the rectangles  $\square \in \Pi''_{m,n}$ . To complete the construction, we extend the value of  $\Lambda_{m,n}$  onto  $[0, T] \times \mathbb{R}$  in the same way as in (6.71). This defines an simple speed function, i.e., a function of the form (5.2). Further, from (6.46), (6.72)–(6.73), we have

$$\Lambda_{m,n}(t, \xi)|_{|\xi| > r_*} = 1, \quad (7.2)$$

$$\Lambda_{m,n} \in [\underline{\lambda}, \bar{\lambda}], \quad (7.3)$$

$$\lim_{m \rightarrow \infty} \lim_{n \rightarrow \infty} \sum_{\Delta \in \Sigma^*} \int_{\Delta} |\Lambda_{m,n} - (\lambda_{\Delta} \vee 1)| dt d\xi = 0. \quad (7.4)$$

The following result gives the necessarily control on the Hopf-Lax function  $\mathcal{G}[\Lambda_{m,n}, g^{ic}]$ .

**Proposition 7.1.** *For each fixed  $m < \infty$ ,*

$$\lim_{n \rightarrow \infty} \sup_{[0, T] \times \mathbb{R}} \left| \mathcal{G}[\Lambda_{m,n}, g^{ic}] - \mathcal{G}[\tilde{\Lambda}_{m,n}, g^{ic}] \right| = 0. \quad (7.5)$$

*In particular, by Proposition 6.8,*

$$\limsup_{m \rightarrow \infty} \limsup_{n \rightarrow \infty} \left( \sup_{[0, T] \times [-r_*, r_*]} \left| \mathcal{G}[\Lambda_{m,n}, g^{ic}] - g \right| \right) = 0.$$

*Proof.* Consider a generic diagonal buffer zone  $\mathcal{B}_e$ ,  $e \in \cup_{i=1}^{\ell_*} E_i^d$ , and parametrize the zone as (6.53). Under the notations of (6.53), we let  $\partial^\pm \mathcal{B}_e := (\underline{t}_i, (j-1)b \pm b'_m) - (\bar{t}_i, kb \pm b'_m)$ . denote the right/left boundary of the buffer zone  $\mathcal{B}_e$ , and let

$$\mathcal{U}_e^\pm := \left\{ (t, \xi) : \left| \xi + (j-1)b \pm b'_m - \frac{b}{\tau}(t - \underline{t}_i) \right| \leq b''_{m,n}, t \in [\underline{t}_i, \bar{t}_i] \right\}$$

denote the regions of width  $2b''_{m,n}$  around  $\partial^\pm \mathcal{B}_e$ . Referring the preceding definition of  $\Lambda_{m,n}$ , we see that  $\Lambda_{m,n} \neq \tilde{\Lambda}_{m,n}$  only within the regions  $\mathcal{U}_e$ ,  $e \in E^d$ . Showing (7.5) hence amounts to showing that such a discrepancy does not affect the resulting Hopf-Lax function as  $n \rightarrow \infty$ .

Let  $\sigma_m := b'_m(2(\bar{\lambda} + \frac{b}{\tau}))$ . Divide each  $\mathcal{U}_e^\pm$  into smaller parts  $\mathcal{U}_{e,i'}^\pm$ , each of height at most  $\sigma_m$ :

$$\mathcal{U}_{e,i'}^\pm := \mathcal{U}_e^\pm \cap ((i' - 1)\sigma_m, i'\sigma_m) \times \mathbb{R}.$$

Let  $\mathcal{U} := \{\mathcal{U}_{e,i'}^\pm : e \in \cup_{i=1}^{\ell_*} E_i^d, i' = 1, 2, \dots\}$  denote the collection of these regions, and enumerate them as  $\mathcal{U} = \{\mathcal{U}_1, \dots, \mathcal{U}_{\#\mathcal{U}}\}$ . We replace the value of  $\Lambda_{m,n}$  on each  $\mathcal{U}_k$  by that of  $\tilde{\Lambda}_{m,n}$  sequentially, i.e.,

$$S_{m,n}^0 := \Lambda_{m,n}, \quad S_{m,n}^k = S_{m,n}^{k-1} \mathbf{1}_{\mathcal{U}_k^c} + \tilde{\Lambda}_{m,n} \mathbf{1}_{\mathcal{U}_k}.$$

Under these notations, we telescope the difference  $\mathcal{G}[\Lambda_{m,n}, g^{\text{ic}}] - \mathcal{G}[\tilde{\Lambda}_{m,n}, g^{\text{ic}}]$  accordingly as

$$\mathcal{G}[\Lambda_{m,n}, g^{\text{ic}}] - \mathcal{G}[\tilde{\Lambda}_{m,n}, g^{\text{ic}}] = \sum_{k=1}^{\#\mathcal{U}} (\mathcal{G}[S_{m,n}^k, g^{\text{ic}}] - \mathcal{G}[S_{m,n}^{k-1}, g^{\text{ic}}]). \quad (7.6)$$

Given the decomposition, we now fix  $k \in \{1, \dots, \#\mathcal{U}\}$  and  $(t_0, \xi_0) \in [0, T] \times \mathbb{R}$ , and proceed to bound the quantity  $|\mathcal{G}[S_{m,n}^k, g^{\text{ic}}] - \mathcal{G}[S_{m,n}^{k-1}, g^{\text{ic}}]|$ . Let us prepare a few notations for this. Parametrize  $\mathcal{U}_k \in \mathcal{U}$  as

$$\mathcal{U}_k = \{(t, \xi) : |\xi + \zeta_0 - \frac{b}{\tau}(t - \underline{s})| \leq b''_{m,n}, t \in [\underline{s}, \bar{s}]\}, \quad (7.7)$$

where  $\underline{s} := (i' - 1)\sigma_m$ ,  $\bar{s} := i'\sigma_m$ , for some  $i' \in \mathbb{N}$ , and  $\zeta_0 = (j - 1)b \pm b'_m$ , for some  $j' \in \mathbb{N}$ . In addition to  $\mathcal{U}_k$ , we consider also the region

$$\begin{aligned} \mathcal{V}^+ &:= \{(t, \xi) : 0 \leq (\xi + \zeta_0 - \frac{b}{\tau}(t - \underline{s})) \leq b'_m, t \in [\underline{s}, \bar{s}]\}, \\ \mathcal{V}^- &:= \{(t, \xi) : -b'_m \leq (\xi + \zeta_0 - \frac{b}{\tau}(t - \underline{s})) \leq 0, t \in [\underline{s}, \bar{s}]\}; \end{aligned}$$

see Figure 12. Recall from (6.59) that  $\widehat{\mathcal{X}}_i$  denotes the coarser partition, and let  $\mathcal{Z}^-, \mathcal{Z}^+ \in \cup_{i=1}^{\ell_*} \widehat{\mathcal{X}}_i$  denote

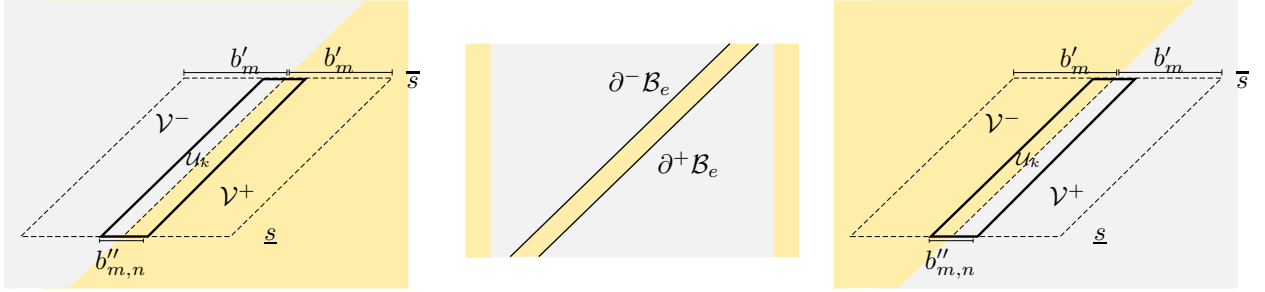


FIGURE 12. The regions  $\mathcal{U}_k$ ,  $\mathcal{V}^+$  and  $\mathcal{V}^-$

the two regions from these partitions that intersect with  $\mathcal{U}_k$ , (i.e.,  $\mathcal{Z}^\pm \cap \mathcal{U}_k \neq \emptyset$ ), with  $\mathcal{Z}^-$  on the left and  $\mathcal{Z}^+$  on the right. Referring to Figure 13, we see that

$$\tilde{\Lambda}_{m,n}|_{(\mathcal{V}^\pm)^\circ} = \lambda_{\mathcal{Z}^\pm}, \quad (7.8)$$

$$\tilde{\Lambda}_{m,n}^k|_{(\mathcal{V}^\pm \setminus \mathcal{U}_k)^\circ} = \lambda_{\mathcal{Z}^\pm}, \quad \tilde{\Lambda}_{m,n}^{k-1}|_{(\mathcal{V}^\pm \setminus \mathcal{U}_k)^\circ} = \lambda_{\mathcal{Z}^\pm}. \quad (7.9)$$

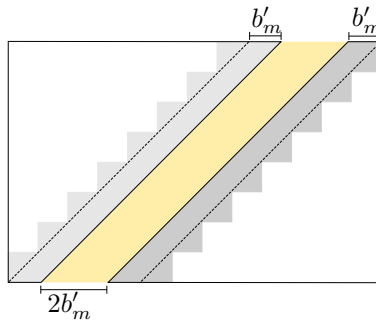


FIGURE 13. On each reduced triangle  $\triangle$ , the function  $\tilde{\Lambda}_{m,n}$  takes value  $\lambda_\triangle$  on the gray regions, no matter  $\lambda_\triangle \geq 1$  or  $\lambda_\triangle < 1$ . The gray regions stretch a distance  $b'_m$  from the buffer zone into the reduced triangles.



We now begin to bound  $|\mathcal{G}[S_{m,n}^k, g^{\text{ic}}] - \mathcal{G}[S_{m,n}^{k-1}, g^{\text{ic}}]|$ . To this end, we assume  $\lambda_{\mathcal{Z}^+} \geq \lambda_{\mathcal{Z}^-}$  for simplicity of notations. The other scenario is proven by the same argument. The functions  $S_{m,n}^k, S_{m,n}^{k-1}$  differ only on  $\mathcal{U}_k$ , and by (7.8), these functions  $S_{m,n}^k, S_{m,n}^{k-1}$  takes two values  $\{\lambda_{\mathcal{Z}^+}, \lambda_{\mathcal{Z}^-}\}$  on  $\mathcal{U}_k$ . Under this property, we define the upper and lower envelopes of  $S_{m,n}^k, S_{m,n}^{k-1}$  as

$$S^* := S_{m,n}^k \mathbf{1}_{([0,T] \times \mathbb{R}) \setminus \mathcal{U}_k} + \lambda_{\mathcal{Z}^+} \mathbf{1}_{\mathcal{U}_k}, \quad S_* := S_{m,n}^{k-1} \mathbf{1}_{([0,T] \times \mathbb{R}) \setminus \mathcal{U}_k} + \lambda_{\mathcal{Z}^-} \mathbf{1}_{\mathcal{U}_k},$$

so that  $S_* \leq S_{m,n}^k, S_{m,n}^{k-1} \leq S^*$ . Combining this with (6.15) gives

$$|\mathcal{G}[S_{m,n}^k, g^{\text{ic}}] - \mathcal{G}[S_{m,n}^{k-1}, g^{\text{ic}}]| \leq \mathcal{G}[S^*, g^{\text{ic}}] - \mathcal{G}[S_*, g^{\text{ic}}]. \quad (7.10)$$

The next step is to bound the r.h.s. of (7.10). We do so by appealing to the variational formulation:

$$\begin{aligned} \mathcal{G}[S^*, g^{\text{ic}}](t_0, \xi_0) &:= \inf_{w \in W(t_0, \xi_0)} \{ \Theta_{0,t_0}(S^*; w) + g^{\text{ic}}(w(0)) \}, \\ \mathcal{G}[S_*, g^{\text{ic}}](t_0, \xi_0) &:= \inf_{v \in W(t_0, \xi_0)} \{ \Theta_{0,t_0}(S_*; v) + g^{\text{ic}}(v(0)) \}. \end{aligned} \quad (7.11)$$

Fix a generic  $w \in W(t_0, \xi_0)$ . Indeed, because  $S^* \geq S_*$  and because of (6.15),

$$\Theta_{0,t_0}(S^*; w) + g^{\text{ic}}(w(0)) \geq \Theta_{0,t_0}(S_*; w) + g^{\text{ic}}(w(0)).$$

Our goal is to perform surgery on the path  $w$  to obtain a new path  $v$ , so that the reverse inequality holds for  $v$ , up to an error of order  $n^{-1}$ . Consider the last time  $t_* := \inf\{t \in [\underline{s}, \bar{s}] : w(t) \in \mathcal{U}_k\}$  when  $w$  lies within  $\mathcal{U}_k$ . If  $t_* = \infty$ , i.e.,  $w$  never lies within  $\mathcal{U}_k$ , taking  $v = w$  (7.11) gives

$$\Theta_{0,t_0}(S^*; w) + g^{\text{ic}}(w(0)) = \Theta_{0,t_0}(S_*; w) + g^{\text{ic}}(w(0)) \geq \mathcal{G}[S^*, g^{\text{ic}}](t_0, \xi_0).$$

Otherwise, applying Lemma 6.1(c) with  $(s_0, t'_0, t_0) = (0, t_*, t_0)$  and with  $S = S_*$ , we obtained a modified path  $\tilde{w} \in W(t_0, \xi_0)$ , such that

$$\Theta_{0,t_0}(S_*; \tilde{w}) + g^{\text{ic}}(\tilde{w}(0)) \leq \Theta_{0,t_0}(S_*; w) + g^{\text{ic}}(w(0)), \quad (7.12)$$

that  $(t, \tilde{w})|_{[0, t_*]} \in \mathcal{C}(t_*, w(t_*))$ , and that  $\tilde{w}|_{[t_*, t_0]} = w|_{[t_*, t_0]}$ . The last property ensures that  $(t, \tilde{w}(t))|_{(t_*, t_0]} \notin \mathcal{U}_k$ , and we already have  $(t, \tilde{w}(t))|_{[0, \underline{s}]} \notin \mathcal{U}_k$  (see (7.7)). Since  $\mathcal{U}_k$  is the only region where  $S^*$  and  $S_*$  differ, our next step is to modify the path  $\tilde{w}(t)$  for  $t \in [\underline{s}, t_*]$ .

Fix a small parameter  $\delta > 0$ . We set

$$v_\delta(t) := \begin{cases} \tilde{w}(t) & , \text{ for } t \in [0, \underline{s}] \cup [t_*, t_0], \\ \tilde{w}(t) - 3b''_{m,n} & , \text{ for } t \in [\underline{s} + \delta, t_* - \delta], \\ \tilde{w}(\underline{s}) + 3b''_{m,n} \delta^{-1}(t - \underline{s}) & , \text{ for } t \in (\underline{s}, \underline{s} + \delta), \\ \tilde{w}(t_*) - 3b''_{m,n} \delta^{-1}(t_* - t) & , \text{ for } t \in (t_* - \delta, t_*). \end{cases}$$

That is, we shift the part of  $\tilde{w}$  within  $t \in [\underline{s} + \delta, -\delta + t_*]$ , by distance  $3b''_{m,n}$  to the left. Within the intervals  $(\underline{s}, \underline{s} + \delta)$  and  $(-\delta + t_*, t_*)$ , we linearly joint the path to ensure  $v_\delta \in W(t_0, \xi_0)$ . For such a path  $v_\delta$ , evaluate the corresponding functional  $\Theta_{0,t_0}(S^*; v_\delta) + g^{\text{ic}}(v_\delta(0))$ , and let  $\delta \downarrow 0$  to get

$$\lim_{\delta \downarrow 0} (\Theta_{0,t_0}(S^*; v_\delta) + g^{\text{ic}}(v_\delta(0))) = \Theta_{0, \underline{s}}(S^*; \tilde{w}) + \Theta_{t_*, t_0}(S^*; \tilde{w}) + g^{\text{ic}}(\tilde{w}(0)) \quad (7.13a)$$

$$+ \Theta_{\underline{s}, t_*}(S^*; \tilde{w} - 3b''_{m,n}) \quad (7.13b)$$

$$+ \lim_{\delta \downarrow 0} \Theta_{\underline{s}, \underline{s} + \delta}(S^*; v_\delta) + \lim_{\delta \downarrow 0} \Theta_{-\delta + t_*, t_*}(S^*; v_\delta). \quad (7.13c)$$

We now analyze the expressions on (7.13a)–(7.13c) each by each.

- As mentioned earlier, for  $t \in [0, \underline{s}]$  and for  $t \in (t_*, t_0]$ ,  $\tilde{w}(t)$  sits entirely within the region where  $S^* = S_*$ , so we replace  $S^*$  by  $S_*$  on the r.h.s. of (7.13a).
- Next, for  $t \in (\underline{s}, t_*)$ , given the properties

$$(t_*, \tilde{w}(t_*)) \in \mathcal{U}_k, \quad (t, \tilde{w}(t))|_{t \in [0, t_*]} \in \mathcal{C}(t_*, w(t_*)), \quad t_* - \underline{s} \leq \sigma_m,$$

using the same speed-counting argument below (6.79), we have that

$$S^*(t, \tilde{w}(t) - 3b''_{m,n})|_{t \in (\underline{s}, t_*)} \leq S_*(t, \tilde{w}(t))|_{t \in (\underline{s}, t_*)}, \quad (7.14)$$

for all  $n$  large enough such that  $4b''_{m,n} < b'_m - \sigma_m(\bar{\lambda} + \frac{b}{\tau})$ . Further, by (7.9), we have  $S^*|_{(\mathcal{V}^- \setminus \mathcal{U}_k)^\circ} = \lambda_{\mathcal{Z}^-}$ . This together with (7.14) and  $\lambda_{\mathcal{Z}^-} \leq \lambda_{\mathcal{Z}^+}$  gives

$$S^*(t, \tilde{w}(t) - 3b''_{m,n})|_{t \in (\underline{s}, t_*)} \leq S_*(t, \tilde{w}(t))|_{t \in (\underline{s}, t_*)},$$

for all  $n$  large enough, and therefore  $\Theta_{\underline{s}, t_*}(S^*; \tilde{w} - 3b''_{m,n}) \leq \Theta_{\underline{s}, t_*}(S_*; \tilde{w})$ .

- For  $t \in (\underline{s}, t_*)$  and for  $t \in (-\delta + t_*, t_*)$ , the path  $v_\delta$  has constant velocity  $v_\delta = \pm\delta^{-1}3b''_{m,n}$ . Using this and (6.14) gives

$$\lim_{\delta \downarrow 0} \Theta_{\underline{s}, \underline{s}+\delta}(S^*; v_\delta) = 0, \quad \lim_{\delta \downarrow 0} \Theta_{-\delta+t_*, t_*}(S^*; v_\delta) = 3b''_{m,n}.$$

Combining the preceding discussions with (7.13) gives

$$\lim_{\delta \downarrow 0} (\Theta_{0, t_0}(S^*; v_\delta) + g^{\text{ic}}(v_\delta(0))) \leq \Theta_{0, t_0}(S_*; \tilde{w}) + g^{\text{ic}}(\tilde{w}(0)) + 3b''_{m,n}.$$

Further combining this is with (7.12) and (7.11), we arrive at  $\mathcal{G}[S_*, g^{\text{ic}}](t_0, \xi_0) \geq \Theta_{0, t_0}(S_*; \tilde{w}) + g^{\text{ic}}(\tilde{w}(0)) + 3b''_{m,n}$ . As this holds for all  $w \in W(t_0, \xi_0)$  and all  $(t_0, \xi_0)$ , we conclude

$$\mathcal{G}[S_*, g^{\text{ic}}] \geq \mathcal{G}[S^*, g^{\text{ic}}] - 3b''_{m,n}.$$

Inserting this into (7.10) thus gives

$$|\mathcal{G}[S_{m,n}^k, g^{\text{ic}}] - \mathcal{G}[S_{m,n}^{k-1}, g^{\text{ic}}]| \leq 3b''_{m,n}. \quad (7.15)$$

Applying the bound (7.15) within the decomposition (7.6) gives

$$|\mathcal{G}[\Lambda_{m,n}, g^{\text{ic}}] - \mathcal{G}[\tilde{\Lambda}_{m,n}, g^{\text{ic}}]| \leq 3\#\mathcal{U}b''_{m,n}. \quad (7.16)$$

Referring to the preceding definition of  $\mathcal{U}$ , we see that  $\#\mathcal{U}$  depends on  $\ell_*$  and  $m$  only, and in particular does not depend on  $n$ . Hence letting  $n \rightarrow \infty$  in (7.16) completes the proof.  $\square$

**7.2. Estimating the relative entropy.** Recall that  $\mathbf{Q}_N^S$  denotes the law of the inhomogeneous TASEP with a simple speed function  $S$ . Having constructed  $\Lambda_{m,n}$ , in this subsection we estimate the relative entropy  $\frac{1}{N^2}H(\mathbf{Q}_N^{\Lambda_{m,n}}|\mathbf{P}_N^g)$ . First, from the explicit formula (5.10) and (7.2), we have

$$\frac{1}{N^2}H(\mathbf{Q}_N^{\Lambda_{m,n}}|\mathbf{P}_N^g) = \frac{1}{N} \sum_{|x| \leq Nr^*} \mathbf{E}_{\mathbf{Q}_N^{\Lambda_{m,n}}} \left( \int_0^T \phi(\mathbf{h}(Nt), x) \psi\left(\Lambda_{m,n}\left(t, \frac{x}{N}\right)\right) dt \right). \quad (7.17)$$

Let us divide the r.h.s. of (7.17) into two sums over  $|x| \leq Nr_*$  and over  $Nr_* < |x| \leq Nr^*$ , and write resulting sums as  $H_{m,n,N}^1$  and  $H_{m,n,N}^2$ , respectively. More explicitly,

$$H_{m,n,N}^1 := \frac{1}{N} \sum_{|x| \leq Nr_*} \mathbf{E}_{\mathbf{Q}_N^{\Lambda_{m,n}}} \left( \int_0^T \phi(\mathbf{h}(Nt), x) \psi\left(\Lambda_{m,n}\left(t, \frac{x}{N}\right)\right) dt \right), \quad (7.18)$$

$$H_{m,n,N}^2 := \frac{1}{N} \sum_{Nr_* < |x| \leq Nr^*} \mathbf{E}_{\mathbf{Q}_N^{\Lambda_{m,n}}} \left( \int_0^T \phi(\mathbf{h}(Nt), x) \psi\left(\Lambda_{m,n}\left(t, \frac{x}{N}\right)\right) dt \right). \quad (7.19)$$

Recall that  $\Sigma^*$  denotes the restriction of the triangulation  $\Sigma$  onto  $[0, T] \times [-r^*, r^*]$  and that  $\Sigma_*$  denotes the restriction of  $\Sigma$  onto  $[0, T] \times [-r_*, r_*]$ . We begin with a bound on  $H_{m,n,N}^2$ .

**Lemma 7.2.** *We have that*

$$\limsup_{m \rightarrow \infty} \limsup_{n \rightarrow \infty} \limsup_{N \rightarrow \infty} H_{m,n,N}^2 \leq \sum_{\Delta \in \Sigma^* \setminus \Sigma_*} \bar{\psi}(\lambda_\Delta) |\Delta| = \int_0^T \int_{r_* < |\xi| < r^*} \bar{\psi}\left(\frac{g_t}{g_\xi(1-g_\xi)}\right) dt d\xi.$$

*Proof.* Since the mobility function  $\phi(f, x)$  is bounded by 1, we bound the expression (7.19) as

$$H_{m,n,N}^2 \leq \frac{1}{N} \sum_{Nr_* < |x| \leq Nr^*} \int_0^T \psi\left(\Lambda_{m,n}\left(t, \frac{x}{N}\right)\right) dt. \quad (7.20)$$

Since  $\Lambda_{m,n}$  is piecewise constant, and since  $\psi(\Lambda_{m,n})$  is bounded (thanks to (7.3)), letting  $N \rightarrow \infty$  in (7.20), the discrete sum in (7.20) converges to an integral, giving

$$\limsup_{N \rightarrow \infty} H_{m,n,N}^2 \leq \int_0^T \int_{r_* \leq |\xi| \leq r^*} \psi(\Lambda_{m,n}(t, \xi)) dt d\xi. \quad (7.21)$$

With  $\psi(\Lambda_{m,n})$  being bounded, in (7.21), letting  $n \rightarrow \infty$  and  $m \rightarrow \infty$  in order, together with (7.4), we obtain

$$\limsup_{m \rightarrow \infty} \limsup_{n \rightarrow \infty} \limsup_{N \rightarrow \infty} H_{m,n,N}^2 \leq \lim_{m \rightarrow \infty} \lim_{n \rightarrow \infty} \int_0^T \int_{r_* \leq |\xi| \leq r^*} \psi(\Lambda_{m,n}(t, \xi)) dt d\xi = \sum_{\Delta \in \Sigma^* \setminus \Sigma_*} \bar{\psi}(\lambda_\Delta) |\Delta|.$$

This completes the proof.  $\square$

We next establish a bound on  $H_{m,n,N}^1$ .

**Lemma 7.3.** *We have that*

$$\lim_{m \rightarrow \infty} \lim_{n \rightarrow \infty} \lim_{N \rightarrow \infty} H_{m,n,N}^1 = \sum_{\Delta \in \Sigma_*} \rho_\Delta (1 - \rho_\Delta) \bar{\psi}(\lambda_\Delta) = \int_0^T \int_{-r^*}^{r^*} J^{(2)}(g_t, g_\xi) dt d\xi. \quad (7.22)$$

*Proof.* Throughout this proof, we use  $o_{m,n,N}(1)$  and  $u_{m,n}$ , to denote *generic*, deterministic quantities that may change from line to line, but satisfy

$$\lim_{m \rightarrow \infty} \lim_{n \rightarrow \infty} \lim_{N \rightarrow \infty} |o_{m,n,N}(1)| = 0, \quad \limsup_{m \rightarrow \infty} \limsup_{n \rightarrow \infty} |u_{m,n}| \leq 1.$$

Recall from (7.1) that  $\Pi''_{m,n}$  denote a partition of  $[0, T] \times \mathbb{R}$  consisting of rectangles, and that  $\Lambda_{m,n}$  is constant within the interior  $\square^\circ$  of each rectangle  $\square \in \Pi''_{m,n}$ . This being the case, letting  $\Pi''_{*,m,n}$  denote the restriction of  $\Pi''_{m,n}$  onto  $[0, T] \times [-r_*, r_*]$ , we parametrize each  $\square \in \Pi''_{m,n}$  as  $[\underline{t}_\square, \bar{t}_\square] \times [\xi_\square^-, \xi_\square^+]$ , and express (7.18) as

$$\begin{aligned} H_{m,n,N}^1 &= \sum_{\square \in \Pi''_{*,m,n}} \psi(\Lambda_{m,n}|_{\square^\circ}) \mathbf{E}_{\mathbf{Q}_N^{\Lambda_{m,n}}} \int_0^T \frac{1}{N} \sum_{(t,x) \in \square^\circ} \phi(\mathbf{g}(Nt), x) dt \\ &= \sum_{\square \in \Pi''_{*,m,n}} \psi(\Lambda_{m,n}|_{\square^\circ}) \frac{1}{N} \sum_{\frac{x}{N} \in [\xi_\square^-, \xi_\square^+]} \mathbf{E}_{\mathbf{Q}_N^{\Lambda_{m,n}}} \int_{\underline{t}_\square}^{\bar{t}_\square} \phi(\mathbf{g}(Nt), x) dt. \end{aligned} \quad (7.23)$$

Here, unlike in Lemma 7.2, using  $\phi(\mathbf{g}(Nt), x) \leq 1$  does *not* yields a good enough bound for our purpose. Instead, we use the following analog of (4.33) for inhomogeneous TASEPs:

$$\mathbf{E}_{\mathbf{Q}_N^{\Lambda_{m,n}}} \left( \int_{t_1}^{t_2} \Lambda_{m,n}(t, \frac{x}{N}) \phi(\mathbf{g}(Nt), x) dt \right) = \mathbf{E}_{\mathbf{Q}_N^{\Lambda_{m,n}}} \left( \mathbf{g}_N(t_1, \frac{x}{N}) - \mathbf{g}_N(t_2, \frac{x}{N}) \right), \quad (7.24)$$

$\forall t_1 \leq t_2 \in [0, T], x \in \mathbb{Z}$ . Applying (7.24) with  $(t_1, t_2) = (\underline{t}_\square, \bar{t}_\square)$  in (7.23), we obtain the following expression for  $H_{m,n,N}^1$ :

$$H_{m,n,N}^1 = \sum_{\square \in \Pi''_{*,m,n}} \psi(\Lambda_{m,n}|_{\square^\circ}) \frac{1}{\Lambda_{m,n}|_{\square^\circ}} \frac{1}{N} \sum_{\frac{x}{N} \in [\xi_\square^-, \xi_\square^+]} \mathbf{E}_{\mathbf{Q}_N^{\Lambda_{m,n}}} \left( \mathbf{g}_N(t, \frac{x}{N}) \Big|_{\underline{t}_\square}^{\bar{t}_\square} \right). \quad (7.25)$$

Write  $G_{m,n} := \mathcal{G}[\Lambda_{m,n}, g^{\text{ic}}]$  for the Hopf-Lax function. Recall from Corollary 5.3 that,  $\mathbf{g}_N$  converges to  $G_{m,n}$ ,  $\mathbf{Q}_N^{\Lambda_{m,n}}$ -in probability. In order to approximate the r.h.s. of (7.25) in term of  $G_{m,n}$ , our next step to leverage the convergence in probability into convergence in  $L^1$ . Recall from (7.3) that  $\Lambda_{m,n} \leq \bar{\lambda}$ . Consequently, under the law,  $\mathbf{Q}_N^{\Lambda_{m,n}}$ ,  $\mathbf{g}(t_2, x) - \mathbf{g}(t_1, x)$  is stochastically dominated by  $\text{Pois}((t_2 - t_1)\bar{\lambda})$ ,  $\forall t_1 \leq t_2 \in [0, T]$ . In particular,

$$\sup \left\{ \mathbf{E}_{\mathbf{Q}_N^{\Lambda_{m,n}}} \left( \mathbf{g}_N(t, \frac{x}{N}) \Big|_{t_1}^{t_2} \right)^2 : N \in \mathbb{N}, x \in \mathbb{Z}, [t_1, t_2] \subset [0, T] \right\} < \infty. \quad (7.26)$$

The  $L^2$  boundedness (7.26), together with the converges in probability, Corollary 5.3, gives

$$\lim_{N \rightarrow \infty} \frac{1}{N} \sum_{\frac{x}{N} \in [\xi_\square^-, \xi_\square^+]} \mathbf{E}_{\mathbf{Q}_N^{\Lambda_{m,n}}} \left( \mathbf{g}_N(t, \frac{x}{N}) \Big|_{\underline{t}_\square}^{\bar{t}_\square} \right) = \int_{\xi_\square^-}^{\xi_\square^+} G_{m,n}(t, \frac{x}{N}) \Big|_{\underline{t}_\square}^{\bar{t}_\square} d\xi. \quad (7.27)$$

Further, by Lemma 6.1(b), the function  $(t, \xi) \mapsto G_{m,n}(t, \xi)$  is uniformly Lipschitz. This allows us to rewrite the r.h.s. of (7.27) as  $\int_{\square} \partial_t G_{m,n} dt d\xi$ . On this note, combining (7.27) and (7.25) gives

$$\lim_{N \rightarrow \infty} H_{m,n,N}^1 = \int_0^T \int_{-r_*}^{-r^*} \frac{\psi(\Lambda_{m,n})}{\Lambda_{m,n}} \partial_t G_{m,n} dt d\xi. \quad (7.28)$$

Next, recall from (7.4) that  $\Lambda_{m,n}$  converges in  $L^1$  to  $(\lambda_{\Delta} \vee 1)$  on each  $\Delta \in \Sigma^*$  under the relevant limit. Further,  $\Lambda_{m,n}$  is bounded away from zero and infinity (by (7.3)), and  $\partial_t G_{m,n}$  is uniformly bounded (by Lemma 6.1(b)). Under these properties, we rewrite the r.h.s. of (7.28) as  $\sum_{\Delta \in \Sigma_*} \int_{\Delta} \partial_t G_{m,n} \psi(\Lambda_{m,n}) / \Lambda_{m,n} dt d\xi$ , and for on each  $\Delta \in \Sigma_*$ , replace  $\Lambda_{m,n}$  with its limiting value  $\lambda_{\Delta} \vee 1$ . This, together with  $\psi(\lambda \vee 1) / (\lambda \vee 1) = \bar{\psi}(\lambda) / \lambda$ , gives

$$\lim_{m \rightarrow \infty} \lim_{n \rightarrow \infty} \lim_{N \rightarrow \infty} H_{m,n,N}^1 = \sum_{\Delta \in \Sigma_*} \frac{\bar{\psi}(\lambda_{\Delta})}{\lambda_{\Delta}} \lim_{m \rightarrow \infty} \lim_{n \rightarrow \infty} \int_{\Delta} \partial_t G_{m,n} dt d\xi, \quad (7.29)$$

provided that the limit  $(\lim_{m \rightarrow \infty} \lim_{n \rightarrow \infty} \int_{\Delta} \partial_t G_{m,n} dt d\xi)$  exists, for each  $\Delta \in \Sigma_*$ . Fixing  $\Delta \in \Sigma_*$ , We next show that the corresponding limit does exist, and calculate its value. To this end, we parametrize the triangle as  $\Delta = \{(t, \xi) : t \in [\underline{t}_{\Delta}(\xi), \bar{t}_{\Delta}(\xi)], \xi \in [\xi_{\Delta}^-, \xi_{\Delta}^+]\}$ , and write

$$\int_{\Delta} \partial_t G_{m,n} = \int_{\xi_{\Delta}^-}^{\xi_{\Delta}^+} G_{m,n}(t, \xi) \Big|_{\underline{t}_{\Delta}(\xi)}^{\bar{t}_{\Delta}(\xi)} d\xi. \quad (7.30)$$

By Proposition 7.1, the function  $G_{m,n}$  converges uniformly to  $g$  on  $[0, T] \times [-r_*, r_*]$  under the relevant iterated limit. Using this the take limit (7.30) gives

$$\lim_{m \rightarrow \infty} \lim_{n \rightarrow \infty} \int_{\Delta} \partial_t G_{m,n} = \int_{\xi_{\Delta}^-}^{\xi_{\Delta}^+} g(t, \xi) \Big|_{\underline{t}_{\Delta}(\xi)}^{\bar{t}_{\Delta}(\xi)} d\xi = \int_{\Delta} g_t dt d\xi = |\Delta| \kappa_{\Delta}. \quad (7.31)$$

Inserting (7.31) into (7.29), together with  $\kappa_{\Delta} / \lambda_{\Delta} = \rho_{\Delta}(1 - \rho_{\Delta})$ , we conclude the desired result (7.22).  $\square$

Combining Lemma 7.2–7.3 immediately yields:

**Corollary 7.4.** *We have that*

$$\limsup_{m \rightarrow \infty} \limsup_{n \rightarrow \infty} \limsup_{N \rightarrow \infty} \frac{1}{N^2} H(\mathbf{Q}_N^{\Lambda_{m,n}} | \mathbf{P}_{g^{\text{ic}}}) \leq \int_0^T \int_{-r^*}^{r^*} J^{(2)}(g_t, g_{\xi}) dt d\xi + \int_0^T \int_{r_* < |\xi| < r^*} \bar{\psi}\left(\frac{g_t}{g_{\xi}(1 - g_{\xi})}\right) dt d\xi.$$

**7.3. Proof of Proposition 3.5.** With  $\varepsilon_* > 0$  being given and fixed, we apply Proposition 7.1 and Corollary 7.4, to obtain fixed  $m_*, n_* \in \mathbb{N}$  such that

$$\sup_{[0, T] \times [-r_*, r_*]} |\mathcal{G}[\Lambda_{m_*, n_*}, g^{\text{ic}}] - g| < \varepsilon_*, \quad (7.32)$$

$$\limsup_{n \rightarrow \infty} \limsup_{N \rightarrow \infty} \frac{1}{N^2} H(\mathbf{Q}_N^{\Lambda_{m_*, n_*}} | \mathbf{P}_{g^{\text{ic}}}) < \int_0^T \int_{\mathbb{R}} J^{(2)}(g_t, g_{\xi}) dt d\xi + \int_0^T \int_{r_* < |\xi| < r^*} \bar{\psi}\left(\frac{g_t}{g_{\xi}(1 - g_{\xi})}\right) dt d\xi. \quad (7.33)$$

Given such  $m_*, n_* \in \mathbb{N}$ , we set  $\mathbf{Q}_N := \mathbf{Q}_N^{\Lambda_{m_*, n_*}}$ . The inequality verifies (7.33) the condition (3.27). Next, combining (7.32) with Corollary 5.3, we see that the condition (3.25) holds.

It remains only to check the condition (3.26). From the explicit formula (5.9) and by (7.2), we have that

$$\begin{aligned} & \frac{1}{N^2} \log \frac{d\mathbf{Q}_N}{d\mathbf{P}_N^g} \\ &= \frac{1}{N} \sum_{\frac{x}{N} \in [-r^*, r^*]} \int_0^T \left( \log \Lambda_{m_*, n_*}(Nt, \frac{x}{N}) dh_N(t, \frac{x}{N}) - \phi(\mathbf{h}(Nt), x) (\Lambda_{m_*, n_*}(Nt, \frac{x}{N}) - 1) dt \right). \end{aligned} \quad (7.34)$$

From (7.3), we have the bounds  $|\log(\Lambda_{m_*, n_*})| \leq |\log \underline{\lambda}| + |\log \bar{\lambda}| := A$  and  $|\Lambda_{m_*, n_*} - 1| \leq \bar{\lambda} + 1$ . Using these bounds in (7.34) gives

$$\left| \frac{1}{N^2} \log \frac{d\mathbf{Q}_N}{d\mathbf{P}_N^g} \right| \leq \frac{1}{N} \sum_{\frac{x}{N} \in [-r^*, r^*]} \left( A h_N(t, \frac{x}{N}) \Big|_{t=0}^{t=T} + (\bar{\lambda} + 1) T \right). \quad (7.35)$$

Taking  $(\mathbf{E}_{\mathbf{Q}_N}(\cdot)^2)$  on both sides of (7.35) and using Jensen's inequality, we arrive at

$$\mathbf{E}_{\mathbf{Q}_N} \left( \left[ \frac{1}{N^2} \log \frac{d\mathbf{Q}_N}{d\mathbf{P}_N^g} \right]^2 \right) \leq \frac{4r^*A}{N} \sum_{|x| \leq Nr^*} \mathbf{E}_{\mathbf{Q}_N} \left( \left[ h_N(t, \frac{x}{N}) \Big|_{t=0}^{t=T} \right]^2 \right) + 4r^*(\bar{\lambda} + 1)^2 T^2. \quad (7.36)$$

Using the  $L^2$  bound (7.26) on the r.h.s. of (7.36), we conclude the desired condition (3.26) and hence complete the proof.

#### APPENDIX A. SUPER-EXPONENTIAL ONE-BLOCK ESTIMATE AND SMALLER DEVIATIONS

This is section we gives some discussions about deviations at speed  $N^{-a}$ ,  $1 < a < 2$ . The purpose is to investigate deviations in a finer topology, where also the oscillations of  $h_\xi$  are taken into account. This gives rise to the discussions about measure-valued solutions and Young measures in the following. The results in this section are not used in the rest of the article.

Recall the definition of  $\phi$  from (1.4) and recall that  $\Phi^{(2)}(\rho) := \rho(1 - \rho)$ . To simply notation, hereafter we write  $\Phi^{(2)}(\rho) = \Phi(\rho)$ . In this section, we change the underlying space from the full-line  $\mathbb{Z}$  to a discrete torus  $\mathbb{T}_N := \mathbb{Z}/(N\mathbb{Z}) \simeq \{0, 1, \dots, N-1\}$  of  $N$  sites, as the latter is more convenient for our discussion here. Correspondingly we let  $\mathbb{T} := \mathbb{R}/\mathbb{Z} \simeq$  denotes the continuous torus. The height function  $h$  and consequently the space  $\mathcal{D}$  need to be modified accordingly, with heights being understood under suitable modulation. Additionally, we will also view TASEP as a Markov process of the occupation variables. That is, we consider the occupation variables  $\eta(t, x) := h(t, x+1) - h(t, x)$ , which is the indicator function of having a particle at  $x - \frac{1}{2}$ , and view TASEP as a Markov process with state space  $\{0, 1\}^{\mathbb{T}_N} = (\eta = (\eta(x))_{x \in \mathbb{T}_N})$ . It is known that, for each fixed  $\rho \in [0, 1]$ , TASEP has i.i.d. Bernoulli invariant distribution  $\mu_\rho := \text{Ber}(\rho)^{\otimes \mathbb{T}_N}$ . Under this setup, we write  $\phi(\eta, x) = \eta(x-1)(1 - \eta(x))$ , and  $\eta^{\text{ic}}(x) := h^{\text{ic}}(x+1) - h^{\text{ic}}(x)$ , and

$$\bar{\eta}_k(x) := \frac{1}{k} \sum_{|x' - x + \frac{1}{2}| \leq \frac{k}{2}} \eta(x'), \quad (A.1)$$

for the local average around  $x$  of width  $k$ .

The first observation here is that the classical proof of super-exponential one-block estimate [KOV89] extends to speed  $N^{2-\delta}$ ,  $\delta > 0$ , for TASEP. This can be seen as a slight improvement of in [Var04, Theorem 3.2].

**Lemma A.1.** *For a given bounded  $G(t, \xi) : [0, \infty) \times \mathbb{T} \rightarrow \mathbb{R}$ , define*

$$V_{N,k}(G, \eta, t) := \sum_{x \in \frac{1}{N}\mathbb{T}_N} G(t, \frac{x}{N}) (\phi(\eta, Nx) - \Phi(\bar{\eta}_k(Nx))). \quad (A.2)$$

For any fixed  $a, \delta \in (0, 1)$ ,  $T < \infty$ , and a deterministic initial condition  $\eta^{\text{ic}}$ , we have

$$\limsup_{k \rightarrow \infty} \limsup_{N \rightarrow \infty} N^{-2+\delta} \log \mathbf{P}_{\eta^{\text{ic}}} \left( \int_0^T V_{N,k}(G, \eta(tN), t) dt \geq aN \right) = -\infty.$$

*Proof.* Fixing  $a, \delta > 0$ ,  $T < \infty$ , a bounded  $G$ , and a deterministic initial condition  $\eta^{\text{ic}}$ , throughout this proof we write  $C = C(\alpha, \delta, G, T)$  and  $V_{N,k}(G, \eta, t) = V(\eta, t)$  to simplify notations.

Set  $F(\eta) := \mathbf{P}_\eta \left( \int_0^T V_{N,k}(\eta(tN^2), t) dt \geq aN \right)$ . Our aim is to bound  $F(\eta^{\text{ic}})$ . To this end, fixing the reference measure  $\mu_* := \mu_{\frac{1}{2}}$ , we claim that, instead of  $F(\eta^{\text{ic}})$ , it suffices to consider  $\int F(\eta) d\mu_*(\eta)$ . Indeed, the measure  $\mu_*(\eta^{\text{ic}})$  assigns weight  $2^{-N}$  to  $\eta^{\text{ic}}$ , i.e.,  $\mathbf{P}_{\mu_*}(\eta^{\text{ic}}) = 2^{-N}$ . From this we have  $\int F(\eta) d\mu_*(\eta) \geq 2^{-N} F(\eta^{\text{ic}})$ . Take logarithm on both sides and divide the result by  $N^{2-\delta}$ . We have

$$N^{-2+\delta} \log \int F(\eta) d\mu_*(\eta) \geq -N^{-1+\delta} \log 2 + N^{-2+\delta} \log F(\eta^{\text{ic}}).$$

Given this, with  $\delta < 1$ , it suffices to show that

$$\limsup_{k \rightarrow \infty} \limsup_{N \rightarrow \infty} N^{-2+\delta} \log \int F(\eta) d\mu_*(\eta) = -\infty. \quad (A.3)$$

To begin, fix  $\ell > 0$ , and set

$$u(\eta, T) := \mathbf{E}_\eta \left( \exp \left( \int_0^T N^{1-\delta} \ell V(\eta, t) dt \right) \right). \quad (A.4)$$

Exponential Chebichef inequality gives  $F(\eta) \leq e^{-a\ell N^{-2+\delta}} u(\eta, T)$ . Integrating both sides with respect to  $d\mu_*$ , followed by using  $\int f d\mu_* \leq (\int f^2 d\mu_*)^{1/2}$ , we obtain

$$\int f(\eta) d\mu_*(\eta) \leq e^{-a\ell N^{-2+\delta}} \left( \int u^2(\eta, T) d\mu_*(\eta) \right)^{1/2}. \quad (\text{A.5})$$

We proceed to bound the last integral of  $u^2$ . Consider the solution of

$$\partial_s u(\eta, s) = NLu(\eta, s) + \ell N^{1-\delta} V(\eta, T-s)u(\eta, s), \quad 0 \leq s \leq T, \quad (\text{A.6})$$

with initial condition  $u(\eta, 0) = 1$ . The Feynman–Kac formula asserts that  $u(\eta, T)$  is given by (A.4).

Here  $Lf(\eta) := \sum_{x \in \mathbb{T}_N} \phi(\eta, x)(f(\eta^{x, x+1}) - f(\eta))$  denotes the generator of TASEP, where  $\eta^{x, x+1}$  is the particle configuration obtained by swapping particles at sites  $x$  and  $x+1$ . , we consider the Dirichlet form (corresponding to  $L$ )

$$\mathfrak{D}_x(f) := \int (f(\eta^{x, x+1}) - f(\eta))^2 d\mu_*, \quad \mathfrak{D}(f) := \sum_{x \in \mathbb{T}_N} \mathfrak{D}_x(f). \quad (\text{A.7})$$

From (A.6), we calculate

$$\frac{1}{2} \frac{d}{dt} \int u(\eta, t)^2 d\mu_* = \int u(\eta, t)(NL + N^{1-\delta} \ell V(\eta, T-t))u(\eta, t) d\mu_*.$$

Further using the property  $\int fLf d\mu_* = \mathfrak{D}(f)$ , we bound

$$\frac{1}{2} \frac{d}{dt} \int u(\eta, t)^2 d\mu_* = \Gamma \int u(\eta, t)^2 d\mu_*, \quad (\text{A.8})$$

$$\Gamma := \sup_{f: \|f\|_2=1, t \leq T} \left\{ \int N^{1-\delta} \ell V(\eta, T-t) f^2(\eta) d\mu_*(\eta) - N \mathfrak{D}(f) \right\}. \quad (\text{A.9})$$

Here  $\|f\|_2 := \int f^2 d\mu_*$  denotes the  $L^2$ -norm with respect to the reference measure  $\mu_*$ . Applying Gronwall's inequality to (A.8) gives

$$\int u(\eta, T)^2 d\mu_* \leq e^{2T\Gamma}. \quad (\text{A.10})$$

We proceed to bound  $\Gamma$ . To this end, divide  $\mathbb{T}_N$  into blocks of length  $k$ :  $I_0 := \{x \in \mathbb{T}_N : |x - \frac{1}{2}| \leq k\}$ , and  $I_j := jk + I_0$ . Let  $\tau_j \eta(x) := \eta(x+j)$ ,  $\tau_j f(\eta) := f(\tau_j \eta)$  denote the shift operator, and set  $W_k = |\sum_{x=1}^k (\eta(x)(1-\eta(x-1)) - \Phi(\bar{\eta}_k(0)))|$ . We have  $V(\eta, t) \leq C \|G\|_{L^\infty(\mathbb{R})} (\sum_{|j| \leq Nk-1} W_k(\tau_j \eta) + Ck)$ . This gives

$$N^{-2+\delta} \Gamma(t) \leq \sup_{f: \|f\|_2=1} \frac{1}{N} \sum_{|j| \leq Nk-1} \left( C\ell \int W_k(\eta)(\tau_j f^2)(\eta) d\mu_*(\eta) - N^\delta \sum_{x \in I_0} \mathfrak{D}_x(\tau_j f) \right) + CN^{-1-\delta} ak. \quad (\text{A.11})$$

Consider the space of functions  $\mathcal{F}_k := \{g : \{0, 1\}^{I_0} \rightarrow \mathbb{R}\}$  that depends only on the configurations within  $I_0$ . Our plan is to localized the r.h.s. of (A.11) onto  $\mathcal{F}_k$ . To this end, decompose the product Bernoulli measure  $\mu_* = \text{Ber}(1/2)^{\otimes \mathbb{T}_N}$  into  $\mu_k := \text{Ber}(1/2)^{\otimes I_0}$  and  $\mu'_k := \text{Ber}(1/2)^{\otimes (\mathbb{T}_N \setminus I_0)}$ . Consider the average  $\tilde{f}_j := (\int (\tau_j f^2) d\mu'_k)^{1/2}$ , which is a function in  $\mathcal{F}_k$ . Indeed, since  $W_k(\eta) \in \mathcal{F}_k$ , we have  $\int W_k(\tau_j f^2) d\mu_* = \int W_k \tilde{f}_j^2 d\mu_k$ . Further, from the known variational formula for Dirichlet form (see [KL13, Theorem 10.2, Appendix 1]), we have  $\sum_{x \in I_0} \mathfrak{D}_x(\tau_j f) \geq \mathfrak{D}_k(\tilde{f}_j)$ , where, for  $g \in \mathcal{F}_k$ ,

$$\mathfrak{D}_k(g) := \sum_{x=0}^{k-1} \int (g(\eta^{x, x+1}) - g(\eta))^2 d\mu_k.$$

From these discussion we have

$$\begin{aligned} N^{-2+\delta} \Gamma(t) &\leq \sup_{g \in \mathcal{F}_k, \|g\|_2=1} \left( \frac{C\ell}{k} \int W_k g^2 d\mu_k - N^\delta \mathfrak{D}_k(g) \right) + CN^{-1-\delta} ak \\ &\leq C \sup_{\substack{g \in \mathcal{F}_k, \|g\|_2=1 \\ \mathfrak{D}_k(g) \leq C\alpha N^{-\delta}}} \frac{C\ell}{k} \int W_k g^2 d\mu_k + CN^{-1-\delta} ak, \end{aligned}$$

where, the last inequality follows by using  $\int W_k g d\mu_k \leq C$ . Sending  $N \rightarrow \infty$  gives

$$\limsup_{N \rightarrow \infty} N^{-2+\delta} \Gamma(t) \leq C \ell \sup \left\{ \int \frac{1}{k} W_k g^2 d\mu_k : g \in \mathcal{F}_k, \mathfrak{D}_k(g) = 0, \|g\|_2 = 1 \right\}.$$

Now, the condition  $\mathfrak{D}_k(g) = 0$  forces  $g$  to be a constant on the hyperplane  $\{\sum_{x \in I_0} \eta(x) = i\}$ ,  $i = 0, \dots, k$ . From this, it is standard (see, e.g., [KL13, Chapter 5.4]) to show that

$$\limsup_{k \rightarrow \infty} \limsup_{N \rightarrow \infty} N^{-2+\delta} \Gamma(t) \leq C \ell \limsup_{k \rightarrow \infty} \sup \left\{ \int \frac{1}{k} W_k g^2 d\mu_k : g \in \mathcal{F}_k, \mathfrak{D}_k(g) = 0, \|g\|_2 = 1 \right\} = 0.$$

Combining this with (A.5) and (A.10), with  $\ell > 0$  being arbitrary, we conclude the desired result (A.3).  $\square$

We now proceed to define measure-valued solutions of Burgers equation. Our definition differs slightly from the standard one (see, e.g., [KL13, Section 8]). Let  $\mathcal{M}_1(\Omega)$  denote the set of probability measures on a metric space  $\Omega$ . Fix a time horizon  $T \in (0, \infty)$  hereafter. Consider the space

$$\mathbb{Y} := \{\nu(t, \xi; d\rho) : (t, x) \mapsto \nu(t, \xi; d\rho) \in \mathcal{M}_1[0, 1]\}.$$

of measurable maps  $[0, T] \times \mathbb{T} \rightarrow \mathcal{M}_1[0, 1]$ . Recall the definition of  $\mathcal{D}_d$  from (1.14). Consider

$$\mathcal{D}^m := \left\{ (h, \nu) \in \mathcal{D}_d \times \mathbb{Y} : h_\xi(t, \xi) = \int_{[0,1]} \rho \nu(t, \xi; d\rho), \text{ a.e. } (t, \xi) \in [0, T] \times \mathbb{T} \right\}.$$

We say  $(h, \nu) \in \mathcal{D}^m$  is a **measure-valued** solution of (1.6) equation if

$$h_t(t, \xi) = \int_{[0,1]} \Phi(\rho) \nu(t, \xi; d\rho), \text{ a.e. } (t, \xi) \in [0, T] \times \mathbb{T}. \quad (\text{A.12})$$

**Remark A.2.** Every such solution of (1.6) is a measure-valued solution. That is, for any  $h \in \mathcal{D}_d$  such that  $h_t \leq \Phi(h_\xi)$  a.e., there exists  $\nu \in \mathbb{Y}$  such that  $(h, \nu) \in \mathcal{D}^m$  and (A.12) holds. To see this, note that for each given  $\kappa \in [0, \infty)$  and  $\bar{\rho} \in [0, 1]$  such that  $\kappa \leq \Phi(\bar{\rho})$ , there exists  $\nu_*(\kappa, \bar{\rho}; d\rho) \in \mathcal{M}_1[0, 1]$  such that

$$\int_{[0,1]} \rho \nu_*(\kappa, \bar{\rho}; d\rho) = \bar{\rho}, \quad \int_{[0,1]} \Phi(\rho) \nu_*(\kappa, \bar{\rho}; d\rho) = \kappa.$$

For example, one can consider measures of the type

$$\pi(\rho_1, \rho_2, \bar{\rho}; d\rho) := \frac{\rho_2 - \bar{\rho}}{\rho_2 - \rho_1} \delta_{\rho_2}(\rho) + \frac{\bar{\rho} - \rho_1}{\rho_2 - \rho_1} \delta_{\rho_1}(\rho), \quad \rho_1 \leq \bar{\rho} \leq \rho_2 \in [0, 1].$$

Indeed,  $\int_{[0,1]} \rho \pi(\rho_1, \rho_2, \bar{\rho}; d\rho) = \bar{\rho}$ , and by varying  $\rho_1, \rho_2$  across  $\rho_1 \leq \bar{\rho} \leq \rho_2 \in [0, 1]$ ,  $\int_{[0,1]} \Phi(\rho) \pi(\rho_1, \rho_2, \bar{\rho}; d\rho)$  exhausts all values within  $[0, \Phi(\bar{\rho})]$ . Hence there exists  $\rho_1, \rho_2$  such  $\nu_*(\kappa, \bar{\rho}; d\rho) := \pi(\rho_1, \rho_2, \bar{\rho}; d\rho)$  satisfies the prescribed property.

We endow the space  $\mathcal{D}_d$  with uniform norm. For each  $\nu(t, \xi; d\rho) \in \mathbb{Y}$ , we view  $\frac{1}{T} \nu(t, \xi; d\rho) dt d\xi \in \mathcal{M}_1([0, T] \times \mathbb{T} \times [0, 1])$  as a probability measure, and endow  $\mathbb{Y}$  with the weak-\* topology, which is mobilizable on  $\mathcal{M}_1([0, T] \times \mathbb{T} \times [0, 1])$ . The space  $\mathcal{D}^m$  hence inherits a product metric from  $\mathcal{D}_d \times \mathbb{Y}$ . Under this setup, for  $(h, \nu) \in \mathcal{D}_d$ , we let  $\mathcal{U}_r(h, \nu) \in \mathcal{D}_d \times \mathbb{Y}$  denote the corresponding open ball centered at  $(h, \nu)$  with radius  $r$ . Recall the notation  $\bar{\eta}_k(x)$  from (A.1). Taking into account the  $t$  dependence and scaling, we set  $\bar{\eta}_{k,N}(t, \xi) := \bar{\eta}_k(Nt, N\xi)$ , which is defined for  $t \in [0, T]$  and  $\xi \in \frac{1}{N} \mathbb{T}_N$ , and linearly interpolate in  $\xi$  onto  $\mathbb{T}$  so that  $\bar{\eta}_{k,N} \in \mathbb{Y}$ .

**Proposition A.3.** Fix  $(h, \nu) \in \mathcal{D}^m$  that is not a measure-valued solution of Burgers equation, and fix  $\delta \in (0, 1)$ . Then

$$\limsup_{r \downarrow 0} \limsup_{k \rightarrow \infty} \limsup_{N \rightarrow \infty} N^{-2+\delta} \log \mathbf{P}_{\eta^{ic}} \left( (h_N, \bar{\eta}_{k,N}) \in \mathcal{U}_r(h, \nu) \right) = -\infty.$$

*Proof.* Fix  $(h, \nu) \in \mathcal{D}^m$  that is not a measure-valued solution of Burgers equation. Indeed, since  $h \in \mathcal{D}_d$ , we have  $\int_0^T \int_{\mathbb{T}} |h_t| dt d\xi = \int_{\mathbb{T}} (h(T, \xi) - h(0, \xi)) d\xi < \infty$ . In particular,  $h_t \in L^1([0, T] \times \mathbb{T})$ . Also, since  $\Phi(\rho) = \rho(1-\rho)$  is a bounded function on  $\rho \in [0, 1]$ ,  $\int_{[0,1]} \Phi(\rho) \nu(t, \xi; d\rho)$  is bounded. Granted the preceding properties, and that  $(h, \nu)$  is not a measure-valued solution of Burgers equation, there must exist  $\tilde{z}(t, \xi) \in C^1([0, T] \times \mathbb{T})$  such that

$$\int_0^T \int_{\mathbb{T}} \tilde{z}(t, \xi) \left( h_t(t, x) - \int_{[0,1]} \Phi(\rho) \nu(t, \xi; d\rho) \right) dt d\xi := a \in \mathbb{R} \setminus \{0\}.$$



Fix arbitrary  $\ell \in \mathbb{Z}_{>0}$ , and set  $z(t, \xi) := \frac{\ell}{a} \tilde{z}(t, \xi) \in C^1([0, T] \times \mathbb{T})$ , we then have

$$\int_0^T \int_{\mathbb{T}} z(t, \xi) \left( h_t(t, x) - \int_{[0,1]} \Phi(\rho) \nu(t, \xi; d\rho) \right) dt d\xi = \ell. \quad (\text{A.13})$$

Now, consider the exponential martingale:  $\mathcal{F} := \exp(\mathcal{F}(T))$ , where

$$\mathcal{F}(\bar{t}) := \sum_{x \in \frac{1}{N}\mathbb{T}_N} \left( N^{1-\delta} z(t, x) \mathbf{h}_N(t, x) \Big|_{t=0}^{t=\bar{t}} - N \int_0^{\bar{t}} \left( N^{-\delta} z_t(t, x) \mathbf{h}_N(t, x) + (e^{N^{-\delta} z(t, x)} - 1) \phi_N(t, x) \right) dt \right), \quad (\text{A.14})$$

where  $\phi_N(t, x) := \phi(\eta(Nt), Nx)$ . To extra useful information from this exponential martingale, we next derive a few approximations of terms within (A.14). For convenience of notation, hereafter we use  $C < \infty$  to denote generic universal constants, which may change from line to line but are in particular independent of  $r, \ell, N$  and  $t \in [0, T], \xi \in \mathbb{T}$ .

First, through Taylor-expansion we have  $(e^{N^{-\delta} z(t, x)} - 1) \phi_N(t, x) = N^{-\delta} z(t, x) \phi_N(t, x) + N^{-2\delta} r_1(t, x)$ , for some remainder term  $r_1$  such that  $|r_1(t, x)| \leq c \|z\|_{L^\infty}^2$ . Set

$$\Omega(k, N) := \left\{ \left| \int_0^T V_{N,k}(z, \eta(tN^2), t) dt \right| \leq N \right\},$$

we then have

$$\int_0^T \sum_{x \in \frac{1}{N}\mathbb{T}_N} (e^{N^{-\delta} z(t, x)} - 1) \phi_N(t, x) dt = \int_0^T \sum_{x \in \frac{1}{N}\mathbb{T}_N} z(t, x) \Phi(\bar{\eta}_{k,N}(t, x)) dt + r_2(t, x), \quad (\text{A.15})$$

for some remainder term  $r_2$  such that  $|r_2(t, x)| \leq N^{1-\delta} + c N^{1-2\delta} \|z\|_{L^\infty}^2$ . By definition, on  $(\mathbf{h}_N, \bar{\eta}_{k,N}) \in \mathcal{U}_r(h, \nu)$  we have

$$\sup_{[0, T] \times \mathbb{T}} |\mathbf{h}_N - h| < r, \quad (\text{A.16})$$

$$\left| \int_0^T \frac{1}{N} \sum_{x \in \frac{1}{N}\mathbb{T}_N} z(t, x) \Phi(\bar{\eta}_{k,N}(t, x)) - \int_0^T \int_{\mathbb{T}} z(t, \xi) dt d\xi \int_{[0,1]} \Phi(\rho) \nu(t, \xi; d\rho) \right| < r. \quad (\text{A.17})$$

Using (A.15)–(A.17) to approximate the corresponding terms gives

$$\mathcal{E} \mathbf{1}_{\mathcal{U}_r(h, \nu) \cap \Omega(k, N)} = \exp \left( N^{2-\delta} \int_{\mathbb{T}} \left( z(t, \xi) h(t, \xi) d\xi \Big|_{t=0}^{t=T} - \int_0^T \left( z_t(t, \xi) h(t, \xi) \right) dt \right) d\xi \right) \quad (\text{A.18})$$

$$- N^{2-\delta} \int_0^T \int_{\mathbb{T}} z(t, \xi) \int_{[0,1]} \Phi(\rho) \nu(t, \xi; d\rho) dt d\xi + r_3), \quad (\text{A.19})$$

for some remainder term  $r_3$  such that

$$|r_3(t, x)| \leq c r N^{2-\delta} (\|z\|_{L^\infty} + \|z_t\|_{L^\infty}) + N^{2-\delta} + c N^{2-2\delta} \|z\|_{L^\infty}^2.$$

Integrate by part in  $t$  in (A.18), and combine the result with (A.13). This gives

$$\mathcal{E} \mathbf{1}_{\mathcal{U}_r(h, \nu) \cap \Omega(k, N)} = \exp \left( - N^{2-\delta} \ell + r_3 \right).$$

Given that  $\mathbf{E}(\mathcal{E}) = 1$ , we now have

$$\begin{aligned} & N^{-2+\delta} \log \left( \mathbf{P}_{\eta^{\text{ic}}} \left( \{ (\mathbf{h}_N, \bar{\eta}_{k,N}) \in \mathcal{U}_r(h, \nu) \} \cap \Omega(k, N) \right) \right) \\ & \leq -\ell + c (r \|z\|_{L^\infty} + r \|z_t\|_{L^\infty} + N^{-\delta} \|z\|_{L^\infty}^2) + 1. \end{aligned} \quad (\text{A.20})$$

Lemma A.1 asserts that  $\limsup_{k \rightarrow \infty} \limsup_{N \rightarrow \infty} \mathbf{P}_{\eta^{\text{ic}}}(\Omega(k, N)) = -\infty$ . Using this, and letting  $N \rightarrow \infty, k \rightarrow \infty$ , and  $r \downarrow 0$  in (A.20) in order, we now have

$$\limsup_{r \downarrow 0} \limsup_{k \rightarrow \infty} \limsup_{N \rightarrow \infty} N^{-2+\delta} \log \left( \mathbf{P}_{\eta^{\text{ic}}} \left( (\mathbf{h}_N, \bar{\eta}_{k,N}) \in \mathcal{U}_r(h, \nu) \right) \right) \leq -\ell + 1.$$

With  $\ell \in \mathbb{Z}_{>0}$  being arbitrary, we conclude the desired result.  $\square$

## REFERENCES

- [BCG16] A. Borodin, I. Corwin, and V. Gorin. Stochastic six-vertex model. *Duke Math J*, 165(3):563–624, 2016.
- [BD06] T. Bodineau and B. Derrida. Current large deviations for asymmetric exclusion processes with open boundaries. *J Stat Phys*, 123(2):277–300, 2006.
- [BS10] M. Balázs and T. Seppäläinen. Order of current variance and diffusivity in the asymmetric simple exclusion process. *Annals of Mathematics*, pages 1237–1265, 2010.
- [CKP01] H. Cohn, R. Kenyon, and J. Propp. A variational principle for domino tilings. *J Amer Math Soc*, 14(2):297–346, 2001.
- [DL98] B. Derrida and Lebowitz. Exact large deviation function in the asymmetric exclusion process. *Phys Rev Lett*, 80(2):209–212, Jan 1998.
- [DLS03] B. Derrida, J. L. Lebowitz, and E. Speer. Exact large deviation functional of a stationary open driven diffusive system: the asymmetric exclusion process. *J Stat Phys*, 110(3-6):775–810, Jan 2003.
- [DZ99] J.-D. Deuschel and O. Zeitouni. On increasing subsequences of iid samples. *Comb Probab Comput*, 8(3):247–263, 1999.
- [EK09] S. N. Ethier and T. G. Kurtz. *Markov processes: characterization and convergence*, volume 282. John Wiley & Sons, 2009.
- [GKS10] N. Georgiou, R. Kumar, and T. Seppäläinen. TASEP with discontinuous jump rates. *Alea*, 7:293–318, 2010.
- [GS92] L.-H. Gwa and H. Spohn. Six-vertex model, roughened surfaces, and an asymmetric spin Hamiltonian. *Phys Rev Lett*, 68(6):725, 1992.
- [Jen00] L. Jensen. *The asymmetric exclusion process in one dimension*. PhD thesis, New York Univ., New York, 2000.
- [Joh00] K. Johansson. Shape fluctuations and random matrices. *Comm Math Phys*, 209(2):437–476, 2000.
- [KL13] C. Kipnis and C. Landim. *Scaling limits of interacting particle systems*, volume 320. Springer Science & Business Media, 2013.
- [KOV89] C. Kipnis, S. Olla, and S. Varadhan. Hydrodynamics and large deviation for simple exclusion processes. *Comm Pure Appl Math*, 42(2):115–137, 1989.
- [Lig05] T. M. Liggett. *Interacting Particle Systems*. Springer, 2005.
- [Lig13] T. M. Liggett. *Stochastic interacting systems: contact, voter and exclusion processes*, volume 324. Springer Science & Business Media, 2013.
- [Mar10] M. Mariani. Large deviations principles for stochastic scalar conservation laws. *Probab Theory Related Fields*, 147:607–648, Jan 2010.
- [Rez91] F. Rezakhanlou. Hydrodynamic limit for attractive particle systems on  $\mathbb{Z}^d$ . *Comm Math Phys*, 140(3):417–448, 1991.
- [Ros81] H. Rost. Non-equilibrium behaviour of a many particle process: Density profile and local equilibria. *Probab Theory Related Fields*, 58(1):41–53, 1981.
- [Rud87] W. Rudin. *Real and complex analysis*. Tata McGraw-Hill Education, 1987.
- [Sch97] G. M. Schütz. Exact solution of the master equation for the asymmetric exclusion process. *J Stat Phys*, 88(1):427–445, 1997.
- [Sep98a] T. Seppäläinen. Coupling the totally asymmetric simple exclusion process with a moving interface. *Markov Process Related Fields*, 4(4):593–628, 1998.
- [Sep98b] T. Seppäläinen. Large deviations for increasing sequences on the plane. *Probab Theory Related Fields*, 112(2):221–244, 1998.
- [Var04] S. Varadhan. Large deviations for the asymmetric simple exclusion process. In *Stochastic analysis on large scale interacting systems*, volume 39 of *Adv Stud Pure Math*, pages 1–27, Tokyo, 2004. Math Soc Japan.

STEFANO OLLA, CEREMADE, UMR CNRS 7534, UNIVERSITÉ PARIS–DAUPHINE, PSL RESEARCH UNIVERSITY,  
75016 PARIS, FRANCE  
Email address: [olla@ceremade.dauphine.fr](mailto:olla@ceremade.dauphine.fr)

LI-CHENG TSAI, DEPARTMENTS OF MATHEMATICS, COLUMBIA UNIVERSITY,  
2990 BROADWAY, NEW YORK, NY 10027  
Email address: [lctsai.math@gmail.com](mailto:lctsai.math@gmail.com)