



HAL
open science

Randomized and Robust Methods for Uncertain Systems using R-RoMulOC, with Applications to DEMETER Satellite Benchmark

Mohammadreza Chamanbaz, Fabrizio Dabbene, Roberto Tempo, Dimitri Peaucelle, Christelle Pittet

► **To cite this version:**

Mohammadreza Chamanbaz, Fabrizio Dabbene, Roberto Tempo, Dimitri Peaucelle, Christelle Pittet. Randomized and Robust Methods for Uncertain Systems using R-RoMulOC, with Applications to DEMETER Satellite Benchmark. Aerospace Lab, 2017, 13, p. 1-11. 10.12762/2017.AL13-04. hal-01570588v2

HAL Id: hal-01570588

<https://hal.science/hal-01570588v2>

Submitted on 17 Nov 2017

HAL is a multi-disciplinary open access archive for the deposit and dissemination of scientific research documents, whether they are published or not. The documents may come from teaching and research institutions in France or abroad, or from public or private research centers.

L'archive ouverte pluridisciplinaire **HAL**, est destinée au dépôt et à la diffusion de documents scientifiques de niveau recherche, publiés ou non, émanant des établissements d'enseignement et de recherche français ou étrangers, des laboratoires publics ou privés.

M. Chamanbaz

(Arak University of Technology,
Arak, Iran)

F. Dabbene, R. Tempo

(CNR-IEIT Politecnico di Torino,
Italy)

D. Peaucelle

(LAAS-CNRS, Université de
Toulouse, CNRS, Toulouse, France)

C. Pittet

(CNES, Toulouse, France)

E-mail: mrchamanbaz@gmail.com

DOI: 10.12762/2017.AL13-04

Randomized and Robust Methods for Uncertain Systems using R-RoMuIOC, with Applications to DEMETER Satellite Benchmark

R-RoMuIOC is a freely distributed toolbox aimed at making easily available to the users various optimization-based methods for dealing with uncertain systems. It implements both deterministic LMI-based results, which provide guaranteed performance for all values of the uncertainties, and probabilistic randomization-based approaches, which guarantee performance for all values of the uncertainties except for a subset with arbitrary small probability measure. The paper is devoted to the description of these two approaches for analysis and control design when applied to a satellite benchmark proposed by the CNES, the French Space Agency. The paper also describes the modeling of the DEMETER satellite and its integration into the R-RoMuIOC toolbox as a challenging test example. Design of state-feedback controllers and closed-loop performance analysis are carried out with the randomized and robust methods available in the R-RoMuIOC toolbox.

Introduction

The last decades have witnessed an increase of interest in the area of analysis and design of systems in the presence of uncertainty. This is due to the continuous development of novel and efficient theoretical and numerical tools for robustness (ability of the system to maintain stability and performance under large variations of the system parameters), see [18] for a recent overview.

In particular, two main paradigmatic approaches have gained popularity. On one side, the worst-case, or deterministic, paradigm is aimed at guaranteeing a desired level of performance *for all* system configurations. This approach has largely benefited from the introduction of the linear matrix inequality (LMI) formalism, which led to many important results, enabling a large variety of uncertainty models and performance requirements to be tackled. Recently, the corresponding numerical tools have been collected in a Matlab toolbox named Robust Multi Objective Control toolbox (RoMuIOC) [16]. The toolbox provides a variety of functions for describing and manipulating uncertain systems, and for building LMI optimization problems related to robust multiobjective control problems. We refer to [18] for an extensive review of deterministic and probabilistic methods in robust control design and analysis.

The deterministic approach can be seen as "pessimistic", in the sense that the guaranteed (and certified) performance is usually significantly worse than the actual worst case performance, due to unavoidable conservatism of the developed methodologies. This fact motivated the introduction of a probabilistic approach [23, 4], which consists in testing a finite number of configurations among the infinitely many admissible ones. This approach is said to be "optimistic", in the sense that even if a level of performance is valid for all tested cases, it may not hold for some of the unseen instances. However, rigorous theoretical results, based on large-deviation inequalities, have been derived to bound the probability of performance violation. This theory has now reached a good level of maturity, and the main algorithms have been coded in the Randomized Algorithm Control Toolbox (RACT) [24], which can be freely downloaded from <http://ract.sourceforge.net/pmwiki/pmwiki.php/>. This toolbox allows the user to define and manipulate various types of probabilistic uncertainties, providing efficient sampling algorithms for the various uncertainty types commonly encountered in robust control. Furthermore, it includes sequential and batch randomized algorithms for control system design.

It is important to remark that these two paradigms are not in competition, but rather they represent complementary approaches that provide additional tools to the systems engineer for the design of control systems under uncertainty. Inspired by these considerations, a joint effort between the two teams at the core of RoMulOC and RACT has been recently carried out, with the aim of merging the features of the two toolboxes in an integrated framework. This led to the development of R-RoMulOC. The main feature of this toolbox is to allow the user to input the system's description only once, using the well tested formalism of RoMulOC. Then, both deterministic and probabilistic methods can be applied to the same system, efficiently moving from a deterministic to a probabilistic description of the uncertainty, by simply changing some parameters in the code.

Like the two tools from which it originates, R-RoMulOC is freely distributed, and can be downloaded from <http://projects.laas.fr/OLO-CEP/rromuloc/>. We refer the interested reader to this webpage for a detailed list of references to the various worst-case and probabilistic methods coded in R-RoMulOC. For a description of the R-RoMulOC toolbox, the reader is referred to [5].

In this paper, the effectiveness of the toolbox is shown by introducing the modeling of the DEMETER satellite [19] in the R-RoMulOC toolbox. Then, we show how the design of state-feedback controllers and the analysis of closed-loop performance can be performed with the randomized and robust methods available in the R-RoMulOC toolbox.

Notation

I_n stands for the identity matrix of dimension n . A^T is the transpose of A . $\{A\}^S$ represents the symmetric matrix $\{A\}^S = A + A^T$. $Tr(A)$ is the trace of A . $A \succ (\succeq) B$ means $A - B$ is positive (semi-)definite. $diag[\dots F_i \dots]$ is a block-diagonal matrix whose diagonal blocks are F_i . The symbol \otimes refers to the Kronecker product. Given vectors $v, w \in \mathbb{R}^3$, the matrix $v^\times \in \mathbb{R}^{3 \times 3}$ is a skew-symmetric matrix defined in such a way that $v \times w = v^\times w$; i.e.,

$$v^\times = \begin{bmatrix} 0 & -v_z & v_y \\ v_z & 0 & -v_x \\ -v_y & v_x & 0 \end{bmatrix}$$

for $v = [v_x \ v_y \ v_z]^T$. The three-dimensional sphere \mathbb{S}^3 is parameterized by quaternions $q \in \mathbb{R}^4$ satisfying the constraint $|q| = 1$. Finally, the star-product describes Linear-Fractional Transformations (LFT)

$$M_a + M_b \Delta (I - M_d \Delta)^{-1} M_c = \Delta \star \begin{bmatrix} M_d & M_c \\ M_b & M_a \end{bmatrix}.$$

DEMETER benchmark

DEMETER is a satellite of the CNES Myriade series. Launched in 2004, it observed electric and magnetic signals in Earth's ionosphere for more than 6 years. Its characteristic is to be composed of a central body and four long and flexible appendices – as shown in Figure 1 – oriented in different directions and fixed to the rigid-body at different positions distinct from the center of gravity. The model of this satellite has been provided as a benchmark in [19]. This model with uncertainties is revisited in the following. A specific function incorporated in R-RoMulOC allows variants of the complete benchmark to be generated. The variants are such that the user can generate models of various sizes, both in terms of order of the plant and in terms of the number of uncertainties involved.

Nonlinear model without flexible modes

Assuming full actuation for attitude control $u \in \mathbb{R}^3$ and modeling in the body-fixed frame, the nonlinear dynamics of the satellite are

$$J\dot{\omega} + \omega^\times J\omega = u \quad , \quad \dot{q} = \frac{1}{2} \begin{bmatrix} -\omega^\times & \omega \\ -\omega^T & 0 \end{bmatrix} q, \quad (1)$$

where $\omega \in \mathbb{R}^3$ is the rotational velocity of the satellite body-fixed frame with respect to the inertial frame, $J \in \mathbb{R}^{3 \times 3}$ is the symmetric positive definite matrix corresponding to its moment of inertia and $q \in \mathbb{S}^3$ are the quaternion coordinates. A classical control problem related to this nonlinear model is to build an ideal state-feedback control law $u^*(\omega, q)$ guaranteeing global stability. A more involved problem is to take into account in the design phase implementation issues such as saturation of reaction wheels, sensor delays and failures, the periodic sub-actuated character of magneto-torquers, etc. The model complexity depends on the considered actuators. For example, considering reaction wheel control, the model becomes

$$J\dot{\omega} + \omega^\times (J\omega + h) = -T + T_{ext} \quad , \quad \dot{h} = T \quad , \quad \dot{q} = \frac{1}{2} \begin{bmatrix} -\omega^\times & \omega \\ -\omega^T & 0 \end{bmatrix} q, \quad (2)$$

where $h \in \mathbb{R}^3$ is the vector of the angular momenta of the wheels, T is the vector of the torques applied to the wheels, and T_{ext} represents the external disturbances that the controller should reject.

Linear model with flexible modes

Let $\theta \in \mathbb{R}^3$ be the three-axis angular deviation of the satellite from some reference constant orientation. The linearized model of (1) is

$$J\ddot{\theta} = u, \quad (3)$$

which is a three-dimensional double integrator. We remark that, so far, we assumed that the satellite is composed only of a rigid body. Unfortunately, this is not the case because of solar panels and other scientific equipment onboard. At small pointing errors (the attitude control is required to have less than 0.1 degree precision), the flexibility of



Figure 1 – DEMETER satellite. ©CNES November 2003, ill. D. Ducros

appendices is not negligible and needs to be considered in the model. The linearized model including flexible modes is [19]

$$\begin{bmatrix} J & J^{1/2}L \\ L^T J^{1/2} & I \end{bmatrix} \begin{pmatrix} \ddot{\theta} \\ \ddot{\eta} \end{pmatrix} + \begin{bmatrix} 0 & 0 \\ 2Z\Omega & \Omega^2 \end{bmatrix} \begin{pmatrix} \dot{\eta} \\ \eta \end{pmatrix} = \begin{bmatrix} I \\ 0 \end{bmatrix} u, \quad (4)$$

where $\eta \in \mathbb{R}^{2n_f}$ is the vector of angular deviations in torsion and bending of the flexible appendices (up to $n_f = 4$ in the DEMETER model), L is a matrix modeling the cross influence of flexible modes on the rigid body, which depends on how the appendices are attached to the rigid body, $Z = \text{diag}[\dots \zeta_i I_2 \dots]$ is a diagonal matrix of all flexible mode damping factors and $\Omega = \text{diag}[\dots \omega_i I_2 \dots]$ is a diagonal matrix of all flexible mode natural frequencies (the low damped oscillatory flexible dynamics are such that $\ddot{\eta}_i + 2\zeta_i \omega_i \dot{\eta}_i + \omega_i^2 \eta_i = -L_i^T J^{1/2} \ddot{\theta}$). The same parameters apply for the bending and torsion effects and, in most cases, one can assume that the appendices are identical ($\zeta_i = \zeta \forall i = 1, \dots, n_f$ and $\omega_i = \omega \forall i = 1, \dots, n_f$). In (4), the force $L^T J^{1/2} \ddot{\theta}$ that acts on the flexible modes comes from the derivative of the angular momentum of the rigid body, and its symmetric feedback reaction on the rigid body is $J^{1/2} L \ddot{\eta}$. An analysis in the frequency domain shows that only the first flexible modes of the appendices have significant influence on the system dynamics, while all other flexible modes, including those of the solar panels, can be neglected.

Parametric uncertainties

In (4) the matrix L , which is only due to positioning of the appendices, is assumed to be perfectly known. All other parameters, *i.e.*, J , ζ_i and ω_i , cannot be precisely measured on the Earth due to gravity, and hence are considered to be uncertain. The damping ratio and natural frequencies ζ_i, ω_i describe the first flexible modes of the four appendices. These appendices are of same length and same material, and hence their flexible modes are almost identical. However, there are discrepancies from one appendix to another, which are not known. The damping ratio and natural frequencies are assumed to be bounded in the intervals

$$\omega_i \in [0.2 \cdot 2\pi, 0.6 \cdot 2\pi], \zeta_i \in [5 \cdot 10^{-4}, 5 \cdot 10^{-3}] \quad \forall i = 1, \dots, 4.$$

The inertia J has the following nominal value on the ground

$$J_o = \begin{bmatrix} J_{o11} & J_{o12} & J_{o13} \\ J_{o12} & J_{o22} & J_{o23} \\ J_{o13} & J_{o23} & J_{o33} \end{bmatrix} = \begin{bmatrix} 31.38 & -1.11 & -0.26 \\ -1.11 & 21.19 & -0.78 \\ -0.26 & -0.78 & 35.70 \end{bmatrix}.$$

Uncertainties in J are assumed to be at most of 30% for the diagonal entries and ± 3 for the off-diagonal entries. That is, for example, $J_{11} \in [0.7J_{o11}, 1.3J_{o11}] = [21.97, 40.80]$ and $J_{12} \in [J_{o12} - 3, J_{o12} + 3] = [-4.11, 1.89]$.

LFT modeling of uncertain matrices

We first derive the LFT model of the $[2Z\Omega \quad \Omega^2]$ matrix. Note that the uncertain matrices Ω and Z are defined as a nominal matrix with normalized discrepancies around the nominal value. Hence, one can write Ω as

$$\Omega = \omega_a I + \omega_b \delta_\Omega = \delta_\Omega \star \begin{bmatrix} 0 & I \\ \omega_b I & \omega_a I \end{bmatrix}$$

$$\delta_\Omega = \text{diag}[\delta_{\omega_1} I_2 \quad \delta_{\omega_2} I_2 \quad \delta_{\omega_3} I_2 \quad \delta_{\omega_4} I_2],$$

where $\omega_a = \frac{1}{2}(0.6 \cdot 2\pi + 0.2 \cdot 2\pi) = 0.4 \cdot 2\pi$ is the mean between the two extreme values, $\omega_b = \frac{1}{2}(0.6 \cdot 2\pi - 0.2 \cdot 2\pi) = 0.2 \cdot 2\pi$ is the maximal deviation and $|\delta_{\omega_i}| \leq 1, i = 1, \dots, 4$ are norm bounded uncertainties. The uncertain matrix Z can be derived in a similar way

$$Z = \zeta_a I + \zeta_b \delta_Z = \delta_Z \star \begin{bmatrix} 0 & I \\ \zeta_b I & \zeta_a I \end{bmatrix}$$

$$\delta_Z = \text{diag}[\delta_{\zeta_1} I_2 \quad \delta_{\zeta_2} I_2 \quad \delta_{\zeta_3} I_2 \quad \delta_{\zeta_4} I_2],$$

with $\zeta_a = \frac{1}{2}(5 \cdot 10^{-3} + 5 \cdot 10^{-4}) = 2.75 \cdot 10^{-3}$ being the mean between the two extreme values, $\zeta_b = \frac{1}{2}(5 \cdot 10^{-3} - 5 \cdot 10^{-4}) = 2.25 \cdot 10^{-3}$ being the maximal deviation and $|\delta_{\zeta_i}| \leq 1, i = 1, \dots, 4$ being the norm bounded uncertainties. Using properties of the star-product we have

$$[2Z \quad \Omega] = \begin{bmatrix} \delta_Z & 0 \\ 0 & \delta_\Omega \end{bmatrix} \star \begin{bmatrix} 0 & 0 & I & 0 \\ 0 & 0 & 0 & I \\ \hline 2\zeta_b I & \omega_b I & 2\zeta_a I & \omega_a I \end{bmatrix},$$

and

$$[2Z\Omega \quad \Omega^2] = \Omega [2Z \quad \Omega]$$

$$= \begin{bmatrix} \delta_\Omega & 0 & 0 \\ 0 & \delta_Z & 0 \\ 0 & 0 & \delta_\Omega \end{bmatrix} \star \begin{bmatrix} 0 & 2\zeta_b I & \omega_b I & 2\zeta_a I & \omega_a I \\ 0 & 0 & 0 & I & 0 \\ 0 & 0 & 0 & 0 & I \\ \hline \omega_b I & 2\omega_a \zeta_b I & \omega_a \omega_b I & 2\omega_a \zeta_a I & \omega_a^2 I \end{bmatrix}.$$

We remark that the LFT defined in this way is minimal. An alternative is to build separately the LFTs for $2Z\Omega$ and Ω^2 matrices and then to concatenate the two. This alternative gives an LFT with δ_Ω repeated 3 times, which is clearly non-minimal.

We next focus on the LFT modeling of the matrix depending on the uncertain matrix J . The difficulty can be observed arising from modeling the square-root of J . In [19], it is implicitly assumed that off-diagonal terms in $J^{1/2}$ are sufficiently small to be neglected in the computation of $J^{1/2}$. That is, defining

$$J = J_1 + J_1^T + J_2 : J_1 = \begin{bmatrix} 0 & J_{12} & J_{13} \\ 0 & 0 & J_{23} \\ 0 & 0 & 0 \end{bmatrix},$$

$$J_2 = \text{diag}[J_{11} \quad J_{22} \quad J_{33}],$$

it is assumed that $J^{1/2} \simeq J_2^{1/2}$. Then, in order to further simplify the model, the paper [19] makes the second assumption that the square root can be replaced by a first order approximation $(J_{2a} + J_{2b} \delta_{J_2})^{1/2} \simeq J_{2a}^{1/2} + \frac{1}{2} J_{2b} \delta_{J_2}$. The relative error of this last approximation is less than 2%, which is indeed reasonable. Based on this approximation, the minimal LFT model is such that δ_{J_2} is repeated twice. As we will show next, there is no reason for performing the first order approximation, and this can be avoided without increasing the size of the LFT.

Two ways for improving the square root LFT modeling are explored next. The first still assumes that $J^{1/2} \simeq J_2^{1/2}$ but avoids the first-order approximation of the square root. To this end, we define the following LFT model of the square root of inertia diagonal components

$$J_2^{1/2} = \hat{J}_{2a} + \hat{J}_{2b} \delta_{J_2} = \delta_{J_2} \star \begin{bmatrix} 0 & I \\ \hat{J}_{2b} & \hat{J}_{2a} \end{bmatrix},$$

where $\hat{J}_{2a} = \frac{1}{2}((1.3J_{2a})^{1/2} + (0.7J_{2a})^{1/2})$ is the mean between the two extreme values, $\hat{J}_{2b} = \frac{1}{2}((1.3J_{2a})^{1/2} - (0.7J_{2a})^{1/2})$ is the maximal deviation, $\delta_{j_2} = \text{diag}[\delta_{j_{11}} \ \delta_{j_{22}} \ \delta_{j_{33}}]$ and $|\delta_{j_{ii}}| \leq 1$ are the norm bounded uncertainties. Using properties of the star-product, one obtains

$$\begin{aligned} \begin{bmatrix} J_2 & J_2^{1/2}L \\ L^T J_2^{1/2} & L^T L \end{bmatrix} &= \begin{bmatrix} J_2^{1/2} \\ L^T \end{bmatrix} \star \begin{bmatrix} J_2^{1/2} & L \end{bmatrix} \\ &= \begin{bmatrix} \delta_{j_2} & 0 \\ 0 & \delta_{j_2} \end{bmatrix} \star \begin{bmatrix} 0 & \hat{J}_{2b}^2 & \hat{J}_{2b}\hat{J}_{2a} & \hat{J}_{2b}L \\ 0 & 0 & I & 0 \\ I & \hat{J}_{2a}\hat{J}_{2b} & \hat{J}_{2a}^2 & \hat{J}_{2a}L \\ 0 & L^T \hat{J}_{2b} & L^T \hat{J}_{2a} & L^T L \end{bmatrix}. \end{aligned}$$

Notice that – as in [19] – the uncertainties δ_{j_2} are repeated only twice; hence, the LFT size is not increased by precise modeling of the square root.

Next, consider the cross inertia dependent matrix

$$J_1 = \hat{J}_{1a} + \hat{J}_{1b}\delta_{j_1}\hat{J}_{1c} = \delta_{j_1} \star \begin{bmatrix} 0 & J_{1c} \\ J_{1b} & J_{1a} \end{bmatrix},$$

$$J_{1a} = \begin{bmatrix} 0 & J_{o12} & J_{o13} \\ 0 & 0 & J_{o23} \\ 0 & 0 & 0 \end{bmatrix} \quad J_{1b} = \begin{bmatrix} 3 & 3 & 0 \\ 0 & 0 & 3 \\ 0 & 0 & 0 \end{bmatrix} \quad J_{1c} = \begin{bmatrix} 0 & 1 & 0 \\ 0 & 0 & 1 \\ 0 & 0 & 1 \end{bmatrix},$$

$$\delta_{j_1} = \text{diag}[\delta_{j_{12}} \ \delta_{j_{13}} \ \delta_{j_{23}}] : |\delta_{j_{ij}}| \leq 1.$$

Using properties of the star-product we finally arrive at

$$\begin{aligned} \begin{bmatrix} J_1 + J_1^T + J_2 & J_2^{1/2}L \\ LJ_2^{1/2} & I \end{bmatrix} \\ = \text{diag} \begin{bmatrix} \delta_{j_1} \\ \delta_{j_1} \\ \delta_{j_2} \\ \delta_{j_2} \end{bmatrix} \star \begin{bmatrix} 0 & 0 & 0 & 0 & J_{1c} & 0 \\ 0 & 0 & 0 & 0 & J_{1b}^T & 0 \\ 0 & 0 & 0 & \hat{J}_{2b}^2 & \hat{J}_{2b}\hat{J}_{2a} & \hat{J}_{2b}L \\ 0 & 0 & 0 & 0 & I & 0 \\ J_{1b} & J_{1c}^T & I & \hat{J}_{2a}\hat{J}_{2b} & J_{1a} + J_{1a}^T + \hat{J}_{2a}^2 & \hat{J}_{2a}L \\ 0 & 0 & 0 & L^T \hat{J}_{2b} & L^T \hat{J}_{2a} & I \end{bmatrix}. \end{aligned}$$

The second approach for improving the LFT modeling of the square-root $J^{1/2}$ first requires the relevance of modeling the coefficients of J in intervals to be questioned. The matrix J is symmetric positive definite, which can be defined as $J = (J_o^{1/2} + \Delta_j)^2$ with an uncertain symmetric matrix Δ_j constrained by a convex quadratic constraint

$$X + Y\Delta_j + \Delta_j Y + \Delta_j Z\Delta_j \preceq 0, \quad Z \succeq I,$$

where all X, Y and Z matrices are chosen as symmetric, to match the symmetric nature of Δ_j . The set is also written as

$$(\Delta_j - \Delta_o)Z(\Delta_j - \Delta_o) \preceq \Delta_o Z\Delta_o - X,$$

where $\Delta_o = -YZ^{-1}$ is the center of the set. Recall that $J = (J_o^{1/2} + \Delta_j)^2$ is (as formulated in [19]) a matrix whose 6 independent coefficients

are in intervals. The matrix J can therefore be defined as the convex linear combination of 2^6 vertices – denoted as $J^{[v]}$, $v = 1, \dots, 2^6$ – and constructed taking all of the extreme combinations of the interval uncertainties. A natural way of defining X, Y, Z matrices is to impose on the set the requirement of containing the convex combination of the square-roots of extremal values, that is, the matrices $\Delta_j^{[v]} = J^{[v]1/2} - J_o^{1/2}$

$$(\Delta_j^{[v]} - \Delta_o)Z(\Delta_j^{[v]} - \Delta_o) \preceq \Delta_o Z\Delta_o - X \quad \forall v = 1, \dots, 2^6. \quad (5)$$

A natural choice for the center of the set is to take the mean value of all vertices

$$\Delta_o = \frac{1}{2^6} \sum_{v=1}^{2^6} \Delta_j^{[v]}. \quad (6)$$

Of course, one aims at defining the smallest set containing the matrices $\Delta_j^{[v]}$. It is rather easy to see that the size of the set is highly dependent on the matrix $\Delta_o Z\Delta_o - X$. The smaller it is, the smaller the set of Δ_j matrices will be. It is suggested to minimize this matrix with respect to its Frobenius norm, which amounts to taking

$$(X^*, Z^*) = \arg \min_{Z \succeq I, (5)} \text{Tr}(\Delta_o Z\Delta_o - X),$$

and $Y^* = -\Delta_o Z^{*-1}$. Having performed this LMI optimization, the inertia of the satellite is now defined as

$$J = (J_o^{1/2} + \Delta_j)^2, \quad \Delta_j \in \left\{ \Delta = \Delta^T : \begin{bmatrix} I & \Delta \\ Y^* & Z^* \end{bmatrix} \begin{bmatrix} X^* & Y^* \\ Y^* & Z^* \end{bmatrix} \begin{bmatrix} I \\ \Delta \end{bmatrix} \preceq 0 \right\}.$$

LFT modeling with respect to this newly defined uncertainty is rather simple, following the same lines as the first method, and gives

$$\begin{bmatrix} J & J^{1/2}L \\ L^T J^{1/2} & I \end{bmatrix} = \begin{bmatrix} \Delta_j & 0 \\ 0 & \Delta_j \end{bmatrix} \star \begin{bmatrix} 0 & I & J_o^{1/2} & L \\ 0 & 0 & I & 0 \\ I & J_o^{1/2} & J_o & J_o^{1/2}L \\ 0 & L^T & L^T J_o^{1/2} & I \end{bmatrix}.$$

The LFT built in this way has two remarkable features: *i)* to the best of our knowledge, it is the first time that the modeling involves an uncertain matrix that is constrained to be symmetric, *ii)* this matrix is

repeated twice $\begin{bmatrix} \Delta_j & 0 \\ 0 & \Delta_j \end{bmatrix} = \Delta_j \otimes I_2$. To build LMI type results for

such uncertainties one needs to build some *DG*-scaling like result [11]. That is, to characterize, via linear matrix equalities and inequalities, the matrices Θ_j that satisfy

$$\begin{aligned} \begin{bmatrix} I & \Delta_j \otimes I_2 \end{bmatrix} \Theta_j \begin{bmatrix} I \\ \Delta_j \otimes I_2 \end{bmatrix} \preceq 0 \\ \forall \Delta_j \in \left\{ \Delta = \Delta^T : \begin{bmatrix} I & \Delta \\ Y^* & Z^* \end{bmatrix} \begin{bmatrix} X^* & Y^* \\ Y^* & Z^* \end{bmatrix} \begin{bmatrix} I \\ \Delta \end{bmatrix} \preceq 0 \right\}. \end{aligned}$$

A choice of such matrices *DG* is a natural generalization of the well-known *DG*-scalings that work for scalar repeated uncertainties

$$\Theta_j = \begin{bmatrix} X^* \otimes D & Y^* \otimes D + I \otimes G \\ Y^* \otimes D - I \otimes G & Z^* \otimes D \end{bmatrix}; \quad \begin{aligned} D &= D^T \succ 0 \in \mathbb{R}^{2 \times 2} \\ G &= -G^T \in \mathbb{R}^{2 \times 2}. \end{aligned}$$

The proof of this fact is trivial: in the formula below, the G dependent terms cancel one another thanks to the fact that Δ is symmetric and remains only

$$[I \quad \Delta \otimes I_2] \Theta \begin{bmatrix} I \\ \Delta \otimes I_2 \end{bmatrix} = D \otimes \left([I \quad \Delta] \begin{bmatrix} X^* & Y^* \\ Y^* & Z^* \end{bmatrix} \begin{bmatrix} I \\ \Delta \end{bmatrix} \right),$$

which is negative semi-definite because it is the result of a Kronecker product of a positive definite matrix and a negative semi-definite matrix.

LFT modeling of the uncertain system

Based on the described modeling of uncertain matrices discussed in the previous section and with some rather trivial additional manipulations – independent from the choice of model for the inertia J – the system dynamics can be converted to the following descriptor state-space form

$$\left(\Delta_E \star \begin{bmatrix} E_d & E_c \\ E_b & E_a \end{bmatrix} \right) \dot{X} = \left(\Delta_A \star \begin{bmatrix} A_d & A_c \\ A_b & A_a \end{bmatrix} \right) X + Bu, \quad (7)$$

where $X = (\dot{\theta}^T \quad \dot{\eta}^T \quad \theta^T \quad \eta^T)^T$ is the state of the satellite including its flexible modes; $\Delta_A = \text{diag}[\delta_\Omega \quad \delta_Z \quad \delta_\Omega]$; $\Delta_E = \text{diag}[\delta_{j_1} \quad \delta_{j_1} \quad \delta_{j_2} \quad \delta_{j_2}]$ or $\Delta_E = \Delta_j I \otimes 2$ depending on the choice of model for the inertia; E and A matrices are built accordingly. Taking the inverse of the left-hand side of (7) this formula allows a usual state-space model to be built,

$$\dot{X} = \left(\text{diag} \begin{bmatrix} \Delta_E \\ \Delta_A \end{bmatrix} \star \begin{bmatrix} E_d - E_c E_a^{-1} E_b & -E_c E_a^{-1} A_b & -E_c E_a^{-1} A_a & -E_c E_a^{-1} B \\ 0 & A_d & A_c & 0 \\ E_a^{-1} E_b & E_a^{-1} A_b & E_a^{-1} A_a & E_a^{-1} B \end{bmatrix} \right) \begin{pmatrix} X \\ u \end{pmatrix},$$

which is the same as the following linear system

$$\begin{cases} \dot{X} = E_a^{-1} A_a X + [E_a^{-1} E_b & E_a^{-1} A_b] w_\Delta + E_a^{-1} B u \\ z_\Delta = \begin{bmatrix} -E_c E_a^{-1} A_a \\ A_c \end{bmatrix} X + \begin{bmatrix} E_d - E_c E_a^{-1} E_b & -E_c E_a^{-1} A_b \\ 0 & A_d \end{bmatrix} w_\Delta + \begin{bmatrix} -E_c E_a^{-1} B \\ 0 \end{bmatrix} u, \end{cases}$$

in a feedback loop with the uncertainty $w_\Delta = \text{diag} \begin{bmatrix} \Delta_E \\ \Delta_A \end{bmatrix} z_\Delta$. Such a

system with feedback uncertainties can be easily defined in the R-RoMulOC toolbox. A dedicated function has been developed that yields this model. The output is of the following type

$$\begin{cases} \dot{X} = AX + B_\Delta w_\Delta + B_u u \\ z_\Delta = C_\Delta X + D_{\Delta\Delta} w_\Delta + D_{\Delta u} u & w_\Delta = \Delta z_\Delta \\ y = C_y X + D_{y\Delta} w_\Delta + D_{y u} u \end{cases}$$

Reduced size variations of the uncertain model

In order to test methods with respect to the dimensions of the problem to be solved (both in terms of order of the systems and in terms of size of the uncertainty block) several variants have been coded. The variations are threefold:

- Select only one or two of the three axes. This of course reduces the number of states describing the satellite attitude. Moreover, in the case when only one axis is considered, the torsion and bending effects of the flexible modes can be combined. It produces models with twice less flexible mode states and twice smaller matrices Δ_A .

- Select only some of the appendices. One can (virtually of course) remove any of the appendices. It produces models with reduced number of flexible modes and smaller matrices Δ_A .
- Impose that all appendices have the same frequency and damping characteristics, $\omega_i = \omega$ and $\zeta_i = \zeta$. In such case, the number of flexible modes can be reduced to only three modes (one per axis) that are the projections of all bending and torsion modes on the attitude axes.

The simplest and rather realistic models amount to assuming (a) zero cross influence between satellite axes and (c) that all appendices have exactly identical characteristics. Such assumptions reduce the study to three fourth-order models, one per angular axis. Each of these models ($i = 1, 2, 3$) are described by two scalar equations

$$\begin{cases} J_{ii} \ddot{\theta}_i + \sqrt{J_{ii} l_i} \dot{\eta}_i = u_i \\ \sqrt{J_{ii} l_i} \ddot{\theta}_i + \dot{\eta}_i + 2\zeta \omega \dot{\eta}_i + \omega^2 \eta_i = 0 \end{cases}, \quad (8)$$

and illustrated in Figure 2 (where $\alpha = \sqrt{J_{ii} l_i}$). Corresponding LFT models have a 5×5 uncertain matrix where scalar uncertainties on J_{ii} appear twice, scalar uncertainties on ω appear twice and scalar uncertainties on ζ appear once.

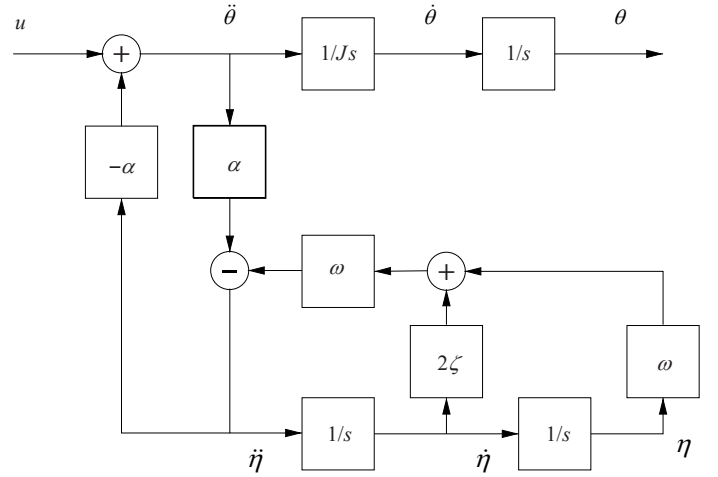


Figure 2 – Block diagram of a one axis model with one flexible mode

State-feedback design model

The control design problem is to build a control that ensures the following performances:

- As small as possible pointing error. To this end, the control should contain an integrator to improve the low frequency disturbing torque rejection.
- Avoid saturation of the reaction wheel actuators. These actuators have the following nonlinear model

$$u = sH(s) \text{sat}_w \left(\frac{1}{s} \text{sat}_T(u_c) \right),$$

where u_c stands for the torque control input computed by the controller and u is the actual torque applied by the reaction wheel. sat_T is a saturation on the torque to be applied, which is of 5×10^{-3} Nm. It is, in general, not critical and can be neglected. The term $\frac{1}{s}$ is an integrator that yields the reaction wheel angular momentum. This angular

momentum is saturated (sat_w), with a saturation level of 0.12 Nms. This saturation is critical: when it occurs, the system is no longer actuated and is open-loop unstable. Finally, $sH(s)$ is a transfer function describing the dynamics of the reaction wheel.

- Other specifications, such as noise rejection, robustness to time-delays in the control, etc., as discussed in [19].

In order to take into account the two specifications (i) and (ii), we add to the model an integrator of the output and a pseudo integrator $I(s) = \frac{1}{s+0.001}$ of the input. We remark that an integrator in the input – instead of a pseudo integrator – would result in instability since the states of the integrator are not controllable in the formulation. These are represented with dotted lines in Figure 3. The dotted lines indicate that these blocks are added by the designer, and are hence part of the control law.

For that augmented model we seek a robust state-feedback control, as illustrated in Figure 3. The dotted lines represent the state-feedback with eight gains. k_p, k_I, k_D are the feedback gains with respect to the angular error θ , its integral, and its derivative, respectively. k_{pf} and k_{Df} are the gains on the angular position of the flexible mode η and on its derivative, respectively. k_w is the gain on the state of the pseudo-integrator that models the reaction wheel speed. $K_H \in \mathbb{R}^{1 \times 2}$ is the gain on the states of the reaction wheels. The aim of the control is to minimize the peak of z_2 (the reaction wheel speed), especially when the satellite starts from a large non-zero angle and angular rate initial conditions that are represented as input signals w_2 . We assume a maximal ± 0.08 deg/s angular rate initial deviation and ± 15 deg angular initial deviation. Simultaneously, the control should minimize the effect of unknown input perturbations on the system precision; that is to minimize the transfer for w_1 to z_1 .

The design of such a state-feedback controller is possible using the R-RoMulOC toolbox [5, 16]. In particular, a function named

`demeterPerformance` is developed to generate models required for controller design. The following lines of codes define three models being:

- The augmented model with integrator on the output, reaction wheel model and pseudo-integrator of the input.
- Model with w_1 / z_1 performance input output.
- Model with w_2 / z_2 performance input output.

```
usysIW=demeterPerformance(ConsideredAxis,ConsideredAppendices,... model_type,uncertainty_type, rwheels,0);
```

```
usysIW1=demeterPerformance(ConsideredAxis,ConsideredAppendices,... model_type,uncertainty_type, rwheels,1);
```

```
usysIW2=demeterPerformance(ConsideredAxis,ConsideredAppendices,... model_type,uncertainty_type, rwheels,2);
```

Next, we briefly explain various arguments of the `demeterPerformance` function.

The parameters `ConsideredAxis` and `ConsideredAppendices` define the number of axes and appendices used in the model respectively. If `model_type=2`, all flexible modes have the same frequency and damping characteristic with the same uncertain parameters but, if `model_type=1`, uncertain parameters are allowed to be independent for different appendices. If `uncertainty_type=1`, all uncertainties are norm-bounded scalars; if `uncertainty_type=2`, all uncertainties are scalars in intervals; and if `uncertainty_type=3`, uncertainties on inertia are norm-bounded deterministic; others are uniformly distributed in intervals. If `rwheels=1`, the reaction wheels are included in the model and if `rwheels=0`, the model does not include reaction wheel dynamics.

Let N_a be the number of considered axes and N_f be the number of appendices. The satellite dynamics involve $2 * N_a + 4 * N_f$ states, to

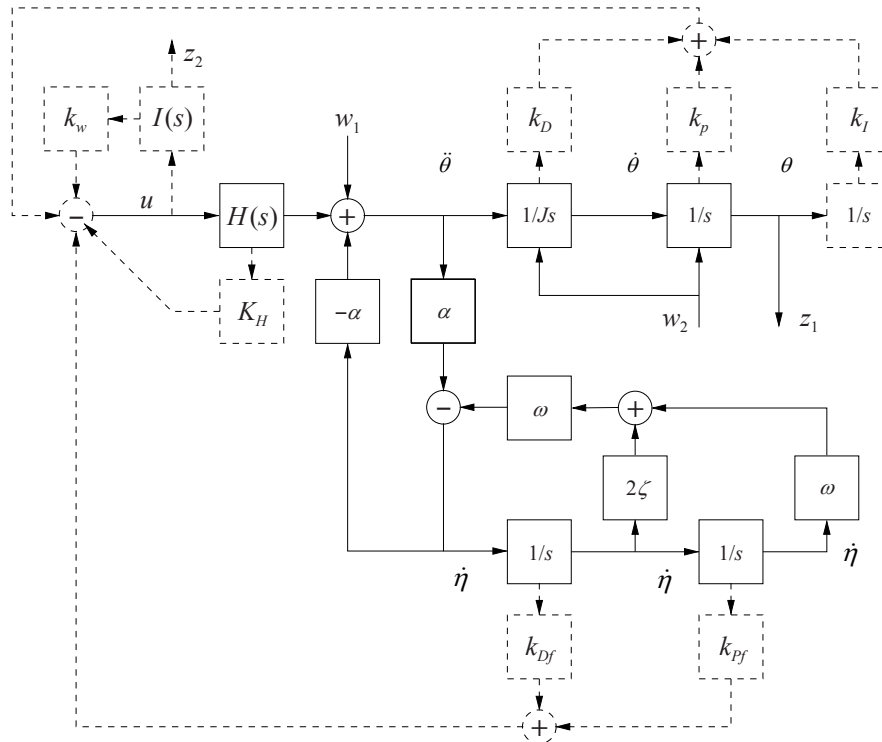


Figure 3 – Block diagram of a state-feedback design model.

which one adds actuator models and N_a integrators of the control law. If `model_type=1` (all appendices have different characteristics) the satellite dynamics involve $N_a(N_a+1)/2+2*N_f$ scalar uncertainties. If `model_type=2` (all appendices have identical characteristics) the satellite dynamics involve $N_a(N_a+1)/2+2$ scalar uncertainties. A special case is when $N_a=1$ and all appendices are considered identical. In such a case, the satellite dynamics involve only 4 states and 3 uncertainties, see (8).

In R-RoMulOC there are two approaches to design the robust state feedback controller. The first approach is based on deterministic multiobjective methods, in which the performance specifications are enforced to hold for the entire set of uncertainties. The second paradigm is probabilistic and randomized methods, in which the design specifications (including stability) are enforced to hold up to a probability level. In the next two subsections, we study the two mentioned approaches in state feedback design.

Controller design

Deterministic approach

In R-RoMulOC the deterministic state-feedback design LMI problem is defined as

```
quiz=ctrpb('state-feedback','unique')...
+1*hinfty(usysIW1)...
+100*i2p(usysIW2)...
+dstability(usysIW,region('plane',-1e-4))...
+dstability(usysIW,region('plane',-10,pi));
```

The LMI problem built in this way is based on quadratic stability type results with Lyapunov shaping paradigm [21], that is, a unique Lyapunov matrix is used for assessing all four specified performances and for all values of uncertainties. The four specifications are: the H_∞ performance with respect to the input/outputs w_1/z_1 ; the impulse-to-peak performance with respect to the input/outputs w_2/z_2 (which is equivalent to looking at peak response to the initial conditions); the pole location performance such that all closed-loop poles should have a real part smaller than -1×10^{-4} and greater than -10 (which influences the rapidity of the time response). The LMI problem is solved in R-RoMulOC using the following commands that return the state-feedback gain

```
Ksf_det=solvesdp(quiz,sdpsettings('verbose',1,'solver',
'mosek'));
```

Probabilistic Design

There are two paradigms in probabilistic techniques for controller design. The first approach is non-sequential, in which a sampled version of the original problem is solved in one shot. The scenario approach [2, 3] is a non-sequential approach for solving uncertain convex problems. The main idea in this approach is to reformulate a semi-infinite convex optimization problem as a sampled convex optimization problem subject to a finite number of random constraints extracted from the uncertainty set. The second class of probabilistic design algorithms are sequential methods, in which, at each iteration, a candidate solution is constructed – based on the gradient [20], ellipsoid [14], cutting plane [9] or sampling based

technique [7] – and its robustness is verified through a sequential probabilistic validation algorithm [1]. In R-RoMulOC, the scenario approach and sequential algorithms based on the gradient update rule [20] and the sequential approach presented in [7] are used to solve the uncertain state-feedback design problem. A controller addressing the same performance requirements as in the deterministic case can be formulated and solved using the sequential algorithm [6, 7]

```
quiz = ctrpb('state-feedback','rand')...
+1*hinfty(usysIW1)...
+100*i2p(usysIW2)...
+dstability(usysIW,region('plane',-1e-4))...
+dstability(usysIW,region('plane',-10,pi));
opts=randsettings('epsilon',0.1,'delta',1e-9,...
'method','sequential','sdpopts',...
'sdpsettings('verbose',0,'solver','mosek'));
Ksf_prob=solvesdp(quiz,opts);
```

The parameters `epsilon` and `delta` defined in the `randsettings` function are the required accuracy and confidence levels of the solution. In words, the probability that the solution does not satisfy constraints is smaller than `epsilon` and this statement holds with a probability of at least $1-\delta$. We refer to [4, 23] for the exact definition of accuracy and confidence levels. We remark that one can solve the same problem using the scenario approach [2, 3] by changing 'sequential' to 'scenario' in the code.

Closed-loop analysis of the state-feedback law

An important feature of R-RoMulOC is to provide, within a unified framework, a variety of available tools for analyzing the robust performance of uncertain closed-loop systems. In particular, a user can check whether several performance criteria, such as for instance the H_2 and H_∞ norms, impulse-to-peak response, pole location, etc., hold either robustly or with a guaranteed level of probability. Similar to design techniques, analysis can be performed either in a deterministic setting or through randomized algorithms resulting in a probabilistic estimate of robust performance.

Deterministic analysis

The deterministic analysis methods implemented in R-RoMulOC are based on Lyapunov-type certificates. In particular, it can be based on either a parameter-dependent Lyapunov function [10, 13, 15] or a common Lyapunov function [21]. An upper bound of the closed-loop H_∞ norm for the transfer z_1/w_1 can be computed using parameter-dependent Lyapunov matrices, as follows

```
usysIW1cl=sfeedback(usysIW1,Ksf_det);
quiz = ctrpb('analysis','PDLF')+hinfty(usysIW1cl);
solvesdp(quiz,sdpopts);
```

Probabilistic analysis

The probabilistic analysis is based on a Monte Carlo algorithm, in which a number of random samples are extracted from the uncertainty set and the performance index is measured only for the extracted samples. There are two probabilistic analysis algorithms: 1) Worst-case performance estimation, in which an estimate of the

| ConsideredAxis | ConsideredAppendices | model_type | uncertainty_type | rwheels | Design | | | Analysis | | | Complexity(s) | |
|----------------|----------------------|------------|------------------|---------|---------------|-----------------|---------------|-----------------|---------------|-----------------|---------------|---------------|
| | | | | | Design Method | Impulse to Peak | Infinity Norm | Det | | Prob | | |
| | | | | | | | | Impulse to Peak | Infinity Norm | Impulse to Peak | | Infinity Norm |
| 1 | 1 | 1 | 1 | 1 | Prob | 22.3 | 2.9 | 0.36 | 1.5 | 0.13 | 1.01 | 160 |
| | 1 | 1 | 1 | 1 | Det | 22.3 | 4.7 | 0.41 | 1.5 | 0.16 | 1.16 | 1 |
| 1 | 1,2 | 1 | 1 | 1 | Prob | Inf | Inf | NA | NA | NA | NA | NA |
| | 1,2 | 1 | 1 | 1 | Det | Inf | Inf | NA | NA | NA | NA | NA |
| 1 | 1,2,3,4 | 2 | 1 | 1 | Prob | 22.5 | 3 | 0.42 | 1.3 | 0.14 | 0.84 | 520 |
| | 1,2,3,4 | 2 | 1 | 1 | Det | 22.5 | 3 | 0.43 | 1.3 | 0.13 | 0.99 | 1.3 |
| 1,2 | 1,2,3,4 | 2 | 1 | 1 | Prob | Inf | Inf | NA | NA | NA | NA | NA |
| 1,2 | 1,2,3,4 | 2 | 1 | 1 | Det | Inf | Inf | NA | NA | NA | NA | NA |
| 1,2 | 1,2 | 2 | 1 | 1 | Prob | 22.4 | 2.8 | 0.67 | Inf | 0.2 | 0.06 | 2215 |
| 1,2 | 1,2 | 2 | 1 | 1 | Det | 22.7 | 5 | Inf | Inf | 0.16 | 0.5 | 142 |
| 1,2 | 1,2 | 2 | 2 | 1 | Prob | 22.46 | 2.69 | 0.7 | 1.38 | 0.19 | 0.08 | 1750 |
| 1,2 | 1,2 | 2 | 2 | 1 | Det | 22.6 | 4.24 | 0.75 | 1.03 | 0.19 | 0.14 | 46 |
| 1,2,3 | 1,2 | 2 | 2 | 1 | Prob | 22.5 | 3.3 | Inf | Inf | 0.23 | 0.66 | 16387 |
| 1,2,3 | 1,2 | 2 | 2 | 1 | Det | 22.7 | 8.1 | Inf | Inf | 0.2 | 1.34 | 14111 |

Table 1 – Simulation results for various probabilistic and deterministic controllers designed using R-RoMulOC for the DEMETER model. "Inf" indicates the cases where the optimization problem is infeasible; "NA" also refers to Not Applicable.

worst-case performance is defined as the worst-case performance among all extracted samples. The sample size in this case is defined by a log-over-log bound [22]. 2) Randomized performance verification, where the objective is to estimate the probability of a given level of performance being satisfied, for instance, estimating the probability of instability or the probability that the H_∞ norm of the system is below a given level. The number of samples in this case is defined by the Chernoff bound [8]. The next command computes the worst-case H_∞ norm of the closed-loop system `usysIW1cl` using a randomized worst-case performance estimation algorithm.

```
quiz = ctrpb('analysis', 'rand')+hinfty(usysIW1cl);
opts=randsettings('epsilon',1e-1,'delta',1e-6);
solvesdp(quiz,opts);
```

Numerical tests

In this section, we compare probabilistic and deterministic approaches in terms of performance and complexity. To this end, we generate a number of DEMETER models – based on the discussion of Subsection "Reduced size variations of the uncertain model", by changing the parameters `ConsideredAxis`, `ConsideredAppendices`, `model_type`, `uncertainty_type` and `rwheels` – and design various deterministic and probabilistic controllers. Next, the performance of the designed controllers is measured using the deterministic and probabilistic analysis methods of Section "Closed-loop analysis of the state-feedback law", in order to quantify the level of conservatism associated with different design approaches. The result of these numerical tests is reported in Table 1, where we consider different numbers of axes and

appendices, and different model and uncertainty types, and design probabilistic and deterministic controllers for the generated models. The probabilistic controller is designed using the scenario approach, and the probabilistic accuracy `epsilon` and confidence `delta` levels are set to 0.1 and 10^{-9} , respectively. In most cases – as expected – the probabilistic controller achieves less conservative performance levels in handling various uncertainties. In terms of computational complexity, the deterministic approach is less computationally demanding for the case in which all uncertainties are considered to be norm bounded. However, if we require uncertainties to be defined in intervals (and hence in polytopes), the computational complexity associated with the deterministic approach increases significantly. For such uncertainties, R-RoMulOC applies a vertex-separator result, as proposed in [12]. Unlike highly sparse DG-scaling type separators with few constraints built in the case of norm-bounded uncertainties, the vertex-separator is known to be less conservative but with an increased number of decision variables (full matrices) and an increased number of constraints (one for each vertex, and the number of vertices is 2^N where N is the number of uncertain parameters). We remark that in some problem instances of Table 1 the optimization problem – for controller design – is infeasible; there does not exist a "robust" state-feedback controller satisfying all required specifications and the optimization problem becomes infeasible, even for large probabilistic accuracy `epsilon` and confidence `delta` levels.

To further validate our design, a *posteriori* analysis using Monte-Carlo simulation was carried out for the controller designed in the second row of Table 1. To do so, we extracted 100 random samples from the uncertainty set, closed the loop for each of them and measured the impulse response – from w_2 to z_2 – of each sampled closed-loop

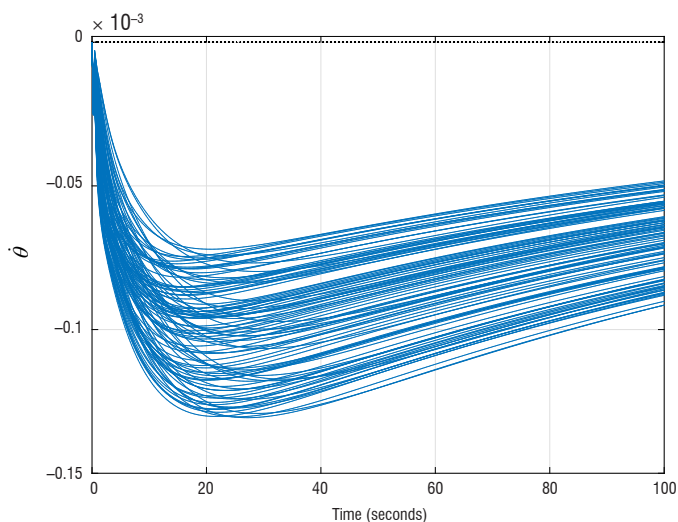


Figure 4 – Impulse response of 100 randomly generated closed-loop systems from w_2 to z_2 with the controller designed in the second row of Table 1

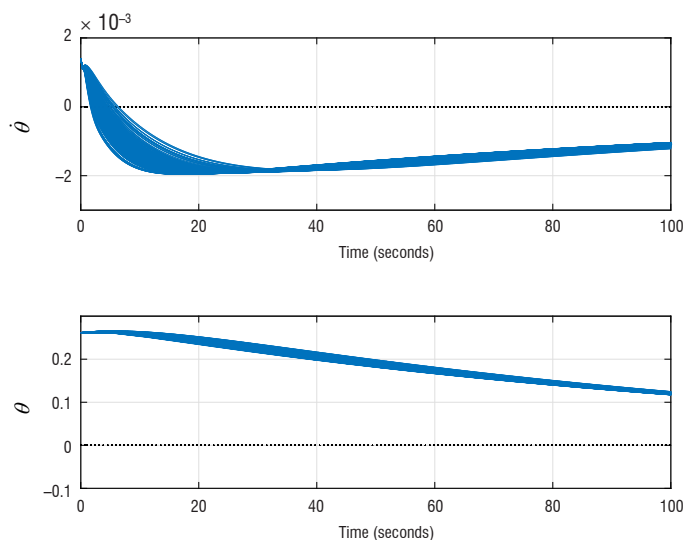


Figure 5 – Time trajectories of the satellite angular rate $\dot{\theta}$ (top figure) and angular deviation θ (bottom figure) for 100 randomly generated closed-loop systems from w_2 to z_2 with the controller designed in the second row of Table 1.

system. Figure 4 shows the result of this simulation. Figure 5 also demonstrates the time trajectories of the angular rate $\dot{\theta}$ and angular deviation θ of the satellite for the same sampled closed-loop systems. One can see that $\dot{\theta}$ starts from the initial condition $0.08\pi / 180 = 1.4 \times 10^{-3}$ rad/s and θ starts from $15\pi / 180 = 0.262$ rad. This is considered as the worst-case initial configuration. It is such that the pointing error θ tends to increase at the start due to the positive angular rate.

An interesting feature of randomized methods is that the computational complexity does not depend on the number of uncertain parameters. This feature is known as "breaking the curse of dimensionality". Therefore, increasing the number of uncertain parameters does not influence the complexity of solving a state-feedback problem using randomized methods. On the other hand, the stability and performance achieved using the controller designed by this approach is not guaranteed to hold for the entire set of uncertainties. That is, there might exist a subset of the uncertain set – although with very small probability measure – for which the guaranteed performance level is not attained.

Acknowledgments

Acknowledgments to all those who contributed to R-RoMulOC in many different ways: D. Arzelier, A. Bortott, G. Calafiore, G. Chevarria, E. Gryazina, B. Polyak, P. Shcherbakov, M. Sevin, P. Spiesser, and A. Tremba.

References

- [1] T. ALAMO, R. TEMPO, A. LUQUE, D. R. RAMIREZ - *Randomized Methods for Design of Uncertain Systems: Sample Complexity and Sequential Algorithms*. Automatica, 52:160-172, 2015.
- [2] G. C. CALAFIORE, M. C. CAMPI - *Uncertain Convex Programs: Randomized Solutions and Confidence Levels*. Mathematical Programming, 102:25-46, 2004.
- [3] G. C. CALAFIORE, M. C. CAMPI - *The Scenario Approach to Robust Control Design*. IEEE Transactions on Automatic Control, 51:742-753, 2006.
- [4] G. C. CALAFIORE, F. DABBENE, R. TEMPO - *Research on Probabilistic Methods for Control System Design*. Automatica, 47:1279-1293, 2011.
- [5] M. CHAMANBAZ, F. DABBENE, D. PEAUCELLE, R. TEMPO - *R-RoMulOC: A Unified Tool for Randomized and Robust Multiobjective Control*. 8th IFAC Symposium on Robust Control Design, Bratislava, July 2015.
- [6] M. CHAMANBAZ, F. DABBENE, R. TEMPO, V. VENKATARAMANAN, Q-G. WANG - *Sequential Randomized Algorithms for Sampled Convex Optimization*. Proc. IEEE Multi-Conference on Systems and Control, p. 182-187, Hyderabad, India, 2013.
- [7] M. CHAMANBAZ, F. DABBENE, R. TEMPO, V. VENKATARAMANAN, Q-G. WANG - *Sequential Randomized Algorithms for Convex Optimization in the Presence Of Uncertainty*. IEEE Transactions on Automatic Control, 61:2565-2571, 2016.
- [8] H. CHERNOFF - *A Measure of Asymptotic Efficiency for Tests of a Hypothesis Based on the Sum of Observations*. The Annals of Mathematical Statistics, 23:493-507, 1952.

It is noted that the designed controllers referred to in this paper are of the state-feedback type, requiring all of the states to be available for feedback. This requirement is not realistic in practice. In fact, in practice, sensors report $\theta, \dot{\theta}$ and $\int \theta$. Observers are needed for flexible modes $\eta, \dot{\eta}$. Therefore, an observer can be designed using the approach presented in [17], in order to estimate the states of the system and then use the state-feedback controller formulated in this paper to control the DEMETER satellite.

Conclusions

This paper shows how the features of the recently released Matlab toolbox R-RoMulOC can be exploited to perform both deterministic and probabilistic analysis, and the design of systems in the presence of uncertainty. The potentialities of R-RoMulOC are illustrated on the DEMETER satellite benchmark. The performed numerical simulations are fully reproducible, since both the DEMETER model and the R-RoMulOC toolbox are freely downloadable at <http://projects.laas.fr/OLOCEP/rromuloc/> ■

- [9] F. DABBENE, P. S. SHCHERBAKOV, B. T. POLYAK - *A Randomized Cutting Plane Method with Probabilistic Geometric Convergence*. SIAM Journal on Optimization, 20, 2010.
- [10] Y. EBIHARA, D. PEAUCELLE, D. ARZELIER - *S-Variable Approach to LMI-Based Robust Control*. Springer London, 2015.
- [11] M. FAN, A. TITS, J. DOYLE - *Robustness in the Presence of Mixed Parametric Uncertainty and Unmodelled Dynamics*. 36(1):25-38, January 1991.
- [12] T. IWASAKI, S. HARA - *Well-Posedness of Feedback Systems: Insights into Exact Robustness Analysis and Approximate Computations*. IEEE Trans. on Automat. Control, 43(5):619-630, 1998.
- [13] T. IWASAKI, G. SHIBATA - *LPV System Analysis via Quadratic Separator for Uncertain Implicit Systems*. IEEE Transactions on Automatic Control, 46:1195-1208, 2001.
- [14] S. KANEV, B. DE SCHUTTER, M. VERHAEGEN - *An Ellipsoid Algorithm for Probabilistic Robust Controller Design*. Systems & Control Letters, 49:365-375, 2003.
- [15] D. PEAUCELLE, D. ARZELIER, D. HENRION, F. GOUAISBAUT - *Quadratic Separation for Feedback Connection of an Uncertain Matrix and an Implicit Linear Transformation*. Automatica, 43:795-804, 2007.
- [16] D. PEAUCELLE, D. ARZELIER - *Robust Multi-Objective Control Toolbox*. Proc. of the CACSD Conference, Munich, Germany, 2006.
- [17] D. PEAUCELLE, Y. EBIHARA. *LMI Results for Robust Control Design of Observer-Based Controllers, the Discrete-Time Case with Polytopic Uncertainties*. Proc. 19th IFAC world congress, p. 6527-6532, 2014.
- [18] I. R. PETERSEN, R. TEMPO - *Robust Control of Uncertain Systems: Classical Results and Recent Developments*. Automatica, 50:1315-1335, 2014.
- [19] C. PITTET, D. ARZELIER - *Demeter: A Benchmark for Robust Analysis and Control of the Attitude of Flexible Micro Satellites*. Proc. 6th IFAC Symposium on Robust Control Design, p. 661-666, Toulouse, France, 2006.
- [20] B. T. POLYAK, R. TEMPO - *Probabilistic Robust Design with Linear Quadratic Regulators*. Systems & Control Letters, 43:343-353, 2001.
- [21] C. SCHERER, P. GAHINET, M. CHILALI - *Multiobjective Output-Feedback Control via LMI Optimization*. IEEE Transactions on Automatic Control, 42:896-911, 1997.
- [22] R. TEMPO, E.-W. BAI, F. DABBENE - *Probabilistic Robustness Analysis: Explicit Bounds for The Minimum Number of Samples*. Systems and Control Letters, 30:237-242, 1997.
- [23] R. TEMPO, G. C. CALAFIORE, F. DABBENE - *Randomized Algorithms for Analysis and Control of Uncertain Systems: With Applications*. Springer, 2nd edition, 2013.
- [24] A. TREMBA, G. C. CALAFIORE, F. DABBENE, E. GRYAZINA, B. POLYAK, P. SHCHERBAKOV, R. TEMPO. *RACT: Randomized Algorithms Control Toolbox for MATLAB*. Proc. 17th World Congress of IFAC, Seoul, p. 390-395, 2008.

AUTHORS



Mohammadreza Chamanbaz was born in Shiraz, Iran in 1985. In 2008 he received his BSc in Electrical Engineering from Shiraz University of Technology, Shiraz, Iran. In 2014 he received his PhD in control science from the Department of Electrical & Computer Engineering, National University of Singapore. He was with Data Storage Institute, Singapore as research scholar from 2010 to 2014 and with Singapore University of Technology and Design as postdoctoral research fellow from 2014 to 2017. He is now Assistant Professor in Arak University of Technology, Arak, Iran. He is a member of IEEE Technical Committee on Computational Aspects of Control System Design (CACSD). His research activities are mainly focused on probabilistic and randomized algorithms for analysis and control of uncertain systems, convex optimization and robust control.



Fabrizio Dabbene received the Laurea degree in 1995 and the Ph.D. degree in 1999, both from *Politecnico di Torino*, Italy. He is currently Senior Researcher at the CNR-IEIT institute. His research interests include randomized and robust methods for systems and control, and modeling of environmental systems. He published more than 100 research papers and two books, and is recipient of the 2010 EurAgeng Outstanding Paper Award. He served as Associate Editor for *Automatica* (2008-2014) and *IEEE Transactions on Automatic Control* (2008-2012). Dr. Dabbene is a Senior Member of the IEEE, and has taken various responsibilities within the IEEE-CSS: he served as elected member of the Board of Governors (2014-2016) and as Vice President for Publications (2015-2016).



Roberto Tempo graduated from *Politecnico di Torino*, Italy. He was a Director of Research of Systems and Computer Engineering since 1991. He has held visiting positions at Tsinghua University and Chinese Academy of Sciences, Beijing; Kyoto University, Japan; the University of Tokyo, Japan; University of Illinois at Urbana-Champaign, IL, USA, German Aerospace Research Organization, Oberpfaffenhofen; and Columbia University, New York. Dr. Tempo's research activities were

mainly focused on the analysis and design of complex networked systems subject to uncertainty, and various applications within information technology. Dr. Tempo was a Fellow of the IEEE and of the IFAC. He has been a recipient of the IEEE Control Systems Magazine Outstanding Paper Award, of the *Automatica* Outstanding Paper Prize Award, and of the Distinguished Member Award from the IEEE Control Systems Society. In 2010 Dr. Tempo was President of the IEEE Control Systems Society. He served as Editor-in-Chief of *Automatica*. He has been Editor for Technical Notes and Correspondence of the *IEEE TRANSACTIONS ON AUTOMATIC CONTROL* in 2005–2009 and a Senior Editor of the same journal in 2011–2014. He was General Co-Chair for the IEEE Conference on Decision and Control, Florence, Italy, 2013 and Program Chair of the first joint IEEE Conference on Decision and Control and European Control Conference, Seville, Spain, 2005.



Dimitri Peaucelle was born in Leningrad, USSR, on 2 March 1974. He is a full-time researcher at the French National Center for Scientific Research (CNRS), working at LAAS in Toulouse. He obtained his Ph.D. degree in 2000 from Toulouse University. His research interests are in robust control, and extend to convex optimization over linear matrix inequalities (LMIs), periodic systems, positive systems, time-delay systems and direct adaptive control. He is also involved in computer-aided control design activities and is the main contributor to the Randomized and Robust Multiobjective Control (R-RoMulOC) Toolbox. He has been involved in several industrial projects with aerospace partners for launcher, aircraft, and satellite robust control. In 2017 he serves as General Chair of the IFAC World Congress.



Christelle Pittet received the Engineering degree in aeronautics from *Ecole Nationale de l'Aviation Civile*, Toulouse, France in 1995 and the PhD degree in 1998 from University Paul Sabatier of Toulouse, France. She has been with the French Space Agency (CNES), Toulouse, France, as Attitude and Orbit Control System expert, where she is in charge of advanced control studies, project development and in flight analysis.

