



HAL
open science

Decision support for design of reconfigurable rotary machining systems for family part production

Olga Battaïa, Alexandre Dolgui, Nikolai Guschinsky

► **To cite this version:**

Olga Battaïa, Alexandre Dolgui, Nikolai Guschinsky. Decision support for design of reconfigurable rotary machining systems for family part production. *International Journal of Production Research*, 2017, 55 (5), pp.1368-1385. 10.1080/00207543.2016.1213451 . hal-01523726

HAL Id: hal-01523726

<https://hal.science/hal-01523726>

Submitted on 16 May 2017

HAL is a multi-disciplinary open access archive for the deposit and dissemination of scientific research documents, whether they are published or not. The documents may come from teaching and research institutions in France or abroad, or from public or private research centers.

L'archive ouverte pluridisciplinaire **HAL**, est destinée au dépôt et à la diffusion de documents scientifiques de niveau recherche, publiés ou non, émanant des établissements d'enseignement et de recherche français ou étrangers, des laboratoires publics ou privés.

submitted in 2015 version (for the final version see the journal web site)

Decision support for design of reconfigurable rotary machining systems for family part production

Olga Battaïa *, **Alexandre Dolgui ****, **Nikolai Guschinsky*****

* ISAE-Supaéro, TOULOUSE, France (e-mail: olga.battaia@isae.fr)

** IMT Atlantique, LS2N UMR CNRS 6004, F-44307 NANTES Cedex 3, France (e-mails: alexandre.dolgui@mines-nantes.fr, alexandre.dolgui@imt-atlantique.fr)

*** Operational Research Laboratory, United Institute of Informatics Problems, MINSK, Belarus (e-mail: gyshin@newman.bas-net.by)

Abstract:

To remain competitive in currently unpredictable markets, the enterprises must adapt their manufacturing systems to frequent market changes and high product variety. Reconfigurable manufacturing systems (RMSs) promise to offer a rapid and cost-effective response to production fluctuations under the condition that their configuration is attentively studied and optimised. This paper presents a decision support tool for designing reconfigurable machining systems to be used for family part production. The objective is to elaborate a cost-effective solution for production of several part families. This design issue is modelled as a combinatorial optimization problem. An illustrative example and computational experiments are discussed to reveal the application of the proposed methodology. Insight gained would be useful to the decision makers managing the configuration of manufacturing systems for diversified products.

Keywords: Reconfigurable machining systems, Production system design, Family part production, Rotary machine, Combinatorial design, Combinatorial optimization

1. INTRODUCTION

Today manufacturing companies have to cope with increasing global competition and unpredictable market changes driven by the rapid introduction of new products and constantly varying product demand [12]. One of the possible responses to the challenge of meeting customers' needs is offered by the introduction of reconfigurable equipment in the manufacturing process. The reconfigurable manufacturing equipment (RMSs) was invented to provide a rapid and cost-effective response to production requirements. This is accomplished through reconfiguring the system elements over the time for a diverse set of products often required in small quantities and with short delivery lead time [21].

In practice, different physical structures can support the physical reconfiguration of the system. The physical structure defines such core characteristics of RMS as modularity, scalability, convertibility and diagnosability [16, 29]. This paper considers in particular reconfigurable machining systems with rotary transfer and turrets (Fig. 1). The goal is to develop optimization methods adapted to this physical structure that will help designers to select machining units and to match the system configuration with the production requirements of each particular part family.

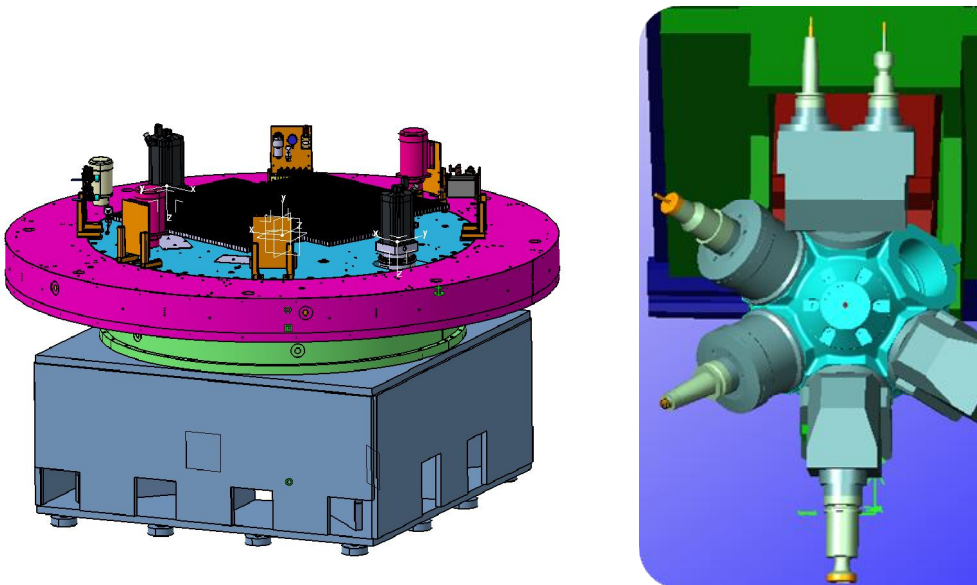


Figure 1 A rotary table and a turret with 5 machining units: one of them holds 2 spindles

The sectors of the rotary table, where parts are placed, correspond to the working positions of the machine. The table can serve at most m_0 working positions. Working positions can be reconfigured depending on the part family to be machined. Not all positions are used for machining each part.

At each working position, modular machining units (modules) are used for processing parts. In the considered design problem, the following machining units are distinguished:

- 1) According to the number of machining units linked together:

1.a) a spindle head which constitutes a single machining module that contains one or several spindles applied in parallel to the part being machined,

1.b) a turret which holds several machining units activated in a given sequence as shown in Fig. 1

2) According to the direction of machining process:

2.a) the vertical modules that are applied to machine vertically (Z -axis). Note that in the considered case if a vertical turret is installed at one position, it is only used at this position. However it is also possible to install a vertical spindle head common to several working positions.

2.b) the horizontal modules that are fixed and applied to the parts to machine horizontally (other axes)

The design of transfer machines with rotary or mobile tables was mostly studied for mass production [4, 6, 17]. For such machining systems, the reconfiguration process is not effortless, is costly and requires solving a specific optimization problem as it was studied in [25]. Usually, the reconfiguration of mass production transfer lines is made only every 7 years.

Since the introduction of the concept of reconfigurable manufacturing systems (RMS) by Koren et al. [20], the configuration and reconfiguration of such systems have been often discussed in the literature [9,26]. However, the previous studies have considered different physical structures of RMS in comparison to that considered in the present paper [11,18,24]. As a consequence, the existing optimization methods cannot be applied directly to the design of reconfigurable rotary machining systems with turrets. In particular, the cost of the installation of RMS and their operation were assessed in [23,28,30]. Such important actual performance indicators as their rapid responsiveness and value creation have been discussed in details in recent studies [19,22]. Other optimization problems related to the use of RMS have been also revealed in the literature, namely: measurement of operational capability [14], recognition of appropriate sets of part families [15], integrated process planning and scheduling for RMS [8], production planning and performance optimization [1]. Borisovsky et al. [10] and Essafi et al. [13] studied the problem of balancing reconfigurable machining lines. Variety-oriented design of machining systems used for batch production was considered by Battaia et al. [3]. An overview of on artificial intelligence applications to the optimal design of dedicated and reconfigurable manufacturing systems was presented by Renzi et al. [27].

This paper develops a novel decision support tool assisting designers in the design of reconfigurable rotary machining systems for part families production. This design problem is formulated as a combinatorial optimization problem. Section 2 introduces the general statement of the problem and provides a mathematical model for variables, constraints and the objective function. Section 3 presents

the mathematical model and the solution approach. An industrial example is considered in Section 4. Concluding remarks are given in Section 5.

2. PROBLEM STATEMENT

2.1. Definitions

The machine to be designed is employed for machining several families of similar parts. No setup is required for different parts from the same family [2]. However, a reconfiguration of the system may be required between different families.

At the design step, it is assumed that there are \aleph families of parts to be produced with required output O_v , $v=1,2,\dots,\aleph$. At the end of each family, the machine is reconfigured for machining the next family, i.e. the fixtures of parts are changed and some spindles are mounted or dismounted if necessary. In total, there are d_0 different types of parts. The parts of v -th family are loaded in sequence $\pi_v=(\pi_{v1}, \pi_{v2}, \dots,\pi_{v\mu_v})$ where $\pi_{vj} \in \{0, 1, 2, \dots, d_0\}$, $j=1, 2, \dots, \mu_v$, μ_v is a multiple to m_0+1 and $\pi_{vj}=0$ means that no part is loaded.

Using sequences π_v we can define in one-to-one manner function $\pi_v(i,k)$, $i=1,\dots,O_v\mu_v+m_0-1$, of part number on the k -th working position after i turns of the rotary table in the following way:

$$\pi_v(i,k) = \begin{cases} \pi_{v\psi(i-k+1)}, & \text{if } i-k+1 > 0 \text{ and } i \leq O_v\mu_v, \\ 0, & \text{if } i-k+1 \leq 0 \text{ or } i > O_v\mu_v \text{ and } k < i - O_v\mu_v + 1, \\ \pi_{v(\mu_v - k + i - O_v\mu_v + 1)}, & \text{otherwise,} \end{cases}$$

where $\psi(a) = \mu_v$ if a is multiple to μ_v and $\psi(a) = \text{mod}(a, \mu_v)$ otherwise.

The machine to be designed should perform the set of machining operations $\mathbf{N} = \bigcup_{d=1}^{d_0} \mathbf{N}^d$ where \mathbf{N}^d is the

set of machining operations that should be performed for processing the d -th part, $d=1, 2, \dots, d_0$. They are required for machining elements (holes, faces, etc.) located on n_d sides of the d -th part. The side is defined by direction axis of the machined elements.

Only one side of each part can be accessible for the vertical spindle head or turret. All other operations have to be performed by horizontal spindle heads or turrets.

Each part d has several possible orientations represented by a matrix $\mathbf{H}(d) = (h_{rs}(d))_{r=1,s=1}^{n_d, n_d}$ where $h_{rs}(d)$ is equal j , $j=1,2$ if the elements of the s -th side of the part d can be machined by spindle head or turret type j . The execution of each operation depends on the part's orientation, i.e. set $H(p)$ of feasible

orientations of the part (indexes $r \in \{1, 2, \dots, r_d\}$ of rows of matrix $\mathbf{H}(d)$) for execution of operation $p \in N_s^d$ by spindle head or turret of type j (vertical if $h_{rs}(d)=1$ and horizontal if $h_{rs}(d)=2$).

Each operation $p \in \mathbf{N} = \bigcup_{d=1}^{d_0} \mathbf{N}^d$ is also characterized by its working stroke length $\lambda(p)$ (i.e. the distance to be run by the tool in order to complete operation p) and the range of feasible values of feed rate $[\gamma_1(p), \gamma_2(p)]$ which sets the limits of the machining speed.

To sum up, the following assumptions are considered at the design step:

- The families of parts to be machined are defined by required machining operations and required output.
- The number of working positions is defined.
- The loading sequence of families of parts is given.
- The orientation of the parts cannot be changed at any working position.

2.2 Decisions to be taken

The goal of the design problem is to define the configuration of the machining system. More precisely, the designer has to define:

1. the orientation of each part d
2. the machining modules (horizontal or vertical, spindle head or turret) to be installed at each working position and their use for each part d
3. the set of operations N_{dkjl} to be performed by each machining module l ($l=1, \dots, b_{kj}$) of vertical ($j=1$) or horizontal ($j=2$) type on each part d at working position k
4. feed per minute Γ_{dkjl} associated with N_{dkjl}

These decisions can be modelled in the following way:

1. Let subset $N_k, k=1, \dots, m$ contain the operations from set \mathbf{N} assigned to the k -th working position.
2. Let sets N_{k1} and N_{k2} be the sets of operations assigned to working position k that are realized by vertical and horizontal machining, respectively.
3. Finally, let b_{kj} be the number of machining modules (not more than b_0) of type j (vertical if $j=1$ or horizontal if $j=2$) installed at the k -th working position and respectively subsets $N_{kjl}, l=1, \dots, b_{kj}$ contain the operations from set N_{kj} assigned to the same machining module.

Taking into account these definitions, let $P = \langle P_1, \dots, P_k, \dots, P_{m_0} \rangle$ be a design decision with $P_k = (P_{1k11}, P_{2k11}, \dots, P_{d_0k11}, \dots, P_{1k1b_{k1}}, P_{2k1b_{k1}}, \dots, P_{d_0k1b_{k1}}, P_{1k21}, P_{2k21}, \dots, P_{d_0k21}, \dots, P_{1k2b_{k1}}, P_{2k2b_{k1}}, \dots, P_{d_0k2b_{k1}})$,

$$P_{dkjl} = (N_{dkjl}, \Gamma_{dkjl}), P_{dkj} = (P_{dkjl} | l=1, \dots, b_{kj}), P_{dk} = (P_{dkj} | j=1, 2), \text{ and } \mathbf{N}_j = \bigcup_{d=1}^{d_0} \bigcup_{k=1}^{m_0} \bigcup_{l=1}^{b_{kj}} N_{dkjl}, j=1, 2.$$

This decision has to respect a number of technological constraints that are known in literature as *precedence*, *inclusion* and *exclusion* constraints.

Precedence constraints are represented by a directed graph $G^{OR} = (\mathbf{N}, D^{OR})$: If an arc $(p, q) \in D^{OR}$ then operation p has to be executed before operation q . It should be noted that if such operations p and q belong to different sides of the part, then they cannot be executed at the same position without violating the precedence constraint.

Inclusion constraints are represented by undirected graphs $G^{SP} = (\mathbf{N}, E^{SP})$, $G^{ST} = (\mathbf{N}, E^{ST})$, $G^{SM} = (\mathbf{N}, E^{SM})$ and $G^{SS} = (\mathbf{N}, E^{SS})$: If there is an edge $(p, q) \in E^{SS}$ ($(p, q) \in E^{SM}$, $(p, q) \in E^{ST}$, $(p, q) \in E^{SP}$) then operations p and q must be executed by the same spindle (the same machining module, turret, at the same position).

Exclusion constraints are represented by undirected graphs $G^{DM} = (\mathbf{N}, E^{DM})$, $G^{DT} = (\mathbf{N}, E^{DT})$, and $G^{DP} = (\mathbf{N}, E^{DP})$. If there is an edge $(p, q) \in E^{DM}$ ($(p, q) \in E^{DT}$, $(p, q) \in E^{DP}$) then operations p and q cannot be executed by the same machining module (turret, at the same position).

Based on matrices $\mathbf{H}(d)$, $d=1, 2, \dots, d_0$, we can build matrix \mathbf{H} of dimension $\prod_{d=1}^{d_0} r_d \times \sum_{d=1}^{d_0} n_d$. It can be

modified with relation to the inclusion constraints on turrets, machining modules and spindles, i.e. row r of \mathbf{H} is deleted if $h_{rs'} \neq h_{rs''}$ for $p \in N_s^{d'}$, $q \in N_s^{d''}$ and $(p, q) \in E^{SS} \cup E^{SM} \cup E^{ST}$. Each row of \mathbf{H} defines in one-to-one manner partition of \mathbf{N} to \mathbf{N}_1 and \mathbf{N}_2 . Then the optimal solution of the initial problem can be found as the best partition of corresponding \mathbf{N}_1 and \mathbf{N}_2 .

2.3. Machining time calculation

The execution time $t^b(P_{dkjl})$ of operations from N_{dkjl} with the feed per minute $\Gamma_{dkjl} \in [\max\{\gamma_1(p) | p \in N_{dkjl}\}, \min\{\gamma_2(p) | p \in N_{dkjl}\}]$ is equal to

$$t^b(P_{dkjl}) = L(N_{dkjl}) / \Gamma_{dkjl} + \tau^a,$$

where $L(N_{dkjl}) = \max\{\lambda(p) | p \in N_{dkjl}\}$, and τ^a is an additional time for advance and disengagement of tools [17].

We assume that if a turret of type j is installed at the k -th position then the execution time of operations from N_{dkjl} is equal to

$$t^h(P_{dkj}) = \tau^s b_{kj} + \sum_{l=1}^{b_{kj}} t^b(P_{dkjl}), j=1, 2,$$

where τ^s is an additional time for one rotation of turret [7]. If the spindle head is installed then $t^h(P_{dkj}) = t^b(P_{dkjl}), j=1,2$. If all N_{dkjl} are empty then $t^h(P_{dkj})=0$.

The execution time $t^p(P_{dk})$ is defined as

$$t^p(P_{dk}) = \tau^r + \max\{t^h(P_{dkj}) | j=1,2\},$$

where τ^r is an additional time for table rotation.

Then the time $T(P)$ for machining all the families of parts is equal to

$$T(P) = \sum_{v=1}^{\aleph} \sum_{i=1}^{O_v \mu_v + m_0 - 1} \max\{t^p(P_{\pi_v(i,k)k}) | k=1, \dots, m_0\}.$$

The required productivity is provided, if the total time $T(P)$ does not exceed the available time T_0 .

2.3 Objective function

Let C_1 , C_2 , C_3 , and C_4 be the relative costs for one position, one turret, one machining module of a turret, and one spindle head respectively. Since the vertical spindle head (if it is present) is common to several positions, its size (and therefore the cost) depends on the number of positions to be covered. Let k_{\min}^h and k_{\max}^h be the minimal and the maximal position of the common vertical spindle head. Then its cost can be estimated as $C_4 + (k_{\max}^h - k_{\min}^h)C_5$ where C_5 is the relative cost for covering one additional position by the vertical spindle head. If a vertical spindle turret is installed, its cost can be estimated by $C_2 + C_3 b_{k1}$. In a similar way the cost $C(b_{k2})$ for performing set of operations N_{k2} by associated b_{k2} machining modules can be assessed as follows:

$$C(b_{k2}) = \begin{cases} 0 & \text{if } b_{k2} = 0, \\ C_4 & \text{if } b_{k2} = 1, \\ C_2 + C_3 b_{k2} & \text{if } b_{k2} > 1. \end{cases}$$

In the next section we present Mixed Integer Programming (MIP) formulation for the design problem with the objective being to minimize total equipment cost.

3. Solution approach

3.1. MIP formulation

Let us introduce the following notation:

X_{pkl} = 1 if operation p is assigned to the l -th machining module of spindle head or turret of type j ($j=1$ if $p \in \mathbf{N}_1$ and $j=2$ if $p \in \mathbf{N}_2$) at position k

Y_{kjl}^d = 1 if at least one operation is executed for part d by l -th machining unit of the spindle head or turret of type j at position k

Y_{kj}^d = 1 if at least one operation is executed for part d by a spindle head or turret of type j at position k

Y_{kjl} = 1 if the l -th machining module of spindle head or turret type j is installed at the k -th position

$Y_{1\min}$ = k if k is the first position covered by vertical spindle head or turret ($Y_{1\min} = 0$ if $\mathbf{N}_1 = \emptyset$)

$Y_{1\max}$ = k if k is the last position covered by vertical spindle head or turret ($Y_{1\max} = 0$ if $\mathbf{N}_1 = \emptyset$)

Z_k = 1 if at least one operation is assigned to the k -th position

The following auxiliary variables are used for determining the execution time:

F_{kjl}^d for part d by l -th machining module of spindle head or turret type j at the k -th position

F_k^d for part d at k -th position

$F^{\upsilon i}$ total time of all positions when processing of part $\pi_{\upsilon i}$ of υ -th family is finished

$F_S^{\upsilon i}$ total time of first i positions after the i -th turn of the rotary table for processing υ -th family

$F_f^{\upsilon i}$ total time of last i positions after the $O_{\upsilon\mu_{\upsilon}+m_0-i}$ -th turn of the rotary table for processing υ -th family

t_{pq} minimal time necessary for the execution of operations p and q in the same machining module, $t_{pq} = \max(\lambda(p), \lambda(q)) / \min(\gamma_2(p), \gamma_2(q)) + \tau^a$

It is assumed that $(p, q) \in E^{DM}$ if $\min(\gamma_2(p), \gamma_2(q)) < \max(\gamma_1(p), \gamma_1(q))$.

Since the vertical spindle head has a common feed rate it can be determined in advance if it is possible to install a common vertical spindle head for all machined parts. It cannot be installed if $\max\{\gamma_1(p) | p \in \mathbf{N}_1\} > \min\{\gamma_2(p) | p \in \mathbf{N}_1\}$. The vertical turret cannot be installed if there exist operations $p \in \mathbf{N}_1$ and $q \in \mathbf{N}_2$ such that $(p, q) \in E^{SP}$ or operations $p \in \mathbf{N}_1$ and $q \in \mathbf{N}_1$ such that $(p, q) \in E^{DT} \cup E^{DP}$. If both cases (for spindle head and turret) are identified then the problem has no solution.

The objective function representing the total cost of all equipment can be expressed as follows:

$$\begin{aligned} \text{Min } & C_1 \sum_{k=1}^{m_0} Z_k + C_4 \sum_{k=1}^{m_0} Y_{k21} + (C_2 + 2C_3 - C_4) \sum_{k=1}^{m_0} \sum_{j=1}^2 Y_{kj2} + \\ & C_3 \sum_{k=1}^{m_0} \sum_{j=1}^2 \sum_{l=3}^{b_0} Y_{kjl} + C_4 Y_1 + C_5 (Y_{1\max} - Y_{1\min}) \end{aligned} \quad (1)$$

If the horizontal turret is installed at position k then $Y_{k21}=Y_{k22}=1$ and $C_4 Y_{k21} + (C_2 + 2C_3 - C_4) Y_{k22} = C_2 + 2C_3$. If a horizontal spindle head is installed at position k then $Y_{k2l}=0, l=2, \dots, b_0$, and $C_4 Y_{k21} + (C_2 + 2C_3 - C_4) Y_{k22} = C_4$. If the vertical turret is installed at position k then $Y_{k11}=Y_{k12}=1, Y_1=1, Y_{1\min}=Y_{1\max}$ and $(C_2 + 2C_3 - C_4) Y_{k12} + C_4 Y_1 + C_5 (Y_{1\max} - Y_{1\min}) = C_2 + 2C_3$. If the vertical spindle head is common for positions $k_1=Y_{1\min}, \dots, k_v=Y_{1\max}$ then $Y_1=1, Y_{k1l}=0, l=2, \dots, b_0, k=1, \dots, m_0$ and $C_4 Y_1 + (C_2 + 2C_3 - C_4) \sum_{k=1}^{m_0} Y_{k12} = C_4$.

Variables $Z_k, k=1, \dots, m_0$ have to satisfy the following constraints:

$$Z_k \leq Y_{k11} + Y_{k21}; k=1, \dots, m_0 \quad (2)$$

$$Y_{k11} + Y_{k21} \leq 2Z_k; k=1, \dots, m_0 \quad (3)$$

If $\mathbf{N}_1 \neq \emptyset$ variables $Y_{1\min}$ and $Y_{1\max}$ can be defined by the following constraints:

$$(m_0 - k + 1) Y_{k11} + Y_{1\min} \leq m_0 + 1; k=1, \dots, m_0 \quad (4)$$

$$Y_{1\max} \geq k Y_{k11}; k=1, \dots, m_0 \quad (5)$$

The number of variables and constraints can be reduced by using set \mathbf{N}' instead of \mathbf{N} . The set \mathbf{N}' is built based on graph $G^{SSM} = (\mathbf{N}, E^{SSM} = E^{SS} \cup E^{SM})$. Let $G_i^{SSM} = (N_i^{SSM}, E_i^{SSM}), i=1, \dots, n^{SSM}$, be connectivity components of G^{SSM} including isolated vertices. Only one vertex (operation) \wp_i is chosen from each N_i^{SSM} and included into \mathbf{N}' . Later $\chi(p) = \wp_i$ for all $p \in N_i^{SSM}$.

Each operation is assigned to one block

$$\sum_{k=1}^{m_0} \sum_{l=1}^{b_0} X_{pkl} = 1; p \in \mathbf{N}' \quad (6)$$

Precedence constraints:

$$\sum_{p \in \text{Pred}(q)} \sum_{k'=1}^{k-1} \sum_{l'=1}^{b_0} X_{\chi(p)k'l'} + \sum_{p \in \text{Pred}(q) \cap \mathbf{N}_j} \sum_{l'=1}^{l-1} X_{\chi(p)kl'} \geq |\text{Pred}(q)| X_{\chi(q)kl}; q \in \mathbf{N}_j; j=1, 2 \quad (7)$$

where $\text{Pred}(q) = \{p \in \mathbf{N} | (p, q) \in D^{OR}\}$.

For operations p and q that have to be performed in the same working position and turret

$$\sum_{l=1}^{b_0} X_{\chi(p)kl} = \sum_{l=1}^{b_0} X_{\chi(q)kl}; (p,q) \in E^{SP} \cup E^{ST}; k=1, \dots, m_0 \quad (8)$$

For operations p and q that have to be executed in different working positions

$$\sum_{l=1}^{b_0} X_{\chi(p)kl} + \sum_{l=1}^{b_0} X_{\chi(q)kl} \leq 1, (p,q) \in E^{DP}; k=1, \dots, m_0 \quad (9)$$

For operations p and q that have to be executed in different turrets, but can be executed by the same spindle head

$$\sum_{l=1}^{b_0} X_{\chi(p)kl} + \sum_{l=1}^{b_0} X_{\chi(q)kl} + Y_{kj2} \leq 2, (p,q) \in E^{DT}; p,q \in \mathbf{N}_j; k=1, \dots, m_0; j=1,2 \quad (12)$$

For operations p and q that have to be executed with different machining modules

$$X_{\chi(p)kl} + X_{\chi(q)kl} \leq 1; (p,q) \in E^{DB}; k=1, \dots, m_0; l=1, \dots, b_0 \quad (13)$$

The following constraints define Y_{kjl}^d , Y_{kj}^d , and Y_{kjl} . These decision variables take 1 if and only if the corresponding sums are not equal to 0.

$$Y_{kjl}^d \leq \sum_{p \in \mathbf{N}_j \cap \mathbf{N}^d} X_{\chi(p)kl}; d=1, \dots, d_0; k=1, \dots, m_0; j=1,2; l=1, \dots, b_0 \quad (14)$$

$$\sum_{p \in \mathbf{N}_j \cap \mathbf{N}^d} X_{\chi(p)kl} \leq |\mathbf{N}_j \cap \mathbf{N}^d| Y_{kjl}^d; d=1, \dots, d_0; k=1, \dots, m_0; j=1,2; l=1, \dots, b_0 \quad (15)$$

$$Y_{kjl} \leq \sum_{d=1}^{d_0} Y_{kjl}^d; k=1, \dots, m_0; j=1,2; l=1, \dots, b_0 \quad (16)$$

$$\sum_{d=1}^{d_0} Y_{kjl}^d \leq d_0 Y_{kjl}; k=1, \dots, m_0; j=1,2; l=1, \dots, b_0 \quad (17)$$

$$Y_{kj}^d \leq \sum_{l=1}^{b_0} Y_{kjl}^d; d=1, \dots, d_0; k=1, \dots, m_0; j=1,2; \quad (18)$$

$$\sum_{l=1}^{b_0} Y_{kjl}^d \leq b_0 Y_{kj}^d; d=1, \dots, d_0; k=1, \dots, m_0; j=1,2; l=1, \dots, b_0 \quad (19)$$

Empty machining modules are not allowed:

$$Y_{kjl-1} \geq Y_{kjl}; k=1, \dots, m_0; j=1,2; l=2, \dots, b_0 \quad (20)$$

A vertical turret cannot be combined with a horizontal one:

$$Y_{k12} + Y_{k21} \leq 1; k=1, \dots, m_0 \quad (21)$$

If the vertical turret cannot be installed then the following equations should be satisfied:

$$Y_{k1l} = 0; k=1, \dots, m_0; l=2, \dots, b_0 \quad (22)$$

The following constraints (23-26) define the execution time variables as introduced here below:

$$F_{kjl}^d \geq t_{qq} X_{\chi(q)kl}; q \in \mathbf{N}^d \cap \mathbf{N}_j; j=1,2; d=1, \dots, d_0; k=1, \dots, m_0; l=1, \dots, b_0 \quad (23)$$

$$F_{kjl}^d \geq t_{pq} (X_{\chi(p)kl} + X_{\chi(q)kl} - 1); p, q \in \mathbf{N}^d \cap \mathbf{N}_j; j=1,2; d=1, \dots, d_0; k=1, \dots, m_0; l=1, \dots, b_0 \quad (24)$$

If a vertical spindle head can be installed ($\max \{\gamma_1(p) | p \in \mathbf{N}_1\} \leq \min \{\gamma_2(p) | p \in \mathbf{N}_1\}$) then

$$F_{k11}^d \geq (\lambda(p)/\gamma_2(q) + \tau^a) (X_{\chi(p)k1} + X_{\chi(q)k1} - 1); p, q \in \mathbf{N}^d \cap \mathbf{N}_1; d=1, \dots, d_0; k, k'=1, \dots, m_0; k \neq k' \quad (25)$$

Otherwise

$$Y_{k11} = Y_{k12}; k=1, \dots, m_0 \quad (25')$$

$$F_k^d \geq \sum_{l=1}^{b_0} F_{kjl}^d + 2\tau^g Y_{kj2} + \tau^g \sum_{l=3}^{b_0} Y_{kjl} + b_0 \tau^g (Y_{kj}^d - 1); d=1, \dots, d_0; k=1, \dots, m_0; j=1,2 \quad (26)$$

If a turret of type j with b_{kj} machining modules is installed at the k -th position then $F_k^d \geq \sum_{l=1}^{b_{kj}} F_{kjl}^d + b_0 \tau^g$ if

at least one operation from \mathbf{N}^d is executed by the turret and $F_k^d = 0$ otherwise. If a spindle head of type j is installed at the k -th position then $F_k^d \geq F_{kj1}^d$.

The required productivity is provided if

$$F^{\nu i} \geq F_k^{\pi_\nu(i,k)} + \tau^r; \nu=1, \dots, \mathfrak{N}; i=1, \dots, \mu_\nu; k=1, \dots, m_0 \quad (27)$$

$$F_s^{\nu i} \geq F_k^{\pi_\nu(i,k)} + \tau^r; \nu=1, \dots, \mathfrak{N}; i=1, \dots, m_0 - 1; k=1, \dots, i \quad (28)$$

$$F_f^{\nu i} \geq F_k^{\pi_\nu(O_\nu \mu_\nu + m_0 - i, k)} + \tau^r; \nu=1, \dots, \mathfrak{N}; i=2, \dots, m_0; k=i, \dots, m_0 \quad (29)$$

$$\sum_{\nu=1}^{\mathfrak{N}} (O_\nu \sum_{i=1}^{\mu_\nu} F^{\nu i} + \sum_{i=1}^{m_0-1} F_s^{\nu i} + \sum_{i=2}^{m_0} F_f^{\nu i} - \sum_{i=\mu_\nu-m_0+2}^{\mu_\nu} F^{\nu i}) \leq T_0 \quad (30)$$

$$X_{pkl} \in \{0,1\}; p \in \mathbf{N}'; k=1, \dots, m_0; l=1, \dots, b_0 \quad (31)$$

$$Y_{kj}^d \in \{0,1\}; k=1, \dots, m_0; d=1, \dots, d_0; j=1,2 \quad (32)$$

$$Y_{kjl}^d \in \{0,1\}; k=1,\dots,m_0; j=1,2; l=1,\dots,b_0; d=1,\dots,d_0 \quad (33)$$

$$Y_{kjl} \in \{0,1\}; k=1,\dots,m_0; j=1,2; l=1,\dots,b_0 \quad (34)$$

$$Y_{1\min}, Y_{1\max} \in \{0,1,\dots, m_0\}; k=1,\dots,m_0; j=1,2; l=1,\dots,b_0 \quad (35)$$

$$Z_k \in \{0,1\}; k=1,\dots,m_0 \quad (36)$$

$$F_{kjl}^d \in [0, \bar{t}_k^d - \tau^r]; k=1,\dots,m_0; j=1,2; l=1,\dots,b_0; d=1,\dots,d_0 \quad (37)$$

$$F_k^d \in [0, \bar{t}_k^d - \tau^r]; k=1,\dots,m_0; d=1,\dots,d_0 \quad (38)$$

$$F^{\nu i} \in [\underline{t}^{\nu i}, \bar{t}^{\nu i}]; \nu=1,\dots,\aleph; i=1,\dots,\mu_\nu \quad (39)$$

$$F_s^{\nu i} \in [\max\{\underline{t}^{\pi_\nu(i,k)} \mid k=1,\dots,i\}, \max\{\bar{t}_k^{\pi_\nu(i,k)} \mid k=1,\dots,i\}]; \nu=1,\dots,\aleph; i=1,\dots,m_0-1 \quad (40)$$

$$F_f^{\nu i} \in [\max\{\underline{t}^{\pi_\nu(O_\nu \mu_\nu^{-i,k})} \mid k=i,\dots,m_0\}, \max\{\bar{t}_k^{\pi_\nu(O_\nu \mu_\nu^{-i,k})} \mid k=i,\dots,m_0\}]; \nu=1,\dots,\aleph; i=2,\dots,m_0 \quad (41)$$

where $\underline{t}^d = \min\{\lambda(p)/\gamma_2(p) + \tau^a + \tau^r \mid p \in \mathbf{N}^d\}$, $\underline{t}^{\nu i} = \max\{\underline{t}^{\pi_\nu(m_0-2+i,k)} \mid k=1,\dots,m_0\}$,

$$\bar{t}^{\nu i} = (T_0 - O_\nu \sum_{\nu'=1, \nu' \neq \nu}^{\aleph} \sum_{i'=1}^{\mu_{\nu'}} \underline{t}^{\nu' i'}) / O_\nu - \sum_{i'=1, i' \neq i}^{\mu_\nu} \underline{t}^{\nu i'}$$
 and

$$\bar{t}_k^d = \max\{\bar{t}^{\nu i} \mid \nu=1,\dots,\aleph, i=1,\dots,\mu_\nu, \pi_\nu(m_0-2+i,k) = d\}.$$

Since the considered problem is a generalization of the design problem for a single product, the considered optimization problem is also NP-hard. As a consequence, a heuristic approach is needed for large scale instances.

3.2 Heuristic approach

The overall heuristic approach is based on comparing two design solutions which use a spindle head or a turret for vertical machining. The second one is obtained by finding the best partitions of \mathbf{N}_1 and \mathbf{N}_2 to vertical and horizontal machining modules separately and then combining these partitions appropriately.

Ten versions of the algorithm named SAO (Sequential Assignment of Operations) are developed in order to assign the machining operation to the machining modules. At each iteration, the algorithm creates machining modules of the current position step by step. At the beginning, taking into account precedence and exclusion constraints on positions, list In of operations which are potentially assignable to a current machining module is created. Then, list In is modified in accordance with the inclusion constraints.

Then, one operation or several operations (if required by inclusion constraints) are chosen to be assigned to a current machining module. If it is not possible, a new machining module is created. After the

operation assignment, list In is modified and the assignment process is repeated. If list In is empty or b_0 machining modules have been already created, the current position is closed and the productivity constraint is checked. If this constraint is not satisfied, the algorithm starts from the beginning (creation of the first position). The iteration is considered unsuccessful if after the creation of m_0 positions not all the operations from \mathbf{N} have been assigned.

Let TR_{tot} be the current number of iterations, TR_{nimp} be the number of iterations without solution improvement, C be the cost of the current solution, and C_{min} be the cost of the best solution. The following Algorithm tries to assign operations from \mathbf{N}_1 to a vertical spindle head common for several positions and operations from \mathbf{N}_2 to horizontal spindle heads and turrets.

Algorithm.

Step 1. Let $C_{min} = \infty$, $TR_{tot} = 0$, $TR_{nimp} = 0$.

Step 2. Let $C=0$, $N^a = \emptyset$, $m=0$.

Step 3. Let $m=m+1$. If $m > m_0$, then let $C=\infty$ and go to *Step 12*. Otherwise let $N_{m11} = N_{m21} = \emptyset$, $b_{m1} = b_{m2} = 0$, $N^{na} = \emptyset$.

Step 4. Put in list In all non-assigned predecessors of operations op in set N^a . If list In is empty, then set $C=\infty$ and go to *Step 12*.

Step 5. Choose op from list In . Set $N=\{op\}$. Include into N all the operations which are linked with operation op by any inclusion constraints on position, turret, machining module or tool and all their predecessors. Save current state of b_{m2} , N_{m11} and N_{m2l} , $l=1, \dots, b_{m2}$.

Step 6. If set $N \cap \mathbf{N}_1 \cup N_{m11}$ cannot be assigned to the same machining module, then set $N^{na} = N^{na} \cup N$ and go to *Step 9*. Otherwise set $N_{m11} = N_{m11} \cup (N \cap \mathbf{N}_1)$.

Step 7. Divide set $N \cap \mathbf{N}_2$ into subsets N^{2i} , $i=1, 2, \dots, n_2$, which should be executed in one machining module or by the same tool. If set N^{2i} can be executed in one machining module with N_{m2l} , for some $l \in \{1, \dots, b_{m2}\}$, then let $N_{m2l} = N_{m2l} \cup N^{2i}$ and go to *Step 8*. If $b_{m2} = b_0$, then let $N^{na} = N^{na} \cup N$ and go to *Step 9*. Otherwise let $b_{m2} = b_{m2} + 1$ and $N_{m2l} = N^{2i}$ for $l = b_{m2}$.

Step 8. Compute $T(P)$ for $N_{dkjl} = N_{kjl} \cap \mathbf{N}^d$ and $\Gamma_{dkjl} = [\min \{\gamma_2(p) | p \in N_{dkjl}\}]$. If $T(P) > T_0$, then restore the saved state of b_{m2} , N_{m11} and N_{m2l} , $l=1, \dots, b_{m2}$ as well as let $N^{na} = N^{na} \cup N$. Otherwise let $N^a = N^a \cup N$.

Step 9. Include in list In each operation op from $\mathbf{N} \setminus N^{na} \setminus N^a$ that satisfy precedence constraints for set N^a and exclusion constraints for set $\bigcup_{j=1}^2 \bigcup_{l=1}^{b_{kj}} N_{mjkl}$. If list In is not empty, then go to *Step 5*. Otherwise let

$b_{m1} = 1$ if $N_{m11} \neq \emptyset$.

Step 10. If N^a does not include all the operations from \mathbf{N} , then go to *Step 2*.

Step 11. Compute $C=Q(P)$.

Step 12. If $C_{min} > C$, then set $C_{min} = C$, $TR_{nimp} = 0$ and keep the current solution as the best, set $TR_{nimp} = TR_{nimp} + 1$, otherwise.

Step 13. Set $TR_{tot} = TR_{tot} + 1$.

Step 14. Stop if one of the following conditions holds:

- a given solution time is exceeded;

- TR_{tot} is greater than the maximum number of iterations authorized;
- TR_{nimp} is greater than a given value;
- C_{min} is lower than a given cost value.

Go to *Step 2*, otherwise.

This algorithm can also be applied for assigning operations from N_1 to a vertical turret by employing in the algorithm $m_0=1$, $N_2=N_1$ and $N_1=\emptyset$. Then, the obtained assignment should be combined with the assignment of N_2 by checking precedence and productivity constraints.

If there are several operations in list *In* at *Step 5*, operation *op* can be chosen in different ways. In this paper, ten of them are tested and compared.

SAO1 selects any *op*;

SAO2 selects *op* with inclusion constraints;

SAO3 selects *op* with the maximal number of successors;

SAO4 selects *op* with the minimal number of successors;

SAO5 selects *op* with the maximal number of operations not to be executed in one machining module;

SAO6 selects *op* with the minimal number of operations not to be executed in one machining module;

SAO7 selects *op* with the maximal execution time;

SAO8 selects *op* with the minimal execution time;

SAO9 selects randomly one of rules 1 – 8;

SAO10 selects randomly one of rules 1, 2, 3, 5, 7.

If there is still a tie, then one of the equally ranked candidates is chosen at random. In the next section, these heuristics are applied to an industrial example.

4. An industrial example

The following 6 parts are to be machined (Fig. 2 - 6). Elements of the first five parts are located on two sides and elements of the sixth part are located on one side. Parameters of operations are presented in Table 1. The available time T_0 is 288 min. The first family consists of the first 4 parts with output $O_1=16$ and the loading sequence $\{1,2,3,4\}$. The second family includes 5-th and 6-th parts with output $O_2=12$ and the loading sequence $\{5,5,6,6\}$. Other parameters are: $\tau^a = \tau^g = \tau^r = 0.1$ min, $C_1=10$, $C_2=5$, $C_3=2$, $C_4=4$, $C_5=2$. The possible orientations of the parts are the following: $\mathbf{H}(1)=\mathbf{H}(2)=\mathbf{H}(3)=\mathbf{H}(4)=\mathbf{H}(5)=\begin{pmatrix} 1,2 \\ 2,1 \end{pmatrix}$, $\mathbf{H}(6)=\begin{pmatrix} 1 \\ 2 \end{pmatrix}$. The total number of feasible orientations of all parts is $64=2^6$.

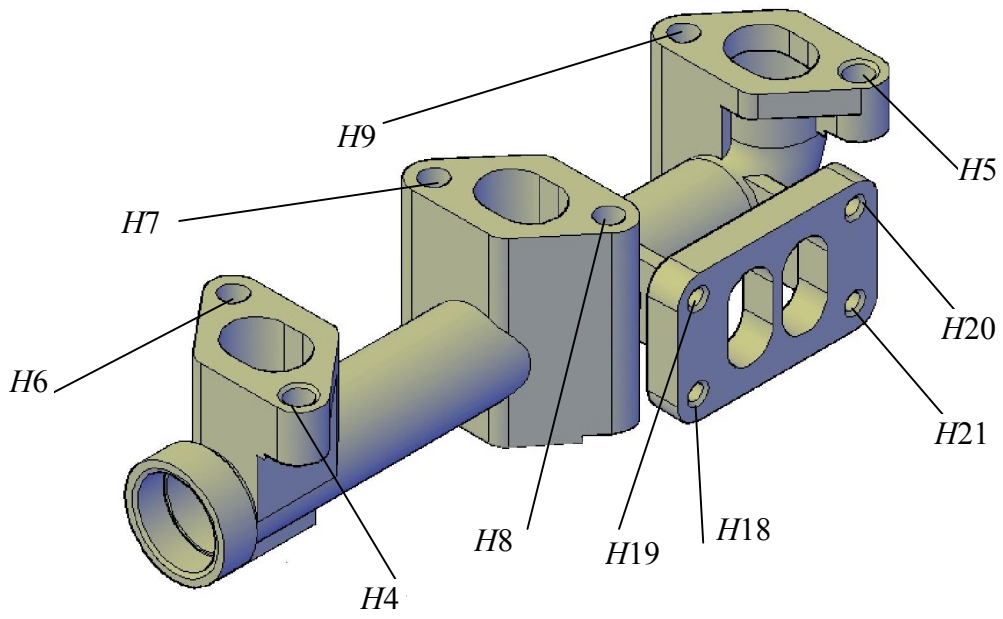


Fig. 2 The first part to be machined

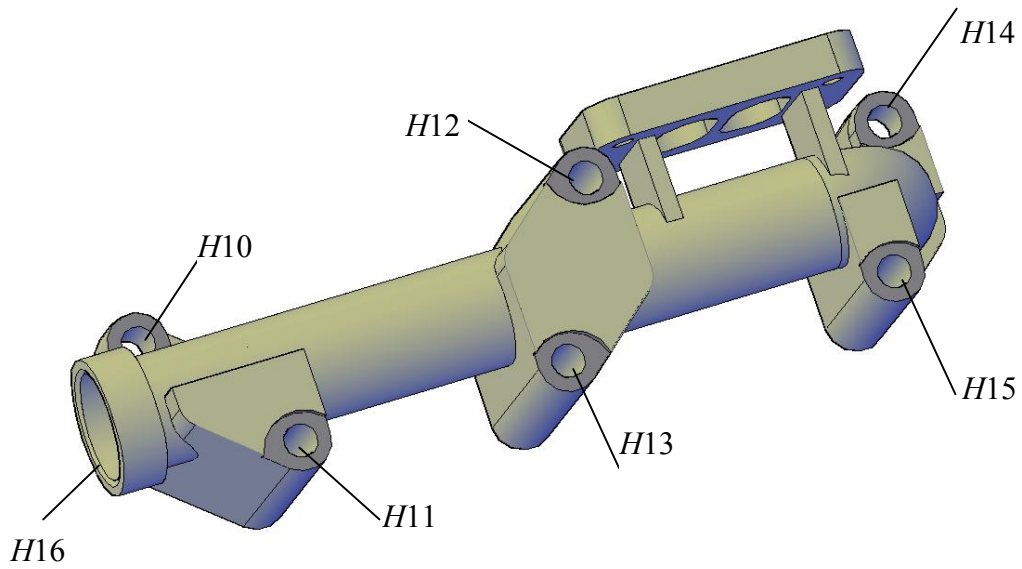


Fig.3. The second part to be machined

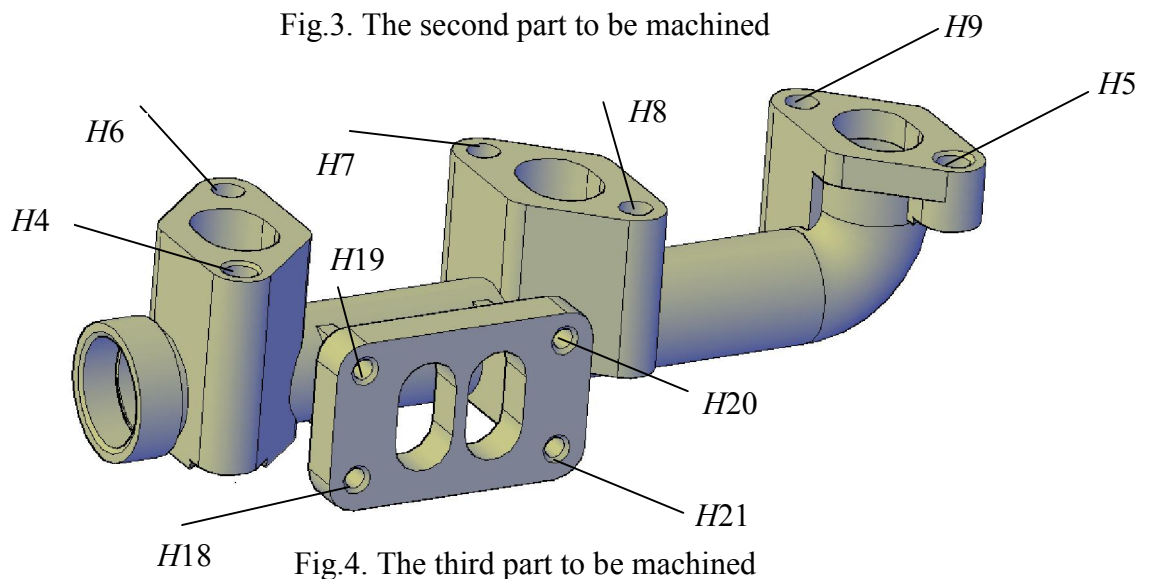


Fig.4. The third part to be machined

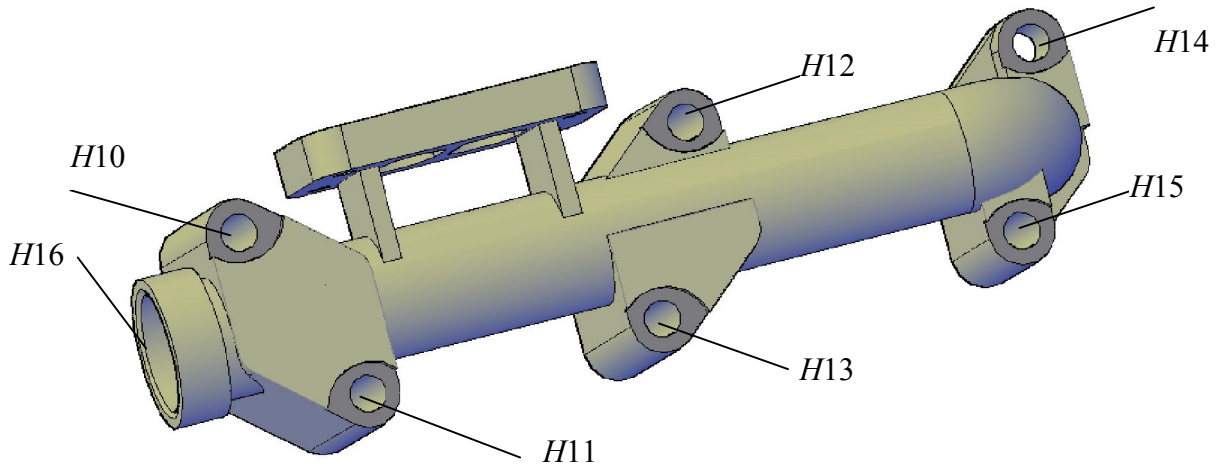


Fig.5. The fourth part to be machined

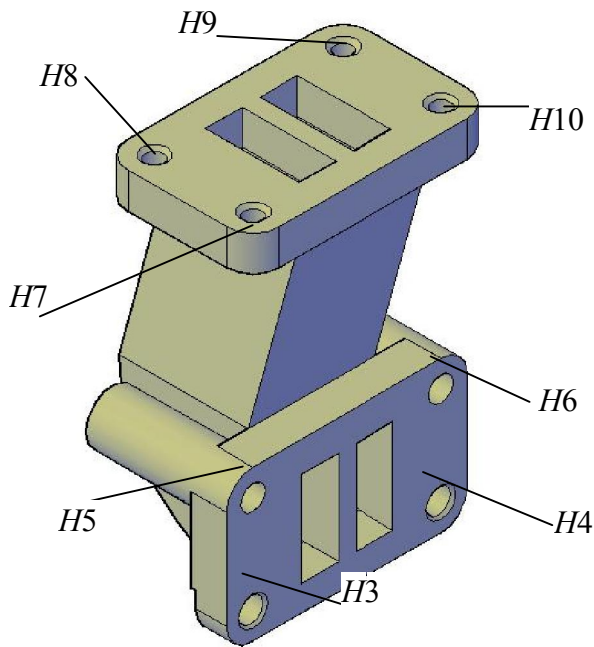


Fig.6. The fifth part to be machined

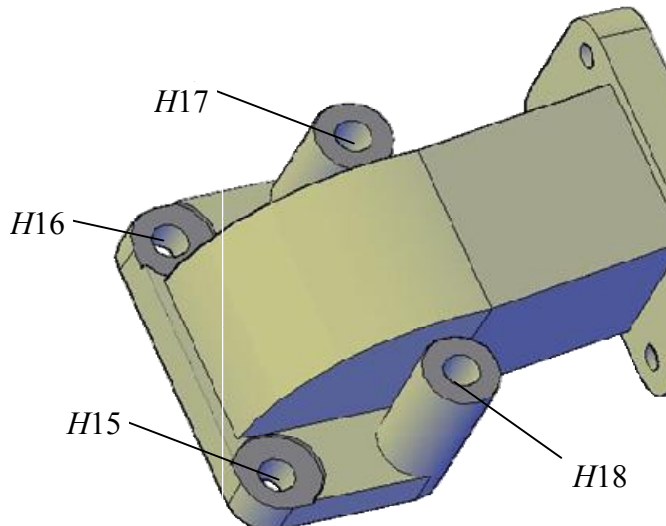


Fig.7. The sixth part to be machined

Table 1. Operations and their parameters

p	Hole	Part	Side	$\lambda(p)$, mm	$\gamma_1(p)$, mm/min	$\gamma_2(p)$, mm/min	p	Hole	Part	Side	$\lambda(p)$, mm	$\gamma_1(p)$, mm/min	$\gamma_2(p)$, mm/min
1	H4	1	1	47	39.2	62.9	41	H9	3	1	77	22.8	81.3
2	H4	1	1	34	27.2	248	42	H9	3	1	75	44	86.5
3	H5	1	1	47	39.2	62.9	43	H18	3	2	29	24.6	83.6
4	H5	1	1	34	27.2	248	44	H18	3	2	9	28.3	106.3
5	H6	1	1	107	22.8	81.3	45	H19	3	2	29	24.6	83.6
6	H6	1	1	105	44	86.5	46	H19	3	2	9	28.3	106.3
7	H7	1	1	107	22.8	81.3	47	H20	3	2	29	24.6	83.6
8	H7	1	1	105	44	86.5	48	H20	3	2	9	28.3	106.3
9	H8	1	1	107	22.8	81.3	49	H21	3	2	29	24.6	83.6
10	H8	1	1	105	44	86.5	50	H21	3	2	9	28.3	106.3
11	H9	1	1	91	22.8	81.3	51	H16	4	1	35	50.2	170.1
12	H9	1	1	89	44	86.5	52	H16	4	1	19	31.9	197.1
13	H18	1	2	29	24.6	83.6	53	H16	4	1	19	26.9	161.6
14	H18	1	2	9	28.3	106.3	54	H16	4	1	18	26.7	160.2
15	H19	1	2	29	24.6	83.6	55	H10	4	2	7	35.2	105.6
16	H19	1	2	9	28.3	106.3	56	H11	4	2	7	35.2	105.6
17	H20	1	2	29	24.6	83.6	57	H12	4	2	7	35.2	105.6
18	H20	1	2	9	28.3	106.3	58	H13	4	2	7	35.2	105.6
19	H21	1	2	29	24.6	83.6	59	H14	4	2	7	35.2	105.6
20	H21	1	2	9	28.3	106.3	60	H15	4	2	6	35.2	105.6
21	H16	2	1	35	50.2	170.1	61	H3	5	1	34	37.7	63.4
22	H16	2	1	19	31.9	197.1	62	H3	5	1	22	27.8	249.5
23	H16	2	1	19	26.9	161.6	63	H4	5	1	34	37.7	63.4
24	H16	2	1	18	26.7	160.2	64	H4	5	1	22	27.8	249.5
25	H10	2	2	6	35.2	105.6	65	H5	5	1	72	22.8	81.3
26	H11	2	2	7	35.2	105.6	66	H5	5	1	70	48.7	91
27	H12	2	2	7	35.2	105.6	67	H6	5	1	72	22.8	81.3
28	H13	2	2	7	35.2	105.6	68	H6	5	1	70	48.7	91
29	H14	2	2	6	35.2	105.6	69	H7	5	2	24	24.6	83.6
30	H15	2	2	6	35.2	105.6	70	H7	5	2	9	28.3	106.3
31	H4	3	1	103	39.2	62.9	71	H8	5	2	24	24.6	83.6
32	H4	3	1	18	27.2	248	72	H8	5	2	9	28.3	106.3
33	H5	3	1	47	39.2	62.9	73	H9	5	2	24	24.6	83.6
34	H5	3	1	34	27.2	248	74	H9	5	2	9	28.3	106.3
35	H6	3	1	92	22.8	81.3	75	H10	5	2	24	24.6	83.6
36	H6	3	1	90	44	86.5	76	H10	5	2	9	28.3	106.3
37	H7	3	1	92	22.8	81.3	77	H15	6	1	5	42.7	128.2
38	H7	3	1	90	44	86.5	78	H16	6	1	5	42.7	128.2
39	H8	3	1	77	22.8	81.3	79	H17	6	1	5	42.7	128.2
40	H8	3	1	75	44	86.5	80	H18	6	1	5	42.7	128.2

Precedence constraints, exclusion constraints for machining modules, turrets and working positions are presented in Tables 2, 3, 4 and 5, respectively. Inclusion constraints for machining modules are given in Table 6. Operations to be executed by the same spindle are presented in Table 7.

Table 2. Precedence constraints

Operation	Predecessors	Operation	Predecessors
2	1 3 31 33	40	5 7 9 11 35 37 39 41
4	1 3 31 33	42	9 11 39 41
6	5 7 9 35 37 39	44	43 45
8	5 7 9 35 37 39	46	43 45
10	5 7 9 11 35 37 39 41	48	47 49
12	9 11 39 41	50	47 49
14	13 15 17 19	52	21 51
16	13 15 17 19	53	22 52
18	13 15 17 19	54	23 53
20	13 15 17 19	62	61 63
22	21 51	64	61 63
23	22 52	66	65 67
24	23 53	68	65 67
32	1 3 31 33	70	69 71 73 75
34	1 3 31 33	72	69 71 73 75
36	5 7 9 35 37 39	74	69 71 73 75
38	5 7 9 35 37 39	76	69 71 73 75

Table 3. Incompatibility of operations in machining modules

Op	Incom	Op	Incom	Op	Incom	Op	Incom
2	1	23	21 22	43	1-12, 31-42=*	63	25-30, 55-60
4	3	24	21-23	44	1-12, 31-42, 43	64	63
6	5	25-30	1 3 21-24	45	1-12, 31-42	66	65
8	7	31	2 13-20 25-30	46	1-12, 31-42, 45	68	67
10	9	32	1 13-20 31	47	1-12, 31-42	69	61-68
12	11	33	4 13-20 25-30	48	1-12, 31-42, 47	70	61-69
13	1-12	34	3 13-20 33	49	1-12, 31-42	71	61-68
14	1-13	35	6 13-20	50	1-12, 31-42, 49	72	61-68 71
15	1-12	36	5 13-20 35	51	22-30	73	61-68
16	1-12 15	37	8 13-20	52	21 23-30 51	74	61-68 73
17	1-12	38	7 13-20 37	53	21 22 24-30 51	75	61-68
18	1-12 17	39	10 13-20	54	52 21-23 25-30, 51-53	76	61-68 75
19	1-12	40	9 13-20 39	55-60	1 3 21-24 31 33 51-54	77 78	1 3 13 15 17 19 31 33 43 45 47 49 61 63=**
20	1-12 19	41	12-20	61	25-30, 55-60	79	** , 77
22	21	42	11 13-20 41	62	61	80	** , 78

Table 4. Incompatibility of operations in turrets

Operations	Incompatible operations
13-20	1-12
25-30	21-24
31-42	13-20
43-50	1-12, 31-42
51-54	25-30
55-60	21-24, 51-54
69-76	61-68
77-80	21 51

Table 5. Incompatibility of operations in working positions

Operations	Incompatible operations
21	1-20
25-30	1 3 21
31	21-30
32	21
33	21-30
34-50	21
51	1-20, 25-50
55-60	1 3 21 31 33 51
61 63	25-30 55-60
69-76	21 51
77-80	1 3 13 15 17 19 31 33 43 45 47 49 61 63

Table 6. Operations to be assigned to the same machining module

Operation	Operations to be in the same machining module	Operation	Operations to be in the same machining module
1	3	40	42
5	7 9	43	45
6	8 10	47	49
13	15 17 19	61	63
35	37	65	67
36	38	66	68
39	41	69	71 73 75

Table 7. Operations to be executed by the same spindle

Operation	Operations to be executed by the same spindle	Operation	Operations to be executed by the same spindle
1	31	12	42
2	32	21	51
3	33	22	52
4	34	23	53
5	35	24	54
6	36	25	55
7	37	26	56
8	38	27	57
9	39	28	58
10	40	29	59
11	41	30	60

The total number of feasible orientations of all the parts was reduced to 16 due to the inclusion constraints (Table 7). The academic version of solver CPLEX 12.2 was used to solve the corresponding problems (1) – (41) for each combination of part orientations, but only one combination of part orientations resulted in a feasible system configuration. The obtained results are presented in Table 8. This solution was found in 0.56 seconds. The unfeasibility of 14 problems was discovered in 0.33 seconds on average. However, for one problem, 1.2 seconds were necessary to prove the unfeasibility of the problem. The total solution time was 6.5 seconds. The number of variables in MIP models was equal to 864.

The obtained optimal solution and its characteristics are presented in Tables 8 and 9. The vertical spindle head is common for positions 1, 2 and 3. Parts 1, 3, 5 are machined at position 1, part 6 is machined at position 2, and all the parts are machined at position 3. At position 1, there is a horizontal turret with 2 machining units (the first one is used for parts 1, 3, 5 and the second one is used for parts 1, 3). At position 2, there is a horizontal turret with 4 machining units which are used for machining parts 2, 4, and 5. The total time $T(P)$ is equal to $16(3.18+0.28+3.41+0.28)+(3.41+0.1)+(0.28+3.18)-(3.41+0.28)+12(2.54+0.31+0.94+2.54)+(0.94+2.54)+(0.94+0.26)-(0.94+2.54)= 194.84$ min.

Table 8. An optimal solution

Set N_{dkjl}	Operations of N_{dkjl}	$L(N_{dkjl})$	γ_{dkjl}	$t^b(P_{dkjl})$
N_{1111}	13 15 17 19	29	83.6	0.45
N_{3111}	43 45 47 49	29	83.6	0.45
N_{5111}	69 71 73 75	24	83.6	0.39
N_{1121}	1 3 5 7 9 11	107	62.9	1.8
N_{3121}	31 33 35 37 39 41	103	62.9	1.74
N_{5121}	61 63	34	63.4	0.64
N_{1122}	2 4 6 8 10 12	105	86.5	1.31
N_{3122}	32 34 36 38 40 42	90	86.5	1.14
N_{6211}	79 80	5	83.6	0.16
N_{2221}	21	35	170.1	0.36
N_{4221}	51	35	170.1	0.36
N_{5221}	65 67	72	81.3	0.99
N_{2222}	22	19	197.1	0.2
N_{4222}	52	19	197.1	0.2
N_{2223}	23	19	161.6	0.22
N_{4223}	53	19	161.6	0.22
N_{5223}	62	22	249.5	0.19
N_{2224}	24	18	160.2	0.21
N_{4224}	54	18	160.2	0.21
N_{5224}	64 66 68	70	91	0.87
N_{1311}	14 16 18 20	9	83.6	0.21
N_{2311}	25 26 27 28 29 30	7	83.6	0.18
N_{3311}	44 46 48 50	9	83.6	0.21
N_{4311}	55 56 57 58 59 60	7	83.6	0.18
N_{5311}	70 72 74 76	9	83.6	0.21
N_{6311}	77 78	5	83.6	0.16

Table 9. Characteristics of the solution

Position k	$t^p(P_{1k})$	$t^p(P_{2k})$	$t^p(P_{3k})$	$t^p(P_{4k})$	$t^p(P_{5k})$	$t^p(P_{6k})$
1	3.41	0.1	3.18	0.1	0.94	0.1
2	0.1	1.49	0.1	1.49	2.54	0.26
3	0.31	0.28	0.31	0.28	0.31	0.26

5. Experimental study

The purpose of this study is to evaluate the effectiveness of the proposed techniques. There were generated series of 100 test instances for batches of 4, 6, 8 and 10 parts . Their characteristics are presented in Table 10, where $|N|$ is the number of operations, OSP is the order strength of precedence constraints, DM, DT, DP, SS, and SM are the densities of graphs G^{DM} , G^{DT} , G^{DP} , G^{SS} , and G^{SM} respectively, LS is the sum of lengths of loading sequences, NF is the number of families. Constraints were generated using tools developed previously [5]. Experiments were carried out on ASUS notebook (1.86 Ghz, 4 Gb RAM) with academic version of CPLEX 12.2.

Table 10

Parameters of problems for 4 parts

Parameters of problems	$ N $	OSP	DM	DT	DP	SS	SM	$m0+1$	LS	NF
Minimal value	44	0.034	0.064	0.026	0	0.027	0	4	8	2
Maximal value	95	0.525	0.659	0.659	0.242	0.051	0.016	8	16	2
Average value	69	0.106	0.373	0.348	0.024	0.036	0.004	6	12	2

Parameters of problems for 6 parts

Parameters of problems	$ N $	OSP	DM	DT	DP	SS	SM	$m0+1$	LS	NF
Minimal value	89	0.029	0.003	0.002	0	0.024	0	3	6	2
Maximal value	159	0.471	0.462	0.462	0.205	0.031	0.057	9	18	2
Average value	124	0.29	0.228	0.197	0.027	0.027	0.016	6	12	2

Parameters of problems for 8 parts

Parameters of problems	$ N $	OSP	DM	DT	DP	SS	SM	$m0+1$	LS	NF
Minimal value	118	0.023	0.003	0.002	0	0.024	0	3	8	2
Maximal value	216	0.456	0.438	0.417	0.214	0.033	0.057	10	20	2
Average value	165	0.288	0.197	0.168	0.025	0.028	0.017	6	12	2

Parameters of problems for 10 parts

Parameters of problems	$ N $	OSP	DM	DT	DP	SS	SM	$m0+1$	LS	NF
Minimal value	251	0.023	0.025	0.02	0	0.014	0	4	12	2
Maximal value	255	0.062	0.58	0.588	0.194	0.026	0.005	9	27	3
Average value	254	0.04	0.326	0.3	0.031	0.019	0.001	7	18	2.5

In Table 11 we compare results for CPLEX12.2 (maximal solution time 3600 sec) with SAO1 – SAO8 for $TR_{nimp} = 500$, $C_{min} = 0$. TR_{tot} was set to 1000 for SAO1 and SAO2 and 200 for SAO3-SAO8. Only the best heuristic results are provided in Table 11. In this table NSOL is the number of problems with a founded feasible solution, NOPT is the number of problems with proven optimality, AVT is the average solution time (in sec), AVED and MAXD are average, and maximal deviations (in percents) of the found value of the objective function from the best known respectively. Minimal deviation was 0 for all instances.

Table 11 Comparison of the results obtained with CPLEX and SAO1-SAO10

	METH	NSOL	NOPT	AVT	AVED	MAXD
4 parts	SAO1	100	53	12.9	2.55	12.50
	SAO10	100	53	13.8	2.55	12.50
	CPLEX	100	100	50.4	0.00	0.00
6 parts	SAO1	100	27	26.3	5.38	19.44
	SAO9	100	27	29.8	5.37	19.44
	SAO10	100	27	27.3	5.29	19.44
	CPLEX	100	95	600.1	0.00	0.00
8 parts	SAO1	100	20	10.9	5.90	18.52
	SAO9	100	20	71.0	6.03	18.52
	SAO10	99	20	43.5	5.93	18.52
	CPLEX	97	77	1285	0.01	1.12
10 parts	SAO1	100	21	98.9	2.48	11.34
	SAO9	100	21	96.6	2.63	11.76
	SAO10	100	21	125.4	2.48	11.34
	CPLEX	74	54	1564	1.00	17.71

These results show that the CPLEX solutions remain time-efficient for the problems with up to 6 different parts. For the problems with more parts to be produced, the heuristics can be used in the cases where CPLEX does not provide optimal solution or any solution at all. It can be noted that MAXD is superior for CPLEX solutions (a feasible solution found but not optimal) than for heuristic solutions. As a conclusion, both developed approaches are usefull in practice to treat different industrial cases.

5 Conclusion

The use of reconfigurable machining equipment can be an efficient response to increasing global competition and unpredictable market changes. Due to the physical structure that can be easily changed, the machining configuration can be optimized for each particular part family. The use of the optimization methods at this stage helps to reduce the total design time and to promptly discard unfeasible solutions. This paper proposed a decision support approach for the design of reconfigurable rotary machining systems with turrets used for producing several families of parts. The complex design constraints such as

compatibility and productivity requirements as well as design objectives were modeled within a mixed integer program. The model allows taking efficient decisions about part orientations, selection of machining modules and configuration/reconfiguration of working positions depending on the part families to be produced. The approach was validated on industrial case studies and one of these industrial examples was illustrated in the paper. The conducted study showed that the solution time to find the best cost-efficient machine configuration respecting all given constraints remains acceptable for the machine designers. Further development will concern the design of reconfigurable machining lines consisting of several reconfigurable machines. In order to evaluate the dynamic behaviour of the system, further studies should be conducted in order to develop appropriate simulation models and the integration scheme to combine optimization and simulation techniques in an efficient design scheme.

REFERENCES

- [1] Abbasi, M., Houshmand, M. (2011) Production planning and performance optimization of reconfigurable manufacturing systems using genetic algorithm. *International Journal of Advanced Manufacturing Technology*, 54(1–4), 373-392.
- [2] Agrawal, T., Sao, A., Fernandes, K.J., Tiwari, M.K., Kim, D. Y. (2013) A hybrid model of component sharing and platform modularity for optimal product family design, *International Journal of Production Research*, 51(2), 614-625.
- [3] Battaïa, O., Brissaud, D., Dolgui, A., Guschinsky, N. (2015) Variety-oriented design of rotary production systems. *CIRP Annals - Manufacturing Technology*, 64(1), 411-414.
- [4] Battaïa, O., Dolgui, A., Guschinsky, N., Levin, G. (2014) Integrated configurable equipment selection and line balancing for mass production with serial–parallel machining systems. *Engineering Optimisation*, 46(10), 2014, 1369-1388.
- [5] Battaïa, O., Dolgui, A., Guschinsky, N., Levin, G. (2012) A decision support system for design of mass production machining lines composed of stations with rotary or mobile table. *Robotics and Computer-Integrated Manufacturing*, 28, 672-680.
- [6] Battaïa, O., Dolgui, A., Guschinsky, N., Levin, G. (2012) Optimal design of machines processing pipeline parts. *International Journal of Advanced Manufacturing Technology*, 63, 963-973.
- [7] Battaïa, O., Dolgui, A., Guschinsky, N., Levin, G. (2014) Combinatorial techniques to optimally customize an automated production line with rotary transfer and turrets. *IIE Transactions*, 46, 867-879.

- [8] Bensmaine, A., Dahane M., Benyoucef. L. (2014) A new heuristic for integrated process planning and scheduling in reconfigurable manufacturing systems, *International Journal of Production Research*, 52(12), 3583-3594.
- [9] Bi, Z. M., Lang, S. Y. T., Shen, W., Wang, L. (2008) Reconfigurable manufacturing systems: the state of the art, *International Journal of Production Research*, 46(4), 967-992.
- [10] Borisovsky, P. A., Delorme X., Dolgui A. (2014) Balancing reconfigurable machining lines via a set partitioning model, *International Journal of Production Research*, 52(13), 4026-4036.
- [11] Dou, J., Dai, X., Meng, Z. (2010) Optimisation for multi-part flow-line configuration of reconfigurable manufacturing system using GA. *International Journal of Production Research*, 48(14), 4071–4100.
- [12] ElMaraghy H.A., Schuh G., ElMaraghy W., Piller F., Schönsleben P., Tseng M., Bernard A. (2013) Product Variety Management. *CIRP Annals – Manufacturing Technology*, 62, 629–652.
- [13] Essafi, M., Delorme, X., Dolgui, A. (2012) A reactive GRASP and Path Relinking for balancing reconfigurable transfer lines, *International Journal of Production Research*, 50(18), 5213-5238.
- [14] Goyal, K. K., Jain P.K., Jain, M. (2012) Optimal configuration selection for reconfigurable manufacturing system using NSGA II and TOPSIS, *International Journal of Production Research*, 50, 4175-4191.
- [15] Goyal, K. K., Jain P.K., Jain, M. (2013) A comprehensive approach to operation sequence similarity based part family formation in the reconfigurable manufacturing system, *International Journal of Production Research*, 51 (6), 1762-1776
- [16] Gumasta, K., Gupta, S.K., Benyoucef L., Tiwari M.K. (2011) Developing a reconfigurability index using multi-attribute utility theory. *International Journal of Production Research*, 49(6), 1669-1683.
- [17] Guschinskaya, O., Dolgui, A., Guschinsky, N., Levin, G. (2009) Minimizing makespan for multi-spindle head machines with a mobile table. *Computers and Operations Research*, 36 (2), 344–357.
- [18] Gwangwava, N., Mpofu, K., Tlale, N., Yu, Y. (2014) A methodology for design and reconfiguration of reconfigurable bending press machines (RBPMs), *International Journal of Production Research*, 52(20), 6019-6032.
- [19] Koren Y. (2013) The Rapid Responsiveness of RMS. *International Journal of Production Research*, 51(23–24), 6817–6827.
- [20] Koren Y., Heisel U., Jovane F., Moriwaki T., Pritschow G., Ulsoy G., Van Brussel H. (1999) Reconfigurable Manufacturing Systems. *CIRP Annals – Manufacturing Technology*, 48(2), 527–540.

- [21] Koren, Y., Shpitalni, M. 2010 Design of reconfigurable manufacturing systems. *Journal of Manufacturing Systems*, 29(4), 130-141.
- [22] Koren, Y., Wang, W., Gu, X. (2016) Value creation through design for scalability of reconfigurable manufacturing systems, *International Journal of Production Research*, In Press.
- [23] Kristianto, Y.; Gunasekaran, A. & Jiao, J. (2014) Logical reconfiguration of reconfigurable manufacturing systems with stream of variations modelling: a stochastic two-stage programming and shortest path model, *International Journal of Production Research*, 52, 1401-1418
- [24] Liu, W., Liang, M. (2008) Multi-objective design optimization of reconfigurable machine tools: a modified fuzzy-Chebyshev programming approach, *International Journal of Production Research*, 46(6), 1587-1618.
- [25] Makssoud, F., Battaïa, O., Dolgui, A. (2014) An exact optimization approach for a transfer line reconfiguration problem. *International Journal of Advanced Manufacturing Technology* 72, 717-727.
- [26] Mpofo, M. K., Tlale N. (2014) A morphology proposal in commercial-off-the-shelf reconfigurable machine tools, *International Journal of Production Research*, 52(15), 4440-4455.
- [27] Renzi, C., Leali, F., Cavazzuti, M., Andrisano, A. O. (2014) A review on artificial intelligence applications to the optimal design of dedicated and reconfigurable manufacturing systems, *International Journal of Advanced Manufacturing Technology*, 72(1-4), 403-418.
- [28] Saxena, L.K., Jain, P.K. (2012) A model and optimisation approach for reconfigurable manufacturing system configuration design, *International Journal of Production Research*, 50(12), 3359-3381.
- [29] Singh, R. K., Khilwani, N., Tiwari, M. K. (2007) Justification for the selection of a reconfigurable manufacturing system: a fuzzy analytical hierarchy based approach. *International Journal of Production Research*, 45(14), 3165-3190.
- [30] Tolio T., Urgo M. (2013) Design of flexible transfer lines: A case-based reconfiguration cost assessment. *Journal of Manufacturing Systems*, 32(2), 325-334.