



HAL
open science

Building a CAD system for educational purpose based only on a mesh tool and a finite elements solver

Yvan Lefèvre, Julien Fontchastagner, Frédéric Messine

► To cite this version:

Yvan Lefèvre, Julien Fontchastagner, Frédéric Messine. Building a CAD system for educational purpose based only on a mesh tool and a finite elements solver. *IEEE Transactions on Magnetics*, 2006, 42 (4), pp.1483-1486. 10.1109/TMAG.2006.871435 . hal-01522928

HAL Id: hal-01522928

<https://hal.science/hal-01522928>

Submitted on 15 May 2017

HAL is a multi-disciplinary open access archive for the deposit and dissemination of scientific research documents, whether they are published or not. The documents may come from teaching and research institutions in France or abroad, or from public or private research centers.

L'archive ouverte pluridisciplinaire **HAL**, est destinée au dépôt et à la diffusion de documents scientifiques de niveau recherche, publiés ou non, émanant des établissements d'enseignement et de recherche français ou étrangers, des laboratoires publics ou privés.

Building a CAD System for Educational Purpose Based Only on a Mesh Tool and a Finite Elements Solver

Yvan Lefèvre, Julien Fontchastagner, and Frédéric Messine

LEEI-ENSEEIH-T-INPT, UMR CNRS 5828, Toulouse Cédex 31071, France

The article discusses about the use of finite elements method (FEM) software in order to help lecturer to teach design of electrical machines. Nowadays, lecturers have less and less time to teach the design of electrical machines. Special tools based on FEM can help them in this task. For the past years, such tools needing sophisticated environments have been realized for designers in industry. Assuming minimum equipment, requirements and guidelines for the realization of a specific tool are presented.

Index Terms—Design, electrical machines, finite elements method (FEM).

I. INTRODUCTION

ON the one hand, we know that there is a growing problem to educate students engaged in an electrical engineering curriculum. Electrical engineering students have to achieve a very large spectrum of knowledge in science and technology ranging from fundamental sciences such as mathematics, physics (electromagnetism, material sciences, and mechanics) to applied science like control, data processing, electronic, and power electronics. Thus students in electrical engineering who want to be expert in electrical machines have less and less time to study what should be their main subject: the design of electrical machines.

On the other hand, we know that industry is lacking in designers of electrical machines because we are witnessing a growing development of the applications of electrical motors and actuators. Industry wants them more and more efficient and well adapted to their applications. Thus the design of electrical machines becomes a more and more difficult task.

We think that finite elements method (FEM) should be more and more used in academic area to help lecturers to teach electrical machine design. This paper presents a discussion about the use of CAD system based on finite elements code for teaching electrical machines and a realization of such a system to help teaching design.

II. FEM AND TUTORIAL ELECTRODYNAMICS

Commercial finite elements (FE) softwares are more and more used in industry. They are more and more introduced in academia. These softwares are of a very efficient help to teach electromagnetism and FEM which is now one of the most powerful tool in electrical engineering. They are very useful to explain many notions such as leakage flux, traveling field, air-gap induction, slots effects. They (especially those who can take into account the movement of the rotor) can also be a valuable help to analyze the electromechanical behavior of

classical machines such as synchronous machines, induction machines or reluctance motors [1].

But their main drawback for students is that most of them are not easy to use and students must spend some hours, days or weeks before being familiar with them. It is due to the fact that these softwares are of general purpose. They can solve many types of electromagnetic problem, for several different kinds of actuators or electrical machines. Thus, in order to perform a simulation it is necessary to do several tasks (drawing, meshing, solving, and post-processing) which are not very easy to perform by beginners.

For some tutorials proposed to students, a tool that can do these different tasks automatically has to be provided. For instance, students may be asked to analyze the validity domain of an analytical model for sizing permanent magnet motors. They have not to worry about how to draw, how to mesh, how to solve and how to compute flux. They only have to concentrate on their problem.

For the past years, many researchers have developed such a tool for designers in industry. Most of these tools are developed in a special environment depending on some particular FE software. There is for instance a parametric environment which has been developed around OPERA-2D [2], a design process has been built up around FLUX-2D [3] and a way of building an integrated CAD system around EFCAD has been attempted [4].

III. A TOOL FOR TEACHING ELECTRICAL MACHINE DESIGN

A. Assumptions

We are trying to specify the requirements of such a tool from the point of view of a user with the minimum number of tools at their disposal. Thus, we do not try to adapt it to any kind of up-to-date methods which require special environment. The environment considered are common operating system like UNIX, Linux or windows (in fact DOS).

We based our discussion by assuming only the existence of a meshing tool and a module that can solve a two-dimensional (2-D) magnetic problem formulated in vector potential and compute the flux in windings. Both of them can be called from a language like FORTRAN or C.

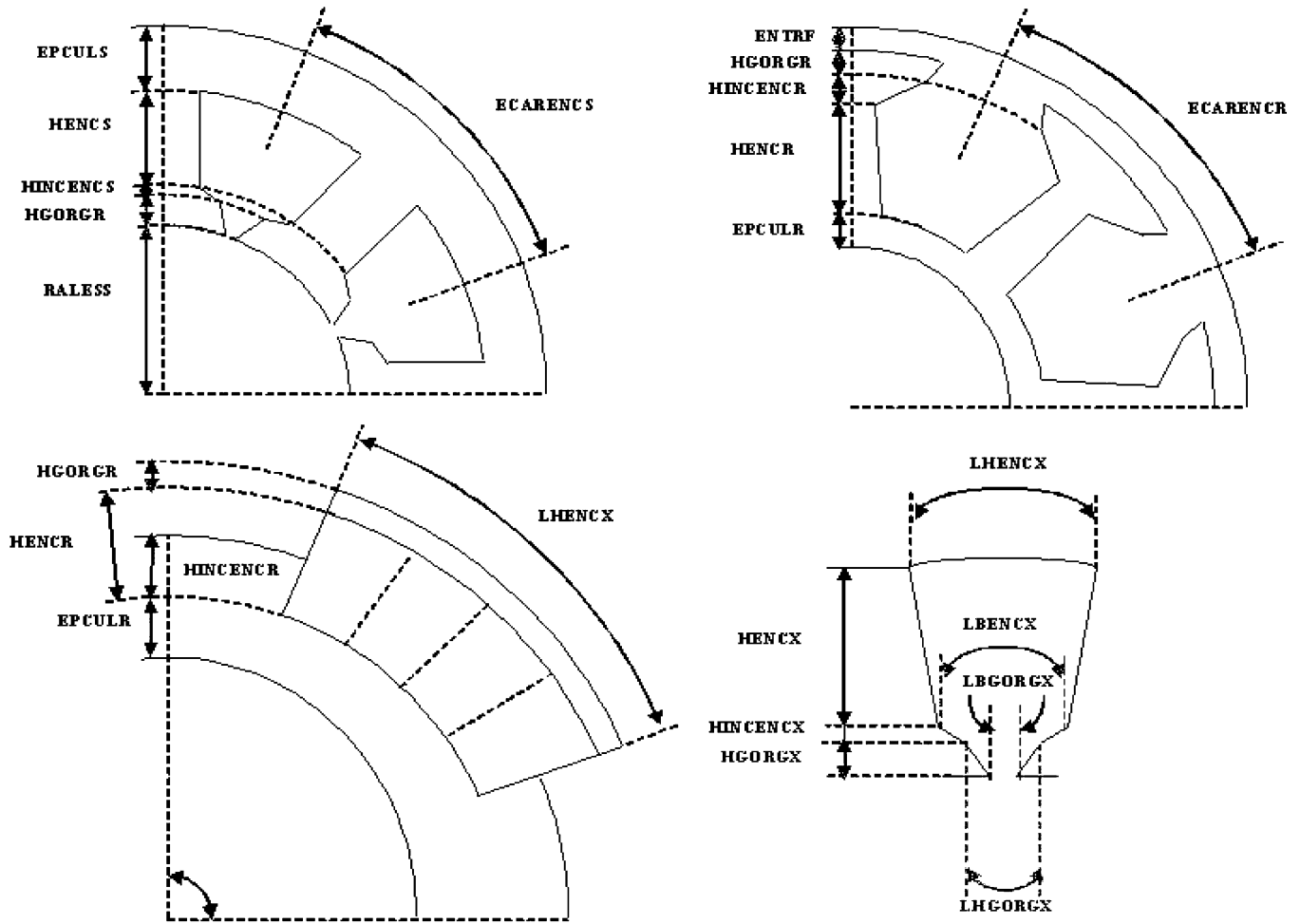


Fig. 1. Geometric (angular and dimensional) data of some stators (slot, tooth, yoke) and rotor (slot, permanent magnet) of different type of different motor types (induction, synchronous, reluctance).

We assume that the meshing tool is capable to mesh quadrangular regions of any kind: contour lines can be arc of circle or segment of straightline.

We assume that the solver has a standard data base. Inputs are: a table of node coordinates, a table of element location, a table of element material properties, a table informing which winding each element belongs to, a table of nodes with homogeneous Dirichlet conditions ($A_z = 0$), a table of nodes with odd or even cyclic boundary conditions. Output are: the third component of vector potential (A_z) on each node. The flux is calculated from A_z on each node and from the table which relates elements to windings.

B. Requirements

The main requirement of the tool is that it can consider several types of machines: induction motor, synchronous motor, reluctance motor. The motors can have several kinds of geometry configuration (the rotor can be outside or inside the stator), several kinds of structure (the numbers of phases, of pair of poles and slots can vary); several kinds of winding are considered (concentrated or distributed). This tool can consider machines of any dimensions according to the fact that these dimensions are compatible between themselves and with the type of the machines, their configuration and their structure.

C. From Geometric and Material Data to the Geometry

First the data that describe these types of motor must be structured. We have classified them in structural, physical and geometric data. These data are loaded from any text editor and read first by the program. The following list gives some examples.

Structural Data:

- Motor type (induction, synchronous, permanent magnet synchronous, reluctance);
- Number of poles;
- Rotor configurations (exterior or interior);
- Numbers of phases (stator and rotor);
- Numbers of slots per pole and phase;
- Windings type and parameters, etc.

Geometric Data (Shown on Fig. 1):

- Internal radius of the stator (RALESS);
- Airgap (ENTRF);
- Thickness of the yokes (EPCULX);
- Winding height (HENCX);
- Thickness of the slot openings (HINCENX);
- Thickness of the tooth tops (HGORGX);
- Angular width of the slot bottoms, the slot sides opposite to airgap (LHENCX);
- Angular width of the slot tops, airgap side (LBENCX);

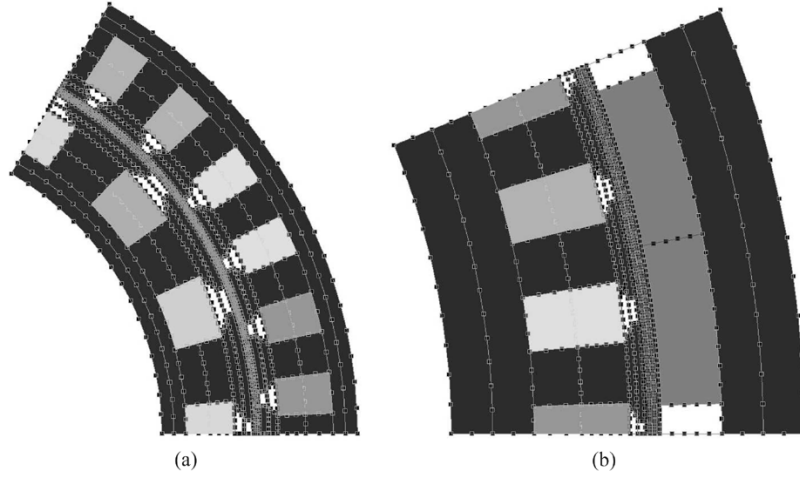


Fig. 2. Drawings of the geometries of some examples of motor types considered: (a) synchronous and (b) permanent magnets synchronous.

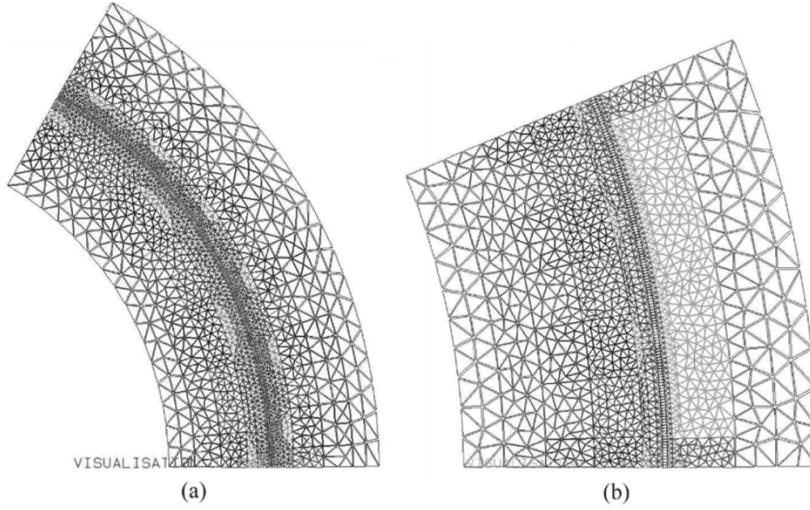


Fig. 3. Meshes of the machines of the Fig. 2.

- Angular width of the slot openings (LHGORGX);
- Angular width of slots (LBGORGX).

For permanent magnet synchronous motors, some of these parameters have the same name but different meaning..

Physical:

- Materials type and parameters;
- Current densities.

The study domain is defined from these parameters. It is divided in quadrangular regions characterized by contour lines, a material property and the number of the winding to which it belongs if necessary. Thus all the quadrangular regions are created. The results obtained for each kind of machines appear on Fig. 2.

D. From Geometry to the Mesh

Then a number of nodes are affected to each line of each region. This affectation is performed automatically according to a simple law that can be described like this: the number of nodes on the lines (arc) in the airgap is equal to twice the number of slots harmonics considered multiplied by the number of slots in the study domain. This simple rule allows to meet any degree of

precision required by applications [1]. The numbers of nodes on other lines are calculated in function of their distance from the airgap. The division of lines performed by our simple law can be seen on Fig. 2.

When all the data structures of each region are filled, the mesh tool (*Triangle* [5]) is called to mesh each region. During this process the tables affected to each element are filled from the physical characteristics of each region. The elements and nodes of all elements are collected together and then renumbered in order to reduce the bandwidth of the stiffness matrix. The homogenous Dirichlet conditions are assigned automatically to the nodes on the frontier of the study domain located at the minimum and maximum radii. Cyclic boundary conditions that can be odd or even are assigned to those located at the minimum and maximum angles of the study domain. The meshes corresponding to the machines which appear on Fig. 2 are given on Fig. 3.

E. Computation of Characteristics and Performances

At a design stage, waveforms of the flux and the feeding currents of the electrical machines are assumed to be ideal: rectangular, trapezoidal or sinusoidal. So the performances or the

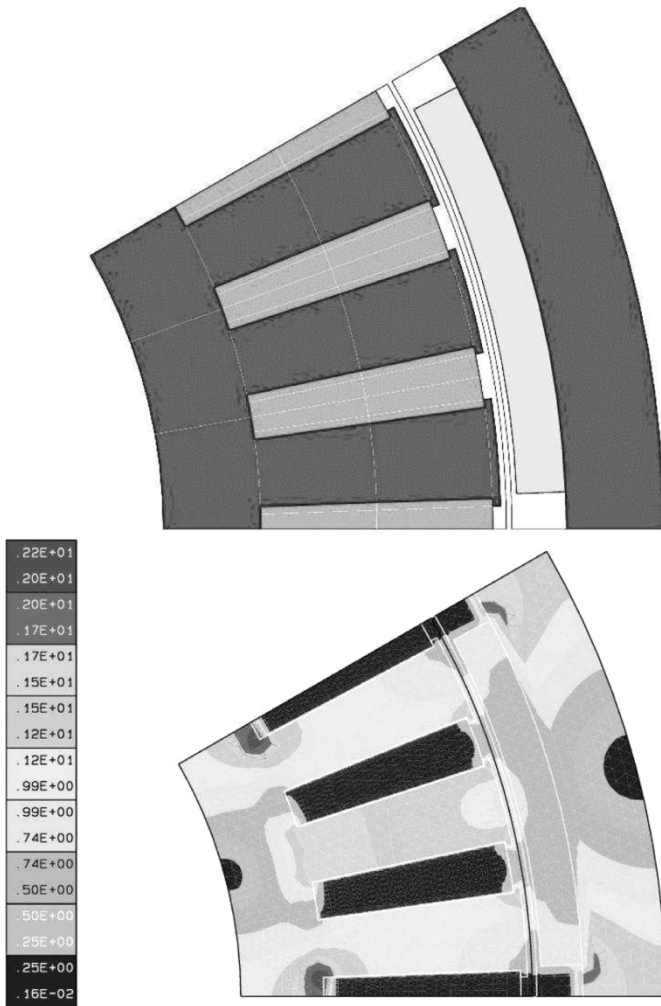


Fig. 4. Example of flux density computed by our tool for a permanent magnet motor obtained from a multi-criteria optimization problem.

characteristics of electrical machines can be deduced from flux computations. For instance, for a permanent magnet machine with sinusoidal waveforms, the no-load flux in windings due to magnets and the flux in windings for two types of load currents (longitudinal and transversal) are computed. From these three values, the torque, flux and voltage can be calculated for any type of sinusoidal currents.

F. Verifications

In order to allow the students to verify their results, the tool can be linked to existing FE softwares. This can be performed at different stages with the help of files: drawing files (DXF), pre-mesh files [4] describing the regions, mesh files with or without the potential on each node.

Fig. 4 shows flux density displayed by our own general purpose FE software. In order to obtain these results we have only given the sizes of the different parts of the motor and the material data. Our tool computes automatically the vector potentials on nodes and the flux in windings for any load currents.

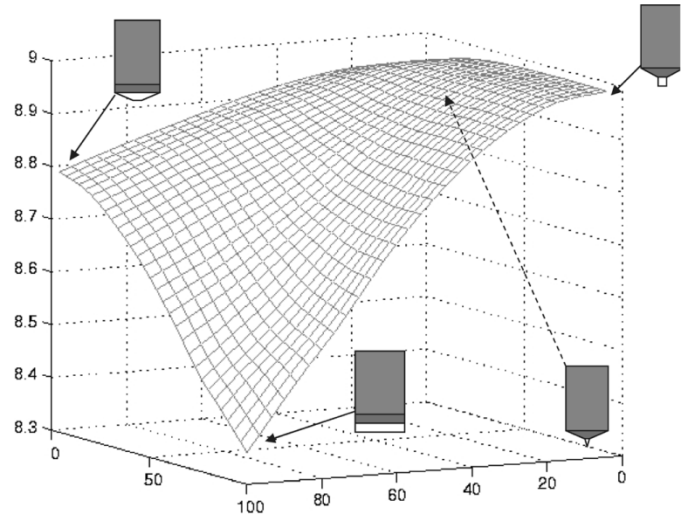


Fig. 5. Evolution of the electromagnetic torque in function of the slot top width and the slot opening.

Such a tool can also be very helpful to study the influence of some parameters. For instance it is possible to study the electromagnetic torque in function of the slot opening and the slot top width. This kind of computation is extremely difficult to perform by means of an analytical model. The results are shown on Fig. 5.

IV. CONCLUSION

In this paper, we have discussed about the use of FEM for help to teach applied electrodynamics. We have presented the requirements of a tool adapted to tutorial designs of electrical machines. Guidelines to build such a tool are presented, a prototype has been realized and some results have been presented.

ACKNOWLEDGMENT

The work of F. Messine was supported by the ENSEEIHT-IRIT.

REFERENCES

- [1] N. Sadowski, Y. Lefèvre, M. Lajoie-Mazenc, and J. Cros, "Finite element torque calculation in electrical machines while considering the movement," *IEEE Trans. Magn.*, vol. 29, no. 2, pp. 1410–1413, Mar. 1992.
- [2] C. F. Parker, J. K. Sykulski, and S. C. Taylor, "Parametric environment for EM computer aided design," *IEEE Trans. Magn.*, vol. 32, no. 3, pp. 1433–1436, May 1996.
- [3] F. Wurtz *et al.*, "Methodological guidelines for the use of analytical and numerical models in a design process of an electromagnetic device," *IEEE Trans. Magn.*, vol. 34, no. 5, pp. 3411–3414, Sep. 1998.
- [4] C. Henaux, S. Astier, Y. Lefèvre, and M. Lajoie-Mazenc, "First steps toward full integrated cad system for electrical machines," *Compel.*, vol. 14, no. 4, pp. 151–155, 1995.
- [5] J. R. Shewchuk. Triangle: Engineering a 2D quality mesh generator and delaunay triangulator. presented at First Workshop on Applied Computational Geometry. [Online]. Available: <http://www-2.cs.cmu.edu/quake/triangle.htm>