



HAL
open science

KINEMATICS, WORKSPACE AND SINGULARITY ANALYSIS OF A MULTI-MODE PARALLEL ROBOT

Damien Chablat, Xianwen Kong, Chengwei Zhang

► **To cite this version:**

Damien Chablat, Xianwen Kong, Chengwei Zhang. KINEMATICS, WORKSPACE AND SINGULARITY ANALYSIS OF A MULTI-MODE PARALLEL ROBOT. International Design Engineering Technical Conferences & Computers and Information in Engineering Conference, ASME, Aug 2017, Cleveland, United States. hal-01521731v1

HAL Id: hal-01521731

<https://hal.science/hal-01521731v1>

Submitted on 12 May 2017 (v1), last revised 6 Aug 2017 (v2)

HAL is a multi-disciplinary open access archive for the deposit and dissemination of scientific research documents, whether they are published or not. The documents may come from teaching and research institutions in France or abroad, or from public or private research centers.

L'archive ouverte pluridisciplinaire **HAL**, est destinée au dépôt et à la diffusion de documents scientifiques de niveau recherche, publiés ou non, émanant des établissements d'enseignement et de recherche français ou étrangers, des laboratoires publics ou privés.

**KINEMATICS, WORKSPACE AND SINGULARITY ANALYSIS OF
A MULTI-MODE PARALLEL ROBOT**

Damien Chablat

Laboratoire des Sciences du Numérique de Nantes
UMR CNRS 6004, 1 rue de la Noë, 44321 Nantes
email: damien.chablat@cnr.fr

Xianwen Kong

School of Engineering and Physical Sciences
Heriot-Watt University
Edinburgh, UK, EH14 4AS
email: X.Kong@hw.ac.uk

Chengwei Zhang*

School of Engineering and Physical Sciences
Heriot-Watt University
Edinburgh, UK, EH14 4AS
email: moonlight1780@163.com

ABSTRACT

A family of reconfigurable parallel robots can change motion modes by passing through constraint singularities by locking and releasing some passive joints of the robot. This paper is about the kinematics, the workspace and singularity analysis of a 3-PRPiR parallel robot involving lockable Pi and R (revolute) joints. Here a Pi joint may act as a 1-DOF planar parallelogram if its lockable P (prismatic) joint is locked or a 2-DOF RR serial chain if its lockable P joint is released. The operation modes of the robot include a 3T operation modes to three 2T1R operation modes with two different directions of the rotation axis of the moving platform. The inverse kinematics and forward kinematics of the robot in each operation modes are dealt with in detail. The workspace analysis of the robot allow us to know the regions of the workspace that the robot can reach in each operation mode. A prototype built at Heriot-Watt University is used to illustrate the results of this work.

KEY WORDS Multi-operation-mode parallel robot, workspace analysis, singularity analysis, reconfiguration analysis, reconfigurable robot

1 INTRODUCTION

During the past two decades, reconfigurable Parallel Manipulators (PM) have received much attention from a number of researchers [1]. Several classes of multi-operation-mode PMs have been proposed [2–13]. Different names have been used for this class of PMs, such as PMs that change their group of motion,

PMs with bifurcation of motion, or disassembly-free reconfigurable PMs. The main characteristics of multi-operation-mode PMs include [8–10]: a) Fewer actuators are needed for the moving platform to realize several specified motion patterns; and b) Less time is needed in reconfiguring the PM since there is no need to disassemble the PM in the process of reconfiguration .

Recent advances in the research on multi-operation-mode PMs are mainly on the type synthesis and the reconfiguration analysis of multi-operation-mode PMs, while a PM with two 1T1R operation modes has been used as a novel swivel head for machine tools [3]. For example, a general method for the type synthesis of multi-operation-mode PMs has been proposed in [4, 8, 9]. Multi-operation-mode PMs with a 3-DOF translational mode and a 3-DOF (degrees-of-freedom) planar mode or a 4-DOF 3T1R mode have been obtained. In [5], several PMs with two 3T1R (also Schönflies motion) operation mode which has three translational DOF and one rotational DOF) operation modes have been investigated. Several PMs with two 2T1R operation modes have been proposed in [6, 7]. In [10], 2-DOF 3-4R PMs with both spherical translation mode and sphere-on-sphere rolling mode were obtained. References [14, 15] shows 4-DOF 3T1R PMs that have an extra 2-DOF or 3-DOF motion mode in addition to the required 4-DOF 3T1R motion mode. It is noted the metamorphic PMs based on reconfigurable U (universal) or S (spherical) joints [16, 17] and the multi-mode PMs with lockable joints [18, 19] are in fact kinematically redundant PMs in nature and do not belong to multi-operation-mode PMs that this paper focuses on. In the reconfiguration analysis, which refers to iden-

*Currently at Dalian Huarui Heavy Industry Technical Centre, China

Table 1 Four operation modes of the multi-mode parallel robot.

Operation modes			Conditions	
No	Translation along	Rotation about	Joints locked	Joints released
1	x, y, z	---	P_1, P_2	R_1, R_2, R_3
2	x, y	z	R_1, R_2, P_2	R_3, P_1
3	x, y	x	R_1, R_2, P_1	R_3, P_2
4	y, z	x	R_3, P_1	R_1, R_2, P_3

tifying all the operation modes and the transition configurations, of PMs, several methods have been proposed [14, 15, 19–24]. As pointed out in [23, 24], practical methods for switching a PM from one operation mode to another is still an open issue.

In [25], a multi-operation-mode PM was proposed, which is a revised version of the multi-operation-mode PM developed at Heriot-Watt University as shown in Fig. 1 of [18]. This multi-operation-mode PM can switch from one operation mode to another securely by using reconfigurable planar parallelograms and lockable R (revolute) joints. This paper will perform a systematic study on the inverse kinematics, forward kinematics, workspace and singularity analysis of this multi-operation-mode PM.

In Section 2, the description of a 3-PRPiR PM is given. Section 3 deals with the inverse and direct kinematic problem. In Section 4, the singularity analysis is presented. Section 5 presents the workspace analysis to find out the connected regions reachable for a given working mode in each operation mode. Finally, conclusions are drawn on the advantages of this robot.

2 DESCRIPTION OF A 3-PRPiR PARALLEL ROBOT

The studied robot [23] has three degrees-of-freedom and motion of the moving platform depends on the operation mode of the robot (Fig. 1). The 3-RPiR¹ multi-mode parallel robot is composed of a base and moving platform connected by three RPiR legs. Here R and Pi represent revolute and reconfigurable parallelogram joint respectively. The Pi joint may act as a 1-DOF planar parallelogram if its lockable P (prismatic) joint is locked or a 2-DOF RR serial chain if its lockable P joint is released. In total, there are three lockable revolute joints (R_1, R_2 and R_3) and two lockable prismatic joints (P_1 and P_2) which can be locked/released to change the operation modes of the robot. The change of operating mode is carried out only in the home pose shown in Fig. 1. In the home pose, the axes of all the R joints, including those within the Pi joint, are parallel to two directions.

The input joint variables are the three prismatic actuated joints ρ_1, ρ_2 and ρ_3 along the y -axis. Table 1 describes the robot's mobility for four operation modes.

In a fixed reference frame, the positions of the fixed points A_i ($i = 1, 2, 3$) as well as the points B_i controlled by the actuated prismatic joints are defined as

$$\begin{aligned} A_1 &= [-d_1/2, 0, 0]^T \\ A_2 &= [d_1/2 - d_3, 0, 0]^T \\ A_3 &= [0, 0, d_2 - d_4]^T \end{aligned}$$

¹One of the Pi joint is replaced with an RR serial chain to simplify the structure without affecting the function of the robot.

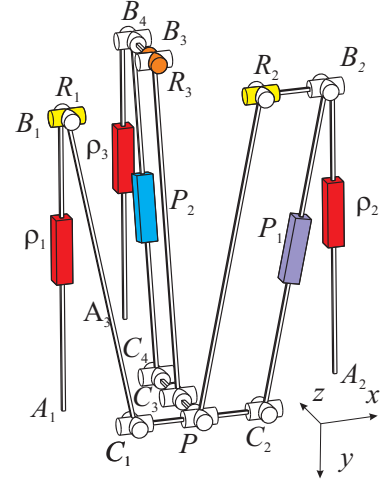


Fig. 1 A 3-RPiR multi-mode parallel robot with the three actuators in red, the passive joints in white and the lockable joints in other colors

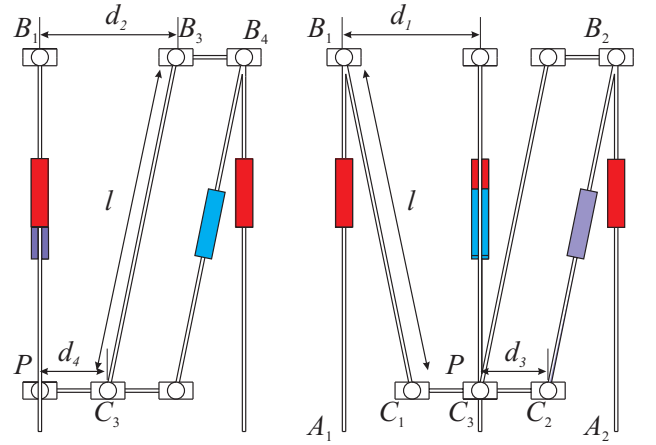


Fig. 2 Link parameters of the 3-RPiR multi-mode parallel robot.

$$\begin{aligned} B_1 &= [-d_1/2, \rho_1, 0]^T \\ B_2 &= [d_1/2 - d_3, \rho_2, 0]^T \\ B_3 &= [0, \rho_3, d_2 - d_4]^T \end{aligned}$$

The motion of the end-effector P depends on the operation modes of the robot. The coordinates of point P will be given in details in the next subsections on the constraint equations for each operation mode.

In this paper, the following parameters (in normalized units) are used $d_1 = 1/2, d_2 = 1, l = 1, d_3 = 1/10$ and $d_4 = 1/10$ (Fig. 2).

2.1 Operation Mode 1

Operation mode 1 is a 3-DOF pure translation mode. That is to say the moving platform cannot rotate. This architecture is identical to the linear Delta robot found in the Renault Automation UraneSX [26] or the IRCCyN Orthoglide [27, 28].

The coordinates of the points on the mobile platform are

$$\begin{aligned} C_1 &= [x - d_3, y, z]^T \\ C_2 &= [x, y, z]^T \\ C_3 &= [x, y, z + d_4]^T \\ P &= [x, y, z]^T \end{aligned}$$

The constraint equations in operation mode 1 are obtained by calculating the distances between the points B_i and C_i .

$$\|B_i - C_i\| = l^2 \quad \text{for } i = 1, 2, 3$$

i.e.

$$\begin{cases} \left(x + \frac{3}{20}\right)^2 + (y - \rho_1)^2 + z^2 = 1 \\ \left(x - \frac{3}{20}\right)^2 + (y - \rho_2)^2 + z^2 = 1 \\ x^2 + (y - \rho_3)^2 + \left(z - \frac{7}{10}\right)^2 = 1 \end{cases} \quad (1)$$

2.2 Operation Mode 2

For this operation mode, the moving platform undergoes a 3-DOF planar motion along the O-XY plane: it translates in the plane (x, y) and rotate around the z -axis. We can write the position of C_i and P as

$$\begin{aligned} C_1 &= [x - d_3 \cos(\alpha), y - d_3 \sin(\alpha), 0]^T \\ C_2 &= [x, y, 0]^T \\ C_3 &= [x, y, d_4]^T \\ P &= [x, y, 0]^T \end{aligned}$$

The constraint equations are

$$\begin{cases} \left(x - \frac{\cos \alpha}{10} + \frac{1}{4}\right)^2 + \left(y - \frac{\sin \alpha}{10} - \rho_1\right)^2 = 1 \\ \left(x - \frac{3}{20}\right)^2 + (y - \rho_2)^2 = 1 \\ x^2 + (y - \rho_3)^2 = \frac{9}{25} \end{cases} \quad (2)$$

2.3 Operation Mode 3

For this operation mode, the translations of the moving platform are in the plane (x, y) and the rotation around the x -axis. Such motion is called PPR equivalent motion in [32]. We can write the position of C_i and P as

$$\begin{aligned} C_1 &= [x - d_3, y, 0]^T \\ C_2 &= [x, y, 0]^T \\ C_3 &= [x, y + d_4 \sin(\alpha), d_4 \cos(\alpha)]^T \end{aligned}$$

The constraint equations are

$$\begin{cases} \left(x + \frac{3}{20}\right)^2 + (y - \rho_1)^2 = 1 \\ \left(x - \frac{3}{20}\right)^2 + (y - \rho_2)^2 = 1 \\ x^2 + \left(y + \frac{\sin \alpha}{10} - \rho_3\right)^2 + \left(\frac{\cos \alpha}{10} - \frac{9}{10}\right)^2 = 1 \end{cases} \quad (3)$$

2.4 Operation Mode 4

For operation mode 4, the moving platform undergoes a 3-DOF planar motion along the O-YZ plane. The translations of the moving platform are in the plane (y, z) and the rotation around the x -axis. The position of C_i and P are

$$\begin{aligned} C_1 &= [-d_3 \cos \alpha, y - d_3 \sin \alpha, z]^T \\ C_2 &= [0, y, z]^T \\ C_3 &= [0, y, z + d_4]^T \end{aligned}$$

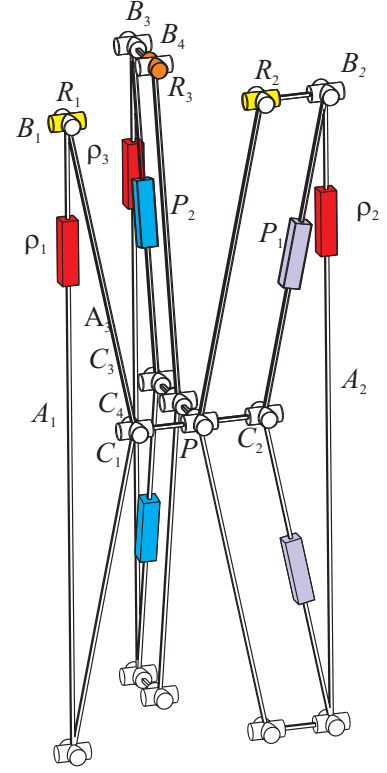


Fig. 3 The eight working modes of the robot associated with the home pose.

The constraint equations are

$$\begin{cases} \left(-\frac{\cos \alpha}{10} + 1/4\right)^2 + \left(y - \frac{\sin \alpha}{10} - \rho_1\right)^2 + z^2 = 1 \\ (y - \rho_2)^2 + z^2 = \frac{391}{400} \\ (y - \rho_3)^2 + (z - 4/5)^2 = 1 \end{cases} \quad (4)$$

3 INVERSE AND DIRECT KINEMATIC ANALYSIS OF THE PARALLEL ROBOT IN DIFFERENT OPERATION MODES

3.1 Inverse kinematic analysis

For each of the four operation modes, there are 8 solutions to the inverse kinematic model or working modes [30]. From the constraint equations [Eqs. (1)–(4)], it is quite straightforward to solve quadratic equations to find the inputs of the actuators. These solutions are given below without detailed derivation.

Operation Mode 1

$$\begin{aligned} \rho_1 &= y \pm \sqrt{-400x^2 - 400z^2 - 120x + 391}/20 \\ \rho_2 &= y \pm \sqrt{-400x^2 - 400z^2 + 120x + 391}/20 \\ \rho_3 &= y \pm \sqrt{-25x^2 - 25z^2 + 40z + 9}/5 \end{aligned}$$

Operation Mode 2

$$\begin{aligned} \rho_1 &= y - \sin \alpha / 10 \pm \sqrt{80x \cos \alpha + 4 \sin^2 \alpha - 400x^2 + 20 \cos \alpha - 200x + 371}/20 \\ \rho_2 &= y \pm \sqrt{-400x^2 + 120x + 391}/20 \\ \rho_3 &= y \pm \sqrt{-25x^2 + 9}/5 \end{aligned}$$

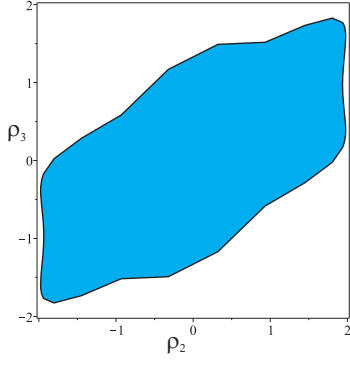


Fig. 4 Joint space of operation mode 1.

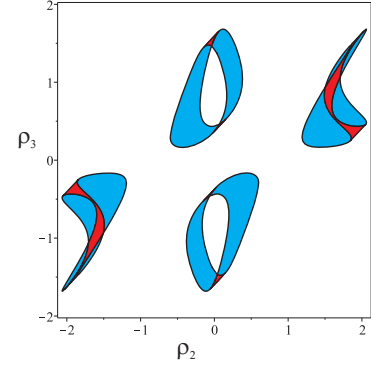


Fig. 5 Joint space of operation mode 2.

Operation Mode 3

$$\begin{aligned}\rho_1 &= y \pm \sqrt{-400x^2 - 120x + 391}/20 \\ \rho_2 &= y \pm \sqrt{-400x^2 + 120x + 391}/20 \\ \rho_3 &= y \pm \sin \alpha / 10 \\ &+ \sqrt{\sin^2 \alpha - 100x^2 + 18 \cos \alpha + 18}/10\end{aligned}$$

Operation Mode 4

$$\begin{aligned}\rho_1 &= y - \sin \alpha / 10 \\ &\pm \sqrt{\sin^2 \alpha - 100z^2 + 10 \cos \alpha + 74}/10 \\ \rho_2 &= y \pm \sqrt{-100z^2 + 99}/10 \\ \rho_3 &= y \pm \sqrt{-400z^2 + 640z + 119}/20\end{aligned}$$

Figure 3 shows the 8 working modes of the robot for the home pose.

3.2 Direct kinematic analysis

Solving the constraint equations associated with each operation mode [Eqs. (1)–(4)], one can find the locations of the moving platform for a given set of inputs.

For operation mode 1, the resolution of the direct kinematic analysis amounts to calculating the intersection of three spheres. An efficient geometric method is presented by Pashkevich in [36]. For the other operation modes, we obtain two values for the position according to x, y or z . For the orientation of the moving platform, we obtain a quadratic equation as a function of the position parameters. Therefore, we usually have four real solutions for the orientation of the moving platform.

Since the equations for all the four operation modes are too large to be displayed in an article and the solutions are well-documented in the literature, we will focus on the variation of the number of solutions to the direct kinematic model in the joint space. For clarity, we make a slice in the joint space by fixing $\rho_1 = 0$. This is equivalent to the change of variable $\rho'_2 = \rho_2 - \rho_1$ and $\rho'_3 = \rho_3 - \rho_1$. Figures 4–7 represent the joint space in blue, the regions where the direct kinematic model admits two real solutions and in red, the regions where it admits four real solutions.

In operation mode 1, there is only one region where the direct kinematic problem admits two solutions (Fig. 4).

In operation mode 2, there are four connected regions where the direct kinematic problem admits either two or four solutions

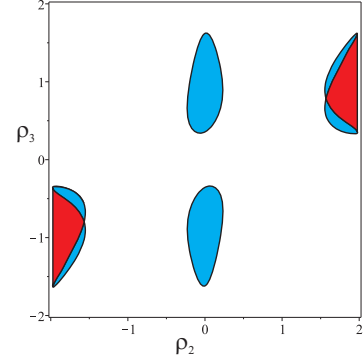


Fig. 6 Joint space of operation mode 3.

(Fig. 5). For two of them, there are one hole inside. This property can cause problems if the robot is to be protected by introducing limits on the active joints.

In operation mode 3, there are four connected regions (Fig. 6). In two regions, the direct kinematic problem admits either two or four solutions and the other two regions, the direct kinematic problem admits only two solutions.

In operation mode 4, there are two connected regions with one hole (Fig. 7). The direct kinematic problem admits either two or four solutions.

It is noted that except operation mode 1, the regions in the joint space are not connected. Figures 8–11 shows several postures of the robot when we have the two or four solutions for the direct kinematics in these four operation modes.

4 SINGULARITY ANALYSIS OF THE PARALLEL ROBOT IN DIFFERENT OPERATION MODES

The singularity analysis of conventional parallel robots has been well-documented in the literature. The singularity analysis of a multi-mode parallel robot involves the singularity analysis in each operation mode of the robot. In each operation mode, we first find the parallel and serial Jacobin matrix, named **A** and **B** respectively [31], by differentiating the constraint equations [Eqs. (1)–(4)] with respect to time. Then we obtain the parallel and serial singularities by studying the determinant of these matrices. In each operation mode, the serial singularities are located

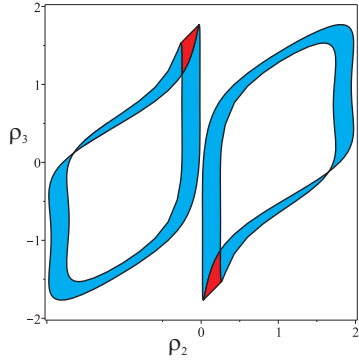


Fig. 7 Joint space of operation mode 4.

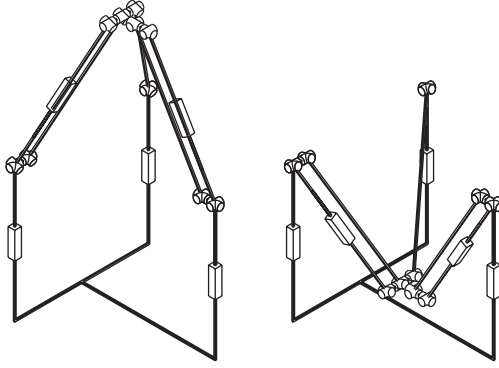


Fig. 8 Example of joint configuration with two direct kinematic solutions in operation mode 1.

at the boundaries of the workspace while the parallel singularities divide it.

As the robots studied have several solutions to the direct and inverse kinematic analysis, the singularity conditions are defined in the cross product of the joint space and workspace. Their projections into the workspace are not requested because we cannot distinguish the curves associated with a given working mode.

4.1 Operation mode 1

The singular configurations in operation mode 1 of this robot are the same as the conventional parallel robot presented in [29]. We have the serial singularities when the legs are orthogonal to the actuators and the parallel singularities when the legs are in the same plane (flat position) or all parallel (bar position).

Serial singularities occur if and only if

$$\rho_3 - y = 0, \quad \rho_2 - y = 0 \quad \text{or} \quad \rho_1 - y = 0$$

Parallel Singularities occur if and only if

$$140x\rho_1 + 30\rho_1z - 140x\rho_2 + 30\rho_2z - 60z\rho_3 - 21\rho_1 - 21\rho_2 + 42y = 0$$

In this operation mode, the determinant of the matrix \mathbf{A} cannot be factorized. In a single equation, we have the singularity locus associated with the eight working modes.

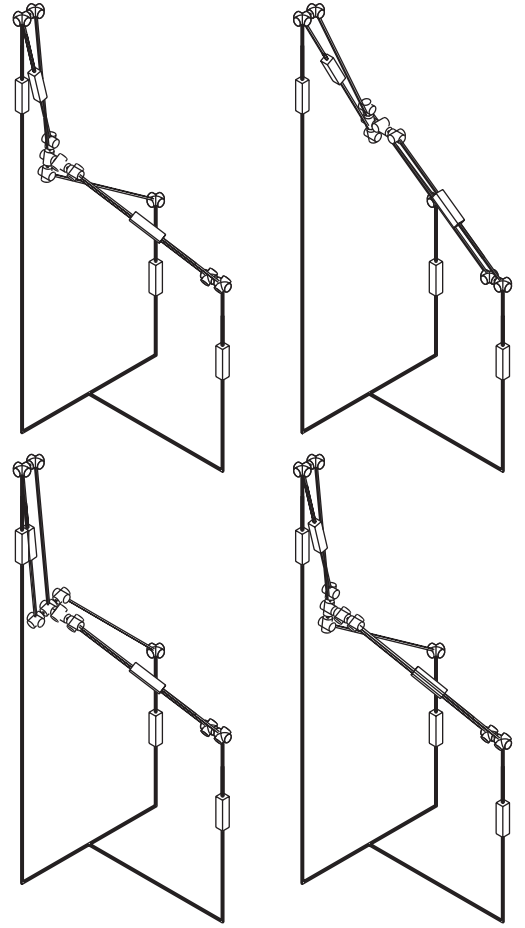


Fig. 9 Example of joint configuration with four direct kinematic solutions in operation mode 2.

4.2 Operation mode 2

Serial singularities occur if and only if

$$\rho_3 - y = 0, \quad \rho_2 - y = 0 \quad \text{or} \\ -10y + \sin \alpha + 10\rho_1 = 0$$

Only the serial singularities associated with the first leg ρ_1 depend on the orientation of the moving platform.

Parallel Singularities occur if and only if

$$20x(\rho_2 - \rho_3) + 3(\rho_3 - 3y) = 0 \quad \text{or} \\ -4x \sin \alpha - 4 \cos \alpha \rho_1 + 4y \cos \alpha - \sin \alpha = 0$$

The determinant of the matrix \mathbf{A} is factorized into two components. This properties means that the workspace is divided into at least four regions. We notice that the first component does not depend on the orientation of the moving platform.

4.3 Operation mode 3

Serial singularities occur if and only if

$$\rho_2 - y = 0, \quad \rho_1 - y = 0 \quad \text{or} \\ -10y - \sin \alpha + 10\rho_3 = 0$$

As the axis of rotation of the moving platform is parallel to the

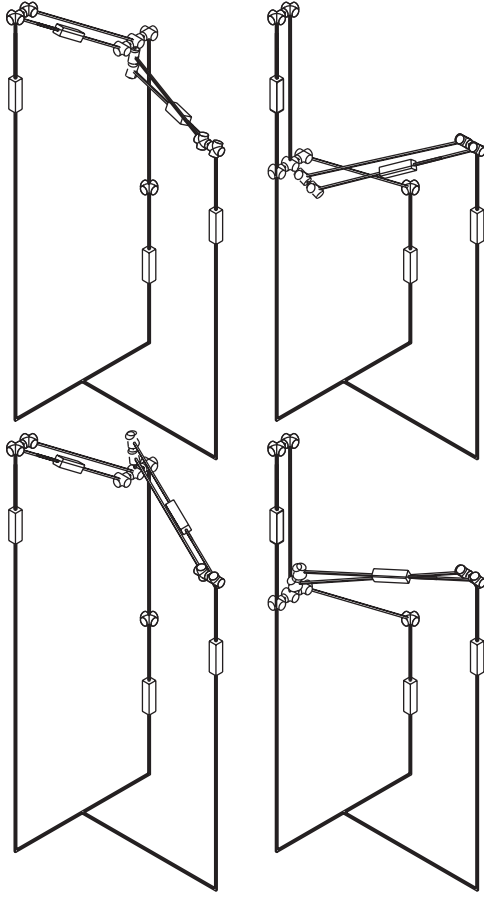


Fig. 10 Example of joint configuration with four direct kinematic solutions in operation mode 3.

x -axis, only the serial singularities related to the third leg depend on the orientation of the moving platform.

Parallel Singularities occur if and only if

$$20\rho_1x - 20\rho_2x - 3\rho_1 - 3\rho_2 + 6y = 0 \quad \text{or} \\ -10 \cos \alpha \rho_3 + 10y \cos \alpha + 9 \sin \alpha = 0$$

4.4 Operation mode 4

Serial singularities occur if and only if

$$\rho_3 - y = 0, \quad \rho_2 - y = 0 \quad \text{or} \\ -10y + \sin \alpha + 10\rho_1 = 0$$

As the axis of rotation of the moving platform is parallel to the z -axis, only the serial singularities related to the first leg depend on the orientation of the moving platform.

Parallel Singularities occur if and only if

$$5\rho_2z - 5z\rho_3 - 4\rho_2 + 4y = 0 \quad \text{or} \\ -4 \cos \alpha \rho_1 + 4y \cos \alpha - \sin \alpha = 0$$

5 WORKSPACE ANALYSIS OF THE PARALLEL ROBOT IN DIFFERENT OPERATION MODES

The workspace analysis of a multi-mode parallel robot requires analyzing the workspace of the robot in each operation mode. In

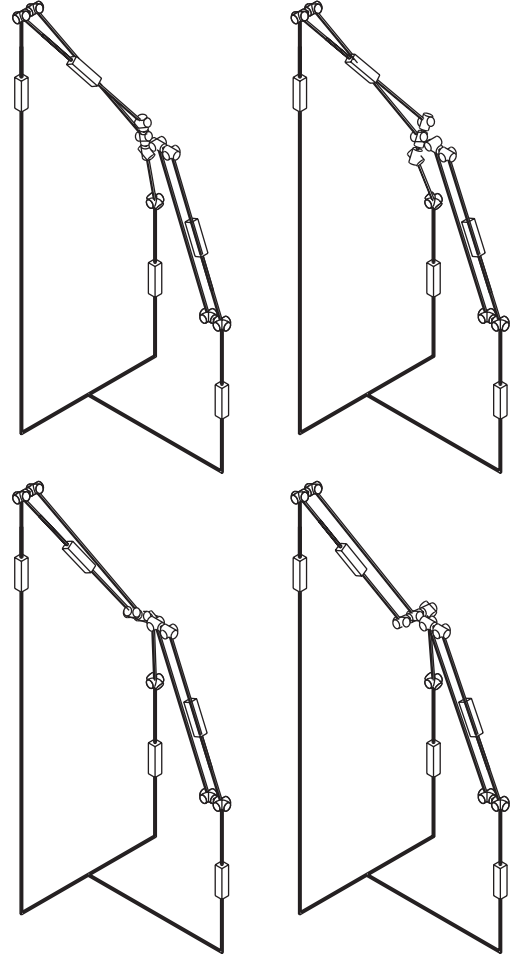


Fig. 11 Example of joint configuration with four direct kinematic solutions in operation mode 4.

each operation mode, one needs to separate the postures of the robot according to the current working modes. We recall here the definition of the aspects A_{ij} for parallel robots with several working modes WM_i [30], which are defined as the maximal sets in the product of the workspace, W , by the joint space, Q so that

- $A_{ij} \subset W \cdot Q$;
- A_{ij} is connected;
- $A_{ij} = \{(\mathbf{X}, \mathbf{q}) \in WM_i \mid \det(\mathbf{A}) \neq 0\}$

where a *working mode*, noted WM_i , is the set of postures for which the sign of \mathbf{B}_{jj} ($j = 1$ to n) does not change and \mathbf{B}_{jj} does not vanish.

Since that it is impossible to change the working modes without disassembling this multi-mode parallel robot, we will study only the working modes depicted in Fig. 1 for simplicity reasons. With the SIROPA library, we can make an algebraic cylindrical decomposition (CAD) [34, 35] in the space which includes the joint space and the workspace taking into account the serial and parallel singularities. In this paper, we assume there

is no limitation on the range of motion of the active and passive joints. Therefore, we can study the workspace without considering the translation along the y -axis.

In each cross-section of the workspace, we have represented the parallel aspects [30], i.e., the largest regions without singularity in the Cartesian space. The boundaries of these regions are the parallel singularities. Curves may exist that do not divide the workspace. These curves are associated with the other operation modes. These curves are obtained by the discriminant varieties of the constraint equations with the serial and parallel singularities [33].

In operation mode 1, the workspace is a single region (Fig. 12). Parallel singularities exist only when one leg is towards the positive y and the other two towards the negative y (and vice versa). These correspond to the curves in the center of the figure.

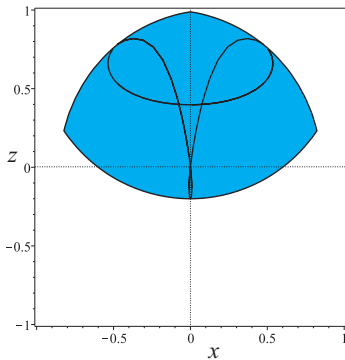


Fig. 12 Workspace in operation mode 1.

In operation mode 2, the workspace is divided in four regions (Fig. 13). Please note the continuity of certain regions due to the cyclicity of the angles.

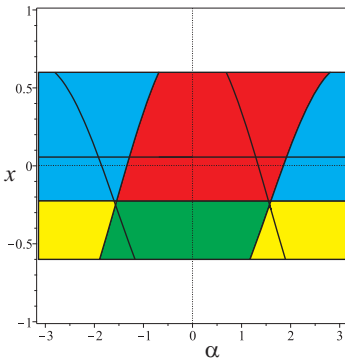


Fig. 13 Workspace in operation mode 2.

The workspace in operation mode 3 consists of only two regions (Fig. 14). For $x = 0$, the moving platform can rotate mainly in the negative direction.

The workspace in operation mode 4 has six aspects (Fig. 15). These aspects cannot be distinguished by the signs of the two components of the parallel singularities. This is the reason why we have two regions in blue, yellow, red and green each.

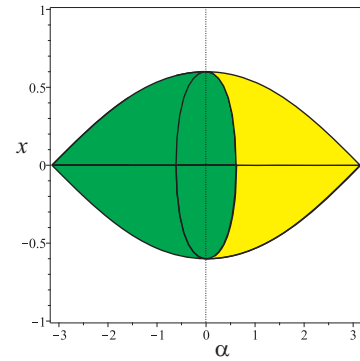


Fig. 14 Workspace in operation mode 3.

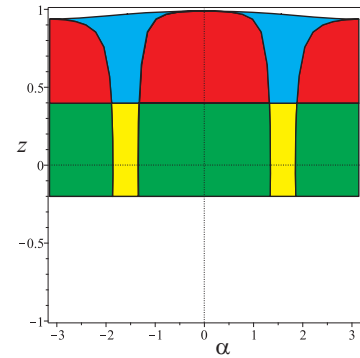


Fig. 15 Workspace in operation mode 4.

The mult-mode parallel robot can switch among its four operation modes in its home pose in which $x = 0$, $z = 0$ and $\alpha = 0$. In Fig. 16, starting from the home pose, the red arrows show the corresponding postures for each operation mode. Regions with grids are the regions of the workspace that the robot cannot reach without crossing a parallel singularity.

Starting from the configurations with $z = 0$ in operation mode 1, it is possible to switch to operation modes 2 and 3. It is noted for any values of x , only one aspect in operation mode 3 is reachable. For operation mode 2, two aspects, one with $x < -9/40$ and another with $x > -9/40$, are reachable.

Starting from the configurations with $x = 0$ in operation mode 1, it is possible to switch to operation mode 4. The robot can reach two aspects in operation mode 4: the green one with $z > (528/35 - 8\sqrt{165}/7)$ and the blue with $z < (528/35 - 8\sqrt{165}/7)$.

Based on the above results, we conclude that it is possible to change the aspects for a given operation mode by passing through operation mode 1. This property increases the workspace of the robot theoretically. However, this is not practical because the robot will have to change operation modes twice. We notice that the ranges of translation in operation modes 2, 3 and 4 are within the ranges defined by the intersections of the workspace in operation mode 1 with the x - and z - axes.

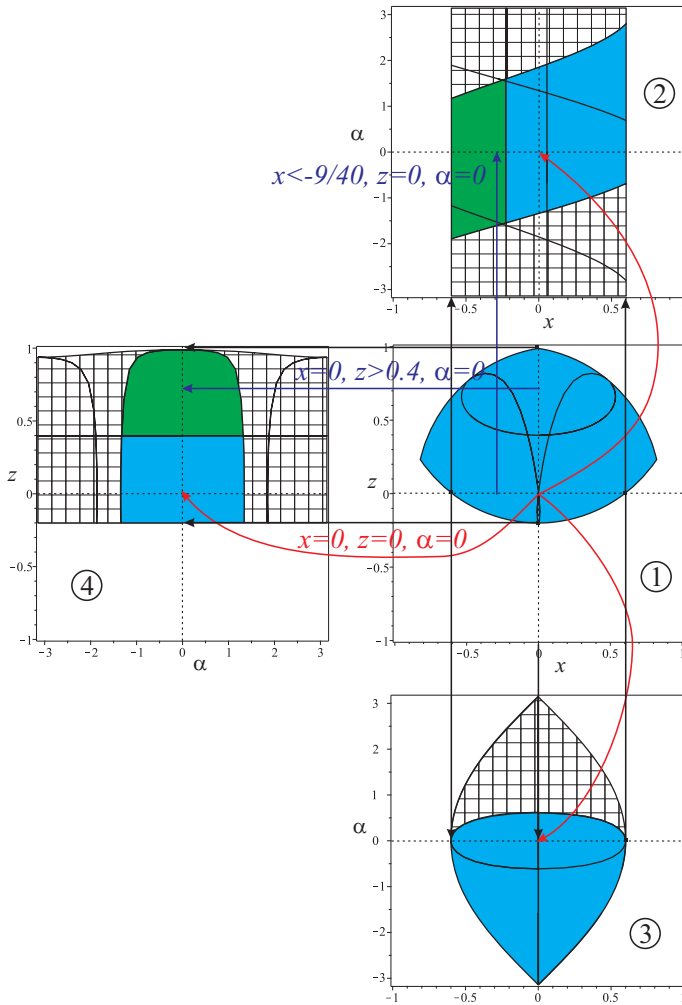


Fig. 16 Transition among the four operation modes.

6 CONCLUSIONS

In this paper, we have presented the kinematics of a multi-mode parallel robot that can change operation modes by using reconfigurable Pi joints and lockable R joints. Changes in operation modes are realized by locking/releasing certain lockable joints. We have investigated the singularities of the parallel robot in different operation modes from the study of the determinant of the Jacobin matrices. For an operation mode resulting from the “home” configuration of the robot, we have decomposed the workspace into aspects and represented their projection in the workspace. The conditions for switching from one operation mode to another have been identified. The aspects that the robot can achieve in a given operation mode without going through a parallel singularity have also been obtained.

This work, together with the literature on the reconfiguration analysis of multi-mode parallel mechanisms [15,20–24], provide a comprehensive framework for the analysis of multi-mode parallel robots.

ACKNOWLEDGMENTS

XK would like to thank the Engineering and Physical Sciences Research Council (EPSRC), United Kingdom, for the support under grant No.EP/K018345/1.

REFERENCES

- [1] Ding, X., Kong, X., and Dai, J. S., *Advances in Reconfigurable Mechanisms and Robots II*. Switzerland: Springer International Publishing, 2016.
- [2] Fanghella, P., Galletti, C., and Gianotti, E., “Parallel robots that change their group of motion,” *Advances in Robot Kinematics*, Springer, The Netherlands, pp. 49–56, 2006.
- [3] Refaat, S., Hervé, J.M., Nahavandi, S., and Trinh, H., “Two-mode overconstrained three-DOFs rotational-translational linear-motor-based parallel kinematics mechanism for machine tool applications,” *Robotica*, **25**, pp. 461–466, 2007.
- [4] Kong, X., Gosselin, C., and Richard, P.L., “Type synthesis of parallel mechanisms with multiple operation modes,” *ASME Journal of Mechanical Design*, **129**(6), pp. 595–601, 2007.
- [5] Li, Q. and Hervé, J.M., “Parallel mechanisms with bifurcation of Schoenflies motion,” *IEEE Transactions on Robotics*, **25**(1), pp. 158–164, 2009.
- [6] Gogu, G., “Maximally regular T2R1-type parallel manipulators with bifurcated spatial motion,” *ASME Journal of Mechanisms and Robotics*, **3**(1), 011010, 2011.
- [7] Ruggiu, M. and Kong, X., “Mobility and kinematic analysis of a parallel mechanism with both PPR and planar operation modes,” *Mechanism and Machine Theory*, **55**, pp. 77–90, 2012.
- [8] Kong, X., “Type synthesis of variable degrees-of-freedom parallel manipulators with both planar and 3T1R operation modes,” *Proceedings of ASME 2012 International Design Engineering Technical Conferences & Computers and Information in Engineering Conference*, DETC2012-70621, Chicago, USA, August 12-15, 2012.
- [9] Kong, X., “Type synthesis of 3-DOF parallel manipulators with both a planar operation mode and a spatial translational operation mode,” *ASME Journal of Mechanisms and Robotics*, **5**(4): 041015, 2013.
- [10] Kong, X., and Yu, J., “Type synthesis of two-degrees-of-freedom 3-4R parallel mechanisms with both spherical translation mode and sphere-on-sphere rolling mode,” *Journal of Mechanisms and Robotics*, **7**(4), 041018, 2015.
- [11] Gan, D., and Dai, J.S., “Geometry constraint and branch motion evolution of 3-PUP parallel mechanisms with bifurcated motion,” *Mechanism and Machine Theory*, **61**, pp. 168–183, 2013.

- [12] Zeng, Q., and Ehmann, K.F., “Design of parallel hybrid-loop manipulators with kinematotropic property and deployability,” *Mechanism and Machine Theory*, **71**, pp. 1–26, 2014.
- [13] Ye, W., Fang, Y., Zhang, K., and Guo, S., “A new family of reconfigurable parallel mechanisms with diamond kinematotropic chain,” *Mechanism and Machine Theory*, **74**, pp. 1–9, 2014.
- [14] Coste, M., and Kartoue Mady Demdah, K.M., “Extra modes of operation and self motions in manipulators designed for Schoenflies motion.” *Journal of Mechanisms and Robotics*, **7** (4), 041020, 2015.
- [15] Nurahmi, L., Caro, S., Wenger, Ph., Schadlbauer, J., and Husty, M., “Reconfiguration analysis of a 4-RUU parallel manipulator.” *Mechanism and Machine Theory*, **96**, pp.269–289, 2016.
- [16] Gan, D., Dai, J. S., and Liao, Q., “Mobility change in two types of metamorphic parallel mechanisms,” *ASME Journal of Mechanisms and Robotics*, **1**(4), 041007, 2009.
- [17] Zhang K. T., Dai J. S., Fang Y. F., “Geometric constraint and mobility variation of two 3-SPS metamorphic parallel mechanisms.” *ASME Journal of Mechanisms and Robotics*, **135**(1): 011001, 2012.
- [18] Kong, X., and Jin, Y., “Type synthesis of 3-DOF multi-mode translational/spherical parallel mechanisms with lockable joints,” *Mechanism and Machine Theory*, **96**, pp. 323-333, 2015.
- [19] Carbonari, L. Callegari, M. Palmieri, G., and Palpacelli, M.-C., A new class of reconfigurable parallel kinematic machines. *Mechanism and Machine Theory*, **79**:pp. 173–183, 2014.
- [20] Walter, D.R., Husty, M.L. and Pfurner, M., Chapter A: Complete kinematic analysis of the SNU 3-UPU parallel manipulator, In: Contemporary Mathematics, Vol 496, American Mathematical Society, pp. 331–346, 2009.
- [21] Kong, X., “Reconfiguration analysis of a 3-DOF parallel mechanism using Euler parameter quaternions and algebraic geometry method,” *Mechanism and Machine Theory*, **74**, pp. 188–201, 2014.
- [22] Nurahmi, L., Caro, S., Wenger, Ph., Schadlbauer, J., and Husty, M., Reconfiguration analysis of a 4-RUU parallel manipulator. *Mechanism and Machine Theory*, **96**:pp. 269–289, 2016.
- [23] Kong, X., “Reconfiguration analysis of a 4-DOF 3-RER parallel manipulator with equilateral triangular base and moving platform,” *Mechanism and Machine Theory*, **98**, pp. 180-189, 2016.
- [24] Kong, X., “Reconfiguration analysis of a variable degrees-of-freedom parallel manipulator with both 3-DOF planar and 4-DOF 3T1R operation modes,” *Proceedings of ASME 2016 International Design Engineering Technical Conferences & Computers and Information in Engineering Conference*, DETC2016-59203, Charlotte, USA, August 21-24, 2016.
- [25] Zhang, C., *Improvement of a disassembly-free reconfigurable parallel manipulator*, MSc Dissertation, Heriot-Watt University, Edinburgh, UK, 2015.
- [26] Company, O. and Pierrot, F., “Modelling and design issues of a 3-axis parallel machine-tool,” *Mechanism and Machine Theory*, Vol. 37, pp. 1325-1345, 2002.
- [27] Chablat D. and Wenger Ph., “Architecture optimization of a 3-DOF parallel mechanism for machining applications, the Orthoglide,” *IEEE Transactions On Robotics and Automation*, Vol. 19/3, pp. 403–410, June, 2003.
- [28] Chablat D., Wenger P., Majou F. and Merlet J.P., “An Interval Analysis Based Study for the Design and the Comparison of 3-DOF Parallel Kinematic Machines,” *International Journal of Robotics Research*, pp. 615–624, Vol.23(6), June, 2004.
- [29] Pashkevich A., Wenger Ph., and Chablat D., “Design strategies for the geometric synthesis of Orthoglide-type mechanisms,” *Mechanism and Machine Theory*, **40**(8), pp. 907–930, August 2005.
- [30] Chablat D., Wenger Ph., “Working modes and aspects in fully-parallel manipulator,” *Proceedings of IEEE International Conference on Robotics and Automation*, pp. 1964–1969, May 1998.
- [31] Wenger Ph., Chablat D., “Definition sets for the direct kinematics of parallel manipulators,” *8th International Conference in Advanced Robotics*, pp. 859-864, 1997.
- [32] Kong, X. and Gosselin, C.M., “Type synthesis of 3-DOF PPR-equivalent parallel manipulators based on screw theory and the concept of virtual chain,” *ASME Journal of Mechanical Design*, **127**(6), 1113–1121.
- [33] Lazard, D. and Rouillier, F., “Solving parametric polynomial systems”, *Journal of Symbolic Computation*, Vol. 42(6):636–667, 2007.
- [34] Collins, G. E., *Quantifier Elimination for Real Closed Fields by Cylindrical Algebraic Decomposition*, Springer Verlag, 1975.
- [35] Manubens M., Moroz G., Chablat D., Wenger P, Rouillier F., “Cusp Points in the Parameter Space of Degenerate 3-RPR Planar Parallel Manipulators,” *ASME J. of Mechanisms and Robotics*, Vol. 4(4), November, 2012.
- [36] Pashkevich A, Chablat D. and Wenger Ph., “Kinematics and workspace analysis of a three-axis parallel manipulator: the Orthoglide,” *Robotica*, **24**(1), pp. 39–49, 2006.