



HAL
open science

Internal control of systems of semilinear coupled 1-D wave equations

Christophe Zhang

► **To cite this version:**

Christophe Zhang. Internal control of systems of semilinear coupled 1-D wave equations. 2017. hal-01517461v2

HAL Id: hal-01517461

<https://hal.science/hal-01517461v2>

Preprint submitted on 6 Apr 2018 (v2), last revised 25 Oct 2018 (v3)

HAL is a multi-disciplinary open access archive for the deposit and dissemination of scientific research documents, whether they are published or not. The documents may come from teaching and research institutions in France or abroad, or from public or private research centers.

L'archive ouverte pluridisciplinaire **HAL**, est destinée au dépôt et à la diffusion de documents scientifiques de niveau recherche, publiés ou non, émanant des établissements d'enseignement et de recherche français ou étrangers, des laboratoires publics ou privés.

Internal controllability of systems of semilinear coupled 1-D wave equations with one control

Christophe ZHANG

Abstract

We study systems of two coupled wave equations in one space dimension, with one control, spatially supported on an arbitrarily small interval. We obtain the controllability of such systems under certain conditions on the coupling. To do this we apply the “fictitious control method” in two cases: general systems with a controllable linearized system, and a particular case where the linearized system is not controllable, namely a cubic coupling.

In the latter case, our proof requires to find nontrivial trajectories of the control system that go from 0 to 0 and having a controllable linearized system. We build these trajectories by adapting (in 1 space dimension) a construction developed by Jean-Michel Coron, Sergio Guerrero and Lionel Rosier for the study of coupled parabolic systems.

Keywords. Wave equations, coupled systems, exact internal controllability, fictitious control method, algebraic solvability, return method.

1 Main results and outline of proof

1.1 Control systems

Let $T > 0$, and $0 < a < b < L$. We study the following class of systems:

$$\begin{cases} u_{tt} - \nu_1^2 u_{xx} = f_1(u, v) + h, & x \in (0, L), \\ v_{tt} - \nu_2^2 v_{xx} = f_2(u, v), & x \in (0, L), \\ u = 0 & \text{on } \{0, L\}, \\ v = 0 & \text{on } \{0, L\}, \end{cases} \quad (1.1)$$

where $h : [0, T] \times [0, L] \rightarrow \mathbb{R}$ is the control, with $\text{supp } h \subset [0, T] \times [a, b]$, and $f_1, f_2 \in C^\infty(\mathbb{R}^2)$, $f_1(0, 0) = f_2(0, 0) = 0$, $\nu_1, \nu_2 \neq 0$. In what follows we shall note, for any $\nu \neq 0$,

$$\square_\nu := \partial_{tt} - \nu^2 \partial_{xx}$$

We will also study the following particular system:

$$\begin{cases} \square_{\nu_1} u = h, & x \in (0, L), \\ \square_{\nu_2} v = u^3, & x \in (0, L), \\ u = 0 & \text{on } \{0, L\}, \\ v = 0 & \text{on } \{0, L\}. \end{cases} \quad (1.2)$$

These are systems of coupled semilinear wave equations, with different speeds, which we seek to control with a single control, which takes the form of a source term in the first equation with a support in $[0, L] \times$

$[a, b]$. In both cases, we will study solutions with $C^k((0, T] \times [0, L])$ regularity in order to establish a controllability result with two controls. Thus, the initial and final conditions $((u_0, u_1), (v_0, v_1), (u_0^f, u_1^f), (v_0^f, v_1^f))$ have to satisfy some compatibility conditions. For example, the conditions of order 1 and 2 read as:

$$\forall \beta \in \{0, L\}, \begin{cases} u_0(\beta) = u_1(\beta) = (u_0^f)(\beta) = (u_1^f)(\beta) = 0, \\ u_0''(\beta) = u_1''(\beta) = (u_0^f)''(\beta) = (u_1^f)''(\beta) = 0, \\ v_0(\beta) = v_1(\beta) = (v_0^f)(\beta) = (v_1^f)(\beta) = 0, \\ v_0''(\beta) = v_1''(\beta) = (v_0^f)''(\beta) = (v_1^f)''(\beta) = 0. \end{cases} \quad (1.3)$$

To write the compatibility conditions of order $k \geq 3$, the idea is to first write the time derivatives of u and v as a function of their lower order derivatives.

There exists a multivariate polynomial $Q_{n,i}^{f_i}$ such that

$$\left(\frac{d}{dt}\right)^n (f_i(u, v)) = Q_{n,i}^{f_i}(J_t^n(u, v)), \quad i = 1, 2, \quad (1.4)$$

where $J_t^n(u, v)$ denotes the n -jet of time derivatives of u and v , that is

$$(u, v, u_t, v_t, \dots, \partial_t^n u, \partial_t^n v).$$

Now, define by recurrence the following family of operators:

$$\begin{cases} \mathcal{D}_1^{(i)} = \partial_t, \\ \mathcal{D}_2^{(i)} = \partial_{xx} + f_i(\cdot, \cdot), \\ \mathcal{D}_n^{(i)} = \partial_{xx} \circ \mathcal{D}_{n-2}^{(i)} + Q_{n-2,i}^{f_i}(J_t^{n-2}(\cdot, \cdot)), \text{ for } 3 \leq n \leq k. \end{cases} \quad (1.5)$$

Then, near the corners $\Gamma := \{(0, 0), (0, L), (T, 0), (T, L)\}$, using the equations of system (1.1) and keeping in mind that the control h is supported away from the corners, we have

$$\begin{cases} \partial_t^n u = \mathcal{D}_n^{(1)}(u, v) \\ \partial_t^n v = \mathcal{D}_n^{(2)}(u, v) \end{cases} \quad (1.6)$$

Now, thanks to the boundary conditions,

$$\partial_t^n u(c) = \partial_t^n v(c) = 0, \quad \forall c \in \Gamma, \forall n \leq k.$$

Moreover, it is clear thanks to the recurrence in (1.5) that there exist multivariate polynomials $P_{n,i}^{f_i}$ such that:

$$\mathcal{D}_n^{(i)}(u, v) = P_{n,i}^{f_i}(J_x^n(u, v), J_x^{n-1}(u_t, v_t), J_t^n(u, v)), \quad \forall n \leq k, i = 1, 2, \quad (1.7)$$

where $J_x^n(u, v)$ denotes the n -jet of space derivatives of u and v . Now, (1.6) can be written in the corners using only $u_0, u_1, u_0^f, u_1^f, v_0, v_1, v_0^f, v_1^f$, which gives the following compatibility conditions of order k :

$$\begin{cases} P_{n,i}^{f_i}(J_x^n(u_0, v_0)(0), J_x^{n-1}(u_1, v_1)(0), (0, \dots, 0)) = 0, \\ P_{n,i}^{f_i}(J_x^n(u_0, v_0)(L), J_x^{n-1}(u_1, v_1)(L), (0, \dots, 0)) = 0, \\ P_{n,i}^{f_i}(J_x^n(u_0^f, v_0^f)(0), J_x^{n-1}(u_1^f, v_1^f)(0), (0, \dots, 0)) = 0, \\ P_{n,i}^{f_i}(J_x^n(u_0^f, v_0^f)(L), J_x^{n-1}(u_1^f, v_1^f)(L), (0, \dots, 0)) = 0, \end{cases} \quad \forall n \leq k, i = 1, 2. \quad (1.8)$$

The existence and uniqueness of solutions to these systems can be derived from TaTsiens Li's general results on quasilinear wave equations (see [LR03] or [Li10, chapter 5, section 5.2]).

In this paper we prove two controllability results: a local result for system (1.1), and a global result for system (1.2).

Theorem 1.1. *Let $R > 0$, and $0 \leq a < b \leq L$, $T > 0$ such that*

$$T > 2(L - b) \max\left(\frac{1}{|\nu_1|}, \frac{1}{|\nu_2|}\right), \quad T > 2a \max\left(\frac{1}{|\nu_1|}, \frac{1}{|\nu_2|}\right). \quad (1.9)$$

If

$$\frac{\partial f_2}{\partial u}(0, 0) \neq 0, \quad (1.10)$$

then there exists $\eta > 0$ such that for initial and final conditions

$$((u_0, u_1), (v_0, v_1), (u_0^f, u_1^f), (v_0^f, v_1^f)) \in (B_{C^{11}([0, L])} \times B_{C^{10}([0, L])}(0, \eta))^4$$

where $B_{C^k}(0, \eta)$ denotes the ball centered in 0 and with radius η in the usual C^k topology, satisfying (1.8) at the order 11, there exists $h \in C^6([0, T] \times [0, L])$ such that

$$\text{supp } h \subset [0, T] \times [a, b], \quad (1.11)$$

and such that the corresponding solution $(u, v) \in C^6([0, T] \times [0, L])^2$ of (1.1) with initial values $((u_0, u_1), (v_0, v_1))$ satisfies

$$\begin{cases} u(T, \cdot) = u_0^f, & u_t(T, \cdot) = u_1^f, \\ v(T, \cdot) = v_0^f, & v_t(T, \cdot) = v_1^f \end{cases}$$

and

$$\|(u, v, h)\|_{(C^6)^3} \leq R. \quad (1.12)$$

Condition (1.10) is necessary and sufficient for the controllability of linear systems (if the dynamics of v does not depend on u there is no hope to control v through u). In contrast, the following theorem shows that it is not necessary in the case of nonlinear systems: system (1.2) does not satisfy (1.10), but we still obtain a controllability result. Moreover, thanks to the system's homogeneity, the result is global.

Theorem 1.2. *Let $0 \leq a < b \leq L$, $T > 0$ satisfying (1.9). There exists a constant $C > 0$ depending on T such that, for any given initial and final conditions*

$$((u_0, u_1), (v_0, v_1), (u_0^f, u_1^f), (v_0^f, v_1^f)) \in (C^{11}([0, L]) \times C^{10}([0, L]))^4$$

satisfying (1.8) at the order 11, there exists $h \in C^6([0, T] \times [0, L])$ such that

$$\text{supp } h \subset [0, T] \times [a, b], \quad (1.13)$$

and such that the corresponding solution $(u, v) \in C^6([0, T] \times [0, L])^2$ of (1.2) with initial values $((u_0, u_1), (v_0, v_1))$ satisfies

$$\begin{cases} u(T, \cdot) = u_0^f, & u_t(T, \cdot) = u_1^f, \\ v(T, \cdot) = v_0^f, & v_t(T, \cdot) = v_1^f \end{cases}$$

and

$$\|h\|_{C^6} \leq C \left(\|(u_0, u_1, u_0^f, u_1^f)\|_{(C^{11} \times C^{10})^2} + \|(v_0, v_1, v_0^f, v_1^f)\|_{(C^{11} \times C^{10})^2}^{\frac{1}{3}} \right). \quad (1.14)$$

1.2 Related results

Control of hyperbolic equations

Fundamental results for the controllability and stabilisation of the linear wave equation can be found in [BLR92]. For quasilinear wave equations, boundary controllability results for scalar systems with C^2 regularity can be found in [Li10, chapter 5], and can be adapted to coupled systems with the same number

of controls and equations, and for C^k regularity. For the semilinear wave equation, local controllability results have been obtained using the implicit function theorem (see [Fat75] and the generalisation by [Che76]). To get global boundary and internal controllability for the semilinear wave equation, under some growth constraints on the nonlinearity, Enrique Zuazua used HUM (Hilbert Uniqueness Method) and introduced a suitable fixed-point method in [Zua93] and [Zua91]. These results have since then been improved successively by [CKL02] and [CKL99], where authors study the one-sided and internal controllability of a semilinear wave equation with an iterated logarithm nonlinearity. Another powerful method to prove controllability results is the Carleman estimates method. It was first used for the semilinear wave equation in [Zha00a] and [Zha00b], where a new Carleman estimate was established to prove internal observability. The estimate worked for globally Lipschitz nonlinearities, with the observer supported in a neighbourhood of some portion of the boundary. More recently, Carleman estimates were used in [FYZ07] to obtain internal controllability of the semilinear wave equation in any space dimension. The control is supported in a neighbourhood of a portion of the boundary (earlier works required the controller to be supported in the neighbourhood of the whole boundary), and the nonlinearity is superlinear. The method of Carleman estimates was also used in [HI11] for mechanical systems of several coupled linear hyperbolic equations (a multilayer Rao-Nakra plate). This yields internal controllability results, with the same number of controls and equations, and controllers supported on an arbitrarily small neighbourhood of some portion of the boundary.

Systems with less controls than equations

Linear case. Regarding controllability with a reduced number of controls, results for boundary and internal control of coupled linear symmetric wave systems have been proved by Fatiha Alabau-Boussouira ([ABL13] and [AB13]) in any space dimension, using energy methods, with more or less strong assumptions on the coupling operators, and in particular in the case where the control domain and the coupling domain do not intersect. This was then used in [AB14] to prove the existence of insensitizing controls for a single wave equation, as this is linked to the controllability of linear cascade systems in one space dimension, with the same speed in both equations. Other methods have been used to deal with a reduced number of controllers, albeit on different types of systems: on the related question of partial observability on a sphere, on top of some results proven by Lions in [Lio88a] and [Lio88b], [KL00] shows a way to deal with a reduced number of controllers using the Fourier expansion of the solutions. They prove that for a generic choice of coupling parameters, and provided the initial conditions of the unobserved components are zero, and the initial conditions of the observed components are orthogonal to a finite-dimensional space (possibly trivial, for example in the one-dimensional case), then partial observability holds.

Nonlinear case. The link between cascade controllability and desensitizing controls has also been explored for semilinear equations in [Teb11], where the author proves the controllability of cascade systems of the form:

$$\begin{cases} \square u + f(u) = h + \xi, \\ \square v + f'(u)v = 0, \\ u = 0, v(t, 0) = \frac{\partial u}{\partial n} \chi_{\Gamma_0} \text{ on } \partial\Omega, \end{cases} \quad (1.15)$$

where Γ_0 is a portion of the boundary, and where f is subject to a growth constraint to have global well-posedness. To prove the controllability of such systems, the author first establishes the controllability of a linear problem, using a form of HUM combined with Carleman estimates. Then, using the Schauder fixed-point theorem, he establishes the controllability of the nonlinear problem.

In other cases, as for system (1.2), the linearized system around 0 is not controllable. A classical tool to handle this problem in finite dimension is the use of iterated Lie brackets, see for example [Isi95, chapter 2], [NvdS90, chapter 3], and [Cor07, chapter 3]. However, this tool does not work for many partial differential equations (see for example [Cor07, chapter 5]). In particular it does not work for our control system (1.2). In that case, a method to handle this situation is the return method. It consists in looking for trajectories going from 0 to 0 and such that the linearized system around them is controllable (return

trajectories). This method has been introduced in [Cor92] for the stabilization of driftless control systems and in [Cor96] and in [Cor93] for the controllability of the Euler equations of incompressible fluids. It is also used in [CGR10] for parabolic systems with cubic coupling. Following this method, in [CGR10] the authors build return trajectories, using the structure of the coupling. Then, using Carleman estimates, they prove the controllability of a family of related parabolic linear systems close to the return trajectory, from which they deduce null-controllability using Kakutani’s fixed-point theorem.

In yet other cases, a phenomenon of loss of derivatives can occur: this can be handled with an inversion theorem of the Nash-Moser type, with a stronger condition on the linearized system. A well-know case is the local controllability of the 1-D Schrödinger equation, which was proved in [Bea05] and [BC06] using a Nash-Moser implicit function theorem. More recently, the controllability of a system of coupled quasilinear first order hyperbolic systems with one control was proved in [ABCO17], using the “fictitious control method” and a Nash-Moser type inversion theorem proven by Gromov, which we will explain in the following section. More precisely the result concerns systems of the form:

$$\begin{cases} u_t + \Lambda_1(u, v)(u, v) + f_1(u, v) = h, \\ v_t + \Lambda_2(u, v)(u, v) + f_2(u, v) = 0, \end{cases}$$

with

$$\frac{\partial f_2}{\partial u}(0, 0) \neq 0. \tag{1.16}$$

The work presented in this article draws from all these situations: we study semilinear systems, as in [Teb11], but of a more general form than (1.15). The idea would then be to prove a controllability result for some sort of linearized system, then use a fixed point theorem (or an inversion theorem) to conclude. However, because of a phenomenon of loss of derivatives, we rather follow the same path as [ABCO17] to get Theorem 1.1. Using Nash-Moser type theorems to deal with the loss of derivatives can lead to technical developments, as in [Bea05] and [BC06]. However, in our case, the theorem of Gromov we use is more “user-friendly”, and requires less work to use. Thus our method has the advantage of not being as computation heavy as as Carleman estimates, and allows for general control domains, whereas the use of Carleman estimates usually requires the control domain to be the neighborhood of some portion of the boundary. For Theorem 1.2 however, condition (1.10) (analogous to (1.16)) is not satisfied. This corresponds to the fact that the linearized system is not controllable, and so we build return trajectories as in [CGR10].

Finally, a remark on the control time is in order: for hyperbolic systems, the control time is usually linked to the speeds of propagation and the size of the domain, as this represents how fast the deformation produced by the control reaches every point of the domain. Now, in the case of a reduced number of controls, one can expect that the indirect action of the control should mean additional control time, or that the control time should not depend only on the geometry of the domains and the propagation speeds, but on some other parameters. For example, in the results of [ABL13], the authors point out that the control time they obtain depends on all the parameters of the system, not only the geometry of the control and coupling domains. Likewise, in [AB13] and [AB14] the control times depend on observability times not only for a single equation, but also for the coupling operator, and in [Teb11], the control time depends on the choice of some function used to establish Carleman estimates. On the other hand, in [ABCO17] as well as in our theorems, the control time is the same as for scalar equations. Indeed, as we will see in what follows, applying the fictitious control method does not change the control time when removing one control, and the control time depends only on the size of the support of the control. Physically speaking, we use the coupling to transmit information from one equation to another (this corresponds to conditions (1.10) and (1.16)) everywhere in the domain, so that the action of the control on the first equation can be transmitted without delay.

1.3 The fictitious control method

The fictitious control method was introduced in [Cor92] and [GBPGa05], and successfully used in [CL14], [ABCO17] and [CG17]. The idea is to first prove a controllability result with two controls (the fictitious controls), then reduce the number of controls, using some sort of fixed-point theorem, namely Theorem 2.1.

In this article, we apply it to second order hyperbolic systems, which present the same problem of loss of derivatives as the systems in [ABCO17]. This loss of derivatives is handled by using Gromov’s notion of algebraic solvability, which allows for differential operators to be inverted in a special way under some condition (infinitesimal inversion) on their derivative. This yields local results around the equilibrium, but we will also work around other trajectories than the stationary trajectory at the equilibrium, in the spirit of the return method, paying close attention to the regularities involved. Indeed, condition (1.10) from Theorem 1.1 is identical to condition (1.16), and is crucial to solve the system algebraically (see Proposition 2.2). If, as in Theorem 1.2, it is not satisfied, then, following the spirit of the return method, one can build trajectories of the system along which such a condition is verified, at least on some appropriate spatial domain.

We can thus sum up our strategy of proof in three steps:

1. Find smooth trajectories around which Theorem 2.1 can be used (when necessary).
2. Prove a local controllability result with two controls (fictitious controls) around the return trajectory, using classical boundary control results.
3. Use Theorem 2.1 to reduce the number of controls to one.

Remark 1.1. *In this method, the controllability of the linearized system is not used directly to obtain controllability of the nonlinear system using a fixed point theorem. Rather, the corresponding condition (1.10) gives us some sort of indication that information is “well transmitted” from the first equation to the second equation, so that what happens with one control in each equation, can be translated into a single control in the first equation.*

This article is organised as follows: in section 2, we illustrate Gromov’s ideas on a linear example, and then prove Theorem 1.1, which is a case where we do not need to find return trajectories. This will allow us to present how Gromov’s ideas can be applied to a system of nonlinear wave equations. In section 3 we prove Theorem 1.2. In this case we need to find return trajectories, and the application of Theorem 2.1 around those trajectories will require a more detailed knowledge of the supports of the return trajectory. Finally section 4 is devoted to possible improvements and further questions on this topic.

2 First case: the linearized system is controllable

As mentioned in section 1.3, we build on the method presented in [ABCO17]. One of the main ingredients of this method is the theory of differential operators, and the notion of algebraic solvability, which we briefly present in the subsection below. The use of algebraic solvability in the study of control systems first appears in [Cor92], where it was used to prove the stabilisability of finite dimensional systems without drift with time-varying feedbacks. It was first used in the context of partial differential equations in [CL14] for the control of the Navier-Stokes equation.

But first let us give an informal explanation of our method in the case of a linear system: first we have to rewrite the control problem using differential operators. We note \mathcal{D} the operator associated with the equation of our control problem. Then, the control problem, given initial and final conditions, consists in finding (u, v) with those initial and final conditions, and a control h such that

$$\mathcal{D}(u, v, h) = 0.$$

This corresponds to an inversion problem, but with a twist: one has to find an inverse image with the right initial and final conditions. Now, using the solutions to forward- and backward-evolving Cauchy

problems corresponding to the initial and final conditions, one can build functions (u, v) with the right initial and final conditions. The nonlinear version of this is done at the beginning of subsection 2.2. In general, one can do this so that for some $\eta > 0$,

$$(h_1, h_2) := \mathcal{D}(u, v, 0) = 0, \forall t \notin [\eta, T - \eta].$$

Now suppose \mathcal{D} is invertible. We can make the following computation, the nonlinear version of which is made in subsection 2.2:

$$\mathcal{D}((u, v, 0) + \mathcal{D}^{-1}(-h_1, -h_2)) = (h_1, h_2) - (h_1, h_2) = 0.$$

This seems to yield a solution to the control problem, however we still need to check that the “corrective term” does not change the initial and final conditions. This is where Gromov’s notion of algebraic solvability comes into play: the right property for \mathcal{D} is not to be invertible, but to be algebraically solvable. That is, that the inverse can also be written as a differential operator:

$$\mathcal{D}^{-1}(-h_1, -h_2) = \sum_r a_r \partial_r(-h_1) + \sum_r b_r \partial_r(-h_2)$$

for some functions a_r, b_r . With this additional property, one can see that, because $-h_1, -h_2$ vanish for $t \notin [\eta, T - \eta]$,

$$\mathcal{D}^{-1}(-h_1, -h_2) = 0, \forall t \notin [\eta, T - \eta].$$

Hence, $(u, v, 0) + \mathcal{D}^{-1}(-h_1, -h_2)$ still has the right initial and final conditions.

2.1 Differential relations and Gromov’s theorem

In this section we sum up some basic notions regarding differential operators, and Gromov’s local inversion theorem for differential operators. More details can be found in [Gro86].

In what follows, \mathcal{Q} is the closure of a non-empty open bounded smooth subset of \mathbb{R}^2 , and $p, q, r \in \mathbb{N}^*$. We note $n_{r,p} := 2 + p \text{ card}\{(\alpha_1, \alpha_2) \in \mathbb{N}^2 \mid \alpha_1 + \alpha_2 \leq r\}$. Recall the definition of the r -jet of a function $z \in C^r(\mathcal{Q})^p$:

$$J^r z(t, x) = \left((t, x), z(t, x), \dots, \frac{\partial^{|\alpha|} z}{\partial t^{\alpha_1} \partial x^{\alpha_2}}, \dots, \frac{\partial^r z}{\partial t^{\alpha_1} \partial x^{\alpha_2}} \right) \in \mathbb{R}^{n_{r,p}}, \forall (t, x) \in \mathcal{Q}.$$

Definition 2.1. A map $\mathcal{D} : C^r(\mathcal{Q})^p \rightarrow C^0(\mathcal{Q})^q$ is a C^∞ nonlinear differential operator of order r if there exists $F \in C^\infty(\mathbb{R}^{n_{r,p}}, \mathbb{R}^q)$ such that

$$\mathcal{D}(z) = F(J^r z), \forall z \in C^r(\mathcal{Q})^p.$$

This clearly implies that \mathcal{D} is C^∞ (with the usual C^r, C^0 topologies), and we denote by

$$\mathcal{L}_z : C^r(\mathcal{Q})^p \rightarrow C^0(\mathcal{Q})^q$$

its Fréchet differential at $z \in C^r(\mathcal{Q})^p$.

We now define some sort of manifold, over which we can invert these operators:

Definition 2.2. A subset \mathcal{A} of $C^d(\mathcal{Q})^p$ is a differential relation of order $d \in \mathbb{N}$ if there exists $\mathcal{R} \subset \mathbb{R}^{n_{d,p}}$ such that

$$\mathcal{A} = \{z \in C^d(\mathcal{Q})^p \mid \forall (t, x) \in \mathcal{Q}, J^d z(t, x) \in \mathcal{R}\}.$$

It is said to be open if \mathcal{R} is an open subset of $\mathbb{R}^{n_{d,p}}$. For $k \in \mathbb{N}$, we note

$$\mathcal{A}^k := \mathcal{A} \cap C^k(\mathcal{Q})^p$$

For classical local inversion theorems, one needs the differential at one point to be invertible. Here the requirement is somewhat stronger: we need the differential at any point to be invertible, with the extra property that the inverse of each differential is also a linear differential operator.

Definition 2.3. Let $\mathcal{A} \subset C^d(\mathcal{Q})^p$ be a differential relation of order d , and let \mathcal{D} be a differential operator of order r . We say that \mathcal{D} admits an infinitesimal inversion of order $s \in \mathbb{N}$ over \mathcal{A} if there exists a family of linear differential operators of order s

$$z \in \mathcal{A}, \mathcal{M}_z : C^s(\mathcal{Q})^q \rightarrow C^0(\mathcal{Q})^p,$$

such that:

1. For every $g \in C^s(\mathcal{Q})^q$, $z \mapsto \mathcal{M}_z(g)$ is a differential operator of order d (possibly nonlinear) and it is a C^∞ -differential operator in (z, g) .
2. (Algebraic solvability) For every $z \in \mathcal{A}^{d+r}$,

$$\mathcal{L}_z \circ \mathcal{M}_z = \text{Id}_{C^{r+s}(\mathcal{Q})}.$$

We can now state Gromov's inversion theorem (see [Gro86, Section 2.3.2, main theorem]):

Theorem 2.1 (Gromov). Let $\mathcal{A} \subset C^d(\mathcal{Q})^p$ be a non-empty open differential relation of order d , and let \mathcal{D} be a differential operator of order r . Assume that \mathcal{D} admits an infinitesimal inversion of order s over \mathcal{A} . Let

$$\sigma_0 > \max(d, 2r + s), \tag{2.1}$$

$$\nu \in (0, \infty). \tag{2.2}$$

Then, there exists a family of sets $\mathcal{B}_z \subset C^{\sigma_0+s}(\mathcal{Q})^q$ and a family of operators $\mathcal{D}_z^{-1} : \mathcal{B}_z \rightarrow \mathcal{A}$ where $z \in \mathcal{A}^{\sigma_0+r+s}$, such that:

1. (Neighbourhood property) For every $z \in \mathcal{A}^{\sigma_0+r+s}$, $0 \in \mathcal{B}_z$ and

$$\mathcal{B} := \bigcup_{z \in \mathcal{A}^{\sigma_0+r+s}} \{z\} \times \mathcal{B}_z$$

is an open subset of $C^{\sigma_0+r+s}(\mathcal{Q})^p \times C^{\sigma_0+s}(\mathcal{Q})^q$.

2. (Inversion property)

$$\mathcal{D}(\mathcal{D}_z^{-1}(g)) = \mathcal{D}(z) + g, \quad \forall (z, g) \in \mathcal{B}. \tag{2.3}$$

3. (Normalisation property)

$$\mathcal{D}_z^{-1}(0) = z, \quad \forall z \in \mathcal{A}^{\sigma_0+r+s}. \tag{2.4}$$

4. (Regularity and continuity) Let $\sigma_0 \leq \sigma_1 \leq \eta_1$, then for all $z \in \mathcal{A}^{\eta_1+r+s}$ and $g \in \mathcal{B}_z^{\sigma_1+s} := \mathcal{B}_z \cap C^{\sigma_1+s}$,

$$\mathcal{D}_z^{-1}(g) \in \mathcal{A}^k, \quad \forall k < \sigma_1. \tag{2.5}$$

Moreover,

$$(z, g) \mapsto \mathcal{D}_z^{-1}(g) \in C^0(\mathcal{A}^{\sigma_0+r+s} \times \mathcal{B}_z^{\sigma_1+s}, \mathcal{A}^k), \quad \forall k < \sigma_1. \tag{2.6}$$

Finally, if $\eta_1 > \sigma_1$, then (2.5) and (2.6) hold for $k = \sigma_1$.

5. (Locality) For every $(t, x) \in \mathcal{Q}$, and for every $(z_1, g_1), (z_2, g_2) \in \mathcal{B}$, if we have

$$(z_1, g_1)(\tilde{t}, \tilde{x}) = (z_2, g_2)(\tilde{t}, \tilde{x}), \quad \forall (\tilde{t}, \tilde{x}) \in B((t, x), \nu) \cap \mathcal{Q},$$

then,

$$\mathcal{D}_{z_1}^{-1}(g_1)(t, x) = \mathcal{D}_{z_2}^{-1}(g_2)(t, x).$$

Remark 2.1. *The neighbourhood property allows to relate the domains of inversion for each local inversion to each other: local inverses at two “neighbouring” points will be defined on domains that have “neighbouring” sizes. In particular that means the domains of inversions are bound to overlap. The locality property tells us that when this happens (albeit locally), the images of the local inverses agree locally. In the linear case, this corresponds to the fact that when a function vanishes on an open set, its image by any linear differential operator also vanishes on this open set (see the beginning of the section).*

2.2 From two controls to one: algebraic solvability

As in the linear case, we first build a trajectory (u, v) with the right initial and final conditions, but with $\mathcal{D}(u, v, 0)$ potentially non-zero on some restricted domain. In terms of control theory, this amounts to solving the control problem with *two* controls (the fictitious controls), with restricted supports. In fact, for systems of the form

$$\begin{cases} \square_{\nu_1} u = f_1(u, v) + h_1, & x \in [0, L], \\ \square_{\nu_2} v = f_2(u, v) + h_2, & x \in [0, L], \\ u = 0 & \text{on } \{0, L\}, \\ v = 0 & \text{on } \{0, L\}, \end{cases} \quad (2.7)$$

where $f_1(0, 0) = f_2(0, 0) = 0$, we have the following local controllability result, which is a consequence of boundary control results presented in [Li10, chapter , sections 5.2 and 5.3]:

Proposition 2.1. *Let $k \geq 2$, $0 \leq a < b \leq L$, $T > 0$ such that (1.9) holds. For every $0 < \delta < \min(T/2, (b - a)/2)$ satisfying*

$$\begin{aligned} T - 2\delta &> 2(L - b + 2\delta) \max\left(\frac{1}{|\nu_1|}, \frac{1}{|\nu_2|}\right), \\ T - 2\delta &> 2(a + 2\delta) \max\left(\frac{1}{|\nu_1|}, \frac{1}{|\nu_2|}\right), \end{aligned} \quad (2.8)$$

there exists $\eta > 0$ such that, for initial and final conditions

$$((u_0, u_1), (v_0, v_1), (u_0^f, u_1^f), (v_0^f, v_1^f)) \in (B_{C^k([0, T] \times [0, L])}(0, \eta) \times B_{C^{k-1}([0, T] \times [0, L])}(0, \eta))^4$$

satisfying (1.8) at the order k , there exist controls $h_1, h_2 \in C^{k-2}([0, T] \times [0, L])$ and constants $C_1, C_2 > 0$ depending on T, δ, k satisfying

$$\text{supp } h_i \subset [\delta, T - \delta] \times [a + \delta, b - \delta], \quad i = 1, 2, \quad (2.9)$$

$$\|h_i\|_{C^{k-2}} \leq C_1 \|((u_0, u_1), (v_0, v_1), (u_0^f, u_1^f), (v_0^f, v_1^f))\|_{(C^k \times C^{k-1})^4}, \quad i = 1, 2, \quad (2.10)$$

such that the corresponding solution of (2.7) with initial values $((u_0, u_1), (v_0, v_1))$ satisfies

$$\begin{cases} u(T, \cdot) = u_0^f, & u_t(T, \cdot) = u_1^f, \\ v(T, \cdot) = v_0^f, & v_t(T, \cdot) = v_1^f. \end{cases}$$

$$\|(u, v)\|_{(C^k)^2} \leq C_2 \|((u_0, u_1), (v_0, v_1), (u_0^f, u_1^f), (v_0^f, v_1^f))\|_{(C^k \times C^{k-1})^4}. \quad (2.11)$$

This result is a particular case of Proposition 3.2 which we will prove in the following section, when dealing with the cubic coupling.

For now, let $R > 0$, $0 \leq a < b \leq L$, and let $T > 0$ be such that (1.9) holds. Let $0 < \delta < \min(T/2, (b - a)/2) / 2$ such that (2.8) holds for 2δ (note that it also holds for δ). Define

$$\mathcal{Q}_\delta := [\delta, T - \delta] \times [a + \delta, b - \delta],$$

$$\mathcal{Q}_{2\delta} := [2\delta, T - 2\delta] \times [a + 2\delta, b - 2\delta],$$

and let $\mathcal{Q} \subset [0, T] \times [a, b]$ be a smooth closed set such that

$$\mathcal{Q}_\delta \subset \overset{\circ}{\mathcal{Q}}.$$

Define the following nonempty open differential relation of order 2:

$$\mathcal{A} = \left\{ (u, v, h) \in (C^2(\mathcal{Q}))^3 \mid \forall (t, x) \in \mathcal{Q}, \frac{\partial f_2}{\partial u}(u(t, x), v(t, x)) \neq 0 \right\}.$$

We define the following nonlinear differential operator $\mathcal{D} : C^2(\mathcal{Q})^3 \rightarrow C^0(\mathcal{Q})^2$ of order $r = 2$:

$$\mathcal{D}((u, v, h)) = (\square_{\nu_1} u - f_1(u, v) - h, \square_{\nu_2} v - f_2(u, v)), \quad \forall (u, v, h) \in C^2(\mathcal{Q})^3,$$

and its differential at $(u, v, h) \in C^2([0, T] \times [0, L])^3$:

$$\mathcal{L}_{(u,v,h)}(\tilde{u}, \tilde{v}, \tilde{h}) = (\square_{\nu_1} \tilde{u} - Df_1(u, v) \cdot (\tilde{u}, \tilde{v}) - \tilde{h}, \square_{\nu_2} \tilde{v} - Df_2(u, v) \cdot (\tilde{u}, \tilde{v})), \quad \forall (\tilde{u}, \tilde{v}, \tilde{h}) \in C^2([0, T] \times [0, L])^3.$$

We now have the following result, thanks to the definition of \mathcal{A} :

Proposition 2.2. *\mathcal{D} admits an infinitesimal inversion of order 2 over \mathcal{A} .*

Proof. Let $h_1, h_2 \in C^4(\mathcal{Q})$, $(u, v, h) \in \mathcal{A}$. Using the fact that $\frac{\partial f_2}{\partial u}(u, v)$ never vanishes, if we set:

$$\begin{aligned} \tilde{v} &= 0, \\ \tilde{u} &= -\frac{h_2}{\frac{\partial f_2}{\partial u}(u, v)}, \\ \tilde{h} &= \square_{\nu_1} \tilde{u} - \frac{\partial f_1}{\partial u}(u, v) \tilde{u} - h_1, \end{aligned}$$

then we have

$$\mathcal{L}_{(u,v,h)}(\tilde{u}, \tilde{v}, \tilde{h}) = (h_1, h_2).$$

Moreover, the above formulae clearly show that $(u, v, h) \mapsto \mathcal{L}_{(u,v,h)}(\tilde{u}, \tilde{v}, \tilde{h})$ is a (nonlinear, C^∞ with the usual topology of $C^2(\mathcal{Q})$) differential operator of order 2 on $C^2(\mathcal{Q})$, and $(u, v, h, \tilde{u}, \tilde{v}, \tilde{h}) \mapsto \mathcal{L}_{(u,v,h)}(\tilde{u}, \tilde{v}, \tilde{h})$ is also C^∞ . \square

We can now apply Theorem 2.1 with $d = 2$, $s = 2$, $r = 2$, $\sigma_0 = 7$, $\nu = \delta/2$. This yields a collection of open sets, which all contain 0,

$$\mathcal{B}_z \subset (C^9(\mathcal{Q}))^2, \quad z \in \mathcal{A}^{11},$$

the open subset of $(C^{11}(\mathcal{Q}))^3 \times (C^9(\mathcal{Q}))^2$

$$\mathcal{B} = \bigcup_{z \in \mathcal{A}^{11}} \{z\} \times \mathcal{B}_z,$$

and the collection of operators

$$\mathcal{D}_z^{-1} : \mathcal{B}_z \rightarrow \mathcal{A}, \quad z \in \mathcal{A}^{11}.$$

Now, thanks to condition (1.10),

$$(0, 0, 0) \in \mathcal{A},$$

$$\mathcal{D}(0, 0, 0) = (0, 0),$$

and

$$((0, 0, 0), (0, 0)) \in \mathcal{B},$$

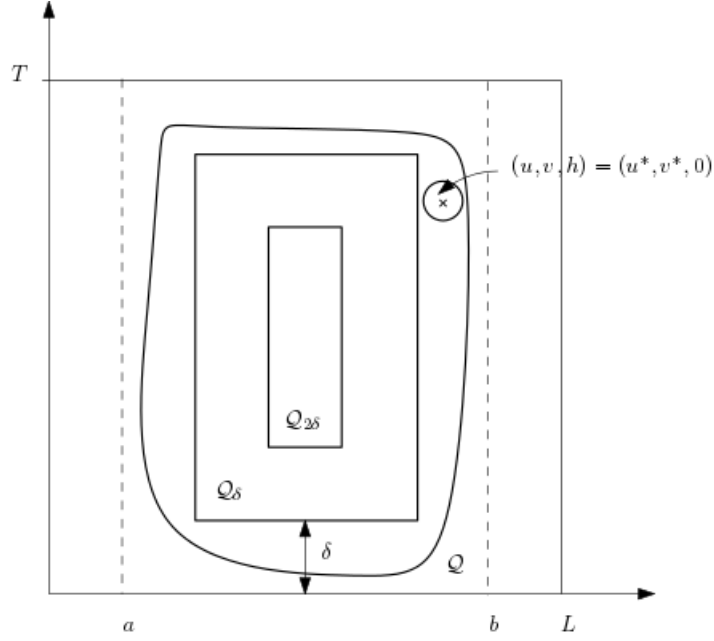


Figure 1: *Matching trajectories with two controls and with a single control on the appropriate domain.*

so that, thanks to the neighbourhood property of Theorem 2.1, there exists $\varepsilon > 0$ such that

$$(B_{C^{11}(\mathcal{Q})}((0, 0, 0), \varepsilon))^3 \times (B_{C^9(\mathcal{Q})}((0, 0), \varepsilon))^2 \subset \mathcal{B}. \quad (2.12)$$

By the continuity property of Theorem 2.1 with $\eta_1 = \sigma_1 = \sigma_0 = 7$, there exists $\eta > 0$ such that for $\|((u, v, h), (h_1, h_2))\|_{(C^{11})^3 \times (C^9)^2} \leq \eta$,

$$\|\mathcal{D}_{(u,v,h)}^{-1}(h_1, h_2)\|_{(C^6)^3} \leq R.$$

Proposition 2.1 with $k = 11$ yields $\eta' > 0$ such that for any initial and final conditions

$$((u_0, u_1), (v_0, v_1), (u_0^f, u_1^f), (v_0^f, v_1^f)) \in (B_{C^{11}([0,T] \times [0,L])}(0, \eta') \times B_{C^{10}([0,T] \times [0,L])}(0, \eta'))^4,$$

there exist two controls $h_1, h_2 \in C^9([0, T] \times [0, L])$, supported in $\mathcal{Q}_{2\delta}$ (condition (2.9)), that steer system (2.7) from the given initial conditions to the given final conditions, with the corresponding trajectory (u^*, v^*) satisfying (2.11). Together with (2.12), this implies that there exists $\eta' \geq \eta'' > 0$ such that for initial and final conditions

$$((u_0, u_1), (v_0, v_1), (u_0^f, u_1^f), (v_0^f, v_1^f)) \in (B_{C^{11}([0,T] \times [0,L])}(0, \eta'') \times B_{C^{10}([0,T] \times [0,L])}(0, \eta''))^4,$$

the corresponding trajectory of system (2.7) satisfies

$$\mathcal{D}(u_{|\mathcal{Q}}^*, v_{|\mathcal{Q}}^*, 0) = (h_{1|\mathcal{Q}}, h_{2|\mathcal{Q}}), \quad (2.13)$$

$$\left((u_{|\mathcal{Q}}^*, v_{|\mathcal{Q}}^*, 0), (-h_{1|\mathcal{Q}}, -h_{2|\mathcal{Q}}) \right) \in \mathcal{B}. \quad (2.14)$$

$$\|((u^*, v^*, 0), (h_1, h_2))\|_{(C^{11})^3 \times (C^9)^2} \leq \min(R, \eta). \quad (2.15)$$

Let us now set, keeping in mind the regularity property of Theorem 2.1 with $\eta_1 = \sigma_1 = \sigma_0 = 7$,

$$(u, v, h) = \mathcal{D}_{(u_{|\mathcal{Q}}^*, v_{|\mathcal{Q}}^*, 0)}^{-1}(-h_{1|\mathcal{Q}}, -h_{2|\mathcal{Q}}) \in \mathcal{A}^6.$$

Then, by the inversion property of Theorem 2.1, and (2.13),

$$\mathcal{D}(u, v, h) = \mathcal{D}(u|_{\mathcal{Q}}, v|_{\mathcal{Q}}, 0) - (h_1|_{\mathcal{Q}}, h_2|_{\mathcal{Q}}) = (0, 0).$$

Now, let us show that $(u, v, h) = (u^*, v^*, 0)$ on $\mathring{\mathcal{Q}} \setminus \mathcal{Q}_{\delta'}$. This will allow us to extend (u, v, h) on $([0, T] \times [0, L]) \setminus \mathcal{Q}$.

Let $(t, x) \in \mathcal{Q} \setminus \mathcal{Q}_{\delta}$. As the h_i are supported in $\mathcal{Q}_{2\delta}$,

$$((u^*, v^*, 0), (-h_1, -h_2)) = ((u^*, v^*, 0), (0, 0)) \quad \text{on } B\left((t, x), \frac{\delta}{2}\right) \cap \mathcal{Q}. \quad (2.16)$$

Thus, using the locality property of Theorem 2.1,

$$\mathcal{D}_{(u^*|_{\mathcal{Q}}, v^*|_{\mathcal{Q}}, 0)}^{-1}(-h_1|_{\mathcal{Q}}, -h_2|_{\mathcal{Q}})(t, x) = \mathcal{D}_{(u^*|_{\mathcal{Q}}, v^*|_{\mathcal{Q}}, 0)}^{-1}(0, 0)(t, x), \quad (2.17)$$

that is, using the normalisation property:

$$(u, v, h)(t, x) = (u^*, v^*, 0)(t, x). \quad (2.18)$$

We can now extend (u, v, h) by setting

$$(u, v, h)(t, x) = (u^*, v^*, 0)(t, x), \quad \forall (t, x) \in [0, T] \times [0, L] \setminus \mathcal{Q}. \quad (2.19)$$

Then,

$$\text{supp } h \subset [0, T] \times [a, b],$$

and (u, v) satisfies the same initial, boundary and final conditions as (u^*, v^*) :

$$\begin{cases} (u, v)(0, \cdot) = (u_0, v_0), & (u_t, v_t)(0, \cdot) = (u_1, v_1) \\ (u, v)(T, \cdot) = (u_0^f, v_0^f), & (u_t, v_t)(T, \cdot) = (u_1^f, v_1^f) \end{cases} \quad (2.20)$$

$$\begin{cases} u(\cdot, 0) = u(\cdot, L) = 0 \\ v(\cdot, 0) = v(\cdot, L) = 0 \end{cases} \quad (2.21)$$

and

$$\begin{cases} \square_{\nu_1} u = f_1(u, v) + h, \\ \square_{\nu_2} v = f_2(u, v), \end{cases} \quad (2.22)$$

Finally, we get (1.12) from (2.15) and the continuity property of Theorem 2.1. This proves Theorem 1.1.

Remark 2.2. *Theorem 1.1 actually holds for coupled quasilinear equations:*

$$\begin{cases} \partial_{tt}u - \partial_x(K_1(u, \partial_x u)) = f_1(u, v) + h, & x \in [0, L], \\ \partial_{tt}v - \partial_x(K_2(v, \partial_x v)) = f_2(u, v), & x \in [0, L], \\ u = 0 \text{ on } \{0, L\}, \\ v = 0 \text{ on } \{0, L\}, \end{cases} \quad (2.23)$$

where $f_1(0, 0) = f_2(0, 0) = 0$, $K_1, K_2 \in C^\infty(\mathbb{R}^2)$, and $K_1(0, 0) = K_2(0, 0) = 0$. One can check that when one modifies the recurrence relation in (1.5) to match the new equations, the operators can still be written using only $J_x^n(u, v)$, $J_x^{n-1}(u_t, v_t)$ and $J_t^n(u, v)$, and thus the compatibility conditions will have the same form as (1.8).

Indeed, in this case we can still use Li's results for the perturbed quasilinear system, as we consider the "perturbations" around 0. This will yield a "universal" time condition, because the propagation speeds are close to $\min(\sqrt{\partial_2 K_1(0, 0)}, \sqrt{\partial_2 K_2(0, 0)})$ for the perturbed system. On the other hand if we work around a nonzero trajectory (return method), the perturbed quasilinear system could present quite smaller propagation speeds. The final time condition would then depend on the return trajectories that are found.

Theorem 2.2. *Let $R > 0$, $0 \leq a < b \leq L$, $T > 0$ such that*

$$\begin{aligned} T &> 2(L - b) \max \left(\left(\sqrt{\partial_2 K_1(0, 0)} \right)^{-1}, \left(\sqrt{\partial_2 K_2(0, 0)} \right)^{-1} \right), \\ T &> 2a \max \left(\left(\sqrt{\partial_2 K_1(0, 0)} \right)^{-1}, \left(\sqrt{\partial_2 K_2(0, 0)} \right)^{-1} \right). \end{aligned} \quad (2.24)$$

If

$$\frac{\partial f_2}{\partial u}(0, 0) \neq 0, \quad (2.25)$$

then there exists $\eta > 0$ such that for initial and final conditions

$$((u_0, u_1), (v_0, v_1), (u_0^f, u_1^f), (v_0^f, v_1^f)) \in B_{(C^{11}([0, L]) \times C^{10}([0, L]))^4}(0, \eta)$$

compatible at the order 11, there exists $h \in C^6([0, T] \times [0, L])$ such that

$$\text{supp } h \subset [0, T] \times [a, b], \quad (2.26)$$

and such that the corresponding solution $(u, v) \in C^6([0, T] \times [0, L])$ of (2.23) with initial values $((u_0, u_1), (v_0, v_1))$ satisfies

$$\begin{cases} u(T, \cdot) = u_0^f, & u_t(T, \cdot) = u_1^f, \\ v(T, \cdot) = v_0^f, & v_t(T, \cdot) = v_1^f \end{cases}$$

and inequality (1.12) holds.

3 Second case: an example with an uncontrollable linearized system

We now turn to system (1.2). As mentioned before, it does not satisfy condition (1.10), in other words, the linearized system around 0 is not controllable. Indeed, for

$$\begin{cases} \square_{\nu_1} u = h, \\ \square_{\nu_2} v = 0, \\ u|_{\partial\Omega} = 0, \\ v|_{\partial\Omega} = 0, \end{cases} \quad (3.1)$$

the control h gives us no influence on the dynamics of v .

Thus, the computations from the beginning of subsection 2.2 do not hold: we cannot work around the stationary trajectory 0, thus we need to find another trajectory around which to work. More precisely, keeping in mind Proposition 2.2, we look for a return trajectory $(\bar{u}, \bar{v}, \bar{h})$ going from 0 to 0 such that for some smooth closed set $\mathcal{Q} \subset [0, T] \times [a, b]$, we have

$$\forall (t, x) \in \mathcal{Q}, \frac{\partial f_2}{\partial u}(\bar{u}(t, x), \bar{v}(t, x)) = 3\bar{u}^2(t, x) \neq 0. \quad (3.2)$$

Additionally, \mathcal{Q} will have to satisfy some properties so that a result with two controls can be proved.

To find such a trajectory, we follow the same idea as in [CGR10], where return trajectories are built for coupled heat equations with a cubic coupling. The additional derivative in time simply adds terms and makes for heavier computations. However, condition (3.2) will account for additional work.

We will then prove and use a more general controllability result with two controls. After that, the application of Gromov's theorem is rather straightforward.

3.1 A preliminary construction: elementary trajectories

In this subsection, we describe a construction of a smooth trajectory of system (1.2) that goes from 0 to 0. For now we consider condition (3.2) but without any special requirements for \mathcal{Q} .

In what follows, we suppose, without loss of generality (by scaling the space variable) that $\nu_2 = 1$.

To build trajectories that start at 0 and return there, the idea is to use the cascade structure of the equation: first we find a $C^\infty([-1, 1] \times [0, 1])$ function \bar{v} such that $\square\bar{v}$ is the third power of a $C^\infty([-1, 1] \times [0, 1])$ function \bar{u} . By setting the right conditions at the start and end times, this gives us a return trajectory. The corresponding control will then be $\square_{\nu_1}\bar{u}$.

Let us recall that $x \mapsto \sqrt[3]{x}$ is C^∞ on \mathbb{R}^* . So, by composition, the cubic root of a C^∞ function f is C^∞ at all the points where f is non-zero. At the points where f vanishes, by Taylor's formula, a fairly simple sufficient condition for $\sqrt[3]{f}$ to be C^∞ at those points is for f to vanish, along with its first and second derivatives, while its third derivative is non-zero.

Now, to find functions whose image by the wave operator is a third power of a C^∞ function, we consider the solutions to the corresponding stationary problem, namely functions whose Laplacian is the third power of a C^∞ function. The solution of this problem corresponds to the following proposition, proven (with 1/2 instead of 3/4) in [CGR10]:

Proposition 3.1 (Coron, Guerrero, Rosier). *There exist $\delta', \delta'', g \in C^\infty([0, 1])$, $G \in C^\infty([0, 1])$ such that*

$$\left\{ \begin{array}{l} g'' = G, \\ g(z) = 1 - z^2 \text{ on } [0, \delta''], \\ g(z) = e^{-\frac{1}{1-z^2}} \text{ on } [1 - \delta', 1), \\ G(z) \left(z - \frac{3}{4} \right) > 0 \text{ for } z \in (0, 1) \setminus \left\{ \frac{3}{4} \right\}, \\ G(z) = \left(z - \frac{3}{4} \right)^3 \text{ on } \left[\frac{3}{4} - \frac{\delta''}{2}, \frac{3}{4} + \frac{\delta''}{2} \right], \end{array} \right. \quad (3.3)$$

In a sense, this proposition gives us the simplest example of functions the second derivative of which is the third power of a smooth function: $G = g''$ vanishes exponentially in 1, and has only one vanishing point on $[0, 1)$, around which it has a cubic behaviour. The idea of the construction is then to perturb this function of space and make it evolve in time, so slightly as to preserve the properties 3.3 of the stationary problem. Let $0 \leq a < b \leq L$, and $T > 0$ such that (1.9) holds.

Let $0 < \delta < \min(T/2, (b-a)/2)$ such that (3.4) holds. Set λ_0 to be a function such that

$$\begin{aligned} \lambda_0(t) &= e^{-\sqrt{\frac{1}{t(T-t)}}} \quad \forall t \in \left(0, \frac{\delta}{2}\right] \cup \left[T - \frac{\delta}{2}, T\right), \\ \lambda_0(0) &= \lambda_0(T) = 0, \\ \lambda_0(t) &> 0, \quad \forall t \in (0, T), \\ \lambda_0([\delta, T - \delta]) &= \{1\}, \end{aligned} \quad (3.4)$$

and write $\lambda := \varepsilon\lambda_0$ for some ε to be determined.

Remark 3.1. *In [CGR10], the authors take*

$$\lambda(t) = \varepsilon t^2(1-t)^2. \quad (3.5)$$

In our case however, we will see that we need to fit a rectangle of the form $[\delta, T - \delta] \times [x_0 - \xi, x_0 + \xi]$ inside the support of \bar{u} , see Figure 3. With a polynomial as in (3.5), the smaller $\delta > 0$ gets, the smaller ξ has to be. This in itself would not be an obstruction to prove our controllability result, but using definition (3.4) has the advantage to fix the width of the rectangle for all δ satisfying (2.8).

Set

$$\begin{aligned} f_0(t) &= e^{-\frac{1}{t(T-t)}}, \quad \forall t \in (0, T), \\ f_0(0) &= f_0(T) = 0, \end{aligned} \quad (3.6)$$

Finally, let g_0 be the solution to the stationary problem (see Proposition 3.1). Let $x_0 \in (0, L)$, and choose $\varepsilon \leq \min(x_0, L - x_0)$. We now look for \bar{v} in the form

$$\bar{v}(t, x) = \sum_{i=0}^3 f_i(t) g_i \left(\frac{|x - x_0|}{\lambda(t)} \right). \quad (3.7)$$

Note that the fact that f_0 vanishes faster than λ at 0 and T compensates the singularity that occurs in the term $|x - x_0|/\lambda(t)$ of the first term of the sum. We will see that the f_i have a similar property, thus ensuring that functions of the form above are indeed C^∞ . We also require that the g_i satisfy

$$\text{supp } g_i \subset \left[\frac{3}{4} - \frac{\delta''}{2}, \frac{3}{4} + \frac{\delta''}{2} \right], \quad \forall i \in \{1, 2, 3\}, \quad (3.8)$$

where δ'' is as defined in Proposition 3.1, so that

$$\text{supp } (\bar{u}, \bar{v}, \bar{h}) \subset [0, T] \times [x_0 - \varepsilon, x_0 + \varepsilon]. \quad (3.9)$$

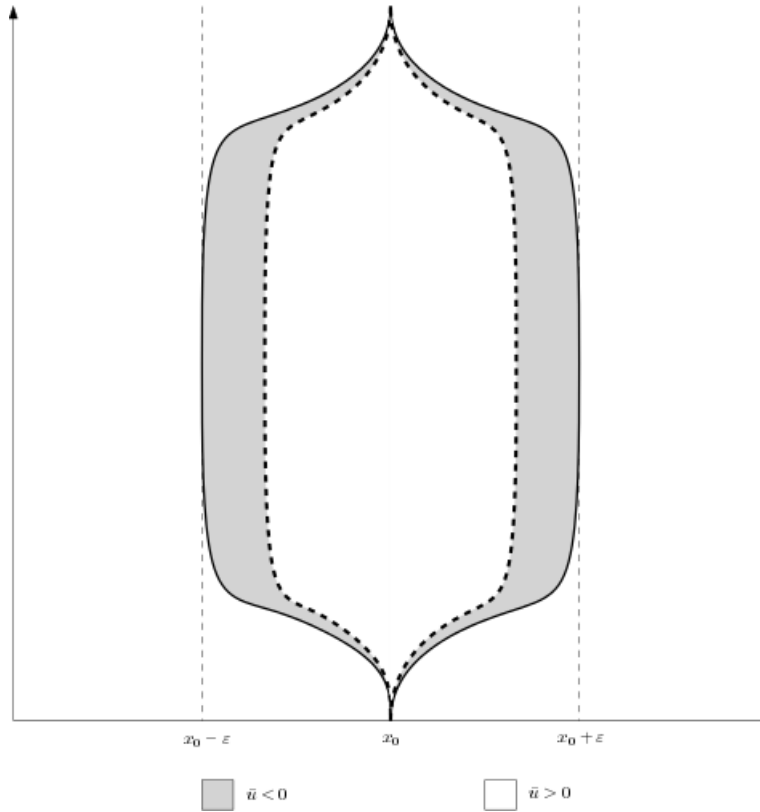


Figure 2: The support of the trajectory $(\bar{u}, \bar{v}, \bar{h})$. The dashed line represents the vanishing points of $\square \bar{v}$ (or, equivalently, \bar{u}).

Let us then set, in order to simplify the notations for our computations:

$$z := \frac{|x - x_0|}{\lambda(t)},$$

$$V(t, x) := \square \bar{v} = \bar{v}_{tt} - \bar{v}_{xx},$$

which we note, in the new set of variables,

$$\mathcal{V}(t, z) := V(t, \lambda(t)z).$$

We are now looking for functions f_i and g_i such that $V^{\frac{1}{3}}$ is of class C^∞ . In order to achieve this, we will work with the new set of variables (t, z) , and study \mathcal{V} . We now need to have precise knowledge of the behaviour of \mathcal{V} when it vanishes.

More precisely, the aim is to write \mathcal{V} near $\frac{3}{4}$ as:

$$\lambda^2 \mathcal{V} = \left(z - \frac{3}{4}\right)^3 \varphi(t, z), \text{ with } \varphi \in C^\infty \left([0, T] \times \left[\frac{3}{4} - \frac{\delta''}{2}, \frac{3}{4} + \frac{\delta''}{2} \right] \right), \varphi < 0 \text{ for } t \neq 0, T.$$

Note that φ has to be negative because of the minus sign in the wave operator. Hence, we look for \mathcal{V} satisfying

$$\begin{aligned} \mathcal{V}_z \left(\cdot, \frac{3}{4} \right) &= 0, \\ \mathcal{V}_{zz} \left(\cdot, \frac{3}{4} \right) &= 0, \\ \mathcal{V}_{zzz} &\leq -C f_0 \text{ on } [0, T] \times \left[\frac{3}{4} - \frac{\delta''}{2}, \frac{3}{4} + \frac{\delta''}{2} \right], \text{ where } C > 0. \end{aligned}$$

Additionally, since we have the following condition on G :

$$G(z) \left(z - \frac{3}{4} \right) > 0 \text{ for } z \in (0, 1) \setminus \left\{ \frac{3}{4} \right\},$$

we will make sure to have

$$\mathcal{V}(t, z) \left(z - \frac{3}{4} \right) < 0, \forall (t, z) \in (0, T) \times \left((0, 1) \setminus \left\{ \frac{3}{4} \right\} \right).$$

Let us now compute \mathcal{V} and its first, second and third derivatives:

$$\begin{aligned} \bar{v}_{tt} &= \sum_{i=0}^3 \ddot{f}_i g_i - 2 \dot{f}_i z \dot{\lambda} g'_i - f_i \left(z \frac{\lambda \ddot{\lambda} - 2 \dot{\lambda}^2}{\lambda^2} g'_i - z^2 \left(\frac{\dot{\lambda}}{\lambda} \right)^2 g''_i \right), \\ \bar{v}_{xx} &= \lambda^{-2} f_0 G + \sum_{i=1}^3 f_i \lambda^{-2} g''_i. \end{aligned}$$

$$\begin{aligned} \lambda^2 \mathcal{V} &= -(1 - z^2 \dot{\lambda}^2) f_0 G + \lambda^2 \ddot{f}_0 g_0 - 2 \dot{f}_0 z \dot{\lambda} \lambda g'_0 - z (\lambda \ddot{\lambda} - 2 \dot{\lambda}^2) f_0 g'_0 + \sum_{i=1}^3 (\lambda^2 \ddot{f}_i g_i - 2 \dot{f}_i z \dot{\lambda} \lambda g'_i \\ &\quad - f_i (z (\lambda \ddot{\lambda} - 2 \dot{\lambda}^2) g'_i - z^2 \dot{\lambda}^2 g''_i) - f_i g''_i) \\ &= -(1 - z^2 \dot{\lambda}^2) f_0 G + \lambda^2 \ddot{f}_0 g_0 - 2 \dot{f}_0 z \dot{\lambda} \lambda g'_0 - z (\lambda \ddot{\lambda} - 2 \dot{\lambda}^2) f_0 g'_0 + \sum_{i=1}^3 (\lambda^2 \ddot{f}_i g_i - 2 \dot{f}_i z \dot{\lambda} \lambda g'_i \\ &\quad - f_i [z (\lambda \ddot{\lambda} - 2 \dot{\lambda}^2) g'_i + (1 - z^2 \dot{\lambda}^2) g''_i]). \end{aligned}$$

Now, for ε small enough (note that this depends on the value of δ),

$$1 - (\varepsilon z \dot{\lambda}_0(t))^2 > \frac{1}{2}, \quad \forall (t, z) \in [0, T] \times [0, 1] \quad (3.10)$$

and, using the notation λ ,

$$\left\| \frac{1}{1 - \left(\frac{3}{4}\dot{\lambda}\right)^2} \right\|_{C^2([0, T])} \leq 10. \quad (3.11)$$

Now, if we impose

$$\begin{cases} g_i^{(j)}\left(\frac{3}{4}\right) = 0 \quad \forall i \in \{1, 2, 3\}, j \in \{0, 1, 2\} \quad (i, j) \neq (1, 2) \\ g_1^{(2)}\left(\frac{3}{4}\right) = 1 \end{cases} \quad (3.12)$$

and if we define f_1 by

$$f_1 := \frac{1}{1 - \left(\frac{3}{4}\dot{\lambda}\right)^2} \left(\lambda^2 g_0\left(\frac{3}{4}\right) \ddot{f}_0 - 2\frac{3}{4}\dot{\lambda} \lambda g_0'\left(\frac{3}{4}\right) \dot{f}_0 - \frac{3}{4}(\lambda\ddot{\lambda} - 2\dot{\lambda}^2) g_0'\left(\frac{3}{4}\right) f_0 \right), \quad (3.13)$$

we get:

$$\lambda^2 \mathcal{V}\left(\cdot, \frac{3}{4}\right) = 0.$$

We now compute the first derivative of \mathcal{V} :

$$\begin{aligned} \lambda^2 \mathcal{V}_z &= -(1 - z^2 \dot{\lambda}^2) f_0 G' + (2z \dot{\lambda}^2 - z(\lambda\ddot{\lambda} - 2\dot{\lambda}^2)) f_0 G - 2z \dot{\lambda} \lambda \dot{f}_0 G + \lambda^2 \ddot{f}_0 g_0' - 2\dot{f}_0 \dot{\lambda} \lambda g_0' \\ &\quad - (\lambda\ddot{\lambda} - 2\dot{\lambda}^2) f_0 g_0' + \sum_{i=1}^3 \lambda^2 \ddot{f}_i g_i' - 2\dot{f}_i z \dot{\lambda} \lambda g_i'' - 2\dot{f}_i \dot{\lambda} \lambda g_i' - f_i [(\lambda\ddot{\lambda} - 2\dot{\lambda}^2) g_i' - 2z \dot{\lambda}^2 g_i''] \\ &\quad - f_i [z(\lambda\ddot{\lambda} - 2\dot{\lambda}^2) g_i'' + (1 - z^2 \dot{\lambda}^2) g_i^{(3)}] \\ &= -(1 - z^2 \dot{\lambda}^2) f_0 G' + (4z \dot{\lambda}^2 + z \lambda \ddot{\lambda}) f_0 G - 2z \dot{\lambda} \lambda \dot{f}_0 G + \lambda^2 \ddot{f}_0 g_0' - 2\dot{f}_0 \dot{\lambda} \lambda g_0' - (\lambda\ddot{\lambda} - 2\dot{\lambda}^2) f_0 g_0' \\ &\quad + \sum_{i=1}^3 \lambda^2 \ddot{f}_i g_i' - 2\dot{f}_i \dot{\lambda} \lambda (z g_i'' + g_i') - f_i [(\lambda\ddot{\lambda} - 2\dot{\lambda}^2) g_i' + z(\lambda\ddot{\lambda} - 4\dot{\lambda}^2) g_i'' + (1 - z^2 \dot{\lambda}^2) g_i^{(3)}]. \end{aligned}$$

Again, we impose

$$g_i^{(3)}\left(\frac{3}{4}\right) = \begin{cases} 0 & \text{if } i \in \{1, 3\}, \\ 1 & \text{if } i = 2, \end{cases} \quad (3.14)$$

and we set

$$\begin{aligned} f_2 &:= \frac{1}{1 - \left(\frac{3}{4}\dot{\lambda}\right)^2} \left[\lambda^2 g_0'\left(\frac{3}{4}\right) \ddot{f}_0 - \dot{\lambda} \lambda g_0'\left(\frac{3}{4}\right) \dot{f}_0 - 2\dot{\lambda} \lambda g_0\left(\frac{3}{4}\right) \dot{f}_0 \right. \\ &\quad \left. - (\lambda\ddot{\lambda} - 2\dot{\lambda}^2) g_0'\left(\frac{3}{4}\right) f_0 - 2\frac{3}{4}\dot{\lambda} \lambda f_1 - \frac{3}{4}(\lambda\ddot{\lambda} - 4\dot{\lambda}^2) f_1 \right] \end{aligned} \quad (3.15)$$

so that

$$\lambda^2 \mathcal{V}_z\left(\cdot, \frac{3}{4}\right) = 0.$$

Finally,

$$\begin{aligned} \lambda^2 \mathcal{V}_{zz} &= -(1 - z^2 \dot{\lambda}^2) f_0 G'' + (6z \dot{\lambda}^2 + z \lambda \ddot{\lambda}) f_0 G' - 2z \dot{\lambda} \lambda \dot{f}_0 G' + 6\dot{\lambda}^2 f_0 G - 4\dot{\lambda} \lambda \dot{f}_0 G + \lambda^2 \ddot{f}_0 G \\ &\quad + \sum_{i=1}^3 \lambda^2 \ddot{f}_i g_i'' - 2\dot{f}_i \dot{\lambda} \lambda (2g_i'' + z g_i^{(3)}) - f_i [(2\lambda\ddot{\lambda} - 6\dot{\lambda}^2) g_i'' + z(\lambda\ddot{\lambda} - 6\dot{\lambda}^2) g_i^{(3)} + (1 - z^2 \dot{\lambda}^2) g_i^{(4)}]. \end{aligned}$$

Again we impose

$$g_i^{(4)}\left(\frac{3}{4}\right) = \begin{cases} 0 & \text{if } i \in \{1, 2\}, \\ 1 & \text{if } i = 3, \end{cases} \quad (3.16)$$

then, by setting:

$$f_3 = \frac{1}{1 - (\frac{3}{4}\lambda)^2} \left[-(2\lambda\dot{\lambda} + 2\dot{\lambda}^2)f_1 - 4\lambda\dot{\lambda}f_1 + \lambda^2\ddot{f}_1 - \frac{3}{4}(\lambda\ddot{\lambda} - 6\dot{\lambda}^2)f_2 - 2\frac{3}{4}\dot{\lambda}\lambda\dot{f}_2 \right] \quad (3.17)$$

we get:

$$\lambda^2\mathcal{V}_{zz} \left(\cdot, \frac{3}{4} \right) = 0.$$

Now all that remains is to estimate the third derivative: on $[0, T] \times \left[\frac{3}{4} - \frac{\delta''}{2}, \frac{3}{4} + \frac{\delta''}{2} \right]$, by definition of G , we have

$$\lambda^2\mathcal{V}_{zzz} = -6K_{\frac{3}{4}}(1 - z^2\dot{\lambda}^2)f_0 + \mathcal{R}_0 + \mathcal{R}, \quad (3.18)$$

with:

$$\mathcal{R}_0 := z(8\dot{\lambda}^2 + \ddot{\lambda}\lambda)f_0G'' - 2z\dot{\lambda}\lambda\dot{f}_0G'' + (12\dot{\lambda}^2 + \lambda\ddot{\lambda})f_0G' - 6\dot{\lambda}\lambda\dot{f}_0G' + \lambda^2\ddot{f}_0G', \quad (3.19)$$

and

$$\mathcal{R} := \sum_{i=1}^3 \lambda^2\ddot{f}_i g_i^{(3)} - 2\dot{f}_i\dot{\lambda}\lambda(3g_i^{(3)} + zg_i^{(4)}) - f_i \left[(3\ddot{\lambda}\lambda - 12\dot{\lambda}^2)g_i^{(3)} + (z\lambda\ddot{\lambda} - 8z\dot{\lambda}^2)g_i^{(4)} + (1 - z^2\dot{\lambda}^2)g_i^{(5)} \right]. \quad (3.20)$$

Let us note that (3.6), combined with the properties of exponential functions, yields

$$\left(\frac{d}{dt} \right)^n f_0 = F_n(t)f_0(t), \quad \forall n \in \mathbb{N}, \quad (3.21)$$

where the F_n are rational fractions, the poles of which are 0 and T . Now, one can see in (3.19), (3.13), (3.15) and (3.17) that the divergent behaviour of these fractions near 0 and T is always compensated by the exponential behaviour of λ and its derivatives. Furthermore, differentiating the f_i does not change this fact. Hence, keeping (3.11) in mind:

$$\begin{aligned} \mathcal{R}_0 &= \varepsilon^2\mathcal{O}(f; t, z), \\ f_1^{(n)} &= \varepsilon^2\mathcal{O}(f_0; t), \quad \forall n \in \mathbb{N}, \\ f_2^{(n)} &= \varepsilon^2\mathcal{O}(f_0; t), \quad \forall n \in \mathbb{N}, \\ f_3^{(n)} &= \varepsilon^4\mathcal{O}(f_0; t), \quad \forall n \in \mathbb{N}, \end{aligned} \quad (3.22)$$

where the notation $\mathcal{O}(f; t)$ (resp. $\mathcal{O}(f; t, z)$) means f times a bounded function of time on $[0, T]$ (resp. time and space). Hence, near $\frac{3}{4}A$, we have

$$\mathcal{R}_0 + \mathcal{R} = \varepsilon^2\mathcal{O}(f_0; t, z), \quad (3.23)$$

the dominant term being $\ddot{f}_1(1 - z^2\dot{\lambda}^2)g_i^{(5)}$. Consequently, using (3.18) and (3.23), for a small enough ε , there exists a constant $C > 0$ such that:

$$\lambda^2\mathcal{V}_{zzz} \leq -Cf_0 \text{ on } \left[\frac{3}{4} - \frac{\delta''}{2}, \frac{3}{4} + \frac{\delta''}{2} \right]. \quad (3.24)$$

Thus, on $[0, T] \times \left[\frac{3}{4} - \frac{\delta''}{2}, \frac{3}{4} + \frac{\delta''}{2} \right]$, we can write, thanks to the Taylor-Laplace formula:

$$\lambda^2\mathcal{V} = \left(z - \frac{3}{4} \right)^3 \varphi(t, z), \text{ with } \varphi \in C^\infty \left([0, T] \times \left[\frac{3}{4} - \frac{\delta''}{2}, \frac{3}{4} + \frac{\delta''}{2} \right] \right), \varphi < 0 \text{ for } t \neq 0, T.$$

Additionally, by definition of f_0 , φ/λ^2 vanishes exponentially for $t = 0, T$, and (3.8) ensures that φ vanishes exponentially for $z = 1$, so that

$$\left(\frac{\varphi}{\lambda^2}\right)^{\frac{1}{3}} \in C^\infty \left([0, T] \times \left[\frac{3}{4} - \frac{\delta''}{2}, \frac{3}{4} + \frac{\delta''}{2} \right] \right).$$

We now have

$$\mathcal{V}^{\frac{1}{3}} \in C^\infty \left([0, T] \times \left[\frac{3}{4} - \frac{\delta''}{2}, \frac{3}{4} + \frac{\delta''}{2} \right] \right) \quad (3.25)$$

Moreover, on $[0, T] \times \left(\left[0, \frac{3}{4} - \frac{\delta''}{2} \right) \cup \left(\frac{3}{4} - \frac{\delta''}{2}, 1 \right] \right)$, thanks to the constraint on the supports of the g_i , we have:

$$\lambda^2 \mathcal{V} = -(1 - z^2 \lambda^2) f_0 G + \underbrace{\lambda^2 \ddot{f}_0 g_0 - 2 \dot{f}_0 z \dot{\lambda} \lambda g'_0 - z (\lambda \ddot{\lambda} - 2 \dot{\lambda}^2) f_0 g'_0}_{\varepsilon^2 \mathcal{O}(f_0; t, x)}. \quad (3.26)$$

As, thanks to Proposition 3.1, we have

$$|G| > 2 \text{ on } \left[0, \frac{3}{4} - \frac{\delta''}{2} \right] \cup \left[\frac{3}{4} + \frac{\delta''}{2}, 1 - \delta' \right],$$

for small enough ε , we have:

$$|\lambda^2 \mathcal{V}| > 0 \text{ on }]0, T[\times \left(\left[0, \frac{3}{4} - \frac{\delta''}{2} \right] \cup \left[\frac{3}{4} + \frac{\delta''}{2}, 1 - \delta' \right] \right).$$

Now, let us recall that, on $[1 - \delta', 1)$,

$$\begin{aligned} g_0(z) &= e^{-\frac{1}{1-z^2}}, \\ g'_0(z) &= \frac{-2z}{(1-z^2)^2} e^{-\frac{1}{1-z^2}}, \\ G(z) = g''_0(z) &= \frac{6z^4 - 2}{(1-z^2)^4} e^{-\frac{1}{1-z^2}}, \end{aligned}$$

So that g_0/G and g'_0/G are bounded near 1, allowing us to write

$$\lambda^2 \mathcal{V} = -f_0 G + \varepsilon^2 \mathcal{O}(f_0; t) \mathcal{O}_{1-}(G; z). \quad (3.27)$$

The notation $\mathcal{O}_{1-}(G; z)$ meaning G times a bounded function of space on $[1 - \delta', 1]$. So for small enough ε , there exists a function a with positive values on $]0, T[$, such that

$$\lambda^2 \mathcal{V}(t, z) \leq -a(t) G(z) < 0, \quad \forall (t, z) \in (-0, T) \times [1 - \delta', 1).$$

Finally, for all $t \in [0, T]$, $\mathcal{V}(t, \cdot)$ vanishes exponentially at $z = 1$, and for all $z \in [1 - \delta', 1]$, $\mathcal{V}(\cdot, z)$ vanishes exponentially for $t = 0, T$. Hence,

$$\mathcal{V}^{\frac{1}{3}} \in C^\infty \left([0, T] \times \left(\left[0, \frac{3}{4} - \frac{\delta''}{2} \right) \cup \left(\frac{3}{4} + \frac{\delta''}{2}, 1 \right] \right) \right). \quad (3.28)$$

This, together with (3.25), proves that

$$\mathcal{V}^{\frac{1}{3}} \in C^\infty ([0, T] \times [0, 1]). \quad (3.29)$$

Now, as $x \mapsto |x|$ is C^∞ on $\mathbb{R} \setminus \{0\}$, by composition we deduce from (3.29) that

$$V^{\frac{1}{3}} \in C^\infty ([0, T] \times ((0, L) \setminus \{x_0\})).$$

To deal with the missing point x_0 , let us recall that for all $t \in]-1, 1[$, for all $x \in [0, L]$ such that $|x - x_0| \leq \delta'' \lambda(t)$ (i.e. $z \leq \delta''$),

$$\begin{aligned} \lambda^2 \mathcal{V}(t, z) &= -f_0 G + \lambda^2 \ddot{f}_0 g_0 - 2\dot{f}_0 z \dot{\lambda} \lambda g'_0 - z(\lambda \ddot{\lambda} - 2\dot{\lambda}^2) f_0 g'_0 + z^2 \dot{\lambda}^2 f_0 G \\ &= 2f_0 + \ddot{f}_0(\lambda^2 - |x - x_0|^2) + 4\dot{f}_0 \frac{\dot{\lambda}}{\lambda} |x - x_0|^2 + 2 \left(\frac{\ddot{\lambda}}{\lambda} - 2 \left(\frac{\dot{\lambda}}{\lambda} \right)^2 \right) f_0 |x - x_0|^2 - 2 \left(\frac{\dot{\lambda}}{\lambda} \right)^2 f_0 |x - x_0|^2 \\ &= 2f_0 + \lambda^2 \ddot{f}_0 + \psi(t) |x - x_0|^2, \end{aligned} \tag{3.30}$$

where $\psi \in C^\infty([0, T])$, and ψ vanishes exponentially for $t = 0, T$, along with all its derivatives. We now see that the terms in $|x - x_0|$ of V are actually in $|x - x_0|^2$, which compensates the singularity at 0 of the map $x \mapsto |x|$. Thus, from the smoothness of $\mathcal{V}^{\frac{1}{3}}$ we get, by composition, $V^{\frac{1}{3}} \in C^\infty([0, T] \times [0, L])$. Thus we have proved that, by choosing g_i that verify (3.8), (3.12), (3.14) and (3.16), we get

$$V^{\frac{1}{3}} \in C^\infty([0, T] \times [0, L]).$$

Finally, we set

$$\begin{aligned} \bar{v}(x, t) &:= \sum_{i=0}^3 f_i(t) g_i \left(\frac{|x - x_0|}{\lambda(t)} \right), \\ \bar{u} &:= (\square \bar{v})^{\frac{1}{3}}, \\ \bar{h} &:= \square \bar{u}. \end{aligned}$$

where λ is defined by (3.4), the g_i are some functions satisfying (3.8), (3.12), (3.14), and (3.16), and the f_i are defined by (3.6), (3.13), (3.15), and (3.17).

Let us check that we have indeed built a return trajectory: for $i \in \{0, \dots, 3\}$, the f_i vanish at -1 and 1 , along with all their derivatives. Hence,

$$\begin{aligned} \bar{u}(-1, \cdot) &= \bar{v}(-1, \cdot) = \bar{u}_t(-1, \cdot) = \bar{v}_t(-1, \cdot) = 0, \\ \bar{u}(1, \cdot) &= \bar{v}(1, \cdot) = \bar{u}_t(1, \cdot) = \bar{v}_t(1, \cdot) = 0. \end{aligned}$$

□

Remark 3.2. *Most of the work in the construction above comes from the vanishing points $(t, (3/4)\lambda(t))$ “in the middle of the domain”. So one could wonder, would it not be simpler to try and build a function that only vanishes, along with all its derivatives, at the points $(t, \lambda(t))$?*

Let us remind that our strategy to build the return trajectory is to start from a solution to the stationary problem, and then make it evolve through time so as to stay “not too far away from it”. But the reason we have vanishing points “in the middle of the domain” has to do with that same stationary problem. More precisely, the stationary problem consists in finding functions that vanish, along with their derivatives, on the boundary of the domain. In our case this condition corresponds to

$$g(z) = e^{-\frac{1}{1-z^2}} \text{ on } [1 - \delta', 1]. \tag{3.31}$$

We further require that the Laplacians of these functions be third powers of C^∞ functions. In our case this condition becomes

$$\begin{aligned} G(z) &\left(z - \frac{3}{4} \right) > 0, \\ G(z) &= \left(z - \frac{3}{4} \right)^3 \text{ on } \left[\frac{3}{4} - \frac{\delta''}{2}, \frac{3}{4} + \frac{\delta''}{2} \right]. \end{aligned}$$

Now, we could instead demand that G be non-negative (or non-positive). But then, by convexity arguments (or Hopf’s maximum principle), we would get

$$g'(1) < 0,$$

Which contradicts condition (3.31). But that condition is very helpful in proving the smoothness of $\mathcal{V}^{\frac{1}{3}}$ near the boundary. Giving it up would mean setting more conditions on the g_i functions near the boundary, so we would have to give up condition (3.8), and then set additional conditions on the g_i to make sure V is well defined (as $\lambda(0) = \lambda(T) = 0$), preserve the sign of \mathcal{V} or more generally its smoothness, in particular near the boundary...Which would probably be more trouble than what we had to do at the vanishing points $(t, (3/4)\lambda(t))$.

3.2 Covering sets and return trajectories

As mentioned at the beginning of this section, we want to work on a smooth subset of $[0, T] \times [a, b]$ where $u \neq 0$. However, to do so we need more than the elementary trajectory described above: rather, we use the elementary trajectory as a building block for our final return trajectory. Indeed, let $0 < \delta < \min((b-a)/4, T/2)$ such that (2.8) is satisfied. The preliminary construction gives us a real number $\varepsilon > 0$ (after the right rescaling of the space variable) and, for any $x_0 \in [a + \delta + \varepsilon, b - \delta - \varepsilon]$, a trajectory $(\bar{u}, \bar{v}, \bar{h})$ such that $\bar{u} \neq 0$ on $\Lambda_{\varepsilon, x_0} := \{(t, x) \mid |x - x_0| < (3/4)\varepsilon\lambda_0(t)\}$, which contains any rectangle of the form $[\delta, T - \delta] \times [x_0 - \xi, x_0 + \xi]$ with $\xi < (3/4)\varepsilon$. Moreover, each of these rectangles can be fit into the interior of a smooth closed subset of $\Lambda_{\varepsilon, x_0}$.

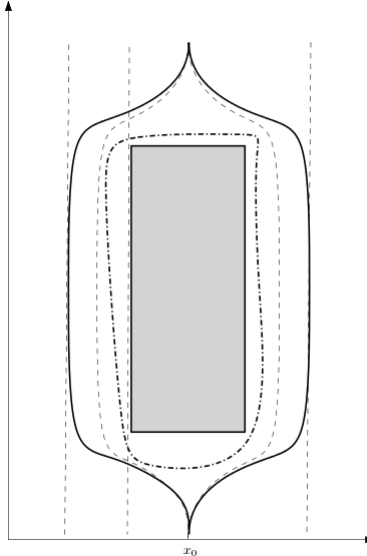


Figure 3: The support of the preliminary construction with a rectangle fit inside the line of vanishing points of \bar{u} .

Now there are cases (if $[a, b]$ is too long and ε - and consequently, ξ - too small), where none of the rectangles $[\delta, T - \delta] \times [x_0 - \xi, x_0 + \xi]$ satisfies the Geometric Control Condition (GCC). Thus we cannot apply Proposition 2.1 with controls supported in some $[\delta, T - \delta] \times [x_0 - \xi, x_0 + \xi]$, as time condition (3.52) does not hold in these cases. So we need to build a return trajectory $(\bar{u}, \bar{v}, \bar{h})$ such that $\bar{u} \neq 0$ on a smooth closed set \mathcal{Q} containing a set \mathcal{Q}_δ that satisfies the GCC.

Now there is a simple type of set that would fit our needs for \mathcal{Q}_δ : in Section 2 we worked in $[\delta, T - \delta] \times [a + \delta, b + \delta]$, but we do not need the whole rectangle in general for the GCC to be satisfied. We can in fact work with a number of much smaller rectangles, as long as they are close enough to each other:

Definition 3.1. Let $0 < \delta < \min((b-a)/4, T/2)$, such that (2.8) is satisfied. A δ -covering set of $[0, T] \times [a, b]$ for system (1.1) is a union of rectangles of the form $\{[\delta, T - \delta] \times [a_i, b_i], 1 \leq i \leq N\}$ for some

$N \geq 1$, such that

$$\begin{aligned} a_1 &= a + \delta, \\ b_N &= b - \delta, \\ 0 &< (a_{i+1} - b_i) \max\left(\frac{1}{|\nu_1|}, \frac{1}{|\nu_2|}\right) < T - 2\delta, \quad 1 \leq i \leq N - 1. \end{aligned} \tag{3.32}$$

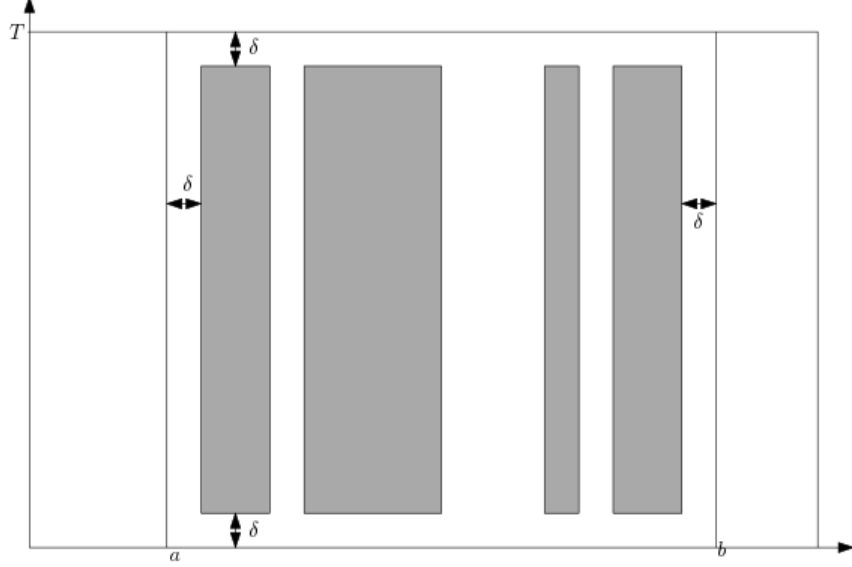


Figure 4: An example of a δ -covering set.

Now the idea is to add the elementary trajectories obtained by the preliminary construction on disjoint supports centered in $x_i \in [a + \delta + \varepsilon, b - \delta - \varepsilon]$, that are close enough, and with a small enough ε so that the rectangles $[\delta, T - \delta] \times [x_0 - \varepsilon/2, x_0 + \varepsilon/2]$ form a δ -covering set. Take $\varepsilon_0 \leq (b - a - 2\delta)/2$ small enough for the preliminary construction to work, and such that $\varepsilon_0 \max(1/\nu_1, 1/\nu_2) < T - 2\delta$. We then define the following sequence: take $N \in \mathbb{N}$ large enough so that

$$\varepsilon := \frac{b - a - 2\delta}{2N - 1} \leq \varepsilon_0$$

and define, for $1 \leq i \leq N$,

$$x_i := a + \delta + \left(2i - \frac{3}{2}\right) \varepsilon,$$

and $(\bar{u}_i, \bar{v}_i, \bar{h}_i)$ the trajectory obtained by the preliminary construction corresponding to the chosen ε , centered in x_i . Let \mathcal{Q}_i be a smooth closed subset of $\Lambda_{\varepsilon, x_i}$ containing $[\delta, T - \delta] \times [x_i - \varepsilon/2, x_i + \varepsilon/2]$ in its interior. Then,

$$\mathcal{Q}_\delta := \bigcup_{i=1}^N [\delta, T - \delta] \times [x_i - \varepsilon/2, x_i + \varepsilon/2]$$

is a δ -covering set,

$$\mathcal{Q} := \left(\bigcup_i \mathcal{Q}_i \right)$$

is a smooth closed set such that $\mathcal{Q}_\delta \subset \overset{\circ}{\mathcal{Q}}$, and we can define

$$(\bar{u}, \bar{v}, \bar{h}) := \sum_{i=1}^N (\bar{u}_i, \bar{v}_i, \bar{h}_i), \tag{3.33}$$

which is supported in $[0, T] \times [a, b]$, and satisfies (3.2).

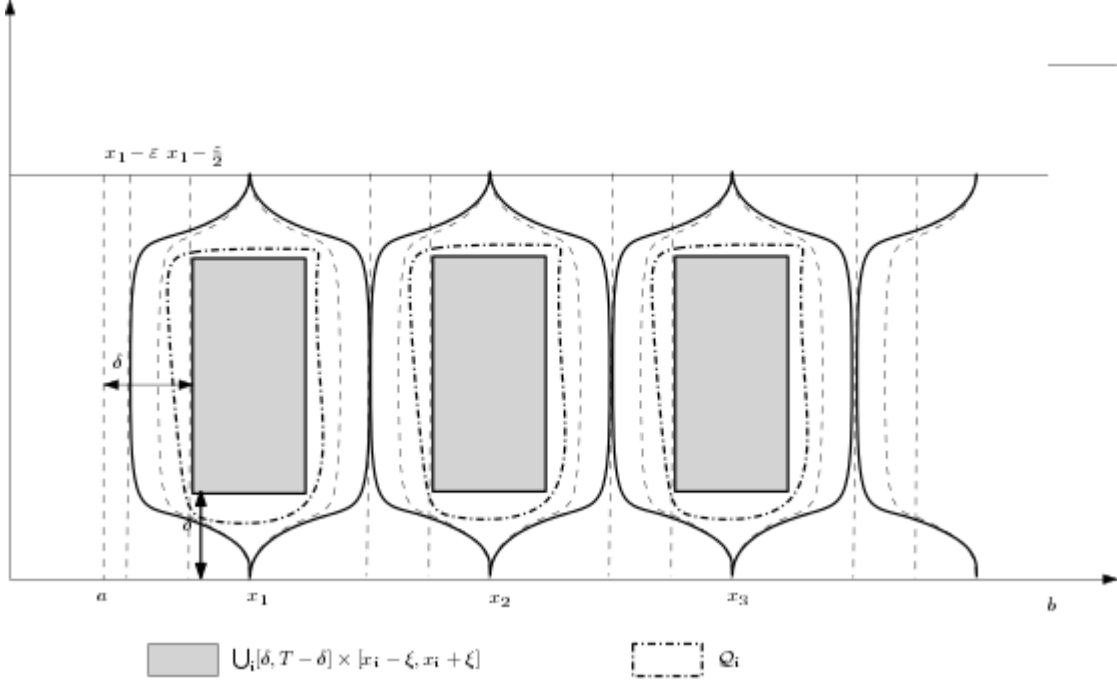


Figure 5: Putting elementary trajectories side by side. The rectangles form a covering set.

3.3 Local controllability with two controls and Gromov inversion

We now have our return trajectory $(\bar{u}, \bar{v}, \bar{h})$. Now let $R > 0$, and notice that for all $\kappa > 0$, $(\kappa\bar{u}, \kappa^3\bar{v}, \kappa\bar{h})$ is also a return trajectory, with the same support. Thus, we can now suppose without loss of generality, that

$$\|(\bar{u}, \bar{v}, \bar{h})\|_{(C^{11})^3} \leq \frac{R}{2}. \quad (3.34)$$

Let $u, v \in C^k([0, T] \times [0, L])$, $h_1, h_2 \in C^{k-2}([0, T] \times [0, L])$. Let us consider the trajectory $(\bar{u} + u, \bar{v} + v)$, controlled by $(\bar{h} + h_1, h_2)$, we get the following control system for u and v :

$$\begin{cases} \square_{\nu_1} u = h_1, \\ \square_{\nu_2} v = u^3 + 3\bar{u}u^2 + 3\bar{u}^2u + h_2, \\ u(\cdot, 0) = 0, \\ u(\cdot, L) = 0, \\ v(\cdot, 0) = 0, \\ v(\cdot, L) = 0. \end{cases} \quad (3.35)$$

This is a coupled semilinear system with a source term, and falls in the category of systems (2.7). The aim of this section is to prove the following proposition:

Proposition 3.2. *Let $k \geq 2$, $0 \leq a < b \leq L$, $T > 0$ such that*

$$T > 2(L - b) \max\left(\frac{1}{\nu_1}, \frac{1}{\nu_2}\right), \quad T > 2a \max\left(\frac{1}{\nu_1}, \frac{1}{\nu_2}\right).$$

For every $0 < \delta < \min(T/2, (b-a)/2)$ satisfying (2.8), for every δ -covering set \mathcal{Q}_δ of $[0, T] \times [a, b]$, there exists $\eta > 0$ and constants $C_1, C_2 > 0$ depending on T, δ, k such that, for initial and final values

$$((u_0, u_1), (v_0, v_1), (u_0^f, u_1^f), (v_0^f, v_1^f)) \in (B_{C^k([0, T] \times [0, L])}(0, \eta) \times B_{C^{k-1}([0, T] \times [0, L])}(0, \eta))^4$$

satisfying (1.8) at the order k , there exist controls $h_1, h_2 \in C^{k-1}([0, T] \times [0, L])$ satisfying

$$\text{supp } h_i \subset \mathcal{Q}_\delta, \quad i = 1, 2, \quad (3.36)$$

$$\|h_i\|_{C^{k-2}} \leq C_1 \|((u_0, u_1), (v_0, v_1), (u_0^f, u_1^f), (v_0^f, v_1^f))\|_{(C^k \times C^{k-1})^4}, \quad i = 1, 2, \quad (3.37)$$

such that the corresponding solution of (2.7) with initial values $((u_0, u_1), (v_0, v_1))$ satisfies

$$\begin{cases} u(T, \cdot) = u_0^f, & u_t(T, \cdot) = u_1^f, \\ v(T, \cdot) = v_0^f, & v_t(T, \cdot) = v_1^f. \end{cases} \quad (3.38)$$

$$\|(u, v)\|_{(C^k)^2} \leq C_2 \|((u_0, u_1), (v_0, v_1), (u_0^f, u_1^f), (v_0^f, v_1^f))\|_{(C^k \times C^{k-1})^4}. \quad (3.39)$$

Remark 3.3. It is clear, by Definition 3.1, that for any $0 < \delta < \min((b-a)/4, T/2)$ such that (2.8) is satisfied, $[\delta, T - \delta] \times [a + \delta, b - \delta]$ is a δ -covering set of $[0, T] \times [a, b]$. Thus Proposition 3.2 implies Proposition 2.1.

To prove this proposition, we use the following propositions, which are particular cases of more general quasilinear results proved in [LR03] (see also [Li10, chapter 5, sections 5.3 and 5.4]):

Proposition 3.3 (two-sided control). *Let $k \geq 2, L > 0, T > 0, F \in C^\infty(\mathbb{R}^2, \mathbb{R}^2), \nu_1, \nu_2 > 0$. If*

$$T > L \max\left(\frac{1}{\nu_1}, \frac{1}{\nu_2}\right),$$

then there exists $\eta > 0$ and a constant $C > 0$ depending on T, k , such that for any initial and final values

$$(U_0, U_1, U_0^f, U_1^f) \in B_{(C^k([0, L])^2 \times C^{k-1}([0, L])^2)^2}(0, \eta)$$

there exist controls H_1 and $H_2 \in C^k([0, T], \mathbb{R}^2)$ satisfying compatibility conditions

$$\begin{cases} P_{n,i}^{f_i}(J_x^n(U_0)(0), J_x^{n-1}(U_1)(0), (0, \dots, 0)) = \partial_t^n H_{1i}(0), \\ P_{n,i}^{f_i}(J_x^n(U_0)(L), J_x^{n-1}(U_1)(L), (0, \dots, 0)) = \partial_t^n H_{2i}(0), \\ P_{n,i}^{f_i}(J_x^n(U_0^f)(0), J_x^{n-1}(U_1^f)(0), (0, \dots, 0)) = \partial_t^n H_{1i}(T), \\ P_{n,i}^{f_i}(J_x^n(U_0^f)(L), J_x^{n-1}(U_1^f)(L), (0, \dots, 0)) = \partial_t^n H_{2i}(T), \end{cases} \quad \forall n \leq k, i = 1, 2. \quad (3.40)$$

such that the solution to the vector system

$$\begin{cases} \partial_{tt}U - \begin{pmatrix} \nu_1^2 & 0 \\ 0 & \nu_2^2 \end{pmatrix} \partial_{xx}U = F(U), \quad x \in (0, L) \\ U(t, 0) = H_1, \\ U(t, L) = H_2, \\ U(0) = U_0, \\ U_t(0) = U_1, \end{cases} \quad (3.41)$$

satisfies

$$\begin{cases} U(T) = U_0^f, \\ U_t(T) = U_1^f, \end{cases}$$

$$\|U\|_{C^k} \leq C \|((U_0, U_1), (U_0^f, U_1^f))\|_{(C^k \times C^{k-1})^2}. \quad (3.42)$$

Proposition 3.4 (one-sided control). *Let $k \geq 2$, $L > 0$, $T > 0$, $F \in C^\infty(\mathbb{R}^2, \mathbb{R}^2)$, $\nu_1, \nu_2 > 0$. If*

$$T > 2L \max\left(\frac{1}{\nu_1}, \frac{1}{\nu_2}\right),$$

then there exists $\eta > 0$ and a constant $C > 0$ depending on T, k , such that for any initial and final values

$$(U_0, U_1, U_0^f, U_1^f) \in B_{(C^k([0, L])^2 \times C^{k-1}([0, L])^2)^2}(0, \eta)$$

there exists a control $H \in C^k([0, T], \mathbb{R}^2)$ satisfying compatibility conditions

$$\begin{cases} P_{n,i}^{f_i}(J_x^n(U_0)(0), J_x^{n-1}(U_1)(0), (0, \dots, 0)) = \partial_t^n H_i(0) \quad (\text{resp. } 0), \\ P_{n,i}^{f_i}(J_x^n(U_0)(L), J_x^{n-1}(U_1)(L), (0, \dots, 0)) = 0 \quad (\text{resp. } \partial_t^n H_i(0)), \\ P_{n,i}^{f_i}(J_x^n(U_0^f)(0), J_x^{n-1}(U_1^f)(0), (0, \dots, 0)) = \partial_t^n H_i(T) \quad (\text{resp. } 0), \\ P_{n,i}^{f_i}(J_x^n(U_0^f)(L), J_x^{n-1}(U_1^f)(L), (0, \dots, 0)) = 0 \quad (\text{resp. } \partial_t^n H_i(T)), \end{cases} \quad \forall n \leq k, i = 1, 2. \quad (3.43)$$

such that the solution to the vector system

$$\begin{cases} \partial_{tt}U - \begin{pmatrix} \nu_1^2 & 0 \\ 0 & \nu_2^2 \end{pmatrix} \partial_{xx}U = F(U), \quad x \in (0, L), \\ U(t, L) = 0 \quad (\text{resp. } U(t, L) = H(t)), \\ U(t, 0) = H, \quad (\text{resp. } U(t, 0) = 0), \\ U(0) = U_0, \\ U_t(0) = U_1, \end{cases} \quad (3.44)$$

satisfies

$$\begin{cases} U(T) = U_0^f, \\ U_t(T) = U_1^f, \end{cases}$$

$$\|U\|_{C^k} \leq C\|(U_0, U_1), (U_0^f, U_1^f)\|_{(C^k \times C^{k-1})^2}. \quad (3.45)$$

Proof of Proposition 3.2. Let us note

$$\mathcal{Q}_\delta = \bigcup_{1 \leq i \leq N} [\delta, T - \delta] \times [a_i, b_i],$$

for some $N \geq 1$. for every $1 \leq i \leq N - 1$, let $0 < \delta_i < \min((b_{i+1} - a_{i+1})/2, (b_i - a_i)/2)$ such that

$$T - 2\delta_i > (a_{i+1} - b_i + 4\delta_i) \max\left(\frac{1}{\nu_1}, \frac{1}{\nu_2}\right). \quad (3.46)$$

Thanks to Propositions 3.3 and 3.4, Definition 3.1 and conditions (2.8) and (3.46), there exists $\eta > 0$ such that for initial and final values

$$((u_0, u_1), (v_0, v_1), (u_0^f, u_1^f), (v_0^f, v_1^f)) \in (B_{C^k([0, L])}(0, \eta) \times B_{C^{k-1}([0, L])}(0, \eta))^4$$

satisfying (1.8),

- There exist boundary controls $u_1^{(i)}, u_2^{(i)} \in C^k([0, T - 2\delta])$ at $b_i - \delta_i$ and $a_{i+1} + \delta_i$ that steer (u, v) on $[b_i - \delta_i, a_{i+1} + \delta_i]$ from $(y_0, y_1)|_{[b_i - \delta_i, a_{i+1} + \delta_i]}$ to $(z_0, z_1)|_{[b_i - \delta_i, a_{i+1} + \delta_i]}$.

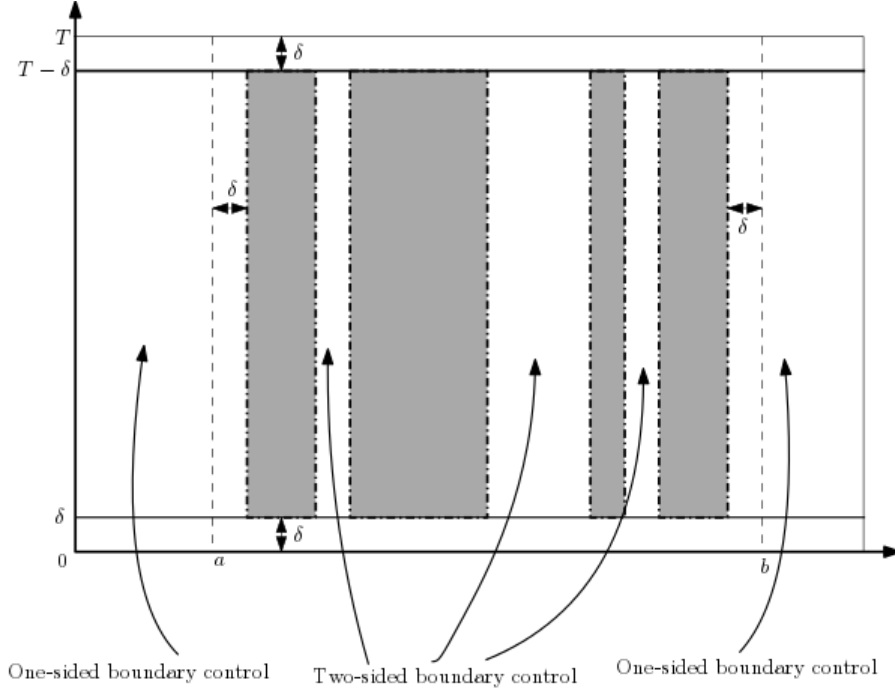


Figure 6: Using boundary control results outside of the covering set.

- There exist two boundary controls $u_1, u_2 \in C^k([0, T - 2\delta])$ at $a + 2\delta$ and $b - 2\delta$ that steer (u, v) on $[0, a + 2\delta]$ from $(y_0, y_1)|_{[0, a + 2\delta]}$ to $(z_0, z_1)|_{[0, a + 2\delta]}$, and from $(y_0, y_1)|_{[b - 2\delta, L]}$ to $(z_0, z_1)|_{[b - 2\delta, L]}$ while satisfying the boundary conditions of the system at 0 and L .

We note $\delta_0 = \delta_N := \delta$, and (u^*, v^*) the corresponding trajectory on $[0, a + 2\delta] \cup [b - 2\delta, L] \cup \bigcup_{1 \leq i \leq N-1} [b_i - \delta_i, a_{i+1} + \delta_i]$. Then, (3.45) and (3.42) imply

$$\|(u^*, v^*)\|_{C^k} \leq C \|(u_0, u_1), (v_0, v_1), (u_0^f, u_1^f), (v_0^f, v_1^f)\|_{(C^k \times C^{k-1})^4} \quad (3.47)$$

for some constant $C > 0$.

On the other hand, for $\eta > 0$ small enough, for initial and final conditions

$$((u_0, u_1), (v_0, v_1), (u_0^f, u_1^f), (v_0^f, v_1^f)) \in (B_{C^k}([0, T] \times [0, L])(0, \eta) \times B_{C^{k-1}}([0, T] \times [0, L])(0, \eta))^4,$$

for $1 \leq i \leq N$ the forward evolving solutions $(u_f^{(i)}, v_f^{(i)})$ of the vector equations

$$\begin{cases} \square_{\nu_1} u = f_1(\bar{u} + u, \bar{v} + v) - f_1(\bar{u}, \bar{v}), \\ \square_{\nu_2} v = f_2(\bar{u} + u, \bar{v} + v) - f_2(\bar{u}, \bar{v}), \\ (u, v)(t, a_i) = (u, v)(t, b_i) = (0, 0), \\ (u, v)(0, \cdot) = (u_0|_{[a_i, b_i]}, v_0|_{[a_i, b_i]}), \\ (u, v)_t(0, \cdot) = (u_1|_{[a_i, b_i]}, v_1|_{[a_i, b_i]}). \end{cases},$$

are defined on $[0, T - 2\delta] \times [a_i, b_i]$. Let us also note $(u_b^{(i)}, v_b^{(i)})$ the backward evolving solutions of the

vector equations on $[0, T - 2\delta] \times [a_i, b_i]$

$$\left\{ \begin{array}{l} \square_{\nu_1} u = f_1(\bar{u} + u, \bar{v} + v) - f_1(\bar{u}, \bar{v}), \\ \square_{\nu_2} v = f_2(\bar{u} + u, \bar{v} + v) - f_2(\bar{u}, \bar{v}), \\ (u, v)(t, a_i) = (u, v)(t, b_i) = (0, 0), \\ (u, v)(T - 2\delta, \cdot) = (u_0^f|_{[a_i, b_i]}, v_0^f|_{[a_i, b_i]}), \\ (u, v)_t(T - 2\delta, \cdot) = (u_1^f|_{[a_i, b_i]}, v_1^f|_{[a_i, b_i]}). \end{array} \right.$$

Then we define (\tilde{u}, \tilde{v}) by

$$(\tilde{u}, \tilde{v}) = \left(u_f^{(i)}, v_f^{(i)} \right) \phi + \left(u_b^{(i)}, v_b^{(i)} \right) (1 - \phi), \text{ on } [a_i, b_i], \forall i \leq N,$$

where ϕ is a time cut-off function such that

$$\phi(0) = 1, \quad \phi(T - 2\delta) = 0.$$

Note that, by well-posedness of the Cauchy problems, there exists $C' > 0$ such that the norm of (\tilde{u}, \tilde{v}) satisfies

$$\|(\tilde{u}, \tilde{v})\|_{(C^k)^2} \leq C' \|(u_0, u_1), (v_0, v_1), (u_0^f, u_1^f), (v_0^f, v_1^f)\|_{(C^k \times C^{k-1})^4}. \quad (3.48)$$

Finally, let us define (u^{**}, v^{**}) by smoothly extending (u^*, v^*) on $\bigcup_{1 \leq i \leq N} [a_i + \delta_{i-1}, b_i - \delta_i]$ with

$$\|(u^{**}, v^{**})\|_{(C^k)^2} \leq C'' \|(u^*, v^*)\|_{C^k}, \quad (3.49)$$

where C'' is a constant depending on the a_i, b_i . Then, we define (u, v) by

$$(u, v) = \xi(u^{**}, v^{**}) + (1 - \xi)(\tilde{u}, \tilde{v}),$$

where ξ is a space cut-off function satisfying

$$\begin{aligned} \xi &= 1 \text{ on } [0, a + \delta] \cup [b - \delta, L] \cup \bigcup_{1 \leq i \leq N-1} [b_i, a_{i+1}], \\ \xi &= 0 \text{ on } \bigcup_{1 \leq i \leq N} [a_i + \delta_{i-1}, b_i - \delta_i]. \end{aligned}$$

Then, by construction, we have

$$\left\{ \begin{array}{l} u(0, \cdot) = u_0, \quad v(0, \cdot) = v_0, \\ u_t(0, \cdot) = u_1, \quad v_t(0, \cdot) = v_1, \\ u(T - 2\delta, \cdot) = u_0^f, \quad v(T - 2\delta, \cdot) = v_0^f, \\ u_t(T - 2\delta, \cdot) = u_1^f, \quad v_t(T - 2\delta, \cdot) = v_1^f, \end{array} \right.$$

and

$$\begin{aligned} \text{supp } (\square_{\nu_1} u - f_1(\bar{u} + u, \bar{v} + v) - f_1(\bar{u}, \bar{v})) &\subset \mathcal{Q}_\delta, \\ \text{supp } (\square_{\nu_2} v - f_2(\bar{u} + u, \bar{v} + v) - f_2(\bar{u}, \bar{v})) &\subset \mathcal{Q}_\delta, \end{aligned}$$

Finally, (3.47), (3.48) and (3.49) imply that there exists a constant $C_2 > 0$ such that (3.39) holds, and, by continuity of the f_i , noting

$$h_i := \square_{\nu_i} u - f_i(\bar{u} + u, \bar{v} + v) - f_i(\bar{u}, \bar{v}), \quad i = 1, 2,$$

there exists a constant $C_1 > 0$ such that (3.37) holds. \square

Now, we define

$$\mathcal{A} = \left\{ (u, v, h) \in (C^2(\mathcal{Q}))^3 \mid \forall (t, x) \in \mathcal{Q}, u(t, x) \neq 0 \right\},$$

which is clearly nonempty, and

$$\forall (u, v, h) \in C^2(\mathcal{Q})^3, \mathcal{D}(u, v, h) = (\square_{\nu_1} u - h, \square_{\nu_2} v - u^3).$$

Then, we have the following proposition, similar to Proposition 2.2:

Proposition 3.5. \mathcal{D} admits an infinitesimal inversion of order 2 over \mathcal{A} .

Moreover, thanks to (3.33) and (3.2),

Proposition 3.6.

$$(\bar{u}, \bar{v}, \bar{h})|_{\mathcal{Q}} \in \mathcal{A}.$$

Now, we can use Theorem 2.1: there exists $\eta > 0$ such that for initial and final conditions

$$((u_0, u_1), (v_0, v_1), (u_0^f, u_1^f), (v_0^f, v_1^f)) \in (B_{C^{11}([0, L])}(0, \eta) \times B_{C^{10}([0, L])}(0, \eta))^4$$

the corresponding trajectories of system (3.35) with two controls u^*, v^*, h_1, h_2 are small enough in $(C^{11})^2 \times (C^9)^2$ norm so that \mathcal{D} can be inverted locally around $(\bar{u} + u^*, \bar{v} + v^*, \bar{h})$, and so that, by the continuity property, $(u, v, h) := \mathcal{D}_{(\bar{u} + u^*, \bar{v} + v^*, \bar{h})}^{-1}(\theta_1, \theta_2)$ satisfies

$$\|(u - \bar{u}, v - \bar{v}, h - \bar{h})\|_{(C^6)^3} \leq \frac{R}{2}. \quad (3.50)$$

Together with (3.34), this yields

$$\|(u, v, h)\|_{(C^6)^3} \leq R. \quad (3.51)$$

This proves the following local controllability result:

Theorem 3.1. Let $R > 0$, and $0 \leq a < b \leq L$, $T > 0$ such that

$$T > 2(L - b) \max\left(\frac{1}{|\nu_1|}, \frac{1}{|\nu_2|}\right), \quad T > 2a \max\left(\frac{1}{|\nu_1|}, \frac{1}{|\nu_2|}\right). \quad (3.52)$$

There exists $\eta > 0$ such that for given initial and final conditions

$$((u_0, u_1), (v_0, v_1), (u_0^f, u_1^f), (v_0^f, v_1^f)) \in (B_{C^{11}([0, L])}(0, \eta) \times B_{C^{10}([0, L])}(0, \eta))^4$$

satisfying (1.8), there exists $h \in C^6([0, T] \times [0, L])$ satisfying

$$\text{supp } h \subset [0, T] \times [a, b].$$

such that the corresponding solution $(u, v) \in C^6([0, T] \times [0, L])$ of (1.2) with initial values $((u_0, u_1), (v_0, v_1))$ satisfies

$$\begin{cases} u(T, \cdot) = u_0^f, & u_t(T, \cdot) = u_1^f, \\ v(T, \cdot) = v_0^f, & v_t(T, \cdot) = v_1^f \end{cases}$$

and (3.51) holds.

Now let $(u_0, u_1, v_0, v_1, u_0^f, u_1^f, v_0^f, v_1^f) \in (C^{11}([0, L]) \times C^{10}([0, L]))^4$ such that (1.8) is satisfied. Let us note

$$M := \|(u_0, u_1, u_0^f, u_1^f)\|_{(C^{11} \times C^{10})^2} + \|(v_0, v_1, v_0^f, v_1^f)\|_{(C^{11} \times C^{10})^2}^{\frac{1}{3}},$$

and $\alpha := \frac{\eta}{2M}$. Then,

$$\begin{aligned} \|\alpha u_0\|_{C^{11}} \leq \eta, \quad \|\alpha u_1\|_{C^{10}} \leq \eta, \quad \|\alpha u_0^f\|_{C^{11}} \leq \eta, \quad \|\alpha u_1^f\|_{C^{10}} \leq \eta, \\ \|\alpha^3 v_0\|_{C^{11}} \leq \eta, \quad \|\alpha^3 v_1\|_{C^{10}} \leq \eta, \quad \|\alpha^3 v_0^f\|_{C^{11}} \leq \eta, \quad \|\alpha^3 v_1^f\|_{C^{10}} \leq \eta, \end{aligned}$$

and these functions satisfy (1.8). We can now apply Theorem 3.1, and for any support and time $T > 0$ compatible with that support, we get (u, v, h) with initial and final conditions $(\alpha u_0, \alpha u_1, \alpha u_0^f, \alpha u_1^f, \alpha^3 v_0, \alpha^3 v_1, \alpha^3 v_0^f, \alpha^3 v_1^f)$ such that

$$\begin{cases} \square_{\nu_1} u = h, \\ \square_{\nu_2} v = u^3, \\ u|_{\partial\Omega} = 0, \\ v|_{\partial\Omega} = 0. \end{cases}$$

Then we also have

$$\begin{cases} \square_{\nu_1} \alpha^{-1} u = \alpha^{-1} h, \\ \square_{\nu_2} \alpha^{-3} v = (\alpha^{-1} u)^3, \\ \alpha^{-1} u(0) = \alpha^{-1} u(L) = 0, \\ \alpha^{-3} v(0) = \alpha^{-3} v(L) = 0, \end{cases}$$

Thus, $\alpha^{-1} h$ steers (u_0, u_1, v_0, v_1) to $(u_0^f, u_1^f, v_0^f, v_1^f)$ in T .

Finally, to get estimate (1.14), recall (3.51)

$$\|h\|_{C^6} \leq R,$$

hence, in terms of the original control system,

$$\begin{aligned} \|\alpha^{-1} h\|_{C^6} &\leq \alpha^{-1} R \\ &\leq \frac{2R}{\eta} \left(\|(u_0, u_1, u_0^f, u_1^f)\|_{(C^{11} \times C^{10})^2} + \|(v_0, v_1, v_0^f, v_1^f)\|_{(C^{11} \times C^{10})^2}^{\frac{1}{3}} \right). \end{aligned}$$

This proves Theorem 1.2.

3.4 A general criterion for internal controllability

Let us now give a general definition, which gives the main criterion our return trajectories must fulfill to apply our method:

Definition 3.2. *A suitable return trajectory for time $T > 0$ is a trajectory $(\bar{u}, \bar{v}, \bar{h}) \in C^{11}([0, T] \times [0, L])^3$ of system (1.1), such that*

$$\begin{aligned} \bar{u}(0, \cdot) &= 0, \quad \bar{v}(0, \cdot) = 0, \\ \bar{u}_t(0, \cdot) &= 0, \quad \bar{v}_t(0, \cdot) = 0, \\ \bar{u}(T, \cdot) &= 0, \quad \bar{v}(T, \cdot) = 0, \\ \bar{u}_t(T, \cdot) &= 0, \quad \bar{v}_t(T, \cdot) = 0, \\ \text{supp } (\bar{u}, \bar{v}, \bar{h}) &\subset [0, T] \times [a, b], \\ \mathcal{D}(\bar{u}, \bar{v}, \bar{h}) &= (0, 0), \end{aligned}$$

and such that there exists $0 < \delta < \min(T/2, (b-a)/2)$ satisfying (2.8), a δ -covering set \mathcal{Q}_δ , a smooth closed set \mathcal{Q} such that $\mathcal{Q}_\delta \subset \overset{\circ}{\mathcal{Q}}$ such that

$$\forall (t, x) \in \mathcal{Q}, \quad \bar{u}(t, x) \neq 0.$$

We can now give a general statement to sum up our work on system (1.2):

Proposition 3.7. *Let $0 \leq a < b \leq L$, and $T > 0$ such that (1.9) holds. Suppose condition (1.10) does not hold. If one can find a suitable return trajectory, then system (1.1) is locally controllable in time T for $(C^{11} \times C^{10})^4$ initial and final conditions, with C^6 trajectories, and with a C^6 control supported in $[0, T] \times [a, b]$.*

4 Further questions

4.1 Regularity

Our method requires somewhat specific regularities: C^{11} (C^{10} for the time-derivative) for the initial and final data. As is often the case when using a Nash-Noser scheme, these regularities are probably not optimal. However, if we require for example C^k regularity for the control, $k \geq 2$, the initial and final data have to be at least one notch smoother. Indeed, note

$$w := u_t - \nu_1 u_x,$$

and consider to the following computation, where one requires the control and the trajectories to be C^k :

$$\begin{aligned} \frac{d}{dt} w(t, x - \nu_1 t) &= w_t - \nu_1 w_x \\ &= w_t + \nu_1 w_x - 2\nu_1 w_x \\ &= h(t, x - \nu_1 t) - 2\nu_1 (u_{tx} - \nu_1 u_{xx}) \\ &= h(t, x - \nu_1 t) - 2\nu_1 \frac{d}{dt} u_x(t, x - \nu_1 t), \end{aligned}$$

hence, for a fixed $t > 0$ and for characteristics going from $\{0\} \times [0, L]$ to $\{t\} \times [0, L]$,

$$\int_0^t h(s, x - \nu_1 s) ds = u_t(t, x - \nu_1 t) - u_1(x) - \nu_1 u_x(t, x - \nu_1 t) + \nu_1 u'_0(x) - 2\nu_1 (u_x(t, x - \nu_1 t) - u'_0(x)). \quad (4.1)$$

Now the left-hand side of (4.1) is a C^k function of x , so we need to upgrade the regularity of u_0 to C^{k+1} , and that of u_1 , $x \mapsto u_x(t, x)$ and $x \mapsto u_t(t, x)$ to C^k . This shows a partial derivative loss (in the space dimension) between the trajectory and the control, and, taking $t = T$, a derivative loss between the initial and final data for u , and the control.

For linear cascade systems with smooth coefficients, the same procedure can be repeated on the second equation to establish similar losses of derivatives, showing that because u has increased spatial regularity, the initial and final data for v have to be $C^{k+2} \times C^{k+1}$. Note that with two controls, this would not be the case, as each control “absorbs” the loss of derivatives in each equation.

Furthermore, it would be interesting to consider other iteration schemes such as the one presented in [Cor07], section 4.2.1, where one considers the following linear system:

$$\begin{cases} \square u = f_1(0, 0) + g_1^v(a, b)v + g_1^u(a, 0)u + h \\ \square v = f_2(0, 0) + g_2^v(0, b)v + g_2^u(a, b)u, \end{cases} \quad (4.2)$$

where, for $i \in \{1, 2\}$,

$$g_i^u(u, v) = \begin{cases} \frac{f_i(u, v) - f_i(0, v)}{u} & \text{for } u \neq 0 \\ \partial_u f_i(0, v) & \text{for } u = 0. \end{cases}$$

$$g_i^v(u, v) = \begin{cases} \frac{f_i(u, v) - f_i(u, 0)}{v} & \text{for } v \neq 0 \\ \partial_v f_i(u, 0) & \text{for } v = 0. \end{cases}$$

Then, by superposition one can restrict to the study of

$$\begin{cases} \square u = h \\ \square v = g_2^u(a, b)u. \end{cases} \quad (4.3)$$

But ultimately, this only shifts the problem of the C^k regularity gap between data and control, although we now have a linear system instead of a semilinear one.

On the other hand, there are some situations where the Nash-Moser theorem eventually proves unnecessary. The best-known example for this improvement is geometric: in [G89] and [G91], it was proved that the problem of isometric embedding could be solved using a classical iteration scheme, instead of a Nash-Moser one. More recently, in control theory, controllability results for the Schrödinger equation were similarly improved. As mentioned in the introduction, controllability results for the 1-D Schrödinger equation were first proved using a Nash-Moser implicit function theorem ([Bea05], [BC06]), because of an a priori loss of derivatives. Karine Beauchard and Camille Laurent later discovered that, because of a regularizing effect, there was actually no loss of derivatives, and proved more general results on the bilinear control of the linear and nonlinear 1-D Schrödinger equation in [BL10], using a classical inversion theorem on optimal function spaces. It would be interesting to know if a similar do-over is possible for our result, keeping in mind that the argument we gave above excludes the possibility of a regularizing effect that would cancel all loss of derivatives. We could hope for a result with a C^2 control and $(C^4 \times C^3)^2$ initial and final conditions, for example.

This would also be interesting in terms of numerical analysis, to compute approximate controls and trajectories for the considered system. Indeed, the proof of Gromov's inversion theorem relies on a Nash-Moser type iterative scheme, which could be computed. However, such an iterative scheme would be very heavy to implement, because of the regularization at each step. A classical inversion theorem, relying on a Newton scheme, would be lighter to implement.

Finally, it would be interesting to investigate a H^k version of this result, using other versions of the Nash-Moser implicit function theorem.

4.2 Other systems with an uncontrollable linearized system

Our scheme of proof also allows to prove a controllability result for systems of the form

$$\begin{cases} \square_{\nu_1} u = G(u, v) + h, \quad G \in C^\infty(\mathbb{R}^2), \\ \square_{\nu_2} v = u^3, \\ u|_{\partial\Omega} = 0, \\ v|_{\partial\Omega} = 0. \end{cases} \quad (4.4)$$

Indeed, this simply adds a term in the definition of \bar{h} when we build our return trajectory. However, \bar{h} is no longer supported in $[0, T] \times [a, b]$. The other steps remain unchanged, as the additional G term does not prevent the differential operator \mathcal{D} from being algebraically solvable. So we get a local internal controllability result with the same time conditions, but no condition on the support of the control. Finally, if G is homogeneous of degree 1, we can use the scaling argument to deduce a global result.

In addition to adding a coupling term to the first equation, we can also change the power of the coupling term in the second equation. There are two cases:

1. *Even powers* As such, our method cannot work for even powers: indeed, u^{2k} has nonnegative values. In particular, by the same convexity argument as in Remark 3.2, solutions to the stationary problem cannot vanish smoothly in 1. So the perturbative approach would allow us to build smooth return trajectories only if u (and thus h) is spatially supported in all of $[0, L]$.

Another way of answering this question would be to switch to complex values, as is done in the appendix of [CGR10] for the quadratic case.

2. *Odd powers* Thanks to Proposition 3.7, we know that the part that requires the most work is the construction of return trajectories: say the power of the coupling is $2k + 1$, $k \in \mathbb{N}^*$, in order to control all the derivatives of v up to $2k + 1$, we would have to look for v in the form

$$\sum_{i=0}^{2k+1} f_i(t) g_i \left(\frac{|x - \frac{b+a}{2}|}{\lambda} \right).$$

This would call for ever longer computations, and for now there is no indication that there might or might not be new difficulties with these additional terms.

4.3 Boundary controllability

In this article we have explored a method to prove internal controllability with one control. However, to our knowledge there is no result for boundary controllability with one control for semilinear systems such as (1.1). Although boundary controllability is relatively easy to establish for simple equations, or when there are the same number of controls and equations, we cannot use results on the inversion of differential operators to reduce the number of controls.

Acknowledgements

This work is partially supported by ANR project Finite4SoS (ANR-15-CE23-0007). I would like to thank Jean-Michel Coron, who suggested that I work on this problem, for his continuous support and valuable remarks. I would also like to thank Shengquan Xiang, Amaury Hayat, Pierre Lissy and Frédéric Marbach for our discussions on this problem. Finally, I would like to express my gratitude towards the ETH-FIM for their generous support and their hospitality.

References

- [AB13] Fatiha Alabau-Boussouira. A hierarchic multi-level energy method for the control of bidiagonal and mixed n -coupled cascade systems of PDE's by a reduced number of controls. *Adv. Differential Equations*, 18(11-12):1005–1072, 2013.
- [AB14] Fatiha Alabau-Boussouira. Insensitizing exact controls for the scalar wave equation and exact controllability of 2-coupled cascade systems of PDE's by a single control. *Math. Control Signals Systems*, 26(1):1–46, 2014.
- [ABCO17] Fatiha Alabau-Boussouira, Jean-Michel Coron, and Guillaume Olive. Internal Controllability of First Order Quasi-linear Hyperbolic Systems with a Reduced Number of Controls. *SIAM J. Control Optim.*, 55(1):300–323, 2017.
- [ABL13] Fatiha Alabau-Boussouira and Matthieu Léautaud. Indirect controllability of locally coupled wave-type systems and applications. *J. Math. Pures Appl. (9)*, 99(5):544–576, 2013.
- [BC06] Karine Beauchard and Jean-Michel Coron. Controllability of a quantum particle in a moving potential well. *J. Funct. Anal.*, 232(2):328–389, 2006.
- [Bea05] Karine Beauchard. Local controllability of a 1-D Schrödinger equation. *J. Math. Pures Appl. (9)*, 84(7):851–956, 2005.
- [BL10] Karine Beauchard and Camille Laurent. Local controllability of 1D linear and nonlinear Schrödinger equations with bilinear control. *J. Math. Pures Appl. (9)*, 94(5):520–554, 2010.

- [BLR92] Claude Bardos, Gilles Lebeau, and Jeffrey Rauch. Sharp sufficient conditions for the observation, control, and stabilization of waves from the boundary. *SIAM J. Control Optim.*, 30(5):1024–1065, 1992.
- [CG17] Jean-Michel Coron and Jean-Philippe Guilleron. Control of three heat equations coupled with two cubic nonlinearities. *SIAM J. Control Optim.*, 55(2):989–1019, 2017.
- [CGR10] Jean-Michel Coron, Sergio Guerrero, and Lionel Rosier. Null controllability of a parabolic system with a cubic coupling term. *SIAM J. Control Optim.*, 48(8):5629–5653, 2010.
- [Che76] William C. Chewning. Controllability of the nonlinear wave equation in several space variables. *SIAM J. Control Optimization*, 14(1):19–25, 1976.
- [CKL99] Piermarco Cannarsa, Vilmos Komornik, and Paola Loreti. Controllability of semilinear wave equations with infinitely iterated logarithms. *Control Cybernet.*, 28(3):449–461, 1999. Recent advances in control of PDEs.
- [CKL02] Piermarco Cannarsa, Vilmos Komornik, and Paola Loreti. One-sided and internal controllability of semilinear wave equations with infinitely iterated logarithms. *Discrete Contin. Dyn. Syst.*, 8(3):745–756, 2002.
- [CL14] Jean-Michel Coron and Pierre Lissy. Local null controllability of the three-dimensional Navier-Stokes system with a distributed control having two vanishing components. *Invent. Math.*, 198(3):833–880, 2014.
- [Cor92] Jean-Michel Coron. Global asymptotic stabilization for controllable systems without drift. *Math. Control Signals Systems*, 5(3):295–312, 1992.
- [Cor93] Jean-Michel Coron. Contrôlabilité exacte frontière de l’équation d’Euler des fluides parfaits incompressibles bidimensionnels. *C.R. Acad. Sci. Paris*, 317:271–276, 1993.
- [Cor96] Jean-Michel Coron. On the controllability of 2-D incompressible perfect fluids. *J. Math. Pures Appl. (9)*, 75(2):155–188, 1996.
- [Cor07] Jean-Michel Coron. *Control and nonlinearity*, volume 136 of *Mathematical Surveys and Monographs*. American Mathematical Society, Providence, RI, 2007.
- [Fat75] Hector O. Fattorini. Local controllability of a nonlinear wave equation. *Math. Systems Theory*, 9(1):30–45, 1975.
- [FYZ07] Xiaoyu Fu, Jiongmin Yong, and Xu Zhang. Exact controllability for multidimensional semilinear hyperbolic equations. *SIAM J. Control Optim.*, 46(5):1578–1614, 2007.
- [G89] Matthias Günther. On the perturbation problem associated to isometric embeddings of Riemannian manifolds. *Ann. Global Anal. Geom.*, 7(1):69–77, 1989.
- [G91] Matthias Günther. Isometric embeddings of Riemannian manifolds. In *Proceedings of the International Congress of Mathematicians, Vol. I, II (Kyoto, 1990)*, pages 1137–1143. Math. Soc. Japan, Tokyo, 1991.
- [GBPGa05] Manuel González-Burgos and Rosario Pérez-García. Controllability of some coupled parabolic systems by one control force. *C. R. Math. Acad. Sci. Paris*, 340(2):125–130, 2005.
- [Gro86] Mikhail Gromov. *Partial differential relations*, volume 9 of *Ergebnisse der Mathematik und ihrer Grenzgebiete (3) [Results in Mathematics and Related Areas (3)]*. Springer-Verlag, Berlin, 1986.
- [HI11] Scott W. Hansen and Oleg Imanuvilov. Exact controllability of a multilayer Rao-Nakra plate with clamped boundary conditions. *ESAIM Control Optim. Calc. Var.*, 17(4):1101–1132, 2011.

- [Isi95] Alberto Isidori. *Nonlinear control systems*. Communications and Control Engineering Series. Springer-Verlag, Berlin, third edition, 1995.
- [KL00] Vilmos Komornik and Paola Loreti. Partial observability of coupled linear systems. *Acta Math. Hungar.*, 86(1-2):49–74, 2000.
- [Li10] Ta-Tsien Li. *Controllability and observability for quasilinear hyperbolic systems*, volume 3 of *AIMS Series on Applied Mathematics*. American Institute of Mathematical Sciences (AIMS), Springfield, MO; Higher Education Press, Beijing, 2010.
- [Lio88a] Jacques-Louis Lions. *Contrôlabilité exacte, perturbations et stabilisation de systèmes distribués. Tome 1*, volume 8 of *Recherches en Mathématiques Appliquées [Research in Applied Mathematics]*. Masson, Paris, 1988. Contrôlabilité exacte. [Exact controllability], With appendices by E. Zuazua, C. Bardos, G. Lebeau and J. Rauch.
- [Lio88b] Jacques-Louis Lions. *Contrôlabilité exacte, perturbations et stabilisation de systèmes distribués. Tome 2*, volume 9 of *Recherches en Mathématiques Appliquées [Research in Applied Mathematics]*. Masson, Paris, 1988. Perturbations. [Perturbations].
- [LR03] Ta-Tsien Li and Bo-Peng Rao. Exact boundary controllability for quasi-linear hyperbolic systems. *SIAM J. Control Optim.*, 41(6):1748–1755, 2003.
- [NvdS90] Henk Nijmeijer and Arjan van der Schaft. *Nonlinear dynamical control systems*. Springer-Verlag, New York, 1990.
- [Teb11] Louis Tebou. Some results on the controllability of coupled semilinear wave equations: the desensitizing control case. *SIAM J. Control Optim.*, 49(3):1221–1238, 2011.
- [Zha00a] Xu Zhang. Explicit observability estimate for the wave equation with potential and its application. *R. Soc. Lond. Proc. Ser. A Math. Phys. Eng. Sci.*, 456(1997):1101–1115, 2000.
- [Zha00b] Xu Zhang. Explicit observability inequalities for the wave equation with lower order terms by means of Carleman inequalities. *SIAM J. Control Optim.*, 39(3):812–834, 2000.
- [Zua91] Enrique Zuazua. Exact boundary controllability for the semilinear wave equation. In *Nonlinear partial differential equations and their applications. Collège de France Seminar, Vol. X (Paris, 1987–1988)*, volume 220 of *Pitman Res. Notes Math. Ser.*, pages 357–391. Longman Sci. Tech., Harlow, 1991.
- [Zua93] Enrique Zuazua. Exact controllability for semilinear wave equations in one space dimension. *Ann. Inst. H. Poincaré Anal. Non Linéaire*, 10(1):109–129, 1993.