



HAL
open science

Schrodinger operators with negative potentials and Lane-Emden densities

Lorenzo Brasco, Giovanni Franzina, Berardo Ruffini

► **To cite this version:**

Lorenzo Brasco, Giovanni Franzina, Berardo Ruffini. Schrodinger operators with negative potentials and Lane-Emden densities. 2017. <hal-01510816>

HAL Id: hal-01510816

<https://hal.science/hal-01510816v1>

Preprint submitted on 19 Apr 2017

HAL is a multi-disciplinary open access archive for the deposit and dissemination of scientific research documents, whether they are published or not. The documents may come from teaching and research institutions in France or abroad, or from public or private research centers.

L'archive ouverte pluridisciplinaire **HAL**, est destinée au dépôt et à la diffusion de documents scientifiques de niveau recherche, publiés ou non, émanant des établissements d'enseignement et de recherche français ou étrangers, des laboratoires publics ou privés.



HAL Authorization

SCHRÖDINGER OPERATORS WITH NEGATIVE POTENTIALS AND LANE-EMDEN DENSITIES

LORENZO BRASCO, GIOVANNI FRANZINA, AND BERARDO RUFFINI

ABSTRACT. We consider the Schrödinger operator $-\Delta + V$ for negative potentials V , on open sets with positive first eigenvalue of the Dirichlet-Laplacian. We show that the spectrum of $-\Delta + V$ is positive, provided that V is greater than a negative multiple of the logarithmic gradient of the solution to the Lane-Emden equation $-\Delta u = u^{q-1}$ (for some $1 \leq q < 2$). In this case, the ground state energy of $-\Delta + V$ is greater than the first eigenvalue of the Dirichlet-Laplacian, up to an explicit multiplicative factor. This is achieved by means of suitable Hardy-type inequalities, that we prove in this paper.

CONTENTS

1. Introduction	1
1.1. Foreword	1
1.2. Aim of the paper	3
1.3. Main results	4
1.4. Plan of the paper	5
2. Preliminaries	5
2.1. Notation	5
2.2. Lane-Emden densities: bounded sets	6
2.3. Lane-Emden densities: general sets	8
3. Hardy-Lane-Emden inequalities	9
4. Sobolev embeddings and densities	11
5. Hardy-Lane-Emden inequalities for sets with positive spectrum	16
6. Lower bounds for the ground state energy	17
7. Applications	20
7.1. N -dimensional ball	20
7.2. An infinite slab	21
7.3. A rectilinear wave-guide	22
Appendix A. A local L^∞ estimate for Lane-Emden densities	24
References	29

1. INTRODUCTION

1.1. **Foreword.** Let $V \in L^2_{\text{loc}}(\mathbb{R}^N)$ be a real-valued potential such that $V \leq 0$ and let us consider the *Schrödinger operator* $\mathcal{H}_V := -\Delta + V$, acting on the domain

$$\mathfrak{D}(\mathcal{H}_V) := H^2(\mathbb{R}^N) \cap \{u \in L^2(\mathbb{R}^N) : Vu \in L^2(\mathbb{R}^N)\}.$$

2010 *Mathematics Subject Classification.* 35P15, 47A75, 49S05.

Key words and phrases. Schrödinger operators, ground state energy, Hardy inequalities, Lane-Emden equation.

Observe that the hypothesis $V \in L^2_{\text{loc}}(\mathbb{R}^N)$ entails the inclusion

$$C_0^\infty(\mathbb{R}^N) \subset \mathfrak{D}(\mathcal{H}_V),$$

thus $\mathfrak{D}(\mathcal{H}_V)$ is dense in $L^2(\mathbb{R}^N)$. The operator $\mathcal{H}_V : \mathfrak{D}(\mathcal{H}_V) \rightarrow L^2(\mathbb{R}^N)$ is symmetric and self-adjoint as well, thanks to the fact that V is real-valued (see [16, Example p. 68]). The *spectrum* of \mathcal{H}_V is the set

$$\sigma(\mathcal{H}_V) = \mathbb{R} \setminus \rho(\mathcal{H}_V),$$

where $\rho(\mathcal{H}_V)$ is the *resolvent set* of \mathcal{H}_V , defined as the collection of real numbers λ such that $\mathcal{H}_V - \lambda$ is bijective and its inverse is a bounded linear operator.

A distinguished subset of $\sigma(\mathcal{H}_V)$ is given by the collection of those λ such that the kernel of $\mathcal{H}_V - \lambda$ is nontrivial and the *stationary Schrödinger equation*

$$(1.1) \quad \mathcal{H}_V u = \lambda u,$$

admits a nontrivial solution $u \in \mathfrak{D}(\mathcal{H}_V)$. Whenever this happens, λ is called an *eigenvalue* of the Schrödinger operator. Correspondingly, the solution is said to be an *eigenfunction* corresponding to λ .

The operator \mathcal{H}_V comes with the associated quadratic form

$$\varphi \mapsto \mathcal{Q}_V(\varphi) = \int_{\mathbb{R}^N} |\nabla \varphi|^2 dx + \int_{\mathbb{R}^N} V \varphi^2 dx, \quad \varphi \in \mathfrak{D}(\mathcal{H}_V).$$

From classical Spectral Theory, we have (see [16, Theorem 2.20])

$$(1.2) \quad \inf \sigma(\mathcal{H}_V) = \inf_{\varphi \in \mathfrak{D}(\mathcal{H}_V)} \left\{ \mathcal{Q}_V(\varphi) : \int_{\mathbb{R}^N} \varphi^2 dx = 1 \right\}.$$

We call such a value *ground state energy* of \mathcal{H}_V .

This quantity is important in classical Quantum Mechanics, since it is the lowest energy that a particle in \mathbb{R}^N interacting with the force field generated by the potential V can attain (and which will eventually attain by emitting energy). From a mathematical point of view, we observe that the stationary Schrödinger equation (1.1) is precisely the Euler-Lagrange equation of problem (1.2).

An issue of main interest is providing a lower bound on the ground state energy (and thus on the spectrum) of \mathcal{H}_V .

It is well-known that when $V \equiv 0$, then $\inf \sigma(\mathcal{H}_V) = 0$. On the other hand, if we take $V \leq 0$, the kinetic energy $\int_{\mathbb{R}^N} |\nabla \varphi|^2 dx$ and the potential energy $\int_{\mathbb{R}^N} V \varphi^2 dx$ are in competition in the quadratic form \mathcal{Q}_V and one could expect that

$$\inf \sigma(\mathcal{H}_V) < 0.$$

Actually, this depends on the potential V . For example, by recalling the Hardy inequality on \mathbb{R}^N (for $N \geq 3$)

$$\left(\frac{N-2}{2} \right)^2 \int_{\mathbb{R}^N} \frac{\varphi^2}{|x|^2} dx \leq \int_{\mathbb{R}^N} |\nabla \varphi|^2 dx, \quad \varphi \in C_0^\infty(\mathbb{R}^N \setminus \{0\}),$$

we get that if the potential V is such that

$$0 \geq V \geq - \left(\frac{N-2}{2} \right)^2 \frac{1}{|x|^2},$$

then the spectrum of \mathcal{H}_V is still non-negative. This is an example of how Hardy-type inequalities can be exploited in order to identify classes of negative potentials with non-negative spectrum.

1.2. Aim of the paper. In this paper we deal with a *confined* version of this problem. More precisely, we turn our attention to prescribed open sets $\Omega \subset \mathbb{R}^N$. We fix a potential $V \in L^2_{\text{loc}}(\Omega)$ such that $V \leq 0$ and consider the localized Schrödinger operator with homogeneous boundary conditions

$$\mathcal{H}_{\Omega,V} = -\Delta + V,$$

this time acting on the domain

$$(1.3) \quad \mathfrak{D}(\mathcal{H}_{\Omega,V}) := H^2(\Omega) \cap H_0^1(\Omega) \cap \{u \in L^2(\Omega) : Vu \in L^2(\Omega)\}.$$

Here $H_0^1(\Omega)$ is the closure of $C_0^\infty(\Omega)$ in the Sobolev space $H^1(\Omega)$. This is still a symmetric and self-adjoint operator $\mathcal{H}_V : \mathfrak{D}(\mathcal{H}_{\Omega,V}) \rightarrow L^2(\Omega)$, with real spectrum $\sigma(\mathcal{H}_{\Omega,V})$. Observe that the hypothesis $V \in L^2_{\text{loc}}(\Omega)$ entails as before the inclusion

$$C_0^\infty(\Omega) \subset \mathfrak{D}(\mathcal{H}_{\Omega,V}),$$

thus the operator is densely defined. We define the associated quadratic form

$$\mathcal{Q}_{\Omega,V}(\varphi) = \int_{\Omega} |\nabla \varphi|^2 dx + \int_{\Omega} V \varphi^2 dx, \quad \varphi \in \mathfrak{D}(\mathcal{H}_{\Omega,V}).$$

The stationary equation (1.1) now reads

$$(1.4) \quad \begin{cases} \mathcal{H}_{\Omega,V} u = \lambda u & \text{in } \Omega, \\ u = 0, & \text{in } \mathbb{R}^N \setminus \Omega. \end{cases}$$

Equation (1.4) can be formally considered as a peculiar form of (1.1), where the potential V has the *trapping property* $V = +\infty$ in $\mathbb{R}^N \setminus \Omega$. This models the physical situation where the particle is “trapped” in the confining region Ω .

The issue we tackle is the following

*“find explicit pointwise bounds on the potential V
assuring that the ground state energy of $\mathcal{H}_{\Omega,V}$ stays positive”*

In the vein of the example discussed above using Hardy’s inequality in the entire space, we will approach this problem by proving localized Hardy-type inequalities with suitable weights. A typical instance of these inequalities occurs when we limit ourselves to consider functions supported in a proper open subset $\Omega \subset \mathbb{R}^N$ and we use the distance $d_{\Omega}(x) := \text{dist}(x, \partial\Omega)$ as a weight. In other words, one has

$$\frac{1}{C} \int_{\Omega} \frac{\varphi^2}{d_{\Omega}^2} dx \leq \int_{\Omega} |\nabla \varphi|^2 dx, \quad \varphi \in C_0^\infty(\Omega).$$

However, the existence of such a constant $C > 0$ typically requires some conditions on the geometry of the set Ω or on the regularity of its boundary. In this paper on the contrary, we will prove alternative Hardy-type inequalities, with weights depending on solutions of peculiar elliptic partial differential equations.

Roughly speaking, we will consider the solution $w_{q,\Omega}$ to the *Lane-Emden equation*¹ with $1 \leq q < 2$

$$(1.5) \quad \begin{cases} -\Delta u = u^{q-1} & \text{in } \Omega, \\ u = 0, & \text{in } \mathbb{R}^N \setminus \Omega, \\ u > 0, & \text{in } \Omega, \end{cases}$$

prove a Hardy inequality with weight depending on $w_{q,\Omega}$ and show that condition

$$0 \geq V \gtrsim - \left| \frac{\nabla w_{q,\Omega}}{w_{q,\Omega}} \right|^2, \quad \text{a. e. in } \Omega$$

leads to positivity of the spectrum of the Schrödinger operator $\mathcal{H}_{\Omega,V}$.

The function $w_{q,\Omega}$ will be called *Lane-Emden q -density of Ω* , we refer to Definitions 2.5 and 2.8 below.

1.3. Main results. Let us now try to be more precise about our results. For, we first need to fix some definitions. For $\gamma \geq 1$, we denote

$$(1.6) \quad \lambda_{2,\gamma}(\Omega) = \inf_{\varphi \in C_0^\infty(\Omega)} \left\{ \int_{\Omega} |\nabla \varphi|^2 dx : \|\varphi\|_{L^\gamma(\Omega)} = 1 \right\}.$$

Henceforth we shall often work with the following class of sets.

Definition 1.1. We say that $\Omega \subset \mathbb{R}^N$ is an *open set with positive spectrum* if it is open and

$$(1.7) \quad \lambda_1(\Omega) := \lambda_{2,2}(\Omega) = \inf_{\varphi \in C_0^\infty(\Omega)} \left\{ \int_{\Omega} |\nabla \varphi|^2 dx : \|\varphi\|_{L^2(\Omega)} = 1 \right\} > 0.$$

The main result of the paper is the following lower bound on the ground state energy of $\mathcal{H}_{\Omega,V}$. We refer to Theorem 6.2 and Corollary 6.3 for its proof.

Theorem 1.2. *Let $\Omega \subset \mathbb{R}^N$ be an open set with positive spectrum, and let $V \in L_{\text{loc}}^2(\Omega)$. For an exponent $1 \leq q < 2$, we assume that*

$$0 \geq V \geq -\frac{1}{4} \left| \frac{\nabla w_{q,\Omega}}{w_{q,\Omega}} \right|^2, \quad \text{a. e. in } \Omega.$$

Then the spectrum $\sigma(\mathcal{H}_V)$ of $\mathcal{H}_{\Omega,V}$ is positive and we have that

$$\inf \sigma(\mathcal{H}_V) = \inf_{\varphi \in C_0^\infty(\Omega)} \left\{ \mathcal{Q}_{\Omega,V}(\varphi) : \int_{\Omega} \varphi^2 dx = 1 \right\} \geq \frac{1}{C} \lambda_1(\Omega),$$

where $C = C(N, q) > 0$ is an explicit dimensional constant.

As stated above, the main tool we use to prove this result is an Hardy-type inequality, in which a weight involving the solution $w_{q,\Omega}$ of the Lane-Emden equation (1.5) enters. This is the content of the next result. For questions related to optimal choices of weights in Hardy-type inequalities, see [10] and the references therein.

¹The terminology comes from astrophysics, where the Lane-Emden equation is

$$\frac{1}{\varrho^2} \frac{d}{d\varrho} \left(\varrho^2 \frac{du}{d\varrho} \right) + u^\gamma = 0,$$

for a radially symmetric function $u : \mathbb{R}^3 \rightarrow \mathbb{R}$. The positive number γ is usually called *polytropic index*. Observe that for a radial function u defined in \mathbb{R}^3 , this is equivalent to

$$-\Delta u = u^\gamma.$$

Though our paper is not concerned with astrophysics, we found useful to give a name to the equation and its solution.

Theorem 1.3 (Hardy-Lane-Emden inequality). *Let $1 \leq q < 2$ and let $\Omega \subset \mathbb{R}^N$ be an open set with positive spectrum. Then for every $u \in C_0^\infty(\Omega)$ and $\delta > 0$ we have that*

$$\frac{1}{\delta} \left(1 - \frac{1}{\delta}\right) \int_{\Omega} \left| \frac{\nabla w_{q,\Omega}}{w_{q,\Omega}} \right|^2 \varphi^2 dx + \frac{1}{\delta} \int_{\Omega} \frac{\varphi^2}{w_{q,\Omega}^{2-q}} dx \leq \int_{\Omega} |\nabla \varphi|^2 dx.$$

We refer to Remark 3.2 for some comments about the proof of this result.

1.4. Plan of the paper. The paper is organized as follows: in Section 2, we define the Lane-Emden q -density of a set $\Omega \subset \mathbb{R}^N$, first under the assumption that Ω is bounded and then for a general open set. Then in Section 3 we prove the Hardy-Lane-Emden inequality of Theorem 1.3 for bounded open sets.

In Section 4 we show how the summability properties of the Lane-Emden densities are equivalent to the embedding of $\mathcal{D}_0^{1,2}(\Omega)$ into suitable Lebesgue spaces. This part generalizes some results contained in the recent paper [3], by replacing the torsion function with any Lane-Emden q -density. Though this section may appear unrelated to ground state energy estimates for $\mathcal{H}_{\Omega,V}$, some of its outcomes are used to extend (in Section 5) the Hardy-Lane-Emden inequality to open sets with positive spectrum.

The proof of Theorem 1.2 is then contained in Section 6, while Section 7 contains some applications of our main result to some particular geometries (a ball, an infinite slab and a rectilinear wave-guide with circular cross-section).

We conclude the paper with an Appendix, containing a local L^∞ estimate for subsolutions of the Lane-Emden equation, which is necessary in order to get the explicit lower bound on the ground state energy of $\mathcal{H}_{\Omega,V}$.

Acknowledgments. The first author would like to thank Douglas Lundholm for a discussion on Hardy inequalities and the so-called *Ground State Representation* in February 2017. Remark 4.4 comes from an informal discussion with Guido De Philippis in December 2015, we wish to thank him.

The authors are members of the Gruppo Nazionale per l'Analisi Matematica, la Probabilità e le loro Applicazioni (GNAMPA) of the Istituto Nazionale di Alta Matematica (INdAM).

2. PRELIMINARIES

2.1. Notation. Let $\Omega \subset \mathbb{R}^N$ be an open set and define the norm on $C_0^\infty(\Omega)$

$$\|\varphi\|_{\mathcal{D}_0^{1,2}(\Omega)} = \left(\int_{\Omega} |\nabla \varphi|^2 dx \right)^{\frac{1}{2}}, \quad \varphi \in C_0^\infty(\Omega).$$

We consider the *homogeneous Sobolev space* $\mathcal{D}_0^{1,2}(\Omega)$, obtained as the completion of $C_0^\infty(\Omega)$ with respect to the norm $\|\cdot\|_{\mathcal{D}_0^{1,2}(\Omega)}$. For $N \geq 3$ this is always a functional space, thanks to Sobolev inequality but in dimension $N = 1$ or $N = 2$, this may fail to be even a space of distributions if Ω is “too large”, see for example [9, Remark 4.1].

Remark 2.1. For an open set with positive spectrum Ω , we have automatically continuity of the embedding $\mathcal{D}_0^{1,2}(\Omega) \hookrightarrow L^2(\Omega)$. Thus in this case $\mathcal{D}_0^{1,2}(\Omega)$ is a functional space. Moreover, we have that

$$\mathcal{D}_0^{1,2}(\Omega) = H_0^1(\Omega),$$

thanks to the fact that

$$\left(\int_{\Omega} |\nabla \varphi|^2 dx \right)^{\frac{1}{2}} \quad \text{and} \quad \left(\int_{\Omega} |\nabla \varphi|^2 dx \right)^{\frac{1}{2}} + \left(\int_{\Omega} \varphi^2 dx \right)^{\frac{1}{2}},$$

are equivalent norms on $C_0^\infty(\Omega)$.

2.2. Lane-Emden densities: bounded sets. We start with the following auxiliary result.

Lemma 2.2. *Let $\Omega \subset \mathbb{R}^N$ be an open bounded set. For $1 \leq q < 2$, the variational problem*

$$(2.1) \quad \min_{\varphi \in \mathcal{D}_0^{1,2}(\Omega)} \left\{ \frac{1}{2} \int_{\Omega} |\nabla \varphi|^2 dx - \frac{1}{q} \int_{\Omega} \varphi^q dx : \varphi \geq 0 \text{ a. e. in } \Omega \right\},$$

admits a unique solution.

Proof. Since the absolute value of every minimizer of the functional

$$\varphi \mapsto \frac{1}{2} \int_{\Omega} |\nabla \varphi|^2 dx - \frac{1}{q} \int_{\Omega} |\varphi|^q dx,$$

is also a minimizer of (2.1), problem (2.1) is equivalent to

$$\min_{\varphi \in \mathcal{D}_0^{1,2}(\Omega)} \left\{ \frac{1}{2} \int_{\Omega} |\nabla \varphi|^2 dx - \frac{1}{q} \int_{\Omega} |\varphi|^q dx \right\}.$$

The existence of a solution follows then by the Direct Methods in the Calculus of Variations, since the embedding $\mathcal{D}_0^{1,2}(\Omega) \hookrightarrow L^q(\Omega)$ is compact and $\mathcal{D}_0^{1,2}(\Omega)$ is weakly closed.

As for uniqueness, we first suppose that Ω is connected. We observe that for $q = 1$ problem (2.1) is strictly convex, thus the solution is unique. For $1 < q < 2$, we can use a trick by Brezis and Oswald based on the so-called *Picone's inequality*, see [6, Theorem 1]. We reproduce their argument here for completeness. We first observe that a minimizer is a positive solution of the Lane-Emden equation

$$(2.2) \quad -\Delta u = u^{q-1}, \quad \text{in } \Omega,$$

with homogeneous Dirichlet boundary conditions. More precisely, for every $\varphi \in \mathcal{D}_0^{1,2}(\Omega)$ it holds

$$(2.3) \quad \int_{\Omega} \langle \nabla u, \nabla \varphi \rangle dx = \int_{\Omega} u^{q-1} \varphi dx.$$

We now suppose that (2.1) admits two minimizers $u_1, u_2 \in \mathcal{D}_0^{1,2}(\Omega)$. By the minimum principle for superharmonic functions, $u_1 > 0$ and $u_2 > 0$ on Ω . Moreover, by standard Elliptic Regularity, $u_1, u_2 \in L^\infty(\Omega)$. We fix $\varepsilon > 0$, then we test equation (2.3) for u_1 with

$$\varphi = \frac{u_2^2}{u_1 + \varepsilon} - u_1,$$

and equation (2.3) for u_2 with

$$\varphi = \frac{u_1^2}{u_2 + \varepsilon} - u_2.$$

Summing up, we get that

$$\begin{aligned} \int_{\Omega} \left\langle \nabla u_1, \nabla \left(\frac{u_2^2}{u_1 + \varepsilon} \right) \right\rangle dx - \int_{\Omega} |\nabla u_1|^2 dx + \int_{\Omega} \left\langle \nabla u_2, \nabla \left(\frac{u_1^2}{u_2 + \varepsilon} \right) \right\rangle dx - \int_{\Omega} |\nabla u_2|^2 dx \\ = \int_{\Omega} \frac{u_1^{q-1}}{u_1 + \varepsilon} u_2^2 - \int_{\Omega} u_1^q dx + \int_{\Omega} \frac{u_2^{q-1}}{u_2 + \varepsilon} u_1^2 - \int_{\Omega} u_2^q dx. \end{aligned}$$

We now recall that

$$(2.4) \quad \left\langle \nabla u, \nabla \left(\frac{v^2}{u} \right) \right\rangle \leq |\nabla v|^2,$$

for v and $u > 0$ differentiable. This is precisely Picone's inequality, see for example [2]. By observing that $\nabla u_i = \nabla(u_i + \varepsilon)$ and using (2.4) in the identity above, we conclude that

$$\int_{\Omega} \frac{u_1^{q-1}}{u_1 + \varepsilon} u_2^2 dx - \int_{\Omega} u_1^q dx + \int_{\Omega} \frac{u_2^{q-1}}{u_2 + \varepsilon} u_1^2 dx - \int_{\Omega} u_2^q dx \leq 0.$$

We now take the limit as ε goes to 0. By Fatou's Lemma, we obtain that

$$\int_{\Omega} u_1^{q-2} u_2^2 dx - \int_{\Omega} u_1^q dx + \int_{\Omega} u_2^{q-2} u_1^2 dx - \int_{\Omega} u_2^q dx \leq 0.$$

The previous terms can be recast into inequality

$$\int_{\Omega} (u_2^2 - u_1^2) (u_2^{q-2} - u_1^{q-2}) dx \geq 0.$$

By using the fact the function $t \mapsto t^{q-2}$ is monotone decreasing, we get that $u_1 = u_2$ as desired.

Finally, if Ω is not connected, it is sufficient to observe that a solution of (2.1) must minimize the same functional on every connected component, due to the locality of the functional; since the solution is unique on every connected component, we get the conclusion in this case as well. \square

Remark 2.3 (About uniqueness). Uniqueness of the solution to (2.1) can also be inferred directly at the level of the minimization problem. It is sufficient to observe that the functional to be minimized is convex along curves of the form

$$\gamma_t = \left((1-t)\varphi_0^q + t\varphi_1^q \right)^{\frac{1}{q}}, \quad t \in [0, 1], \quad \varphi_0, \varphi_1 \in \mathcal{D}_0^{1,2}(\Omega) \text{ positive,}$$

see [2, Proposition 2.6]. Then one can reproduce the uniqueness proof of [1]. For a different proof of the uniqueness for (2.2), we also refer to [11, Corollary 4.2].

Remark 2.4. It is useful to keep in mind that if $u \in \mathcal{D}_0^{1,2}(\Omega)$ solves equation

$$-\Delta u = t u^{q-1}, \quad \text{in } \Omega,$$

for some $t > 0$, then the new function

$$v_t = t^{\frac{1}{q-2}} u,$$

solves (2.2).

Definition 2.5. Let $\Omega \subset \mathbb{R}^N$ be an open bounded set. For $1 \leq q < 2$, we define the *Lane-Emden q -density* of Ω as the unique solution of (2.1). We denote such a solution by $w_{q,\Omega}$. In the case $q = 1$, we simply write w_{Ω} and call it *torsion function* of Ω .

The variational problem defining $w_{q,\Omega}$ is related to the optimal Poincaré constant $\lambda_{2,q}(\Omega)$ defined in (1.6). This is the content of the next result, that we record for completeness. We omit the proof since it is based on a straightforward scaling argument.

Lemma 2.6. *Let $1 \leq q < 2$ and let $\Omega \subset \mathbb{R}^N$ be an open bounded set. Then we have*

$$(2.5) \quad \min_{\varphi \in \mathcal{D}_0^{1,2}(\Omega)} \left\{ \frac{1}{2} \int_{\Omega} |\nabla \varphi|^2 dx - \frac{1}{q} \int_{\Omega} \varphi^q dx : \varphi \geq 0 \text{ in } \Omega \right\} = \frac{q-2}{2q} \left(\frac{1}{\lambda_{2,q}(\Omega)} \right)^{\frac{q}{2-q}}$$

and

$$(2.6) \quad \left(\int_{\Omega} |w_{q,\Omega}|^q dx \right)^{\frac{2-q}{q}} = \frac{1}{\lambda_{2,q}(\Omega)}.$$

2.3. Lane-Emden densities: general sets. We now want to define the Lane-Emden densities for a general open set, where the variational problem

$$\inf_{\varphi \in \mathcal{D}_0^{1,2}(\Omega)} \left\{ \frac{1}{2} \int_{\Omega} |\nabla \varphi|^2 dx - \frac{1}{q} \int_{\Omega} \varphi^q dx : \varphi \geq 0 \text{ in } \Omega \right\},$$

may fail to admit a solution.

We start with a sort of comparison principle for Lane-Emden densities.

Lemma 2.7. *Let $1 \leq q < 2$ and let $\Omega_1 \subset \Omega_2 \subset \mathbb{R}^N$ be two open bounded sets. Then we have*

$$w_{q,\Omega_1} \leq w_{q,\Omega_2}.$$

Proof. We test the minimality of w_{q,Ω_1} against $\varphi = \min\{w_{q,\Omega_1}, w_{q,\Omega_2}\}$. After some simple manipulations, this gives

$$\begin{aligned} & \frac{1}{2} \int_{\{w_{q,\Omega_2} < w_{q,\Omega_1}\}} |\nabla w_{q,\Omega_2}|^2 dx - \frac{1}{q} \int_{\{w_{q,\Omega_2} < w_{q,\Omega_1}\}} w_{q,\Omega_2}^q dx \\ & \geq \frac{1}{2} \int_{\{w_{q,\Omega_2} < w_{q,\Omega_1}\}} |\nabla w_{q,\Omega_1}|^2 dx - \frac{1}{q} \int_{\{w_{q,\Omega_2} < w_{q,\Omega_1}\}} w_{q,\Omega_1}^q dx. \end{aligned}$$

We now add on both sides the term

$$\frac{1}{2} \int_{\{w_{q,\Omega_2} > w_{q,\Omega_1}\}} |\nabla w_{q,\Omega_2}|^2 dx - \frac{1}{q} \int_{\{w_{q,\Omega_2} > w_{q,\Omega_1}\}} w_{q,\Omega_2}^q dx,$$

thus if set $U = \max\{w_{q,\Omega_1}, w_{q,\Omega_2}\}$, we get that

$$\frac{1}{2} \int_{\Omega_2} |\nabla w_{q,\Omega_2}|^2 dx - \frac{1}{q} \int_{\Omega_2} w_{q,\Omega_2}^q dx \geq \frac{1}{2} \int_{\Omega_2} |\nabla U|^2 dx - \frac{1}{q} \int_{\Omega_2} U^q dx.$$

By uniqueness of the minimizer w_{q,Ω_2} , this gives $U = w_{q,\Omega_2}$. By recalling the definition of U , this in turn yields the desired conclusion. \square

Thanks to the previous property, we can define the Lane-Emden density for every open set. In what follows, we set

$$\Omega_R = \Omega \cap B_R(0), \quad R > 0,$$

where $B_R(0)$ is the N -dimensional open ball, with radius R and centered at the origin.

Definition 2.8. Let $\Omega \subset \mathbb{R}^N$ be an open set. For $1 \leq q < 2$ we define

$$w_{q,\Omega} = \lim_{R \rightarrow +\infty} w_{q,\Omega_R}.$$

We observe that this definition is well-posed, since each $w_{q,\Omega_R} \in \mathcal{D}_0^{1,2}(\Omega_R)$ exists thanks to the boundedness of Ω_R and the function

$$R \mapsto w_{q,\Omega_R}(x),$$

is monotone, thanks to Lemma 2.7.

Remark 2.9 (Consistency). When $\Omega \subset \mathbb{R}^N$ is an open bounded set or, more generally, is such that the embedding $\mathcal{D}_0^{1,2}(\Omega) \hookrightarrow L^q(\Omega)$ is compact, then the definition of $w_{q,\Omega}$ above coincides with the variational one. For $q = 1$ this is proved in [3, Lemma 2.4], the other cases can be treated in exactly the same way. We skip the details.

3. HARDY-LANE-EMDEN INEQUALITIES

The following theorem, which is a generalization of [3, Theorem 4.3], is the main result of the present section. For simplicity, we state and prove the result just for open *bounded* sets, but it is easily seen that the same proof works for every open set $\Omega \subset \mathbb{R}^N$ such that the embedding $\mathcal{D}_0^{1,2}(\Omega) \hookrightarrow L^q(\Omega)$ is compact.

Theorem 3.1. *Let $1 \leq q < 2$ and let $\Omega \subset \mathbb{R}^N$ be an open bounded set. Then for every $\varphi \in C_0^\infty(\Omega)$ and $\delta > 0$ we have*

$$(3.1) \quad \frac{1}{\delta} \int_{\Omega} \left[\left(1 - \frac{1}{\delta}\right) \left| \frac{\nabla w_{q,\Omega}}{w_{q,\Omega}} \right|^2 + \frac{1}{w_{q,\Omega}^{2-q}} \right] \varphi^2 dx \leq \int_{\Omega} |\nabla \varphi|^2 dx.$$

Proof. We recall that

$$(3.2) \quad \int_{\Omega} \langle \nabla w_{q,\Omega}, \nabla \psi \rangle dx = \int_{\Omega} w_{q,\Omega}^{q-1} \psi dx,$$

for any $\psi \in \mathcal{D}_0^{1,2}(\Omega)$. Let $\varphi \in C_0^\infty(\Omega)$ and let $\varepsilon > 0$, by taking in (3.2) the test function

$$\psi = \frac{\varphi^2}{w_{q,\Omega} + \varepsilon},$$

we get

$$(3.3) \quad \int_{\Omega} \left[\frac{|\nabla w_{q,\Omega}|^2 + w_{q,\Omega}^{q-1} (w_{q,\Omega} + \varepsilon)}{(w_{q,\Omega} + \varepsilon)^2} \right] \varphi^2 dx = 2 \int_{\Omega} \varphi \left\langle \frac{\nabla w_{q,\Omega}}{(w_{q,\Omega} + \varepsilon)}, \nabla \varphi \right\rangle dx.$$

By Young's inequality, it holds

$$\varphi \left\langle \frac{\nabla w_{q,\Omega}}{(w_{q,\Omega} + \varepsilon)}, \nabla \varphi \right\rangle \leq \frac{\delta}{2} |\nabla \varphi|^2 + \frac{1}{2\delta} \frac{|\nabla w_{q,\Omega}|^2}{(w_{q,\Omega} + \varepsilon)^2} \varphi^2$$

for $\delta > 0$. Thus we get

$$\int_{\Omega} \left[\frac{|\nabla w_{q,\Omega}|^2 + w_{q,\Omega}^{q-1} (w_{q,\Omega} + \varepsilon)}{(w_{q,\Omega} + \varepsilon)^2} \right] \varphi^2 dx \leq \delta \int_{\Omega} |\nabla \varphi|^2 dx + \frac{1}{\delta} \int_{\Omega} \frac{|\nabla w_{q,\Omega}|^2}{(w_{q,\Omega} + \varepsilon)^2} \varphi^2 dx.$$

The previous inequality gives

$$\frac{1}{\delta} \int_{\Omega} \left[\left(1 - \frac{1}{\delta}\right) \frac{|\nabla w_{q,\Omega}|^2}{(w_{q,\Omega} + \varepsilon)^2} + \frac{w_{q,\Omega}^{q-1}}{(w_{q,\Omega} + \varepsilon)} \right] \varphi^2 dx \leq \int_{\Omega} |\nabla \varphi|^2 dx.$$

By recalling that φ is compactly supported in Ω and observing that²

$$\left| \frac{\nabla w_{q,\Omega}}{w_{q,\Omega}} \right|^2 \in L^1_{\text{loc}}(\Omega),$$

we conclude the proof by taking the limit as ε goes to 0 and appealing to the Monotone Convergence Theorem. \square

Remark 3.2 (A comment on the proof). The idea of the previous proof comes from that of *Moser's logarithmic estimate* for elliptic partial differential equations, see [14, page 586]. In regularity theory, this is an essential tool in order to establish the validity of Harnack's inequality for solutions.

An alternative proof is based on Picone's inequality (2.4). This goes as follows: one observe that the function $W = w_{q,\Omega}^{1/\delta}$ locally solves

$$\begin{aligned} -\Delta W &= -\frac{1}{\delta} w_{q,\Omega}^{\frac{1}{\delta}-1} \Delta w_{q,\Omega} - \frac{1}{\delta} \left(\frac{1}{\delta} - 1 \right) w_{q,\Omega}^{\frac{1}{\delta}-2} |\nabla w_{q,\Omega}|^2 \\ &= W \left[\frac{1}{\delta} w_{q,\Omega}^{q-2} + \frac{1}{\delta} \left(1 - \frac{1}{\delta}\right) \left| \frac{\nabla w_{q,\Omega}}{w_{q,\Omega}} \right|^2 \right]. \end{aligned}$$

Thus we have

$$\int_{\Omega} \left[\frac{1}{\delta} w_{q,\Omega}^{q-2} + \frac{1}{\delta} \left(1 - \frac{1}{\delta}\right) \left| \frac{\nabla w_{q,\Omega}}{w_{q,\Omega}} \right|^2 \right] W \psi dx = \int_{\Omega} \langle \nabla W, \nabla \psi \rangle dx,$$

for every $\psi \in C_0^\infty(\Omega)$. If we now take the test function $\psi = \varphi^2/W$ and use inequality (2.4), we get the desired inequality.

This technique to obtain Hardy-type inequality is sometimes referred to as *Ground State Representation*, see for example [12, Proposition 1].

As a consequence of the Hardy-Lane-Emden inequality, we record the following integrability properties of functions in $\mathcal{D}_0^{1,2}(\Omega)$.

Corollary 3.3. *Let $1 \leq q < 2$ and let $\Omega \subset \mathbb{R}^N$ be an open bounded set. Then*

$$(3.4) \quad \int_{\Omega} \left| \frac{\nabla w_{q,\Omega}}{w_{q,\Omega}} \right|^2 \varphi^2 dx < +\infty \quad \text{and} \quad \int_{\Omega} \frac{\varphi^2}{w_{q,\Omega}^{2-q}} dx < +\infty,$$

for every $\varphi \in \mathcal{D}_0^{1,2}(\Omega)$. Moreover, if $\{\varphi_n\}_{n \in \mathbb{N}} \subset \mathcal{D}_0^{1,2}(\Omega)$ converges strongly to $\varphi \in \mathcal{D}_0^{1,2}(\Omega)$, then

$$\lim_{n \rightarrow \infty} \int_{\Omega} \left| \frac{\nabla w_{q,\Omega}}{w_{q,\Omega}} \right|^2 |\varphi_n - \varphi|^2 dx = 0 \quad \text{and} \quad \lim_{n \rightarrow \infty} \int_{\Omega} \frac{|\varphi_n - \varphi|^2}{w_{q,\Omega}^{2-q}} dx = 0.$$

²It is sufficient to remark that $\nabla w_{q,\Omega} \in L^2(\Omega)$ and that by the strong minimum principle, we have

$$w_{q,\Omega} \geq c_K > 0 \quad \text{for every } K \Subset \Omega.$$

Proof. Let $\varphi \in \mathcal{D}_0^{1,2}(\Omega)$, then there exists $\{\varphi_n\}_{n \in \mathbb{N}} \subset C_0^\infty(\Omega)$ converging to φ in $\mathcal{D}_0^{1,2}(\Omega)$. By choosing $\delta = 2$ in (3.1), we have that

$$\frac{1}{4} \int_{\Omega} \left[\left| \frac{\nabla w_{q,\Omega}}{w_{q,\Omega}} \right|^2 + \frac{2}{w_{q,\Omega}^{2-q}} \right] \varphi_n^2 dx \leq \int_{\Omega} |\nabla \varphi_n|^2 dx.$$

By using the norm convergence in the right-hand side and Fatou's Lemma in the left-hand side, we deduce the validity of (3.4) for φ .

In order to prove the second part of the statement, we observe that the first part of the proof also implies the validity of inequality (3.1) in $\mathcal{D}_0^{1,2}(\Omega)$, for $\delta = 2$. Plugging in $\varphi_n - \varphi$ gives that

$$\limsup_{n \rightarrow \infty} \frac{1}{4} \int_{\Omega} \left[\left| \frac{\nabla w_{q,\Omega}}{w_{q,\Omega}} \right|^2 + \frac{2}{w_{q,\Omega}^{2-q}} \right] |\varphi_n - \varphi|^2 dx \leq \lim_{n \rightarrow \infty} \int_{\Omega} |\nabla \varphi_n - \nabla \varphi|^2 dx = 0,$$

as desired. \square

As a consequence of Corollary 3.3 and thanks to the definition of $\mathcal{D}_0^{1,2}(\Omega)$, we get the following

Corollary 3.4. *The Hardy-Lane-Emden inequality (3.1) is valid for every $\delta > 0$ and $u \in \mathcal{D}_0^{1,2}(\Omega)$.*

4. SOBOLEV EMBEDDINGS AND DENSITIES

In this section, we consider general open sets and study the connections between the integrability of $w_{q,\Omega}$ and the embeddings of $\mathcal{D}_0^{1,2}(\Omega)$ into Lebesgue spaces. For the case of the torsion function, i.e. when $q = 1$, related studies can be found in [3, 5, 7] and [8].

We start with a simple consequence of Theorem 3.1. This is valid for a general open set.

Lemma 4.1. *Let $\Omega \subset \mathbb{R}^N$ be an open set and $1 \leq q < 2$. Then for any $\varphi \in C_0^\infty(\Omega)$ it holds that*

$$\int_{\{x \in \Omega : w_{q,\Omega}(x) < +\infty\}} \frac{\varphi^2}{w_{q,\Omega}^{2-q}} dx \leq \int_{\Omega} |\nabla \varphi|^2 dx.$$

Proof. Let $B_R(0)$ be the ball of radius R centered in 0, we set $\Omega_R = \Omega \cap B_R(0)$ and $w_R = w_{q,\Omega_R}$. Then by using (3.1) on Ω_R with $\delta = 1$, we get

$$\int_{\Omega} \frac{\varphi^2}{w_R^{2-q}} dx \leq \int_{\Omega} |\nabla \varphi|^2 dx.$$

We conclude by letting $R \rightarrow +\infty$ and by Fatou's Lemma. \square

The following result is a generalization of [3, Theorem 1.2]. We point out that the equivalence between 1. and 2. below is a known fact in Sobolev space theory, see [13, Theorems 15.6.2].

Theorem 4.2. *Let $1 \leq q < 2$ and let $\Omega \subset \mathbb{R}^N$ be an open set. Then for every $q \leq \gamma < 2$ the following three facts are equivalent*

1. *the embedding $\mathcal{D}_0^{1,2}(\Omega) \hookrightarrow L^\gamma(\Omega)$ is continuous;*
2. *the embedding $\mathcal{D}_0^{1,2}(\Omega) \hookrightarrow L^\gamma(\Omega)$ is compact;*
3. *$w_{q,\Omega} \in L^{\frac{2-q}{2-\gamma}}(\Omega)$.*

Moreover, we have the double-sided estimates

$$(4.1) \quad 1 \leq \lambda_{2,\gamma}(\Omega) \left(\int_{\Omega} w_{q,\Omega}^{\frac{2-q}{2-\gamma}\gamma} dx \right)^{\frac{2-\gamma}{\gamma}} \leq \frac{2-\gamma}{\gamma-2(q-1)} \left(\frac{2-q}{2-\gamma} \right)^2,$$

where $\lambda_{2,\gamma}(\Omega)$ is the optimal Poincaré constant defined in (1.6).

Proof. As announced above, the equivalence 1. \iff 2. is already known, see also [3, Theorem 1.2] for a different proof. It is sufficient to prove the equivalence 1. \iff 3.

Let us suppose that the embedding $\mathcal{D}_0^{1,2}(\Omega) \hookrightarrow L^\gamma(\Omega)$ is continuous. As always, we set $B_R(0)$ the ball of radius R centered in 0, $\Omega_R = \Omega \cap B_R(0)$ and $w_R = w_{q,\Omega_R}$. Then by testing (2.3) with w_R^β for some $\beta \geq 1$, we get

$$\begin{aligned} \int_{\Omega_R} w_R^{\beta+q-1} dx &= \beta \left(\frac{2}{\beta+1} \right)^2 \int_{\Omega_R} \left| \nabla w_R^{\frac{\beta+1}{2}} \right|^2 dx \\ &\geq \beta \left(\frac{2}{\beta+1} \right)^2 \lambda_{2,\gamma}(\Omega_R) \left(\int_{\Omega_R} w_R^{\frac{\beta+1}{2}\gamma} dx \right)^{\frac{2}{\gamma}} \\ &\geq \beta \left(\frac{2}{\beta+1} \right)^2 \lambda_{2,\gamma}(\Omega) \left(\int_{\Omega_R} w_R^{\frac{\beta+1}{2}\gamma} dx \right)^{\frac{2}{\gamma}}. \end{aligned}$$

By choosing³

$$\beta = \frac{\gamma - 2(q-1)}{2-\gamma},$$

from the previous estimate we get

$$\left(\int_{\Omega_R} w_R^{\frac{2-q}{2-\gamma}\gamma} dx \right)^{\frac{2-\gamma}{\gamma}} \leq \frac{2-\gamma}{\gamma-2(q-1)} \left(\frac{2-q}{2-\gamma} \right)^2 \frac{1}{\lambda_{2,\gamma}(\Omega)}$$

By Fatou's Lemma, we can take the limit as R goes to $+\infty$ and get the desired integrability of $w_{q,\Omega}$, together with the upper estimate in (4.1).

Suppose now that $w_{q,\Omega} \in L^{\frac{2-q}{2-\gamma}\gamma}(\Omega)$, this implies that $w_{q,\Omega} < +\infty$ almost everywhere in Ω . We take $u \in C_0^\infty(\Omega)$, then by Hölder's inequality and Lemma 4.1 we have

$$\begin{aligned} \int_{\Omega} |\varphi|^\gamma dx &= \int_{\Omega} \frac{|\varphi|^\gamma}{w_{q,\Omega}^{\frac{\gamma}{2}(2-q)}} w_{q,\Omega}^{(2-q)\frac{\gamma}{2}} dx \leq \left(\int_{\Omega} \frac{\varphi^2}{w_{q,\Omega}^{2-q}} dx \right)^{\frac{\gamma}{2}} \left(\int_{\Omega} w_{q,\Omega}^{\frac{2-q}{2-\gamma}\gamma} dx \right)^{\frac{2-\gamma}{2}} \\ &\leq \left(\int_{\Omega} |\nabla \varphi|^2 dx \right)^{\frac{\gamma}{2}} \left(\int_{\Omega} w_{q,\Omega}^{\frac{2-q}{2-\gamma}\gamma} dx \right)^{\frac{2-\gamma}{2}}. \end{aligned}$$

We conclude by density of $C_0^\infty(\Omega)$ in $\mathcal{D}_0^{1,2}(\Omega)$ that the embedding $\mathcal{D}_0^{1,2}(\Omega) \hookrightarrow L^\gamma(\Omega)$ is continuous. Moreover, we also obtain the lower bound in (4.1). \square

The following result generalizes [3, Theorem 1.3] and [4, Theorem 9], by allowing any Lane-Emden densities in place of the torsion function.

³Observe that $\beta \geq 1$ thanks to the fact that $q \leq \gamma < 2$.

Proposition 4.3. *Let $1 \leq q < 2$ and let $\Omega \subset \mathbb{R}^N$ be an open set. Then we have that*

$$\lambda_1(\Omega) > 0 \iff w_{q,\Omega} \in L^\infty(\Omega).$$

Moreover, we have that

$$(4.2) \quad \lambda_1(\Omega)^{\frac{1}{q-2}} \leq \|w_{q,\Omega}\|_{L^\infty(\Omega)} \leq \left(2^N \mathcal{C}^2 \left(\left(2\mathcal{C}\right)^{2-q} + 4\right)\right)^{\frac{1}{2-q}} \lambda_1(\Omega)^{\frac{1}{q-2}},$$

where \mathcal{C} is the same constant appearing in (A.1).

Proof. We suppose that $w_{q,\Omega} \in L^\infty(\Omega)$. This in particular implies that $w_{q,\Omega} < +\infty$ almost everywhere in Ω . Then for any $\varphi \in C_0^\infty(\Omega)$ we have that

$$\begin{aligned} \int_{\Omega} \varphi^2 dx &= \int_{\Omega} \frac{\varphi^2}{w_{q,\Omega}^{2-q}} w_{q,\Omega}^{2-q} dx \\ &\leq \left(\int_{\Omega} \frac{\varphi^2}{w_{q,\Omega}^{2-q}} dx \right) \|w_{q,\Omega}\|_{L^\infty(\Omega)}^{2-q} \leq \|w_{q,\Omega}\|_{L^\infty(\Omega)}^{2-q} \int_{\Omega} |\nabla \varphi|^2 dx, \end{aligned}$$

the last inequality being due to Lemma 4.1. This shows that

$$w_{q,\Omega} \in L^\infty(\Omega) \quad \text{for } 1 \leq q < 2 \quad \implies \quad \lambda_1(\Omega) > 0,$$

together with the lower bound in (4.2).

The converse implication is more involved and we adapt the proof of [4, Theorem 9], which deals with the case $q = 1$. Without loss of generality we can suppose Ω to be bounded and smooth; indeed, the general case can be then covered by considering a family of smooth bounded sets approaching Ω from inside.

For ease of notation we set $w := w_{q,\Omega}$ and we suppose that $w(0) = \|w\|_{L^\infty(\Omega)}$. This can be done up to translating Ω . Moreover we can extend w to 0 outside Ω . Since $\partial\Omega$ is regular, we get by means of Hopf's Lemma that the extended function, which we still denote by w , satisfies

$$(4.3) \quad -\Delta w \leq w^{q-1},$$

in the weak sense. Let $R > 0$ to be fixed, and let ζ be a cut-off Lipschitz function such that

$$0 \leq \zeta \leq 1, \quad \zeta = 1 \text{ in } B_R(0), \quad \zeta = 0 \text{ in } \mathbb{R}^N \setminus B_{2R}(0), \quad |\nabla \zeta| \leq \frac{1}{R}.$$

From the variational characterization of $\lambda_1(\Omega)$, we have

$$(4.4) \quad \lambda_1(\Omega) \leq \frac{\int_{\Omega} |\nabla(w\zeta)|^2 dx}{\int_{\Omega} (w\zeta)^2 dx} = \frac{\int_{\Omega} \left(|\nabla w|^2 \zeta^2 + |\nabla \zeta|^2 w^2 + 2w\zeta \langle \nabla \zeta, \nabla w \rangle \right) dx}{\int_{\Omega} w^2 \zeta^2 dx}.$$

By using the positive test function $w\zeta^2$ into the weak formulation of (4.3), we get that

$$\int_{\Omega} \langle \nabla w, \nabla(w\zeta^2) \rangle dx = \int_{\Omega} |\nabla w|^2 \zeta^2 dx + 2 \int_{\Omega} w\zeta \langle \nabla w, \nabla \zeta \rangle dx \leq \int_{\Omega} w^q \zeta^2 dx,$$

that is

$$2 \int_{\Omega} w\zeta \langle \nabla w, \nabla \zeta \rangle dx \leq \int_{\Omega} w^q \zeta^2 dx + \int_{\Omega} |\nabla w|^2 \zeta^2 dx.$$

Thus, by recalling that w attains its maximum in 0 and using the properties of ζ , from (4.4) we obtain that

$$(4.5) \quad \lambda_1(\Omega) \leq \frac{\int_{\Omega} (|\nabla\zeta|^2 w^2 + w^q \zeta^2) dx}{\int_{\Omega} w^2 \zeta^2 dx} \leq 2^N \omega_N \frac{w(0)^2 R^{N-2} + w(0)^q R^N}{\int_{B_R(0)} w^2 dx}.$$

We use now the local $L^\infty - L^2$ estimate of Lemma A.1 to handle the denominator. Indeed, by (A.1) with $\alpha = 2$ we have that

$$\int_{B_R(0)} w^2 dx \geq \omega_N R^N \left(\frac{1}{C} w(0) - \left(\frac{R}{2} \right)^{\frac{2}{2-q}} \right)^2.$$

By spending this information in (4.5), we end up with

$$\lambda_1(\Omega) \leq 2^N \frac{R^{-2} w(0)^2 + w(0)^q}{\left(\frac{1}{C} w(0) - \left(\frac{R}{2} \right)^{\frac{2}{2-q}} \right)^2}.$$

By choosing

$$R = 2 \left(\frac{w(0)}{2C} \right)^{(2-q)/2},$$

we obtain the inequality

$$\lambda_1(\Omega) \leq 2^N \frac{4C^2}{w(0)^{2-q}} \left(\frac{1}{4} (2C)^{2-q} + 1 \right),$$

and thus

$$w(0) \leq \left(2^{N+2} C^2 \left(\frac{1}{4} (2C)^{2-q} + 1 \right) \right)^{\frac{1}{2-q}} \lambda_1(\Omega)^{\frac{1}{q-2}}.$$

This concludes the proof. \square

Remark 4.4 (Super-homogeneous embeddings). A closer inspection of the proof reveals that with exactly the same argument we can prove the following stronger statement: for every $1 \leq q < 2$ and $2 \leq \gamma < 2^*$, we have that

$$(4.6) \quad \lambda_{2,\gamma}(\Omega) > 0 \iff w_{q,\Omega} \in L^\infty(\Omega),$$

where

$$2^* = \frac{2N}{N-2}, \quad \text{for } N \geq 3 \quad \text{and} \quad 2^* = +\infty, \quad \text{for } N = 1, 2.$$

Observe that (4.6) implies in particular that

$$(4.7) \quad \mathcal{D}_0^{1,2}(\Omega) \hookrightarrow L^2(\Omega) \iff \mathcal{D}_0^{1,2}(\Omega) \hookrightarrow L^\gamma(\Omega), \quad \text{for } 2 < \gamma < 2^*.$$

For the implication \implies , it is sufficient to reproduce the proof above, using the variational characterization of $\lambda_{2,\gamma}(\Omega)$ and the L^∞ estimate (A.1), this time with $\alpha = \gamma$.

For the converse implication, it is sufficient to use the Gagliardo-Nirenberg interpolation inequality (see for example [3, Proposition 2.6])

$$\left(\int_{\mathbb{R}^N} |u|^\gamma dx \right)^{\frac{1}{\gamma}} \leq C \left(\int_{\mathbb{R}^N} |u|^2 dx \right)^{\frac{1-\vartheta}{2}} \left(\int_{\mathbb{R}^N} |\nabla u|^2 dx \right)^{\frac{\vartheta}{2}},$$

where $C = C(N, \gamma) > 0$ and

$$\vartheta = \left(1 - \frac{2}{\gamma}\right) \frac{N}{2}, \quad 2 < \gamma < 2^*.$$

This shows that if $\mathcal{D}_0^{1,2}(\Omega) \hookrightarrow L^2(\Omega)$ is continuous, then $\mathcal{D}_0^{1,2}(\Omega) \hookrightarrow L^\gamma(\Omega)$ is continuous as well. We leave the details to the interested reader.

We point out that the equivalence (4.7) can also be found in [13, Theorem 15.4.1]. The proof there is different.

We conclude this section with the following simple result which we record for completeness.

Proposition 4.5. *Let $1 \leq q < 2$ and let $\Omega \subset \mathbb{R}^N$ be an open set such that the embedding $\mathcal{D}_0^{1,2}(\Omega) \hookrightarrow L^q(\Omega)$ is continuous. Then the embedding $\mathcal{D}_0^{1,2}(\Omega) \hookrightarrow L^2(\Omega)$ is compact.*

Proof. We already know by Theorem 4.2 that the continuity of the embedding $\mathcal{D}_0^{1,2}(\Omega) \hookrightarrow L^q(\Omega)$ is equivalent to its compactness. Then it is sufficient to use the Gagliardo-Nirenberg inequality

$$\left(\int_{\mathbb{R}^N} |u|^2 dx\right)^{\frac{1}{2}} \leq C \left(\int_{\mathbb{R}^N} |u|^q dx\right)^{\frac{1-\vartheta}{q}} \left(\int_{\mathbb{R}^N} |\nabla u|^2 dx\right)^{\frac{\vartheta}{2}},$$

where $C = C(N, q) > 0$ and

$$\vartheta = \left(1 - \frac{q}{2}\right) \frac{2N}{(2-q)N + 2q}.$$

This guarantess that every bounded sequence $\{u_n\}_{n \in \mathbb{N}} \subset \mathcal{D}_0^{1,2}(\Omega)$ strongly converging in $L^q(\Omega)$, strongly converges in $L^2(\Omega)$ as well. This gives the desired conclusion. \square

Remark 4.6. The converse implication of the previous proposition does not hold. Indeed, let $\{r_i\}_{i \in \mathbb{N}} \subset \mathbb{R}$ be a sequence of strictly positive numbers, such that

$$\lim_{i \rightarrow \infty} r_i = 0 \quad \text{and} \quad \sum_{i=0}^{\infty} r_i^{\frac{2}{2-\gamma} + N} = +\infty, \quad \text{for every } 1 \leq \gamma < 2.$$

For example, one could take $r_i = 1/\log(2+i)$. We then define the sequence of points $\{x_i\}_{i \in \mathbb{N}} \subset \mathbb{R}^N$ by

$$\begin{cases} x_0 &= (0, \dots, 0), \\ x_{i+1} &= (r_i + r_{i+1}, 0, \dots, 0) + x_i, \end{cases}$$

and the disjoint union of balls

$$\Omega = \bigcup_{i=0}^{\infty} B_{r_i}(x_i).$$

Thanks to the choice of the radii r_i we have

$$w_\Omega \in L^\infty(\Omega) \quad \text{and} \quad \begin{array}{l} \text{for every } \varepsilon > 0, \text{ there exists } R > 0 \\ \text{such that } \|w_\Omega\|_{L^\infty(\Omega \setminus B_R)} < \varepsilon, \end{array}$$

thus the embedding $\mathcal{D}_0^{1,2}(\Omega) \hookrightarrow L^2(\Omega)$ is compact, see [3, Theorem 1.3].

On the other hand, $w_\Omega \notin L^\gamma(\Omega)$, for every $\gamma \in [1, +\infty)$ (see [3, Example 5.2]). Thus, by Theorem 4.2, $\mathcal{D}_0^{1,2}(\Omega)$ is not continuously embedded in any $L^\gamma(\Omega)$, with $1 \leq \gamma < 2$.

5. HARDY-LANE-EMDEN INEQUALITIES FOR SETS WITH POSITIVE SPECTRUM

We want to generalize Theorem 3.1 and prove that the Hardy-Lane-Emden inequality (3.1) holds true on any open set $\Omega \subset \mathbb{R}^N$ with positive spectrum, i.e. such that the constant $\lambda_1(\Omega)$ defined in (1.7) is positive.

We need an expedient result which has some interest by itself.

Proposition 5.1. *Let $1 \leq q < 2$ and let $\Omega \subset \mathbb{R}^N$ be an open set with positive spectrum. Then $\nabla w_{q,\Omega} \in L^2_{\text{loc}}(\Omega)$ and $w_{q,\Omega}$ is a local weak solution of the Lane-Emden equation*

$$(5.1) \quad -\Delta w_{q,\Omega} = w_{q,\Omega}^{q-1},$$

i.e. we have

$$\int_{\Omega} \langle \nabla w_{q,\Omega}, \varphi \rangle dx = \int_{\Omega} w_{q,\Omega}^{q-1} \varphi dx, \quad \text{for every } \varphi \in \mathcal{D}_0^{1,2}(\Omega') \text{ and } \Omega' \Subset \Omega.$$

Proof. Let w_R be the Lane-Emden function of $\Omega \cap B_R(0)$ and let $\Omega' \Subset \Omega$. We aim to show that there exists a constant $C > 0$ such that

$$(5.2) \quad \int_{\Omega'} |\nabla w_R|^2 dx \leq C, \quad \text{for every } R > 0.$$

Indeed, this entails that ∇w_R weakly converge in $L^2(\Omega')$ to a vector field $Z \in L^2(\Omega')$. The assumption $\lambda_1(\Omega) > 0$ implies by Proposition 4.3 that $w_{q,\Omega} \in L^\infty(\Omega)$. Then by recalling that $0 \leq w_R \leq w_{q,\Omega}$, it is not difficult to see that Z must coincide with the distributional gradient $\nabla w_{q,\Omega}$ (see for example [3, Proposition 3.6]).

In particular, for every $\varphi \in C_0^\infty(\Omega')$ the identity

$$\int_{\Omega} \langle \nabla w_R, \nabla \varphi \rangle dx = \int_{\Omega} w_R^{q-1} \varphi dx$$

passes to the limit and we are done. The fact that we can allow test functions $\varphi \in \mathcal{D}_0^{1,2}(\Omega')$ follows by density.

Thus we are left to show that (5.2) holds true. Let $\Omega' \Subset \Omega'' \Subset \Omega$ and take $\eta \in C_0^\infty(\Omega'')$ a standard cut-off function, with $\eta = 1$ on Ω' and $|\nabla \eta| \leq C/\text{dist}(\Omega', \Omega'')$. Then, for $R > 0$ large enough, we test the Lane-Emden equation satisfied by w_R with $\varphi = w_R \eta^2$, so to get

$$\begin{aligned} \int_{\Omega} |\nabla w_R|^2 \eta^2 dx &= \int_{\Omega} \eta^2 w_R^q dx - 2 \int_{\Omega} w_R \eta \langle \nabla w_R, \nabla \eta \rangle dx \\ &\leq \int_{\Omega} \eta^2 w_R^q dx + \frac{1}{2} \int_{\Omega} |\nabla w_R|^2 \eta^2 dx + 2 \int_{\Omega} |\nabla \eta|^2 w_R^2 dx. \end{aligned}$$

Since by construction we have $w_R \leq w_{q,\Omega}$, we deduce that

$$\int_{\Omega'} |\nabla w_R|^2 dx \leq 2 \int_{\Omega''} w_{q,\Omega}^q dx + \frac{4C}{\text{dist}(\partial\Omega', \partial\Omega'')} \int_{\Omega''} w_{q,\Omega}^2 dx.$$

By recalling that $w_{q,\Omega} \in L^\infty(\Omega)$, we get (5.2) from the previous estimate. \square

Theorem 5.2. *Let $1 \leq q < 2$ and let $\Omega \subset \mathbb{R}^N$ be an open set with positive spectrum. Then for every $u \in C_0^\infty(\Omega)$ and $\delta > 0$ we still have (3.1).*

Proof. Let $\Omega' \Subset \Omega$ and $\varphi \in C_0^\infty(\Omega')$. Since $w_\Omega \in H^1(\Omega')$ by the previous result, we can use $\varphi^2/(w_\Omega + \varepsilon)$ as a test function in (5.1). Then we can repeat word by word the proof of Theorem 3.1 to show that (3.1) holds for any $u \in C_0^\infty(\Omega')$. The conclusion then follows by arbitrariness of $\Omega' \Subset \Omega$. \square

6. LOWER BOUNDS FOR THE GROUND STATE ENERGY

For a negative potential $V \in L_{\text{loc}}^2(\Omega)$, we go back to our initial task and consider the operator $\mathcal{H}_{\Omega,V} = -\Delta + V$. We already observed that $\mathcal{H}_{\Omega,V}$ is symmetric and self-adjoint, with domain $\mathfrak{D}(\mathcal{H}_{\Omega,V})$ defined in (1.3). We recall the notation from the Introduction

$$\mathcal{Q}_{\Omega,V}(\varphi) = \int_{\Omega} |\nabla \varphi|^2 dx + \int_{\Omega} V \varphi^2 dx, \quad \varphi \in \mathfrak{D}(\mathcal{H}_{\Omega,V}),$$

and we set

$$\lambda_1(\Omega; V) = \inf_{u \in C_0^\infty(\Omega)} \left\{ \mathcal{Q}_{\Omega,V}(\varphi) : \int_{\Omega} \varphi^2 dx = 1 \right\}.$$

We need the following expedient result which asserts that under suitable assumptions on the potential V , the infimum in the definition of $\lambda_1(\Omega; V)$ can be equivalently taken upon $\mathcal{D}_0^{1,2}(\Omega)$.

Lemma 6.1. *Let $\Omega \subset \mathbb{R}^N$ be an open set with positive spectrum, and let $V \in L_{\text{loc}}^2(\Omega)$ be a negative potential. We further suppose that there exists a constant $C > 0$ such that⁴*

$$(6.1) \quad \int_{\Omega} |V| \varphi^2 dx \leq C \int_{\Omega} |\nabla \varphi|^2 dx, \quad \text{for every } \varphi \in C_0^\infty(\Omega).$$

Then

$$\lambda_1(\Omega; V) = \inf_{\varphi \in \mathcal{D}_0^{1,2}(\Omega)} \left\{ \mathcal{Q}_{\Omega,V}(\varphi) : \int_{\Omega} \varphi^2 dx = 1 \right\}$$

Proof. Since $C_0^\infty(\Omega) \subset \mathcal{D}_0^{1,2}(\Omega)$, it is straightforward to see that

$$\lambda_1(\Omega; V) \geq \inf_{\varphi \in \mathcal{D}_0^{1,2}(\Omega)} \left\{ \mathcal{Q}_{\Omega,V}(\varphi) : \int_{\Omega} \varphi^2 dx = 1 \right\}.$$

In order to prove the reverse inequality, we take $\varphi \in \mathcal{D}_0^{1,2}(\Omega)$ with unit L^2 norm and a sequence $\{\varphi_n\}_{n \in \mathbb{N}} \subset C_0^\infty(\Omega)$ converging to φ in $\mathcal{D}_0^{1,2}(\Omega)$. Observe that since $\lambda_1(\Omega) > 0$, this in particular implies that $\{\varphi_n\}_{n \in \mathbb{N}}$ converges strongly in $L^2(\Omega)$ as well. From the definition of $\lambda_1(\Omega; V)$, we obtain that

$$\lambda_1(\Omega; V) \leq \frac{\int_{\Omega} |\nabla \varphi_n|^2 dx + \int_{\Omega} V \varphi_n^2 dx}{\int_{\Omega} |\varphi_n|^2 dx}, \quad \text{for every } n \in \mathbb{N}.$$

We observe that

$$\lim_{n \rightarrow \infty} \int_{\Omega} |\nabla \varphi_n|^2 dx = \int_{\Omega} |\nabla \varphi|^2 dx \quad \text{and} \quad \lim_{n \rightarrow \infty} \int_{\Omega} |\varphi_n|^2 dx = 1.$$

⁴This is equivalent to require that for every $\varphi \in C_0^\infty(\Omega)$, the $L_{\text{loc}}^1(\Omega)$ function $|V| \varphi$ belongs to the topological dual $\mathcal{D}^{-1,2}(\Omega)$ of $\mathcal{D}_0^{1,2}(\Omega)$, with

$$\left\| |V| \varphi \right\|_{\mathcal{D}^{-1,2}(\Omega)} \leq C \|\varphi\|_{\mathcal{D}_0^{1,2}(\Omega)}.$$

In order to handle the terms containing V , we first observe that by Fatou's Lemma and density of $C_0^\infty(\Omega)$ in $\mathcal{D}_0^{1,2}(\Omega)$, inequality (6.1) extends to the whole $\mathcal{D}_0^{1,2}(\Omega)$. Then we use that

$$\begin{aligned} \left| \int_{\Omega} V \varphi_n^2 dx - \int_{\Omega} V \varphi^2 dx \right| &\leq \left(\int_{\Omega} |V| (\varphi_n - \varphi)^2 dx \right)^{\frac{1}{2}} \left(\int_{\Omega} |V| (\varphi_n + \varphi)^2 dx \right)^{\frac{1}{2}} \\ &\leq C \left(\int_{\Omega} |\nabla \varphi_n - \nabla \varphi|^2 dx \right)^{\frac{1}{2}} \\ &\quad \times \left[\left(\int_{\Omega} |\nabla \varphi_n|^2 dx \right)^{\frac{1}{2}} + \left(\int_{\Omega} |\nabla \varphi|^2 dx \right)^{\frac{1}{2}} \right], \end{aligned}$$

thanks to Hölder and Minkowski inequalities, together with the hypothesis on V . If we use the convergence in $\mathcal{D}_0^{1,2}(\Omega)$, we obtain that

$$\lim_{n \rightarrow \infty} \int_{\Omega} V |\varphi_n|^2 dx = \int_{\Omega} V |\varphi|^2 dx,$$

which gives the desired conclusion. \square

The following is the main result of the paper.

Theorem 6.2. *Let $\Omega \subset \mathbb{R}^N$ be an open set with positive spectrum and let $V \in L_{\text{loc}}^2(\Omega)$. For an exponent $1 \leq q < 2$, we suppose that*

$$(6.2) \quad 0 \geq V \geq -\frac{1}{4} \left| \frac{\nabla w_{q,\Omega}}{w_{q,\Omega}} \right|^2, \quad \text{a. e. in } \Omega.$$

Then the spectrum $\sigma(\mathcal{H}_{\Omega,V})$ of $\mathcal{H}_{\Omega,V}$ is positive and we have

$$\inf \sigma(\mathcal{H}_{\Omega,V}) = \lambda_1(\Omega; V) \geq \frac{1}{2} \|w_{q,\Omega}\|_{L^\infty(\Omega)}^{q-2}.$$

Proof. We prove separately that

$$\lambda_1(\Omega; V) \geq \frac{1}{2} \|w_{q,\Omega}\|_{L^\infty(\Omega)}^{q-2} \quad \text{and} \quad \inf \sigma(\mathcal{H}_{\Omega,V}) = \lambda_1(\Omega; V).$$

We first observe that assuming $\lambda_1(\Omega) > 0$ implies the Hardy-Lane-Emden inequality

$$(6.3) \quad \frac{1}{4} \int_{\Omega} \left| \frac{\nabla w_{q,\Omega}}{w_{q,\Omega}} \right|^2 \varphi^2 dx + \frac{1}{2} \int_{\Omega} \frac{\varphi^2}{w_{q,\Omega}^{2-q}} dx \leq \int_{\Omega} |\nabla \varphi|^2 dx, \quad \text{for } u \in C_0^\infty(\Omega).$$

Indeed, this follows from Theorem 5.2 with $\delta = 2$. Thanks to hypothesis (6.2), we thus obtain

$$\frac{1}{2} \int_{\Omega} \frac{\varphi^2}{w_{q,\Omega}^{2-q}} dx \leq \int_{\Omega} |\nabla \varphi|^2 dx + \int_{\Omega} V \varphi^2 dx, \quad \text{for } \varphi \in C_0^\infty(\Omega).$$

Also observe that $w_{q,\Omega} \in L^\infty(\Omega)$, thanks to Proposition 4.3. In particular, we get the following lower bound for the quadratic form

$$\mathcal{Q}_{\Omega,V}(\varphi) \geq \frac{1}{2 \|w_{q,\Omega}\|_{L^\infty(\Omega)}^{2-q}}, \quad \text{for every } \varphi \in C_0^\infty(\Omega) \text{ with } \int_{\Omega} \varphi^2 dx = 1.$$

By arbitrariness of φ , this gives the lower bound on $\lambda_1(\Omega; V)$.

We now prove that

$$\inf \sigma(\mathcal{H}_{\Omega,V}) = \lambda_1(\Omega; V).$$

To see this, we first observe that by self-adjointness (see [16, Theorem 2.20]) we have that

$$\inf \sigma(\mathcal{H}_{\Omega,V}) = \inf_{\varphi \in \mathfrak{D}(\mathcal{H}_{\Omega,V})} \left\{ \mathcal{Q}_{\Omega,V}(\varphi) : \int_{\Omega} \varphi^2 dx = 1 \right\}.$$

By recalling that $C_0^\infty(\Omega) \subset \mathfrak{D}(\mathcal{H}_{\Omega,V})$, this immediately gives

$$\inf \sigma(\mathcal{H}_{\Omega,V}) \leq \inf_{\varphi \in C_0^\infty(\Omega)} \left\{ \mathcal{Q}_{\Omega,V}(\varphi) : \int_{\Omega} \varphi^2 dx = 1 \right\} = \lambda_1(\Omega; V).$$

In order to prove the reverse inequality, we make use of Lemma 6.1. For this, we need to prove that our potentials V satisfy (6.1). But this easily follows from (6.3) and (6.2), which gives that

$$\int_{\Omega} |V| \varphi^2 dx \leq \int_{\Omega} |\nabla \varphi|^2 dx, \quad \text{for every } \varphi \in C_0^\infty(\Omega).$$

We can thus apply Lemma 6.1 and obtain that

$$\begin{aligned} \lambda_1(\Omega; V) &= \inf_{\varphi \in \mathcal{D}_0^{1,2}(\Omega)} \left\{ \mathcal{Q}_{\Omega,V}(\varphi) : \int_{\Omega} \varphi^2 dx = 1 \right\} \\ &\leq \inf_{\varphi \in \mathfrak{D}(\mathcal{H}_{\Omega,V})} \left\{ \mathcal{Q}_{\Omega,V}(\varphi) : \int_{\Omega} \varphi^2 dx = 1 \right\} = \inf \sigma(\mathcal{H}_{\Omega,V}), \end{aligned}$$

where we also used that $\mathfrak{D}(\mathcal{H}_{\Omega,V}) \subset H_0^1(\Omega) = \mathcal{D}_0^{1,2}(\Omega)$, see Remark 2.1. This concludes the proof. \square

By using the L^∞ estimate of Proposition 4.3, we also get the following explicit lower bound on $\lambda_1(\Omega; V)$, in terms of a dimensional constant and $\lambda_1(\Omega)$.

Corollary 6.3. *Under the assumptions of Theorem 6.2, we also have*

$$\inf \sigma(\mathcal{H}_{\Omega,V}) = \lambda_1(\Omega; V) \geq \frac{1}{2} \frac{1}{2^N \mathcal{C}^2 \left((2\mathcal{C})^{2-q} + 4 \right)} \lambda_1(\Omega),$$

where $\mathcal{C} > 0$ is the same constant appearing in (A.1).

Remark 6.4 (The choice of δ). The result of Theorem 6.2 follows by choosing $\delta = 2$ in (3.1). One may wonder why we limited ourselves to this choice only. In order to clarify this point, we start by rewriting (3.1) as

$$\frac{1}{\delta} \int_{\Omega} \frac{|u|^2}{w_{q,\Omega}^{2-q}} dx \leq \int_{\Omega} |\nabla u|^2 dx + \frac{1}{\delta} \left(\frac{1}{\delta} - 1 \right) \int_{\Omega} \left| \frac{\nabla w_{q,\Omega}}{w_{q,\Omega}} \right|^2 |u|^2 dx.$$

This implies that for every potential V such that

$$(6.4) \quad V \geq \frac{1}{\delta} \left(\frac{1}{\delta} - 1 \right) \left| \frac{\nabla w_{q,\Omega}}{w_{q,\Omega}} \right|^2, \quad \text{a. e. in } \Omega,$$

we have that

$$\frac{1}{\delta} \int_{\Omega} \frac{|u|^2}{w_{q,\Omega}^{2-q}} dx \leq \int_{\Omega} |\nabla u|^2 dx + \int_{\Omega} V |u|^2 dx.$$

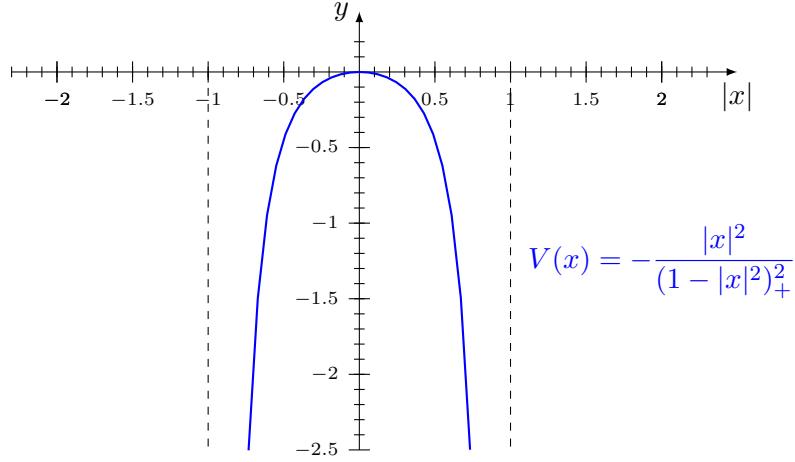


FIGURE 1. The limit potential in a ball of radius 1.

In particular, we get the following lower bound

$$\lambda_1(\Omega; V) \geq \frac{1}{\delta \|w_{q,\Omega}\|_{L^\infty(\Omega)}^{2-q}}.$$

Observe that the right-hand side in (6.4) is pointwise minimal when $\delta = 2$. This explains our choice.

7. APPLICATIONS

In this section, we compute the limit potential appearing in (6.4) in some particular cases and give the relevant lower bound on $\lambda_1(\Omega; V)$. In the following examples we take $q = 1$, i.e. we use the torsion function.

7.1. N -dimensional ball. Let us take $\Omega = B_1(0) \subset \mathbb{R}^N$, then

$$w_\Omega(x) = \frac{1 - |x|^2}{2N}, \quad x \in B_1(0),$$

and thus

$$-\frac{1}{4} \left| \frac{\nabla w_\Omega}{w_\Omega} \right|^2 = -\frac{|x|^2}{(1 - |x|^2)^2}.$$

Thus for every $V \in L_{\text{loc}}^2(\Omega)$ such that

$$0 \geq V \geq -\frac{|x|^2}{(1 - |x|^2)^2},$$

we get

$$\lambda_1(\Omega; V) \geq \frac{1}{2 \|w_\Omega\|_{L^\infty(\Omega)}} = N.$$

7.2. An infinite slab. In this subsection, we consider the set $\Omega = (-1, 1) \times \mathbb{R}^{N-1}$. We first need to compute its torsion function. This is the content of the next

Lemma 7.1. *Let $\Omega = (-1, 1) \times \mathbb{R}^{N-1} \subset \mathbb{R}^N$. Then its torsion function is given by*

$$w_\Omega(x_1, x') = \frac{1 - x_1^2}{2}, \quad (x_1, x') \in (-1, 1) \times \mathbb{R}^{N-1}.$$

Proof. We set

$$Q_R = (-1, 1) \times (-R, R)^{N-1},$$

then we notice that

$$w_\Omega = \lim_{R \rightarrow +\infty} w_{Q_R}.$$

That is, we can approximate Ω by the sets Q_R and not only by $\Omega \cap B_R(0)$, in order to construct w_Ω . This follows since

$$w_\Omega = \lim_{R \rightarrow +\infty} w_{\Omega \cap B_R(0)} = \lim_{R \rightarrow +\infty} w_{\Omega \cap B_{2R}(0)},$$

and the fact that by the maximum principle

$$w_{\Omega \cap B_R(0)} \leq w_{Q_R} \leq w_{\Omega \cap B_{2R}(0)},$$

for $R \gg 1$. Let

$$w(x, x') = \frac{1 - x_1^2}{2}, \quad (x_1, x') \in (-1, 1) \times \mathbb{R}^{N-1},$$

and notice that w is classical solution in Ω of $-\Delta w = 1$, vanishing on $\partial\Omega$.

Observe that $w \geq w_{Q_R}$ for any $R > 0$, thanks to the maximum principle. Thus

$$w \geq w_\Omega = \lim_{R \rightarrow +\infty} w_{Q_R}.$$

To get the other inequality, we observe that, again by the maximum principle, $w_{Q_R} \geq w_{\mathcal{E}_R}$. Here \mathcal{E}_R is the ellipsoid inscribed in Q_R , given by

$$\mathcal{E}_R = \left\{ (x_1, x') \in \mathbb{R}^N : x_1^2 + \frac{|x'|^2}{R^2} = 1 \right\},$$

and it is immediate to check that

$$w_{\mathcal{E}_R} = \frac{R^2}{R^2 + (N-1)} \frac{1 - x_1^2 - \frac{|x'|^2}{R^2}}{2}.$$

This gives

$$w_\Omega \geq \lim_{R \rightarrow +\infty} w_{\mathcal{E}_R} = w,$$

and thus the desired conclusion. □

Let us take $\Omega = (-1, 1) \times \mathbb{R}^{N-1}$, then

$$\frac{1}{4} \left| \frac{\nabla w_\Omega}{w_\Omega} \right|^2 = \frac{x_1^2}{(1 - x_1^2)^2},$$

extended by $+\infty$ outside Ω . Thus for every potential $V \in L^2_{\text{loc}}(\Omega)$ such that

$$0 \geq V(x_1, x') \geq -\frac{x_1^2}{(1 - x_1^2)^2},$$

we get

$$\lambda_1(\Omega; V) \geq \frac{1}{2 \|w_\Omega\|_{L^\infty(\Omega)}} = 1.$$

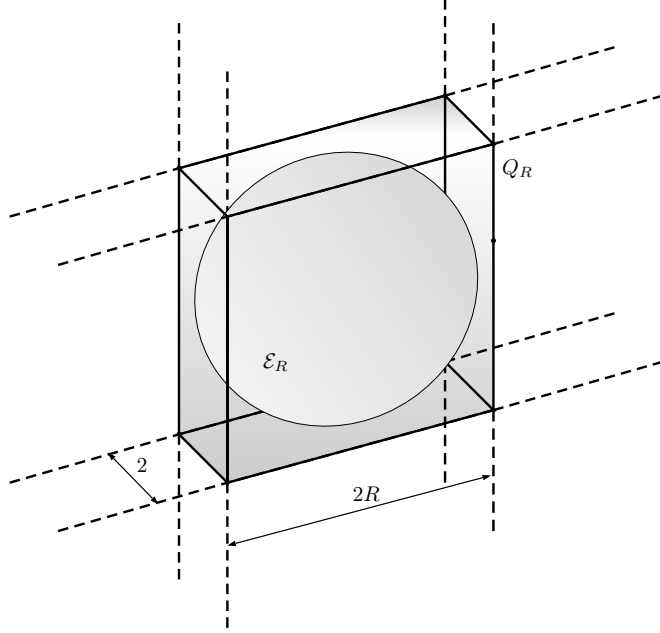


FIGURE 2. Approximating an infinite slab.

7.3. A rectilinear wave-guide. We now want to consider a set of the form $\Omega = \omega \times \mathbb{R}$, where $\omega \subset \mathbb{R}^{N-1}$ is an open bounded set with Lipschitz boundary. Again, we first identify its torsion function.

Lemma 7.2. *Let $\Omega = \omega \times \mathbb{R} \subset \mathbb{R}^N$. Then its torsion function is given by*

$$(7.1) \quad w_\Omega(x', x_N) = w_\omega(x'), \quad (x', x_N) \in \omega \times \mathbb{R}$$

where w_ω stands for the torsion function of ω in \mathbb{R}^{N-1} .

Proof. We divide the proof in four steps.

Step 1. In this step, we prove that

$$w_\Omega(x', x_N + \ell) = w_\Omega(x', x_N), \quad (x', x_N) \in \omega \times \mathbb{R},$$

i.e. the torsion function does not depend on the x_N variable.

To see this, let us suppose for simplicity that $\omega \subset (-R_0, R_0)^{N-1}$, and take $R \geq R_0$. We set $Q_R = \Omega \cap (-R, R)^N$ and $w_R = w_{Q_R}$. Then

$$(7.2) \quad w_\Omega(x', x_N + \ell) = \lim_{R \rightarrow +\infty} w_R(x', x_N + \ell).$$

We now observe that if we further set $Q_{R,\ell} = \Omega \cap ((-R, R)^{N-1} \times (-R-\ell, R-\ell))$ and $w_{R,\ell} = w_{Q_{R,\ell}}$ then by construction we have that

$$(7.3) \quad w_{R,\ell}(x', x_N) = w_R(x', x_N + \ell).$$

On the other hand, for every $R \geq \max\{\ell, R_0\}$ we have that $Q_{R-\ell} \subset Q_{R,\ell} \subset Q_{2R}$. Thus

$$(7.4) \quad \lim_{R \rightarrow +\infty} w_{R,\ell}(x', x_N) = w_\Omega(x', x_N).$$

Eventually, (7.2), (7.3) and (7.4) imply the claim.

Step 2. Here we prove that

$$w_\Omega \in H^1(\omega \times (-R_0, R_0)), \quad \text{for every } R_0 > 0,$$

which enforces the general result of Lemma 5.1.

We set as before $Q_R = \Omega \cap (-R, R)^N$ and call $w_R = w_{Q_R}$. We fix $R_0 > 0$ and consider $R > R_0 + 1$. We then take a one-dimensional cut-off function η supported on $[-R_0 - 1, R_0 + 1]$ such that

$$0 \leq \eta \leq 1, \quad \eta = 1 \text{ on } [-R_0, R_0], \quad \eta' \leq 1.$$

In the equation verified by w_R , we insert the test function

$$\varphi(x', x_N) = w_R(x', x_N) \eta^2(x_N).$$

After some standard manipulations, we get

$$\begin{aligned} \int_{\omega \times (-R_0-1, R_0+1)} |\nabla w_R|^2 \eta^2 dx &\leq C \int_{\omega \times (-R_0-1, R_0+1)} w_R \eta^2 dx \\ &\quad + C \int_{\omega \times (-R_0-1, R_0+1)} w_R^2 |\eta'|^2 dx. \end{aligned}$$

By recalling that $0 \leq w_R \leq w_\Omega$ and that $w_\Omega \in L^\infty(\Omega)$, from the previous argument we get

$$\int_{\omega \times (-R_0, R_0)} |\nabla w_R|^2 dx \leq C |\omega| R_0 \|w_\Omega\|_{L^\infty(\Omega)} \left(\|w_\Omega\|_{L^\infty(\Omega)} + 1 \right),$$

for every $R \gg 1$. This gives a uniform H^1 estimate on $\omega \times (-R_0, R_0)$ that we can take to the limit and obtain the desired Sobolev regularity of w_Ω .

Step 3. We now prove that for every $R_0 > 0$, the torsion function w_Ω solves the mixed boundary value problem

$$(7.5) \quad \begin{cases} -\Delta u &= 1, & \text{in } \omega \times (-R_0, R_0), \\ u &= 0, & \text{on } \partial\omega \times (-R_0, R_0), \\ u_{x_N} &= 0, & \text{on } \omega \times \{-R_0, R_0\}. \end{cases}$$

We first observe that w_Ω is a solution of the equation in $\omega \times (-R_0, R_0)$. Indeed, it is sufficient to pass to the limit in the equation satisfied by w_R and use the uniform H^1 estimate above.

As for the boundary conditions, we observe that the Neumann one follows since w_Ω does not depend on the x_N variable, by **Step 1**. The compactness of the trace operator

$$H^1(\omega \times (-R_0, R_0)) \hookrightarrow L^2(\partial(\omega \times (-R_0, R_0))),$$

and the uniform H^1 estimate of **Step 2** for w_R imply the Dirichlet condition on the lateral boundary.

Step 4. In order to conclude, it is sufficient to observe that w_Ω and w_ω both solve (7.5). Since the solution to the latter is unique, this gives the desired conclusion (7.1). \square

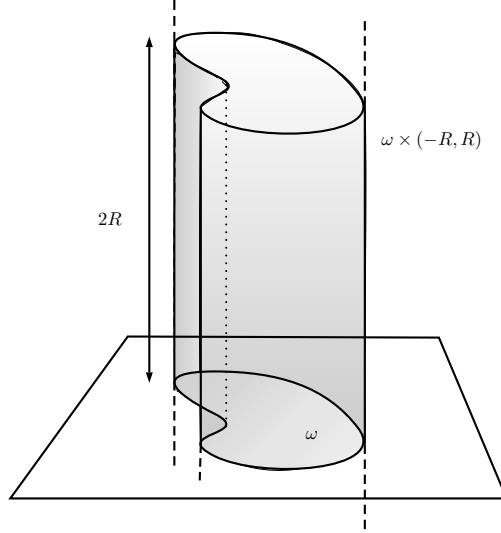


FIGURE 3. A rectilinear wave-guide.

When the cross-section $\omega \subset \mathbb{R}^{N-1}$ of the wave-guide as a particular geometry, we can explicitly compute w_Ω and thus the limit potential (6.2). For example, in the case that the cross-section is a $(N - 1)$ -dimensional ball, i.e. when

$$\Omega = \{x' \in \mathbb{R}^{N-1} : |x'| < 1\} \times \mathbb{R},$$

then by Lemma 7.2 we have that

$$w_\Omega(x', x_N) = \frac{1 - |x'|^2}{2(N - 1)}, \quad |x'| < 1,$$

and thus

$$\left| \frac{\nabla w_\Omega}{w_\Omega} \right|^2 = -\frac{|x'|^2}{(1 - |x'|^2)^2}.$$

As before, we get that for every $V \in L^2_{\text{loc}}(\Omega)$ such that

$$0 \geq V \geq -\frac{|x'|^2}{(1 - |x'|^2)^2},$$

it holds that

$$\lambda_1(\Omega; V) \geq \frac{1}{2\|w_\Omega\|_{L^\infty(\Omega)}} = N - 1.$$

APPENDIX A. A LOCAL L^∞ ESTIMATE FOR LANE-EMDEN DENSITIES

We recall that the volume of the unit ball in \mathbb{R}^N is given by

$$\omega_N = \frac{\pi^{N/2}}{\Gamma(N/2 + 1)},$$

where Γ is the usual Gamma function. For $N \geq 3$, we denote by

$$T_N = \sup_{u \in C_0^\infty(\mathbb{R}^N)} \left\{ \left(\int_{\mathbb{R}^N} |u|^{2^*} dx \right)^{\frac{2}{2^*}} : \|\nabla u\|_{L^2(\mathbb{R}^N)} = 1 \right\}.$$

the optimal constant in the Sobolev inequality for $\mathcal{D}_0^{1,2}(\mathbb{R}^N)$, i.e. the lowest number such that

$$\left(\int_{\mathbb{R}^N} |u|^{2^*} dx \right)^{\frac{2}{2^*}} \leq T_N \int_{\mathbb{R}^N} |\nabla u|^2 dx,$$

holds for any $u \in C_0^\infty(\mathbb{R}^N)$. We recall that this is given by (see [15])

$$T_N = \pi N (N - 2) \left(\frac{\Gamma(N/2)}{\Gamma(N)} \right)^{\frac{2}{N}}.$$

In Section 4, we needed a local L^∞ estimate for weak subsolutions of the Lane-Emden equation. The proof is standard routine in Elliptic Regularity Theory, our main concern is in the explicit expression of the constant \mathcal{C} appearing in the estimate. For this reason, we provide a detailed proof.

Lemma A.1. *Let $\lambda > 0$ and $1 \leq q < 2$. Let $u \in H_{\text{loc}}^1(\Omega) \cap L_{\text{loc}}^\infty(\Omega)$ be a positive function such that*

$$\int \langle \nabla u, \nabla \varphi \rangle dx \leq \lambda \int_{\Omega} u^{q-1} \varphi dx,$$

for every positive $\varphi \in \mathcal{D}_0^{1,2}(B)$ and every ball $B \Subset \Omega$. Then for every ball $B_{R_0} \Subset \Omega$ and every $\alpha \geq 2$ we have

$$(A.1) \quad \|u\|_{L^\infty(B_{R_0/2})} \leq \mathcal{C} \left[\left(\int_{B_{R_0}} u^\alpha dx \right)^{\frac{1}{\alpha}} + \left(\frac{\lambda}{4} \right)^{\frac{1}{2-q}} R_0^{\frac{2}{2-q}} \right],$$

where the constant $\mathcal{C} > 0$ is given by

$$\mathcal{C} = \begin{cases} \sqrt{\omega_N} \left(\frac{4N}{N-2} \right)^{\frac{N(N-2)}{8}} (640 T_N)^{\frac{N}{4}}, & \text{for } N \geq 3, \\ (2\gamma)^{\frac{\gamma}{\gamma-2}} \frac{1}{\gamma+2} \left(\frac{640}{\lambda_{2,\gamma}(B_1)} \right)^{\frac{\gamma}{2(\gamma-2)}}, & \text{for } N = 2, \\ 4\sqrt{10}, & \text{for } N = 1. \end{cases}$$

Here γ is any number larger than 2 and $\lambda_{2,\gamma}(B_1)$ is the Sobolev-Poincaré constant defined in (1.6).

Proof. We divide the proof in three cases, depending on the dimension N .

Case $N \geq 3$. We take $0 < r < R \leq 1$ and a pair of concentric balls $B_r \subset B_R \Subset \Omega$. We use as a test function

$$\varphi = \eta^2 (u + \delta)^\beta,$$

where $\delta > 0$, $\beta \geq 1$ and η is a standard cut-off function, supported on B_R and constantly 1 on B_r , such that

$$|\nabla \eta| \leq \frac{1}{R-r}.$$

With standard manipulations, we obtain that

$$\begin{aligned} \int \left| \nabla (u + \delta)^{\frac{\beta+1}{2}} \right|^2 \eta^2 dx &\leq \left(\frac{\beta+1}{\beta} \right)^2 \int |\nabla \eta|^2 (u + \delta)^{\beta+1} dx \\ &\quad + \lambda \frac{2}{\beta} \left(\frac{\beta+1}{2} \right)^2 \int \eta^2 (u + \delta)^{\beta+q-1} dx. \end{aligned}$$

We now observe that

$$(u + \delta)^{\beta+q-1} \leq (u + \delta)^{\beta+1} \delta^{q-2} \quad \text{and} \quad \left(\frac{\beta+1}{\beta} \right)^2 \leq \frac{4}{\beta} \left(\frac{\beta+1}{2} \right)^2,$$

thus we get that

$$\int \left| \nabla (u + \delta)^{\frac{\beta+1}{2}} \right|^2 \eta^2 dx \leq 4\beta \left[\frac{1}{(R-r)^2} + \lambda \delta^{q-2} \right] \int_{B_R} (u + \delta)^{\beta+1} dx,$$

for some universal $C > 0$. We add on both sides the term

$$\int |\nabla \eta|^2 (u + \delta)^{\beta+1} dx,$$

and we obtain that

$$\int \left| \nabla \left((u + \delta)^{\frac{\beta+1}{2}} \eta \right) \right|^2 dx \leq 10\beta \left[\frac{1}{(R-r)^2} + \lambda \delta^{q-2} \right] \int_{B_R} (u + \delta)^{\beta+1} dx.$$

We then use Sobolev inequality on the left-hand side, so as to obtain

$$(A.2) \quad \left(\int_{B_r} \left((u + \delta)^{\frac{\beta+1}{2}} \eta \right)^{2^*} dx \right)^{\frac{2}{2^*}} \leq 10 T_N \beta \left[\frac{1}{(R-r)^2} + \lambda \delta^{q-2} \right] \int_{B_R} (u + \delta)^{\beta+1} dx.$$

We now introduce the sequence of diverging exponents

$$\vartheta_i = \frac{\beta_i + 1}{2} = \left(\frac{2^*}{2} \right)^i, \quad i \in \mathbb{N},$$

and the sequence of shrinking radii

$$R_i = r_0 + \frac{R_0 - r_0}{2^i}, \quad i \in \mathbb{N}.$$

We get the iterative scheme

$$\begin{aligned} \left(\int_{B_{R_{i+1}}} (u + \delta)^{2\vartheta_{i+1}} dx \right)^{\frac{1}{2\vartheta_{i+1}}} &\leq \left(80 T_N \left[\frac{4^i}{(R_0 - r_0)^2} + \lambda \delta^{q-2} \right] \right)^{\frac{1}{2\vartheta_i}} (\vartheta_i)^{\frac{1}{2\vartheta_i}} \\ &\quad \times \left(\int_{B_{R_i}} (u + \delta)^{2\vartheta_i} dx \right)^{\frac{1}{2\vartheta_i}}. \end{aligned}$$

Before launching the Moser's iteration, it is time to declare our choice of $\delta > 0$: we take it to be

$$(A.3) \quad \delta = (\lambda (R_0 - r_0)^2)^{\frac{1}{2-q}}.$$

Thus we get that

$$\begin{aligned} \left(\int_{B_{R_{i+1}}} (u + \delta)^{2\vartheta_{i+1}} dx \right)^{\frac{1}{2\vartheta_{i+1}}} &\leq \left(\frac{160 T_N}{(R_0 - r_0)^2} \right)^{\frac{1}{2\vartheta_i}} (4^i \vartheta_i)^{\frac{1}{2\vartheta_i}} \\ &\quad \times \left(\int_{B_{R_i}} (u + \delta)^{2\vartheta_i} dx \right)^{\frac{1}{2\vartheta_i}}. \end{aligned}$$

We start from $i = 0$ and iterate infinitely many times. We end up with the estimate

$$\|u + \delta\|_{L^\infty(B_{r_0})} \leq C_N \frac{(640 T_N)^{\frac{N}{4}}}{(R_0 - r_0)^{\frac{N}{2}}} \left(\int_{B_{R_0}} (u + \delta)^2 dx \right)^{\frac{1}{2}},$$

with

$$C_N = \left(\frac{4N}{N-2} \right)^{\frac{N(N-2)}{8}}.$$

In particular, by taking $r_0 = R_0/2$, we obtain with simple manipulations that

$$\|u\|_{L^\infty(B_{R_0/2})} \leq \sqrt{\omega_N} C_N (640 T_N)^{\frac{N}{4}} \left[\left(\int_{B_{R_0}} u^2 dx \right)^{\frac{1}{2}} + \delta \right].$$

We now recall the definition (A.3) of δ , thus the previous estimate rewrites as

$$\begin{aligned} \|u\|_{L^\infty(B_{R_0/2})} &\leq \sqrt{\omega_N} C_N (160 T_N)^{\frac{N}{4}} \\ &\quad \times \left[\left(\int_{B_{R_0}} u^2 dx \right)^{\frac{1}{2}} + \left(\lambda \left(\frac{R_0}{2} \right)^2 \right)^{\frac{1}{2-q}} \right]. \end{aligned}$$

By Jensen's inequality, we can eventually replace the L^2 norm on the right-hand side by any L^α norm with $\alpha \geq 2$.

Case $N = 2$. The proof runs as before, the only difference is that we now use Sobolev-Poincaré inequality for the embedding $\mathcal{D}_0^{1,2}(B_R) \hookrightarrow L^\gamma(B_R)$, in place of Sobolev inequality. Here γ is any exponent larger than 2. Thus, in place of (A.2) we now get

$$\left(\int_{B_r} \left((u + \delta)^{\frac{\beta+1}{2}} \right)^\gamma dx \right)^{\frac{2}{\gamma}} \leq \frac{10\beta}{\lambda_{2,\gamma}(B_R)} \left[\frac{1}{(R-r)^2} + \lambda \delta^{q-2} \right] \int_{B_R} (u + \delta)^{\beta+1} dx.$$

We used the notation

$$\lambda_{2,\gamma}(B_R) = \min_{u \in \mathcal{D}_0^{1,2}(B_R)} \left\{ \int_{B_R} |\nabla \varphi|^2 dx : \|\varphi\|_{L^\gamma(B_R)} = 1 \right\}.$$

Accordingly, we modify the definition of the exponents ϑ_i as follows

$$\vartheta_i = \frac{\beta_i + 1}{2} = \left(\frac{\gamma}{2} \right)^i, \quad i \in \mathbb{N},$$

then we still take the sequence of shrinking radii

$$R_i = r_0 + \frac{R_0 - r_0}{2^i}, \quad i \in \mathbb{N}.$$

We get the iterative scheme

$$\begin{aligned} \left(\int_{B_{R_{i+1}}} (u + \delta)^{2\vartheta_{i+1}} dx \right)^{\frac{1}{2\vartheta_{i+1}}} &\leq \left(\frac{80}{\lambda_{2,\gamma}(B_{R_0})} \left[\frac{4^i}{(R_0 - r_0)^2} + \lambda \delta^{q-2} \right] \right)^{\frac{1}{2\vartheta_i}} (\vartheta_i)^{\frac{1}{2\vartheta_i}} \\ &\quad \times \left(\int_{B_{R_i}} (u + \delta)^{2\vartheta_i} dx \right)^{\frac{1}{2\vartheta_i}}, \end{aligned}$$

where we also used that

$$\lambda_{2,\gamma}(B_{R_i}) \geq \lambda_{2,\gamma}(B_{R_0}), \quad \text{for every } i \in \mathbb{N}.$$

We still take δ as in (A.3). After infinitely many iterations, we now get

$$\|u + \delta\|_{L^\infty(B_{r_0})} \leq C_\gamma \frac{\left(640 \lambda_{2,\gamma}(B_{R_0})^{-1}\right)^{\frac{\gamma}{2(\gamma-2)}}}{(R_0 - r_0)^{\frac{\gamma}{\gamma-2}}} \left(\int_{B_{R_0}} (u + \delta)^2 dx \right)^{\frac{1}{2}},$$

with

$$C_\gamma = (2\gamma)^{\frac{\gamma}{\gamma-2}} \frac{1}{\gamma+2}.$$

Finally, we observe that (recall that we are in dimension $N = 2$)

$$\lambda_{2,\gamma}(B_{R_0}) = R_0^{\frac{4}{\gamma}} \lambda_{2,\gamma}(B_1),$$

thus by taking $r_0 = R_0/2$ we obtain

$$\|u\|_{L^\infty(B_{R_0/2})} \leq C_\gamma \left(640 \lambda_{2,\gamma}(B_1)^{-1}\right)^{\frac{\gamma}{2(\gamma-2)}} \left(\int_{B_{R_0}} (u + \delta)^2 dx \right)^{\frac{1}{2}}.$$

By recalling the definition of δ , we get the conclusion.

Case $N = 1$. This is the simplest case. We take the test function

$$\varphi = \eta^2 (u + \delta),$$

where η is a standard cut-off function as above, associated with a pair of concentric intervals of width $2r_0 < 2R_0$. For simplicity, we suppose them to be centered at the origin. By proceeding as before, we arrive at

$$\int_{-R_0}^{R_0} |((u + \delta)\eta)'|^2 dx \leq 10 \left[\frac{1}{(R_0 - r_0)^2} + \lambda \delta^{q-2} \right] \int_{-R_0}^{R_0} (u + \delta)^2 dx.$$

We observe that by Sobolev embedding in dimension 1 we have that

$$\begin{aligned} \int_{-R_0}^{R_0} |((u + \delta)\eta)'|^2 dx &\geq \frac{1}{2R_0} \|(u + \delta)\eta\|_{L^\infty(-R_0, R_0)}^2 \\ &\geq \frac{1}{2R_0} \|u\|_{L^\infty(-r_0, r_0)}^2. \end{aligned}$$

We still make the choice (A.3) for δ , then we get that

$$\|u\|_{L^\infty(-r_0, r_0)} \leq \frac{2\sqrt{10} R_0}{R_0 - r_0} \left(\int_{-R_0}^{R_0} (u + \delta)^2 dx \right)^{\frac{1}{2}}.$$

By using Minkowski inequality and recalling the definition of δ , we conclude by taking $r_0 = R_0/2$. \square

REFERENCES

- [1] M. Belloni, B. Kawohl, A direct uniqueness proof for equations involving the p -Laplace operator, *Manuscripta Math.*, **109** (2002), 229–231. [7](#)
- [2] L. Brasco, G. Franzina, Convexity properties of Dirichlet integrals and Picone-type inequalities, *Kodai Math. J.*, **37** (2014), 769–799. [7](#)
- [3] L. Brasco, B. Ruffini, Compact Sobolev embeddings and torsion functions, to appear on *Ann. Inst. H. Poincaré Anal. Non Linéaire*, doi:10.1016/j.anihpc.2016.05.005 [5](#), [9](#), [11](#), [12](#), [14](#), [15](#), [16](#)
- [4] M. van den Berg, D. Bucur, On the torsion function with Robin or Dirichlet boundary conditions, *J. Funct. Anal.*, **266** (2014), 1647–1666. [12](#), [13](#)
- [5] M. van den Berg, T. Carroll, Hardy inequality and L^p estimates for the torsion function, *Bull. Lond. Math. Soc.*, **41** (2009), 980–986. [11](#)
- [6] H. Brezis, L. Oswald, Remarks on sublinear elliptic equations, *Nonlinear Anal.*, **10** (1986), 55–64. [6](#)
- [7] D. Bucur, G. Buttazzo, On the characterization of the compact embedding of Sobolev spaces, *Calc. Var. Partial Differential Equations*, **44** (2012), 455–475. [11](#)
- [8] D. Bucur, G. Buttazzo, B. Velichkov, Spectral optimization problems for potentials and measures, *Siam J. Math. Anal.*, **46** (2014), 2956–2986. [11](#)
- [9] J. Deny, J.-L. Lions, Les espaces du type de Beppo Levi, *Ann. Inst. Fourier*, **5** (1954), 305–370. [5](#)
- [10] B. Devyver, M. Fraas, Y. Pinchover, Optimal Hardy weight for second-order elliptic operator: an answer to a problem of Agmon, *J. Funct. Anal.*, **266** (2014), 4422–4489. [4](#)
- [11] G. Franzina, P. D. Lamberti, Existence and uniqueness for a p -Laplacian nonlinear eigenvalue problem, *Electron. J. Differential Equations*, **26** (2010), 10 pp. [7](#)
- [12] D. Lundholm, Geometric extensions of many-particle Hardy inequalities, *J. Phys. A*, **48** (2015), 175203, 25 pp. [10](#)
- [13] V. Maz’ya, Sobolev spaces, Sobolev spaces with applications to elliptic partial differential equations. Second, revised and augmented edition. *Grundlehren der Mathematischen Wissenschaften [Fundamental Principles of Mathematical Sciences]*, **342**. Springer, Heidelberg, 2011. [11](#), [15](#)
- [14] J. Moser, On Harnack’s Theorem for Elliptic Differential Equations, *Comm. Pure Appl. Math.*, **16** (1961), 577–591. [10](#)
- [15] G. Talenti, Best constant in Sobolev inequality, *Ann. Mat. Pura Appl.*, **110** (1976), 353–372. [25](#)
- [16] G. Teschl, *Mathematical methods in quantum mechanics. With applications to Schrödinger operators*. Second edition. *Graduate Studies in Mathematics*, **157**. American Mathematical Society, Providence, RI, 2014. [2](#), [19](#)

(L. Brasco) DIPARTIMENTO DI MATEMATICA E INFORMATICA
UNIVERSITÀ DEGLI STUDI DI FERRARA
VIA MACHIAVELLI 35, 44121 FERRARA, ITALY

and AIX MARSEILLE UNIV, CNRS, CENTRALE MARSEILLE, I2M, MARSEILLE, FRANCE
39 RUE FRÉDÉRIC JOLIOT CURIE, 13453 MARSEILLE
E-mail address: lorenzo.brasco@unife.it

(G. Franzina) DIPARTIMENTO DI MATEMATICA “G. CASTELNUOVO”
SAPIENZA UNIVERSITÀ DI ROMA
PIAZZALE ALDO MORO 5, 00185 ROMA, ITALY
E-mail address: franzina@mat.uniroma1.it

(B. Ruffini) INSTITUT MONTPELLIÉRAIN ALEXANDER GROTHENDIECK,
CNRS, UNIV. MONTPELLIER, 34095 MONTPELLIER, CEDEX 5, FRANCE
E-mail address: berardo.ruffini@umontpellier.fr