



**HAL**  
open science

## Runtime Enforcement Using Büchi Games

Matthieu Renard, Antoine Rollet, Yliès Falcone

► **To cite this version:**

Matthieu Renard, Antoine Rollet, Yliès Falcone. Runtime Enforcement Using Büchi Games. 2017.  
hal-01509827v1

**HAL Id: hal-01509827**

**<https://hal.science/hal-01509827v1>**

Preprint submitted on 18 Apr 2017 (v1), last revised 17 May 2017 (v3)

**HAL** is a multi-disciplinary open access archive for the deposit and dissemination of scientific research documents, whether they are published or not. The documents may come from teaching and research institutions in France or abroad, or from public or private research centers.

L'archive ouverte pluridisciplinaire **HAL**, est destinée au dépôt et à la diffusion de documents scientifiques de niveau recherche, publiés ou non, émanant des établissements d'enseignement et de recherche français ou étrangers, des laboratoires publics ou privés.

# Runtime Enforcement Using Büchi Games

Matthieu Renard  
LaBRI  
Bordeaux INP  
University of Bordeaux  
Bordeaux, France  
matthieu.renard@labri.fr

Antoine Rollet  
LaBRI  
Bordeaux INP  
University of Bordeaux  
Bordeaux, France  
antoine.rollet@labri.fr

Yliès Falcone  
Univ. Grenoble Alpes  
Inria  
F-38000, Grenoble, France  
yliès.falcone@imag.fr

## ABSTRACT

We leverage Büchi games for the runtime enforcement of regular properties with uncontrollable events. Runtime enforcement consists in modifying the execution of a running system to have it satisfy a given regular property, modelled by an automaton. We revisit runtime enforcement with uncontrollable events and propose a framework where we model the runtime enforcement problem as a Büchi game and synthesise sound, compliant, and optimal enforcement mechanisms as strategies. We present algorithms and a tool implementing enforcement mechanisms. We reduce the complexity of the computations performed by enforcement mechanisms at runtime by pre-computing decisions of enforcement mechanisms ahead of time.

### ACM Reference format:

Matthieu Renard, Antoine Rollet, and Yliès Falcone. 2016. Runtime Enforcement Using Büchi Games. In *Proceedings of 24th International Symposium on Model Checking of Software, Santa Barbara, CA, USA, July 12–14, 2017 (SPIN 2017)*, 13 pages. DOI: 10.1145/nnnnnnn.nnnnnnn

## 1 INTRODUCTION

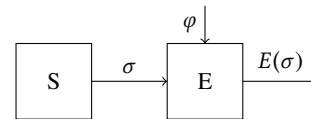
Runtime Verification (RV) consists in checking if the execution of a running system satisfies some given specification. Unlike static verification, RV studies a real execution of a system, possibly after deployment. This paper deals with *runtime enforcement*, an extension of runtime verification where executions are corrected when they violate the property [1, 5, 6, 9]. An enforcement mechanism modifies an execution: it takes an execution as input and outputs a possibly-different execution. Enforcement mechanisms may operate *online*, meaning that they modify the executions of a system while it is running, or *offline*, by reading a log of system events. While working online, enforcement mechanisms can add a time overhead due to their need to compute a correct output. We distinguish two categories of events: *controllable* events that can be modified by an enforcement mechanism, and *uncontrollable* events that can only be observed by the enforcement mechanism. Enforcement mechanisms should be *sound* and *compliant*, meaning that the output should satisfy the specification when it is possible, and that the output should

be as close to the input as possible, respectively. The general scheme is given in Fig. 1.

*Motivations.* In this paper, we improve the modelling of the enforcement mechanisms proposed in [8], as well as the computation of their output. Such mechanisms should impact the system as little as possible, thus reducing the time spent by enforcement mechanisms to compute their behaviour allows us to use them in a more realistic way. For example, in interactive systems, where the system interacts with a human user, if an event takes too long to be output, the user may think that the system failed. It could also be useful for embedded systems, where computing power may be reduced. Computing the behaviour of the enforcement mechanism ahead of the execution and storing it ensures that the computation does not depend on the size of the automaton, thus allowing the time spent on online computations by enforcement mechanisms to be reduced and more predictable. Indeed, not exploring the whole execution tree for all possible outputs at runtime, as a naive approach would do, allows us to have computation times that vary less (with a naive approach, the computation time can become very important with an increasing number of stored controllable events).

*Challenges.* Storing the behaviour of enforcement mechanisms to improve their online computation time induces some changes compared to previous work (as [8]). The main difficulty resides in the fact that the number of states of the enforcement mechanism is infinite. Indeed, the mechanism has the possibility to store controllable events that it may choose to release or not. The number of events that can be stored at the same time is not bounded, thus the number of states of the enforcement mechanism is infinite. Therefore, computing and storing its behaviour for all possible input traces entails defining appropriate abstractions.

*Contributions.* A first approach of enforcement with uncontrollable events has been presented in [8] providing sound and compliant enforcement mechanisms. A technical report proposing an optimal version of this work may be found in [7]. In this paper, we propose to extend this work by computing the behaviour of the enforcement mechanism using Büchi games. Using Büchi games allows us to compute the behaviour of the enforcement mechanism before the



**Figure 1: Schematic description of an enforcement mechanism  $E$ , modifying the execution  $\sigma$  of the system  $S$  to  $E(\sigma)$ , so that it satisfies the property  $\varphi$ .**

Permission to make digital or hard copies of all or part of this work for personal or classroom use is granted without fee provided that copies are not made or distributed for profit or commercial advantage and that copies bear this notice and the full citation on the first page. Copyrights for components of this work owned by others than ACM must be honored. Abstracting with credit is permitted. To copy otherwise, or republish, to post on servers or to redistribute to lists, requires prior specific permission and/or a fee. Request permissions from [permissions@acm.org](mailto:permissions@acm.org).

SPIN 2017, Santa Barbara, CA, USA

© 2016 ACM. 978-x-xxxx-xxxx-x/YY/MM...\$15.00

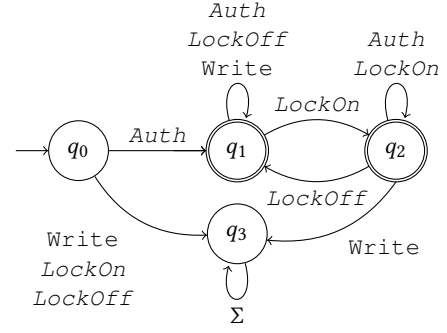
DOI: 10.1145/nnnnnnn.nnnnnnn

execution, thus allowing to trade time complexity with space complexity. When using an *online* enforcement mechanism (i.e. an enforcement mechanism on a running system), it allows us to produce the output faster in the worst case than in [8] and [7] where the behaviour of the enforcement mechanism was computed every time an event was received. Leveraging games, when an event is received, the enforcement mechanism only follows a path in a graph, and the destination vertex is sufficient to indicate if a stored event should be output or not. Moreover, the generated graph can be visualised to understand the behaviour of the enforcement mechanism, and it also shows clearly when an enforcement mechanism can effectively ensure soundness. We redefine soundness, compliance and optimality using a set-theoretic view of the system, thus providing a global vision of the system based on inputs and outputs at any instant. We give the algorithms (and their complexity analysis) implementing the behaviour of enforcement mechanisms. We finally present a tool implementing the proposed approach.

## 2 PRELIMINARIES AND NOTATION

*General notions.* An *alphabet* is a finite set of symbols. A *word* over an alphabet  $\Sigma$  is a sequence over  $\Sigma$ . The set of finite words over  $\Sigma$  is denoted  $\Sigma^*$ . The *length* of a finite word  $w$  is noted  $|w|$ , and the *empty word* is noted  $\epsilon$ .  $\Sigma^+$  stands for  $\Sigma^* \setminus \{\epsilon\}$ . A *language* over  $\Sigma$  is any subset  $L \subseteq \Sigma^*$ . The concatenation of two words  $w$  and  $w'$  is noted  $w.w'$  (or  $ww'$  when clear from the context). A word  $w'$  is a *prefix* of a word  $w$ , noted  $w' \preceq w$ , if there exists a word  $w''$  such that  $w = w'.w''$ . Word  $w''$  is called the *residual* of  $w$  after reading the prefix  $w'$ , noted  $w'' = w'^{-1}.w$ . Note that  $w'.w'' = w'.w'^{-1}.w = w$ . These definitions are extended to languages in the natural way. A language  $L \subseteq \Sigma^*$  is *extension-closed* if for any words  $w \in L$  and  $w' \in \Sigma^*$ ,  $w.w' \in L$ . Given a word  $w$  and an integer  $i$  such that  $1 \leq i \leq |w|$ , we note  $w(i)$  the  $i$ -th element of  $w$ . Given a tuple  $e = (e_1, e_2, \dots, e_n)$  of size  $n$ , for an integer  $i$  such that  $1 \leq i \leq n$ , we note  $\Pi_i$  the projection on the  $i$ -th coordinate, i.e.  $\Pi_i(e) = e_i$ . The tuple  $(e_1, e_2, \dots, e_n)$  is sometimes noted  $\langle e_1, e_2, \dots, e_n \rangle$  in order to help reading. It can be used, for example, if a tuple contains a tuple. Given a word  $w \in \Sigma^*$  and  $\Sigma' \subseteq \Sigma$ , we define the *restriction* of  $w$  to  $\Sigma'$ , noted  $w|_{\Sigma'}$ , as the word  $w' \in \Sigma'^*$  whose letters are the letters of  $w$  belonging to  $\Sigma'$  in the same order. Formally,  $\epsilon|_{\Sigma'} = \epsilon$  and  $\forall \sigma \in \Sigma^*, \forall a \in \Sigma, (w.a)|_{\Sigma'} = w|_{\Sigma'}.a$  if  $a \in \Sigma'$ , and  $(w.a)|_{\Sigma'} = w|_{\Sigma'}$  otherwise. We also note  $\equiv_{\Sigma'}$  the equality of the restrictions of two words to  $\Sigma'$ : for  $\sigma$  and  $\sigma'$  in  $\Sigma^*$ ,  $\sigma \equiv_{\Sigma'} \sigma'$  if  $\sigma|_{\Sigma'} = \sigma'|_{\Sigma'}$ . We define in the same way  $\preceq_{\Sigma'}$ :  $\sigma \preceq_{\Sigma'} \sigma'$  if  $\sigma|_{\Sigma'} \preceq \sigma'|_{\Sigma'}$ .

*Automata.* An *automaton* is a tuple  $\langle Q, q_0, \Sigma, \rightarrow, F \rangle$ , where  $Q$  is the set of *states*,  $q_0 \in Q$  is the initial state,  $\Sigma$  is the alphabet,  $\rightarrow \subseteq Q \times \Sigma \times Q$  is the transition relation and  $F \subseteq Q$  is the set of accepting states. Whenever there exists  $(q, a, q') \in \rightarrow$ , we note it  $q \xrightarrow{a} q'$ . Relation  $\rightarrow$  is extended to its reflexive and transitive closure in the usual way. Moreover, for any  $q \in Q$ ,  $q \xrightarrow{\epsilon} q$  always holds. An automaton  $\mathcal{A} = \langle Q, q_0, \Sigma, \rightarrow, F \rangle$  is *deterministic* if  $\forall q \in Q, \forall a \in \Sigma, (q \xrightarrow{a} q' \wedge q \xrightarrow{a} q'') \implies q' = q''$ .  $\mathcal{A}$  is *complete* if  $\forall q \in Q, \forall a \in \Sigma, \exists q' \in Q, q \xrightarrow{a} q'$ . A word  $w$  is *accepted* by  $\mathcal{A}$  if there exists  $q \in F$  such that  $q_0 \xrightarrow{w} q$ . The language (i.e. set of all words) accepted by  $\mathcal{A}$  is noted  $\mathcal{L}(\mathcal{A})$ . A *property* is a language over an alphabet  $\Sigma$ . A regular property is a language accepted



**Figure 2: Property  $\varphi_{\text{ex}}$  modelling writes on a shared storage device**

by an automaton. In the sequel, we assume that a property  $\varphi$  is represented by a deterministic and complete automaton  $\mathcal{A}_\varphi$ . Given a complete and deterministic automaton  $\mathcal{A} = \langle Q, q_0, \Sigma, \rightarrow, F \rangle$  and a word  $\sigma \in \Sigma^*$ , for  $q \in Q$ , we note  $q$  after  $\sigma$  the only state such that  $q \xrightarrow{\sigma} (q \text{ after } \sigma)$ . The completeness of  $\mathcal{A}$  ensures that  $q$  after  $\sigma$  exists, and its determinism ensures that it is unique. We also note  $\text{Reach}(\sigma) = q_0 \text{ after } \sigma$ . We extend these definitions to languages: if  $L$  is a language,  $q$  after  $L = \bigcup_{\sigma \in L} q$  after  $\sigma$  and  $\text{Reach}(L) = q_0$  after  $L$ .

*Graphs and Büchi games.* A *graph* is a couple  $\langle V, E \rangle$  such that  $V$  is a set of elements called *vertices*,  $E \subseteq V \times V$  is a relation defining *edges* between the vertices. Given a graph  $G = \langle V, E \rangle$  and a partition of  $V$  into two subsets  $V_0$  and  $V_1$ , it is possible to play a two-player game in the *arena*  $A = (V_0, V_1, E)$ . A *play* over  $A$  is a path in  $G$ , i.e. a sequence of vertices such that there exists an edge in  $G$  between any two consecutive vertices in the sequence. A *strategy* for player  $P_0$  is a mapping  $\sigma : V^*V_0 \rightarrow V$  such that for all  $\pi \in V^*$ , for all  $v_0 \in V_0$ ,  $(v_0, \sigma(\pi.v_0)) \in E$ , i.e. the strategy gives a vertex that can be reached from  $v_0$ . Note that  $V_0$  is thus the set of vertices from which  $P_0$  can play, whereas the other player,  $P_1$ , plays from the vertices in  $V_1$ . Strategies for  $P_1$  are defined in a similar way, replacing  $V_0$  by  $V_1$ . A play  $\pi = v_0, v_1, \dots$  is *consistent* with the strategy  $\sigma$  if for any  $v_i \in V_0$ ,  $v_{i+1} = \sigma(v_0.v_1 \dots v_i)$ , meaning that the strategy was followed for any vertex in  $V_0$ . The goal of a game can be, for example, to reach a state in a given subset of  $V$  (reachability game), or to ensure that a given subset of  $V$  is visited an infinite number of times (Büchi games). Thus, given a subset  $F_G \subseteq V$  of vertices, the Büchi game  $(A, F_G)$  for  $P_0$  consists in finding a *winning strategy*  $\sigma$  such that all plays  $\pi$  over  $A$  consistent with  $\sigma$  visit an infinite number of times the set  $F_G$  (i.e. if  $\pi$  is consistent with  $\sigma$ ,  $\pi \in (V^*F_G)^\omega$ ). It is known that it is possible to compute the set  $W_0$  of winning vertices for  $P_0$  (i.e. the set of vertices from where there exists a winning strategy for  $P_0$ ), and the associated winning strategy from all these vertices. From all the other vertices (in  $V \setminus W_0$ ), there exists a winning strategy for  $P_1$ , i.e.  $W_1 = V \setminus W_0$ , thus  $P_0$  can not win the game if  $P_1$  plays perfectly from one of these vertices.

## 3 ENFORCEMENT MONITORING OF PROPERTIES USING BÜCHI GAMES

This paper revisits and extends the approach described in [8] by writing the definitions in a set-theoretic view instead of a functional

way and proposing a new synthesis technique of *Enforcement Mechanisms* (EM) using Büchi games.

In this section,  $\varphi$  is a regular property defined by a complete and deterministic automaton  $\mathcal{A}_\varphi = \langle Q, q_0, \Sigma, \rightarrow, F \rangle$ . Recall that the general scheme of an EM is given in Fig. 1, where  $S$  represents the running system,  $\sigma$  its execution,  $E$  the enforcement mechanism,  $\varphi$  the property to enforce, and  $E(\sigma)$  the output of the enforcement mechanism, which should satisfy  $\varphi$ .

We consider uncontrollable events<sup>1</sup> in the set  $\Sigma_u \subseteq \Sigma$ . These events cannot be modified by an EM, so they must be output by the EM whenever they are received. Let us note  $\Sigma_c = \Sigma \setminus \Sigma_u$  the set of controllable events, which can be modified by the EM. An EM can decide to buffer them to delay their emission, but it cannot suppress them (nevertheless, it can delay them endlessly, keeping their order unchanged).<sup>2</sup> Thus, an EM may interleave controllable and uncontrollable events.

### 3.1 Enforcement Functions and their Requirements

We consider an alphabet of actions  $\Sigma$ . We consider functions as sets: a *function* from a set  $A$  to a set  $B$  is a set  $f \subseteq A \times B$  such that for any element  $a$  in  $A$ , there is a unique  $b$  in  $B$  such that  $(a, b) \in f$ . We note  $\mathcal{F}(A, B)$  the set of all functions from  $A$  to  $B$ . An enforcement function is a description of the input/output behaviour of an EM. It is a function from  $\Sigma^*$  to  $\Sigma^*$ , increasing on  $\Sigma^*$  (with respect to  $\preceq$ ):

*Definition 3.1 (Enforcement function).* A function  $f \in \mathcal{F}(\Sigma^*, \Sigma^*)$  is an *enforcement function* if  $\forall i_1 \in \Sigma^*, \forall i_2 \in \Sigma^*, (i_1 \preceq i_2 \wedge (i_1, o_1) \in f \wedge (i_2, o_2) \in f) \implies o_1 \preceq o_2$ . We note  $\mathcal{F}_{\text{enf}}$  the set of all enforcement functions.

An enforcement function is a function that modifies an execution, and that cannot remove events it has already output.

In the sequel, we define the requirements on an EM and express them on enforcement functions. As stated previously, the usual purpose of an EM is to ensure that the executions of a running system satisfy a property, thus its enforcement function has to be *sound*, meaning that its output always satisfies the property:

*Definition 3.2 (Soundness).* An enforcement function  $E \in \mathcal{F}_{\text{enf}}$  is *sound* with respect to  $\varphi$  in an extension-closed set  $S \subseteq \Sigma^*$  if  $\forall i \in S, (i, o) \in E \implies o \models \varphi$ . We note  $\mathcal{F}_{\text{snd}}(S)$  the set of all enforcement functions that are sound in  $S$ .

The reception of uncontrollable events could lead to the property not being satisfied by the output of the enforcement mechanism. Moreover, some uncontrollable sequences could lead to a state of the property that would be a non-accepting sink state. Thus, the enforcement mechanism would not be able to make the property satisfied. Consequently, in Definition 3.2, soundness is not defined for all words in  $\Sigma^*$ , but in a subset  $S$ , since the property could not be enforceable from the initial state. In practice, for an EM to be effective,  $S$  needs to be extension-closed to ensure that the property is always satisfied once it has been.

<sup>1</sup>This notion of uncontrollable event should not be confused with the notion of uncontrollable transition used in some game theory.

<sup>2</sup>This choice appeared to us as the most realistic one. Extending the notions presented in this section in order to handle enforcement mechanisms with suppression is rather simple.

The usual notion of *transparency* in enforcement monitoring (cf. [6, 9]) states that the output of an enforcement function is the longest prefix of the input satisfying the property, implying that correct executions are left unchanged. However, because of uncontrollable events, events may be released in a different order from the one they are received. Therefore, transparency can not be ensured, and we define the weaker notion of *compliance*.

*Definition 3.3 (Compliance).*  $E \in \mathcal{F}_{\text{enf}}$  is *compliant* with respect to  $\Sigma_u$  and  $\Sigma_c$ , noted  $\text{compliant}(E, \Sigma_u, \Sigma_c)$ , if  $\forall i \in \Sigma^*, (i, o) \in E \implies (o \preceq_{\Sigma_c} i \wedge o =_{\Sigma_u} i \wedge \forall u \in \Sigma_u, ((i, u, o') \in E \implies o.u \preceq o'))$ . We note  $\mathcal{F}_{\text{cpl}}(\Sigma_u, \Sigma_c)$  the set of all enforcement functions that are compliant with respect to  $\Sigma_u$  and  $\Sigma_c$ .

Intuitively, compliance states that the EM does not change the order of the controllable events and emits uncontrollable events simultaneously with their reception, possibly followed by stored controllable events. When clear from the context, the partition is not mentioned:  $E$  is said to be compliant, we note it  $\text{compliant}(E)$ , and the set of all compliant functions is then denoted  $\mathcal{F}_{\text{cpl}}$ .

We say that a property  $\varphi$  is *enforceable* whenever there exists a compliant function that is sound with respect to  $\varphi$ .

In addition, an enforcement mechanism should be optimal in the sense that its output sequences should be maximal while preserving soundness and compliance. We define the optimality of sound and compliant enforcement functions as follows:

*Definition 3.4 (Optimality).* An enforcement function  $E \in \mathcal{F}_{\text{snd}}(S) \cap \mathcal{F}_{\text{cpl}}(\Sigma_u, \Sigma_c)$  is *optimal* in  $S$  if:

$$\forall E' \in \mathcal{F}_{\text{snd}}(S) \cap \mathcal{F}_{\text{cpl}}(\Sigma_u, \Sigma_c), \forall i \in S, \forall a \in \Sigma, ((i, o) \in E \cap E' \wedge (i.a, o') \in E \wedge (i.a, p') \in E') \implies p' \preceq o'.$$

Intuitively, optimality states that outputting a longer word than an optimal enforcement function breaks soundness or compliance. Since it is not always possible to satisfy the property from the beginning, this condition is restrained to an extension-closed subset of  $\Sigma^*$ , as in the definition of soundness (see Definition 3.2).

*Example 3.5.* We consider a simple shared storage device. After Authentication, a user can write a value only if the storage is unlocked. (Un)locking the device is decided by another entity, meaning that it is not controllable by the user. Property  $\varphi_{\text{ex}}$  (see Fig. 2) formalises the above requirement.  $\varphi_{\text{ex}}$  is not enforceable if the uncontrollable alphabet is  $\{\text{LockOn}, \text{LockOff}, \text{Auth}\}$ <sup>3</sup> since reading the word *LockOn* from  $q_0$  leads to  $q_3$ , which is not an accepting state. However, the existence of such a word does not prevent  $\varphi_{\text{ex}}$  from being enforced for some other input words. If word *Auth* is read, then state  $q_1$  is reached, and from this state, it is possible to enforce  $\varphi_{\text{ex}}$  by emitting *Write* only when in state  $q_1$ .

### 3.2 Synthesising Enforcement Functions

Example 3.5 shows that some input words cannot be corrected by the EM because of uncontrollable events. Nevertheless, since the received events may lead to a state from which it is possible to ensure that  $\varphi$  will be satisfied (meaning that for any events received as input, the enforcement mechanism can output a sequence that satisfies  $\varphi$ ), it is then possible to define a subset of  $\Sigma^*$  in which an enforcement function is sound.

<sup>3</sup>Uncontrollable events are emphasised in italics.

A compliant enforcement mechanism may store the received controllable events to emit them after having received another event, possibly uncontrollable. To ensure soundness, the enforcement mechanism must know if it is possible to emit some of its stored controllable events in order to reach an accepting state, from which it will be able to reach an accepting state even if some uncontrollable events are received later on. Thus, it should compute the set of words it can emit to reach such an accepting state. This set will be called  $G$ , and to define it, we solve a Büchi game over a graph representing the possible actions of an enforcement monitor. Solving a Büchi game is made by computing a set of nodes of the graph from which there exists a winning strategy. Then, from any of these winning nodes, the player can always come back to a Büchi state, whatever the strategy of the adversary is. Here, we construct a graph such that the enforcement mechanism is a player, and we compute its winning nodes, with the Büchi nodes representing a valid execution. The vertices of the graph are composed of a state in  $Q$  and the stored controllable events of the enforcement mechanism. There exists two of each of these vertices, one that belongs to player  $P_0$  and one that belongs to player  $P_1$ . Player  $P_0$  represents the enforcement mechanism, and  $P_1$  the environment.

*Definition 3.6 (Game graph).* The game graph  $\mathcal{G}$  is defined as  $\mathcal{G} = \langle V, E \rangle$ , where

- $V = Q \times \Sigma_c^* \times \{0, 1\}$ ,
- $E_1 = \{(\langle q, w, 0 \rangle, \langle q, w, 1 \rangle) \in V \times V\}$ ,
- $E_2 = \{(\langle q, c.w, 0 \rangle, \langle q \text{ after } c, w, 0 \rangle) \in V \times V \mid c \in \Sigma_c\}$ ,
- $E_3 = \{(\langle q, w, 1 \rangle, \langle q \text{ after } u, w, 0 \rangle) \in V \times V \mid u \in \Sigma_u\}$ ,
- $E_4 = \{(\langle q, w, 1 \rangle, \langle q, w.c, 0 \rangle) \in V \times V \mid c \in \Sigma_c\}$ ,
- $E_5 = \{(\langle q, w, 1 \rangle, \langle q, w, 0 \rangle) \in V \times V\}$ ,
- $E = E_1 \cup E_2 \cup E_3 \cup E_4 \cup E_5$ .

A vertex  $\langle q, w, l \rangle \in V$  represents the state of the enforcement mechanism:  $q \in Q$  is the state of  $\mathcal{A}_\varphi$  that has been reached so far by the output of the enforcement mechanism,  $w \in \Sigma_c^*$  is the stored controllable events of the enforcement mechanism, and  $l \in \{0, 1\}$  indicates that the vertex belongs to the player  $P_l$ . In the definition of  $E$ , each set of edges represents an action of the enforcement mechanism or the environment. The enforcement mechanism can only take two decisions: doing nothing, i.e. letting the environment play (set  $E_1$ ), or emitting the first stored controllable event (set  $E_2$ ), in which case it continues to play (since the destinations of the edges in  $E_2$  belong to  $P_0$ ). The sets  $E_3$  and  $E_4$  represent the reception of an uncontrollable and a controllable event, respectively. Receiving an event lets the enforcement mechanism ( $P_0$ ) play. Since games are infinite, and we only consider finite executions, the environment can also decide to let the enforcement mechanism play without any new event (set  $E_5$ ). This allows us to consider finite executions that produce an infinite path in the game by looping on an edge in  $E_1$  and then one in  $E_5$ .

Unfortunately, this graph has an infinite number of vertices, it is thus not possible to compute the set of winning vertices for a Büchi game over it. To overcome this, the graph is reduced to a graph with a finite number of vertices. To do this, first note that the number of vertices is infinite because the set  $\Sigma_c^*$  is not bounded. Thus,  $\Sigma_c^*$  must be abstracted to a finite set. Since the goal is to reach a state in  $F$ , the stored controllable events are used to reach some states in  $Q$ . Since  $Q$  is finite, having more controllable events than  $|Q|$

means that (following the Pumping lemma) there is a loop, i.e. some state in  $Q$  is reached twice when emitting all the controllable events. Thus, the enforcement mechanism can emit all the events until it reaches this state for the second time, and then its decision will only depend on the remaining controllable events. Thus, the number of controllable events can be reduced to at most  $|Q|$ . More precisely, we can reduce  $\Sigma_c^*$  to the set of words that allow to reach a new state (i.e. a state that is not reached by one of its prefixes) from at least one state in  $Q$ . Let us call this set  $\Sigma_c^n$ , and define it as follows:

$$\Sigma_c^n = \{w \in \Sigma_c^* \mid \exists q \in Q, \exists c \in \Sigma_c, \forall w' \preceq w, q \text{ after } w.c \neq q \text{ after } w'\}$$

As explained previously, since  $Q$  is finite,  $\Sigma_c^n$  is finite as well. Now, let us redefine  $\mathcal{G}$  to an abstraction of the game graph:

*Definition 3.7 (Abstracted game graph).*  $\mathcal{G} = \langle V', E' \rangle$ , where  $V' = Q \times \Sigma_c^n \times \{0, 1\}$ , and  $E'$  is the same set as  $E$ , but considering vertices in  $V'$  instead of  $V$ .

$\mathcal{G}$  then has a finite number of vertices. Let us now consider  $W_0 \subseteq V$  the set of vertices that are winning for  $P_0$  in the Büchi game over  $\mathcal{G}$ , with the set of Büchi (accepting) vertices being  $F \times \Sigma_c^n \times \{0, 1\}$ .

*Example 3.8.* The graph in Fig. 3 is computed from property  $\varphi_{ex}$ , with `Write` abbreviated `w` in the second member of the nodes. The Büchi nodes are double circled, and the winning nodes for player 0 (i.e. nodes in  $W_0$ ) are in blue and rounded rectangles. Each edge has a different colour and a different head depending on the set it belongs to. Blue edges (empty triangular head) belong to  $E_1$ , green edges (filled triangular head) belong to  $E_2$ , orange edges (empty diamond head) belong to  $E_4$ , and red edges (filled diamond head) belong to  $E_3 \cup E_5$ . Each edge is represented only once, even if there are multiple edges in the set (for example, because multiple uncontrollable events lead to the same state from one state). The squared vertex is the initial vertex, and “-” stands for “ $\epsilon$ ” (empty buffer). Since the initial vertex is black (not rounded), this means that it is impossible to ensure that the property will be satisfied from the beginning. The only way to reach a winning state is to follow a red edge from a vertex in  $\{q_0\} \times \{\epsilon, w, w.w\} \times \{1\}$ , that corresponds to receiving the uncontrollable event `Auth` (since it leads to a state in  $\{q_2\} \times \{\epsilon, w, w.w\} \times \{0\}$ ). Then, `Write` events can only be emitted when in state  $q_1$ . This behaviour is the one expected, since in  $\varphi_{ex}$ , the only way to reach a state in  $F$  from  $q_0$  is to follow a path labelled by `Auth`, and then  $q_1$  is reached, from which it is possible to emit `Write` events, but if some uncontrollable events are received that lead to  $q_2$ , one must wait an event `LockOff` to go back to  $q_1$  and be able to emit another `Write` event.

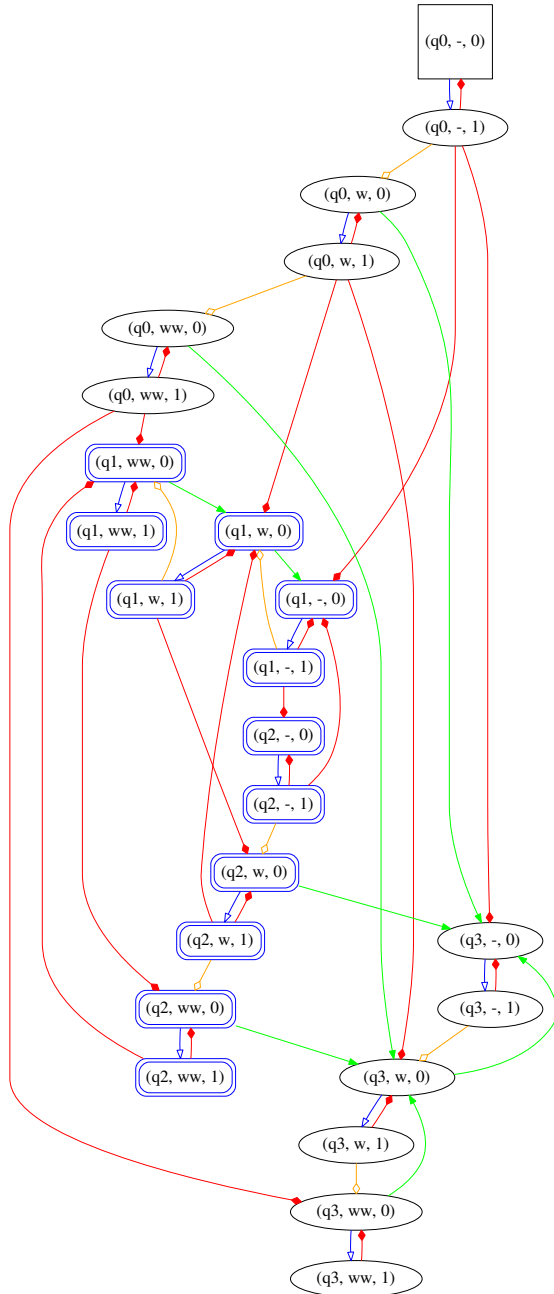
Now, we can use  $W_0$  to define  $G$ , the set of words that can be emitted from a state  $q \in Q$  by an enforcement mechanism with a buffer  $\sigma \in \Sigma_c^*$ .

*Definition 3.9 (G).* For a state  $q \in Q$  and a word of controllable events  $\sigma \in \Sigma_c^*$ , we define the set  $G(q, \sigma)$  as follows:

$$G(q, \sigma) = \{w \in \Sigma_c^* \mid w \preceq \sigma \wedge q \text{ after } w \in F \wedge \langle q \text{ after } w, \max_{\preceq}(\{w' \preceq w^{-1} \cdot \sigma \mid w' \in \Sigma_c^n\}, 1) \rangle \in W_0\}.$$

Intuitively,  $G$  is the set of words that can be output by a compliant enforcement mechanism to ensure soundness.

Now, we use  $G$  to define the functional behaviour of the enforcement mechanism.


**Figure 3: Graph of the game associated to  $\varphi_{ex}$** 

**Definition 3.10** (Functions  $\text{store}_\varphi$ ,  $E_\varphi$ ).<sup>4</sup> Function  $\text{store}_\varphi \in \Sigma^* \times (\Sigma^* \times \Sigma_c^*)$  is defined by induction on its first member as follows:

- $(\epsilon, \langle \epsilon, \epsilon \rangle) \in \text{store}_\varphi$ ;

<sup>4</sup> $E_\varphi$  and  $\text{store}_\varphi$  depend on  $\Sigma_u$  and  $\Sigma_c$ , but we did not write it in order to lighten the notations.

- for  $\sigma \in \Sigma^*$  and  $a \in \Sigma$ , let  $(\sigma, \langle \sigma_s, \sigma_c \rangle) \in \text{store}_\varphi$ , then:
 
$$\begin{cases} (\sigma.a, \langle \sigma_s.a.\sigma'_s, \sigma'_c \rangle) \in \text{store}_\varphi & \text{if } a \in \Sigma_u \\ (\sigma.a, \langle \sigma_s.\sigma''_s, \sigma''_c \rangle) \in \text{store}_\varphi & \text{if } a \in \Sigma_c \end{cases}, \text{ where:}$$

$$\begin{aligned} \kappa_\varphi(q, w) &= \max_{\preceq} (G(q, w) \cup \{\epsilon\}), \text{ for } q \in Q \text{ and } w \in \Sigma_c^*, \\ \sigma'_s &= \kappa_\varphi(\text{Reach}(\sigma_s, a), \sigma_c), & \sigma'_c &= \sigma_s'^{-1}.\sigma_c, \\ \sigma''_s &= \kappa_\varphi(\text{Reach}(\sigma_s), \sigma_c.a), & \sigma''_c &= \sigma_s''^{-1}.\langle \sigma_c.a \rangle. \end{aligned}$$

The enforcement function  $E_\varphi \in \mathcal{F}_{\text{enf}}$  is defined as:

$$E_\varphi = \{(\sigma, \sigma') \mid \exists w \in \Sigma_c^*, (\sigma, \langle \sigma', w \rangle) \in \text{store}_\varphi\}.$$

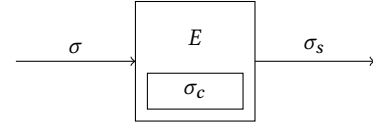

**Figure 4: Enforcement function**

Figure 4 gives a scheme of the behaviour of the enforcement function. Intuitively,  $\sigma_s$  is the word that can be released as output, whereas  $\sigma_c$  is the buffer containing the events that are already read/received, but cannot be released as output yet because they lead to an unsafe state from which it would be possible to violate the property reading only uncontrollable events (i.e. they lead to a vertex in  $W_1 = V \setminus W_0$ ). Upon receiving a new event  $a$ , the enforcement mechanism distinguishes two cases:

- If  $a$  belongs to  $\Sigma_u$ , then it is output, as required by compliance. Then, the longest prefix of  $\sigma_c$  that satisfies  $\varphi$  and leads to a vertex in  $W_0$  is also output.
- If  $a$  is in  $\Sigma_c$ , then it is added to  $\sigma_c$ , and the longest prefix of this new buffer that satisfies  $\varphi$  and leads to a vertex in  $W_0$  is emitted, if it exists.

In both cases,  $\kappa_\varphi$  is used to compute the longest word that can be output, that is the longest word in  $G$  for the state reached so far with the current buffer of the enforcement mechanism, or  $\epsilon$  if this set is empty. The parameters of  $\kappa_\varphi$  are those which are passed to  $G$ , they correspond to the state reached so far by the output of the enforcement mechanism, and its current buffer, respectively.

Some properties are not enforceable (see Example 3.5), but receiving some events may lead to a state from which it is possible to enforce. Therefore, it is possible to define a set of words, called  $\text{Pre}(\varphi)$ , such that  $E_\varphi$  is sound in  $\text{Pre}(\varphi)$ , as stated in Proposition 3.14:

**Definition 3.11** (Pre). The set of input words  $\text{Pre}(\varphi) \subseteq \Sigma^*$  is defined as follows:

$$\text{Pre}(\varphi) = \{\sigma \in \Sigma^* \mid G(\text{Reach}(\sigma|_{\Sigma_u}, \sigma|_{\Sigma_c}) \neq \emptyset)\}.\Sigma_c^*$$

Intuitively,  $\text{Pre}(\varphi)$  is the set of words in which  $E_\varphi$  is sound. This set is extension-closed, as required by Definition 3.2. In  $E_\varphi$ , using  $W_0$  ensures that once the set  $G$  is not empty, then it will never be afterwards, whatever events are received. Thus,  $\text{Pre}(\varphi)$  is the set of input words such that the output of  $E_\varphi$  belongs to  $G$ . Since  $E_\varphi$  outputs only uncontrollable events until  $G$  becomes non-empty, the definition of  $\text{Pre}(\varphi)$  considers that the state reached is the one that is reached by emitting only the uncontrollable events of  $\sigma$ , and the corresponding buffer would then be the controllable events of  $\sigma$ .

*Example 3.12.* Considering the property  $\varphi_{\text{ex}}$  as shown in Fig. 2, with the uncontrollable alphabet  $\Sigma_u = \{\text{Auth}, \text{LockOff}, \text{LockOn}\}$ ,  $\text{Pre}(\varphi_{\text{ex}}) = \text{Write}^*.\text{Auth}.\Sigma^*$ . Indeed, from the initial state  $q_0$ , if an uncontrollable event, say  $\text{LockOff}$ , is received, then  $q_3$  is reached, which is a non-accepting sink state, and thus any vertex in  $\{q_3\} \times \Sigma_c^n \times \{0, 1\}$  will not be in  $W_0$ . In order to reach a vertex in  $W_0$  (i.e. a vertex in  $\{q_1, q_2\} \times \Sigma_c^n \times \{0, 1\}$ ), it is necessary to read  $\text{Auth}$ . Once  $\text{Auth}$  is read,  $q_1$  is reached, and from there, all uncontrollable events lead to either  $q_1$  or  $q_2$ . The same holds true from  $q_2$ . Thus, it is possible to stay in the accepting states  $q_1$  and  $q_2$ , by delaying  $\text{Write}$  events when in  $q_2$  until a  $\text{LockOff}$  event is received. Consequently,  $\{q_1, q_2\} \times \Sigma_c^n \times \{0, 1\} \subseteq W_0$ , and thus  $\text{Pre}(\varphi_{\text{ex}}) = \text{Write}^*.\text{Auth}.\Sigma^*$ , since  $\text{Write}$  events can be buffered while in state  $q_0$  until event  $\text{Auth}$  is received, leading to a vertex in  $\{q_1\} \times (\text{Write}^* \cap \Sigma_c^n) \times \{0, 1\} \subseteq W_0$ .

Considering the property  $\varphi_{\text{ex}}$  defined in Fig. 2, we illustrate in Table 1 the enforcement function by showing the evolution of  $\sigma_s$  and  $\sigma_c$  with input  $\sigma = \text{Auth}.\text{LockOn}.\text{Write}.\text{LockOff}$ .

**Table 1: Evolution of  $(\sigma, \langle \sigma_s, \sigma_c \rangle) \in \text{store}_{\varphi_{\text{ex}}}$**

$\sigma$	$\sigma_s$	$\sigma_c$
$\epsilon$	$\epsilon$	$\epsilon$
$\text{Auth}$	$\text{Auth}$	$\epsilon$
$\text{Auth}.\text{LockOn}$	$\text{Auth}.\text{LockOn}$	$\epsilon$
$\text{Auth}.\text{LockOn}.\text{Write}$	$\text{Auth}.\text{LockOn}$	$\text{Write}$
$\text{Auth}.\text{LockOn}.\text{Write}.\text{LockOff}$	$\text{Auth}.\text{LockOn}.\text{LockOff}.\text{Write}$	$\epsilon$

$E_\varphi$  (as per Definition 3.10) is an enforcement function that is sound with respect to  $\varphi$  in  $\text{Pre}(\varphi)$ , compliant with respect to  $\Sigma_u$  and  $\Sigma_c$ , and optimal in  $\text{Pre}(\varphi)$ .

**PROPOSITION 3.13.**  $E_\varphi$  is an enforcement function as per Definition 3.1.

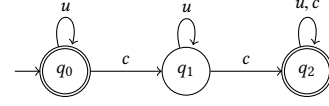
*Sketch of proof.* We have to show that for all  $\sigma$  and  $\sigma'$  in  $\Sigma^*$ ,  $(\sigma, \sigma_o) \in E_\varphi \wedge (\sigma, \sigma', \sigma'_o) \in E_\varphi \implies \sigma_o \preceq \sigma'_o$ . Following the definition of  $\text{store}_\varphi$ , this holds provided that  $\sigma' \in \Sigma$  (i.e.  $\sigma'$  is a word of size 1). Since  $\preceq$  is an order, it follows that the proposition holds for all  $\sigma' \in \Sigma'$ .

**PROPOSITION 3.14.**  $E_\varphi$  is sound with respect to  $\varphi$  in  $\text{Pre}(\varphi)$ , as per Definition 3.2.

*Sketch of proof.* We have to show that if  $\sigma \in \text{Pre}(\varphi)$ , then  $(\sigma, \sigma_o) \in E_\varphi \implies \sigma_o \models \varphi$ . The proof is made by induction on  $\sigma$ . In the induction step, considering  $a \in \Sigma$ , we distinguish three cases:

- (1)  $\sigma.a \notin \text{Pre}(\varphi)$ . Then the proposition holds.
- (2)  $\sigma.a \in \text{Pre}(\varphi)$ , but  $\sigma \notin \text{Pre}(\varphi)$ . Then the input reaches  $\text{Pre}(\varphi)$ , and since it is extension-closed, all extensions of  $\sigma$  also are in  $\text{Pre}(\varphi)$ , and we prove that the proposition holds considering the definition of  $\text{Pre}(\varphi)$ .
- (3)  $\sigma \in \text{Pre}(\varphi)$  (and thus,  $\sigma.a \in \text{Pre}(\varphi)$  since it is extension-closed). Then, we prove that the proposition holds, based on the definition of  $\text{store}_\varphi$ , and more precisely on the definition of  $G$ , that uses  $W_0$  to ensure that there always exists a compliant output that satisfies  $\varphi$ .

**PROPOSITION 3.15.**  $E_\varphi$  is compliant, as per Definition 3.3.



**Figure 5: Property that can be enforced by blocking all controllable events  $c$ , thus outputting only the uncontrollable ones  $u$ .**

*Sketch of proof.* The proof is made by induction on the input  $\sigma \in \Sigma^*$ . Considering  $\sigma \in \Sigma^*$  and  $a \in \Sigma$ , the proof is straightforward by considering the different values of  $(\sigma.a, \sigma_o) \in \text{store}_\varphi$ ,  $(\sigma.a)_{|\Sigma_u}$ , and  $(\sigma.a)_{|\Sigma_c}$ , when  $a \in \Sigma_c$  and  $a \in \Sigma_u$ .

**REMARK 1.** Notice that for some properties, an enforcement function that would block all controllable events may still be sound and compliant. Consider for instance the property represented in Fig. 5, where  $c$  is a controllable event, and  $u$  an uncontrollable event. Then, outputting only the event  $u$  and buffering all the  $c$  events allows us to stay in state  $q_0$ , which is sound since  $\{q_0\} \times (c^* \cap \Sigma_c^n) \times \{0, 1\} \subseteq W_0$ . This means that an enforcement mechanism that blocks all controllable events would be sound and compliant. Nevertheless, if  $c.c$  is received, it can be output to reach state  $q_2$ , which is also accepting and  $\{q_2\} \times \Sigma_c^n \times \{0, 1\} \subseteq W_0$ . Then it is possible to release more events. Therefore, an enforcement mechanism that would output two  $c$  events when they are received would be “better” than the first one blocking all of them, in the sense that its output would be longer (and thus closer to the input).

For any given input  $\sigma \in \text{Pre}(\varphi)$ ,  $E_\varphi(\sigma)$  is the longest possible word that ensures soundness and compliance, that is controllable events are blocked only when necessary. Thus,  $E_\varphi$  is also optimal in  $\text{Pre}(\varphi)$ :

**PROPOSITION 3.16.**  $E_\varphi$  is optimal in  $\text{Pre}(\varphi)$ , as per Definition 3.4.

*Sketch of proof.* The proof is made by induction on the input  $\sigma \in \Sigma^*$ . Once  $\sigma \in \text{Pre}(\varphi)$ , we know that  $(\sigma, \sigma_o) \in E_\varphi \implies \sigma_o \models \varphi$  since  $E_\varphi$  is sound in  $\text{Pre}(\varphi)$ .  $E_\varphi$  is optimal because, in  $\text{store}_\varphi$ ,  $\kappa_\varphi$  provides the longest possible word. If a longer word were output, then either the output would not satisfy  $\varphi$ , or it would lead to a vertex that is not in  $W_0$ , meaning that there would exist an uncontrollable word leading to a non-accepting state and to a vertex that would not be in  $W_0$ . Then, the enforcement mechanism would have to output some controllable events from the buffer to reach an accepting state, but since the vertex is not in  $W_0$ , there would exist again an uncontrollable word leading to a non-accepting state and a vertex not in  $W_0$ . By iterating, the buffer would become  $\epsilon$  whereas the output of the enforcement mechanism would be leading to a non-accepting state. Therefore, outputting a longer word would mean that the function is not sound. This means that  $E_\varphi$  is optimal in  $\text{Pre}(\varphi)$ , since it outputs the longest word that allows us to be both sound and compliant.

### 3.3 Enforcement Monitors

Enforcement monitors are operational descriptions of enforcement mechanisms. We give a representation of an enforcement mechanism for a property  $\varphi$  as an input/output transition system. The input/output behaviour of the enforcement monitor is the same as

the one of the enforcement function  $E_\varphi$  defined in Section 3.2. Enforcement monitors are purposed to ease the implementation of enforcement mechanisms, since they give an operational representation of the enforcement mechanism.

*Definition 3.17 (Enforcement monitor).* An enforcement monitor  $\mathcal{E}$  for  $\varphi$  is a transition system  $\langle C^\mathcal{E}, c_0^\mathcal{E}, \Gamma^\mathcal{E}, \hookrightarrow_\mathcal{E} \rangle$  such that:

- $C^\mathcal{E} = Q \times \Sigma^*$  is the set of configurations.
- $c_0^\mathcal{E} = \langle q_0, \epsilon \rangle$  is the initial configuration.
- $\Gamma^\mathcal{E} = \Sigma^* \times \{\text{dump}(\cdot), \text{pass-uncont}(\cdot), \text{store-cont}(\cdot)\} \times \Sigma^*$  is the alphabet, where the first, second, and third members are an input sequence, an enforcement operation, and an output sequence, respectively.
- $\hookrightarrow_\mathcal{E} \subseteq C^\mathcal{E} \times \Gamma^\mathcal{E} \times C^\mathcal{E}$  is the transition relation, defined as the smallest relation obtained by applying the following rules in order (where  $w / \bowtie / w'$  stands for  $(w, \bowtie, w') \in \Gamma^\mathcal{E}$ ):
  - **Dump:**  $\langle q, a, \sigma_c \rangle \xrightarrow{\epsilon / \text{dump}(a)/a}_\mathcal{E} \langle q', \sigma_c \rangle$ , if  $a \in \Sigma_c$ ,  $G(q, a, \sigma_c) \neq \emptyset$  and  $G(q, a, \sigma_c) \neq \{\epsilon\}$ , with  $q' = q$  after  $a$ ,
  - **Pass-uncont:**  $\langle q, \sigma_c \rangle \xrightarrow{a / \text{pass-uncont}(a)/a}_\mathcal{E} \langle q', \sigma_c \rangle$ , with  $a \in \Sigma_u$  and  $q' = q$  after  $a$ ,
  - **Store-cont:**  $\langle q, \sigma_c \rangle \xrightarrow{a / \text{store-cont}(a)/\epsilon}_\mathcal{E} \langle q, \sigma_c, a \rangle$ , with  $a \in \Sigma_c$ .

In  $\mathcal{E}$ , a configuration  $c = \langle q, \sigma \rangle$  represents the current state of the enforcement mechanism. The state  $q$  is the one reached so far in  $\mathcal{A}_\varphi$  with the output of the monitor. The word of controllable events  $\sigma$  represents the buffer of the monitor, i.e. the controllable events of the input that it has not output yet. Rule **dump** outputs the first event of the buffer if it can ensure soundness afterwards (i.e. if there is a non-empty word in  $G$ , that must begin with this event). Rule **pass-uncont** releases an uncontrollable event as soon as it is received. Rule **store-cont** simply adds a controllable event at the end of the buffer. Compared to Section 3.2, the second member of the configuration represents buffer  $\sigma_c$  in the definition of  $\text{store}_\varphi$ , whereas  $\sigma_s$  is here represented by state  $q$  which is the first member of the configuration, such that  $q = \text{Reach}(\sigma_s)$ .

**PROPOSITION 3.18.** *The output of the enforcement monitor  $\mathcal{E}$  for input  $\sigma$  is  $E_\varphi(\sigma)$ .*

In Proposition 3.18, the output of the enforcement monitor is the concatenation of all the outputs of the word labelling the path followed when reading  $\sigma$ . A more formal definition is given in the proof of this proposition, in appendix A.

*Sketch of proof.* The proof is made by induction on the input  $\sigma \in \Sigma^*$ . We just consider the rules that can be applied when receiving a new event. If the event is controllable, then rule  $\text{store-cont}()$  can be applied, possibly followed by rule  $\text{dump}()$  applied once or more times. If the event is uncontrollable, then rule  $\text{pass-uncont}()$  can be applied, again possibly followed by rule  $\text{dump}()$  applied once or more times. Since rule  $\text{dump}()$  applies only when there is a non-empty word in  $G$ , then this word must begin with the first event of the buffer, and the rule  $\text{dump}()$  can be applied again if there was a word in  $G$  of size at least 2, meaning that there is another non-empty word in the new set  $G$ ... Thus, the output of all the applications of the rule  $\text{dump}()$  corresponds to the computation of  $\kappa_\varphi$  in the definition of  $\text{store}_\varphi$ , and consequently the outputs of  $\mathcal{E}$  and  $E_\varphi$  are the same.

## 4 IMPLEMENTATION

We describe some of the algorithms that allow to use a game graph (as per Definition 3.6) to define an enforcement mechanism. We suppose that the set of winning nodes of the graph is known, as there exist well-known algorithms to compute it.

### 4.1 Algorithms

Algorithm 1 computes the set  $\Sigma_c^n$  (see Section 3.2), the set of words that allow to reach a state that is unreachable with all its prefixes from at least one state. Algorithm 1 uses a recursive function described in Algorithm 2. The algorithm builds the words incrementally, adding each possible event to a word in the set, until adding an event does not allow to reach a new state from any state. We make use of arrays of one and two dimensions. Function  $\text{arrayInit}(m, n)$  returns an array of  $m$  rows and  $n$  columns, when  $n$  is not specified, it returns a 1-dimensional array of size  $m$ . The returned array is filled with 0.

```

input : An automaton  $\mathcal{A} = \langle Q = \{q_i \mid i \in [1; n]\}, q_0, \Sigma = \Sigma_u \cup \Sigma_c, \delta, F \rangle$ 
output : The set  $\Sigma_c^n$  as defined in Section 3.2
1 reachable  $\leftarrow$   $\text{arrayInit}(n, n)$ ;
2 lasts  $\leftarrow$   $\text{arrayInit}(n)$ ;
3  $\Sigma_c^n \leftarrow \{\epsilon\}$ ;
4 for  $i \leftarrow 1$  to  $n$  do
5   | reachable $[i, i] \leftarrow 1$ ;
6   | lasts $[i] \leftarrow q_i$ ;
7 end
8 foreach  $c \in \Sigma_c$  do
9   |  $\Sigma_c^n \leftarrow \Sigma_c^n \cup \text{compute}\Sigma_c^n\text{Rec}(\mathcal{A}, c, \text{reachable}, \text{lasts})$ ;
10 end

```

**Algorithm 1:** Algorithm for computing  $\Sigma_c^n$

```

input : An automaton  $\mathcal{A} = \langle Q = \{q_i \mid i \in [1; n]\}, q_0, \Sigma = \Sigma_u \cup \Sigma_c, \delta, F \rangle$ ,
reachable, lasts as defined in Algorithm 1,  $w \in \Sigma_c^*$ 
output : The set of all the extensions of  $w$  that belong to  $\Sigma_c^n$ 
1 Function  $\text{compute}\Sigma_c^n\text{Rec}(\mathcal{A}, w, \text{reachable}, \text{lasts})$ :
2    $\Sigma_c^n \leftarrow \emptyset$ ;
3   foreach  $c \in \Sigma_c$  do
4     | reachableAfter  $\leftarrow$  reachable;
5     | for  $i \leftarrow 1$  to  $n$  do
6       | let  $j \in [1; n]$  be such that lasts $[i]$  after  $c = q_j$ ;
7       | reachableAfter $[i, j] \leftarrow 1$ ;
8       | lastsAfter $[i] \leftarrow q_j$ ;
9     | end
10    | if reachableAfter  $\neq$  reachable then
11      |  $\Sigma_c^n \leftarrow \Sigma_c^n \cup \{w\} \cup$ 
12        |  $\text{compute}\Sigma_c^n\text{Rec}(\mathcal{A}, w \cdot c, \text{reachableAfter}, \text{lastsAfter})$ ;
13    | end
14  end
15  return  $\Sigma_c^n$ ;

```

**Algorithm 2:** Function  $\text{compute}\Sigma_c^n\text{Rec}$

Algorithm 1 first initialises  $\Sigma_c^n$  to  $\{\epsilon\}$ . Then, the two arrays **reachable** and **lasts** are initialised accordingly, i.e. **reachable** is filled with 0, with 1 on the diagonal, and **lasts** $[i]$  is  $q_i$ . Words are then added to  $\Sigma_c^n$  by calling the recursive function  $\text{compute}\Sigma_c^n\text{Rec}$  described in Algorithm 2. The array **reachable** is an array of size  $n \times n$ , where  $n = |Q|$ , such that **reachable** $[i, j]$  is equal to 1 if there is a prefix  $w'$  of  $w$  such that  $q_i$  after  $w' = q_j$ , and 0 otherwise. The array **lasts** is an array of size  $n$ , such that



for all  $i \in [1; n]$ ,  $\text{lasts}[i] = q_i$  after  $w$ . The function considers recursively all the extensions of  $w$ , and add them to  $\Sigma_c^n$  until the array `reachable` stabilises, and then returns the computed  $\Sigma_c^n$ .

The worst-case complexity of Algorithm 1 in terms of assignments is at most  $2n + |\Sigma_c|^{n^2-n}$ , where  $n = |Q|$ . Justification of this complexity and termination is given in appendix B.1.

The following algorithms define the primitives of an enforcement mechanism. A state of the enforcement mechanism is represented by a tuple in  $V \times V \times \Sigma_c^* \times \Sigma^* \times \Sigma^*$ , where  $V$  is the set of nodes of the graph  $\mathcal{G}$  defined in Definition 3.7. The first node represents the node reached by the output of the enforcement (real node), the second one is the strategy node, i.e. the first winning node that can be reached by outputting some events of the buffer, or the node reached by outputting all the buffer if such a node does not exist, the third member is the buffer of the controllable events that have not been output yet, the fourth member is the input, and the fifth is the output.

The first function is `enforcerInit` (not provided here, due to the lack of space), that returns the initial state of the enforcer, i.e.  $\langle\langle q_0, \epsilon \rangle, \langle q_0, \epsilon \rangle, \epsilon, \epsilon, \epsilon \rangle$ .

```

input : A state  $\langle\langle q_r, b_r, 0 \rangle, \langle q_s, b_s, 0 \rangle, b, i, o \rangle$  of the enforcer, an event  $e \in \Sigma$ 
output : The state of the enforcer after having received  $e$ 
1 Function enforcerEventReceived ( $\langle\langle q_r, b_r, 0 \rangle, \langle q_s, b_s, 0 \rangle, b, i, o \rangle, e \rangle$ ):
2   if  $e \in \Sigma_c$  then
3     if  $b_r \cdot e \in \Sigma_c^n$  then
4        $r \leftarrow \langle q_r, b_r \cdot e, 0 \rangle$ ;
5     else
6        $r \leftarrow \langle q_r, b_r, 0 \rangle$ ;
7     end
8      $w \leftarrow \min_{\preceq} (\{w' \preceq b \mid \langle q_r \text{ after } e \text{ after } w', \max_{\preceq} (\{w'' \preceq w'^{-1} \cdot b \mid w'' \in \Sigma_c^n\}, 0) \in W_0\} \cup \{b\})$ ;
9      $s \leftarrow \langle q_s \text{ after } w, w^{-1} \cdot (b_s \cdot e), 0 \rangle$ ;
10    return  $(r, s, b \cdot e, i, o)$ ;
11  else /*  $e \in \Sigma_u$  */
12     $r \leftarrow \langle q_r \text{ after } e, b_r, 0 \rangle$ ;
13     $w \leftarrow \min_{\preceq} (\{w' \preceq b \mid \langle q_r \text{ after } e \text{ after } w', \max_{\preceq} (\{w'' \preceq w'^{-1} \cdot b \mid w'' \in \Sigma_c^n\}, 0) \in W_0\} \cup \{b\})$ ;
14     $s \leftarrow \langle q_r \text{ after } e \text{ after } w, \max_{\preceq} (\{w' \preceq w^{-1} \cdot b \mid w' \in \Sigma_c^n\}, 0) \rangle$ ;
15    return  $(r, s, b, i, e, o, e)$ ;
16  end
17 end
    
```

**Function** `enforcerEventReceived`(state, event)

Function `enforcerEventReceived` computes the next state of the enforcer after the reception of an event. If the event is controllable, then only the strategy node is updated; if the event is uncontrollable, then it is immediately emitted and the real node is changed accordingly, then the strategy node is computed from this new node. The complexity of this function is linear in the size of the buffer.

Function `enforcerGetStrat` returns the strategy to follow. If the strategy node is ahead of the real node, and it is a winning node, then the strategy is to emit the first event of the buffer. Otherwise, the strategy is not to emit. This function has a constant complexity.

Function `enforcerEmit` emits the first event of the buffer. The real node is updated accordingly, and the strategy node is unchanged except if the real node caught up with it (i.e. they are equal), in which case the strategy node is updated accordingly. The complexity of this function is linear in the size of the buffer.

```

input : A state  $(r, s, b, i, o)$  of the enforcer
output : EMIT if it is possible to emit some controllable events, DONTEMIT otherwise
1 Function enforcerGetStrat ( $(r, s, b, i, o)$ ):
2   if  $r \neq s$  and  $s \in W_0$  then
3      $\text{strat} \leftarrow \text{EMIT}$ ;
4   else
5      $\text{strat} \leftarrow \text{DONTEMIT}$ ;
6   end
7   return  $\text{strat}$ ;
8 end
    
```

**Function** `enforcerGetStrat`(state)

```

input : A state  $\langle\langle q_r, b_r, 0 \rangle, \langle q_s, b_s, 0 \rangle, e, b, i, o \rangle$  of the enforcer, where  $e \in \Sigma_c$  and  $b \in \Sigma_c^*$ 
output : The state of the enforcer after having emitted the first controllable event of its buffer
1 Function enforcerEmit ( $\langle\langle q_r, b_r, 0 \rangle, \langle q_s, b_s, 0 \rangle, e, b, i, o \rangle$ ):
2    $s \leftarrow \langle q_s, b_s, 0 \rangle$ ;
3    $r \leftarrow \langle q_r \text{ after } e, b, 0 \rangle$ ;
4    $w \leftarrow \min_{\preceq} (\{w' \preceq b \mid \langle q_r \text{ after } e \text{ after } w', \max_{\preceq} (\{w'' \preceq w'^{-1} \cdot b \mid w'' \in \Sigma_c^n\}, 0) \in W_0\} \cup \{b\})$ ;
5    $s \leftarrow \langle q_r \text{ after } e \text{ after } w, \max_{\preceq} (\{w' \preceq w^{-1} \cdot b \mid w' \in \Sigma_c^n\}, 0) \rangle$ ;
6   return  $(r, s, b, i, o, e)$ 
7 end
    
```

**Function** `enforcerEmit`(state)

```

input : A property  $\varphi$ , described by an automaton  $\mathcal{A}$ , the game graph  $\mathcal{G}$  associated to  $\varphi$ , the input sequence of events, through the function read()
output : The output of the enforcer mechanism
1  $\text{EM} \leftarrow \text{enforcerInit}(\mathcal{A}, \mathcal{G}_i)$ ;
2 while The input sequence has not been read entirely do
3    $e \leftarrow \text{read}()$ ;
4    $\text{EM} \leftarrow \text{enforcerEventReceived}(\text{EM}, e)$ ;
5   while enforcerGetStrat( $\text{EM}$ ) = EMIT do
6      $\text{EM} \leftarrow \text{enforcerEmit}(\text{EM})$ ;
7   end
8 end
    
```

**Algorithm 3:** Main algorithm to enforce a property

Algorithm 3 describes the main algorithm that uses all these functions to actually enforce a property. It needs one more function: `read()` which returns the next input event. The algorithm first creates an enforcement monitor for the given property with `enforcerInit`, then all the events from the input are read with function `read`, and fed to the enforcer with function `enforcerEventReceived`. Then, the enforcer emits a maximal number of events from its buffer with `enforcerEmit`, i.e. until `enforcerGetStrat` indicates that it should not emit. Note that emitting events is done by adding the events to the output of the enforcer. The complexity of this algorithm between two calls to `read` is linear in the size of the buffer, and thus does not depend on the size of the automaton.

## 4.2 Implementation

We implemented the algorithms in the C programming language. Our tool takes as input a file describing an automaton, and reads the events from its standard input. It outputs information on the evolution of the state of the enforcement mechanism as well as a summary of the execution when it has ended on its standard output. This approach allows us to adapt easily the tool in order to use it

with off-the-shelf applications. The tool first creates the game graph from the automaton, then solves the Büchi game on it. Then, the enforcement mechanism is initialised, and then used to compute the controllable events that can be emitted. When the end of the input is reached, the tool displays first the input of the enforcement mechanism, then its output and the remaining events of its buffer at the end of the the execution. Last, it displays a verdict indicating whether the execution ended in an accepting state of the automaton.

*Performance Analysis.* We provide some execution times of our tool, running on the example given in the paper ( $\varphi_{ex}$ ). We evaluated it on 20 randomly selected inputs of 20 events each. Table 2 shows the inputs and the corresponding mean times taken by the enforcement mechanism to compute its output after each event. The times are given in nanoseconds. The means have been computed over 100 iterations. The inputs are abbreviated: *w* stands for *Write*, *f* for *LockOff*, *n* for *LockOn*, and *a* for *Auth*. The results have been obtained using a computer running Ubuntu 16.04 with a 3.40 GHz Intel Core i7 CPU with 16 GB RAM.

## 5 RELATED WORK AND DISCUSSION

Runtime enforcement was pioneered by the work of Schneider with security automata [9], a runtime mechanism for enforcing safety properties. In [9], monitors are able to stop the execution of the system once a deviation of the property has been detected. Later, Ligatti et al. proposed edit-automata [6], a more powerful model of enforcement monitors able to insert and suppress events from the execution, thus permitting to enforce non-safety properties. Later, Falcone et al. proposed more general models where the monitors can be synthesised from regular properties [5]. Another recent approach by Dolzhenko et al. [4] introduces Mandatory Result Automata (MRAs). MRAs extend edit-automata by refining the input-output relationship of an enforcement mechanism and thus allowing a more precise description of the enforcement abilities of an enforcement mechanism in concrete application scenarios. All these approaches do not consider uncontrollable events.

Basin et al. [2] introduced uncontrollable events for security automata [9]. The approach in [2] allows to enforce safety properties where some of the events in the specification are uncontrollable. More recently, they proposed a more general approach [1] related to enforcement of security policies with controllable and uncontrollable events. They presented several complexity results and how to synthesise enforcement mechanisms, but no implementation tool is provided.

To our knowledge, two runtime enforcement methods using games have been proposed. In [3], Bloem et al. focus on enforcement of safety properties for reactive hardware systems, i.e. systems with boolean signals as inputs and outputs. They propose a method based on a 2-players safety games in order to synthesise a variant of an enforcement monitor called a *safety shield* and present a tool implementing this approach. This shield ensures correctness (i.e. soundness), and minimum interference according to a notion of distance permitting to measure the deviation between the output and the input of the shield. More recently, Wu et al. propose in [10] to improve the algorithm of [3] in the way that it takes the best recovery strategy among all possible ones, permitting to minimise the deviation, especially in case of burst errors. These two approaches

consider only safety properties and do not support uncontrollable events.

## 6 CONCLUSION AND FUTURE WORK

This paper revisits the work done in [8] and introduces another way to compute the behaviour of the defined enforcement mechanisms in case of uncontrollable events using a Büchi game. Thus, we define enforcement monitors at two levels of abstraction, one is functional and the second operational. As in [8], we consider that some events are uncontrollable, meaning that they are only observable by the enforcement monitor, that must output them when they are received. We introduce a different way to compute the behaviour of the enforcement mechanism using a Büchi game. that is equivalent to the behaviour of the enforcement mechanism described in [7]. Given a property, we build a graph over which we solve a Büchi game representing the behaviour of the enforcement mechanism. Even though this graph should have an infinite number of vertices, it is possible to reduce it to a finite number, which allows us to store it. The behaviour of the enforcement mechanism only depends on the “current” vertex in the graph. When receiving an event, the enforcement mechanism only updates the current vertex by following some path in the graph, instead of computing again the set of winning configurations. This reduces the time spent in computing the behaviour of the enforcement mechanism, which is one of the main inconvenience when using enforcement mechanisms on running systems. Computing and storing the graph allows us to compute offline the behaviour of the enforcement mechanism and then to use an online enforcement mechanism with best performances. use the enforcement mechanism online with , which allows us to use devices with very little computational power as enforcement mechanisms. We also provide an new way to describe soundness, compliance and optimality with a global view of the system based on inputs and outputs, and we present an implementation tool showing the effectiveness of the approach.

As a future work, we intend to investigate enforcement of timed properties using timed games. An extension of this work could be to use this method to enforce timed properties, as it is done in [7]. The graph would be bigger due to the presence of clocks in the automaton, but performances should be improved. The gain in computation would be higher, and this would even be more interesting in this setting since it might allow to enforce timed properties with devices with little computational power.

## REFERENCES

- [1] Basin, D., Jugé, V., Klaedtke, F., Zălinescu, E.: Enforceable security policies revisited. *ACM Trans. Inf. Syst. Secur.* 16(1), 3:1–3:26 (Jun 2013), <http://doi.acm.org/10.1145/2487222.2487225>
- [2] Basin, D., Klaedtke, F., Zălinescu, E.: Algorithms for monitoring real-time properties. In: Khurshid, S., Sen, K. (eds.) *Proceedings of the 2nd International Conference on Runtime Verification (RV 2011)*. Lecture Notes in Computer Science, vol. 7186, pp. 260–275. Springer-Verlag (2011)
- [3] Bloem, R., Könighofer, B., Könighofer, R., Wang, C.: Shield synthesis: - runtime enforcement for reactive systems. In: *Tools and Algorithms for the Construction and Analysis of Systems - 21st International Conference, TACAS 2015, Held as Part of the European Joint Conferences on Theory and Practice of Software, ETAPS 2015, London, UK, April 11–18, 2015*. *Proceedings*. pp. 533–548 (2015)
- [4] Dolzhenko, E., Ligatti, J., Reddy, S.: Modeling runtime enforcement with mandatory results automata. *International Journal of Information Security* 14(1), 47–60 (Feb 2015), <http://dx.doi.org/10.1007/s10207-014-0239-8>
- [5] Falcone, Y., Mounier, L., Fernandez, J., Richier, J.: Runtime enforcement monitors: composition, synthesis, and enforcement abilities. *Formal Methods in*

**Table 2: Table of the mean execution times of our tool for different inputs**

Input	Times																			
f n a w w w a a a w a w a w f n w w n n	724	515	355	275	318	287	677	471	321	253	592	233	453	230	500	437	231	241	555	607
f f n n w f a w n w f a f f n n a w n f	707	534	364	423	251	345	435	222	314	285	794	389	337	320	328	321	319	244	453	969
n n w n f n a n n n a w w f a a n w n f	726	507	257	470	336	282	424	278	268	428	305	218	290	617	372	312	316	241	436	495
a a f a a a w n f f w n f w f a a a n a	700	498	394	414	281	320	545	292	320	427	322	288	279	282	273	275	274	301	383	314
n w f a n f n w a f n a a w f a a w w	728	307	505	460	310	294	412	216	299	317	425	285	277	276	279	610	368	310	238	379
a w f w a w a a a w w f a a n n w n a	689	617	464	459	318	432	364	287	307	426	285	276	317	274	267	293	287	217	437	318
n w a a n a n f n f n w w f n a n w f	692	304	472	452	313	275	417	308	277	442	300	281	216	293	610	370	317	312	243	562
a a f f w a a n a n a n a n w f w a n	677	502	392	429	468	346	354	273	314	413	271	278	264	263	278	221	450	324	377	318
w a n n a f n n w f f a a f w w f w f n	74	1309	432	421	293	444	353	272	222	621	288	274	275	275	326	289	272	309	380	315
n w f w a f n w n w n w f w n a a a f a	710	302	492	221	452	317	351	347	591	256	586	226	453	224	453	428	402	396	458	516
a w a w n a f a n n w w f w f n n w n	680	620	405	461	344	342	405	281	316	432	223	254	571	300	283	303	283	383	286	365
w n f w w a n w n w n n f f f w w n f	77	1010	501	246	426	629	454	336	420	240	617	414	401	386	380	379	230	244	531	663
a a n a n n f f n a a f w n a a w f f n	690	506	379	513	326	333	388	293	306	421	292	284	470	287	280	278	224	474	394	320
f a f w a a w a n n n f a a a f n n	735	503	374	363	422	283	405	221	288	323	428	282	285	279	276	272	268	291	315	379
n n n w w w w w f w n f w n w n w n f f	712	503	335	283	314	286	262	329	788	255	668	459	230	478	228	492	229	515	565	635
a a a a w w f f a f f f w n f n f n a	679	512	345	409	483	369	430	315	309	434	294	279	295	287	290	287	287	311	387	320
n f w n f n a a n w a n w n w w f a w w	711	529	258	478	330	290	422	278	280	217	462	278	276	599	254	240	501	420	232	368
f f n a w a f w f a a n a a n w n f	704	519	352	418	240	230	365	394	278	630	513	325	328	305	297	318	237	236	497	528
w a n a w w w n a w n f f f w f n n w	106	1320	447	438	226	247	324	352	714	458	388	475	1077	312	282	346	374	432	324	204
a n n f f f n n f w a f w w f n f n n	678	527	342	439	299	331	359	276	306	598	348	278	355	283	283	282	272	306	380	308

System Design 38(3), 223–262 (2011)

[6] Ligatti, J., Bauer, L., Walker, D.: Run-time enforcement of nonsafety policies. *ACM Trans. Inf. Syst. Secur.* 12(3), 19:1–19:41 (Jan 2009)

[7] Renard, M., Falcone, Y., Rollet, A.: Optimal Enforcement of (Timed) Properties with Uncontrollable Events (Feb 2016), <https://hal.archives-ouvertes.fr/hal-01262444>, working paper or preprint

[8] Renard, M., Falcone, Y., Rollet, A., Pinisetty, S., Jéron, T., Marchand, H.: Enforcement of (timed) properties with uncontrollable events. In: Leucker, M., Rueda, C., Valencia, F.D. (eds.) *Theoretical Aspects of Computing - ICTAC 2015. Lecture Notes in Computer Science*, vol. 9399, pp. 542–560. Springer International Publishing (2015)

[9] Schneider, F.B.: Enforceable security policies. *ACM Trans. Inf. Syst. Secur.* 3(1), 30–50 (Feb 2000)

[10] Wu, M., Zeng, H., Wang, C.: Synthesizing runtime enforcer of safety properties under burst error. In: *8th NASA Formal Methods Symposium NFM16*. Minneapolis, USA (June 2016)

## A PROOFS OF SECTION 3

In all this section, we will use the notations from Section 3, meaning that  $\varphi$  is a property whose associated automaton is  $\mathcal{A}_\varphi = \langle Q, q_0, \Sigma, \rightarrow, F \rangle$ . In some proofs, we also use notations from Definition 3.10. We also use a functional notation of enforcement functions, i.e. for an enforcement function  $E$  and a word  $\sigma \in \Sigma^*$ , we write  $E(\sigma) = \sigma'$  whenever  $(\sigma, \sigma') \in E$ .

**PROPOSITION 3.13.**  $E_\varphi$  is an enforcement function as per Definition 3.1.

**PROOF.** Let us consider  $\sigma \in \Sigma^*$ , and  $\sigma' \in \Sigma^*$ . If  $\sigma' = \epsilon$ , then  $E_\varphi(\sigma) = E_\varphi(\sigma.\sigma') \preceq E_\varphi(\sigma.\sigma')$ . Otherwise, let us consider  $(\sigma_s, \sigma_c) = \text{store}_\varphi(\sigma)$ ,  $a = \sigma'(1)$ , and  $(\sigma_t, \sigma_d) = \text{store}_\varphi(\sigma.a)$ . Then, if  $a \in \Sigma_u$ ,  $\sigma_t = \sigma_s.a.\sigma'_s$ , where  $\sigma'_s$  is defined in Definition 3.10, meaning that  $\sigma_s \preceq \sigma_t$ . If  $a \in \Sigma_c$ , then  $\sigma_t = \sigma_s.\sigma''_s$ , where  $\sigma''_s$  is defined in Definition 3.10, thus again,  $\sigma_s \preceq \sigma_t$ . In both cases,  $E_\varphi(\sigma) = \sigma_s \preceq \sigma_t = E_\varphi(\sigma.a)$ . Since the order  $\preceq$  is transitive, this means that  $E_\varphi(\sigma) \preceq E_\varphi(\sigma.a) \preceq E_\varphi(\sigma.a.\sigma'(2)) \preceq \dots \preceq E_\varphi(\sigma.\sigma')$ . Thus  $E_\varphi$  is an enforcement function.  $\square$

**LEMMA A.1.**  $\forall q \in Q, \forall w \in \Sigma_c^n$ ,  
 $\langle \langle q, w, 1 \rangle \in W_0 \wedge \langle q, w, 1 \rangle, \langle q', w', l \rangle \in E \rangle \implies \langle q', w', l \rangle \in W_0$ .

**PROOF.**  $W_0$  is the winning set of the Büchi game for  $P_0$ .  $\square$

**LEMMA A.2.**  $\forall q \in Q, \forall \sigma \in \Sigma_c^n$ ,  
 $\langle q, \sigma, 0 \rangle \in W_0 \implies G(q, \sigma) \neq \emptyset$ .

**PROOF.** Let us consider  $q \in Q$  and  $\sigma \in \Sigma_c^n$  such that  $\langle q, \sigma, 0 \rangle \in W_0$ . Then, since  $\langle q, \sigma, 0 \rangle$  is a vertex that belongs to  $P_0$  that is winning (since it is in  $W_0$ ), this means that there is a winning strategy for  $P_0$  in the Büchi game. Thus, there is a path in  $\mathcal{G}$  that allows us  $P_0$  to reach a Büchi state, that is a state in  $F \times \Sigma_c^n \times \{0, 1\}$ , whatever the strategy of  $P_1$  is. The strategy of  $P_0$  is to follow vertices that are only in  $W_0$  until it finally reaches a Büchi state. The construction of  $W_0$  ensures that this is possible. Now, the only edges that leave a vertex belonging to  $P_0$  are the ones corresponding to the action of emitting the first of the stored controllable events, or not emitting it and let  $P_1$  play. Thus, if  $\langle q, \sigma, 0 \rangle \in W_0$ , this means that there is a path in the graph that leads to a state in  $F \times \Sigma_c^n \times \{0\}$  such that all the vertices along the path belong to  $P_0$  and are in  $W_0$ . This holds because there is a path in  $W_0$  to such a state, and if a state of the path belongs to  $P_1$ , then the strategy of  $P_1$  could be to go back to the previous vertex belonging to  $P_0$ , and thus there could be an infinite loop in these two vertices, meaning that they are in  $F \times \Sigma_c^n \times \{0, 1\}$  or that from the previous state belonging to  $P_0$ , emitting the first stored controllable event is a winning strategy. Thus, there exists  $w \preceq \sigma$  such that  $q$  after  $w \in F$  and  $\langle q \text{ after } w, w^{-1}.\sigma, 0 \rangle \in W_0$ . Now, since  $\Sigma_c^n$  is finite, it is possible to choose  $w$  such that  $\langle q \text{ after } w, w^{-1}.\sigma, 1 \rangle \in W_0$ , because otherwise, the only possible strategy would be to emit from every vertex, but it is not possible from vertices whose second member is  $\epsilon$ , and then the only possible strategy would lead to a vertex not in  $W_0$ , meaning that the original vertex would not be in  $W_0$ , which is absurd. Thus,  $G(q, \sigma) \neq \emptyset$ .  $\square$

**LEMMA A.3.**  $\forall \sigma \in \Sigma^*$ ,  
 $(\sigma \notin \text{Pre}(\varphi) \wedge (\sigma_s, \sigma_c) = \text{store}_\varphi(\sigma)) \implies (\sigma_s = \sigma|_{\Sigma_u} \wedge \sigma_c = \sigma|_{\Sigma_c})$ .

**PROOF.** For  $\sigma \in \Sigma^*$ , let  $P(\sigma)$  be the predicate “ $(\sigma \notin \text{Pre}(\varphi) \wedge (\sigma_s, \sigma_c) = \text{store}_\varphi(\sigma)) \implies (\sigma_s = \sigma|_{\Sigma_u} \wedge \sigma_c = \sigma|_{\Sigma_c})$ ”. Let us show by induction that  $P(\sigma)$  holds for any  $\sigma \in \Sigma^*$ .

• **Induction basis:**  $\text{store}_\varphi(\epsilon) = (\epsilon, \epsilon)$ , and since  $\epsilon|_{\Sigma_u} = \epsilon|_{\Sigma_c} = \epsilon$ ,  $P(\epsilon)$  holds.

• **Induction step:** let us suppose that for  $\sigma \in \Sigma^*$ ,  $P(\sigma)$  holds. Let us then consider  $a \in \Sigma$ ,  $(\sigma_s, \sigma_b) = \text{store}_\varphi(\sigma)$ , and  $(\sigma_t, \sigma_d) = \text{store}_\varphi(\sigma.a)$ . Then, if  $\sigma.a \in \text{Pre}(\varphi)$ ,  $P(\sigma.a)$  holds. Let us now consider that  $\sigma.a \notin \text{Pre}(\varphi)$ . Then, since  $\text{Pre}(\varphi)$  is extension-closed,  $\sigma \notin \text{Pre}(\varphi)$ , and thus, by induction hypothesis,  $\sigma_s = \sigma|_{\Sigma_u}$  and  $\sigma_c = \sigma|_{\Sigma_c}$ . We consider two cases:

Case 1:  $a \in \Sigma_u$ , then  $\sigma_t = \sigma_s.a.\sigma'_s$ , with  $\sigma'_s \in G(\text{Reach}(\sigma_s.a), \sigma_c) \cup \{\epsilon\}$ . Since  $\sigma.a \notin \text{Pre}(\varphi)$ ,  $G(\text{Reach}((\sigma.a)|_{\Sigma_u}), (\sigma.a)|_{\Sigma_c}) = \emptyset$ . Moreover, since  $a \in \Sigma_u$ ,  $(\sigma.a)|_{\Sigma_u} = \sigma|_{\Sigma_u}.a = \sigma_s.a$  and  $(\sigma.a)|_{\Sigma_c} = \sigma|_{\Sigma_c} = \sigma_c$ , thus  $G(\text{Reach}(\sigma_s.a), \sigma_c) = \emptyset$ . It follows that  $\sigma'_s \in \{\epsilon\}$ , meaning that  $\sigma_t = \sigma_s.a = \sigma|_{\Sigma_u}.a = (\sigma.a)|_{\Sigma_u}$ , and  $\sigma_d = \sigma_s'^{-1}.\sigma_c = \sigma_c = \sigma|_{\Sigma_c} = (\sigma.a)|_{\Sigma_c}$ .

Case 2:  $a \in \Sigma_c$ , then  $\sigma_t = \sigma_s.\sigma''_s$ , with  $\sigma''_s \in G(\sigma_s, \sigma_c.a) \cup \{\epsilon\}$ . Since  $\sigma.a \notin \text{Pre}(\varphi)$ ,  $G(\text{Reach}((\sigma.a)|_{\Sigma_u}), (\sigma.a)|_{\Sigma_c}) = \emptyset$ . Moreover, since  $a \in \Sigma_c$ ,  $(\sigma.a)|_{\Sigma_u} = \sigma|_{\Sigma_u} = \sigma_s$  and  $(\sigma.a)|_{\Sigma_c} = \sigma|_{\Sigma_c}.a = \sigma_c.a$ . Thus,  $G(\text{Reach}(\sigma_s), \sigma_c.a) = \emptyset$ , meaning that  $\sigma''_s = \epsilon$ . Thus,  $\sigma_t = \sigma_s = \sigma|_{\Sigma_u} = (\sigma.a)|_{\Sigma_u}$  and  $\sigma_d = \sigma_s'^{-1}.\sigma_c.a = \sigma_c.a = \sigma|_{\Sigma_c}.a = (\sigma.a)|_{\Sigma_c}$ .

In both cases,  $P(\sigma.a)$  holds.

By induction on  $\sigma \in \Sigma^*$ , for all  $\sigma \in \Sigma^*$ , if  $\sigma \notin \text{Pre}(\varphi)$  and  $(\sigma_s, \sigma_c) = \text{store}_\varphi(\sigma)$ , then  $\sigma_s = \sigma|_{\Sigma_u}$  and  $\sigma_c = \sigma|_{\Sigma_c}$ .  $\square$

**PROPOSITION 3.14.**  $E_\varphi$  is sound with respect to  $\varphi$  in  $\text{Pre}(\varphi)$ , as per Definition 3.2.

**PROOF.** Let  $P(\sigma)$  be the predicate: “ $(\sigma \in \text{Pre}(\varphi) \wedge (\sigma_s, \sigma_c) = \text{store}_\varphi(\sigma)) \implies (E_\varphi(\sigma) \models \varphi \wedge \langle \text{Reach}(\sigma_s), \max_{\preceq}(\{w \preceq \sigma_c \mid w \in \Sigma_c^n\}), 1 \rangle \in W_0)$ ”. Let us prove by induction that for any  $\sigma \in \Sigma^*$ ,  $P(\sigma)$  holds.

• **Induction basis:** if  $\epsilon \in \text{Pre}(\varphi)$ , then following the definition of  $\text{Pre}(\varphi)$ ,  $G(\text{Reach}(\epsilon), \epsilon) \neq \emptyset$ . Thus  $\epsilon \in G(\text{Reach}(\epsilon), \epsilon)$  (since  $\epsilon$  is the only word satisfying  $\epsilon \preceq \epsilon$ ). This means that  $\text{Reach}(\epsilon)$  after  $\epsilon = \text{Reach}(\epsilon) \in F$ . Considering that  $\text{store}_\varphi(\epsilon) = (\epsilon, \epsilon)$ , it follows that  $E_\varphi(\epsilon) = \epsilon$ , and thus,  $E_\varphi(\epsilon) \models \varphi$ . Moreover, since  $\epsilon \in G(\text{Reach}(\epsilon), \epsilon)$ ,  $\langle \text{Reach}(\epsilon)$  after  $\epsilon, \max_{\preceq}(\{w \preceq \epsilon^{-1}.\epsilon \mid w \in \Sigma_c^n\}), 1 \rangle \in W_0$ . Thus  $P(\epsilon)$  holds.

• **Induction step:** Suppose now that, for  $\sigma \in \Sigma^*$ ,  $P(\sigma)$  holds. Let us consider  $a \in \Sigma$ ,  $(\sigma_s, \sigma_c) = \text{store}_\varphi(\sigma)$ , and  $(\sigma_t, \sigma_d) = \text{store}_\varphi(\sigma.a)$ . Let us prove that  $P(\sigma.a)$  holds. We consider three different cases:

Case 1:  $(\sigma.a) \notin \text{Pre}(\varphi)$ . Then  $P(\sigma.a)$  holds.

Case 2:  $(\sigma.a) \in \text{Pre}(\varphi) \wedge \sigma \notin \text{Pre}(\varphi)$ . Then, since  $\text{Pre}(\varphi)$  is extension-closed, it follows that  $\sigma.a \in \{w \in \Sigma^* \mid G(\text{Reach}(w|_{\Sigma_u}), w|_{\Sigma_c}) \neq \emptyset\}$ , meaning that  $G(\text{Reach}((\sigma.a)|_{\Sigma_u}), (\sigma.a)|_{\Sigma_c}) \neq \emptyset$ . Moreover, since  $\sigma \notin \text{Pre}(\varphi)$ , following lemma A.3,  $\sigma_s = \sigma|_{\Sigma_u}$  and  $\sigma_c = \sigma|_{\Sigma_c}$ . Now, we consider two cases:

– If  $a \in \Sigma_u$ , then  $(\sigma.a)|_{\Sigma_u} = \sigma|_{\Sigma_u}.a = \sigma_s.a$ , and  $(\sigma.a)|_{\Sigma_c} = \sigma|_{\Sigma_c} = \sigma_c$ , thus  $G(\text{Reach}(\sigma_s.a), \sigma_c) \neq \emptyset$ , meaning that  $\sigma'_s = (\sigma_s.a)^{-1}.\sigma_t \in G(\text{Reach}(\sigma_s.a), \sigma_c)$ .

Thus, following the definition of  $G$ ,  $\text{Reach}(\sigma_s.a)$  after  $\sigma'_s = \text{Reach}(\sigma_s.a.\sigma'_s) = \text{Reach}(\sigma_t) \in F$ , and  $\langle \text{Reach}(\sigma_s.a)$  after  $\sigma'_s, \max_{\preceq}(\{w \preceq \sigma'^{-1}_s \cdot (\sigma_c) \mid w \in \Sigma_c^n\}), 1 \rangle = \langle \text{Reach}(\sigma_t), \max_{\preceq}(\{w \preceq \sigma_d \mid w \in \Sigma_c^n\}), 1 \rangle \in W_0$ . Since  $\text{Reach}(\sigma_t) \in F$ ,  $E_\varphi(\sigma.a)i = \sigma_t \models \varphi$ . This means that  $P(\sigma.a)$  holds.

- If  $a \in \Sigma_c$ , then  $(\sigma.a)|_{\Sigma_u} = \sigma|_{\Sigma_u} = \sigma_s$ , and  $(\sigma.a)|_{\Sigma_c} = \sigma|_{\Sigma_c}.a = \sigma_c.a$ . Thus,  $G(\text{Reach}(\sigma_s), \sigma_c.a) \neq \emptyset$ , meaning that  $\sigma'_s = \sigma_s^{-1}.\sigma_t \in G(\text{Reach}(\sigma_s), \sigma_c.a)$ . As in the case where  $a \in \Sigma_u$ , it follows that  $\langle \text{Reach}(\sigma_t), \max_{\preceq}(\{w \preceq \sigma_d \mid w \in \Sigma_c^n\}), 1 \rangle \in W_0$  and thus  $E_\varphi(\sigma.a) \models \varphi$ . This means that  $P(\sigma.a)$  holds.

Thus, if  $\sigma.a \in \text{Pre}(\varphi)$  but  $\sigma \notin \text{Pre}(\varphi)$ ,  $P(\sigma.a)$  holds.

Case 3:  $\sigma \in \text{Pre}(\varphi)$  (and then  $(\sigma.a) \in \text{Pre}(\varphi)$  since  $\text{Pre}(\varphi)$  is extension-closed). Then, by induction hypothesis,  $P(\sigma)$  holds, meaning that  $E_\varphi(\sigma) \models \varphi$  and  $\langle \text{Reach}(\sigma_s), \max_{\preceq}(\{w \preceq \sigma_c \mid w \in \Sigma_c^n\}), 1 \rangle \in W_0$ . Let us note  $\sigma_c^m = \max_{\preceq}(\{w \preceq \sigma_c \mid w \in \Sigma_c^n\})$ . Again, we consider two cases:

- If  $a \in \Sigma_u$ , then, since  $\langle \text{Reach}(\sigma_s), \sigma_c^m, 1 \rangle \in W_0$ , following lemma A.1, since  $\langle \text{Reach}(\sigma_s), \sigma_c^m, 1 \rangle, \langle \text{Reach}(\sigma_s)$  after  $a, \sigma_c^m, 0 \rangle \in E_3 \subseteq E$ ,  $\langle \text{Reach}(\sigma_s)$  after  $a, \sigma_c^m, 0 \rangle = \langle \text{Reach}(\sigma_s.a), \sigma_c^m, 0 \rangle \in W_0$ . Following lemma A.2, this means that  $G(\text{Reach}(\sigma_s.a), \sigma_c) \neq \emptyset$ , thus  $\sigma'_s = (\sigma_s.a)^{-1}.\sigma_t \in G(\text{Reach}(\sigma_s.a), \sigma_c)$ . It follows that  $\text{Reach}(\sigma_s.a.\sigma'_s) = \text{Reach}(\sigma_t) \in F$ , and that  $\langle \text{Reach}(\sigma_s.a)$  after  $a, \max_{\preceq}(\{w \preceq \sigma'^{-1}_s \cdot \sigma_c \mid w \in \Sigma_c^n\}), 1 \rangle = \langle \text{Reach}(\sigma_t), \max_{\preceq}(\{w \preceq \sigma_d \mid w \in \Sigma_c^n\}), 1 \rangle \in W_0$ . Thus,  $E_\varphi(\sigma.a) = \sigma_t \models \varphi$ . Thus  $P(\sigma.a)$  holds.
- If  $a \in \Sigma_c$ , then, since  $\langle \text{Reach}(\sigma_s), \sigma_c^m, 1 \rangle \in W_0$  and  $\langle \text{Reach}(\sigma_s), \sigma_c^m, 1 \rangle, \langle \text{Reach}(\sigma_s), \max_{\preceq}(\{w \preceq \sigma_c.a \mid w \in \Sigma_c^n\}), 0 \rangle \in E_4 \cup E_5 \subseteq E$ , following lemma A.2, this means that  $G(\text{Reach}(\sigma_s), \sigma_c.a) \neq \emptyset$ . Thus,  $\sigma'_s = \sigma_s^{-1}.\sigma_t \in G(\text{Reach}(\sigma_s), \sigma_c.a)$ . As in the previous case, this means that  $E_\varphi(\sigma.a) = \sigma_t \models \varphi$  and  $\langle \text{Reach}(\sigma_t), \max_{\preceq}(\{w \preceq \sigma_d \mid w \in \Sigma_c^n\}), 1 \rangle \in W_0$ . Thus  $P(\sigma.a)$  holds.

Thus, if  $\sigma \in \text{Pre}(\varphi)$ ,  $P(\sigma.a)$  holds.

In all cases,  $P(\sigma.a)$  holds. Thus,  $P(\sigma) \implies P(\sigma.a)$ .

By induction on  $\sigma$ ,  $\forall \sigma \in \Sigma^*$ ,  $(\sigma \in \text{Pre}(\varphi) \wedge (\sigma_s, \sigma_b) = \text{store}_\varphi(\sigma)) \implies (E_\varphi(\sigma) \models \varphi \wedge \langle \text{Reach}(\sigma_s), \sigma_c, 1 \rangle \in W_0)$ . In particular, for all  $\sigma \in \Sigma^*$ ,  $(\sigma \in \text{Pre}(\varphi)) \implies (E_\varphi(\sigma) \models \varphi)$ . This means that  $E_\varphi$  is sound with respect to  $\varphi$  in  $\text{Pre}(\varphi)$ .  $\square$

**PROPOSITION 3.15.**  $E_\varphi$  is compliant, as per Definition 3.3.

**PROOF.** For  $\sigma \in \Sigma^*$ , let  $P(\sigma)$  be the predicate: “ $((\sigma_s, \sigma_c) = \text{store}_\varphi(\sigma)) \implies (\sigma_s|_{\Sigma_c}.\sigma_c = \sigma|_{\Sigma_c} \wedge \sigma_s|_{\Sigma_u} = \sigma|_{\Sigma_u})$ ”. Let us prove that for all  $\sigma \in \Sigma^*$ ,  $P(\sigma)$  holds.

- *Induction basis:*  $\text{store}_\varphi(\epsilon) = (\epsilon, \epsilon)$ , and  $\epsilon|_{\Sigma_c} = \epsilon|_{\Sigma_c}.\epsilon$ , and  $\epsilon|_{\Sigma_u} = \epsilon|_{\Sigma_u}$ . Thus  $P(\epsilon)$  holds.
- *Induction step:* Let us suppose that for  $\sigma \in \Sigma^*$ ,  $P(\sigma)$  holds. Let us consider  $(\sigma_s, \sigma_c) = \text{store}_\varphi(\sigma)$ ,  $a \in \Sigma$ , and  $(\sigma_t, \sigma_d) = \text{store}_\varphi(\sigma.a)$ . Let us prove that  $P(\sigma.a)$  holds.

Case 1:  $a \in \Sigma_u$ . Then,  $\sigma_t = \sigma_s.a.\sigma'_s$ , where  $\sigma'_s$  is defined in Definition 3.10, and  $\sigma_t.\sigma_d = \sigma_s.a.\sigma_c$ . Therefore,  $\sigma_t|_{\Sigma_c}.\sigma_d =$

$(\sigma_t.\sigma_d)|_{\Sigma_c}$ , since  $\sigma_d \in \Sigma_c^*$ . Thus,  $\sigma_t|_{\Sigma_c}.\sigma_d = \sigma_s|_{\Sigma_c}.\sigma_c$ . Since  $P(\sigma)$  holds,  $\sigma_t|_{\Sigma_c}.\sigma_d = \sigma|_{\Sigma_c} = (\sigma.a)|_{\Sigma_c}$ .

Moreover, since  $\sigma'_s \in \Sigma_c^*$ ,  $\sigma_t|_{\Sigma_u} = \sigma_s|_{\Sigma_u}.a$ . Since  $P(\sigma)$  holds, this means that  $\sigma_t|_{\Sigma_u} = \sigma|_{\Sigma_u}.a = (\sigma.a)|_{\Sigma_u}$ .

Thus  $P(\sigma.a)$  holds.

Case 2:  $a \in \Sigma_c$ . Then  $\sigma_t = \sigma_s.\sigma'_s$ , where  $\sigma'_s$  is defined in Definition 3.10, and  $\sigma_t.\sigma_d = \sigma_s.\sigma_c.a$ . Therefore,  $\sigma_t|_{\Sigma_c}.\sigma_d = (\sigma_t.\sigma_d)|_{\Sigma_c} = (\sigma_s.\sigma_c.a)|_{\Sigma_c} = \sigma_s|_{\Sigma_c}.\sigma_c.a$ . Since  $P(\sigma)$  holds, this means that  $\sigma_t|_{\Sigma_c}.\sigma_d = \sigma|_{\Sigma_c}.a = (\sigma.a)|_{\Sigma_c}$ .

Moreover, since  $\sigma'_s \in \Sigma_c^*$ ,  $\sigma_t|_{\Sigma_u} = \sigma_s|_{\Sigma_u}$ . Since  $P(\sigma)$  holds, this means that  $\sigma_t|_{\Sigma_u} = \sigma|_{\Sigma_u} = (\sigma.a)|_{\Sigma_u}$ .

Thus  $P(\sigma.a)$  holds.

In both cases,  $P(\sigma.a)$  holds.

Thus, for all  $\sigma \in \Sigma^*$ , for all  $a \in \Sigma$ ,  $P(\sigma) \implies P(\sigma.a)$ .

By induction on  $\sigma$ , for all  $\sigma \in \Sigma^*$ ,  $((\sigma_s, \sigma_c) = \text{store}_\varphi(\sigma)) \implies (\sigma_s|_{\Sigma_c}.\sigma_c = \sigma|_{\Sigma_c} \wedge \sigma_s|_{\Sigma_u} = \sigma|_{\Sigma_u})$ .

Moreover, if  $\sigma \in \Sigma^*$ ,  $u \in \Sigma_u$ ,  $(\sigma_s, \sigma_c) = \text{store}_\varphi(\sigma)$ , and  $(\sigma_t, \sigma_d) = \text{store}_\varphi(\sigma.u)$ , then  $\sigma_t = \sigma_s.u.\sigma'_s$ , where  $\sigma'_s$  is defined in Definition 3.10. Thus  $\sigma_s.u \preceq \sigma_t$ , and since  $\sigma_s = E_\varphi(\sigma)$ , and  $\sigma_t = E_\varphi(\sigma.u)$ , it follows that  $E_\varphi(\sigma).u \preceq E_\varphi(\sigma.u)$ .

Thus, for all  $\sigma \in \Sigma^*$ ,  $E_\varphi(\sigma)|_{\Sigma_c} \preceq \sigma|_{\Sigma_c} \wedge E_\varphi(\sigma)|_{\Sigma_u} = \sigma|_{\Sigma_u} \wedge \forall u \in \Sigma_u, E_\varphi(\sigma).u \preceq E_\varphi(\sigma.u)$ , meaning that  $E_\varphi$  is compliant.  $\square$

**PROPOSITION 3.16.**  $E_\varphi$  is optimal in  $\text{Pre}(\varphi)$ , as per Definition 3.4.

**PROOF.** Let  $E$  be an enforcement function such that  $\text{compliant}(E, \Sigma_c, \Sigma_u)$  holds, and let us consider  $\sigma \in \text{Pre}(\varphi)$  and  $a \in \Sigma$  such that  $E(\sigma) = E_\varphi(\sigma)$  and  $|E(\sigma.a)| > |E_\varphi(\sigma.a)|$ . Let us also consider  $(\sigma_s, \sigma_c) = \text{store}_\varphi(\sigma)$ . Let us show that there exists  $\sigma_u \in \Sigma_u^*$  such that  $E(\sigma.a.\sigma_u) \not\models \varphi$ . We consider two cases:

Case 1:  $a \in \Sigma_u$ . Then, since  $E$  is compliant, and  $E(\sigma) = E_\varphi(\sigma) = \sigma_s$ , there exists  $\sigma_{s1} \preceq \sigma_c$  such that  $E(\sigma.a) = E(\sigma).a.\sigma_{s1} = \sigma_s.a.\sigma_{s1}$ . Moreover, there exists  $\sigma'_s \preceq \sigma_c$  such that  $E_\varphi(\sigma.a) = E_\varphi(\sigma).a.\sigma'_s = \sigma_s.a.\sigma'_s$ . Since  $|E(\sigma.a)| > |E_\varphi(\sigma.a)|$ ,  $|\sigma_{s1}| > |\sigma'_s|$ . Considering that  $\sigma'_s = \max_{\preceq}(G(\text{Reach}(\sigma_s.a), \sigma_c) \cup \{\epsilon\})$ , it follows that  $\sigma_{s1} \notin G(\text{Reach}(\sigma_s.a), \sigma_c)$ . Following the definition of  $G$ , this means that either  $\sigma_{s1} \not\preceq \sigma_c$ ;  $\text{Reach}(\sigma_s.a)$  after  $\sigma_{s1} \notin F$ ; or that  $\langle \text{Reach}(\sigma_s.a)$  after  $\sigma_{s1}, \sigma_{s1}^{-1}.\sigma_c, 1 \rangle \notin W_0$ . Since  $E'$  is compliant,  $\sigma_{s1} \preceq \sigma_c$ , thus at least one of the two last conditions holds. If  $\text{Reach}(\sigma_s.a)$  after  $\sigma_{s1} = \text{Reach}(\sigma_s.a.\sigma_{s1}) = \text{Reach}(E(\sigma.a)) \notin F$ , then  $E(\sigma.a) \not\models \varphi$ . Otherwise,  $\langle \text{Reach}(\sigma_s.a)$  after  $\sigma_{s1}, \sigma_{s1}^{-1}.\sigma_c, 1 \rangle \notin W_0$ . Then,  $\langle \text{Reach}(\sigma_s.a) \cdot \sigma_{s1}, \sigma_{s1}^{-1}.\sigma_c, 1 \rangle \in W_1$ , meaning that  $P_1$  has a winning strategy. Since receiving controllable events only helps  $P_0$  to win, this means that there exists an uncontrollable event  $u \in \Sigma_u$  such that  $\langle \text{Reach}(\sigma_s.a.\sigma_{s1})$  after  $u, \sigma_{s1}^{-1}.\sigma_c, 0 \rangle \in W_1$ . Then, since  $W_1$  is the set of winning vertices for  $P_1$ ,  $\langle \text{Reach}(E(\sigma.a.u)), E(\sigma.a.u)|_{\Sigma_c}^{-1} \cdot (\sigma.a.u)|_{\Sigma_c}, 1 \rangle \in W_1$ . Then again, there exists an uncontrollable event  $u'$  such that the output of  $E$  after receiving it reaches a vertex in  $W_1$  again. In the end, it is possible to reach a vertex that is not a Büchi state (i.e. in  $F \times \Sigma_c^n \times \{0, 1\}$ ), and that is in  $W_1$ . Thus, there exists  $\sigma_u \in \Sigma_u^*$  such that  $\text{Reach}(E(\sigma.a.\sigma_u)) \notin F$ , meaning that  $E(\sigma.a.\sigma_u) \not\models \varphi$ .

Case 2:  $a \in \Sigma_c$ . The proof is the same as in the case where  $a \in \Sigma_u$ , by replacing occurrences of “ $\sigma_s.a$ ” by “ $\sigma_s$ ”, and occurrences of “ $\sigma_c$ ” by “ $\sigma_c.a$ ”.

Thus, if  $E$  is an enforcement function such that there exists  $\sigma \in \text{Pre}(\varphi)$ , and  $a \in \Sigma$  such that  $\text{compliant}(E, \Sigma_u, \Sigma_c)$ ,  $E(\sigma) = E_\varphi(\sigma)$ , and  $|E(\sigma.a)| > |E_\varphi(\sigma.a)|$ , then there exists  $\sigma_u \in \Sigma_u^*$  such that  $E(\sigma.a.\sigma_u) \not\models \varphi$ .

This means that  $E_\varphi$  is optimal in  $\text{Pre}(\varphi)$ .  $\square$

**PROPOSITION 3.18.** *The output of the enforcement monitor  $\mathcal{E}$  for input  $\sigma$  is  $E_\varphi(\sigma)$ .*

**PROOF.** Let us introduce some notation for this proof: for a word  $w \in \Gamma^{\mathcal{E}^*}$ , we note  $\text{input}(w) = \Pi_1(w(1)).\Pi_1(w(2)) \dots \Pi_1(w(|w|))$ , the word obtained by concatenating the first members (the inputs) of  $w$ . In a similar way, we note  $\text{output}(w) = \Pi_3(w(1)) \dots \Pi_3(w(|w|))$ , the word obtained by concatenating all the third members (outputs) of  $w$ . Since all configurations are not reachable from  $c_0^{\mathcal{E}}$ , for  $w \in \Gamma^{\mathcal{E}^*}$ , we note  $\text{Reach}(w) = c$  whenever  $c_0^{\mathcal{E}} \xrightarrow{w}_{\mathcal{E}} c$ , and  $\text{Reach}(w) = \perp$  if such a  $c$  does not exist. We also define the Rules function as follows:

$$\text{Rules} : \begin{cases} \Sigma^* \rightarrow \Gamma^{\mathcal{E}^*} \\ \sigma \mapsto \max_{\preceq} (\{w \in \Gamma^{\mathcal{E}^*} \mid \text{input}(w) = \sigma \wedge \text{Reach}(w) \neq \perp\}) \end{cases}$$

For a word  $\sigma \in \Sigma^*$ ,  $\text{Rules}(\sigma)$  is the trace of the longest valid run in  $\mathcal{E}$ , i.e. the sequence of all the rules that can be applied with input  $\sigma$ . We then extend the definition of output to words in  $\Sigma^*$ : for  $\sigma \in \Sigma^*$ ,  $\text{output}(\sigma) = \text{output}(\text{Rules}(\sigma))$ . We also note  $\epsilon$  the empty word of  $\Sigma^*$ , and  $\epsilon^{\mathcal{E}}$  the empty word of  $\Gamma^{\mathcal{E}^*}$ .

For  $\sigma \in \Sigma^*$ , let  $P(\sigma)$  be the predicate: “ $E_\varphi(\sigma) = \text{output}(\sigma) \wedge ((\sigma_s, \sigma_c) = \text{store}_\varphi(\sigma) \wedge \text{Reach}(\text{Rules}(\sigma)) = \langle q, \sigma_c^{\mathcal{E}} \rangle) \implies (q = \text{Reach}(\sigma_s) \wedge \sigma_c = \sigma_c^{\mathcal{E}})$ ”.

Let us prove by induction that for all  $\sigma \in \Sigma^*$ ,  $P(\sigma)$  holds.

- *Induction basis:*  $E_\varphi(\epsilon) = \epsilon = \text{output}(\epsilon)$ . Moreover,  $\text{store}_\varphi(\epsilon) = (\epsilon, \epsilon)$ , and  $\text{Reach}(\epsilon^{\mathcal{E}}) = c_0^{\mathcal{E}}$ . Therefore, as  $c_0^{\mathcal{E}} = \langle q_0, \epsilon \rangle$ ,  $P(\epsilon)$  holds, because  $\text{Reach}(\epsilon) = q_0$ .
- *Induction step:* Let us suppose now that for some  $\sigma \in \Sigma^*$ ,  $P(\sigma)$  holds. Let us consider  $(\sigma_s, \sigma_c) = \text{store}_\varphi(\sigma)$ ,  $q = \text{Reach}(\sigma_s)$ ,  $a \in \Sigma$ , and  $(\sigma_t, \sigma_d) = \text{store}_\varphi(\sigma.a)$ . Let us prove that  $P(\sigma.a)$  holds.

Since  $P(\sigma)$  holds,  $\text{Reach}(\text{Rules}(\sigma)) = \langle q, \sigma_c \rangle$  and  $\sigma_s = \text{output}(\sigma)$ . We consider two cases:

Case 1:  $a \in \Sigma_u$ . Then, considering  $\sigma'_s = (\sigma_s.a)^{-1}.\sigma_t$ ,  $\sigma_t = \sigma_s.a.\sigma'_s$ . Since  $a \in \Sigma_u$ , rule *pass-uncont* can be applied: let us consider  $q' = q$  after  $a$ . Then,  $\langle q, \sigma_c \rangle \xrightarrow{a/\text{pass-uncont}(a)/a}_{\mathcal{E}} \langle q', \sigma_c \rangle$ . Then, if  $\sigma'_s = \epsilon$ ,  $G(q', \sigma_c) = \emptyset$  or  $G(q', \sigma_c) = \{\epsilon\}$ , meaning that no other rule can be applied, and thus  $P(\sigma.a)$  would hold. Otherwise,  $\sigma'_s \neq \epsilon$ , and thus  $\sigma'_s \in G(q', \sigma_c)$ , meaning that  $G(q', \sigma_c) \neq \emptyset$  and  $G(q', \sigma_c) \neq \{\epsilon\}$ , thus rule *dump*( $\sigma_c(1)$ ) can be applied. Since  $\sigma'_s \preceq \sigma_c$ ,  $\sigma'_s(1) = \sigma_c(1)$ , thus if  $q_1 = q'$  after  $\sigma_c(1)$ ,  $q_1 = q'$  after  $\sigma'_s(1)$ . If  $\sigma'_s(1)^{-1}.\sigma'_s \neq \epsilon$ , then  $\sigma'_s(1)^{-1}.\sigma'_s \in G(q_1, \sigma_c(1)^{-1}.\sigma_c)$ , meaning that rule *dump* can be applied again. Rule *dump* can actually be applied  $|\sigma'_s|$  times, since for all  $w \preceq \sigma'_s$ , if  $w \neq \sigma'_s$ , then  $w^{-1}.\sigma'_s \neq \epsilon$  and  $w^{-1}.\sigma'_s \in$

$G(q'$  after  $w, w^{-1}.\sigma_c)$ . Thus, after rule *dump* has been applied  $|\sigma'_s|$  times, the configuration reached is  $\langle q'$  after  $\sigma'_s, \sigma'_s^{-1}.\sigma_c \rangle$ . Moreover, the output produced by all the rules *dump* is  $\sigma'_s$ . Since no rule can be applied after the  $|\sigma'_s|$  applications of the rule *dump*,  $\text{output}(\sigma.a) = \text{output}(\sigma).a.\sigma'_s = \sigma_t$ , and  $\text{Reach}(\text{Rules}(\sigma.a)) = \langle q'$  after  $\sigma'_s, \sigma'_s^{-1}.\sigma_c \rangle = \langle q$  after  $a$  after  $\sigma'_s, \sigma_d \rangle = \langle \text{Reach}(\sigma_s)$  after  $a$  after  $\sigma'_s, \sigma_d \rangle = \langle \text{Reach}(\sigma_s.a.\sigma'_s), \sigma_d \rangle = \langle \text{Reach}(\sigma_t), \sigma_d \rangle$ . Thus, if  $a \in \Sigma_u$ ,  $P(\sigma.a)$  holds.

Case 2:  $a \in \Sigma_c$ . Then, considering  $\sigma''_s = \sigma_s^{-1}.\sigma_t$ ,  $\sigma_t = \sigma_s.\sigma''_s$ . Since  $a \in \Sigma_c$ , it is possible to apply the *store-cont* rule, and  $\langle q, \sigma_c \rangle$  after  $a/\text{store-cont}(a)/\epsilon = \langle q, \sigma_c.a \rangle$ . Then as in the case where  $a \in \Sigma_u$ , rule *dump* can be applied  $|\sigma''_s|$  times, meaning that the configuration reached would then be  $\langle q$  after  $(\sigma_c.a)(1) \dots (\sigma_c.a)(|\sigma''_s|)$ ,  $(\sigma_c.a)(|\sigma''_s| + 1) \dots (\sigma_c.a)(|\sigma''_s| + 2) \dots (\sigma_c.a)(|\sigma_c.a|)$ . Since  $\sigma''_s \preceq \sigma_c.a$ ,  $(\sigma_c.a)(1) \dots (\sigma_c.a)(|\sigma''_s|) = \sigma''_s$ , thus  $\text{Reach}(\text{Rules}(\sigma.a)) = \langle q$  after  $\sigma''_s, \sigma''_s^{-1}.\sigma_c.a \rangle = \langle \text{Reach}(\sigma_t), \sigma_d \rangle$ . Moreover,  $\text{output}(\sigma.a) = \text{output}(\sigma).\sigma''_s = \sigma_s.\sigma''_s = \sigma_t = E_\varphi(\sigma.a)$ .

Thus, if  $a \in \Sigma_c$ ,  $P(\sigma.a)$  holds.

This means that  $P(\sigma) \implies P(\sigma.a)$ .

Thus, by induction on  $\sigma$ , for all  $\sigma \in \Sigma^*$ ,  $P(\sigma)$  holds. In particular, for all  $\sigma \in \Sigma^*$ ,  $E_\varphi(\sigma) = \text{output}(\sigma)$ .  $\square$

## B PROOFS OF SECTION 4

### B.1 Proofs of termination and complexity

Algorithm 1 terminates because the array `reachable` contains only 0 and 1, and in `compute $\Sigma_c^n$ Rec`, all the subsequent arrays contain more 1 than the previous ones. Since `reachable` is finite, there exists only a finite number of arrays that can be considered in this way, and thus the array stabilises at some point. Since  $\Sigma_c$  is finite, the algorithm terminates.

Let us now compute the worst-case complexity of Algorithm 1 in terms of assignments. The loop starting in line 4 makes  $2n$  assignments, and the one starting in line 8 makes  $|\Sigma_c|$  assignments, and calls  $|\Sigma_c|$  times function `compute $\Sigma_c^n$ Rec`. Let us compute the worst-case complexity of function `compute $\Sigma_c^n$ Rec`. The loop starting in line 5 makes  $2n$  assignments, since it is possible to compute  $j$  in constant time (the automaton is deterministic and complete). The assignment in line 4 makes  $n^2$  assignments, and there is another assignment in line 10. Thus, the loop starting in line 3 makes  $|\Sigma_c| * (n^2 + 2n + 1)$  assignments, which is the complexity of the function. Now, since the first parameter of all the recursive calls is always the same, and the complexity depends only on it, the number of calls made to `compute $\Sigma_c^n$ Rec` only depends on the depth of the call stack. The algorithm terminates when `reachable` stabilises, which must occur in at most  $n^2 - n$  calls, since this is the number of 0s present in `reachable` at the beginning. Thus, the depth of the call stack is bounded by  $n^2 - n$ . Thus, the worst-case complexity of Algorithm 1 is at most  $2n + |\Sigma_c|^{n^2 - n}$ . Note that this complexity is computed considering that initialisations have a complexity of 0.

The complexities of the other algorithms are straightforward.