



HAL
open science

A highly adaptable probabilistic model for self-diagnosis of GPON-FTTH access network

Serge Romaric Tembo Mouafo, Sandrine Vaton, Jean-Luc Courant, Stephane
Gosselin

► **To cite this version:**

Serge Romaric Tembo Mouafo, Sandrine Vaton, Jean-Luc Courant, Stephane Gosselin. A highly adaptable probabilistic model for self-diagnosis of GPON-FTTH access network. SoftCOM 2016 : 24th International Conference on Software, Telecommunications and Computer Networks, Sep 2016, Split, Croatia. pp.1 - 5, 10.1109/SOFTCOM.2016.7772106 . hal-01424652

HAL Id: hal-01424652

<https://hal.science/hal-01424652>

Submitted on 2 Jan 2017

HAL is a multi-disciplinary open access archive for the deposit and dissemination of scientific research documents, whether they are published or not. The documents may come from teaching and research institutions in France or abroad, or from public or private research centers.

L'archive ouverte pluridisciplinaire **HAL**, est destinée au dépôt et à la diffusion de documents scientifiques de niveau recherche, publiés ou non, émanant des établissements d'enseignement et de recherche français ou étrangers, des laboratoires publics ou privés.

A highly adaptable probabilistic model for self-diagnosis of GPON-FTTH access network

Serge Romaric Tembo
Orange Labs
Lannion, France
sergeromarc.tembomouafo
@orange.com

Sandrine Vatou
T el ecom Bretagne
Brest, France
sandrine.vatou
@telecom-bretagne.eu

Jean-Luc Courant
Orange Labs
Lannion, France
jeanluc.courant
@orange.com

St ephane Gosselin
Orange Labs
Lannion, France
stephane.gosselin
@orange.com

Abstract—Model-based approaches for self-diagnosing of telecommunication networks develop reasonings based on formal and explicit representation of network structure and network behavior. Network behavior modeling is a central issue for these methods. In a recent work, we have proposed a model of architecture and fault propagation of the FTTH (Fiber To The Home) access networks based on GPON (Gigabit capable Passive Optical Network). This model is based on a Bayesian network which encodes expert knowledge about the transport network and the connection network of subscribers. In this paper we extend this model by designing a model of the distribution network which fits to the various engineering techniques of the GPON-FTTH network. We carried out self-diagnosis of an operating GPON-FTTH network based on these two models. The performance of self-diagnostic of the new model is evaluated with respect to the previous model of the GPON-FTTH network.

I. INTRODUCTION

Network behavior modeling is a central issue for model-based approaches [1] [2] [3] [4] [5] [6] of self-diagnosis of telecommunication networks. Indeed, carrying out self-diagnosis of a telecommunication network with a model-based approach requires building an explicit representation of network architecture and network behavior. Network architecture describes physical interconnections between network components. Network behavior, also called fault propagation, describes how faults and alarms propagate through the distributed network architecture. Network structure and network behavior are then modeled [7]. The obtained model is the support of reasoning algorithms which must be designed. The model based approach is easy to deploy and is appropriate for a large scale network if information on network resources is available [16].

In [8], we have proposed a model of fault propagation in GPON-FTTH (Gigabit Passive Optical Network-Fiber To The Home) access networks. This model is based on a Bayesian network [9]. This model embeds modularity and extensibility properties which facilitate adding a new network component to the model or removing a network component from the model. Dependencies of the Bayesian network encode expert knowledge acquired from ITU-T standards [10] [11] about the transport network and the connection network of subscribers. A causal graph models the chain of dependencies between faults or root causes, intermediate faults and observed alarms.

Conditional probability distributions quantify the strength of dependencies between nodes and their parents in the graph [12]. In [8] we obtained good results of self-diagnosis of the GPON-FTTH access network carried out with this model. This model correlates malfunctions and alarms of the transport network with those of the connection network. We called this model M_0 , the initial model of the GPON-FTTH network.

Since our main goal is to carry out efficient self-diagnosis of the GPON-FTTH network, in this article, we extend the initial model M_0 by designing the model of the Optical Distribution Network (ODN) of the GPON-FTTH network. This ODN model is a new component easily added to the initial model thanks to modularity and extensibility properties of the initial model. The ODN model designed in this paper fits to the various engineering techniques of the GPON-FTTH network. The new model M_1 obtained models the full chain of dependencies between faults or root causes, intermediate faults and observed alarms. The correlation of malfunctions and alarms is no longer limited to the transport network and the connection network, but also includes now the distribution network.

We start this paper by recalling in Section 2 the description and the formalism of the initial model. Section 3 deals with the designing of a highly adaptable model of the optical distribution network of the GPON-FTTH access network. We evaluate this model by carrying out self-diagnosis of an operating GPON-FTTH access network in Section 4. Section 5 concludes this work.

II. THE MODEL OF THE GPON-FTTH NETWORK

The initial model of the GPON-FTTH access network designed in [8] is based on a generic model [8] of telecommunication networks. The generic model is based on a very simple principle. Model the behavior of a telecommunication network amounts to model the behavior of components that constitute it. Each network component is modeled by two Directed Acyclic Graphs (DAG). One DAG (Layer 2 DAG) that models local fault propagation on the considered component. Another DAG (Layer 1 DAG) that models fault propagation between this component and components which are connected to it. Distributed fault propagation occurs between linked network components. By separating local fault propagation modeling

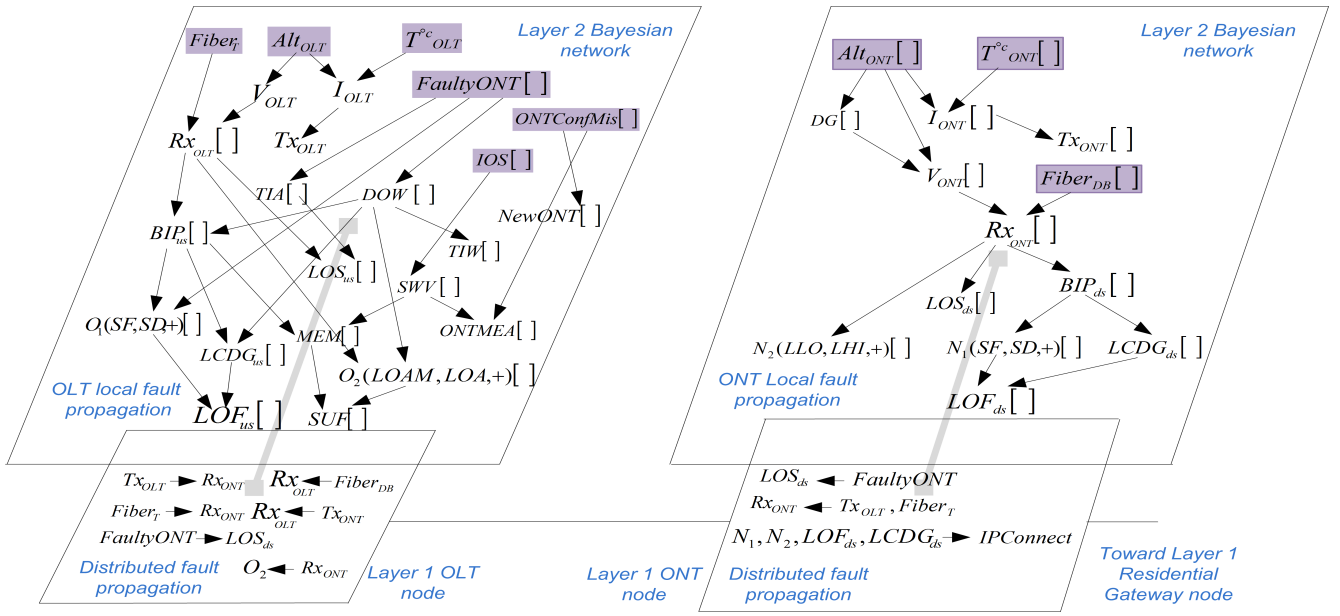


Fig. 1. The GPON-FTTH model based on the generic model

from distributed fault propagation modeling, the generic model also models network topology. The fault propagation model on a large scale telecommunication network of n components is decomposed in $2n$ sub DAGs interconnected [8]. This decomposition brings two useful easy self-reconfiguration properties to the model: modularity and extensibility.

Figure 1 presents the application of the generic layered model [8] for modeling of the topology and the behavior of a Passive Optical network (PON) of the GPON-FTTH access network. A PON is a point-to-multipoint link through the ODN. A PON has a tree-like topology which connects an Optical Network Terminal (OLT) with a maximum of 64 Optical Network Terminals (ONTs) in our example (see figure 2). Each ONT is connected to an RG (Residential Gateway) via an Ethernet link. Since there is no interaction between PONs, and all PONs have the same behavior, we modeled one single PON. This model can be replicated to any PON of a GPON-FTTH access network. Figure 2 shows a simple engineering of a PON.

Figure 1 is the initial model called M_0 . The model M_0 includes the main component of the transport network called (OLT) and the main component of the connection network called ONT. Some variables called layer 2 nodes are vectors in order to respect the tree-like topology of a PON. We have three types of layer 2 nodes on figure 1: faults or root causes, intermediate faults and alarms. The root causes are highlighted on figure 1. The description of graph nodes and dependencies are given in [8]. See also ITU-T standards [10] [11].

III. OPTICAL DISTRIBUTION NETWORK MODELING

We propose in this section, a model of the ODN network of the GPON-FTTH access network. This model is a Bayesian network which models dependencies between splitters inside

ODN. The proposed model is highly adaptable since it fits to any engineering technique or configuration of a PON of the GPON-FTTH network.

The engineering of a PON is the physical topology of splitters used to distribute optical power from OLT between ONTs connected to this PON. Note that each PON of a GPON-FTTH network may have a different engineering from those of the others PONs. Figure 2 shows the simplest engineering of a PON. We have only the first splitting level with one splitter used to distribute optical power from feeder fiber to drop fibers. In practice, the engineering of a PON is made of many splitting levels with many interconnected splitters. This diversity of engineering techniques of the distribution network of a PON makes complex its modeling.

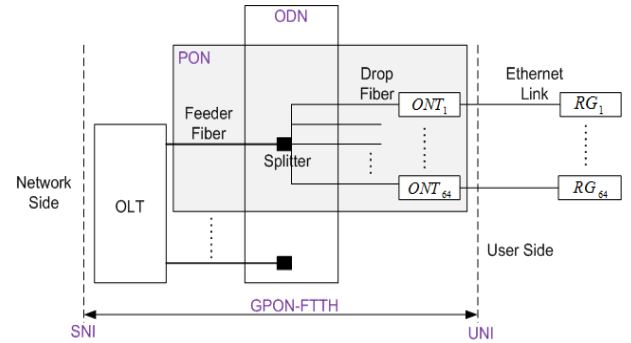


Fig. 2. A simple engineering of the GPON-FTTH network

Nodes and dependencies of the dependency graph of the ODN model are automatically generated by a generic algorithm that we describe and formalize by the figure 3. Nodes of the causal graph are splitters and the dependencies represent optical links between them. The algorithm described and

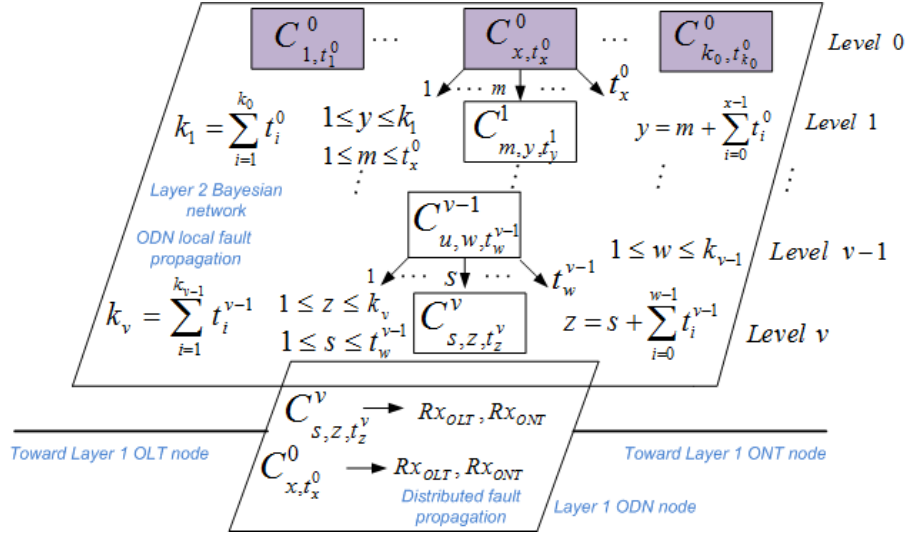


Fig. 3. Model of the optical distribution network of a PON of the GPON-FTTH access network

formalized by the figure 3 requires two input parameters in order to build the ODN model. The first parameter is the ODN engineering, e.g. $[(2,), (2, 2), (16, 16, 16, 16)]$ depicted by the figure 4 is a simple example. In this example, we have three splitting levels. The first splitting level has one splitter with a rate of two. The second splitting level has two splitters both with a rate of two. The last splitting level has four splitters with a rate of sixteen each other. The second parameter is the configuration of links between the last splitting level of the ODN network and the connection network. The second parameter aims to know which drop fibers come from which splitter of the last splitting level.

As designed by the generic model in [8], the ODN model has two layers. The layer 2 is a DAG that models local fault propagation inside the ODN network. The layer 1 DAG models distributed fault propagation between the transport network and the ODN network on the one hand and between the ODN network and the connection network on the other hand.

The ODN network is made of several splitting levels. The layer 2 DAG (see figure 3) of the ODN model is also made of several splitting levels. The first splitting level noted *level 0* on figure 3 has k_0 splitters. Any splitter C^0_{x,t_x^0} , i.e. the x^{th} splitter, distributes optical power from one fiber to t_x^0 fibers numbered from 1 to t_x^0 . Obviously, the first splitting level of the ODN network of a PON of the GPON-FTTH network has only one splitter. But the ODN model proposed assumes that it will exist perhaps in the future, some configurations with more splitters. Any splitter C^l_{p,q,t_q^l} belongs to the splitting level l with $0 < l \leq v$. We note p the fiber number which connects this splitter with the predecessor splitter in the splitting level $l - 1$. We note q and t_q^l respectively as the splitter number in the splitting level l and the rate of this splitter.

For example, each fiber numbered m coming from a splitter C^0_{x,t_x^0} of the first splitting level is linked to a splitter C^1_{m,y,t_y^1} of the second splitting level noted *level 1*. This optical connection

leads to a causal dependency between the two splitters. The index $y \in \{1, \dots, k_1\}$ is the splitter number in the list of all splitters of *level 1*. k_1 is the overall number of splitters of the splitting level *level 1*. k_1 is determined by summing over the rates t_x^0 for $x \in \{1, \dots, k_0\}$. The splitter $C^{v-1}_{u,w,t_w^{v-1}}$ of the penultimate splitting level *level v-1*, distributes optical power to t_w^{v-1} fibers. Each fiber numbered $s \in \{1, \dots, t_w^{v-1}\}$ is linked to a splitter C^v_{s,z,t_z^v} of the last splitting level *level v*.

The last splitting level is the demarcation point between the ODN network and the connection network, i.e. each fiber coming from each splitter C^v_{s,z,t_z^v} of the last splitting level is the drop fiber of an *ONT* connected to the *PON* considered. That is why the state of these splitters impacts the upstream received power $RxOLT$ and the downstream received power $RxONT$. These dependencies so-called distributed dependencies are part of the layer 1 DAG that models distributed fault propagation between ODN network, transport network and connection network. See figure 3.

Note that the combination of figure 1 and figure 3 forms the full model M_1 of fault propagation on a PON of the GPON-FTTH access network. The full model has three components: the transport network component, the distribution network component and the connection network component. Each component i is modeled by two DAGs. A layer 2 DAG L_2N_i and a layer 1 DAG L_1N_i .

$$G = \bigcup_{i=1}^3 L_2N_i \cup L_1N_i \quad (1)$$

The model M_1 is used to carry out self-diagnosis of the GPON-FTTH network. Diagnosis computations are made on the large Bayesian network G defined by equation (1). Diagnosis computations are based on the inference algorithm on the junction tree [13] of the Bayesian network G .

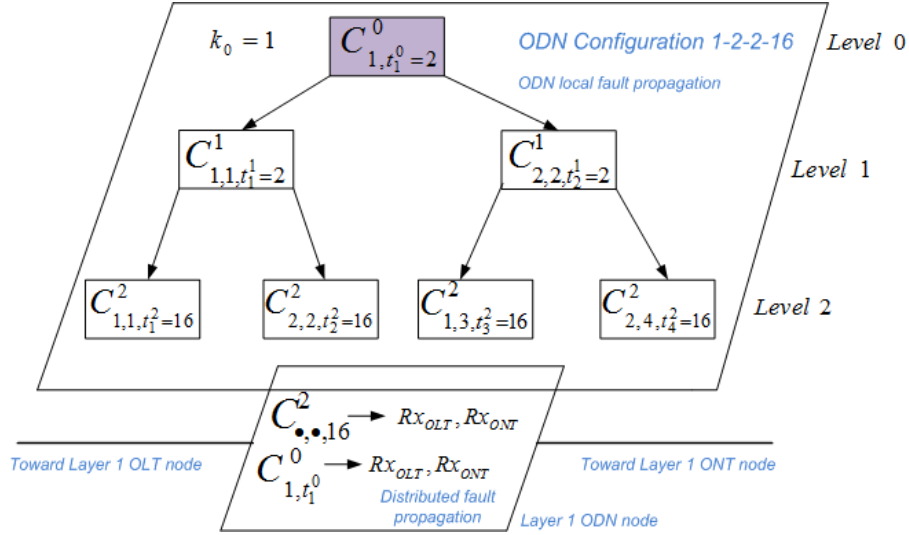


Fig. 4. A simple ODN engineering: [(2), (2, 2), (16, 16, 16, 16)]

IV. SELF-DIAGNOSIS RESULTS OF AN OPERATING GPON-FTTH NETWORK

In this section, we carry out self-diagnosis of an operating GPON-FTTH access network. In order to evaluate the ODN model, the performances of self-diagnosis based on the full model M_1 and those based on the previous model M_0 are evaluated with respect to the GPON-FTTH network. Each table from table I to table V depicts a scenario and shows the beliefs of root cause nodes computed by our Python implementation of both models, based on observed and described evidence in the title of each table. Evidence are observations collected on the network, i.e. alarms, power levels, bit error rate, temperature, voltage, bias current and so on. Note that the figure 4 depicts the ODN configuration of PONs of forty $ONTs$ considered for our experiments. The first ten, the second ten, the third ten and the fourth ten of $ONTs$ are respectively connected to splitters $C^2_{1,1,16}$, $C^2_{2,2,16}$, $C^2_{1,3,16}$ and $C^2_{2,4,16}$ of the last splitting level *level 2*.

TABLE I

PON WITH FORTY $ONTs$. NO ALARM ON THE PON. UPSTREAM AND DOWNSTREAM RECEIVED POWERS $Rx_{OLT}[1]$ AND $Rx_{ONT}[1]$ OF ONT_1 ARE LOW. THE RECEIVED POWER LEVELS $Rx_{OLT}[i]$ AND $Rx_{ONT}[i]$, WITH $i \neq 1$, OF NEIGHBOR $ONTs$ ARE NOMINAL.

Model	Root causes	States	Beliefs
M_0	$Fiber_T$	[OK, AT, BR]	[0.99, 4.e-20, 3.e-22]
	$Fiber_{DB_1}$ (1)	[OK, AT, BR]	[1.e-03, 0.99, 3.e-06]
	$Fiber_{DB_{i \neq 1}}$	[OK, AT, BR]	[0.99, 8.e-02, 2.e-06]
M_1	$Fiber_T$	[OK, AT, BR]	[0.99, 4.e-20, 3.e-22]
	$Fiber_{DB_1}$ (1)	[OK, AT, BR]	[1.e-03, 0.99, 3.e-06]
	$Fiber_{DB_{i \neq 1}}$	[OK, AT, BR]	[0.99, 8.e-02, 3.e-06]
	ODN	[OK, -OK]	[0.99, 1.e-08]

Table I describes a situation for which both models compute the good diagnosis, i.e. attenuation of the drop fiber $Fiber_{DB_1}$ of ONT_1 . Note that OK, AT and BR denote a fiber which does not attenuates, which attenuates or a

broken fiber. The state of the ODN network is good since all fibers and splitters on figure 4 are good, i.e. they correctly distribute optical power without losses. In this scenario the ODN network seems to be transparent as assumed by the model M_0 . Note that we say that a splitter is not good if it distributes optical power with losses or its trunk fiber is broken or experiences attenuation.

TABLE II

PON WITH FORTY $ONTs$. UPSTREAM AND DOWNSTREAM RECEIVED POWERS $Rx_{OLT}[i]$ AND $Rx_{ONT}[i]$ OF ONT_i , FOR $i \in \{1, \dots, 10\}$ ARE LOW, SIGNAL DEGRADED $SD[i]$ ALARMS ARE OBSERVED. THE RECEIVED POWER LEVELS $Rx_{OLT}[j]$ AND $Rx_{ONT}[j]$, FOR $j \in \{11, \dots, 40\}$ OF ONT_j ARE NOMINAL.

Model	Root causes	States	Beliefs
M_0	$Fiber_T$	[OK, AT, BR]	[0.99, 4.e-20, 3.e-22]
	$Fiber_{DB_i}$ (1)	[OK, AT, BR]	[1.e-03, 0.99, 3.e-06]
	$Fiber_{DB_j}$	[OK, AT, BR]	[0.99, 8.e-02, 2.e-06]
M_1	$C^2_{1,1,16}$ (1)	[OK, -OK]	[0.273, 0.727]
	$Fiber_T$	[OK, AT, BR]	[0.99, 4.e-20, 3.e-22]
	$Fiber_{DB_i}$ (2)	[OK, AT, BR]	[0.24, 0.52, 0.24]
	$Fiber_{DB_j}$	[OK, AT, BR]	[0.91, 8.e-02, 2.e-06]

In Table II, the received power levels of all ten $ONTs$ connected to the PON by the drop fibers coming from splitter $C^2_{1,1,16}$ are low while the received power levels of others $ONTs$ connected to the same PON by the drop fibers coming from others splitters are nominal. The Model M_0 diagnoses that each drop fiber coming from splitter $C^2_{1,1,16}$ experiences attenuation. The model M_0 ignores that low received power levels may also due to power loss by the splitter. The model M_1 understands that, the first most probable cause of low received power levels of many $ONTs$ connected to a splitter, is a malfunction of this splitter or attenuation of the trunk fiber of this splitter. Indeed, the model M_1 computes a podium of two probable causes. The second cause is the attenuation of each drop fiber. The diagnosis result of the model M_1 is very useful since it isolates the most propable faulty segment

inside the ODN network. In the situation depicted by table II, a most probable faulty segment is the link between the splitter $C_{1,1,16}^2$ of the last splitting level and the splitter $C_{1,1,2}^1$ of the penultimate splitting level.

TABLE III

PON WITH FORTY $ONTs$. NO ALARM ON THE PON. UPSTREAM AND DOWNSTREAM RECEIVED POWERS $RxOLT[i]$ AND $RxONT[i]$ OF ONT_i , FOR $i \in \{1, \dots, 20\}$ ARE LOW. THE RECEIVED POWER LEVELS $RxOLT[j]$ AND $RxONT[j]$, FOR $j \in \{21, \dots, 40\}$ OF ONT_j ARE NOMINAL.

Model	Root causes	States	Beliefs
M_0	$Fiber_T$	[OK, AT, BR]	[0.99, 4.e-20, 3.e-22]
	$Fiber_{DB_i}$ (1)	[OK, AT, BR]	[1.e-03, 0.99, 3.e-06]
	$Fiber_{DB_j}$	[OK, AT, BR]	[0.99, 8.e-02, 2.e-06]
M_1	$C_{1,1,16}^2$ (1)	[OK, \neg OK]	[0.004, 0.996]
	$C_{2,2,16}^2$ (2)	[OK, \neg OK]	[0.004, 0.996]
	$C_{1,1,2}^1$ (3)	[OK, \neg OK]	[0.010, 0.980]
	$Fiber_T$	[OK, AT, BR]	[0.99, 4.e-20, 3.e-22]
	$Fiber_{DB_i}$ (4)	[OK, AT, BR]	[0.24, 0.52, 0.24]
	$Fiber_{DB_j}$	[OK, AT, BR]	[0.91, 8.e-02, 2.e-06]

Table III describes a situation for which the model M_1 isolates three probable faulty segments inside ODN network. A similar situation is described by the table IV for which the model M_1 isolates two faulty segments inside ODN network.

TABLE IV

PON WITH FORTY $ONTs$. UPSTREAM AND DOWNSTREAM RECEIVED POWERS $RxOLT[i]$ AND $RxONT[i]$ OF ONT_i , FOR $i \in \{1, \dots, 10, 31, \dots, 40\}$ ARE LOW, SIGNAL DEGRADED $SD[i]$ ALARMS ARE OBSERVED. THE RECEIVED POWER LEVELS $RxOLT[j]$ AND $RxONT[j]$, FOR $j \in \{11, \dots, 30\}$ OF ONT_j ARE NOMINAL.

Model	Root causes	States	Beliefs
M_0	$Fiber_T$	[OK, AT, BR]	[0.99, 4.e-20, 3.e-22]
	$Fiber_{DB_i}$ (1)	[OK, AT, BR]	[1.e-03, 0.99, 3.e-06]
	$Fiber_{DB_j}$	[OK, AT, BR]	[0.99, 8.e-02, 2.e-06]
M_1	$C_{1,1,16}^2$ (1)	[OK, \neg OK]	[0.004, 0.996]
	$C_{2,4,16}^2$ (2)	[OK, \neg OK]	[0.004, 0.996]
	$Fiber_T$	[OK, AT, BR]	[0.99, 4.e-20, 3.e-22]
	$Fiber_{DB_i}$ (4)	[OK, AT, BR]	[0.24, 0.52, 0.24]
	$Fiber_{DB_j}$	[OK, AT, BR]	[0.91, 8.e-02, 2.e-06]

TABLE V

PON WITH FORTY $ONTs$. NO ALARM ON THE PON. UPSTREAM AND DOWNSTREAM RECEIVED POWERS $RxOLT[i]$ AND $RxONT[i]$ OF ONT_i , FOR $i \in \{1, \dots, 5, 11, \dots, 15, 21, \dots, 25, 31, \dots, 35\}$ ARE LOW. THE RECEIVED POWER LEVELS $RxOLT[j]$ AND $RxONT[j]$, FOR $j \in \{6, \dots, 10, 16, \dots, 20, 26, \dots, 30, 36, \dots, 40\}$ OF ONT_j ARE NOMINAL.

Model	Root causes	States	Beliefs
M_0	$Fiber_T$	[OK, AT, BR]	[0.99, 4.e-20, 3.e-22]
	$Fiber_{DB_i}$ (1)	[OK, AT, BR]	[1.e-03, 0.99, 3.e-06]
	$Fiber_{DB_j}$	[OK, AT, BR]	[0.99, 8.e-02, 2.e-06]
M_1	C_{\dots}^2	[OK, \neg OK]	[0.955, 0.045]
	$Fiber_T$	[OK, AT, BR]	[0.99, 4.e-20, 3.e-22]
	$Fiber_{DB_i}$ (1)	[OK, AT, BR]	[1.e-03, 0.99, 9.e-05]
	$Fiber_{DB_j}$	[OK, AT, BR]	[0.91, 8.e-02, 2.e-06]

Table V describes a situation for which there are twenty $ONTs$ on the PON with low received power levels. These twenty $ONTs$ are spread over the four splitters of the last splitting level. The model M_1 does not diagnose any splitter as

faulty since each splitter of the last splitting level is connected to some $ONTs$ with low received power levels and some $ONTs$ with nominal received powers. Therefore the ODN network is not faulty in this case. It is rather the connection network which is faulty, .i.e. attenuation of drop fibers of the twenty $ONTs$ with low received power levels.

V. CONCLUSION

We have proposed a model of the optical distribution network (ODN) of a PON of the GPON-FTTH access network. The ODN model is based on a Bayesian network and it fits to any engineering technique of a PON. The causal dependency graph of the Bayesian network is automatically build by a generic algorithm described and formalized in this article. The ODN model proposed forms with the initial model of the transport network and the connection network already designed in a last work, the full model of a PON which models the full chain of dependencies between fault, intermediate fault and observed alarms.

In order to evaluate the benefit of the ODN model, we carried out self-diagnosis of an operating GPON-FTTH network. The performances of self-diagnosis based on the full model of the GPON-FTTH network are evaluated with respect to those based on the initial model. There are some cases where the diagnosis was not exactly the same. Most of the time, the full model isolates a faulty link inside the ODN network.

REFERENCES

- [1] B. Gruschke, "Integrated event management: Event correlation using dependency graphs," A.S. Sethi (Ed.), *Ninth International Workshop on Distributed Systems: Operations and Management, University of Delaware, Newark, DE*, vol. 87, pp. 130–141, October 1998.
- [2] S. Kätker, "A modeling framework for integrated distributed systems fault management," *Proc. IFIP/IEEE International Conference on Distributed Platforms, Dresden, Germany*, pp. 187–198, 1995.
- [3] K. Houck, S. Calo, and A. Finkel, "Towards a practical alarm correlation system," in *Proceedings of the fourth international symposium on Integrated network management*, 1995, pp. 226–237.
- [4] J. F. Jordaan and M. E. Paterok, "Event correlation in heterogeneous networks using the OSI management framework," in *Proceedings of the third international symposium on Integrated network management*, 1993, pp. 683–695.
- [5] S. Kätker and K. Geihs, "A generic model for fault isolation in integrated management systems," *Journal of Network and Systems Management*, vol. 5, no. 2, pp. 109–130, 1997.
- [6] S. Kätker and M. Paterok, "Fault isolation and event correlation for integrated fault management," in *Proceedings of the fifth international symposium on Integrated network management*, 1997, pp. 583–596.
- [7] R. D. Gardner and D. A. Harle, "Alarm correlation and network fault resolution using the Kohonen self-organising map," *Global Telecommunications Conference (GLOBECOM 1997)*, pp. 1398–1402, 1997.
- [8] S. R. Tembo, J. L. Courant, and S. Vaton, "A 3-layered self-reconfigurable generic model for self-diagnosis of telecommunication networks," in *IEEE SAI International Conference on Intelligent Systems, INTELLISYS, London*, 2015.
- [9] J. Pearl, "Bayesian networks: A model of self-activated memory for evidential reasoning," in *Proceedings of the 7th Conference of the Cognitive Science Society*, 1985, pp. 329–334.
- [10] Telecommunication Standardization Sector of ITU, *G.984.3 Recommendation*. ITU-T, 2008.
- [11] —, *G.977.1 Recommendation*. ITU-T, 2003.
- [12] J. Pearl, *Probabilistic reasoning in intelligent systems: networks of plausible inference*. Morgan Kaufmann, 1988.
- [13] A. L. Madsen and F. V. Jensen, "Lazy propagation: a junction tree inference algorithm based on lazy evaluation," *Artificial Intelligence*, vol. 113, pp. 203–245, 1999.