



HAL
open science

Integrated Control/Structure Design of a Large Space Structure using Structured Hinfinity Control

José Alvaro Perez Gonzalez, Christelle Pittet, Daniel Alazard, Thomas Loquen

► **To cite this version:**

José Alvaro Perez Gonzalez, Christelle Pittet, Daniel Alazard, Thomas Loquen. Integrated Control/Structure Design of a Large Space Structure using Structured Hinfinity Control. IFAC-PapersOnLine, 2016, vol. 49 (n° 17), pp. 296-301. 10.1016/j.ifacol.2016.09.052 . hal-01413280

HAL Id: hal-01413280

<https://hal.science/hal-01413280>

Submitted on 9 Dec 2016

HAL is a multi-disciplinary open access archive for the deposit and dissemination of scientific research documents, whether they are published or not. The documents may come from teaching and research institutions in France or abroad, or from public or private research centers.

L'archive ouverte pluridisciplinaire **HAL**, est destinée au dépôt et à la diffusion de documents scientifiques de niveau recherche, publiés ou non, émanant des établissements d'enseignement et de recherche français ou étrangers, des laboratoires publics ou privés.



Open Archive TOULOUSE Archive Ouverte (OATAO)

OATAO is an open access repository that collects the work of Toulouse researchers and makes it freely available over the web where possible.

This is an author-deposited version published in: <http://oatao.univ-toulouse.fr/>
Eprints ID: 16568

To link this article: <http://dx.doi.org/10.1016/j.ifacol.2016.09.052>

To cite this version: Perez Gonzalez, José Alvaro and Pittet, Christelle and Alazard, Daniel and Loquen, Thomas *Integrated Control/Structure Design of a Large Space Structure using Structured Hinfinity Control*. (2016) IFAC-PapersOnLine, vol. 49 (n° 17). pp. 296-301. ISSN 2405-8963

Any correspondence concerning this service should be sent to the repository administrator: staff-oatao@listes-diff.inp-toulouse.fr

Integrated Control/Structure Design of a Large Space Structure using Structured \mathcal{H}_∞ Control

J. Alvaro PEREZ* Christelle PITTET** Daniel Alazard***
Thomas Loquen****

* ONERA System Control Department, Toulouse, 31000 France
(e-mail: Jose-Alvaro.Perez_Gonzalez@onera.fr)

** CNES AOCs Department, Toulouse, 31000 France (e-mail:
christelle.pittet@cnes.fr)

*** ISAE System Control Department, Toulouse, 31000 France (e-mail:
daniel.alazard@isae.fr)

**** ONERA System Control Department, Toulouse, 31000 France
(e-mail: thomas.loquen@onera.fr)

Abstract This study presents the integrated control/structure design of a large flexible structure, the Extra Long Mast Observatory (ELMO). The integrated design is performed using structured \mathcal{H}_∞ control tools, developing the Two-Input Two-Output Port (TITOP) model of the flexible multi-body structure and imposing integrated design specifications as H_∞ constraints. The integrated control/structure design for ELMO consists of optimizing simultaneously its payload mass and control system for low-frequency perturbation rejection respecting bandwidth requirements.

Keywords: Integrated Design, structured \mathcal{H}_∞ control, Large Flexible Spacecraft, TITOP model

1. INTRODUCTION

Currently Large Space Structures (LSS) are a challenging problem in control system design because they involve large complex kinematic chains composed of rigid and flexible bodies, mostly large-sized, maximally lightened, low-damped and with closed-spaced low natural frequencies. In this case structural modes interfere with the controlled bandwidth, provoking a critical Control-Structure Interaction (CSI). Therefore, LSS design is increasingly becoming subject to a close coordination among the different spacecraft sub-systems, demanding methods which tie together spacecraft structural dynamics, control laws and propulsion design. These methods are often called as *Integrated Control/Structure Design (ICSD)*, *Plant-Controller Optimization (PCO)* or simply *co-design (CD)*.

ICSD methods began being studied in the 80s as an opposite technique to the current method of separated iterative sequences within the structural and control disciplines. The first integrated design methodologies were those in Onoda and Haftka (1987) and Messac and Malek (1992). These methods were based on iterative methodologies with optimization algorithms. Lately, other methods have been proposed such as those solved by LMI algorithms or with LQG methods like in Hiramoto et al. (2009). However, these approaches give conservative results and their applicability is restricted by problem dimension. Recently, robust techniques allow a more general and easy approach (Alazard et al., 2013; Watt et al., 2013). Structured robust techniques are based on structured \mathcal{H}_∞ synthesis algorithms developed in Gahinet and Apkarian (2011) or

Burke et al. (2006), granting structured controllers and tunable parameters optimization. This synthesis, merged with a correct plant modeling, can reveal important applications of integrated design methodologies in space industry (Alazard et al., 2013) or aviation (Denieul et al., 2015).

This work aims at showing the progress achieved at the end-way of this PhD study about an integrated design methodology with structured \mathcal{H}_∞ control synthesis. This paper is organized as follows. First, the general framework about the integrated design used in this study is explained. This framework presents the modeling technique and optimization specifications that have been developed in order to be able to apply structured \mathcal{H}_∞ synthesis. Second, ICSD is applied to a real case of a LSS: payload weight maximization and controller optimization for perturbation rejection are performed to a large flexible satellite composed of mast segments (ELMO, see Fig 1), developed by CNES space structures department. Finally, results of the ICSD study are discussed and conclusions are presented.

2. INTEGRATED DESIGN METHOD

The ICSD method of this study lies on the structured robust control synthesis. A thorough explanation of structured \mathcal{H}_∞ controller synthesis is given in Gahinet and Apkarian (2011) and Burke et al. (2006), where it is shown how is possible to impose the order, the structure and stability of the controller thanks to the structured \mathcal{H}_∞ synthesis. In the following sections a descriptive view of the ICSD method is presented.

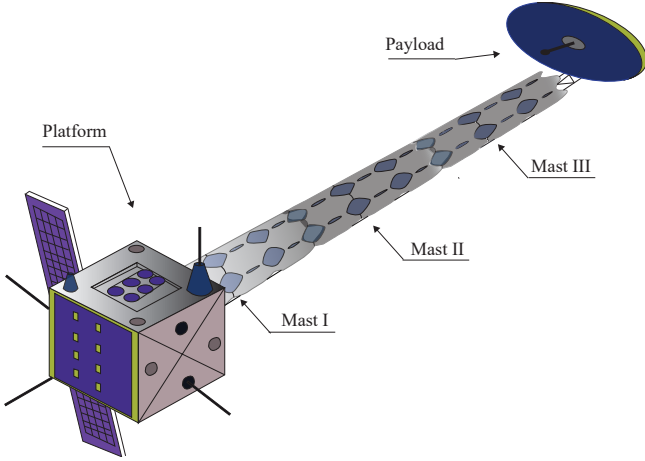


Figure 1. Illustration of the Extra Long Mast Observatory (ELMO) subject integrated control/structure design study

2.1 Theory

Figure 2 shows the standard multi-channel \mathcal{H}_∞ synthesis problem. Given a Linear Fractional Representation (LFR) of the controlled system, $G(s)$, in which the corresponding parametric variations have been extracted as a tunable block Δ_i , and added to an augmented structured controller with tunable parameters $K(s) = \text{diag}(C(s), \dots, \Delta_i)$, structured \mathcal{H}_∞ synthesis computes the optimal tuning of the free parameters of $C(s)$ and Δ_i to enforce closed-loop internal stability such that:

$$\min_{C(s), \Delta_i} \{ \max \{ \|W_\Delta(s)\Delta_i\|_\infty, \|W_C(s)C(s)\|_\infty \} \} \quad (1)$$

$$\text{under : } \|W_z(s)T_{w \rightarrow z}(s)\|_\infty < \gamma_{perf}$$

i.e., it minimizes the \mathcal{H}_∞ norm between the transfer of the perturbation input w and the performance output z , $T_{w \rightarrow z}(s)$, such that it is constrained to be below $\gamma_{perf} > 0$ to meet performances. The problem is in the form of *Multi-Channel \mathcal{H}_∞ Synthesis*, and it allows imposing to the augmented controller different properties such as its internal stability (Alazard et al., 2013), frequency template (Loquen et al., 2012) or maximum gain values. In substance, the **Structured \mathcal{H}_∞ Integrated Design Synthesis** tunes the free parameters contained in the augmented controller $K(s) = \text{diag}(C(s), \Delta_i)$, $C(s)$ being a structured controller and Δ_i the set of structural parameters to be optimized, to ensure closed loop internal stability and meet normalized \mathcal{H}_∞ requirements through W_z , W_C and W_Δ . The difficulty lies on how to impose the correct normalized \mathcal{H}_∞ requirements so that successful integrated design synthesis is guaranteed.

2.2 Modeling Technique

As noted in Section 2.1, ICSD method with \mathcal{H}_∞ control of a LSS needs a LFR representation of the different mechanical subsystems, so that parametric variations can be considered in the final plant model $G(s)$. A correct and straightforward modeling technique of a multi-body flexible spacecraft is the Two-Input Two-Output Port

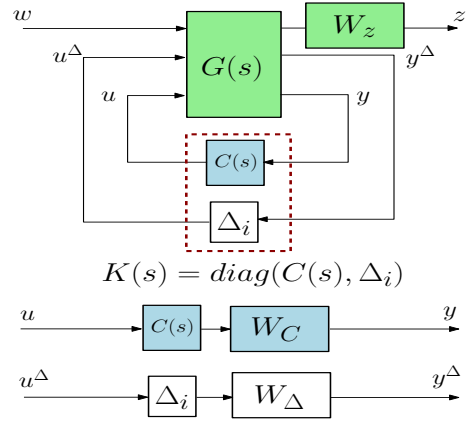


Figure 2. Block Diagram of Integrated Design Optimization

(TITOP) modeling technique (Perez et al., 2015; Murali et al., 2015), which allows casting different structural data (Finite Element Models, geometry, flexible modes) in the state-space domain, with the added possibility of including tunable variables. In substance, the different TITOP models of the different substructures can be easily assembled through load-acceleration transmission at the connection points in order to reproduce the fully assembled LSS. There are two different types of TITOP models so far: actuated and non-actuated models.

- The *non-actuated TITOP model* (see Fig. 3b) of a substructure \mathcal{A} represents a single mechanical subsystem between two mechanical subsystems, \mathcal{P} and \mathcal{Q} , in which accelerations, \ddot{u} , are transmitted downstream (from the hub to the tip), and loads, F , are transmitted upstream (from the tip to the hub). Two connection points, P and Q , are considered as the interfaces of the mechanical substructure with other substructures. The reader might consult Perez et al. (2015) if more information about this modeling technique is desired.
- The *actuated TITOP model* (see Fig. 3c) has the same mechanical considerations as the *non-actuated TITOP model*; i.e., has the same set of mechanical inputs/outputs. In addition, the model takes into account the electro-mechanical behavior of the substructure when piezoelectric elements are included inside the structure, adding additional inputs, the set of applied voltages v , and additional outputs, the set of measured electric charges g_c , which are suitable for accurate control action modeling. The reader might consult Perez et al. (2016) if more information about this extension of the TITOP modeling technique is desired.

Moreover, TITOP models can be enriched including parameter variations which can be used to create the final LFR model, $G(s)$ from which the set of tunable parameters Δ_i is extracted to be optimized.

2.3 Integrated Design Specifications

The basic LSS design objectives for the control systems are (i) to obtain sufficiently high bandwidth and satisfactory closed-loop damping ratios for rigid-body structural modes; and (ii) to obtain satisfactory pointing errors. The

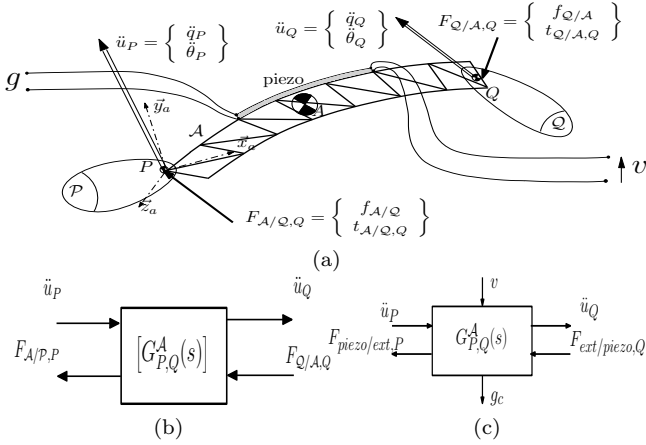


Figure 3. (a) Generic substructure (b) Non-actuated TITOP form (c) Actuated TITOP form

first design requirement arises from the need to obtain a sufficient error decay when a disturbance occurs (such a sudden thermal distortion when entering in Earth's shadow or a gravity gradient torque). The second design objective arises from mission performance requirements (such as alignment specification between two different on-board instruments, Radio Frequency specifications of a large antenna). These two objectives may not necessarily be compatible: increased feedback gains for obtaining higher bandwidth will in general lead to higher pointing errors since they may have an amplifying effect on sensor noise.

In this method, control design objectives are addressed as frequency domain specifications on rigid-body modes and then expanded to the rest of the LSS where flexible motions have to be damped. The rigid modes are assigned to a specific part of the LSS, likely the hub, in which rigid-body actuators are usually placed to control attitude motion. The center of gravity of the hub is used as the origin of the frame for the rest of the constraints.

The structured \mathcal{H}_∞ synthesis scheme used in this method is based on the acceleration sensitivity function, $S_{\ddot{q}}$ (Fezans et al., 2008) i.e. the SOTAS (Second Order Template on Acceleration Sensitivity) scheme. This scheme measures the transfer between perturbations on generic acceleration vector \ddot{q} and the performance output z , consisting of the same accelerations weighted with a second-order filter:

$$T_{w_{\ddot{q}} \rightarrow z} = W_z S_{\ddot{q}} = \frac{s^2 + 2\xi_{req}\omega_{req}s + \omega_{req}^2}{s^2} S_{\ddot{q}} \quad (2)$$

The weight function W_z in Eq. (2) is a second order transfer function characterised by the desired closed-loop dynamics of the rigid-modes, to impose the desired frequency template to $S_{\ddot{q}}$. This ensures perturbation rejection at low frequencies in the desired bandwidth ω_{req} for the rigid-body modes, while high frequency disturbances (beyond controller's bandwidth) are not rejected. One of the main advantages of this synthesis scheme is that the optimal norm γ_{opt} is equal to 1 and therefore any additional constraint implies $\gamma_{perf} \geq 1$, being the distance to 1 considered as a distance to the objective.

The constraints can be expanded to other LSS locations subject to control objectives (such as antenna pointing or payload alignment with respect to the hub). These specifications (maximum line-sight misalignment or damping for vibration attenuation) are imposed through the transmission of the rigid-body motion to the other locations of the LSS subject to performance analysis. The weight function for another location performance z_P is stated as:

$$T_{w_{\ddot{q}} \rightarrow z_P} = \phi_{GP} W_{z_G} S_{\ddot{q}} \quad (3)$$

where z_G is the performance evaluation at the location where the rigid-body modes dynamics are considered (the hub), G , and ϕ_{GP} is the kinematic transport model from point G to point P , where the constraint is imposed. In the same manner, any disturbance affecting other locations in the LSS must be rejected at the hub following:

$$T_{w_{\ddot{q}_P} \rightarrow z} = \phi_{PG} W_{z_P} S_{\ddot{q}_P} \quad (4)$$

Constraints for structural parameters Δ_i and controller $C(s)$ optimization can be imposed through the weighting filters W_{Δ_i} and W_C respectively. Commonly W_C is a roll-off specification to avoid the spill-over effect of neglected flexible modes. If parameter variation is correctly normalized in the interval $[-1, 1]$ (value 0 indicating the nominal value), a suitable weight function W_{Δ_i} can be a simple gain imposing the maximization or minimization of the different parameters. For example, if a parameter Δ_i has to be maximized, the constraint is expressed as:

$$\min\left(\frac{z_{\Delta_i}}{w_{\Delta_i}}\right) = \min(1 - \Delta_i) \leq 1 \quad (5)$$

3. APPLICATION TO A LSS

3.1 Plant Description and Design Specifications

The Extra Long Mast Observatory (ELMO) study is composed of a rigid platform, with center of mass at G , to which a long deployable mast is cantilevered at a point P , composed of several mast segments, at which end the instrument for the required mission is located (depiction shown in Fig. 1). Therefore, ELMO will have a highly-directional inertia tensor, with a very high magnitude of the moment-of-inertia in the perpendicular plane to the mast. Thus the main challenge in science-mode control design is to provide just-enough bandwidth to adequately mitigate low-frequency disturbances while minimizing the effects of end displacement and maximizing instrument mass. ACS/ Structure design phase for ELMO is to provide valuable control strategies for the required bandwidth and to maximize the instrument mass located at the end of the mast.

The ELMO design specification requires rejection of low-frequency disturbances in a bandwidth estimated in the frequency range 0-0.173 Hz, mostly induced by the thermal-structural response of the system (Park, 2002). In addition, the payload misalignment with the line of sight of the platform must not exceed 5 arcsec (0.08°) during observation, which given the total length of the deployable mast can be translated to 17 mm of maximum

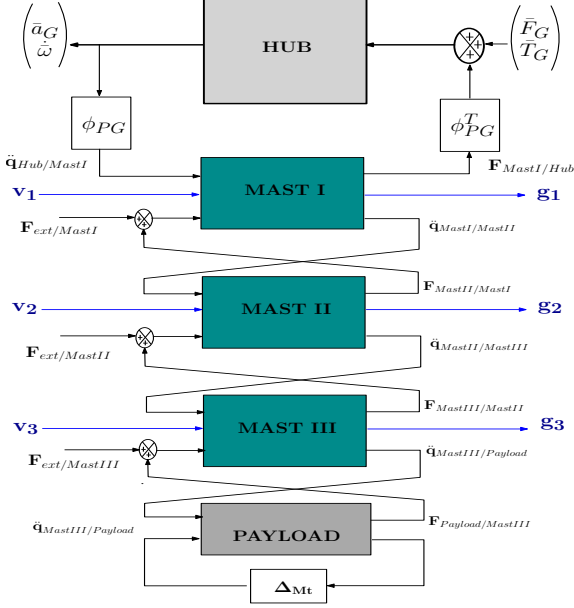


Figure 4. TITOP modeling technique applied to ELMO study

tip displacement. The mass of the payload is expected to be around 60 Kg, but a maximization can be foreseen if this does not affect mission requirements.

3.2 Plant Modeling and Assembly for ICSD

The main difficulty of the ELMO study lies in the non-availability of a full plant model. Only data of a single mast segment is available, together with some platform and piezoelectric parameters referenced in Table A.1. To overcome this difficulty, the TITOP modeling technique is used to find a coherent model to proceed to ICSD synthesis.

The assembly of the whole system is addressed as in Fig. 4. Mast segments are connected as *actuated TITOP* models, which exchange acceleration-loads through their connection points until the end of the mast, where the payload is placed. The masts can be actuated through the input of voltages v_i . The payload has been parametrized so that mass variation is taken into account through a tunable block Δ_{Mt} for maximization. The whole chain of flexible substructures is connected to the platform as a force feedback, previously transported by the transport dynamics matrix ϕ_{PG}^T which relates the connection point P to the platform center of mass G .

Thus the TITOP modeling technique provides a coherent plant model from which ICSD can be performed. The inputs correspond to forces and torques applied to the platform together with the applied voltages in the piezoelectric actuators. The outputs correspond to the measured accelerations of the platform and payload misalignment, and displacement information extracted from the electric charge in the piezoelectric components. Final state-space assembly results in a first flexible bending mode at 0.62 Hz, close to the desired bandwidth of 0.173 Hz, and a resulting inertia of 9800 Kg m².

3.3 Control Actions

Taking advantage of the \mathcal{H}_∞ synthesis, four control strategies are studied for perturbation rejection in order to compare their trade-off complexity-performance:

- I One actuator located at the platform. Collocated PID controller for the control torque, M_G , applied by the reaction wheel. Platform's attitude θ is the controller input.

$$M_G^I = PID(s)\theta \quad (6)$$

- II One actuator located at the platform. Non-collocated PID -PD structured controller for the control torque applied by a reaction wheel at the platform. Platform's attitude θ and payload misalignment y are the controller inputs.

$$M_G^{II} = PID(s)\theta + PD(s)y \quad (7)$$

- III One actuator located at the platform, piezoelectric actuators located at each mast segment. Collocated PID-PD structured controller for the torque and voltages control actions. Platform's attitude θ and electric charges g_c at the piezos are the inputs of the controller.

$$M_G^{III} = PID(s)\theta \quad (8)$$

$$v_i^{III} = PD(s)g_{ci}$$

- IV One actuator located at the platform, piezoelectric actuators located at each mast segment. Non-collocated PID-PD-PI structured controller for torque and voltages control actions. Platform's attitude θ , electric charges g_c at the piezos and payload misalignment are the controller inputs.

$$M_G^{IV} = PID(s)\theta + PD(s)y \quad (9)$$

$$v_i^{IV} = PD(s)g_{ci} + PI(s)y$$

3.4 Integrated Design Results

The obtained ELMO model and the different controllers are implemented in the ICSD synthesis scheme of Fig. 2 and structured \mathcal{H}_∞ synthesis is performed under the specifications presented in Section 2. The strategies are tested through perturbation rejection simulation for each co-designed system. The simulation scenario consists of a thermal torque of 19.04 Nm Park (2002) induced by solar radiation, applied at the tip of the mast during half an orbit. Perturbation rejection and command actions are analyzed through time response plots. The analysis is done through three high-priority performance indexes: respect of the perturbation rejection template, γ_{perf} , hub pointing error $\delta\theta$ and payload misalignment δy .

Strategy I meets the perturbation requirement with $\gamma_{perf} = 1.3797$ (see Table 1), respecting the frequency template until the first flexible mode (Fig. 6a) and with a fast hub pointing error rejection (Fig: 5). However, the payload misalignment is around 33 mm, exceeding the allowed 17 mm of maximum payload displacement. This is the consequence of the non-controllability of the bending mode by the platform's torque input. In addition, no vibration attenuation is possible, since the induced vibration frequency lies beyond the controller bandwidth, which requires active hub control torque even when the perturbation is not active. No payload maximization has been achieved with this strategy (see Table 1).

Table 1.

Strategy	γ_{perf}	Max Mt
I	1.3797	60.82 Kg
II	2.4231	60 Kg
III	1.0088	63.94 Kg
IV	1.1726	69.34 Kg

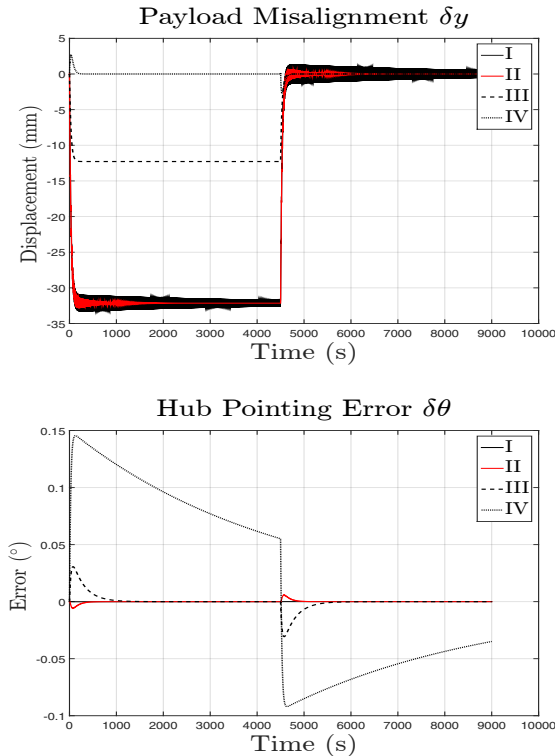


Figure 5. Response to thermal perturbation simulation: payload misalignment and hub pointing error

Strategy II is far from meeting the perturbation requirement with $\gamma_{perf} = 2.4231$ (see Table 1), as it can be seen in Fig. 6b, where the sensitivity transfer function template is overstepped with the first flexible mode arising from the template. Hub pointing error rejection is achieved during simulation (Fig: 5), but payload exceeds maximum payload displacement. Induced vibrations are slightly more damped than those in Strategy I, but hub control torque is still required even when the perturbation is not active. No significant increase of payload mass has been achieved with this strategy.

Strategy III has the best performance index for perturbation rejection, $\gamma_{perf} = 1.0088$, leading to the desired acceleration sensitivity template (see Fig. 6c). Hub pointing error decay is slower than Strategies I and II, but always below the requirement of 5 arcsec. The static error of payload misalignment is around 13 mm, below the maximum allowed. Vibrations are clearly damped during the simulation but the piezoelectric actuators are not equally required by the control system (piezo situated in mast II is over-used). Around 4 Kg of extra payload mass (increase of 6.56 %) are achieved during the optimization process.

Strategy IV results in a performance index of $\gamma_{perf} = 1.1726$ penalized by the shadowing of the first flexible mode at the end of the bandwidth (see Fig. 6d). Strategy

IV has the slowest hub pointing error decay, exceeding the maximum allowed of 5 arcsec. On the contrary, payload misalignment presents the best behaviour with lack of static error misalignment thanks to the integral effect on tip displacement. Vibration damping is achieved and the payload mass maximization is around 10 Kg (increase of 15.57 %), close to the maximum allowed for this parameter.

The aforementioned results show that only Strategy III meets all the high-priority requirements: perturbation frequency template, payload misalignment and hub pointing error. In addition, it is possible to maximize payload mass by 4 Kg. However, applied commands are not realistic since only one piezoelectric component is used. Strategy IV could work if perturbation decay was faster, what can be done by further manual tuning of the integral effect. This is caused by the local-optimality of the structured \mathcal{H}_∞ synthesis, which finds local optimums and the global optimality cannot be ensured. This is solved by random initialization of the tunable parameters (Gahinet and Apkarian, 2011) in the integrated design routine, but given the complexity of the problem, there are many solutions that can solve the optimization problem with different performances.

4. CONCLUSIONS AND PERSPECTIVES

This study has presented the main guidelines for an Integrated Control/Structure Design Method using \mathcal{H}_∞ synthesis and applied them to a Large Space Structure, ELMO, in order to study the expected performances with different control strategies. An intuitive and accurate modeling technique, the TITOP technique, has been applied to a LSS, obtaining the plant model needed for integrated design. Frequency domain constraints have been established for structured \mathcal{H}_∞ synthesis for integrated design, mostly focused on the perturbation rejection problem. Results have proven the advantages/disadvantages of the different control strategies, demonstrating the utility of ICSD in preliminary studies, with the added advantage of using a universal optimization tool such as structured \mathcal{H}_∞ synthesis functions.

REFERENCES

- Alazard, D., Loquen, T., De Plinval, H., and Cumer, C. (2013). Avionics/Control Co-Design for Large Flexible Space Structures. In *AIAA Guidance, Navigation, and Control (GNC) Conference*. Boston, Massachusetts, USA.
- Burke, J., Henrion, D., Lewis, A., and Overton, M. (2006). HIFOO a Matlab Package for Fixed-Order Controller Design and \mathcal{H}_∞ Optimization. In *Fifth IFAC Symposium on Robust Control Design*.
- Denieul, Y., Alazard, D., Bordeneuve, J., Toussaint, C., and Taquin, G. (2015). Interactions of Aircraft Design and Control: Actuators Sizing and Optimization for an Unstable Blended Wing-Body. In *AIAA Atmospheric Flight Mechanics Conference*, AIAA Aviation. American Institute of Aeronautics and Astronautics, Dallas, TX.
- Fezans, N., Alazard, D., Imbert, N., and Carpentier, B. (2008). \mathcal{H}_∞ Control Design for Generalized Second Order Systems based on Acceleration Sensivity Function.

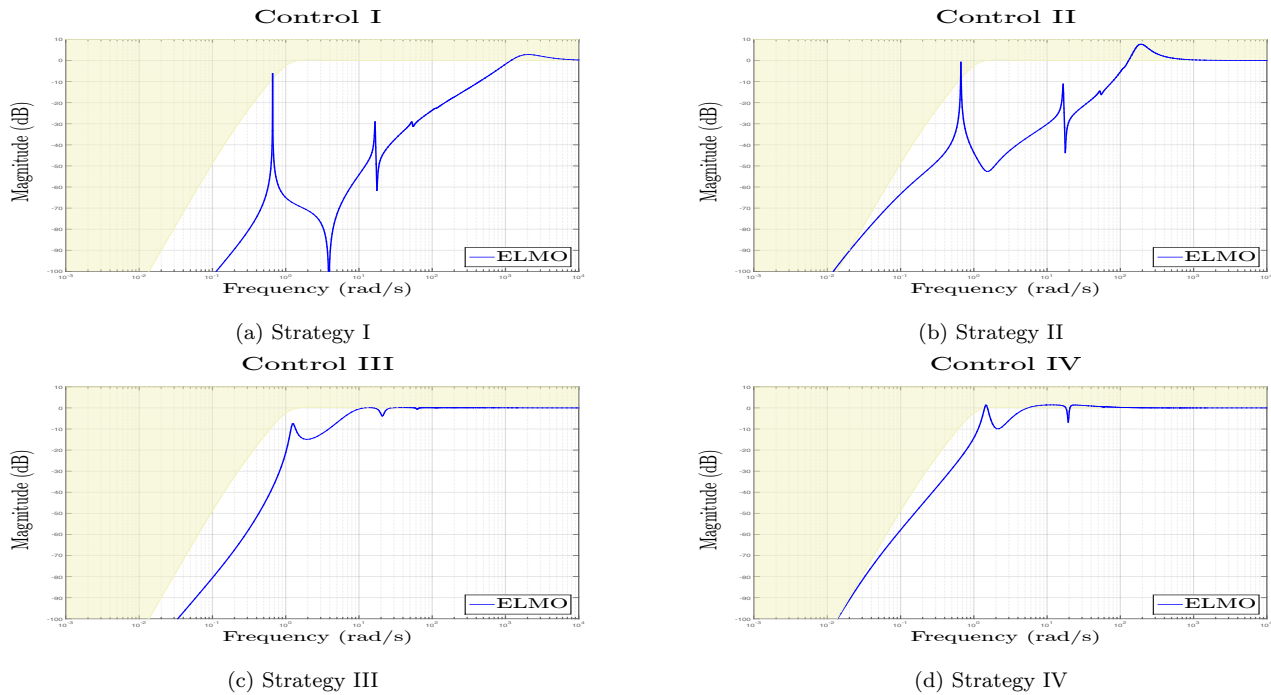


Figure 6. Acceleration Sensitivity Function Template (yellow background) and the obtained controlled system transfers

In *16th IEEE Mediterranean Conference on Control and Automation*.

Gahinet, P. and Apkarian, P. (2011). Structured \mathcal{H}_∞ Synthesis using MATLAB. In *18th IFAC World Congress*. Milano, Italy.

Hiramoto, K., Mohammadpour, J., and Grigoriadis, K. (2009). Integrated Design of System Parameters, Control and Sensor Actuator Placement for Symmetric Mechanical Systems. In *48th IEEE Conference on Decision and Control*. Shanghai, China.

Loquen, T., De Plinval, H., Cumer, C., and Alazard, D. (2012). Attitude Control of Satellite with Flexible Appendages: Structured \mathcal{H}_∞ Approach. In *AIAA Guidance, Navigation, and Control (GNC) Conference*. Minneapolis (Minnesota).

Messac, A. and Malek, K. (1992). Control Structure Integrated Design. *AIAA Journal*, 30(8), 2124–2131.

Murali, H.H.S., Alazard, D., Massotti, L., Ankersen, F., and Togliola, C. (2015). Mechanical-attitude controller co-design of large flexible space structures. In *Advances in Aerospace Guidance, Navigation and Control*, 659–678. Springer.

Onoda, J. and Haftka, R.T. (1987). An Approach to Structure/Control Simultaneous Optimization for Large Flexible Spacecraft. *AIAA*, 25, 1133–1138.

Park, S.Y. (2002). Thermally Induced Attitude Disturbance Control for Spacecraft with a Flexible Boom. *Journal of Spacecraft and Rockets*, 39(2), 325–328.

Perez, J.A., Alazard, D., Loquen, T., and Pittet, C. (2016). Linear Modeling of a Flexible Substructure Actuated through Piezoelectric Components for Use in Integrated Control/Structure Design. In *arXiv preprint arXiv: 1602.07591*. To appear in IFAC Symposium on Automatic Control in Aerospace - ACA 2016.

Perez, J.A., Alazard, D., Loquen, T., Pittet, C., and Cumer, C. (2015). Flexible Multibody System Linear Modeling for Control using Component Modes

Synthesis and Double-Port Approach. *arXiv preprint arXiv:1604.00259*. Submitted in ASME J. of Dynamic Systems, Measurement and Control (pending of minor revisions).

Watt, M., Yu, M., Falcoz, A., Kron, A., Menon, P., Ankersen, F., and Massotti, L. (2013). Integrated structure/control optimisation applied to the biomass earth observation mission. In *AIAA Guidance, Navigation, and Control (GNC) Conference*, 4714.

Appendix A. AVAILABLE DATA FOR ELMO STUDY

Table A.1.

Mast Parameters	Symbol	Value
Total length	L	4.060 m
Total weight	m	2.737 Kg
Average Thickness	t	9.53 mm
Diameter	ϕ	141 mm
Average Elastic modulus	E	1.13 GPa
Actuator Parameters	Symbol	Value
Piezo length	l_p	80 mm
Thickness	t_p	2 mm
Width	w_p	30 mm
Volumetric Density	ρ_p	7600 Kg/m ³
Elastic modulus	E_p	50 GPa
Piezoelectric Constant	d_{31}	-150×10^{-12} m/V
Dielectric Constant	ϵ_{33}^T	1.59×10^{-12} F/m
Hub Parameters	Symbol	Value
Hub inertia	J_h	250 Kg m ²
Hub Mass	m	500 Kg
Attachment Point	P	(0,1,0) m
Optimization Parameters	Symbol	Variation Range
Payload Mass	Mt	[60, 70] Kg