



HAL
open science

Identification of Dynamic Models in Complex Networks With Prediction Error Methods: Predictor Input Selection

Arne Dankers, Paul M. J. van den Hof, Xavier Bombois, Peter S. C. Heuberger

► **To cite this version:**

Arne Dankers, Paul M. J. van den Hof, Xavier Bombois, Peter S. C. Heuberger. Identification of Dynamic Models in Complex Networks With Prediction Error Methods: Predictor Input Selection. IEEE Transactions on Automatic Control, 2016, 61 (4), pp.937-952. 10.1109/TAC.2015.2450895 . hal-01355016

HAL Id: hal-01355016

<https://hal.science/hal-01355016>

Submitted on 25 Apr 2019

HAL is a multi-disciplinary open access archive for the deposit and dissemination of scientific research documents, whether they are published or not. The documents may come from teaching and research institutions in France or abroad, or from public or private research centers.

L'archive ouverte pluridisciplinaire **HAL**, est destinée au dépôt et à la diffusion de documents scientifiques de niveau recherche, publiés ou non, émanant des établissements d'enseignement et de recherche français ou étrangers, des laboratoires publics ou privés.

Copyright

Identification of Dynamic Models in Complex Networks with Prediction Error Methods - Predictor Input Selection

Arne Dankers, *Member, IEEE*, Paul M. J. Van den Hof, *Fellow, IEEE*, Xavier Bombois and Peter S. C. Heuberger

Abstract—This paper addresses the problem of obtaining an estimate of a particular module of interest that is embedded in a dynamic network with known interconnection structure. In this paper it is shown that there is considerable freedom as to which variables can be included as inputs to the predictor, while still obtaining consistent estimates of the particular module of interest. This freedom is encoded into sufficient conditions on the set of predictor inputs that allow for consistent identification of the module. The conditions can be used to design a sensor placement scheme, or to determine whether it is possible to obtain consistent estimates while refraining from measuring particular variables in the network. As identification methods the Direct and Two Stage Prediction-Error methods are considered. Algorithms are presented for checking the conditions using tools from graph theory.

Index Terms—System identification, closed-loop identification, graph theory, dynamic networks, linear systems.

I. INTRODUCTION

SYSTEMS IN ENGINEERING are becoming more complex and interconnected. Consider for instance, power systems, telecommunication systems, and distributed control systems. Since many of these systems form part of the foundation of our modern society, their seamless operation is paramount. However, the increasing complexity and size of the systems poses real engineering challenges (in maintaining stability of the electrical power grid, increasing data throughput of telecommunication networks, etc.). These systems cannot be operated, designed, and maintained without the help of models.

Tools from *system identification* are well suited to construct models using measurements obtained from a system. However, the field of system identification is primarily focused on identifying open and closed-loop systems. Recently, there has been a move to consider more complex interconnection structures. The literature on identification and dynamic networks can be split into two categories based on whether the interconnection structure of the network is assumed to be known or not. In the latter the objective is generally to detect the topology of the network, whereas in the former the focus has mainly been to identify (part of) the dynamical transfers in the network based on open-loop and closed-loop identification techniques.

The work of Arne Dankers is supported in part by the National Science and Research Council (NSERC) of Canada.

A. Dankers is with the Delft Center for Systems and Control, Delft University of Technology, adankers@hifieng.com

P.M.J. Van den Hof is with the Department of Electrical Engineering, Eindhoven University of Technology, p.m.j.vandenhof@tue.nl

P.S.C. Heuberger is with the Department of Mechanical Engineering, Eindhoven University of Technology, p.s.c.heuberger@tue.nl

X. Bombois is with Laboratoire Ampère, Ecole Centrale de Lyon (Ecully, France), xavier.bombois@ec-lyon.fr

The topology detection literature is primarily based on the methods of Granger and *Granger Causality* [1]. In [2], [3] it is shown that it is possible to distinguish between open and closed-loop systems (using a parametric approach). Recently, this line of reasoning has been extended to more general networks in [4], [5] (using a non-parametric approach). Several methods have appeared that automate Granger's method for detection of causal relations by using regularization terms to set certain links in the network to zero. For instance, [6], [7] directly implement an ℓ_0 norm, whereas [8] uses the LASSO ([9]), and [10] uses a compressed sensing approach. In [11] a Bayesian approach for topology detection is presented. The main features that these algorithms have in common is that all internal variables in the network are assumed to be known, each internal variable is driven by an independent stochastic variable, and most papers assume all transfer functions in the network are strictly proper. Under these conditions it is shown that topology detection is possible.

Although the structure detection problem is very interesting, the underlying identification techniques, even for the case that the network structure is known, have not been fully developed yet. In particular if we consider situations that go beyond the rather restrictive conditions mentioned above. As a result, identification of (particular modules in) dynamic networks for a given interconnection structure is a relevant problem to address. Moreover, for a large number of systems in engineering the interconnection structure of the network is known (power systems, telecommunication systems etc.).

In the identification of dynamic networks attention has been given to the study of *spatially distributed systems*, where each node is connected only to its direct neighbors and the modules are assumed to be identical [12], [13] or not [14], [15], [16]. In these papers emphasis is on numerically fast algorithms.

In [17] closed-loop prediction-error identification methods have been extended to the situation of dynamic networks and analyzed in terms of consistency properties. The interconnection topology is very general and goes beyond the spatially distributed topology. The approach is to focus on identifying a single module embedded in a network with known interconnection structure and with general conditions on noise disturbances. Both noise and known user-defined signals (called reference signals) can drive or excite the network, while the presence of reference signals can be used to relax assumptions on the noise in the system. In the analysis of [17] it is required that *all* signals that directly map into the output of the considered module are taken as predictor inputs, and therefore they all need to be measured.

In this paper we consider an extension of the problem

setting in [17]. The objective is to identify a particular module embedded in a dynamic network, and to analyze the flexibility that exists in which selection of measured variables leads to consistent identification of the module of interest. The variables that are measured are available to use as *predictor inputs*, i.e. variables that are used to predict the value of a particular internal variable. Specifically, the question addressed in this paper is: given a dynamic network with known interconnection structure, for which selection of predictor inputs can we guarantee that a particular module of interest can be estimated consistently?

Our approach is actually a local approach where only a limited number of variables need to be measured in order to identify the object of interest. The resulting algorithms can be applied to small to medium scale networks, or to large networks with sparse interconnection structures. It can also be used to design a sensor placement scheme tailored specifically to identifying a particular module in the network. Thus, it may be possible to avoid measuring variables that are expensive, difficult or unsafe to measure.

In order to make the step towards a *selection* of predictor input variables, the dynamics that appear between a selection of measured variables in a network is described in a so-called immersed network. The conditions for consistent module estimates are derived in a general context, and then specified for the Direct and Two-Stage Prediction-Error Methods, as formalized for a dynamic network case in [17]. This paper is based on the preliminary results of [18], [19] but developed and formulated here in a stronger and unifying framework, by relying predominantly on an analysis that is independent of the particular identification algorithm.

In Section II dynamic networks are defined. In Section III the prediction-error identification framework is presented, including generalizations of the Direct and Two-Stage identification methods. In Section IV an immersed network is defined as the network that is constructed by discarding nonmeasured node variables. Additionally general conditions are formulated on the predictor input variables to ensure consistent estimation of the module dynamics. In Sections V and VI the conditions on predictor inputs are specified for each identification method separately. In Section VII an algorithm based on graph theory is presented to check the conditions.

II. SYSTEM DEFINITION AND SETUP

A. Dynamic Networks

The networks that are considered in this paper are built up of L elements (or nodes), related to L scalar *internal variables* w_j , $j = 1, \dots, L$. It is assumed that each internal variable is such that it can be written as:

$$w_j(t) = \sum_{k \in \mathcal{N}_j} G_{jk}^0(q) w_k(t) + r_j(t) + v_j(t) \quad (1)$$

where $G_{jk}^0(q)$, $k \in \mathcal{N}_j$ is a proper rational transfer function, q^{-1} is the delay operator (i.e. $q^{-1}u(t) = u(t-1)$) and,

- \mathcal{N}_j is the set of indices of internal variables with direct causal connections to w_j , i.e. $i \in \mathcal{N}_j$ iff $G_{ji}^0 \neq 0$;

- v_j is an unmeasured *disturbance variable* that is a stationary stochastic process with rational spectral density: $v_j = H_j^0(q)e_j$ where e_j is a white noise process, and H_j^0 is a monic, stable, minimum phase transfer function;
- r_j is an *external variable* that is known and can be manipulated by the user; it is an important variable that can provide deliberate (user-chosen) excitation to the network.

It may be that the disturbance and/or external variable are not present at some nodes. The entire network is defined by:

$$\begin{bmatrix} w_1 \\ w_2 \\ \vdots \\ w_L \end{bmatrix} = \begin{bmatrix} 0 & G_{12}^0 & \cdots & G_{1L}^0 \\ G_{21}^0 & 0 & \ddots & \vdots \\ \vdots & \ddots & \ddots & G_{L-1,L}^0 \\ G_{L1}^0 & \cdots & G_{L,L-1}^0 & 0 \end{bmatrix} \begin{bmatrix} w_1 \\ w_2 \\ \vdots \\ w_L \end{bmatrix} + \begin{bmatrix} r_1 \\ r_2 \\ \vdots \\ r_L \end{bmatrix} + \begin{bmatrix} v_1 \\ v_2 \\ \vdots \\ v_L \end{bmatrix},$$

where G_{jk}^0 is non-zero if and only if $k \in \mathcal{N}_j$ for row j . Using an obvious notation results in:

$$w = G^0 w + r + v \quad (2)$$

where, w , r , and v are vectors. If an external or disturbance variable is absent at node i , the i th entry of r or v respectively is 0. Eq. (2) is the *data generating system*.

There exists a *path* from w_i to w_j if there exist integers n_1, \dots, n_k such that $G_{jn_1}^0 G_{n_1 n_2}^0 \cdots G_{n_k i}^0$ is non-zero. Likewise there exists a path from r_i to w_j (or v_i to w_j) if there exist integers n_1, \dots, n_k such that $G_{jn_1}^0 G_{n_1 n_2}^0 \cdots G_{n_k i}^0$ is non-zero.

The following sets will be used throughout the paper:

- \mathcal{R} and \mathcal{V} denote the sets of indices of all external and disturbance variables respectively present in the network.
- \mathcal{R}_j and \mathcal{V}_j denote the sets of indices of all the external and disturbance variables respectively with a path to w_j .

A *directed graph* of a dynamic network can be used to represent a network. A directed graph is a collection of nodes connected by directed edges. A directed graph of a dynamic network can be constructed as follows:

1. Let all w_k , $k \in \{1, \dots, L\}$ be nodes.
2. Let all v_k , $k \in \mathcal{V}$ and r_m , $m \in \mathcal{R}$ be nodes.
3. For all $i, j \in \{1, \dots, L\}$ if $G_{ji}^0 \neq 0$, then add a directed edge from node w_i to node w_j .
4. For all $k \in \mathcal{V}$ add a directed edge from v_k to w_k .
5. For all $k \in \mathcal{R}$ add a directed edge from r_k to w_k .

More concepts from graph theory will be used throughout the paper, but they will be presented where they are applicable. The following is an example of a dynamic network.

Example 1: Consider a network defined by:

$$\begin{bmatrix} w_1 \\ w_2 \\ w_3 \\ w_4 \\ w_5 \\ w_6 \end{bmatrix} = \begin{bmatrix} 0 & 0 & 0 & G_{14}^0 & 0 & 0 \\ G_{21}^0 & 0 & G_{23}^0 & 0 & 0 & 0 \\ 0 & G_{32}^0 & 0 & 0 & 0 & 0 \\ 0 & 0 & 0 & 0 & 0 & G_{46}^0 \\ 0 & G_{52}^0 & 0 & G_{54}^0 & 0 & G_{56}^0 \\ 0 & 0 & G_{63}^0 & 0 & G_{65}^0 & 0 \end{bmatrix} \begin{bmatrix} w_1 \\ w_2 \\ w_3 \\ w_4 \\ w_5 \\ w_6 \end{bmatrix} + \begin{bmatrix} r_1 \\ r_2 \\ r_3 \\ r_4 \\ r_5 \\ r_6 \end{bmatrix} + \begin{bmatrix} v_1 \\ v_2 \\ v_3 \\ v_4 \\ v_5 \\ v_6 \end{bmatrix}$$

shown in Fig. 1a. Its graph is shown in Fig. 1b. \square

All networks are assumed to satisfy the following conditions.

Assumption 1:

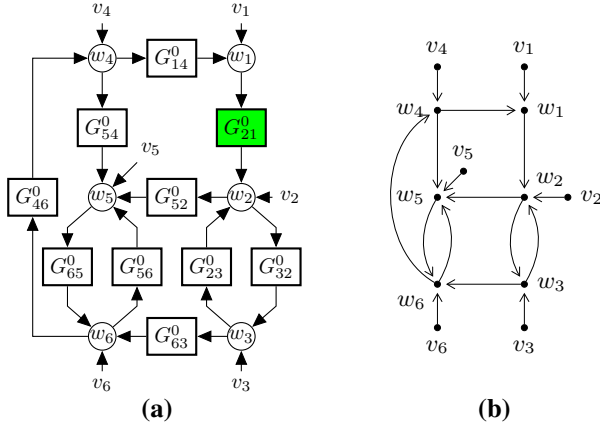


Fig. 1. A diagram (a) and graph (b) of the network for Examples 1 and 2. In (a), each rectangle represents a transfer function, and each circle represents a summation. For clarity labels of the w_i 's have been placed inside the summations indicating that the output of the sum is the variable w_i .

- (a) The network is well-posed in the sense that all principal minors of $\lim_{z \rightarrow \infty} (I - G^0(z))$ are non-zero.
- (b) $(I - G^0)^{-1}$ is stable.
- (c) All r_m , $m \in \mathcal{R}$ are uncorrelated to all v_k , $k \in \mathcal{V}$.¹

The well-posedness property [20] ensures that both G^0 and $(I - G^0)^{-1}$ only contain proper (causal) transfer functions, and still allows the occurrence of algebraic loops.

In this paper the set of internal variables chosen as predictor inputs plays an important role. For this reason, it is convenient to partition (2) accordingly. Let \mathcal{D}_j denote the set of indices of the internal variables that are chosen as predictor inputs. Let \mathcal{Z}_j denote the set of indices not in $\{j\} \cup \mathcal{D}_j$, i.e. $\mathcal{Z}_j = \{1, \dots, L\} \setminus \{\{j\} \cup \mathcal{D}_j\}$. Let $w_{\mathcal{D}}$ denote the vector $[w_{k_1} \dots w_{k_n}]^T$, where $\{k_1, \dots, k_n\} = \mathcal{D}_j$. Let $r_{\mathcal{D}}$ denote the vector $[r_{k_1} \dots r_{k_n}]^T$, where $\{k_1, \dots, k_n\} = \mathcal{D}_j$, and where the ℓ th entry is zero if r_{ℓ} is not present in the network (i.e. $\ell \notin \mathcal{R}$). The vectors $w_{\mathcal{Z}}$, $v_{\mathcal{D}}$, $v_{\mathcal{Z}}$ and $r_{\mathcal{Z}}$ are defined analogously. The ordering of the elements of $w_{\mathcal{D}}$, $v_{\mathcal{D}}$, and $r_{\mathcal{D}}$ is not important, as long as it is the same for all vectors. The transfer function matrix between $w_{\mathcal{D}}$ and w_j is denoted $G_{j\mathcal{D}}^0$. The other transfer function matrices are defined analogously. By this notation, the network equations (2) are rewritten as:

$$\begin{bmatrix} w_j \\ w_{\mathcal{D}} \\ w_{\mathcal{Z}} \end{bmatrix} = \begin{bmatrix} 0 & G_{j\mathcal{D}}^0 & G_{j\mathcal{Z}}^0 \\ G_{\mathcal{D}j}^0 & G_{\mathcal{D}\mathcal{D}}^0 & G_{\mathcal{D}\mathcal{Z}}^0 \\ G_{\mathcal{Z}j}^0 & G_{\mathcal{Z}\mathcal{D}}^0 & G_{\mathcal{Z}\mathcal{Z}}^0 \end{bmatrix} \begin{bmatrix} w_j \\ w_{\mathcal{D}} \\ w_{\mathcal{Z}} \end{bmatrix} + \begin{bmatrix} v_j \\ v_{\mathcal{D}} \\ v_{\mathcal{Z}} \end{bmatrix} + \begin{bmatrix} r_j \\ r_{\mathcal{D}} \\ r_{\mathcal{Z}} \end{bmatrix}, \quad (3)$$

where $G_{\mathcal{D}\mathcal{D}}^0$ and $G_{\mathcal{Z}\mathcal{Z}}^0$ have zeros on the diagonal.

III. PREDICTION ERROR IDENTIFICATION AND EXTENSION TO DYNAMIC NETWORKS

In this section, the prediction-error framework is presented with a focus on using the techniques in a network setting. It is an identification framework based on the one-step-ahead predictor model [21].

¹Throughout this paper r uncorrelated to v will mean that the cross-correlation function $R_{rv}(\tau)$ is zero for all τ .

A. Prediction Error Identification

Let w_j denote the variable which is to be predicted, i.e. it is the output of the module of interest. The *predictor inputs* are those (known) variables that will be used to predict w_j . The sets \mathcal{D}_j and \mathcal{P}_j are used to denote the sets of indices of the internal and external variables respectively that are chosen as predictor inputs - w_k is a predictor input iff $k \in \mathcal{D}_j$, and r_k is a predictor input iff $k \in \mathcal{P}_j$. The one-step-ahead predictor for w_j is then [21]:

$$\begin{aligned} \hat{w}_j(t|t-1, \theta) = & H_j^{-1}(q, \theta) \left(\sum_{k \in \mathcal{D}_j} G_{jk}(q, \theta) w_k(t) \right. \\ & \left. + \sum_{k \in \mathcal{P}_j} F_{jk}(q, \theta) r_k(t) \right) + (1 - H_j^{-1}(q, \theta)) w_j(t) \end{aligned} \quad (4)$$

where $H_j(q, \theta)$ is a monic noise model, $G_{jk}(\theta)$ models the dynamics between w_k to w_j , $k \in \mathcal{D}_j$, and $F_{jk}(q, \theta)$ models the dynamics between r_k to w_j , $k \in \mathcal{P}_j$. The importance of including $F_{jk}(q, \theta)$ will become evident later in the paper. The prediction error is then:

$$\begin{aligned} \varepsilon_j(t, \theta) = & w_j(t) - \hat{w}_j(t|t-1, \theta) \\ = & H_j(\theta)^{-1} \left(w_j - \sum_{k \in \mathcal{D}_j} G_{jk}(\theta) w_k - \sum_{k \in \mathcal{P}_j} F_{jk}(\theta) r_k \right) \end{aligned} \quad (5)$$

where arguments q and t have been dropped for notational clarity. The parameterized transfer functions $G_{jk}(\theta)$, $k \in \mathcal{D}_j$, $F_{jk}(\theta)$, $k \in \mathcal{P}_j$, and $H_j(\theta)$ are estimated by minimizing the sum of squared (prediction) errors:

$$V_j(\theta) = \frac{1}{N} \sum_{t=0}^{N-1} \varepsilon_j^2(t, \theta). \quad (6)$$

where N is the length of the data set. Let $\hat{\theta}_N$ denote the minimizer of (6). Under standard (weak) assumptions ([21]) $\hat{\theta}_N \rightarrow \theta^*$ with probability 1 as $N \rightarrow \infty$ where

$$\theta^* = \arg \min_{\theta \in \Theta} \bar{\mathbb{E}}[\varepsilon_j^2(\cdot, \theta)] \quad \text{and} \quad \bar{\mathbb{E}} := \lim_{N \rightarrow \infty} \frac{1}{N} \sum_{t=0}^{N-1} \mathbb{E},$$

and \mathbb{E} is the expected value operator [21]. The function $\bar{\mathbb{E}}[\varepsilon_j^2(t, \theta)]$ is denoted $\bar{V}_j(\theta)$. If $G_{jk}(q, \theta^*) = G_{jk}^0$ the module transfer is estimated *consistently*.

As in closed-loop identification, identification in networks may have the problem that the disturbance affecting the ‘‘output’’ w_j is correlated to one or more of the predictor inputs. In the closed-loop identification literature several methods have been developed to deal with this problem such as the Direct and Two Stage Methods [22], [23], [24]. Both methods have been extended to a network setting [17]. Generalizations of both methods to allow for a flexible choice of predictor inputs are presented in the following subsections.

B. The Direct Method

The Direct Method for identifying $G_{ji}^0(q)$ is defined by the following algorithm.

Algorithm 1: Direct Method.

1. Select w_j as the output variable to be predicted.

2. Choose the internal and external variables to include as predictor inputs (choose \mathcal{D}_j and \mathcal{P}_j).
3. Construct the predictor (4).
4. Obtain estimates $G_{jk}(q, \hat{\theta}_N)$, $k \in \mathcal{D}_j$, $F_{jk}(q, \hat{\theta}_N)$, $k \in \mathcal{P}_j$ and $H_j(q, \hat{\theta}_N)$ by minimizing the sum of squared prediction errors (6).

In [17] Step 2 of the algorithm is replaced by a fixed choice, namely, $\mathcal{D}_j = \mathcal{N}_j$, and $\mathcal{P}_j = \emptyset$.

C. Two Stage Method

In the Two Stage Method, the predictor inputs are not internal variables, but *projections* of internal variables. The projection of w_k onto an external variable r_k is defined as follows. Any variable w_k can be written as:

$$w_k = \sum_{m \in \mathcal{R}_k} F_{km}^0 r_m + \sum_{m \in \mathcal{V}_k} H_{km}^0 v_m. \quad (7)$$

where F_{km}^0 and H_{km}^0 are proper stable transfer functions. Let $w_k^{(r_m)} := F_{km}^0 r_m$. The term $w_k^{(r_m)}$ is the projection of w_k onto causally time shifted versions of r_m (referred to as simply the projection of w_k onto r_m). If there are more external variables available, then w_k can be projected onto a set of external variables r_m , $m \in \mathcal{T}_j$, which is denoted by

$$w_k^{(\tau_j)} := \sum_{m \in \mathcal{T}_j} w_k^{(r_m)} = \sum_{m \in \mathcal{T}_j} F_{km}^0 r_m. \quad (8)$$

An estimate of $w_k^{(\tau_j)}$ can be obtained by estimating F_{km}^0 , $m \in \mathcal{T}_j$ (using a Prediction-Error Method for instance) using a parametrized model $F_{km}(q, \gamma)$ with γ a parameter vector, resulting in an estimated model $F_{km}(q, \hat{\gamma}_N)$. This model is used to generate the simulated signal:

$$\hat{w}_k^{(\tau_j)}(\hat{\gamma}_N) = \sum_{m \in \mathcal{T}_j} F_{km}(q, \hat{\gamma}_N) r_m(t).$$

The Two Stage Method is defined as follows.

Algorithm 2: Two Stage Method.

1. Select w_j as the output variable to be predicted.
2. Choose the external variables to project onto (choose \mathcal{T}_j).
3. Choose the internal and external variables to include as predictor inputs (choose \mathcal{D}_j and \mathcal{P}_j).
4. Obtain estimates $\hat{w}_k^{(\tau_j)}$ of $w_k^{(\tau_j)}$ for each $k \in \mathcal{D}_j$.
5. Construct the predictor

$$\hat{w}_j(t|t-1, \theta) = \sum_{k \in \mathcal{D}_j} G_{jk}(\theta) \hat{w}_k^{(\tau_j)} + \sum_{k \in \mathcal{P}_j} F_{jk}(\theta) r_k. \quad (9)$$

6. Obtain estimates $G_{jk}(q, \hat{\theta}_N)$, $k \in \mathcal{D}_j$ and $F_{jk}(q, \hat{\theta}_N)$, $k \in \mathcal{P}_j$ by minimizing the sum of squared prediction errors (6).

This algorithm is a generalization of the one in [17].

Remark 1: In Step 5 of the algorithm a noise model is optional. For simplicity it is not included in (9).

IV. CONSISTENT IDENTIFICATION ON THE BASIS OF A SUBSET OF PREDICTOR INPUT VARIABLES

When only a subset of all node variables in a network is available from measurements, a relevant question becomes: what are the dynamical relationships between the nodes in this subset of measured variables? In Section IV-A it is shown that when only a selected subset of internal variables is considered, the dynamic relationships between these variables can be described by an immersed network. Several properties of the immersed network are investigated. In Section IV-B it is shown under which conditions the dynamics that appear between two internal variables remain invariant when reducing the original network to the immersed one. In Section IV-C the results of identification in networks are characterized. It is shown that it is the dynamics of the modules in the immersed network that are being identified, and conditions for consistency of general identification results are formulated. The results presented in this section are independent of an identification method.

A. The Immersed Network

In this subsection, we show that there exists a unique dynamic network consisting only of a given subset of internal variables, that still exactly describes the dynamics between the selected variables. Moreover, we show that this network can be constructed by applying an algorithm from graph theory for constructing an immersed graph. Given the selected variables w_k , $k \in \{j\} \cup \mathcal{D}_j$, the remaining variables w_n , $n \in \mathcal{Z}_j$ are sequentially removed from the network.

The following proposition shows that there is a unique characterization of the dynamics between the selected variables.

Proposition 1: Consider a dynamic network as defined in Section II-A that satisfies Assumption 1. Consider the set of internal variables $\{w_k\}$, $k \in \mathcal{D}_j \cup \{j\}$. There exists a network:

$$\begin{bmatrix} w_j(t) \\ w_{\mathcal{D}}(t) \end{bmatrix} = \check{G}^0(q, \mathcal{D}_j) \begin{bmatrix} w_j(t) \\ w_{\mathcal{D}}(t) \end{bmatrix} + \check{F}^0(q, \mathcal{D}_j) \begin{bmatrix} r_j(t) + v_j(t) \\ r_{\mathcal{D}}(t) + v_{\mathcal{D}}(t) \\ r_{\mathcal{Z}}(t) + v_{\mathcal{Z}}(t) \end{bmatrix}, \quad (10)$$

where \check{G}^0 and \check{F}^0 are unique transfer matrices of the form (using a notation analogous to that of (3)):

$$\check{G}^0 = \begin{bmatrix} 0 & \check{G}_{j\mathcal{D}}^0 \\ \check{G}_{\mathcal{D}j}^0 & \check{G}_{\mathcal{D}\mathcal{D}}^0 \end{bmatrix} \quad \text{and} \quad \check{F}^0 = \begin{bmatrix} \check{F}_{jj}^0 & 0 & \check{F}_{j\mathcal{Z}}^0 \\ 0 & \check{F}_{\mathcal{D}\mathcal{D}}^0 & \check{F}_{\mathcal{D}\mathcal{Z}}^0 \end{bmatrix}, \quad (11)$$

where $\check{G}_{\mathcal{D}\mathcal{D}}^0$ has zeros on the diagonal, $\check{F}_{\mathcal{D}\mathcal{D}}^0$ is diagonal, and if there is an index ℓ such that both v_ℓ and r_ℓ are not present, then the corresponding column of \check{F}^0 is set to all zeros. \square See Appendix X-A for the proof. Proposition 1 is in line with the result of [25] where conditions have been formulated for the existence of a unique interconnection matrix \check{G}^0 on the basis of a transfer function from external inputs to node signals. The conditions in [25] typically reflect that enough entries of \check{G}^0 and \check{F}^0 are known (or set to zero as in our case). Proposition 1 is formulated for a particular structure, that matches with our dynamic network setup. Enforcing \check{G}^0 to have zeros on the diagonal results in a network that does not have any ‘‘self-loops’’, i.e. no paths that enter and leave the same node. This matches the assumptions imposed on the data

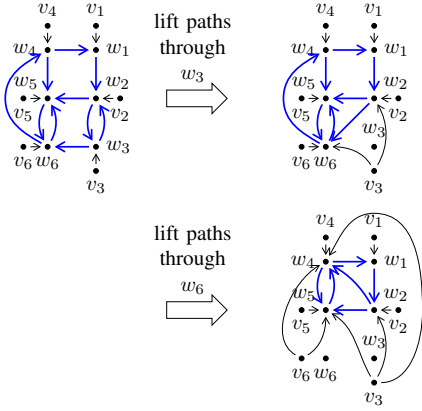


Fig. 2. Example of constructing an immersion graph. In Step 1 internal variable w_3 is removed, and in step 2 variable w_6 . Edges between w 's have been emphasized in thick black lines since these connections define the interconnection structure of the corresponding dynamic network.

generating system (2). Enforcing the leading square matrix of \tilde{F}^0 to be diagonal results in a network where each r_k , $k \in \mathcal{D}_j \cup \{j\}$ only has a path to the corresponding internal variable w_k (matching the interconnection structure of (2)). The effect of the remaining external variables is encoded in F_{jz}^0 and F_{DZ}^0 without any pre-defined zero entries.

Denote the noise in (10) as:

$$\begin{bmatrix} \check{v}_j \\ \check{v}_D \end{bmatrix} = \begin{bmatrix} \check{F}_{jj}^0 & 0 \\ 0 & \check{F}_{DD}^0 \end{bmatrix} \begin{bmatrix} v_j \\ v_D \end{bmatrix} + \begin{bmatrix} \check{F}_{jz}^0 \\ \check{F}_{DZ}^0 \end{bmatrix} v_z. \quad (12)$$

Then by the Spectral Factorization Theorem [26], there exists a unique, monic, stable, minimum phase spectral factor \check{H}^0 :

$$\begin{bmatrix} \check{v}_j \\ \check{v}_D \end{bmatrix} = \begin{bmatrix} \check{H}_{jj}^0 & \check{H}_{jD}^0 \\ \check{H}_{Dj}^0 & \check{H}_{DD}^0 \end{bmatrix} \begin{bmatrix} \check{e}_j \\ \check{e}_D \end{bmatrix}. \quad (13)$$

where $[\check{e}_j \check{e}_D^T]^T$ is a white noise process.

In the following text it is shown that a network of the form (10) can be constructed using ideas from graph theory.

In graph theory, one way to remove nodes from a graph is by constructing an *immersed* graph. A graph \mathbb{G}' is an immersion of \mathbb{G} if \mathbb{G}' can be constructed from \mathbb{G} by lifting pairs of adjacent edges and then deleting isolated nodes [27]. *Lifting* an edge is defined as follows. Given three adjacent nodes a , b , c , connected by edges ab and bc , the lifting of path abc is defined as removing edges ab and bc and replacing them with the edge ac . In Fig. 2 an immersed graph of the network of Example 1 is constructed by first removing the node w_3 and connecting v_3 to w_2 and w_6 , and subsequently removing w_6 and connecting v_6 to w_5 and w_4 .

In this way an *immersed network* can be constructed by an algorithm that manipulates the dynamics of the network iteratively. To keep track of the changes in the transfer functions iteratively, let $G_{mn}^{(i)}$ and $F_{mn}^{(i)}$ denote the transfer functions of the direct connections w_n to w_m and from r_n and v_n to w_m , respectively, at iteration i of the algorithm.

Algorithm 3: Constructing an immersed network.

1. **Initialize.** Start with the original network:

- $G_{mn}^{(0)} = G_{mn}^0$ for all $m, n \in \{1, \dots, L\}$, and
- $F_{kk}^{(0)} = 1$, for all $k \in \mathcal{R} \cup \mathcal{V}$, $F_{mn}^{(0)} = 0$ otherwise.

2. Remove each w_k , $k \in \mathcal{Z}_j$ from the network, one at a time. Let $d = \text{card}(\mathcal{Z}_j)$. Let $\mathcal{Z}_j = \{k_1, \dots, k_d\}$.
for $i = 1 : d$

- Let \mathcal{I}_{k_i} denote the set of internal variables with edges to w_{k_i} . Let \mathcal{O}_{k_i} denote the set of nodes with edges from w_{k_i} . Lift all paths $w_n \rightarrow w_{k_i} \rightarrow w_m$, $n \in \mathcal{I}_{k_i}$, $m \in \mathcal{O}_{k_i}$. The transfer function of each new edge from $w_n \rightarrow w_m$ is $G_{mn}^{(i)} = G_{mk_i}^{(i-1)} G_{k_i n}^{(i-1)}$.
- Let $\mathcal{I}_{k_i}^r$ denote the set of external or disturbance variables with edges to w_{k_i} . Lift all paths $r_n \rightarrow w_{k_i} \rightarrow w_m$, $n \in \mathcal{I}_{k_i}^r$, $m \in \mathcal{O}_{k_i}$. The transfer function for each new edge from $r_n \rightarrow w_m$ is $F_{nm}^{(i)} = F_{nk_i}^{(i-1)} G_{k_i n}^{(i-1)}$.
- If there are multiple edges between two nodes, merge the edges into one edge. The transfer function of the merged edge is equal to the sum of the transfer functions of the edges that are merged.
- remove the node w_{k_i} from the network.

end

3. Remove all self-loops from the network. If node w_m has a self loop, then divide all the edges entering w_m by $(1 - G_{mm}^{(d)}(q))$ (i.e. one minus the loop transfer function). \square

Let \check{G}^{i^0} and \check{F}^{i^0} denote the final transfer matrices of the immersed network.

Remark 2: Algorithm 3 has a close connection to Mason's Rules [28], [29]. However, Mason was mainly concerned with the calculation of the transfer function from the *sources* (external and noise variables) to a *sink* (internal variable). This is equivalent to obtaining the immersed network with $\mathcal{D}_j = \emptyset$, i.e. all internal variables except one are removed. Importantly, Algorithm 3 is an iterative algorithm which allows for easy implementation (even for large networks), whereas Mason's rules are not iterative and complicated even for small networks.

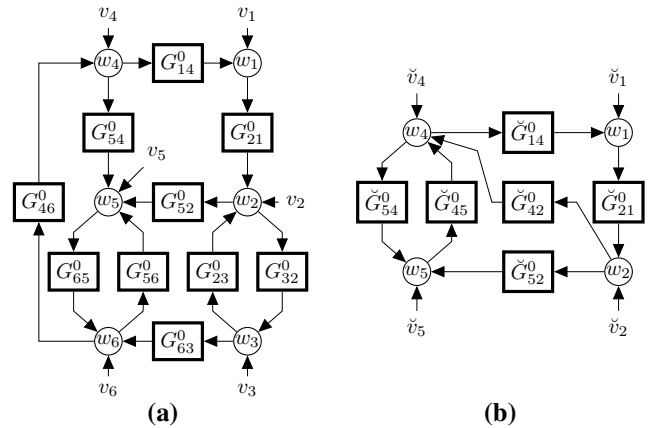


Fig. 3. (a) Original dynamic network considered in Example 2. (b) Immersed network with w_3 and w_6 removed.

Example 2: Consider the dynamic network shown in Figure 3a. The graph of this network is shown in the first graph of Fig. 2. Suppose w_3 and w_6 are to be removed from the network (i.e. $\mathcal{Z}_j = \{3, 6\}$). By Algorithm 3 the network shown in Figure 3b

results. The transfer functions of the immersed network are:

$$\check{G}^{i^0}(q, \mathcal{D}_j) = \begin{bmatrix} 0 & 0 & G_{14}^0 & 0 \\ \frac{G_{21}^0}{1-G_{23}^0 G_{32}^0} & 0 & 0 & 0 \\ 0 & G_{32}^0 G_{46}^0 G_{63}^0 & 0 & G_{46}^0 G_{65}^0 \\ 0 & \frac{G_{52}^0 + G_{56}^0 G_{63}^0 G_{32}^0}{1-G_{56}^0 G_{65}^0} & \frac{G_{54}^0}{1-G_{56}^0 G_{65}^0} & 0 \end{bmatrix}$$

$$\check{F}^{i^0}(q, \mathcal{D}_j) = \begin{bmatrix} 1 & 0 & 0 & 0 & 0 \\ 0 & \frac{1}{1-G_{23}^0 G_{32}^0} & 0 & 0 & \frac{G_{23}^0}{1-G_{23}^0 G_{32}^0} \\ 0 & 0 & 1 & 0 & G_{46}^0 G_{63}^0 \\ 0 & 0 & 0 & \frac{1}{1-G_{56}^0 G_{65}^0} & \frac{G_{56}^0 G_{63}^0}{1-G_{56}^0 G_{65}^0} \\ 0 & 0 & 0 & \frac{G_{56}^0 G_{63}^0}{1-G_{56}^0 G_{65}^0} & \frac{G_{56}^0}{1-G_{56}^0 G_{65}^0} \end{bmatrix}.$$

Note that the immersed network (shown in Figure 3b) is represented by the last graph shown in Figure 2. \square

Interestingly, the matrix \check{F}^{i^0} in Example 2 has the same structure as that of \check{F}^0 in Proposition 1. This alludes to a connection between the network characterized in (10) and immersed networks as defined by Algorithm 3.

Proposition 2: The matrices \check{G}^0 and \check{F}^0 of the network characterized by (10) and the matrices \check{G}^{i^0} and \check{F}^{i^0} defined by Algorithm 3 are the same. \square

The proof is in Appendix X-B. Since, by Proposition 2 the matrices in (10) are the same as those of the immersed network, the superscript i will be dropped from this point on in the matrices defined by Algorithm 3. An important consequence of Proposition 2 is that (by Proposition 1) the immersed network is unique.

Instead of calculating the matrices of the immersed network iteratively, it is also possible to derive analytic expressions for the matrices \check{G}^0 and \check{F}^0 .

Proposition 3: Consider a dynamic network as defined in (2) that satisfies Assumption 1. For a given set $\{j\} \cup \mathcal{D}_j$ the transfer function matrices \check{G}^0 and \check{F}^0 of the immersed network are:²

$$\begin{bmatrix} 0 & \check{G}_{j\mathcal{D}}^0 \\ \check{G}_{\mathcal{D}j}^0 & \check{G}_{\mathcal{D}\mathcal{D}}^0 \end{bmatrix} = \begin{bmatrix} 1 - \check{G}_{jj} & \\ & I - \text{diag}(\check{G}_{\mathcal{D}\mathcal{D}}^0) \end{bmatrix}^{-1} \begin{bmatrix} 0 & \check{G}_{j\mathcal{D}}^0 \\ \check{G}_{\mathcal{D}j}^0 & \check{G}_{\mathcal{D}\mathcal{D}}^0 - \text{diag}(\check{G}_{\mathcal{D}\mathcal{D}}^0) \end{bmatrix}$$

$$\begin{bmatrix} \check{F}_{jj}^0 & 0 & \check{F}_{j\mathcal{Z}}^0 \\ 0 & \check{F}_{\mathcal{D}\mathcal{D}}^0 & \check{F}_{\mathcal{D}\mathcal{Z}}^0 \end{bmatrix} = \begin{bmatrix} 1 - \check{G}_{jj} & \\ & I - \text{diag}(\check{G}_{\mathcal{D}\mathcal{D}}^0) \end{bmatrix}^{-1} \begin{bmatrix} 1 & 0 & \check{F}_{j\mathcal{Z}}^0 \\ 0 & I & \check{F}_{\mathcal{D}\mathcal{Z}}^0 \end{bmatrix}$$

where

$$\begin{bmatrix} \check{G}_{jj} & \check{G}_{j\mathcal{D}} \\ \check{G}_{\mathcal{D}j} & \check{G}_{\mathcal{D}\mathcal{D}} \end{bmatrix} = \begin{bmatrix} 0 & G_{j\mathcal{D}}^0 \\ G_{\mathcal{D}j}^0 & G_{\mathcal{D}\mathcal{D}}^0 \end{bmatrix} + \begin{bmatrix} G_{j\mathcal{Z}}^0 \\ G_{\mathcal{D}\mathcal{Z}}^0 \end{bmatrix} (I - G_{\mathcal{Z}\mathcal{Z}}^0)^{-1} \begin{bmatrix} G_{\mathcal{Z}j}^0 & G_{\mathcal{Z}\mathcal{D}}^0 \end{bmatrix},$$

$$\begin{bmatrix} \check{F}_{j\mathcal{Z}} \\ \check{F}_{\mathcal{D}\mathcal{Z}} \end{bmatrix} = \begin{bmatrix} G_{j\mathcal{Z}}^0 \\ G_{\mathcal{D}\mathcal{Z}}^0 \end{bmatrix} (I - G_{\mathcal{Z}\mathcal{Z}}^0)^{-1}. \quad \square$$

The proof is in Appendix X-C. The transfer functions \check{G}_{mn} correspond to $G_{mn}^{(d)}$ in Step 3 of Algorithm 3.

The immersed network inherits some useful properties from the original network.

Lemma 1: Consider a dynamic network as defined in (2) that satisfies Assumption 1 and a given set $\{j\} \cup \mathcal{D}_j$.

1. Consider the paths from w_n to w_m , $n, m \in \mathcal{D}_j$ that pass only through nodes w_ℓ , $\ell \in \mathcal{Z}_j$ in the original network. If

²The arguments q or \mathcal{D}_j (or both) of $\check{G}_{jk}^0(q, \mathcal{D}_j)$ and $\check{F}_{jk}^0(q, \mathcal{D}_j)$ are sometimes dropped for notational clarity.

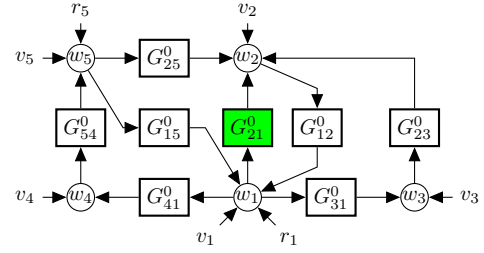


Fig. 4. Network analyzed in Examples 3 and 7.

all these paths and $G_{mn}^0(q)$ have a delay (are zero), then $\check{G}_{mn}^0(q, \mathcal{D}_j)$ has a delay (is zero).

2. Consider the paths from r_n to w_m (or v_n to w_m), $n \in \mathcal{Z}_j$, $m \in \mathcal{D}_j$. If all these paths pass through at least one node w_ℓ , $\ell \in \mathcal{D}_j$ then $\check{F}_{mn}^0(q, \mathcal{D}_j) = 0$.

For a proof see Appendix X-D.

B. Conditions to Ensure $\check{G}_{ji}^0(q, \mathcal{D}_j) = G_{ji}^0(q)$

A central theme in the previous section was that the transfer function $\check{G}_{ji}^0(\mathcal{D}_j)$ in the immersed network may not be the same as the transfer function G_{ji}^0 in the original network. In other words, by selecting a subset of internal variables to be taken into account, the dynamics between two internal variables might change. In this section conditions are presented under which the module of interest, G_{ji}^0 , remains unchanged in the immersed network, i.e. $\check{G}_{ji}^0(q, \mathcal{D}_j) = G_{ji}^0(q)$.

The following two examples illustrate two different phenomena related to the interconnection structure that can cause the dynamics $\check{G}_{ji}^0(q, \mathcal{D}_j)$ to be different from $G_{ji}^0(q)$.

Example 3: Consider the dynamic network

$$\begin{bmatrix} w_1 \\ w_2 \\ w_3 \\ w_4 \\ w_5 \end{bmatrix} = \begin{bmatrix} 0 & G_{12}^0 & 0 & 0 & G_{15}^0 \\ G_{21}^0 & 0 & G_{23}^0 & 0 & G_{25}^0 \\ G_{31}^0 & 0 & 0 & 0 & 0 \\ G_{41}^0 & 0 & 0 & 0 & 0 \\ 0 & 0 & 0 & G_{54}^0 & 0 \end{bmatrix} \begin{bmatrix} w_1 \\ w_2 \\ w_3 \\ w_4 \\ w_5 \end{bmatrix} + \begin{bmatrix} v_1 + r_1 \\ v_2 \\ v_3 \\ v_4 \\ v_5 + r_5 \end{bmatrix}.$$

shown in Fig. 4. The objective of this example, is to choose \mathcal{D}_2 such that in the immersed network $\check{G}_{21}^0(\mathcal{D}_2) = G_{21}^0$ (denoted in green). A key feature of the interconnection structure in this example is that there are multiple paths from w_1 to w_2 : $w_1 \rightarrow w_2$, $w_1 \rightarrow w_3 \rightarrow w_2$, $w_1 \rightarrow w_4 \rightarrow w_5 \rightarrow w_2$, etc..

Start by choosing $\mathcal{D}_2 = \{1\}$, then by Proposition 3,

$$\check{G}_{21}^0(q, \{1\}) = G_{21}^0(q) + G_{23}^0(q)G_{31}^0(q) + G_{25}^0(q)G_{54}^0(q)G_{41}^0(q).$$

Two of the terms comprising this transfer function correspond to the two paths from w_1 to w_2 that pass only through w_k , $k \in \mathcal{Z}_2$ ($\mathcal{Z}_2 = \{3, 4, 5\}$). From Algorithm 3 this is not surprising since the paths $G_{23}^0 G_{31}^0$ and $G_{25}^0 G_{54}^0 G_{41}^0$ must be lifted to remove the nodes w_3 , w_4 and w_5 from the original network. Clearly, for this choice of \mathcal{D}_2 , $\check{G}_{21}^0(\mathcal{D}_2) \neq G_{21}^0$.

Now choose $\mathcal{D}_2 = \{1, 5\}$. By Proposition 3

$$\check{G}_{21}^0(q, \{1, 5\}) = G_{21}^0(q) + G_{23}^0(q)G_{31}^0(q).$$

Again, one of the terms comprising $\check{G}_{21}^0(q, \{1, 5\})$ corresponds to the (only) path from w_1 to w_2 that passes only through w_k , $k \in \mathcal{Z}_2$ ($\mathcal{Z}_2 = \{3, 4\}$).

Finally, choose $\mathcal{D}_2 = \{1, 3, 5\}$. By Proposition 3 $\check{G}_{21}^0(q, \{1, 3, 5\}) = G_{21}^0(q)$ as desired. Note that for this choice of \mathcal{D}_2 every path except G_{21}^0 from w_2 to w_1 is "blocked" by a node in \mathcal{D}_2 . \square

In general, one internal variable w_k from every independent path w_i to w_j must be included in \mathcal{D}_j to ensure that $\check{G}_{ji}^0(q, \mathcal{D}_j) = G_{ji}^0(q)$. This is proved later in Proposition 4.

However, before presenting the proposition, there is a second phenomenon related to the interconnection structure of the network that can cause the dynamics $\check{G}_{ji}^0(q, \mathcal{D}_j)$ to be different from $G_{ji}^0(q)$, as illustrated in the next example.

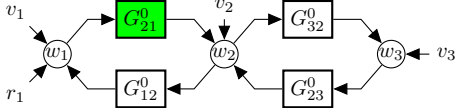


Fig. 5. Network that is analyzed in Example 4.

Example 4: Consider the network shown in Fig. 5. The objective of this example, is to choose \mathcal{D}_2 such that in the immersed network $\check{G}_{21}^0(\mathcal{D}_2) = G_{21}^0$ (denoted in green).

Note that in this network there is only one independent path from w_1 to w_2 . Choose $\mathcal{D}_2 = \{1\}$. By Proposition 3

$$\check{G}_{21}^0(q, \{1\}) = \frac{G_{21}^0(q)}{1 - G_{23}^0(q)G_{32}^0(q)}$$

which is not equal to $G_{21}^0(q)$ as desired. The reason the factor $\frac{1}{1 - G_{23}^0 G_{32}^0}$ appears is because when lifting the path $G_{23}G_{32}$ a self-loop from w_2 to w_2 results. Thus, in step 3 of Algorithm 3 the transfer functions of the edges coming into w_2 are divided by the loop transfer function.

For the choice $\mathcal{D}_2 = \{1, 3\}$, $\check{G}_{21}^0(\{1, 3\}) = G_{21}^0$ as desired. Note that in for this choice of \mathcal{D}_2 , all paths from w_2 to w_2 are "blocked" by a node in \mathcal{D}_2 . \square

In general, if \mathcal{D}_j is chosen such that no self-loops from w_j to w_j result due to the lifting of the paths when constructing the immersed network, the denominator in Step 3 of Algorithm 3 is reduced to 1. From these two examples we see that:

- Every parallel path from w_i to w_j should run through an input in the predictor model, and
- Every loop on the output w_j should run through an input in the predictor model.

This is formalized in the following proposition.

Proposition 4: Consider a dynamic network as defined in Section II-A that satisfies Assumption 1. The transfer function $\check{G}_{ji}^0(q, \mathcal{D}_j)$ in the immersed network is equal to $G_{ji}^0(q)$ if \mathcal{D}_j satisfies the following conditions:

- $i \in \mathcal{D}_j, j \notin \mathcal{D}_j$,
- every path w_i to w_j , excluding the path G_{ji}^0 , goes through a node $w_k, k \in \mathcal{D}_j$,
- every loop w_j to w_j goes through a node $w_k, k \in \mathcal{D}_j$. \square

The proof is in Appendix X-E. The formulated conditions are used to make appropriate selections for the node variables that are to be measured and to be used as predictor inputs. In the following section it is shown that it is possible to identify the dynamics of the immersed network.

C. Estimated Dynamics in Predictor Model

In this section it is shown that the estimated dynamics between the predictor inputs and the module output w_j , are equal to $\check{G}_{jk}^0(\mathcal{D}_j)$. The result confirms that the estimated dynamics are a consequence of the interconnection structure and the chosen predictor inputs. In addition conditions are presented that ensure that the estimates of $\check{G}_{jk}^0(\mathcal{D}_j)$ are consistent. The results in this section are not specific to a particular identification method.

To concisely present the result, it is convenient to have a notation for a predictor which is a generalization of both the Direct and Two Stage Methods. Consider the predictor

$$\hat{w}_j(t|t-1, \theta) = H_j^{-1}(q, \theta) \left(\sum_{k \in \mathcal{D}_j} G_{jk}(q, \theta) w_k^{(\mathcal{X})}(t) + \sum_{k \in \mathcal{P}_j} F_{jk}(q, \theta) r_k(t) \right) + (1 - H_j^{-1}(q, \theta)) w_j(t) \quad (14)$$

where \mathcal{X} denotes a (sub)set of the variables $r_k, v_k, k \in \{1, \dots, L\}$. Note that both predictors (4) and (9) are special cases of the predictor (14). For the Direct Method, choose $\mathcal{X} = \{r_{k_1}, \dots, r_{k_n}, v_{\ell_1}, \dots, v_{\ell_n}\}$, where $\{k_1, \dots, k_n\} = \mathcal{R}$, and $\{\ell_1, \dots, \ell_n\} = \mathcal{V}$. Then $w_k^{(\mathcal{X})} = w_k$. For the Two Stage Method, choose $\mathcal{X} = \{r_{k_1}, \dots, r_{k_n}\}$, where $\{k_1, \dots, k_n\} = \mathcal{T}_j$.

A key concept in the analysis of this section is the *optimal output error residual*, which will be discussed next. From (10), w_j can be expressed in terms of $w_k, k \in \mathcal{D}_j$ as

$$w_j = \sum_{k \in \mathcal{D}_j} \check{G}_{jk}^0 w_k + \sum_{k \in \mathcal{Z}_j \cap \mathcal{R}_j} \check{F}_{jk}^0 r_k + \sum_{k \in \mathcal{Z}_j \cap \mathcal{V}_j} \check{F}_{jk}^0 v_k + v_j + r_j. \quad (15)$$

Note that by Lemma 1 some $\check{F}_{jk}^0(q, \mathcal{D}_j)$ may be zero depending on the interconnection structure. Let w_k be expressed in terms of a component dependent on the variables in \mathcal{X} , and a component dependent on the remaining variables, denoted $w_k = w_k^{(\mathcal{X})} + w_k^{(\perp \mathcal{X})}$. In addition, split the sum involving the r_k -dependent terms according to whether r_k is in \mathcal{P}_j or not. Then, from (15):

$$w_j = \sum_{k \in \mathcal{D}_j} \check{G}_{jk}^0 w_k^{(\mathcal{X})} + \sum_{k \in \mathcal{D}_j} \check{G}_{jk}^0 w_k^{(\perp \mathcal{X})} + \sum_{k \in \mathcal{P}_j} \check{F}_{jk}^0 r_k + \sum_{k \in ((\mathcal{Z}_j \cup \{j\}) \cap \mathcal{R}_j) \setminus \mathcal{P}_j} \check{F}_{jk}^0 r_k + \sum_{k \in \mathcal{Z}_j \cap \mathcal{V}_j} \check{F}_{jk}^0 v_k + v_j. \quad (16)$$

When choosing an Output Error predictor (i.e. $H_j(q, \theta) = 1$), with predictor inputs $w_k^{(\mathcal{X})}, k \in \mathcal{D}_j$ and $r_k, k \in \mathcal{P}_j$, the part of (16) that is not modeled can be lumped together into one term. This term is the *optimal output error residual* of w_j , and is denoted p_j :

$$p_j(\mathcal{D}_j) := \sum_{k \in \mathcal{D}_j} \check{G}_{jk}^0 w_k^{(\perp \mathcal{X})} + \sum_{k \in ((\mathcal{Z}_j \cup \{j\}) \cap \mathcal{R}_j) \setminus \mathcal{P}_j} \check{F}_{jk}^0 r_k + \check{v}_j, \quad (17)$$

where \check{v}_j is given by $\sum_{k \in \mathcal{Z}_j \cap \mathcal{V}_j} \check{F}_{jk}^0 v_k + v_j$ in accordance with (12). Consequently, w_j equals:

$$w_j = \sum_{k \in \mathcal{D}_j} \check{G}_{jk}^0 w_k^{(\mathcal{X})} + \sum_{k \in \mathcal{P}_j} \check{F}_{jk}^0 r_k + p_j. \quad (18)$$

In a system identification setting, the optimal output error residual of w_j acts as the effective “noise” affecting w_j (this is clear from (18)). It also corresponds to the unmodeled component of w_j .

The following theorem is the main result of this section. It characterizes conditions that correlation between the optimal output error residual of w_j and the predictor inputs must satisfy so that it is possible to obtain consistent estimates of the dynamics between the predictor inputs. Such conditions are common in the identification literature. In open-loop identification for instance it is well known that if the innovation is uncorrelated to the input consistent estimates are possible [21]. Similarly, it is known ([21]) that for the Direct Method in closed-loop, if the output noise is whitened and the whitened noise is uncorrelated to the plant input then consistent estimates of the plant are possible. The result that follows is an analogue to that reasoning adapted to identification in networks.

Theorem 1: Consider a dynamic network as defined in Section II-A that satisfies Assumption 1. Consider model structures with independently parameterized noise and module models. For given sets \mathcal{D}_j , \mathcal{P}_j , and \mathcal{X} construct the predictor (14). Suppose the power spectral density of $[w_j \ w_{k_1}^{(x)} \ \dots \ w_{k_n}^{(x)} \ r_{\ell_1} \ \dots \ r_{\ell_m}]^T$ where $\{k_1, \dots, k_n\} = \mathcal{D}_j$, $\{\ell_1, \dots, \ell_m\} = \mathcal{P}_j$ is positive definite for a sufficiently large number of frequencies $\omega_k \in (-\pi, \pi]$. Consider the conditions:

- (a) $\mathbb{E}[H_j^{-1}(q, \eta)p_j(t, \mathcal{D}_j) \cdot \Delta G_{jk}(q, \theta, \mathcal{D}_j)w_k^{(x)}(t)] = 0, \forall k \in \mathcal{D}_j$,
- (b) $\mathbb{E}[H_j^{-1}(q, \eta)p_j(t, \mathcal{D}_j) \cdot \Delta F_{jk}(q, \theta, \mathcal{D}_j)r_k(t)] = 0, \forall k \in \mathcal{P}_j$,

where $\Delta G_{jk}(\theta, \mathcal{D}_j) = \check{G}_{jk}^0(\mathcal{D}_j) - G_{jk}(\theta)$, and $\Delta F_{jk}(\theta, \mathcal{D}_j) = \check{F}_{jk}^0(\mathcal{D}_j) - F_{jk}(\theta)$.

Then $G_{jk}(q, \theta^*) = \check{G}_{jk}^0(q, \mathcal{D}_j)$, where $\check{G}_{jk}^0(q, \mathcal{D}_j)$ is defined in Proposition 3, if for all $\theta \in \Theta$:

1. Conditions (a) and (b) hold for all η , or
2. The equations of Conditions (a) and (b) hold for η^* only, where $\eta^* = \arg \min \mathbb{E}[(H_j^{-1}(q, \eta)p_j(t, \mathcal{D}_j))^2]$, and $H_j^{-1}(q, \eta^*)p_j(t, \mathcal{D}_j)$ is white noise. \square

The proof can be found in Appendix X-F. The theorem can be interpreted as follows. In Case 1, consistent estimates are possible if the predictor inputs are uncorrelated to the optimal output error residual of w_j . This is analogous to the open loop situation. In Case 2, consistent estimates are possible if the whitened version of the optimal output error residual of w_j is uncorrelated to the predictor inputs. This is analogous to the closed-loop Direct Method reasoning.

The condition on the power spectral density of $[w_j \ w_{k_1}^{(x)} \ \dots \ w_{k_n}^{(x)} \ r_{\ell_1} \ \dots \ r_{\ell_m}]^T$ is a condition on the informativity of the data [30] (i.e. the data must be persistently exciting of sufficiently high order).

The main point of Theorem 1 is twofold:

1. The estimated transfer functions $G_{jk}(q, \theta^*)$ are consequences of the choice of \mathcal{D}_j . In particular, they are estimates of the transfer functions $\check{G}_{jk}^0(q, \mathcal{D}_j)$ specified by the immersed network.
2. To present general conditions under which consistent estimates (of $\check{G}_{jk}^0(q, \mathcal{D}_j)$) are possible.

Theorem 1 points to a notion of identifiability. For a given set \mathcal{D}_j , a particular module G_{ji}^0 is identifiable if $\check{G}_{ji}^0 = G_{ji}^0$. Thus, if the conditions of Proposition 4 are satisfied for a given set \mathcal{D}_j , then G_{ji}^0 is identifiable.

In the next two sections it is shown how Theorem 1 applies to both the Direct and Two Stage Methods respectively.

V. PREDICTOR INPUT SELECTION - DIRECT METHOD

In this section it is shown how to satisfy the conditions of Theorem 1 using the Direct Method.

When using the Direct Method for identification in dynamic networks, there are three main mechanisms that ensure consistent estimates of G_{ji}^0 [19], [17] (the same mechanisms are present in the closed-loop Direct Method [21], [24], [23]):

1. the noise v_j affecting the output w_j is uncorrelated to all other noise terms $v_n, n \in \mathcal{V}_j$,
2. every loop that passes through w_j in the data generating system contains at least one delay, and
3. there exists a θ such that $H_j^{-1}(\theta)v_j = \check{e}_j$ is white noise.

In Proposition 2 of [17] it is shown that for the choice $\mathcal{D}_j = \mathcal{N}_j$ and $\mathcal{P}_j = \emptyset$, these conditions plus a condition on the informativity of the data are sufficient in order to obtain consistent estimates of a module G_{ji}^0 embedded in the network. In the setup considered in this paper an additional mechanism plays a role, namely the choice of predictor inputs.

The following proposition presents conditions on the immersed network that ensure that Case 2 of Theorem 1 holds. The conditions reflect the three mechanisms presented above.

Proposition 5: Consider a dynamic network as defined in (2) that satisfies Assumption 1. Consider the immersed network constructed by removing $w_n, n \in \mathcal{Z}_j$ from the original network. The situation of Case 2 of Theorem 1 holds for the immersed network if:

- (a) \check{v}_j is uncorrelated to all $\check{v}_k, k \in \mathcal{D}_j$.
- (b) There is a delay in every loop w_j to w_j (in the immersed network).
- (c) If \check{G}_{jk}^0 has a delay, then $G_{jk}(\theta)$ is parameterized with a delay.
- (d) p_j is not a function of any $r_n, n \in \mathcal{R}$.
- (e) There exists a η such that $H_j^{-1}(q, \eta)p_j(t)$ is white noise.

The proof can be found in Appendix X-G.

In the following subsections, the conditions of Proposition 5 are interpreted in terms of what they mean in the original network. In Subsection V-A it is shown what conditions can be imposed in the original network in order to ensure that \check{v}_j is uncorrelated to $\check{v}_k, k \in \mathcal{D}_j$ (i.e Condition (a) of Proposition 5 holds). In Subsection V-B it is shown under which conditions p_j is not a function of external variables (i.e. Condition (d) of Proposition 5 holds). In Subsection V-C a version of Proposition 5 is presented where all the conditions are stated only in terms of the original network.

A. Correlation of Noise

In this section conditions are presented that ensure that \check{v}_j is uncorrelated to $\check{v}_k, k \in \mathcal{D}_j$. The conditions are presented using only variables in the original network.

Recall from (12) that \check{v}_k is a filtered sum of $v_n, n \in \mathcal{Z}_j \cup \{k\}$,

$$\check{v}_k(t) = \sum_{n \in \mathcal{Z}_j} \check{F}_{jn}^0(q, \mathcal{D}_j) v_n + \check{F}_{jj}^0(q, \mathcal{D}_j) v_j(t). \quad (19)$$

Consider 2 variables \check{v}_{k_1} and \check{v}_{k_2} . Suppose that there is a path from another variable $v_n, n \in \mathcal{Z}_j$ to both w_{k_1} and w_{k_2} . By Lemma 1 both $\check{F}_{k_1 n}^0$ and $\check{F}_{k_2 n}^0$ are non-zero in this situation. Consequently, as can be seen from (19) both \check{v}_{k_1} and \check{v}_{k_2} are functions of v_n , with the result that \check{v}_{k_1} and \check{v}_{k_2} are correlated. Thus, due to the presence of v_n and the interconnection structure of the network, \check{v}_{k_1} and \check{v}_{k_2} are correlated. In this case v_n is a *confounding variable*. In statistics, and in particular in statistical inference, a confounding variable is a variable that is not known (or measured) and causally affects both the output variable and the input variable [31]. The induced correlation between input and output is however not caused by a direct causal relation between the input and output. In the framework of this paper consider the following definition.

Definition 1: Consider a particular output variable w_j and a set \mathcal{D}_j of predictor inputs. In this modeling setup, a variable v_ℓ is a *confounding variable* if the following conditions hold:

- (a) There is a path from v_ℓ to w_j that passes only through $w_m, m \in \mathcal{Z}_j$.
- (b) There is a path from v_ℓ to one or more $w_k, k \in \mathcal{D}_j$ that passes only through $w_m, m \in \mathcal{Z}_j$. \square

The following is an example of a confounding variable.

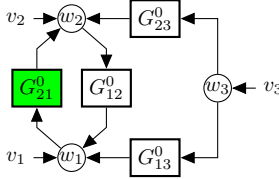


Fig. 6. Network that is analyzed in Example 5.

Example 5: Consider the network shown in Fig. 6. Suppose that the objective is to obtain a consistent estimate of G_{21}^0 (denoted in green) using the Direct Method. Let $j = 2$, and choose $\mathcal{D}_2 = \{1\}$. By Definition 1, v_3 is a confounding variable. The expressions for \check{v}_1 and \check{v}_2 for this network are:

$$\check{v}_1 = v_1 + G_{13}^0 v_3 \quad \text{and} \quad \check{v}_2 = v_2 + G_{23}^0 v_3.$$

Clearly, the confounding variable v_3 induces a correlation between \check{v}_1 and \check{v}_2 . \square

The presence of confounding variables is not the only way that \check{v}_{k_1} and \check{v}_{k_2} could become correlated. Suppose that \check{v}_{k_1} is a function of v_n , and \check{v}_{k_2} is a function of v_m . If v_n and v_m are correlated, then \check{v}_{k_1} and \check{v}_{k_2} are correlated.

The following proposition presents conditions that ensure \check{v}_j is uncorrelated to all $\check{v}_k, k \in \mathcal{D}_j$.

Proposition 6: Consider a dynamic network as defined in (2) that satisfies Assumption 1. Consider the immersed network constructed from the internal variables, $\{w_k\}, k \in \mathcal{D}_j$. The disturbance term \check{v}_j (as defined in (12)) is uncorrelated to all $\check{v}_k, k \in \mathcal{D}_j$ if the following conditions hold:

- (a) v_j is uncorrelated to all $v_k, k \in \mathcal{D}_j$ and to all variables $v_n, n \in \mathcal{Z}_j$ that have paths to any $w_k, k \in \mathcal{D}_j$ that pass only through nodes $w_\ell, \ell \in \mathcal{Z}_j$.

- (b) All $v_k, k \in \mathcal{D}_j$ are uncorrelated to all $v_n, n \in \mathcal{Z}_j$ that have a path to w_j that passes only through nodes in \mathcal{Z}_j .
- (c) All $v_n, n \in \mathcal{Z}_j$ are uncorrelated to each other
- (d) No variable $v_k, k \in \mathcal{Z}_j$ is a confounding variable.

The proof can be found in Appendix X-H.

Remark 3: Suppose that all $v_k, k \in \mathcal{V}$ are uncorrelated. Then Conditions (a) - (c) hold for any \mathcal{D}_j . However, whether Condition (d) holds depends on the interconnection structure and the choice of \mathcal{D}_j . \square

B. Adding External Excitation

External variables are not strictly necessary to ensure that the data is informative when using the direct method as long as the noise that is driving the system is sufficiently exciting. However, external excitation can be beneficial in order to reduce the variance of the estimates, or provide extra excitation in a frequency range of interest.

Whenever there is an external variable r_k acting as a “disturbance” on the output variable w_j (i.e. p_j contains an element which is due to the external variable r_k), it makes sense to model that component. This happens whenever there is a path r_k to w_j that passes only through $w_k, k \in \mathcal{Z}_j$. Thus, in this case, choose the set $\mathcal{P}_j = \{k\}$ so that r_k is included as a predictor input (i.e. the dynamics from r_k to w_j are modeled). The advantage of this scheme is that the power of the optimal output error residual is reduced by eliminating known variables from p_j , i.e. the signal to noise ratio is increased. Consequently, p_j is only a function of v 's (Condition (d) of Proposition 5 holds).

C. Main Result - Direct Method

Conditions are presented so that the Direct Method will result in consistent estimates of $\check{G}_{ji}^0(\mathcal{D}_j)$. In Proposition 5 the conditions were stated in terms of the immersed network. In the following proposition the conditions are stated in terms of the original network.

Proposition 7: Consider a dynamic network as defined in (2) that satisfies Assumption 1. Let $\{w_k\}, k \in \mathcal{D}_j$ and $\{r_k\}, k \in \mathcal{P}_j$ be the set of internal and external variables respectively that are included as inputs to the predictor (4). The set \mathcal{P}_j is constructed to satisfy the condition that $k \in \mathcal{P}_j$ if and only if there exists a path from r_k to w_j , that passes only through nodes in \mathcal{Z}_j . Consistent estimates of \check{G}_{ji}^0 are obtained using the Direct Method formulated in Algorithm 1 if the following conditions are satisfied:

- (a) There is a delay in every loop w_j to w_j .
- (b) v satisfies the conditions of Proposition 6.
- (c) The power spectral density of $[w_j \ w_{k_1} \ \dots \ w_{k_n} \ r_{\ell_1} \ \dots \ r_{\ell_m}]^T, k_* \in \mathcal{D}_j, \ell_* \in \mathcal{P}_j$ is positive definite for a sufficiently large number of frequencies $\omega_k \in (-\pi, \pi]$.
- (d) The parameterization is chosen flexible enough, i.e. there exist parameters θ and η such that $G_{jk}(q, \theta) = \check{G}_{jk}^0(q, \mathcal{D}_j), \forall k \in \mathcal{D}_j, F_{jk}(q, \theta) = \check{F}_{jk}^0(q, \mathcal{D}_j), \forall k \in \mathcal{P}_j$, and $H_j(q, \eta) = \check{H}_j^0(q, \mathcal{D}_j)$.
- (e) If \check{G}_{jk}^0 has a delay, then $G_{jk}(\theta)$ is parameterized with a delay. \square

Proof: The proof follows almost directly from Theorem 1 and Propositions 5 and 6. It remains to be shown that $p_j = \check{v}_j$ (i.e. Condition (d) of Proposition 5 holds).

By Lemma 1 \check{F}_{jk}^0 , $k \in \mathcal{D}_j$ is zero unless there is a path from r_k to w_j which passes only through w_n , $n \in \mathcal{Z}_j$. From (17) and by the way \mathcal{P}_j is constructed it follows that there are no r terms present in p_j . Consequently, $p_j = \check{v}_j$. ■

Remark 4: In Proposition 7 conditions have been presented which, if satisfied, ensure that consistent estimates of $\check{G}_{jk}^0(q, \mathcal{D}_j)$, $k \in \mathcal{D}_j$ as defined by the immersed network are obtained. If the set \mathcal{D}_j is chosen such that $\check{G}_{ji}^0(q, \mathcal{D}_j) = G_{ji}^0(q)$ (i.e. the \mathcal{D}_j is chosen such that the conditions of Proposition 4 are satisfied) then Proposition 7 shows under which conditions G_{ji}^0 can be consistently identified. □

The reason that Condition (a) and exact noise modeling are required is due to the presence of a (feedback) path from w_j to at least one w_k , $k \in \mathcal{D}_j$. If there is no such feedback, then the conditions of Proposition 7 simplify considerably. Similarly, since, it is the variable v_j that is causing the problems when there is such a feedback path, if it is not present, the conditions can be simplified.

Corollary 1: Consider the situation of Proposition 7. If there is no path from w_j to any w_k , $k \in \mathcal{D}_j$, or if v_j is not present in the network, then Conditions (a) and (e) can be omitted, and Condition (d) can be changed to:

(d*) The parameterization is chosen flexible enough, i.e. there exists a parameter θ such that $G_{jk}(q, \theta) = \check{G}_{jk}^0(q, \mathcal{D}_j)$, $\forall k \in \mathcal{D}_j$, $F_{jk}(q, \theta) = \check{F}_{jk}^0(q, \mathcal{D}_j)$, $\forall k \in \mathcal{P}_j$. □

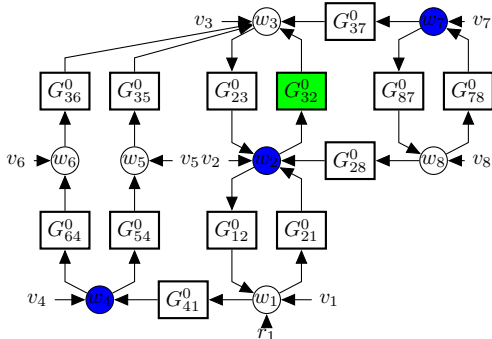


Fig. 7. Network that is analyzed in Examples 6 and 8.

Example 6: Consider the dynamic network shown in Fig. 7. Suppose the objective is to obtain consistent estimates of G_{32}^0 (denoted in green) using the Direct Method.

First, we show how to choose the set \mathcal{D}_3 such that $\check{G}_{32}^0(q, \mathcal{D}_j)$ in the immersed network is equal to $G_{32}^0(q)$ (i.e. \mathcal{D}_j is chosen such that it satisfies the conditions of Proposition 4). Besides G_{32}^0 there are several paths from w_2 to w_3 :

$$\begin{aligned} w_2 &\rightarrow w_1 \rightarrow w_4 \rightarrow w_5 \rightarrow w_3, \\ w_2 &\rightarrow w_1 \rightarrow w_4 \rightarrow w_6 \rightarrow w_3 \end{aligned}$$

for instance. All paths from w_2 to w_3 (not including G_{32}^0) pass through either the nodes w_1 and w_2 , the nodes w_4 and w_2 . Thus, Condition (b) of Proposition 4 is satisfied for $\mathcal{D}_3 = \{1, 2\}$ and $\mathcal{D}_3 = \{2, 4\}$.

Since all loops from w_3 pass through w_2 , Condition (c) of Proposition 4 is also satisfied for both these choices of \mathcal{D}_3 .

For both of these choices, v_7 and v_8 are confounding variables (Condition (b) of Proposition 7 is not satisfied). However, if w_7 is included as a predictor input, then there are no more confounding variables.

By this reasoning two possible choices for \mathcal{D}_3 that lead to consistent estimates of G_{32}^0 are $\{2, 4, 7\}$ (denoted in blue) and $\{2, 1, 7\}$. In either case, \mathcal{P}_3 should be chosen as \emptyset .

Another possible choice for $\mathcal{D}_3 = \{2, 5, 6, 7\} = \mathcal{N}_3$. It is interesting that the previous sets \mathcal{D}_3 are strictly smaller than \mathcal{N}_3 , and are not even subsets of \mathcal{N}_3 . □

The choice $\mathcal{D}_j = \mathcal{N}_j$, $\mathcal{P}_j = \emptyset$ always satisfies the Conditions of Proposition 4 and confounding variables are never present. This is the choice that is made in [17].

In the following section an analogue to Proposition 7 is presented for the Two-Stage Method.

VI. PREDICTOR INPUT SELECTION - TWO STAGE METHOD

A guiding principle to ensure consistent estimates that has been presented in Theorem 1 is that the optimal output error residual of w_j should be uncorrelated to the predictor inputs. For the Two Stage Method this condition is enforced by projecting the predictor inputs onto the external variables. Consequently, the predictor inputs are only functions of r_m , $m \in \mathcal{T}_j$. As long as the unmodeled component of w_j is not a function of r_m , $m \in \mathcal{T}_j$ then Conditions (a) and (b) of Theorem 1 are satisfied.

Proposition 8: Consider a dynamic network as defined in (2) that satisfies Assumption 1. Let $\{r_m\}$, $m \in \mathcal{T}_j$ be the external input(s) onto which will be projected. Let $\{w_k^{(\mathcal{T}_j)}\}$, $k \in \mathcal{D}_j$ and $\{r_k\}$, $k \in \mathcal{P}_j$ be the sets of (projections of) internal and external variables respectively that are included as inputs to the predictor (9). The set \mathcal{P}_j is constructed to satisfy the condition that $k \in \mathcal{P}_j$ if and only if there exists a path from r_k to w_j , $k \in \mathcal{T}_j$, that passes only through nodes in \mathcal{Z}_j . Consistent estimates of G_{ji}^0 are obtained using the Two Stage Method (Algorithm 2) if the following conditions hold:

- Every r_k , $k \in \mathcal{T}_j$ is uncorrelated to all r_m , $m \notin \mathcal{T}_j$, except those r_m for which there is no path to w_j .
- The power spectral density of $[w_{k_1}^{(\mathcal{T}_j)} \dots w_{k_n}^{(\mathcal{T}_j)} r_{m_1} \dots r_{m_n}]^T$, $k_* \in \mathcal{D}_j$, $m_* \in \mathcal{P}_j$, is positive definite for a sufficient number of frequencies $\omega_k \in (-\pi, \pi]$
- The parameterization is chosen flexible enough, i.e. there exists a parameter θ such that $G_{jk}(q, \theta) = \check{G}_{jk}^0(q, \mathcal{D}_j)$, $\forall k \in \mathcal{D}_j$, $F_{jk}(q, \theta) = \check{F}_{jk}^0(q, \mathcal{D}_j)$, $\forall k \in \mathcal{P}_j$. □

For a proof, see Appendix X-I.

Note that in order for Condition (b) to hold, there must be a path from at least one r_m , $m \in \mathcal{T}_j$ to w_i . If not, then $w_i^{(\mathcal{T}_j)} = 0$ and the power spectral density of Condition (b) will not be positive definite.

Remark 5: The condition on the order of excitation of the data (Condition (b)) can be satisfied if there is one external variable present for each predictor input. This is however just a sufficient condition. For more information on how the network dynamics add excitation to the data so that fewer external variables are required see [32] for instance. □

Remark 6: In the discussion thus far, we have not allowed the choice of w_j as a predictor input (by Condition (a) in

Proposition 4, j is not allowed to be in \mathcal{D}_j). It can be shown that w_j can be used as a predictor input to consistently identify G_{ji}^0 using the Two-Stage method if r_j is present (and Conditions (a) - (c) of Proposition 8 are satisfied). Moreover, it can also be shown that if r_j is not present, then it is not possible to choose w_j as a predictor input to consistently identify G_{ji}^0 using the Two-Stage Method (as proved in [33]). The advantage of choosing w_j as a predictor input is that Condition (c) of Proposition 4 is automatically satisfied without including any other variables. \square

Remark 7: The Conditions presented in Proposition 8 do not change if there is measurement noise present on the measurements of w_k , $k \in \mathcal{D}_j$. The Two Stage method still results in consistent estimates of G_{ji}^0 in the presence of measurement noise, as long as the r 's are exactly known. This observation is further explored and generalized in [34]. \square

Compare the conditions of the Direct and Two Stage Methods. For the Two Stage Method there are no restrictions on algebraic loops, the correlation of the noise terms, or the presence of confounding variables. However, to use the Two Stage Method at least one external variable r_m must be present that affects w_i (this is not the case for the Direct Method). Moreover, the excitation conditions of the Two Stage Method are stricter than those of the Direct Method.

From the perspective of reducing the variance of an estimate, it is desirable to project onto as many external variables as possible, since this increases the power of the predictor inputs relative to the optimal output error residual (not projecting onto a particular external variable means that the power of the predictor inputs is less, and that particular external variable becomes part of the unmodeled component of the output, increasing the power of the optimal output error residual).

Example 7: Recall the network of Example 3 shown in Fig. 4. Suppose that the objective is to obtain an estimate of G_{21}^0 (denoted in green) using the Two Stage Method. Choose an output error model structure ($H_2(q, \theta) = 1$). Choose $\mathcal{D}_2 = \{1, 3, 4\}$. For this choice of \mathcal{D}_2 all conditions of Proposition 4 are satisfied, and therefore $G_{21}^0 = G_{21}^0$. To ensure that the estimate of G_{21}^0 is consistent, \mathcal{P}_2 must also be chosen properly.

Choose to project the predictor inputs onto r_1 and r_5 ($\mathcal{T}_2 = \{1, 5\}$). Thus, by Proposition 8 \mathcal{P}_2 is set to $\{5\}$, since there is a path from r_5 to w_2 that passes only through w_n $n \in \mathcal{Z}_2 = \{5\}$.

Now consider projecting only onto r_1 . In this case, by Proposition 8, \mathcal{P}_2 is set to \emptyset .

Finally, consider the choice $\mathcal{D}_2 = \{1, 2, 5\}$. Furthermore, choose to project onto both r_1 and r_5 . In this case, by Proposition 8, \mathcal{P}_2 is set to \emptyset . In this case, due to the different choice of \mathcal{D}_2 , \mathcal{P}_2 can be chosen as \emptyset even though $\mathcal{T}_2 = \{1, 5\}$ just like in the first case considered in this example. \square

Example 8: Consider the same network as in Example 6, shown in Fig. 7. Suppose the objective is to obtain consistent estimates of G_{32}^0 (marked in green) using the Two Stage Method. Choose r_1 as the external variable to project onto ($\mathcal{T}_3 = \{1\}$). By the same reasoning as in Example 6, choosing $\mathcal{D}_3 = \{1, 2\}$ or $\{2, 4\}$ satisfies the conditions of Proposition 4. However, in this case (unlike for the Direct Method) both these choices of \mathcal{D}_3 satisfy all the remaining conditions of Proposition 8 (since confounding variables are not an issue

for the Two Stage Method).

Finally, \mathcal{P}_3 must be chosen as stated in Proposition 8. There are two independent paths from r_1 to w_3 ,

$$r_1 \rightarrow w_4 \rightarrow w_6 \rightarrow w_3 \quad \text{and} \quad r_1 \rightarrow w_2 \rightarrow w_3$$

both of which pass through a variable w_n , $n \in \mathcal{D}_3$, so \mathcal{P}_3 should be chosen as \emptyset . \square

VII. ALGORITHMIC ASPECTS

In this section an algorithm is presented that provides a way to check the conditions that the set \mathcal{D}_j must satisfy in order to ensure that $G_{ji}^0(q, \mathcal{D}_j)$ of the immersed network is equal to $G_{ji}^0(q)$ of the original network (see Proposition 4). The algorithm uses tools from graph theory, therefore, before presenting the result, consider the following definitions.

Definition 2 (A-B path [35]): Given a directed graph \mathbb{G} and sets of nodes A and B . Denote the nodes in the graph by x_i . A path $\mathbb{P} = x_0 x_1 \dots x_k$, where the x_i are all distinct, is an *A-B path* if $V(\mathbb{P}) \cap A = \{x_0\}$, and $V(\mathbb{P}) \cap B = \{x_k\}$.

Definition 3 (A-B Separating Set [35]): Given a directed graph \mathbb{G} , and sets of nodes $A, B \subset V(\mathbb{G})$, a set $X \subseteq V(\mathbb{G})$ is an *A-B separating set* if the removal of the nodes in X results in a graph with no *A-B paths*.

The following notation will be useful in order to reformulate the conditions of Proposition 4 using the notion of separating sets. Let the node w_j be split into two nodes, w_j^+ to which all incoming edges (of w_j) are connected and w_j^- to which all outgoing edges (of w_j) are connected. The new node w_j^+ is connected to w_j^- with the edge $G_{j+j^-} = 1$. Let w_i^+ and w_i^- be defined analogously.

Proposition 9: The conditions of Proposition 4 can be reformulated as: the set \mathcal{D}_j is a $\{w_i^+, w_j^-\} - \{w_j^+\}$ separating set.

Proof: The conditions of Proposition 4 can be rewritten as follows. The set \mathcal{D}_j satisfies the following conditions:

1. $\mathcal{D}_j \setminus \{i\}$ is a $\{w_i\} - \{w_j\}$ separating set for the network with path G_{ji}^0 removed,
2. \mathcal{D}_j is a $\{w_j^-\} - \{w_j^+\}$ separating set.

These two conditions can be formulated as the single condition of the proposition.

Note that w_i must always be chosen to be in \mathcal{D}_j to ensure that \mathcal{D}_j is a $\{w_i^+, w_j^-\} - \{w_j^+\}$ separating set (i.e. Condition (a) of Proposition 4 is automatically satisfied). This is because there is always a path $w_i^+ \rightarrow w_i^- \rightarrow w_2^+$. Consequently, w_i^- must be chosen in the set \mathcal{D}_j . \blacksquare

The advantage of reformulating the conditions in terms of separating sets is that there exist tools from graph theory to check if a given set is a separating set or to find (the smallest possible) separating sets [35], [36].

Example 9: Consider the network shown in Fig. 8. Suppose that the objective is to obtain consistent estimates of G_{21}^0 (denoted in green). Both w_1 and w_2 have been split into two nodes as described above.

By Proposition 9 the conditions of Proposition 4 are satisfied for the given network if \mathcal{D}_2 is a $\{w_1^+, w_2^-\} - \{w_2^+\}$ separating set. The outgoing set $\{w_1^+, w_2^-\}$ is denoted in brown, and the incoming set $\{w_2^+\}$ is denoted in orange in the figure.

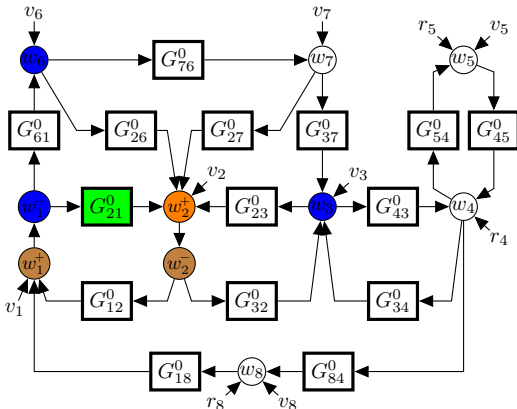


Fig. 8. Example of an interconnected network used in Example 9.

There are many possible choices of \mathcal{D}_2 , but the smallest choice, $\{w_1^-, w_6, w_3\}$, is denoted in blue. It is easy to verify that all paths from the brown set to the orange set pass through a node in the blue set. \square

VIII. DISCUSSION

The approach presented in this paper is a local approach in the sense that only a (small) subset of internal variables are required to identify a particular module embedded in the network. Therefore, even for large networks, the numerical complexity of obtaining an estimate of a particular module can be limited by proper choice of predictor inputs. If the number of predictor inputs is large it may be attractive to rely on linear regression schemes such as ARX, FIR [21] and orthogonal basis function expansions [37], as well as IV-type and subspace algorithms [21].

While we have restricted this paper to dealing with questions of consistency, variance properties of estimates will be highly relevant to consider as a function of measured node signals as predictor inputs, as well as of external variables present.

IX. CONCLUSION

In this paper, identification in dynamics networks has been investigated. In a dynamic network, unlike in open or closed loop systems, there are many options as to which variables to include as predictor inputs. It has been shown that when identifying in networks, the obtained estimates are consequences of the (chosen) set of predictor inputs. In particular, the obtained estimates are estimates of the dynamics defined by the immersed network. Conditions on the predictor inputs have been presented such that it is possible to obtain consistent estimates of a module embedded in a dynamic network using either the Direct or Two Stage methods of identification. These conditions are useful since they enable the user to design a least expensive sensor placement scheme or check if it is possible to avoid using particular variables in the identification experiment for instance.

X. APPENDIX

A. Proof of Proposition 1

Rather than checking the conditions of Theorem 2 in [25] it is more straightforward to provide a direct proof of the result.

The following Lemma is used in proving Proposition 1. The proof can be found in [33].

Lemma 2: Let \mathcal{G} be a $n \times m$ matrix of transfer functions, with $n \leq m$. Suppose all principal minors of \mathcal{G} are non-zero. The matrix \mathcal{G} can be uniquely factored as $(I - G)^{-1}F$, where G and F have the structure defined in (11).

Now follows the proof of Proposition 1.

Proof: Any network can be expressed as

$$\begin{bmatrix} w_j(t) \\ w_D(t) \end{bmatrix} = \mathcal{G}^0(q) \begin{bmatrix} r_j(t) + v_j(t) \\ r_D(t) + v_D(t) \\ r_Z(t) + v_Z(t) \end{bmatrix}.$$

Because the network is well posed, the principal minors of \mathcal{G} are all non-zero. Thus, by Lemma 2, \mathcal{G} can be uniquely factored into \check{G}^0 and \check{F}^0 with the structure (11). If there is an index ℓ such that both v_ℓ and r_ℓ are not present, then setting the corresponding column of \check{F}^0 to zero has no effect on the validity of (10) with respect to the signals. \blacksquare

B. Proof of Proposition 2

Proof: The proof proceeds by showing that Algorithm 3 results in matrices \check{G}^0 and \check{F}^0 of the form in Proposition 1.

In Step 2c of Algorithm 3 no path starting from v_k (or r_k), $k \in \mathcal{D}_j$ is ever lifted. Moreover, in the framework considered in this paper, in the original network, v_k , $k \in \mathcal{V}$ (or r_k , $k \in \mathcal{R}$) only has a path to w_k . It follows that in the immersed network, v_k (or r_k), $k \in \mathcal{D}_j$ only has a path to w_k . Thus, all the off-diagonal entries of the leading square matrix of \check{F}^{i^0} are zero, which shows that the form of \check{F}^{i^0} is the same as that of \check{F}^0 .

In Step 3 of the algorithm all self-loops are removed. Thus the diagonal entries of \check{G}^{i^0} are set to zero. This shows that \check{G}^{i^0} and \check{G}^0 have the same form.

By the uniqueness result of Proposition 1 it follows that $\check{F}^{i^0} = \check{F}^0$ and $\check{G}^0 = \check{G}^{i^0}$. \blacksquare

C. Proof of Proposition 3

Proof: The proof proceeds by starting with the original network (2) and removing the internal variables w_k , $k \in \mathcal{Z}_j$ from the equations. The proofs proceeds at a signal level. At the end of the proof, matrices \check{G}^0 and \check{F}^0 are obtained of the form required by Proposition 1. Consequently, uniqueness of the matrices is ensured.

Given a network of the form (3), the variables w_Z must be removed from the equation. This is done by expressing w_Z in terms of w_k , $k \in \{j\} \cup \mathcal{D}_j$, v_k , $k \in \mathcal{Z}_j$, and r_k , $k \in \mathcal{Z}_j$:

$$\begin{aligned} w_Z &= G_{Zj}^0 w_j + G_{ZD}^0 w_D + G_{ZZ}^0 w_Z + v_Z + r_Z \\ &= (I - G_{ZZ}^0)^{-1} (G_{Zj}^0 w_j + G_{ZD}^0 w_D + v_Z + r_Z). \end{aligned} \quad (20)$$

where the inverse exists by Assumption 1. In order to eliminate w_Z from the expression of $[w_j \ w_D]$, first express $[w_j \ w_D]$ in terms of w_Z , and then substitute in (20):

$$\begin{aligned} \begin{bmatrix} w_j \\ w_D \end{bmatrix} &= \begin{bmatrix} 0 & G_{jD} \\ G_{Dj} & G_{DD} \end{bmatrix} \begin{bmatrix} w_j \\ w_D \end{bmatrix} + \begin{bmatrix} G_{jZ} \\ G_{DZ} \end{bmatrix} w_Z + \begin{bmatrix} v_j \\ v_D \end{bmatrix} + \begin{bmatrix} r_j \\ r_D \end{bmatrix} \\ &= \begin{bmatrix} 0 & G_{jD} \\ G_{Dj} & G_{DD} \end{bmatrix} \begin{bmatrix} w_j \\ w_D \end{bmatrix} + \begin{bmatrix} G_{jZ} \\ G_{DZ} \end{bmatrix} (I - G_{ZZ}^0)^{-1} [G_{Zj} \ G_{ZD}] \begin{bmatrix} w_j \\ w_D \end{bmatrix} \\ &\quad + \begin{bmatrix} G_{jZ} \\ G_{DZ} \end{bmatrix} (I - G_{ZZ}^0)^{-1} (r_Z + v_Z) + \begin{bmatrix} v_j \\ v_D \end{bmatrix} + \begin{bmatrix} r_j \\ r_D \end{bmatrix}. \end{aligned} \quad (21)$$

Collect all the v 's and r 's into a single vector:

$$\begin{bmatrix} w_j \\ w_D \end{bmatrix} = \left(\begin{bmatrix} 0 & G_{jD} \\ G_{Dj} & G_{DD} \end{bmatrix} + \begin{bmatrix} G_{jZ} \\ G_{DZ} \end{bmatrix} (I - G_{ZZ})^{-1} \begin{bmatrix} G_{Zj} & G_{ZD} \end{bmatrix} \right) \begin{bmatrix} w_j \\ w_D \end{bmatrix} \\ + \begin{bmatrix} 1 & 0 & G_{jZ}(I - G_{ZZ})^{-1} \\ 0 & I & G_{DZ}(I - G_{ZZ})^{-1} \end{bmatrix} \begin{bmatrix} r_j + v_j \\ r_D + v_D \\ r_Z + v_Z \end{bmatrix}.$$

From the statement of the Proposition, the matrix preceding $[w_j \ w_D]^T$ is \tilde{G}^0 , and the matrix preceding the r and v terms is \tilde{F}^0 . To put the matrices \tilde{G}^0 and \tilde{F}^0 into the form required by Proposition 1, the diagonals of \tilde{G}^0 must be removed. Let D denote the diagonal entries of \tilde{G}^0 :

$$\begin{bmatrix} w_j \\ w_D \end{bmatrix} = \tilde{G}^0 \begin{bmatrix} w_j \\ w_D \end{bmatrix} + \tilde{F}^0 \begin{bmatrix} r_j + v_j \\ r_D + v_D \\ r_Z + v_Z \end{bmatrix} \\ = (I - D)^{-1} (\tilde{G}^0 - D) \begin{bmatrix} w_j \\ w_D \end{bmatrix} + (I - D)^{-1} \tilde{F}^0 \begin{bmatrix} r_j + v_j \\ r_D + v_D \\ r_Z + v_Z \end{bmatrix}. \quad (22)$$

Both matrices in (22) have the same form as \check{G}^0 , and \check{F}^0 in (10). Thus, by Proposition 1, they are equal to \check{G}^0 and \check{F}^0 . ■

D. Proof of Lemma 1

The following lemma is used in the proof. It can be proved using Mason's Rules [28], or as shown in Appendix A of [17].

Lemma 3: Consider a dynamic network with transfer matrix G^0 that satisfies all conditions of Assumption 1. Let G_{mn}^0 be the (m, n) th entry of $(I - G^0)^{-1}$. If all paths from n to m have a delay (are zero) then G_{mn}^0 has a delay (is zero). □
Now consider the proof of lemma 1.

Proof: Consider part 1. From Proposition 3, the transfer function of the (m, n) th entry of \check{G}^0 (where $m \neq n$) is

$$\check{G}_{mn}^0 = \frac{1}{1 - \check{G}_{mm}^0} \left(G_{mn}^0 + \sum_{\ell_1 \in \mathcal{Z}_j} \sum_{\ell_2 \in \mathcal{Z}_j} G_{m\ell_1}^0 \mathcal{G}_{\ell_1 \ell_2}^z G_{\ell_2 n}^0 \right) \quad (23)$$

where $\mathcal{G}_{\ell_1 \ell_2}^z$ denotes the (ℓ_2, ℓ_1) entry of $(I - G_{ZZ}^0)^{-1}$. By Lemma 3 if every path from ℓ_2 to ℓ_1 passing only through nodes w_k , $k \in \mathcal{Z}_j$ has a delay then $\mathcal{G}_{\ell_1 \ell_2}^z$ has a delay. Thus, if every path from w_{k_1} to w_{k_2} that passes only through nodes w_k , $k \in \mathcal{Z}_j$ has a delay, either $G_{m\ell_1}^0$, $\mathcal{G}_{\ell_1 \ell_2}^z$, or $G_{\ell_2 n}^0$ has a delay (for every ℓ_1 and ℓ_2). By (23) the statement of the lemma follows.

To show that $\check{G}_{mn}^0 = 0$ when there is no path from w_m to w_n that passes through only nodes w_k , $k \in \mathcal{Z}_j$ follows the same reasoning, as does part 2 of the Lemma. ■

E. Proof of Proposition 4

Proof: From Algorithm 3 there are two ways that the transfer function \check{G}_{ji}^0 can change to be different from G_{ji}^0 : in Steps 2c and 3. Using the same notation as that in Algorithm 3, the proof will proceed by showing that Conditions (b) and (c) ensure that no change to $\check{G}_{ji}^{(k)}$ occurs for all $k = 1 : d$ in Steps 2c and 3 respectively.

Start by investigating Step 2c. A change to $G_{ji}^{(k)}$ occurs if a path has been lifted in Step 2a and resulted in an edge from

w_i to w_j . By Condition (b) every path from w_i to w_j passes through a node w_n , $n \in \mathcal{D}_j$. Consequently, it will never occur at any iteration k that a node w_n is being removed that has an incoming edge from w_i and an outgoing edge to w_j . Thus, there will never be parallel edges generated from w_i to w_j that must be merged in Step 2c.

Similarly, by Condition (c) every path from w_j to w_j passes through a node w_n , $n \in \mathcal{D}_j$. Consequently, it will never occur at any iteration k of the algorithm that a node w_n is being removed that has an incoming edge from w_j and an outgoing edge to w_j . Thus there is never a self loop from w_j to w_j generated. Which means that the division in Step 3 will simply be a division by 1. ■

F. Proof of Theorem 1

The following Lemma will be used to prove Theorem 1.

Lemma 4: Consider a vector of rational functions $\Delta X(q, \theta) = [\Delta X_1(q, \theta_1) \ \cdots \ \Delta X_d(q, \theta_d)]^T$, where $\Delta X_k(q, \theta_k) = L_k(q, \theta_k)(X_k^0(q) - X_k(q, \theta_k))$, where L_k is a monic transfer function, X_k^0 is a transfer function and $X_k(\theta_k)$ is a transfer function parameterized as:

$$X_k(\theta_k) = \frac{b_0^k + b_1^k q^{-1} + \cdots + b_{n_b}^k q^{-n_b}}{1 + a_1^k q^{-1} + \cdots + a_{n_a}^k q^{-n_a}},$$

where $\theta_k = [b_0^k \ \cdots \ b_{n_b}^k \ a_1^k \ \cdots \ a_{n_a}^k]^T$. Suppose the parameterization is chosen such that for each $\Delta X_k(\theta_k)$, there exists a parameter vector θ^* such that $\Delta X(\theta^*) = 0$. Consider a $(d \times d)$ power spectral density matrix Φ . If Φ is positive definite for at least $n_\theta = n_a + n_b + 1$ frequencies ω_n , where $-\pi < \omega_n \leq \pi$ then

$$\int_{-\pi}^{\pi} \Delta X(e^{j\omega}, \theta)^T \Phi(\omega) \Delta X(e^{-j\omega}, \theta) d\omega = 0 \implies \Delta X_k(q, \theta) = 0$$

for $k = 1, \dots, d$.

For a proof see [33]. The proof of Theorem 1 now proceeds:

Proof: Consider the proof for Case 2 (Conditions (a) and (b) hold for only η^* and $H_j^{-1}(q, \eta^*)p_j(t, \mathcal{D}_j)$ is white). The proof for Case 1 is not presented here since it follows the exact same line of reasoning, and is simpler than, that of Case 2. Since the noise model is independently parameterized from the module models, let η denote the parameters associated with the noise model, and let θ denote the parameters associated with the modules.

For notational simplicity, let $H_j^{-1}(q, \eta^*)p_j(t, \mathcal{D}_j)$ be denoted as $s_j(t, \mathcal{D}_j)$. The reasoning will be split into two steps:

1. Show that if Conditions (a) and (b) hold at η^* , then the following bound on the objective function holds:

$$\bar{V}(\theta) \geq \bar{\mathbb{E}}[(H_j^{-1}(q, \eta^*)p_j(t, \mathcal{D}_j))^2]. \quad (24)$$

2. Show that when equality holds it implies that $G_{jk}(q, \theta) = \check{G}_{jk}^0(q, \mathcal{D}_j)$, $k \in \mathcal{D}_j$, and $F_{jk}(q, \theta) = \check{F}_{jk}^0(q, \mathcal{D}_j)$, $k \in \mathcal{P}_j$.

Step 1. From (14) and (6) it follows that

$$\bar{V}(\theta, \eta) = \bar{\mathbb{E}} \left[\left(H_j^{-1}(q, \eta) \left(w_j(t) - \sum_{k \in \mathcal{D}_j} G_{jk}(q, \theta) w_k^{(X)}(t) - \sum_{k \in \mathcal{P}_j} F_{jk}(q, \theta) r_k(t) \right) \right)^2 \right].$$

By (17) and (18) w_j can be expressed in terms of w_k , $k \in \mathcal{D}_j$, r_k , $k \in \mathcal{P}_j$ and a residual, $p_j(t, \mathcal{D}_j)$ resulting in:

$$\bar{V}(\theta, \eta) = \mathbb{E} \left[\left(H_j^{-1}(q, \eta) \left(\sum_{k \in \mathcal{D}_j} \Delta G_{jk}(q, \theta, \mathcal{D}_j) w_k^{(x)}(t) + \sum_{k \in \mathcal{P}_j} \Delta F_{jk}(q, \theta, \mathcal{D}_j) r_k(t) + p_j(t, \mathcal{D}_j) \right) \right)^2 \right] \quad (25)$$

where $\Delta G_{jk}(q, \theta, \mathcal{D}_j) = \check{G}_{jk}^0(q, \mathcal{D}_j) - G_{jk}(q, \theta)$, and $\Delta F_{jk}(q, \theta, \mathcal{D}_j) = \check{F}_{jk}^0(q, \mathcal{D}_j) - F_{jk}(q, \theta)$. If (25) is evaluated at η^* , the third term is equal to s_j .

By Conditions (a) and (b) s_j is uncorrelated to the first two terms in the expression. Moreover, since s_j is white, it is also uncorrelated to delayed versions of itself which means that $\mathbb{E}[\Delta H_j(q, \eta) s_j(t) \cdot s_j(t)] = 0$ where $\Delta H_j(q, \eta, \mathcal{D}_j) = H_j(q, \eta^*) - H_j(q, \eta)$ (the expression holds since H_j is monic, and thus ΔH_j has a delay).

Using this fact to simplify (25) results in

$$\bar{V}(\theta, \eta) = \mathbb{E} \left[s_j^2(\mathcal{D}_j) \right] + \mathbb{E} \left[H_j^{-1}(\eta) \left(\sum_{k \in \mathcal{D}_j} \Delta G_{jk}(\theta, \mathcal{D}_j) w_k^{(x)} + \sum_{k \in \mathcal{P}_j} \Delta F_{jk}(\theta, \mathcal{D}_j) r_k + \Delta H_j(\eta, \mathcal{D}_j) s_j(\mathcal{D}_j) \right)^2 \right]. \quad (26)$$

The first term of $\bar{V}(\theta, \eta)$ is not a function of θ or η , proving that $\bar{V}(\theta, \eta) \geq \mathbb{E} \left[s_j^2(t, \mathcal{D}_j) \right]$ as desired.

Step 2. Now it is shown that

$$\bar{V}(\theta, \eta) = \mathbb{E} \left[s_j^2(t, \mathcal{D}_j) \right] \Rightarrow \begin{cases} G_{jk}(q, \theta) = \check{G}_{jk}^0(q, \mathcal{D}_j), k \in \mathcal{D}_j \\ F_{jk}(q, \theta) = \check{F}_{jk}^0(q, \mathcal{D}_j), k \in \mathcal{P}_j \\ H_j(q, \eta) = H_j(q, \eta^*) \end{cases}$$

Consider the equation $\bar{V}(\theta, \eta) = \mathbb{E} \left[s_j^2(t, \mathcal{D}_j) \right]$. From (26) using Parseval's theorem, this results in:

$$\frac{1}{2\pi} \int_{-\pi}^{\pi} \Delta X(e^{j\omega}, \theta) \Phi(\omega) \Delta X^T(e^{-j\omega}, \theta) d\omega = 0, \quad (27)$$

for all $\omega \in [-\pi, \pi]$, where

$$\Delta X = H_j^{-1} \begin{bmatrix} \Delta G_{jk_1} & \cdots & \Delta G_{jk_n} & \Delta F_{jm_1} & \cdots & \Delta F_{jm_\ell} & \Delta H_j \end{bmatrix},$$

$$\Phi(\omega) = \begin{bmatrix} \Phi_{w_{\mathcal{D}}(\omega)} & \Phi_{w_{\mathcal{D}}r_{\mathcal{P}}}(\omega) & \Phi_{w_{\mathcal{D}}s_j}(\omega) \\ \Phi_{r_{\mathcal{P}}w_{\mathcal{D}}}(\omega) & \Phi_{r_{\mathcal{P}}}(\omega) & \Phi_{r_{\mathcal{P}}s_j}(\omega) \\ \Phi_{s_jw_{\mathcal{D}}}(\omega) & \Phi_{s_jr_{\mathcal{P}}}(\omega) & \Phi_{s_j}(\omega) \end{bmatrix}, \quad (28)$$

where $k_* \in \mathcal{D}_j$, $m_* \in \mathcal{P}_j$ and $\Phi_{**}(\omega)$ are the (cross) power spectral densities of the denoted variables. Recall from (18) that w_j can be expressed in terms of $w_k^{(x)}$, $k \in \mathcal{D}_j$, r_k , $k \in \mathcal{P}_j$ and p_j . By rearranging (18) an expression for s_j is

$$s_j = H_j^{0^{-1}} \left(w_j - \sum_{k \in \mathcal{D}_j} \check{G}_{jk}^0 w_k^{(x)} - \sum_{k \in \mathcal{P}_j} \check{F}_{jk}^0 r_k \right)$$

Consequently, (28) can be expressed as $J\Phi_w J^H$, where

$$J = \begin{bmatrix} I & 0 & 0 \\ 0 & I & 0 \\ -\check{G}_{j\mathcal{D}}^0 & -\check{F}_{j\mathcal{P}}^0 & 1 \end{bmatrix},$$

Φ_w is the power spectral density of $[w_{k_1} \cdots w_{k_n} r_{m_1} \cdots r_{m_\ell} w_j]$, and $(\cdot)^H$ denotes conjugate

transpose. Because J is full rank for all ω , and Φ_w is full rank for at least n_θ frequencies (by the statement of the theorem) it follows that Φ in (27) is full rank for at least n_θ frequencies.

Because $\Phi(\omega)$ is positive definite for at least n_θ frequencies, and the parameterization is chosen flexible enough, it follows from Lemma 4 that $\Delta X = 0$. By the definition of ΔX it follows that (27) implies $G_{jk}(q, \theta^*) = \check{G}_{jk}^0(q, \mathcal{D}_j)$, $k \in \mathcal{D}_j$, $F_{jk}(q, \theta^*) = \check{F}_{jk}^0(q, \mathcal{D}_j)$, $k \in \mathcal{P}_j$, and $H_j(q, \theta^*) = H_j(q, \eta^*)$ as desired. ■

G. Proof of Proposition 5

Proof: The proof proceeds by showing that Conditions (a) and (b) hold at η^* , and that $H_j^{-1}(\eta^*)p_j$ is white noise. By Condition (d), p_j is not a function of any r terms, and thus from (17) it follows that $p_j = \check{v}_j$. Recall from (10) that the equation defining the immersed network is $w = \check{G}^0 w + \check{F}^0 r + \check{v}$ where $w = [w_j w_{\mathcal{D}}]^T$, $r = [r_j r_{\mathcal{D}} r_{\mathcal{Z}}]^T$ and \check{v} is defined in (12). Consequently, w_k can be expressed as

$$w_k = \check{G}_{kj}^0(\check{v}_j + r_j + \check{F}_{jz}^0 r_z) + \sum_{n \in \mathcal{D}_j} \check{G}_{kn}^0(\check{v}_n + r_n + \check{F}_{nz}^0 r_z)$$

where \check{G}_{jk}^0 denotes the (j, k) entry of $(I - \check{G}^0)^{-1}$. Using this expression for w_k , Condition (a) of Theorem 1 can be expressed as:

$$\mathbb{E} \left[H_j^{-1}(q, \eta^*) p_j(t) \cdot \Delta G_{jk}(q, \mathcal{D}_j, \theta) w_k(t) \right] = \mathbb{E} \left[H_j^{-1}(q, \eta^*) \check{v}_j(t) \cdot \Delta G_{jk}(q, \mathcal{D}_j, \theta) \sum_{n \in \mathcal{D}_j \cup \{j\}} \check{G}_{kn}^0(q) (\check{v}_n(t) + r_n(t) + \check{F}_{nz}^0(q) r_z(t)) \right].$$

By Assumption 1 every v_k is uncorrelated to every external variable. Moreover, by Condition (a) \check{v}_j is uncorrelated to the other noise terms in the immersed network, and so the above equation can be simplified:

$$\mathbb{E} \left[H_j^{-1}(q, \eta^*) p_j(t) \cdot \Delta G_{jk}(q, \mathcal{D}_j, \theta) w_k(t) \right] = \mathbb{E} \left[H_j^{-1}(q, \eta^*) \check{v}_j(t) \cdot \Delta G_{jk}(q, \mathcal{D}_j, \theta) \check{G}_{kj}^0(q) \check{v}_j(t) \right] \quad (29)$$

By Lemma 3 (in Appendix X-D) the transfer function \check{G}_{kj}^0 has a delay if every path (in the immersed network) from w_j to w_k has a delay. It follows by Condition (b) that either \check{G}_{kj}^0 or \check{G}_{jk}^0 (or both) has a delay. By Condition (c) it follows that either \check{G}_{kj}^0 or $\Delta G_{jk}(q, \mathcal{D}_j, \theta)$ (or both) has a delay. The result is that $\Delta G_{jk}(q, \mathcal{D}_j, \theta) \check{G}_{kj}^0 \check{v}_j$ is a function of only delayed versions of \check{v}_j (and thus delayed versions of \check{e}_j , where \check{e}_j is the whitened version of \check{v}_j as defined in (13)). Thus it follows that

$$\mathbb{E} \left[H_j^{-1}(q, \eta^*) p_j(t) \cdot \Delta G_{jk}(q, \mathcal{D}_j, \theta) w_k(t) \right] = \mathbb{E} \left[\check{e}_j(t) \cdot \Delta G_{jk}(q, \mathcal{D}_j, \theta) \check{G}_{kj}^0(q) \check{v}_j(t) \right] = 0$$

which means that the Condition (a) of Theorem 1 holds.

Since $p_j = \check{v}_j$, and by Assumption 1, all v 's are uncorrelated to all r , it follows that Condition (b) holds as well. ■

H. Proof of Proposition 6

Proof: The following reasoning will show that $\mathbb{E}[\check{v}_j(t) \cdot \check{v}_k(t - \tau)] = 0$ for all τ . From (12),

$$\mathbb{E}[\check{v}_j(t) \cdot \check{v}_k(t - \tau)] = \mathbb{E} \left[(v_j(t) + \check{F}_{jz}^0(q) v_z(t)) \cdot (v_k(t - \tau) + \check{F}_{kz}^0(q) v_z(t - \tau)) \right]. \quad (30)$$

Consider the following three facts. First, by Condition (a), v_j is uncorrelated to all v_k , $k \in \mathcal{D}_j$. Secondly,

$$\mathbb{E}[v_j(t) \cdot \check{F}_{kn}^0(q)v_n(t-\tau)] = 0, \forall \tau, \text{ and } \forall n \in \mathcal{Z}_j \quad (31)$$

by the following reasoning. Either one of the conditions holds:

- There is a path from v_n , $n \in \mathcal{Z}_j$ to w_k that passes only through nodes w_k , $k \in \mathcal{Z}_j$. In this case, by Condition (a) v_j is uncorrelated to v_n .
- There is no path from v_n , $n \in \mathcal{Z}_j$ to w_k . In this case, by Lemma 1, \check{F}_{kn}^0 is zero. Consequently, $\mathbb{E}[v_j(t) \cdot \check{F}_{kn}^0(q)v_n(t)] = 0$.

Thirdly, by the same reasoning and by Condition (b), $\mathbb{E}[v_k(t) \cdot F_{jz}(q)v_z(t-\tau)] = 0$ for all τ . Consequently, (30) can be simplified to:

$$\mathbb{E}[\check{v}_j(t)\check{v}_k(t-\tau)] = \mathbb{E}[\check{F}_{jz}^0(q)v_z(t) \cdot \check{F}_{kz}^0(q)v_z(t-\tau)].$$

By Parseval's Theorem this equation can be expressed as

$$\mathbb{E}[\check{v}_j(t)\check{v}_k(t-\tau)] = \frac{1}{2\pi} \int_{-\pi}^{\pi} \check{F}_{jz}^0(e^{j\omega}) \Phi_{v_z}(\omega) \check{F}_{kz}^{0T}(e^{-j\omega}) e^{j\omega\tau} d\omega.$$

By Condition (c), Φ_{v_z} is diagonal, and so

$$\mathbb{E}[\check{v}_j(t)\check{v}_k(t-\tau)] = \frac{1}{2\pi} \int_{-\pi}^{\pi} \sum_{\ell \in \mathcal{Z}_j} \check{F}_{j\ell}^0(e^{j\omega}) \check{F}_{k\ell}^0(e^{-j\omega}) e^{j\omega\tau} \phi_\ell(\omega) d\omega$$

where ϕ_ℓ is the power spectral density of v_ℓ . By Lemma 1 the transfer function \check{F}_{jk}^0 is zero if there is no path from v_k to w_j that passes only through nodes w_k , $k \in \mathcal{Z}_j$. Consequently, by Condition (d) for each ℓ , $\ell \in \mathcal{Z}_j$, either $\check{F}_{j\ell}^0$ or $\check{F}_{k\ell}^0$ (or both) are equal to zero. Consequently, $\mathbb{E}[\check{v}_j(t)\check{v}_k(t-\tau)]$ is equal to zero for all τ , and for all $k \in \mathcal{D}_j$. ■

I. Proof of Proposition 8

Proof: The proof proceeds by showing that Case 1 of Theorem 1 holds. The predictor inputs $w_k^{(\mathcal{T}_j)}$, $k \in \mathcal{D}_j$ and r_k , $k \in \mathcal{P}_j$ are functions of all r_k , $k \in \{\mathcal{T}_j\}$, except those r_k for which there is no path r_k to w_j (the projection onto this external variable is zero in this case). Thus it is sufficient to show that the optimal output error residual of w_j is not correlated to these r 's. From (17) p_j is equal to

$$p_j(t, \mathcal{D}_j) = \check{F}_{jj}^0(q, \mathcal{D}_j)r_j(t) + \check{v}_j(t) + \sum_{k \in (\mathcal{Z}_j \cap \mathcal{R}_j) \setminus \mathcal{P}_j} \check{F}_{jk}^0(q, \mathcal{D}_j)r_k(t) + \sum_{k \in \mathcal{D}_j} \check{G}_{jk}^0(q, \mathcal{D}_j)w_k^{(\perp \mathcal{T}_j)}(t). \quad (32)$$

By Assumption 1 all r 's are uncorrelated to all v 's. Thus, only the r terms in p_j could cause a correlation between p_j and the predictor inputs. In particular, it must be shown that p_j is not a function of any r_k , $k \in \mathcal{T}_j$.

Split the variables in \mathcal{T}_j into two categories: the r_k 's for which at least one path from r_k to w_j passes only through nodes in \mathcal{Z}_j , and the r_k 's for which all paths from r_k to w_j pass through at least one node w_k , $k \in \mathcal{D}_j$. By construction, all r_k 's that are in the first category are in \mathcal{P}_j . Since no variable $r_k \in \mathcal{P}_j$ appears in p_j (see (32) none of the variables in the first category appear in the expression for p_j).

By Lemma 1 it follows that for all r_k in the second category \check{F}_{jk}^0 is zero. Thus, from (32) it follows that no r_k term in the first category will appear in the expression for p_j .

Thus, p_j is not a function of any r_k , $k \in \mathcal{T}_j$. Consequently, p_j is uncorrelated to the predictor inputs, and the conditions of Theorem 1 are satisfied.

Lastly, to satisfy all the conditions of Theorem 1 we must show that the power spectral density Φ of $[w_j \ w_{k_1}^{(\mathcal{T}_j)} \ \cdots \ w_{k_n}^{(\mathcal{T}_j)} \ r_{m_1} \ \cdots \ r_{m_\ell}]$ is positive definite for at least n_θ frequencies. By (18) p_j can be expressed as a function of $w_k^{(\mathcal{T}_j)}$, $k \in \mathcal{D}_j$, and r_k , $k \in \mathcal{P}_j$ and p_j . It has already been shown that p_j is uncorrelated to all the predictor inputs. Consequently, the power spectral density Φ is equal to

$$\Phi = \begin{bmatrix} 1 & [-\check{G}_{jp}^0 & -\check{F}_{jp}^0] \\ 0 & I \end{bmatrix} \begin{bmatrix} \phi_p & 0 \\ 0 & \Phi_w \end{bmatrix} \begin{bmatrix} 1 & [-\check{G}_{jp}^0 & -\check{F}_{jp}^0] \\ 0 & I \end{bmatrix}^H$$

where ϕ_p is the power spectral density of p_j and Φ_w is the power spectral density of $[w_{k_1}^{(\mathcal{T}_j)} \ \cdots \ w_{k_n}^{(\mathcal{T}_j)} \ r_{m_1} \ \cdots \ r_{m_\ell}]$ (which is positive definite at n_θ frequencies). Because the first (and last) matrices are full rank for all ω it follows that Φ is full rank for at least n_θ frequencies. Consequently all the conditions of Case 1 of Theorem 1 are satisfied. ■

REFERENCES

- [1] C. W. J. Granger, "Testing for causality; a personal viewpoint," *Journal for Economic Dynamics and Control*, pp. 329–352, 1980.
- [2] P. E. Caines and C. W. Chan, "Feedback between stationary stochastic processes," *IEEE Transactions on Automatic Control*, vol. 20, no. 4, pp. 498–508, 1975.
- [3] M. R. Gevers and B. D. O. Anderson, "Representing of jointly stationary stochastic feedback processes," *International Journal of Control*, vol. 33, no. 5, pp. 777–809, 1981.
- [4] D. Materassi and G. Innocenti, "Topological identification in networks of dynamical systems," *IEEE Transactions on Automatic Control*, vol. 55, no. 8, pp. 1860–1871, 2010.
- [5] D. Materassi and M. V. Salapaka, "On the problem of reconstructing an unknown topology via locality properties of the Wiener filter," *IEEE Transactions on Automatic Control*, vol. 57, no. 7, pp. 1765–1777, July 2012.
- [6] A. Seneviratne and V. Solo, "Topology identification of a sparse dynamic network," in *Proceedings of the 51st IEEE Conference on Decision and Control (CDC)*, Maui, HI, USA, Dec 2012, pp. 1518–1523.
- [7] Y. Yuan, G. Stan, S. Warnick, and J. Goncalves, "Robust dynamical network structure reconstruction," *Automatica*, vol. 47, no. 6, pp. 1230–1235, 2011.
- [8] J. Friedman, T. Hastie, and R. Tibshirani, "Applications of the lasso and grouped lasso to the estimation of sparse graphical models," 2010, unpublished. [Online]. Available: <http://www-stat.stanford.edu/~tibs/ftp/ggraph.pdf>
- [9] R. Tibshirani, "Regression shrinkage and selection via the lasso," *Journal of the Royal Statistical Society, Series B*, vol. 58, pp. 267–288, 1994.
- [10] B. M. Sanandaji, T. L. Vincent, and M. B. Wakin, "A review of sufficient conditions for structure identification in interconnected systems," in *Proceedings of the 16th IFAC Symposium on System Identification*, Brussels, Belgium, July 2012, pp. 1623–1628.
- [11] A. Chuiso and G. Pilonetto, "A Bayesian approach to sparse dynamic network identification," *Automatica*, vol. 48, pp. 1553–1565, 2012.
- [12] R. Fraanje and M. Verhaegen, "A spatial canonical approach to multidimensional state-space identification for distributed parameter systems," in *Proceedings of the Fourth International Workshop on Multidimensional Systems*, July 2005, pp. 217–222.
- [13] M. Ali, S. S. Chughtai, and H. Werner, "Identification of spatially interconnected systems," in *Proceedings of the 48th IEEE Conference on Decision and Control (CDC)*, held jointly with the 28th Chinese Control Conference (CCC), Shanghai, China, Dec 2009, pp. 7163–7168.
- [14] A. Sarwar, P. G. Voulgaris, and S. M. Salapaka, "System identification of spatiotemporally invariant systems," in *Proceedings of the American Control Conference (ACC)*, Baltimore, MD, USA, June 2010, pp. 2947–2952.

- [15] P. Torres, J.-W. van Wingerden, and M. Verhaegen, "Hierarchical sub-space identification of directed acyclic graphs," *International Journal of Control*, vol. 88, no. 1, pp. 123–137, 2015.
- [16] A. Haber and M. Verhaegen, "Moving horizon estimation for large-scale interconnected systems," *IEEE Transactions on Automatic Control*, vol. 58, no. 11, pp. 2834–2847, Nov 2013.
- [17] P. M. J. Van den Hof, A. Dankers, P. S. C. Heuberger, and X. Bombois, "Identification of dynamic models in complex networks with prediction error methods - basic methods for consistent module estimates," *Automatica*, vol. 49, pp. 2994–3006, Oct. 2013.
- [18] A. Dankers, P. M. J. Van den Hof, X. Bombois, and P. S. C. Heuberger, "Predictor input selection for two stage identification in dynamic networks," in *Proceedings of the European Control Conference (ECC)*, Zürich, Switzerland, Jul. 2013, pp. 1422–1427.
- [19] A. Dankers, P. M. J. Van den Hof, and P. S. C. Heuberger, "Predictor input selection for direct identification in dynamic networks," in *Proceedings of the 52nd IEEE Conference on Decision and Control (CDC)*, Florence, Italy, December 2013, pp. 4541–4546.
- [20] M. Araki and M. Saeki, "A quantitative condition for the well-posedness of interconnected dynamical systems," *IEEE Transactions on Automatic Control*, vol. 28, no. 5, pp. 625–637, May 1983.
- [21] L. Ljung, *System Identification. Theory for the User*, 2nd ed. Prentice Hall, 1999.
- [22] P. M. J. Van den Hof and R. Schrama, "An indirect method for transfer function estimation from closed loop data," *Automatica*, vol. 29, no. 6, pp. 1523–1527, 1993.
- [23] P. M. J. Van den Hof, "Closed-loop issues in system identification," *Annual Reviews in Control*, vol. 22, pp. 173–186, 1998.
- [24] U. Forsell and L. Ljung, "Closed-loop identification revisited," *Automatica*, vol. 35, pp. 1215–1241, 1999.
- [25] J. Gonçalves and S. Warnick, "Necessary and sufficient conditions for dynamical structure reconstruction of LTI networks," *IEEE Transactions on Automatic Control*, vol. 53, no. 7, pp. 1670–1674, Aug. 2008.
- [26] D. C. Youla, "On the factorization of rational matrices," *IRE Transactions on Information Theory*, vol. 7, pp. 172–189, Jul. 1961.
- [27] M. A. Langston and B. C. Plaut, "On algorithmic applications of the immersion order," *Discrete Mathematics*, vol. 182, pp. 191–196, 1998.
- [28] S. J. Mason, "Feedback theory - some properties of signal flow graphs," *Proceedings of The IRE*, pp. 1144–1156, Sep. 1953.
- [29] —, "Feedback theory - further properties of signal flow graphs," *Proceedings of The IRE*, pp. 920–926, Jul. 1956.
- [30] T. Söderström and P. Stoica, *System Identification*, ser. Systems and Control Engineering. Hertfordshire, UK: Prentice Hall, 1989.
- [31] J. Pearl, "Causal inference in statistics: An overview," *Statistics Surveys*, vol. 3, pp. 96–146, 2009.
- [32] M. Gevers, A. S. Bazanella, X. Bombois, and L. Mišković, "Identification and the information matrix: How to get just sufficiently rich?" *IEEE Transactions on Automatic Control*, vol. 54, pp. 2828–2840, 2009.
- [33] A. Dankers, "System identification in dynamic networks," Ph.D. dissertation, Delft University of Technology, 2014.
- [34] A. Dankers, P. M. J. Van den Hof, X. Bombois, and P. S. C. Heuberger, "Errors in variables identification in dynamic networks by an instrumental variable approach," in *Proceedings of 19th IFAC World Congress*, Cape Town, South Africa, 2014, pp. 2335–2340.
- [35] R. Diestel, *Graph Theory*, ser. Graduate Texts in Mathematics. Springer-Verlag, 1997, no. 173.
- [36] A. Kanevsky, "Finding all minimum-size separating vertex sets in a graph," *Networks*, vol. 23, pp. 533–541, 1993.
- [37] P. S. C. Heuberger, P. M. J. Van den Hof, and B. Wahlberg, Eds., *Modelling and Identification with Rational Orthogonal Basis Functions*. London: Springer-Verlag, 2005.



Arne Dankers (S'10–M'15) received B.Sc. and M.Sc. degrees from the Department of Electrical and Computer Engineering at the University of Calgary, and a Ph.D. degree from the Delft Center for Systems and Control at the Delft University of Technology. Currently he holds a Post-Doc position at the University of Calgary in partnership with Hifi Engineering Inc.. His current research interests include system identification and dynamic networks, acoustic modelling and leak detection in pipelines. He is the winner of the best student paper award of the 2013 European Control Conference.



Paul M. J. Van den Hof (S'85 – M'88 – SM'95 – F'08) received the M.Sc. and Ph.D. degrees in electrical engineering from Eindhoven University of Technology, Eindhoven, The Netherlands, in 1982 and 1989, respectively. In 1986 he moved to Delft University of Technology, where he was appointed as Full Professor in 1999. Since 2003, he has been founding co-director of the Delft Center for Systems and Control (DCSC), with appointments in the faculty of Mechanical, Maritime, and Materials Engineering, and the faculty of Applied Sciences.

As of 2011, he is a Full Professor in the Electrical Engineering Department, Eindhoven University of Technology. His research interests include issues of system identification, identification for control, and model-based control and optimization, with applications in industrial process control systems, including petroleum reservoir engineering systems, and high-tech systems. Prof. Van den Hof is an IFAC Fellow. He has been a member of the IFAC Council (1999–2005), the Board of Governors of IEEE Control Systems Society (2003–2005), and an Associate Editor and Editor of *Automatica* (1992–2005). He was General Chair of the 13th IFAC Symposium on System Identification, held in Rotterdam, The Netherlands, in 2003.



Xavier Bombois was born in Brussels in 1974. He received the Electrical Engineering and Ph.D. degrees from the Université Catholique de Louvain (Belgium) in 1997 and 2000, respectively. In 2000, he moved to Delft University of Technology (The Netherlands) where he was appointed as an Assistant Professor at the Delft Center for Systems and Control. Since February 2015, he is a CNRS Research Director at Laboratoire Ampère (Ecole Centrale de Lyon, Ecully, France) His main interests are identification for control, prediction error identification,

optimal experiment design uncertainty bounding and robust control. Since 2012, Xavier Bombois is an Associate Editor for the IFAC journal *Control Engineering Practice* and for the Conference Editorial Board of the IEEE Control Systems Society.



Peter S. C. Heuberger was born in Maastricht, The Netherlands, in 1957. He obtained the M.Sc. degree in Mathematics from the University of Groningen in 1983, and the Ph.D. degree from the Mechanical Engineering Department of Delft University of Technology in 1991. From 1991 to 2005 he was with the Dutch National Institute for Public Health and the Environment (RIVM) and from 2005 to 2007 with the Dutch Environmental Assessment Agency (MNP). From 1996 to 2007 he also held a parttime position at Delft University of Technology, in the

Mechanical Engineering Systems and Control Group and the Signals, Systems and Control Group of the Department of Applied Physics. From 2007 to 2012 he was assistant professor at the Delft Center for Systems and Control. Since 2012 he is with Eindhoven University of Technology, where he is managing director of the automotive systems design program. His research interests are in issues of automotive systems, system identification, uncertainty, model reduction and in the theory and application of orthogonal basis functions.