



**HAL**  
open science

## Bond Graph Model Of A Water Heat Exchanger

Toufik Bentaleb, Minh Tu Pham, Damien Eberard, Wilfrid Marquis-Favre

► **To cite this version:**

Toufik Bentaleb, Minh Tu Pham, Damien Eberard, Wilfrid Marquis-Favre. Bond Graph Model Of A Water Heat Exchanger. European Conference on Modelling and Simulation, May 2016, Regensburg, Germany. hal-01354637

**HAL Id: hal-01354637**

**<https://hal.science/hal-01354637>**

Submitted on 16 Apr 2019

**HAL** is a multi-disciplinary open access archive for the deposit and dissemination of scientific research documents, whether they are published or not. The documents may come from teaching and research institutions in France or abroad, or from public or private research centers.

L'archive ouverte pluridisciplinaire **HAL**, est destinée au dépôt et à la diffusion de documents scientifiques de niveau recherche, publiés ou non, émanant des établissements d'enseignement et de recherche français ou étrangers, des laboratoires publics ou privés.

# BOND GRAPH MODEL OF A WATER HEAT EXCHANGER

Toufik Bentaleb, Minh Tu Pham, Damien Eberard, and Wilfrid Marquis-Favre  
Univ Lyon, INSA, CNRS, AMPERE, F-69100, VILLEURBANNE, France  
E-mail: name.surname@insa-lyon.fr

## KEYWORDS

Bond graph; Multiport; Thermofluid systems; Plate heat exchanger

## ABSTRACT

This paper presents a Bond Graph (BG) modelling approach to add and exploit on existing Modelica models some information on the energy structure of the systems. The developed models in the ThermosysPro library (Modelica-based) are already validated against the experimental data in previous works. A plate heat exchanger (PHE), which is equipment for nuclear power plants, is considered as a case study in this paper. Simulation results of the BG model for the counterflow PHE are compared with simulation results of the tested Modelica model. Comparisons show good agreement between both model results.

## INTRODUCTION

Nowadays, the major problems of the numerical computation of mathematical models for complex processes are solved by using different commercial and open source software packages. The representation of the models in these languages is often based on model equations. The bond graph representation allows a physical structural analysis which is based on the system energy structure. This facilitates the exchange of models and simulation specifications. Bond graph is a graphical representation methodology for modelling multidisciplinary physical systems (Jardin et al. 2009).

Heat exchange is an important unit operation that contributes to efficiency and safety of many processes (nuclear power plants, steam generators, automotive, heat pumps, etc.). A plate heat exchanger is a type of heat exchanger that uses metal plates to transfer heat between two fluids. The plate heat exchanger was invented by Dr Richard Seligman in 1923 and revolutionised methods of indirect heating and cooling of fluids (Crepaco 1987). Plate heat exchangers are widely used in many other applications (food, oil, chemical and paper industries, HVAC, heat recovery, refrigeration, etc.) because of their small size and weight, their cleaning as well as their superior thermal performance compared to other types of heat exchangers (Guo et al. 2012).

The plate heat exchanger model is one of over 200 0D/1D models of components belonging to the ThermosysPro library. This open source library, developed by EDF R&D, is used to model energy systems and different types of power plants (nuclear, conventional, solar, etc.) (El Hefni 2014; El Hefni and Bouskela 2006; El Hefni et al. 2011, 2012; Deneux et al. 2013). The Modelica model is developed in Dymola. Modelica

representation leads to static analyses which are based on model equations, while BG representation permits a physical structural analysis which is based on the system's energy structure. The bond graph representation in this paper is built using the graphical editor MS1. MS1, an acronym of Modelling System One, is an interactive environment for modelling, simulation and analysis of non-linear dynamic systems (Jardin et al. 2008).

In the literature, bond graph modelling of heat exchangers is widespread (Shoureshi and Kevin 1983; Hubbard and Brewer 1981; Delgado and Thoma 1999). Due to difficulties in handling entropy and heat transfer rate, many efforts have been made to develop pseudo-bond graph representations of thermo-fluid transport and heat exchange (Karnopp and Azerbaijani 1981; Karnopp 1978, 1979; Ould Bouamama 2003). All these references mentioned above have different assumptions. For instance, in (Shoureshi and Kevin 1983) a temperature-entropy bond graph technique has been proposed based on three lump models to predict the reversal of flow. In this model, the authors have considered that the fluid domain is operated independently from the thermal domain. In (Karnopp 1978), pseudo bond graph strategies have been proposed with using the temperature and heat flow as effort and flow.

This paper uses pseudo bond graph method for heat/mass transfer modelling. Furthermore, multi-port C and multi-port R elements have been used. This method is based on finite volume approach considering the thermal and fluid bonds. First, fundamental theory of thermofluid is given. Then, the plate heat exchanger models are explained: the Modelica model and the BG model. In the section after that, simulation results are discussed. The last section contains conclusion and future research paths.

## THERMOFLUID SYSTEM

Thermofluid or thermal fluid sciences involve the study of the thermodynamics, fluid mechanics, heat and mass transfer in complex engineering systems. In the open system case, the energy and mass equations for a thermodynamic system are formulated as (see nomenclature page 7)

$$\frac{dE_s}{dt} = \dot{Q}_{in} + \dot{W}_{in} + \dot{E}_i - \dot{E}_e \quad (1)$$

where  $(dE_s/dt)$  is the rate of increase in energy within the system,  $\dot{Q}_{in}$  is the rate at which heat enters the system,  $\dot{W}_{in}$  is the rate at which work enters the system,  $\dot{E}_i$  is the rate at which energy is brought in by the mass entering the system, and  $\dot{E}_e$  is the rate at which energy is removed by the mass leaving the system.

$$\frac{dm_s}{dt} = \dot{m}_i - \dot{m}_e \quad (2)$$

where  $(dm_s/dt)$  represents the rate of increase in mass within the system, and  $m_i$  and  $m_e$  represent the respective rates at which mass entering and leaving the system.

In many thermal application, the reduced heat equation is used

$$\dot{Q} = \frac{dQ}{dt} = mC_p \frac{dT}{dt} = KA(\Delta T), \quad (3)$$

where  $\dot{Q}$  is the heat-flow-rate (named just heat rate),  $C_p$  is the specific heat capacity,  $m$  is the mass flow rate, the global heat transfer coefficient  $K$  (associated to a bounding area  $A$  and the average temperature jump  $\Delta T$  between the system and the surroundings). More details about the above equations can be seen in reference (Martínez 1992).

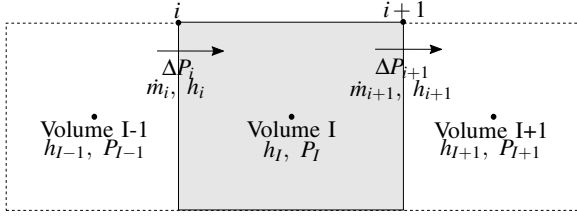


Figure 1: Staggered finite volume scheme

The cooling water heat exchanger used in this study is an equipment for nuclear power plants. Two main approaches for the dynamic modelling of the heat exchanger are the moving boundaries (MB) and the discretized models, known as finite-volume models (FVM) (Bendapudi et al. 2004; Desideri et al. 2015). The moving boundary method is useful for developing feedback controllers, in this approach the heat exchanger is divided into zones based on the fluid phase in each region and the location of the boundary between regions vary in time according to the current conditions. In finite-volume models the 1D flow is subdivided into several equal control volumes as shown in Figure 1.

The modelling technique used in this paper is based on finite volumes approach. A pictorial representation of the discretized counterflow heat exchanger is shown in Figure 2.

## PLATE HEAT EXCHANGER MODELS

The plate heat exchanger is the component that transforms heat (thermal energy) from one fluid to another. Plate heat exchangers have a high heat transfer rate compared to other types of heat exchangers due to their large surface area.

### Modelling of Water/Water Heat Exchangers in Modelica

The dynamic water/water heat exchanger component used belongs to the ThermoSysPro library. The core model of the heat exchanger was written in Modelica and simulated with the Dymola simulation environment. Figure 3 shows the schematic of the heat exchanger model in Dymola. This model has two parts: the upper part for hot water and the other part for cold water,

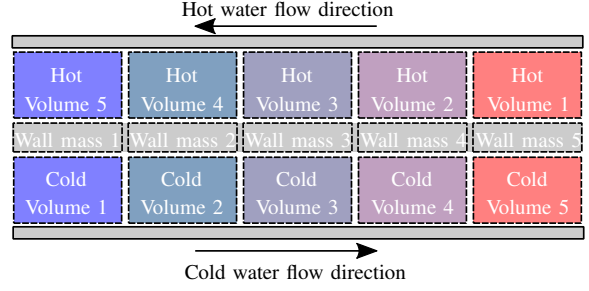


Figure 2: Schematic diagram of a typical discretized counterflow plate heat exchanger

which are quite similar. The inlets and outlets of the heat exchanger block are shown by the blue and red rectangles, respectively. The red and blue arrows show the cold and hot waters of the two parts respectively.

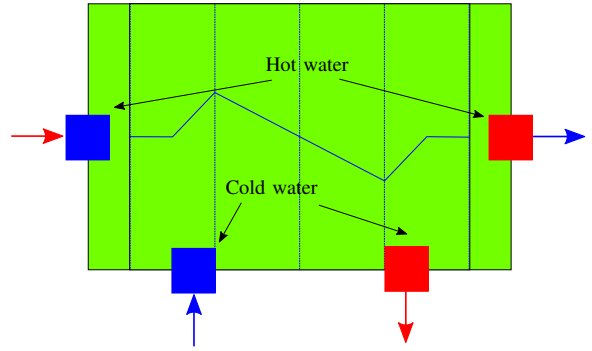


Figure 3: Dymola layout of the heat exchanger

In this model, the rate of mass accumulation within the volume does not incorporate any dynamic effects. This means that the entering mass flow rate is exactly equal to the leaving one i.e. the steady balance for all volumes of the heat exchanger, yields

$$\dot{m}_{b,i-1} - \dot{m}_{b,i} = 0 \quad (4)$$

where  $\dot{m}$  is the mass flow rate. Throughout the paper, the subscript  $b$  means the hot part when ( $b \leftarrow h$ ) or the cold part when ( $b \leftarrow c$ ).

To simplify the model, the mass flow rate is considered positive in both parts i.e.  $\dot{m}_{b,i} > 0$ , and the pressure between each two volumes is defined as

$$P_{b,i+1} = P_{b,i} - \Delta P_{b,i}/N \quad (5)$$

where  $N$  is number of segments,  $\Delta P_{b,i}$  is the pressure drop.

The pressure drop ( $\Delta P_{b,i}$ ), which has direct relationship to the size of the plate heat exchanger, is defined by

$$\Delta P_{b,i} = k_{b,i} \cdot Nu_{b,i}^{-a} \cdot qu_{b,i}^2 + 104.97 \cdot Nu_{b,i}^{-0.25} \quad (6)$$

where  $a = 0.097$  and  $k_{b,i}$ , correlation for the heat transfer  $Nu$  (is called also Nusselt number), and pressure drop  $qu$  characteristics, are defined as

$$\begin{cases} Nu_{b,i} = \dot{m}_{b,i}/(M \cdot \mu_{b,i}) \\ qu_{b,i} = \dot{m}_{b,i}/M \\ k_{b,i} = 14423.2 \left[ 1472.47 + \frac{1.54(M-1)}{2} \right] \frac{c_{1,b}}{\rho_{b,i}} \end{cases} \quad (7)$$

where  $c_{1,b}$  is a correction coefficient, and  $M = (n - 1)/2$ ,  $n$  is the number of plates. The formulas above are investigated experimentally, see (Cracow 2011).

The energy balance equation in each layer is given by:

$$V_{b,I} \cdot \rho_{b,i} \cdot \frac{dh_{b,I}}{dt} = \pm (h_{b,i} \cdot \dot{m}_{b,i} - h_{b,i+1} \cdot \dot{m}_{b,i+1} - \dot{W}_I) \quad (8)$$

where the plus-minus sign ( $\pm$ ) indicates (+) for the hot part and (-) for cold part.

The global heat exchanged between the both fluids and the wall is

$$\dot{W}_I = K_I \cdot \Delta S \cdot (T_{h,I} - T_{c,I}) \quad (9)$$

The heat exchange surface  $\Delta S$ , and the global heat transfer coefficient  $K_I$  are given by

$$\begin{cases} \Delta S = (n - 2) \cdot A / N, \\ K_I = (\bar{h}_h \cdot \bar{h}_c) / (\bar{h}_h + \bar{h}_c + \bar{h}_h \cdot \bar{h}_c \cdot \frac{e_m}{\lambda_m}), \\ \bar{h}_b = 11.245 \cdot |Nu_{b,i}|^{0.8} \cdot Pr_{b,i}^{0.4} \cdot \lambda_{b,i}. \end{cases} \quad (10)$$

where  $h_b$  is the convection heat transfer coefficient between the fluid and the wall. The Prandtl number  $Pr_{b,i}$  is defined as,

$$Pr_{b,i} = \mu_{b,i} \cdot Cp_{b,i} / \lambda_{b,i} \quad (11)$$

In Equations (7) to (11),  $\rho_{b,i}$ ,  $T_{b,I}$ ,  $\lambda_{b,i}$ ,  $\mu_{b,i}$ , and  $Cp_{b,i}$  are the density, temperature, thermal conductivity, dynamic viscosity, and heat capacity respectively. In Modelica model, water properties are expressed as

$$\begin{cases} \rho_{b,i} = \rho_{b,i}(P_{b,I}, h_{b,I}) \\ \lambda_{b,i} = \lambda_{b,i}(\rho_{b,i}, T_{b,I}, P_{b,I}) \\ \mu_{b,i} = \mu_{b,i}(\rho_{b,i}, T_{b,I}) \\ Cp_{b,i} = Cp_{b,i}(P_{b,I}, h_{b,I}) \end{cases} \quad (12)$$

The pressure  $P_{b,I}$  and the specific enthalpy  $h_{b,I}$  at the volume are given by

$$\begin{cases} P_{b,I} = \frac{P_{b,i} + P_{b,i+1}}{2}, \\ h_{b,I} = \frac{h_{b,i} + h_{b,i+1}}{2}. \end{cases} \quad (13)$$

Then the temperature at the volume is calculated from the a tables of the water thermodynamic properties, and it is defined as

$$T_{b,I} = T_{b,I}(P_{b,I}, h_{b,I}) \quad (14)$$

In Modelica model, water temperature  $T$  and density  $\rho$  are calculated from tables of water thermodynamic properties, depending on water pressure  $P$  and specific enthalpy  $h$ . However, for most of the elements presented above, the calculation of pressure depends on water density, which introduces an algebraic loop in the calculation scheme.

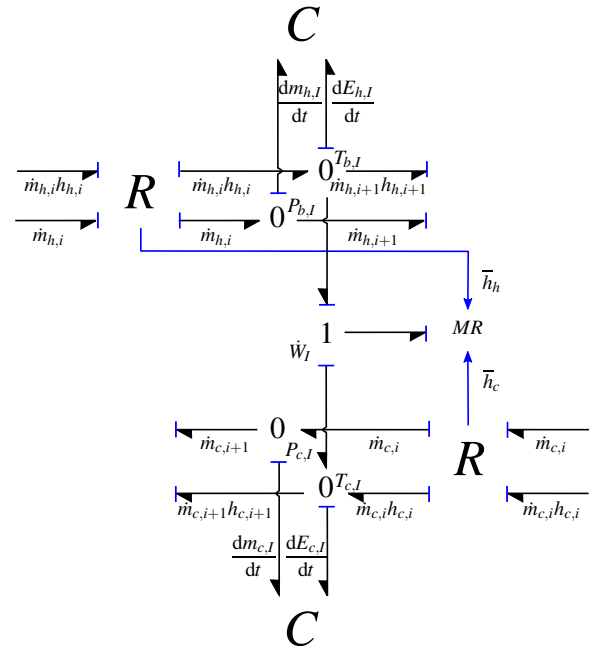


Figure 4: Pseudo bond graph of a small heat exchanger

### Modelling of Watet/Water Heat Exchangers using Bond Graph Approach

The bond graph model of this complex dynamic behavior and nonlinear system in thermofluids engineering allows to non-expert to get a better understanding of the model and to analyse the properties of this physical system (Karnopp et al. 1990, 2012). In this approach, the specific enthalpy and some other properties of water are calculated from tables depending on pressure and temperature. The bond graph developed here has more degree of freedom compared with the Modelica model due to the consideration of the rate of mass accumulation within the volume.

The same finite volume method used in previous section is applied, where the heat exchanger has to be divided into  $n$  small successive heat exchangers, where each has uniform hot and cold temperature. Figure 4 shows the causal bond graph representation for one small heat exchanger. For modelling of each lump, the following elements were used

- **Multi-port C-element,**

The multi-port C-element is used here for a thermodynamic accumulator, and is in its pseudo-bond graph form since the variables at its ports are not strictly power variables (see Figure 5). The thermodynamic accumulator has two degrees of freedom (2-DOF) since its volume is fixed here. The two state variables chosen are the water mass ( $m$ ) for the fluid domain, and the specific enthalpy ( $h$ ) for the thermal domain. Therefore, several modifications must be done compared to the Modelica model. The outputs from the multi-port C-element are the pressure and temperature, which are given by following relations:

$$\mathbf{Fluid\ Bond} \quad P_{b,I} = P_{b,I}(\rho_{b,I}, h_{b,I}) \quad (15)$$

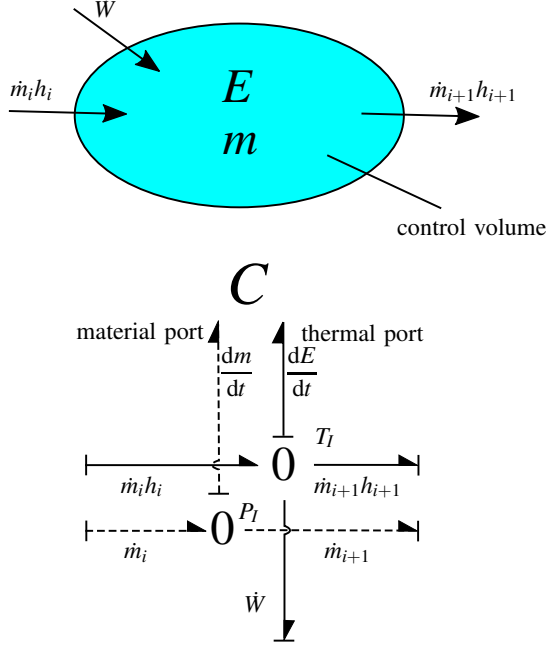


Figure 5: Control volume and its corresponding bond graph of the thermodynamic accumulator

$$\text{Thermal Bond } T_{b,I} = T_{b,I}(P_{b,I}, h_{b,I}) \quad (16)$$

where the temperature table  $T_{b,I}(P_{b,I}, h_{b,I})$ , thermodynamic property of the water, is well detailed in reference (Wagner and Kretschmar 2008) and the ThermoSysPro model. The function  $P_{b,I}(\rho_{b,I}, h_{b,I})$  is calculated by an iterative resolution given in Algorithm 1 described in the appendix section. The algorithm provides an easiest way to obtain the pressure, as a function of a given density and specific enthalpy. To obtain the density the dynamic continuity equation, in which the total stored mass equals the net integrated mass flow rate, is used

$$\frac{dm_{b,I}}{dt} = \dot{m}_{b,i} - \dot{m}_{b,i+1} \quad (17)$$

where  $m_{b,I}$  is the mass,  $\dot{m}_{b,i}$  and  $\dot{m}_{b,i+1}$  are respectively the control volume entering and leaving mass flow rates, as shown in Figure 5 by the dashed bonds.

To convert Equation (17) into a more useful form to obtain the density in the control volume, the following relationship is used

$$\rho_{b,I} = \frac{m_{b,I}}{V_{b,I}} \quad (18)$$

where  $V_{b,I}$  is the volume of the control volume.

Assuming a C-element with a constant volume, which leads to

$$\frac{d\rho_{b,I}}{dt} = \frac{\dot{m}_{b,i} - \dot{m}_{b,i+1}}{V} \quad (19)$$

In Equations (16) and (15), the specific enthalpy  $h_{b,I}$  is calculated from the following one-dimensional energy equation

$$V_{b,I} \cdot \rho_{b,I} \cdot \frac{dh_{b,I}}{dt} = \pm (h_{b,i} \cdot \dot{m}_{b,i} - h_{b,i+1} \cdot \dot{m}_{b,i+1} - \dot{W}_I) \quad (20)$$

### • Multi-port R-element,

The Multi-port R-element is used for a thermodynamic resistance and in its pseudo-bond graph form. The structure of the multiport pseudo-bond graph model R-element is defined in Figure 6.

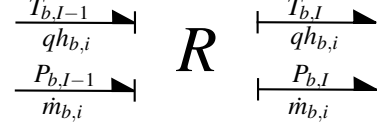


Figure 6: The pseudo bond graph of the R-field of the heat exchanger

The relationships between the efforts (temperatures and pressures) and flows (mass flow rate and specific enthalpy flow rate) in R-elements are given by

$$\begin{cases} \dot{m}_{b,i} = \dot{m}_{b,i}(T_{b,I-1}, T_{b,I}, P_{b,I-1}, P_{b,I}), \\ qh_{b,i} = qh_{b,i}(T_{b,I-1}, T_{b,I}, P_{b,I-1}, P_{b,I}). \end{cases} \quad (21)$$

where the specific enthalpy flow rate  $qh_{b,i}$  is represents the quantity  $\dot{m}_{b,i}h_{b,i}$  shown in the Figure 6.

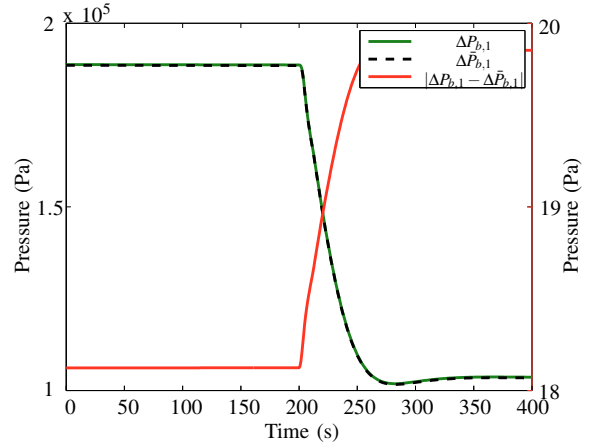


Figure 7: Comparison between the pressure difference

To calculate the mass flow rate  $\dot{m}_{b,i}$  as a function of  $\Delta P_{b,i}$  using the Equation (6) is quite difficult. Hence, to obtain an approximate solution, we ignore the second term  $104.97 \cdot (Nu_{b,i})^{-0.25}$  in the Equation (6) because its effect on  $\Delta P_{b,i}$  is negligible (see Figure 7). The pressure drop can be written as

$$\begin{aligned} \Delta \bar{P}_{b,i} &= k_{b,i} \cdot Nu_{b,i}^{-a} \cdot qu_{b,i}^2 \\ &= k_{b,i} \cdot \left( \frac{\dot{m}_{b,i}}{\mu_{b,i} \cdot M} \right)^{-a} \cdot \left( \frac{\dot{m}_{b,i}}{M} \right)^2 \\ &= \bar{k}_{b,i} \cdot \dot{m}_{b,i}^{2-a} \end{aligned} \quad (22)$$

where  $\bar{k}_{b,i} = k_{b,i} \cdot \mu_{b,i}^a \cdot M^{(a-2)}$ . Thus, the mass flow rate  $\dot{m}_{b,i}$  can be calculated by using the following formula

$$\dot{m}_{b,i} = \exp \left( \frac{\ln(\Delta \bar{P}_{b,i}) - \ln(\bar{k}_{b,i})}{2-a} \right) \quad (23)$$

Figure 8 shows the comparison between both mass flow rates of the hot water in Dymola and MS1, in which

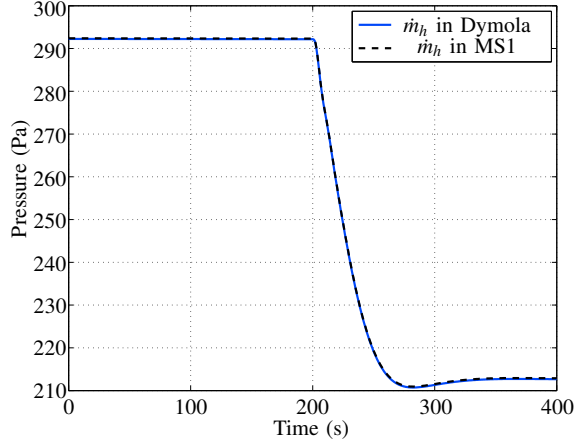


Figure 8: Comparison between both mass flow rates in Dymola and MS1

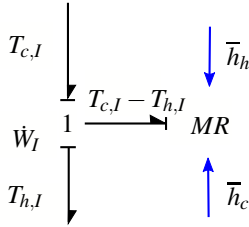


Figure 9: Modulated 1-port R-element and 1-junction

calculated by Equation (23). The blue curve represents the mass flow rate obtained by the ThermoSysPro model, and dashed black curve represents the mass flow rate obtained by BG model. As a result, both curves are similar because the pressure drop obtain by Equation (22) is quite equal to that obtained by Equation (6).

- **Modulated 1-port R-element,**

The rate of heat transfer in each segment occurs between two C-fields at higher and lower temperatures. The heat flow between C-fields (from higher temperature to lower temperature) is proportional to the difference of temperatures, and is given by

$$\dot{W}_I = K_I \cdot \Delta S \cdot (T_{h,I} - T_{c,I}) \quad (24)$$

where  $K_I$  and  $\Delta S$  are given in Eq (10).  $K_I$  is a function of the convection heat transfer coefficient  $\bar{h}_b$ , the latter is calculated in R-Element and materialized by the blue arrows in Figure 9.

In Figure 9, the 1-junction means that the rate of heat transfer  $\dot{W}$  (flow) through all connected bonds is the same, and that the temperatures (efforts) sum to zero. The sign of each temperature is related to the power direction (i.e. direction of the half arrow) of the bond.

In the bond graph model, the calculation of some thermodynamic properties of water is different compared to Equation (12). Here, the thermodynamic properties of water are given in terms of the pressure and the

temperature as following

$$\begin{cases} \rho_{b,i} = \rho_{b,i}(P_{b,i}, T_{b,i}) \\ h_{b,i} = h_{b,i}(P_{b,i}, T_{b,i}) \\ \lambda_{b,i} = \lambda_{b,i}(\rho_{b,i}, T_{b,i}) \\ \mu_{b,i} = \mu_{b,i}(\rho_{b,i}, T_{b,i}) \\ Cp_{b,i} = Cp_{b,i}(P_{b,i}, T_{b,i}) \end{cases} \quad (25)$$

where, the pressure  $P_{b,i}$  and the temperature  $T_{b,i}$  at the multi-port R-element are given by

$$\begin{cases} P_{b,i} = \frac{P_{b,I-1} + P_{b,I}}{2} \\ T_{b,i} = \frac{T_{b,I-1} + T_{b,I}}{2} \end{cases} \quad (26)$$

The functions in Equation (25) of the water properties are based on the Industrial Formulation IAPWS-IF97 which consists of a set of equations for different water regions (more details are given in (Wagner and Kretzschmar 2008)).

## RESULTS AND DISCUSSION

The bond graph model of the exchanger has been validated by simulations. Figure 10 shows the bond graph model of the PHE. The PHE model consists of total ( $N = 5$ ) numbers of plates, each layer being represented as a small heat exchanger (shown in Figure 4). The inputs of bond graph model are the pressure and the temperature, while the outputs are the mass flow rate and enthalpy flow rate for hot and cold parts.

The Modelica and the BG models were run for 400 seconds of simulation time. Figure 11 shows the pressures, where the black curves represent the pressure at the boundaries, the blue curves represent the pressure at each volume in the ThermoSysPro model, and the dashed green curves represent the pressure at each volume (C-element) in the BG model. Figure 12 shows the error between obtained pressures (Dymola and MS1) at first volume. From the comparison of the simulation results, the conclusion that can be made is that the both models have similar dynamic behavior.

## CONCLUSION

In this paper, a multi-port pseudo BG model of a plate heat exchanger system has been presented. The model can be used in transient system simulations and can be extended to cover other heat exchanger types. The comparison of the simulation results of bond graph model with the Modelica model indicates that the model predicts the dynamic behavior of the heat exchanger well.

Future developments will include developing bond graph models of centrifugal pump, regulating valve, feeding on-off valve, and pipes for nuclear power plants. The main objective is to study the observability, initial conditions, structural inversibility by physical structural analysis to improve systems diagnosis and operation.

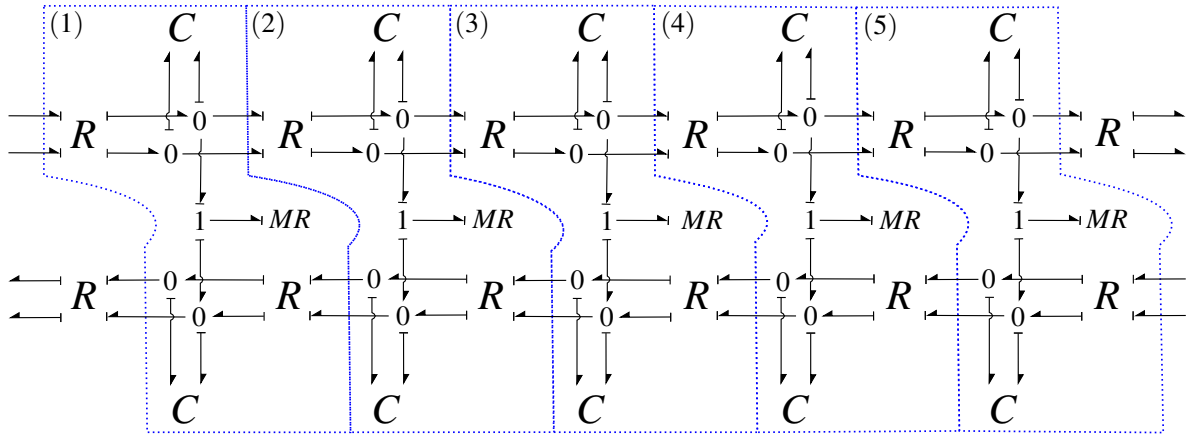


Figure 10: Pseudo bond graph of the plate heat exchanger (counterflow)

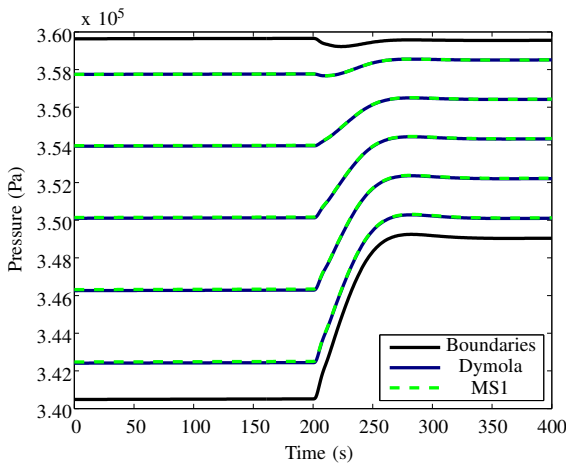


Figure 11: Comparison of bond graph model with Dymola model in hot flow

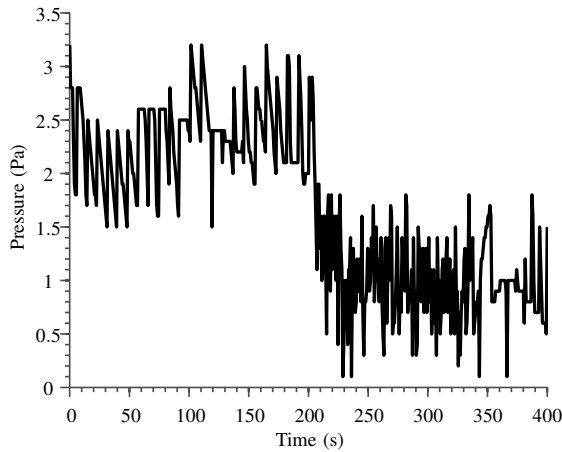


Figure 12: Error between obtained pressures (Dymola and MS1) at first volume

## APPENDIX

The following algorithm has been developed for pressure calculation in the C-accumulator of the heat exchanger. Based on the density function it was developed to determine water pressure in terms of specific enthalpy and density. The structure of the algorithm is shown in Algorithm 1. This is a very fast and

accurate method in all regions except solid region of the water. This algorithm is used because, as far as we know (Wagner and Kretzschmar 2008), there are no tables to calculate the water pressure directly in terms of specific enthalpy and density. In the solid region, the calculation of the water pressure is based on incompressibility consideration.

```

Data:  $\rho, h;$ 
 $p_{min} = 0.00611657; p_{max} = 1000;$ 
 $p_s = 100; \rho_s = \rho_s(p_s, h);$ 
while  $|\rho - \rho_s| > 1E-7$  do
   $\rho_s = \rho_s(p_s, h);$ 
  if  $\rho_s \geq \rho$  then
     $p_{max} = p_s;$ 
  else
     $p_{min} = p_s;$ 
  end
   $p_s = (p_{min} + p_{max})/2;$ 
end

```

**Algorithm 1:** Calculation of the water pressure using the density function

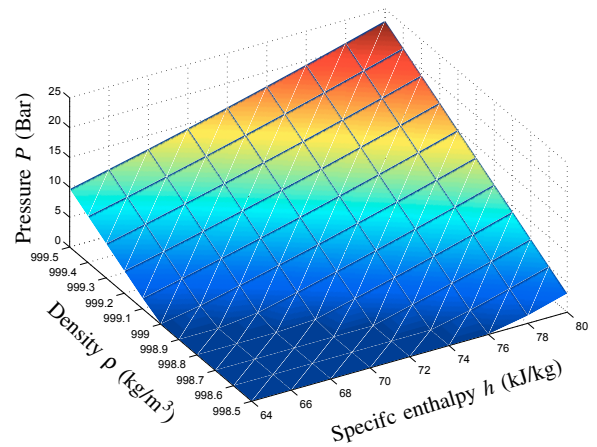


Figure 13: Pressure as a function of  $h$  and  $\rho$

Figure 13 shows how the thermodynamic propriety of the water pressure is very sensitive to small changes in density of the water.

## ACKNOWLEDGEMENTS

The research described in this paper is partly supported by DGE within the ongoing ITEA2 (www.itea2.org) project 11004 "MODRIO" (Model Driven Physical Systems Operation). The authors would like to thank Audrey Jardin and Daniel Bouskela (EDF R&D) for their help and valuable comments on this paper.

## NOMENCLATURE

$\lambda_m$	Metal thermal conductivity	$P$	Pressure
$\dot{m}$	Mass flow rate	$\Delta P$	Pressure drop
$h$	Specific enthalpy	$\rho$	Density
$\Delta S$	Heat transfer surface	$C_p$	Heat capacity
$L$	Heat exchanger length	$T$	Temperature
$n$	Number of plates	$Pr$	Prandtl number
$\mu$	Dynamic viscosity	$\dot{Q}$	Heat flow rate
$e_m$	Metal wall thickness	$\dot{W}$	Thermal power
$K_f$	Heat transfer coefficient	$V$	Volume
$N$	Number of segments	$Nu$	Nusselt number

### Chosen abbreviations

PHE	Plate Heat Exchanger
BG	Bond Graph
FVM	Finite-Volume Method
MB	Moving Boundaries

### Subscripts

$I$	in the volume I	$b = c$	Cold side
$i$	entering the volume I	$b = h$	Hot side

## REFERENCES

- Bendapudi, S., Braun, J. E. and Groll, E. A. (2004). "Dynamic Modeling of Shell-and-Tube Heat-Exchangers: Moving Boundary vs. Finite Volume", *International Refrigeration and Air Conditioning Conference*, Purdue.
- Cracow, T. S. (2011). "Experimental Prediction of Heat Transfer Correlations in Heat Exchangers", *University of Technology*, Poland.
- Crepaco, A. (1987). "Heat Transfer Handbook: Design and Application of Paraflo Plate Heat Exchangers", *APV Crepaco, Incorporated*.
- Delgado, M. and Thoma, J. (1999). "Bond Graph Modeling and Simulation of a Water Cooling System for a Moulding Plastic Plant", *Systems Analysis Modeling Simulation*, Vol. 36, pp. 153–171.
- Deneux, O., El Hafni, B., Péchiné, B., Di Penta, E., Antonucci, G. and Nuccio, P. (2013). "Establishment of a Model for a Combined Heat and Power Plant With ThermoSysPro Library", *Procedia Computer Science*, Vol. 19, pp. 746–753.
- Desideri, A., Wronski, J., Dechesne, B., van den Broek, M., Gusev, S., Quoilin, S. and Lemort, V. (2015). "Comparison of Moving Boundary and Finite-Volume Heat Exchangers Models in the Modelica Language", *3rd International Seminar on ORC Power Systems*, Brussels, Belgium.
- El Hefni, B. (2014). "Dynamic Modeling of Concentrated Solar Power Plants With the ThermoSysPro Library (Parabolic Trough Collectors, Fresnel Reflector and Solar-Hybrid)", *Energy Procedia*, Vol. 49, pp. 1127–1137.
- El Hefni, B. and Bouskela, D. (2006). "Modeling of a Water/Steam Cycle of the Combined Cycle Power Plant "Rio Bravo 2" with Modelica", *Modelica conference proceedings*.
- El Hefni, B., Bouskela, D. and Lebreton, G. (2011). "Dynamic Modelling of a Combined Cycle Power Plant With ThermoSysPro", *Proceedings of the 9th International Modelica Conference*, Munich, Germany.
- El Hefni, B., Bouskela, D. and Lebreton, G. (2012). "Dynamic Modelling of a Condenser/Water Heat With ThermoSysPro", *Proceedings of the 8th International Modelica Conference*, Vol. 63, Linköping, Linköping University Electronic Press, pp. 365–375.
- Guo, C., Du, W. and Cheng, L. (2012). "Characteristics of Heat Transfer and Resistance of Double Chevron Plate Heat Exchangers With Different Corrugation Pitch", *Advances in Intelligent and Soft Computing*, Vol. 143, pp. 169–174.
- Hubbard, M. and Brewer, J. (1981). "Pseudo Bond Graphs of Circulating Fluids with Application to Solar Heating Design", *Journal of the Franklin Institute*, Vol. 311, pp. 339–354.
- Jardin, A., Marquis-Favre, W. and Thomasset, D. (2009). "Bond Graph Sizing of Mechatronic Systems: Coupling of Inverse Modelling with Dynamic Optimization", *I. Troch, F. Breitenecker. MATHMOD*, Vienne, Austria.
- Jardin, A., Marquis-Favre, W., Thomasset, D., Guillemard, F. and Lorenz, F. (2008). "Study of a Sizing Methodology and a Modelica Code Generator for the Bond Graph Tool MS1", *Proceedings of the 6th International Modelica Conference*, Bielefeld, Allemagne, pp. 125–134.
- Karnopp, D. (1978). "Pseudo Bond Graphs for Thermal Energy Transport", *Journal of Dynamic Systems, Measurement and Control*, Vol. 100, pp. 165–169.
- Karnopp, D. (1979). "State Variables and Pseudo-Bond Graphs for Compressible Thermo-Fluid Systems", *Journal of Dynamic Systems, Measurement and Control*, Vol. 101, pp. 201–204.
- Karnopp, D. and Azerbaijani, S. (1981). "Pseudo Bond Graphs for Generalised Compartmental Models in Engineering and Physiology", *Journal of the Franklin Institute*, Vol. 312, pp. 95–108.
- Karnopp, D. C., Margolis, D. L. and Rosenberg, R. C. (1990). "System Dynamics: A Unified Approach", *John Wiley & Sons, Inc.*.
- Karnopp, D., D.L., M. and Rosenberg, R. (2012). "System Dynamics: Modeling, Simulation, and Control of Mechatronic Systems, Fifth Edition", *John Wiley & Sons, Inc.*, Hoboken, NJ, USA.
- Martínez, I. (1992). "Termodinámica Básica y Aplicada", *Ed. Dossat*.
- Ould Bouamama, B. (2003). "Bond Graph Approach as Analysis Tool in Thermo-Fluid Model Library Conception", *Journal of the Franklin Institute*, Vol. 340, pp. 1–23.
- Shoureshi, R. and Kevin, M. (1983). "Analytical and Experimental Investigation of Flow-Reversible Heat Exchangers Using Temperature-Entropy Bond Graphs", *American Control Conference*, pp. 1299–1304.
- Wagner, W. and Kretschmar, H.-J. (2008). "International Steam Tables - Properties of Water and Steam Based on the Industrial Formulation IAPWS-IF97", Springer-Verlag Berlin Heidelberg.