



HAL
open science

Hydrodynamic limit for an active exclusion process

Clément Erignoux

► **To cite this version:**

| Clément Erignoux. Hydrodynamic limit for an active exclusion process. 2016. hal-01350532v1

HAL Id: hal-01350532

<https://hal.science/hal-01350532v1>

Preprint submitted on 30 Jul 2016 (v1), last revised 6 Feb 2020 (v3)

HAL is a multi-disciplinary open access archive for the deposit and dissemination of scientific research documents, whether they are published or not. The documents may come from teaching and research institutions in France or abroad, or from public or private research centers.

L'archive ouverte pluridisciplinaire **HAL**, est destinée au dépôt et à la diffusion de documents scientifiques de niveau recherche, publiés ou non, émanant des établissements d'enseignement et de recherche français ou étrangers, des laboratoires publics ou privés.

HYDRODYNAMIC LIMIT FOR AN ACTIVE EXCLUSION PROCESS

by

Clément Erignoux

Abstract. — Collective dynamics can be observed among many animal species, and have given rise in the last decades to an active and interdisciplinary field of study. Such behaviors are often modeled by active matter, in which each individual is self-driven and tends to update its velocity depending on the one of its neighbors.

In a classical model introduced by Vicsek & al., as well as in numerous related active matter models, a phase transition between chaotic behavior at high temperature and global order at low temperature can be observed. Even though ample evidence of these phase transitions has been obtained for collective dynamics, from a mathematical standpoint, such active systems are not fully understood yet. Significant progress has been achieved in the recent years under an assumption of mean-field interactions, however to this day, few rigorous results have been obtained for models involving purely local interactions.

In this paper, we describe a lattice active particle system, in which particles interact locally to align their velocities. We obtain rigorously, using the formalism developed for hydrodynamic limits of lattice gases, the scaling limit of this out-of-equilibrium system, for which numerous technical and theoretical difficulties arise.

Résumé (Limite hydrodynamique pour un processus d'exclusion actif). — L'étude des dynamiques collectives, observables chez de nombreuses espèces animales, a motivé dans les dernières décennies un champ de recherche actif et transdisciplinaire. De tels comportements sont souvent modélisés par de la matière active, c'est-à-dire par des modèles dans lesquels chaque individu est caractérisé par une vitesse propre qui tend à s'ajuster selon celle de ses voisins.

De nombreux modèles de matière active sont liés à un modèle fondateur proposé en 1995 par Vicsek & al.. Ce dernier, ainsi que de nombreux modèles proches, présentent une transition de phase entre un comportement chaotique à haute température, et un comportement global et cohérent à faible température. De nombreuses preuves numériques de telles transitions de phase ont été obtenues dans le cadre des dynamiques collectives. D'un point de vue mathématique, toutefois, ces systèmes actifs sont encore mal compris. Plusieurs résultats ont été obtenus récemment sous une approximation de champ moyen, mais il n'y a encore à ce jour que peu d'études mathématiques de modèles actifs faisant intervenir des interactions purement microscopiques.

Dans cet article, nous décrivons un système de particules actives sur réseau interagissant localement pour aligner leurs vitesses. Nous obtenons rigoureusement, à l'aide du formalisme des limites hydrodynamiques pour les gaz sur réseau, la limite macroscopique de ce système hors-équilibre, qui pose de nombreuses difficultés techniques et théoriques.

Contents

1. Introduction	2
1.1. Collective motion among biological organisms	2
1.2. Microscopic active matter models	3
Vicsek model and phase transition in alignment models	3
Motility-Induced Phase Transition (MIPS)	5
1.3. Hydrodynamics limits for non-gradients systems	6
1.4. Multi-type lattice gases, and contributions of this article	6

Key words and phrases. — Statistical physics, Hydrodynamic Limits, Lattice gases, Out-of-equilibrium systems, Non-gradient systems, Exclusion process.

Thanks. - I would like to warmly thank Thierry Bodineau, my PhD advisor, for his unwavering support and help throughout writing this proof, as well as Julien Tailleur for his insight on active matter and MIPS.

1.5. Active Exclusion Process and main result.....	8
Description of a simplified process with two particle types.....	8
Hydrodynamic limit.....	9
Description of the Active Exclusion Process (AEP).....	9
Model extensions.....	10
1.6. Structure of the article.....	11
2. Notations and Main theorem.....	11
2.1. Main notations and introduction of the Markov generator.....	11
2.2. Measures associated to a smooth profile and definition of the Markov process ..	13
2.3. Hydrodynamic limit.....	14
2.4. Instantaneous currents.....	16
3. Canonical measures, entropy and irreducibility.....	18
3.1. Definition of the canonical measures.....	18
3.2. Entropy production and local equilibrium.....	20
3.3. Irreducibility and control on full clusters.....	24
4. Law of large number for the spin process.....	33
4.1. Replacement Lemma	33
4.2. Proof of the replacement Lemma	34
4.3. Proof of Lemma 4.3 : The one-block estimate.....	37
4.4. Proof of Lemma 4.4 : The two-block estimate.....	40
5. Preliminaries to the non-gradient method.....	42
5.1. An integration by parts formula in the context of particle systems.....	42
5.2. Spectral gap for the symmetric exclusion spin process.....	44
5.3. Comparison with an equilibrium measure.....	50
5.4. Relative compactness of the sequence $(Q_N)_{N \in \mathbb{N}}$	52
5.5. Regularity of the density and energy estimate.....	57
6. Non-gradient estimates.....	63
6.1. Replacement of the symmetric current by a macroscopic gradient.....	63
6.2. Replacement of the currents and $\mathcal{L}f$ by their local average	66
6.3. Estimation of the gradients on full clusters.....	67
6.4. Replacement of the macroscopic gradients by their local counterparts.....	72
6.5. Projection on non-full sets and reduction to a variance problem.....	77
6.6. Discrete differential forms in the context of particles systems.....	80
6.7. Space-time covariance limit	97
6.8. Diffusion and drift coefficients.....	102
6.9. Drift part of the hydrodynamic limit.....	117
7. Proof of the hydrodynamic limit.....	121
Appendix A. General tools.....	127
A.1. Topological setup.....	127
A.2. Self-diffusion coefficient.....	127
A.3. Entropy.....	128
A.4. Bound on the largest eigenvalue of a perturbed Markov generator.....	128
Appendix B. Space of parameters $\mathcal{M}_1(\mathbb{S})$	129
B.1. Equivalence of ensembles.....	129
B.2. Dependency of the grand canonical measures $\mu_{\hat{\alpha}}$ in $\hat{\alpha}$	129
B.3. Compactness $(\mathcal{M}_1(\mathbb{S}), \cdot)$	130
Appendix C. Proof of Theorem 6.25 : Limiting space-time covariance.....	131
Index.....	138
References.....	139

1. Introduction

1.1. Collective motion among biological organisms. — Collective motion is a widespread phenomenon in nature, and has motivated in the last decades a fruitful and interdisciplinary field of study

[34]. Such behavior can be observed among many animal species, across many scales of the living spectrum, and in a broad range of environments. Animal swarming usually needs to balance out the benefits of collective behavior (defense against predation, protection of the young ones, increased vigilance) against the drawback of large groups (food hardships, predator multiplication, etc.).

Despite the numerous forms of interaction between individuals, all of these self-organization phenomena present spontaneous emergence of density fluctuations and long range correlations. This similarity suggests some universality of collective dynamics models [25], [51]. Even though the biological reasons for collective behavior are now well known, the underlying microscopic and macroscopic mechanisms are not yet fully understood. To unveil these mechanisms, numerous aggregation models have been put forward.

These models can be built on two distinct principles. The first approach specifies the macroscopic partial differential equation which rules the evolution of the local density of individuals. The main upside is that one can use the numerous tools developed for solving PDE's. Several examples of such models are presented in Okubo and Levin's book, [32]. Since it represents an average behavior, this approach to collective dynamics is, however, mainly fitted to describe systems with large number of individuals, and does not take into account the fluctuations to which smaller systems are subject.

The second approach, called *Individual-Based Models* (IBM), specifies the motion of each individual organism. If the motion of each individual was described realistically (from a biological standpoint), the theoretical study of these models with large number of degrees of freedom would be extremely difficult. For this reason, it is usually preferred to simplify the rules for the motion of each individual, as well as its interaction with the group. A classical simplification is to consider that the interaction of each individual with the group is averaged out over a large number of its neighbors. This so-called *local field* simplification often allows to obtain explicit results, at the expense however of their biological accuracy (cf. below).

In this article, we link these two approaches to collective motion, by describing a microscopic dynamics with local interactions for particles on a lattice, for which we derive the macroscopic partial differential equation followed by the particle density.

1.2. Microscopic active matter models. — In order to represent the direction of the motion of each individual, as well as spatial constraints (e.g. volume of each organism), collective dynamics are often modeled by individual-based *active matter* models. Active matter is characterized by an energy dissipation taking place at the level of each individual particle, which allows it to self-propel, thus yielding an extra degree of freedom representing the direction of its motion. One can therefore obtain a phase transition towards collective motion when these directions align on lengths large with respect to the size of the particles. Active matter models exhibit various behaviors, and in the context of collective motion, two phenomena are particularly important :

- when each particle tends to align the direction of its motion to that of its neighbors, one can observe a phase transition between order and disorder depending on the strength of the alignment. This *alignment phase transition* was first observed in an influential model for collective dynamics introduced by Vicsek et al. [50]
- When the particle's velocity decreases with the local density, congestion effects appear : particles spend more time where their speed is lower, and therefore tend to accumulate there. This phenomenon, called Motility-Induced Phase Separation (MIPS), was extensively studied in the recent years [9], [21], [11].

Vicsek model and phase transition in alignment models. — Interest for self-organization phenomena have grown significantly in statistical physics, where the diversity of such behaviors opens numerous modeling perspectives, and raises new questions regarding out-of-equilibrium systems. Many stochastic models have been introduced to represent specific biological behavior using statistical physics methods and have revealed a phase transition between high density collective motion, and disordered behavior with short range correlations at low densities.

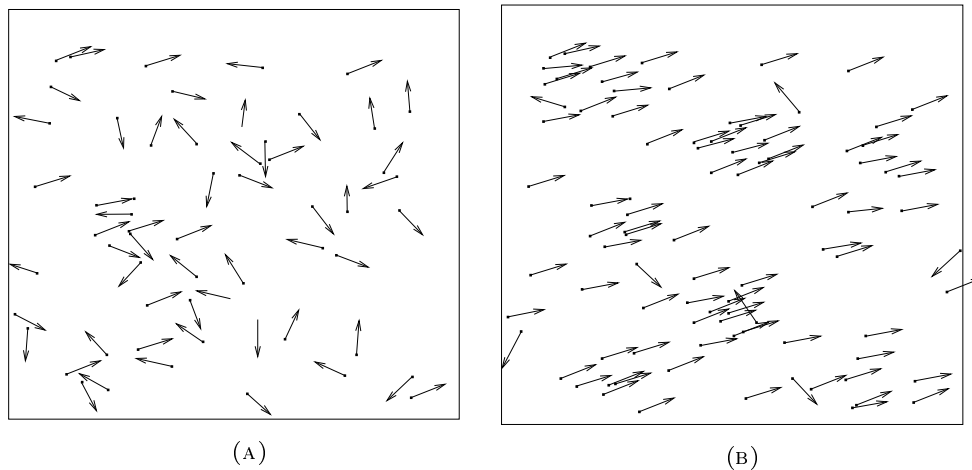


FIGURE 1. Schematic representation of the phase transition in Vicsek's model.
 (A) low density and high noise intensity,
 (B) high density and low noise intensity.

A pioneering model was proposed in 1995 by Vicsek et al. They introduce in [50] a general IBM (cf. previous paragraph) to model collective dynamics. In the latter, a large number of particles move in discrete time, and update the direction of their motion to the average direction of the particles in a small neighborhood. The direction of their motion is also submitted to a small noise, which makes the dynamics stochastic.

Despite its relative simplicity, the original model described in [50] is extremely rich, and has given rise to a considerable literature (cf. the review by Vicsek and Zafeiris, [51]). The first article on this model unveiled a phase transition between a high-noise, low-density disordered phase and a low-noise high-density ordered phase. Initially thought to be critical, this transition was later shown to be discontinuous [12], with an intermediate region in which an ordered band cruises in a disordered background. It was recently shown that this transition can be understood as a liquid-gas phase separation in which the coexistence phase is organized in a smectic arrangement of finite-width bands travelling collectively [42]. Numerous extensions and variations on Vicsek's model have been put forward, usually by considering a continuous time dynamics, more pertinent to represent biological organisms.

Phase transitions are central to the study of collective dynamics, where coherent behavior arise when the alignment becomes strong enough. This notion of phase transition for alignment dynamics is reminiscent of the Ising and XY models, two classical statistical physics models. The Ising model is known to have a symmetry breaking phase transition leading to the emergence of a spontaneous magnetization. Unlike the Ising model, the XY model (for which the spins are two-dimensional unit vectors parametrized by angles $\theta \in [0, 2\pi[$) does not present in two dimensions this type of symmetry breaking phase transition, according to the Mermin-Wagner Theorem. This is one of the reasons for the popularity of the Vicsek model [50], whose alignment dynamics is reminiscent of the XY model, but unlike the latter presents a phase transition of the magnetization due to the particle motility [47]. Both the Ising and XY models are now well understood. These are *equilibrium models* and they fall within the formalism of Gibbs measures, which relates to the thermodynamical parameters of the system.

Active matter models like Vicsek's are out of equilibrium, and in the case of Vicsek's model, the phase transition is a dynamical phenomenon. The concepts developed for equilibrium models, namely Gibbs measures and free energy, can therefore no longer be used, and despite ample numerical evidence of spontaneous magnetization, (cf. [41]) mathematically proving a phase transition becomes significantly harder.

Despite these issues, several exact results have been obtained for systems closely related to Vicsek's model. In 2007, Degond and Motsch notably introduced a continuous time version of Vicsek's model,

and derived the macroscopic scaling limit of the system [18], as well as its microscopic corrections [19]. Their model, which was directly inspired by that of Vicsek et al., is a *locally mean-field model*, where particles interact with all other particles present in a small macroscopic neighborhood. This approximation simplifies a number of difficulties of out-of-equilibrium systems. In their initial article [18], Degond and Motsch assume that a law of large number holds for the microscopic system. This was later rigorously proved in [4]. The phase transition as a function of the noise level, between disordered system and global alignment, was shown in [16] for this model. Similar results have since been extended to more general forms of alignment, (e.g. [3], [6], [17]) and to density dependent parameters [22]. The evolution of the macroscopic density was also obtained in the particular case where the interaction between individuals is driven by a Morse potential, [7], where previously the shape of animal aggregates (e.g. fish schools mills) was only known empirically.

The *Active Ising Model* (AIM) is another alignment model, phenomenologically close to Vicsek's model [41], put forward to better understand collective dynamics. It is less demanding from a computational standpoint, and is extensively studied both numerically and theoretically by Solon and Tailleur in [43]. This model does not rely on the mean-field approximation of the Vicsek's model. The particles (with either "+" or "-" spins) move independently in a discrete space domain, performing an asymmetric random walk with drift directed according to the particle's spin. In addition to the displacement dynamics, the particles align their spins with the other particles on the same site as in a fully connected Ising model.

It was numerically shown in [43] that the AIM presents, as does Vicsek's, a phase transition depending both on the temperature and the particle density. At low temperature and density, one observes a magnetically neutral gas, whereas at strong temperature and densities, one obtains a strongly polarized liquid. In an intermediary domain, these two phases coexist. The AIM being an out-of-equilibrium model as well, its mathematical study is difficult, mainly because of the lack of mean-field approximation present in Vicsek's model. To our knowledge, there exists to this day no mathematical proof of the phase transition of the AIM. The model considered in this paper is closely related to both the Vicsek and the active Ising models.

Motility-Induced Phase Transition (MIPS). — As previously emphasized, a second interesting phenomenon can occur in active matter : when the motility of the particles decreases as the local particle density increases, one can observe a phase separation between a low density gaseous phase, and condensed clusters. This separation is a direct consequence of particles slowing down in dense areas : since they spend more time there, they tend to accumulate. This creates the congestion phenomenon called *Motility Induced Phase Transition*, or *MIPS*, which was thoroughly studied in recent years (cf. the review by Cates and Tailleur, [11]).

This congestion phenomenon can be observed across several types of dynamics, under the condition that the particle's velocities and diffusion constants depend on the local density. One of the most studied is the *run-and-tumble dynamics* [8], which models the behavior of bacteria : each individual goes in a straight line for a while, and then reorients in another random direction. However, MIPS is not specific to run and tumble dynamics : it is shown numerically in [10], [40] that MIPS also occurs for active Brownian particles, for which each particles motion's direction diffuses, instead of updating at discrete times like in the run-and-tumble dynamics. MIPS can also be observed in lattice models [46], or in models with repulsive forces [21], for which the kinetic slowdown is a consequence of repulsive forces.

Unlike the collective dynamic models inspired by Vicsek's, the model studied in this article (which will from now on be referred to as Active Exclusion Process, or AEP) involves purely microscopic rather than mean-field interactions. To illustrate the link of our model with MIPS, and as a prelude to the rest of the introduction, let us briefly describe a simplified version of the AEP. On a two-dimensional periodic lattice, consider two-types of particles, denoted "+" and "-", which move and update their type according to their neighbors.

— Each particle's type is randomly updated by a Glauber dynamics depending on its nearest neighbors.

— The motion of any particle is a random walk, weakly biased in one direction depending on its type : the ”+” particles will tend to move to the right, whereas the ”-” particles will tend to move to the left.

— The vertical displacement is symmetric regardless of the particle’s type.

To model hard-core interactions, an *exclusion rule* is imposed, i.e. two particles cannot be present on the same site : a particle jump towards an occupied site will be canceled. This induces the congestion effects which can lead to motility induced phase transition (MIPS), and one can therefore hope that this model encompasses both the alignment phase transition characteristic of the Vicsek’s and the Active Ising models, as well as MIPS.

A first microscopic dynamics combining alignment and stirring was introduced in [13], where De Masi et al. consider a lattice gas with two types of particles, in which two neighboring particles can swap their positions, and can change type according to the neighboring particles. They derived the hydrodynamic limit, as well as the fluctuations, when the stirring dynamics is accelerated by a diffusive scaling, w.r.t. the alignment dynamics. This scale separation is crucial to have both alignment and stirring present in the hydrodynamic limit.

In this article, we derive the hydrodynamic limit for an extension of the model briefly described above. Generally, the strategy to obtain the hydrodynamic limit for a lattice gas depends significantly on the microscopic features of the model, and must be adapted on a case by case basis to the considered dynamics. For example, the exclusion rule in the AEP makes it non-gradient, thus the proof of its hydrodynamic limit is significantly more elaborate. The end of this introduction is dedicated to describing the difficulties occurring in the derivation of the hydrodynamic limit of our model.

1.3. Hydrodynamics limits for non-gradients systems. — The Active exclusion process (AEP) presented above belongs to a broad class of microscopic lattice dynamics for which the instantaneous particle currents along any edge cannot be written as a discrete gradient. This difficulty appears naturally in exclusion systems, in particular for systems with multiple particle types, or for generalized exclusion processes where only a fixed number κ ($\kappa \geq 2$) of particles can be present at the same site. Such systems are called *non-gradients*. A considerable part of this article is dedicated to solving the difficulties posed by the non-gradient nature the AEP.

The first proof for a non-gradient hydrodynamic limit was obtained by Varadhan in [48], and Quastel [35] (cf. below). To illustrate the difficulty let us consider a general diffusive particle system of size N in 1 dimension, evolving according to a Markov generator \mathcal{L}_N . Such a diffusive system must be rescaled in time by a factor N^2 , therefore each jump in \mathcal{L}_N should occur at rate N^2 . Denoting by η_x the state of the system at the site x (e.g. number of particles, energy of the site), $\mathcal{L}_N \eta_x$ is a microscopic gradient,

$$\mathcal{L}_N \eta_x = N^2(j_{x-1,x} - j_{x,x+1}),$$

where $j_{x,x+1}$ is the instantaneous current along the edge $(x, x + 1)$, and the N^2 comes from the time-rescaling. This microscopic gradient balances out a first factor N , and acts as a spatial derivative on a macroscopic level. In order to obtain a diffusive equation similar to the heat equation, one needs to absorb the second factor N in a second spatial derivative. This is the main difficulty for non-gradient systems, for which the instantaneous current $j_{x,x+1}$ does not take the form of a microscopic gradient. The purpose of the non-gradient method developed by Varadhan is to obtain a so-called *microscopic fluctuation-dissipation relation*

$$j_{x,x+1} \simeq -D(\eta_{x+1} - \eta_x) + \mathcal{L}_N g_x,$$

where $\mathcal{L}_N g_x$ is a small fluctuation which usually disappears in the macroscopic limit according to Fick’s law for diffusive systems. Although the link to the macroscopic fluctuation-dissipation relation (cf. Section 8.8, p140-141 in [45] for more detail on this relation) is not apparent, the latter is indeed a consequence of the microscopic identification above, as emphasized in Remark 6.36.

1.4. Multi-type lattice gases, and contributions of this article. — Numerous statistical physics articles focus on particle systems with several particle types, and the difficulties to obtain their hydrodynamic limit vary significantly depending on the specificities of each microscopic dynamics. Active matter

provides natural examples of multi-type particle systems, since each possible velocity can be interpreted as a different type. When the particles evolve in a continuous space domains, (e.g. [15], [16]) and in the absence of hard-core interactions, the density of each type of particles can essentially be considered independently regarding displacement, and the scaling limit usually decouples the velocity variable and the space variable.

In the case of lattice gases, however, it becomes necessary to specify the way particles interact when they are on the same site. Dynamically speaking, the multi-type models often allow either

- swapping particles with different types, as in [37] for a totally asymmetric system with velocity flips.
- The coexistence on a same site of particles with different velocities, as in [14] or [39] for a model closely related to the one investigated in this article with weak driving forces.

These simplifications allow to bypass the specific issues which arise for diffusive systems with complete exclusion between particles, since the latter often require the non-gradient tools mentioned previously.

The first hydrodynamic limits for non-gradient microscopic systems were studied by Varadhan and Quastel. They developed in [48] and [35] the general method to derive the hydrodynamic limit for non-gradient systems with only requirement a sharp estimate for the Markov generator's spectral gap. Quastel also notably obtained in [35] an explicit expression for the diffusion and conductivity matrices for the multi-type exclusion process, as a function of the various particle densities and of the self-diffusion coefficient $d_s(\rho)$ of a tagged particle for the equilibrium symmetric simple exclusion process with density ρ . This result was then partially extended to the weakly asymmetric case (in [36] as a step to obtain a large deviation principle for the empirical measure of the symmetric simple exclusion process, and where the asymmetry does not depend on the configuration, and in [24] for a weak asymmetry with a mean-field dependence in the configuration), as well as a more elaborate dynamics with creation and annihilation of particles [38].

The purpose of this article is to derive the hydrodynamic limit for an active matter lattice gas with purely microscopic interactions. This article also provides a generalization, as well as a detailed proof of the results derived by Quastel [35]. First, some of the specific arguments used by Quastel are only true in the simple symmetric case. In particular, in the case of multi-type exclusion dynamics, it is crucial to ensure that the particle density does not reach 1, because when this is the case, the system loses its mixing properties. When the considered dynamics is a multi-type symmetric exclusion, the macroscopic density for the total number of particles evolves according to the heat equation, and density control at any given time is ensured by the maximum principle. In our case, the limiting equation is not diffusive, and the density control is much harder to derive. Second, [35] was one of the first examples of hydrodynamic limit for non-gradient systems, and to make the proof more accessible, we adapted it by using the more recent formalism developed in [27], in which an important upside is the clear identification of the orders of the estimates in the scaling parameter N .

We also extend the proof of the hydrodynamic limit for the multi-type exclusion process [35] to the weakly asymmetric case when the particle types depend on a continuous parameter. The hydrodynamic limit for lattice gases with K particle types takes the form of K coupled partial differential equations. Extending it to a continuum of particle types therefore poses the issue of the well-posedness of the system. One way to avoid this difficulty is to consider the scaling limit of only a finite number of macroscopic parameters to partially characterize the system's local equilibrium (density, local energy [33], momentum [20], local asymmetry) which reduces the description to a finite number of coupled PDEs.

This is not the solution we chose for our model, because the equations for a finite number of velocities found a natural extension in the continuous velocity case. We thus kept the scaling limit of each particle type, by introducing an angular variable joint to the space variable. This induced several technical difficulties. In particular, as opposed to the previous examples, local equilibrium is not characterized by a finite number of macroscopic parameters, which required significant adaptation of the proof of the hydrodynamic limit.

1.5. Active Exclusion Process and main result. — The remainder of this Section is dedicated to a short description of our model and its hydrodynamic limit. For simplicity, we first focus on the reduced model with only two types of particles, and then introduce the full Active Exclusion Process treated in this article. Precisely describing the complete model, and rigorously stating its hydrodynamic limit, will be the purpose of Section 2.

Description of a simplified process with two particle types. — For the clarity of notations, we describe and study our model in dimension $d = 2$. The simplified version of the model can be considered as an Active Ising Model [43] with an *exclusion rule* : each site x of the periodic lattice \mathbb{T}_N^2 of size N is either

- occupied by a particle of type “+” ($\eta_x^+ = 1$),
- occupied by a particle of type “-” ($\eta_x^- = 1$),
- empty if $\eta_x^+ = \eta_x^- = 0$.

Each site contains at most one particle, thus the pair (η_x^+, η_x^-) entirely determines the state of any site x , and is either $(1, 0)$, $(0, 1)$ or $(0, 0)$. The initial configuration for our particle system is chosen at local equilibrium and close to a smooth macroscopic profile $\zeta_0 = \zeta_0^+ + \zeta_0^- : \mathbb{T}^2 \rightarrow [0, 1]$, where \mathbb{T}^2 is the continuous domain $[0, 1]^2$ with periodic boundary conditions, and $\zeta_0^+(x)$ (resp. $\zeta_0^-(x)$) is the initial probability that the site x contains a “+” particle (resp. “-”). We denote by $\hat{\eta}$ the collection $((\eta_x^+, \eta_x^-))_{x \in \mathbb{T}_N^2}$.

Each particle performs a random walk, which is symmetric in the direction $i = 2$, and weakly asymmetric in the direction $i = 1$. The asymmetry is tuned via a positive parameter λ , thus a “+” (resp. “-”) particle at site x jumps towards $x + e_1$ at rate $1 + \lambda/N$ (resp. $1 - \lambda/N$) and towards $x - e_1$ at rate $1 - \lambda/N$ (resp. $1 + \lambda/N$). If a particle tries to jump to an occupied site, the jump is canceled. In order to obtain a macroscopic contribution of this displacement dynamics, it must be accelerated by a factor N^2 .

Moreover, the type of the particle at site x is updated at random times, depending on its nearest neighbors. Typically, to model collective motion, a “-” particle surrounded by “+” particles will change type quickly, whereas a “-” particle surrounded by “-” particles will change type slowly, to model the tendency of each individual to mimic the behavior of its neighbors. The microscopic details of this update dynamics is not crucial to the hydrodynamic limit (in the scaling considered here), we therefore choose general bounded flip rates $c_{x,\beta}(\hat{\eta})$ parametrized by an inverse temperature β .

The complete dynamics can be split into three parts, namely the symmetric and asymmetric contributions of the exclusion process, and the Glauber dynamics, evolving on different time scales. For this reason, each corresponding part in the Markov generator has a different scaling in the parameter N : the two-type process is driven by the generator

$$L_N = N^2 \left[\mathcal{L} + \frac{1}{N} \mathcal{L}^{\text{WA}} \right] + \mathcal{L}^{\text{G}},$$

whose three elements we now define. Fix a function f of the configuration, we denote by

$$\eta_x = \eta_x^+ + \eta_x^- \in \{0, 1\}$$

the total occupation state of the site x . The nearest-neighbor simple symmetric exclusion process generator \mathcal{L} is

$$\mathcal{L}f(\hat{\eta}) = \sum_{x \in \mathbb{T}_N^2} \sum_{|z|=1} \eta_x (1 - \eta_{x+z}) (f(\hat{\eta}^{x,x+z}) - f(\hat{\eta})),$$

\mathcal{L}^{WA} encompasses the weakly asymmetric part of the displacement process,

$$\mathcal{L}^{\text{WA}}f(\hat{\eta}) = \sum_{x \in \mathbb{T}_N^2} \sum_{i=1,2, \delta=\pm 1} \delta\lambda(\eta_x^+ - \eta_x^-) (1 - \eta_{x+\delta e_i}) (f(\hat{\eta}^{x,x+\delta e_i}) - f(\hat{\eta})),$$

which is not a Markov generator because of its negative jump rates, but is well-defined once added to the symmetric part of the exclusion process. Finally, \mathcal{L}^{G} is the generator which rules the local alignment of the angles

$$\mathcal{L}^{\text{G}}f(\hat{\eta}) = \sum_{x \in \mathbb{T}_N^2} \eta_x c_{x,\beta}(\hat{\eta}) (f(\hat{\eta}^x) - f(\hat{\eta})).$$

In the identities above, $\widehat{\eta}^{x,x+z}$ is the configuration where the states of x and $x+z$ have been swapped in $\widehat{\eta}$, and $\widehat{\eta}^x$ is the configuration where the type of the particle at site x has been changed.

Hydrodynamic limit. — Let us denote by $\rho_t^+(u)$ (resp. $\rho_t^-(u)$) the macroscopic density of “+” (resp. “−”) particles, and by $\rho_t(u) = \rho_t^+(u) + \rho_t^-(u)$ the total density at any point u in \mathbb{T}^2 . Let us also denote by $m_t(u) = \rho_t^+(u) - \rho_t^-(u)$ the local average asymmetry.

Then, as a special case of our main result (with minor adjustments) the pair (ρ_t^+, ρ_t^-) is solution, in a weak sense, to the partial differential system

$$(1.1) \quad \begin{cases} \partial_t \rho_t^+ = \nabla \cdot [\mathfrak{d}(\rho_t^+, \rho_t) \nabla \rho_t + d_s(\rho_t) \nabla \rho_t^+] + 2\lambda \partial_{u_1} [m \mathfrak{s}(\rho_t^+, \rho_t) + d_s(\rho_t) \rho_t^+] + \Gamma_t, \\ \partial_t \rho_t^- = \nabla \cdot [\mathfrak{d}(\rho_t^-, \rho_t) \nabla \rho_t + d_s(\rho_t) \nabla \rho_t^-] + 2\lambda \partial_{u_1} [m \mathfrak{s}(\rho_t^-, \rho_t) - d_s(\rho_t) \rho_t^-] - \Gamma_t \end{cases}$$

with initial profile

$$(1.2) \quad \rho_0^\pm(u) = \widehat{\zeta}^\pm(u).$$

In the PDE (1.3), ∂_{u_1} denotes the partial derivative in the first space variable, d_s is the self-diffusion coefficient for the SSEP in dimension 2 mentioned in the introduction, the coefficients \mathfrak{d} and \mathfrak{s} are given by

$$\mathfrak{d}(\rho^*, \rho) = \frac{\rho^*}{\rho} (1 - d_s(\rho)) \quad \text{and} \quad \mathfrak{s}(\rho^*, \rho) = \frac{\rho^*}{\rho} (1 - \rho - d_s(\rho)),$$

and Γ_t is the local creation rate of particles with type “+”, which can be written as the expectation under a product measure of the microscopic creation rate. Although it is not apparent, the coefficients \mathfrak{d} , \mathfrak{s} , and d_s are solution to a Stokes-Einstein relation in a matrix form when the differential equation is written for the vector (ρ_t^+, ρ_t^-) .

As mentioned previously, this simplified model is very close to the Active Ising Model [43] with a weak driving force. The main difference is the exclusion rule : in the AIM, there is no limit to the number of particles per site, and each particle’s type is updated depending on the other particles present at the same site. In our two-type model, the exclusion rule creates a strong constraint on the displacement and therefore changes the form of the hydrodynamic limit, which is no longer the one derived in [43].

Description of the Active Exclusion Process (AEP). — We now describe the *Active Exclusion Process*, which is a generalization of the model presented above. Since the AEP is thoroughly introduced in section 2, we briefly describe it here, and only give a heuristic formulation for our main result. The type of any particle is now a parameter $\theta \in [0, 2\pi[$ which represents the angular direction of its weak driving force. To compare with the simplified model, the “+” particles correspond to the angle $\theta = 0$, whereas the “−” particles correspond to the angular direction $\theta = \pi$.

Any site is now either occupied by a particle with angle θ ($\eta_x = 1$, $\theta_x = \theta$), or empty ($\eta_x = 0$, $\theta_x = 0$ by default). The initial configuration $\widehat{\eta}(0)$ of the system is chosen at local equilibrium, close to a smooth macroscopic profile $\widehat{\zeta} : \mathbb{T}^2 \times [0, 2\pi[\rightarrow \mathbb{R}_+$, where each site x is occupied by a particle with angle $\theta_x \in [\theta, \theta + d\theta[$ with probability $\widehat{\zeta}(x/N, \theta) d\theta$, and the site remains empty w.p. $1 - \int_{[0, 2\pi[} \widehat{\zeta}(x/N, \theta) d\theta$.

Our Active Exclusion Process is driven by the Markov generator

$$L_N = N^2 \left[\mathcal{L} + \frac{1}{N} \mathcal{L}^{\text{WA}} \right] + \mathcal{L}^{\text{G}},$$

with three parts described below. Fix a function f of the configuration. The nearest-neighbor simple symmetric exclusion process generator \mathcal{L} is unchanged with respect to the two-type case, whereas \mathcal{L}^{WA} is now given by

$$\mathcal{L}^{\text{WA}} f(\widehat{\eta}) = \sum_{x \in \mathbb{T}_N^2} \sum_{i=1,2, \delta=\pm 1} \delta \lambda_i(\theta_x) \eta_x (1 - \eta_{x+\delta e_i}) (f(\widehat{\eta}^{x, x+\delta e_i}) - f(\widehat{\eta})),$$

where the asymmetry in the direction i for a particle with angle θ is encoded by the functions $\lambda_i(\theta)$,

$$\lambda_1(\theta) = \lambda \cos(\theta) \quad \text{and} \quad \lambda_2(\theta) = \lambda \sin(\theta).$$

To fix ideas, The Glauber generator will be taken of the form

$$\mathcal{L}^G f(\hat{\eta}) = \sum_{x \in \mathbb{T}_N^2} \eta_x \int_{\mathbb{S}} c_{x,\beta}(\theta, \hat{\eta}) (f(\hat{\eta}^{x,\theta}) - f(\hat{\eta})) d\theta,$$

where $\hat{\eta}^{x,\theta}$ is the configuration where θ_x has been set to θ , and we choose alignment rates as for the Glauber dynamics of the XY model. More precisely, we consider

$$c_{x,\beta}(\theta, \hat{\eta}) = \frac{\exp\left(\beta \sum_{y \sim x} \eta_y \cos(\theta_y - \theta)\right)}{\int_{\mathbb{S}} \exp\left(\beta \sum_{y \sim x} \eta_y \cos(\theta_y - \theta')\right) d\theta'},$$

which tends to align θ_x with the θ_y 's, where y is a neighbor site of x . In the jump rates above, we take the value in $[-\pi, \pi]$ of the angle $\theta_y - \theta$. The intensity λ and the inverse temperature β still tune the strength of the drift and the alignment.

As mentioned before, we settle for now for a heuristic formulation of the hydrodynamic limit. Let us denote by $\rho_t^\theta(u)$ the macroscopic density of particles with angle θ , and by $\rho_t(u) = \int_{\mathbb{S}} \rho_t^\theta(u) d\theta$ the total density at any point u in the *periodic domain* $\mathbb{T}^2 := [0, 1]^2$. Let us also denote by $\vec{\Omega}_t$ the local direction of the averaged asymmetry

$$\vec{\Omega}_t(u) = \int_{[0, 2\pi[} \rho_t^\theta(u) \begin{pmatrix} \cos(\theta) \\ \sin(\theta) \end{pmatrix} d\theta.$$

As expected from (1.1), the main result of this article is that ρ_t^θ is solution, in a weak sense, to the partial differential equation

$$(1.3) \quad \partial_t \rho_t^\theta = \nabla \cdot [\mathfrak{d}(\rho_t^\theta, \rho_t) \nabla \rho_t + d_s(\rho_t) \nabla \rho_t^\theta] + 2\nabla \cdot \left[\mathfrak{s}(\rho_t^\theta, \rho_t) \lambda \vec{\Omega}_t + d_s(\rho_t) \rho_t^\theta \begin{pmatrix} \lambda_1(\theta) \\ \lambda_2(\theta) \end{pmatrix} \right] + \Gamma_t,$$

with initial profile

$$\rho_0^\theta(u) = \widehat{\zeta}(u, \theta).$$

In the PDE (1.3), d_s is the self-diffusion coefficient for the SSEP in dimension 2 mentioned previously, the coefficients \mathfrak{d} and \mathfrak{s} are the same as in the two-type case, and Γ_t is the local creation rate of particles with angles θ , which can be written as the expectation under a product measure of the microscopic creation rate.

Before properly stating the hydrodynamic limit, let us recall the major difficulties of the proof. The main challenge is the non-gradient nature of the model : the instantaneous current of particles with angle θ between two neighboring sites x and $x + e_i$ can be written

$$j_{x, x+e_i}^\theta = \mathbb{1}_{\{\theta_x = \theta\}} \eta_x (1 - \eta_{x+e_i}) - \mathbb{1}_{\{\theta_{x+e_i} = \theta\}} \eta_{x+e_i} (1 - \eta_x),$$

which is not a discrete gradient. One also has to deal with the loss of ergodicity at high densities, and with the asymmetry affecting the displacement of each particle, which drives the system out-of-equilibrium, and complicates the non-gradient method. Finally, the non-linearity of the limiting equation also induces several difficulties throughout the proof.

Model extensions. — Several design choices for the model have been made either to simplify the notations, or to be coherent with the collective dynamics motivations. However, we present now some of the possible changes for which our proof still holds with minimal adaptations.

- The model can easily be adapted to dimensions $d \geq 2$. The dimension 1, however, exhibits very different behavior, since neighboring particles with opposite drifts have pathological behavior and freeze the system.
- The nearest neighbor jumps dynamics can be replaced by one with symmetric transition function $p(\cdot)$. This involves minor adjustments of the limiting equation, as solved by Quastel [35].
- The drift functions can be replaced by any bounded function, and can also involve a spatial dependence, as soon as $\lambda_i(u, \theta)$ is a smooth function of the space variable u .
- We chose for our alignment dynamics a jump process, however analogous results would hold for diffusive alignment. The jump rates can also be changed to any local and bounded rates.

1.6. Structure of the article. — Section 2 is dedicated to the full description of the model, to introducing the main notations, and the proper formulation of the hydrodynamic limit for the Active Exclusion Process.

Section 3 is composed of three distinct parts. In 3.1 we characterize local equilibrium for our process by introducing the set $\mathcal{M}_1(\mathbb{S})$ of parameters for the grand canonical measures of our process. We also give a topological setup for $\mathcal{M}_1(\mathbb{S})$, for which some elementary properties are given in Appendix B. In Section 3.2, we prove using classical tools that the entropy of the measure of our process with respect to a reference product measure is of order N^2 . The last part 3.3 of this Section tackles the problem of irreducibility, which is specific to our model and is one of its major difficulties. The main result there is that on a microscopic scale, large local clusters are seldom completely full, which is necessary to ensure irreducibility on a microscopic level.

Section 4 proves a law of large numbers for our process. The Replacement Lemma stated in Section 4.1 relies on the usual one block (Section 4.3) and two blocks (Section 4.4) estimates. However, even though we use the classical strategy to prove both estimates, some technical adaptations are necessary to account for the specificities of our model.

Section 5 acts as a preliminary to the non-gradient method. The two main results of this section are the spectral gap of the symmetric generator on a specific class of functions (Section 5.2), whose proof's strategy is due to Quastel [35], and the comparison of the AEP's measure to that of an equilibrium process without drift nor alignment (Section 5.3). We also prove there, adapting the classical methods, a compactness result for the sequence of measures of our process, (Section 5.4) as well as an energy estimate (Section 5.5) necessary for the non-gradient method.

The non-gradient estimates are obtained in Section 6. It is composed of a large number of intermediate results which we do not describe here. The use of the non-gradient method to the AEP, however, requires to overcome several issues specific to our model. One specific difficulty is solved in Section 6.3, where we estimate the contributions of microscopic full clusters. In Sections 6.8 and 6.9, we prove that for our well chosen diffusion and conductivity coefficients, the total displacement currents can be replaced by the sum of a gradient quantity and the drift term. For the sake of clarity, we use to do so the modern formalism for hydrodynamic limits as presented in [27] rather than the one used in [35].

All these results come together in Section 7, where we conclude the proof of the hydrodynamic limit for our process. Some more specific work is necessary in order to perform the second integration by parts, due to the delicate shape of the diffusive part of our limiting differential equation.

2. Notations and Main theorem

We describe an interacting particle system, where a particle follows an exclusion dynamics with a weak bias depending on an angle associated to this particle. At the same time, each particle updates its angle according to the angles of the neighboring particle. We study the macroscopic behavior of the corresponding 2-dimensional system with a periodic boundary condition.

2.1. Main notations and introduction of the Markov generator. — A configuration of the system is made of two parts. The first one is the set of occupied sites, and the second the preferred direction of the particles. More precisely, on the two dimensional discrete set

$$\mathbb{T}_N^2 = \{1, \dots, N\}^2$$

with *periodic boundary conditions*, we define the occupation configuration $\eta = (\eta_x)_{x \in \mathbb{T}_N^2} \in \{0, 1\}^{\mathbb{T}_N^2}$ which determines the occupied sites of the domain. We allow at most one particle per site, and η_x represents whether the site $x \in \mathbb{T}_N^2$ is occupied ($\eta_x = 1$) or empty ($\eta_x = 0$). For any *occupied* site $x \in \mathbb{T}_N^2$, we also introduce $\theta_x \in [0, 2\pi[$ the angle of the particle at x , which represents the mean direction of its velocity in the plane. We will denote by

$$\mathbb{S} = [0, 2\pi[,$$

the *periodic* set of possible angles. When the site x is unoccupied, the angle of the site is set to $\theta_x = 0$ by default.

Definition 2.1 (Configurations, cylinder & angle-blind functions)

For any site $x \in \mathbb{T}_N^2$, we denote by $\hat{\eta}_x$ the pair (η_x, θ_x) , and by $\hat{\eta} = (\hat{\eta}_x)_{x \in \mathbb{T}_N^2}$ the complete configuration. The set of all configurations will be denoted by

$$\Sigma_N = \left\{ (\eta_x, \theta_x)_{x \in \mathbb{T}_N^2} \in (\{0, 1\} \times \mathbb{S})^{\mathbb{T}_N^2} \mid \theta_x = 0 \text{ if } \eta_x = 0 \right\}.$$

We will call *cylinder function* any function f depending on a finite set of vertices $B_f \subset \mathbb{T}_N^2$, and C^1 w.r.t. each θ_x , for any $x \in B_f$. The set of cylinder functions on the torus will be denoted \mathcal{C} . Note that a cylinder function is always bounded.

We will call *angle-blind function* any function depending on $\hat{\eta}$ only through the occupation variables $\eta = (\eta_x)_{x \in \mathbb{T}_N^2}$. In other words, an angle-blind function depends on the position of particles, but not on their angles. We denote by $\mathcal{S} \subset \mathcal{C}$ the set of cylinder angle-blind functions.

We will use on the discrete torus the notations $|\cdot|$ for the norm $|x| = \sum_i |x_i|$.

Let T be a fixed time, we now introduce the process $(\hat{\eta}(t))_{t \in [0, T]}$ on Σ_N which is central to our work. Our goal is to combine the two dynamics present in Viscek's model [50]: The first part of the process is the *displacement dynamic*, which rules the *motion of each particle*. The moves occur at rates biased by the angle of the particle, and follows the exclusion rule. Thus, for $\delta = \pm 1$ the rate $p_x(\delta e_i, \hat{\eta})$ at which the particle at site x moves to an *empty site* $x + \delta e_i$, letting $e_1 = (1, 0)$, $e_2 = (0, 1)$ be the canonical basis in \mathbb{Z}^2 , is given by

$$p_x(\delta e_i, \hat{\eta}) = \begin{cases} 1 + \lambda \delta \cos(\theta_x)/N & \text{if } i = 1 \\ 1 + \lambda \delta \sin(\theta_x)/N & \text{if } i = 2 \end{cases},$$

where $\lambda \in \mathbb{R}$ is a positive parameter which characterizes the strength of the asymmetry. For convenience, we will denote throughout the proof

$$(2.1) \quad \lambda_1(\theta) = \lambda \cos(\theta) \quad \text{and} \quad \lambda_2(\theta) = \lambda \sin(\theta).$$

The previous rates indicate that the motion of each particle is biased in a direction given by its angle. The motion follows an exclusion rule, which means that if the target site is already occupied, the jump is canceled. Note that in order to see the symmetric and asymmetric contributions in the diffusive scaling limit, we must indeed choose an asymmetry scaling as $1/N$. Furthermore, in order for the system to exhibit a macroscopic behavior in the limit $N \rightarrow \infty$, we need to accelerate the whole exclusion process by N^2 , as discussed further later on.

The second part of the dynamic is the spin update process, which will be from now on referred to as the *Glauber part of the dynamic*. A wide variety of choices is available among discontinuous angle dynamics (jump process) and continuous angle dynamics (diffusion). We choose here a Glauber jump process with inverse temperature $\beta \geq 0$ described more precisely below.

The generator of the complete Markov process is given by

$$(2.2) \quad L_N = N^2 \mathcal{L}^D + \mathcal{L}^G,$$

where

$$(2.3) \quad \mathcal{L}^D = \mathcal{L} + \frac{1}{N} \mathcal{L}^{\text{WA}}$$

is the generator for the displacement process (which two parts are defined below) and \mathcal{L}^G is the generator of the Glauber dynamics. The process can therefore be decomposed into three distinct parts, with different scalings in N , namely the symmetric part of the motion, with generator $N^2 \mathcal{L}$, the asymmetric contribution to the displacement generator $N \mathcal{L}^{\text{WA}}$ with parameter $\lambda \geq 0$, and finally the spin-alignment with generator \mathcal{L}^G and inverse temperature $\beta \geq 0$, which are defined for any function $f : \Sigma_N \rightarrow \mathbb{R}$, by

$$(2.4) \quad \begin{aligned} \mathcal{L}f(\hat{\eta}) &= \sum_{x \in \mathbb{T}_N^2} \sum_{|z|=1} \eta_x (1 - \eta_{x+z}) (f(\hat{\eta}^{x, x+z}) - f(\hat{\eta})), \\ \mathcal{L}^{\text{WA}}f(\hat{\eta}) &= \sum_{x \in \mathbb{T}_N^2} \sum_{i=1,2, \delta=\pm 1} \delta \lambda_i(\theta_x) \eta_x (1 - \eta_{x+\delta e_i}) (f(\hat{\eta}^{x, x+\delta e_i}) - f(\hat{\eta})), \end{aligned}$$

$$(2.5) \quad \mathcal{L}^G f(\hat{\eta}) = \sum_{x \in \mathbb{T}_N^2} \eta_x \int_{\mathbb{S}} c_{x,\beta}(\theta, \hat{\eta}) (f(\hat{\eta}^{x,\theta}) - f(\hat{\eta})) d\theta.$$

Note that \mathcal{L}^{VA} alone is not a Markov generator due to the negative jump rates, but considering the complete displacement generator $\mathcal{L} + N^{-1}\mathcal{L}^{\text{VA}}$ solves this issue. In the expressions above, we denoted $\hat{\eta}^{x,x+z}$ the configuration where the occupation variables $\hat{\eta}_x$ and $\hat{\eta}_{x+z}$ at sites x and $x+z$ have been exchanged in $\hat{\eta}$

$$\hat{\eta}_y^{x,x+z} = \begin{cases} \hat{\eta}_{x+z} & \text{if } y = x, \\ \hat{\eta}_x & \text{if } y = x+z, \\ \hat{\eta}_y & \text{otherwise,} \end{cases}$$

and $\hat{\eta}^{x,\theta}$ the configuration where the angle θ_x in $\hat{\eta}$ has been updated to θ

$$\hat{\eta}_y^{x,\theta} = \begin{cases} (\eta_y, \theta) & \text{if } y = x, \\ \hat{\eta}_y & \text{otherwise.} \end{cases}$$

We choose for $c_{x,\beta}$ the jump rates

$$c_{x,\beta}(\theta, \hat{\eta}) = \frac{\exp\left(\beta \sum_{y \sim x} \eta_y \cos(\theta_y - \theta)\right)}{\int_{\mathbb{S}} \exp\left(\beta \sum_{y \sim x} \eta_y \cos(\theta_y - \theta')\right) d\theta'},$$

which tend to align the angle in x with the neighboring particles according to XY-like jump rates with inverse temperature β . Note that by construction, for any non-negative β , $\int_{\mathbb{S}} c_{x,\beta}(\theta, \hat{\eta}) d\theta = 1$ and that the jump rates $c_{x,\beta}(\theta, \hat{\eta})$ can be uniformly bounded from above and below by two positive constants depending only on β .

The process defined above will be referred to as Active Exclusion Process, shortened as AEP.

2.2. Measures associated to a smooth profile and definition of the Markov process. — We now introduce the important measures and macroscopic quantities appearing in the expression of the hydrodynamic limit. Let us denote by \mathbb{T}^2 the periodic domain in dimension 2,

$$\mathbb{T}^2 = [0, 1]^2.$$

Definition 2.2 (Density profile on \mathbb{T}^2). — We call *density profile on the torus* any function

$$\hat{\rho} : (u, d\theta) \mapsto \hat{\rho}(u, d\theta)$$

such that

- for any $u \in \mathbb{T}^2$, $\hat{\rho}(u, \cdot)$ is a positive measure on \mathbb{S} .
- For any $u \in \mathbb{T}^2$, the total mass $\rho(u)$ of $\hat{\rho}(u, \cdot)$ is in $[0, 1]$.

For any density profile $\hat{\rho}$ on the torus, $\hat{\rho}(u, d\theta)$ represents the local density in u of particles with angle in $d\theta$, and ρ represents the total density of particles in u .

Definition 2.3 (Measure associated to a density profile on the torus)

To any density profile on the torus $\hat{\rho}$, we associate $\mu_{\hat{\rho}}^N$, the product measure on Σ_N such that the law of $\hat{\eta}_x$ is given for any $x \in \mathbb{T}_N^2$ by

$$(2.6) \quad \begin{cases} \mu_{\hat{\rho}}^N(\eta_x = 0) = 1 - \rho(x/N), \\ \mu_{\hat{\rho}}^N(\eta_x = 1) = \rho(x/N), \\ \mu_{\hat{\rho}}^N(\theta_x \in d\theta \mid \eta_x = 1) = \hat{\rho}(x/N, d\theta) / \rho(x/N), \end{cases}$$

and such that $\hat{\eta}_x, \hat{\eta}_y$ are independent as soon as $x \neq y$.

In other words, under $\mu_{\hat{\rho}}^N$ an occupied site in $x \in \mathbb{T}_N^2$ has probability $\rho(x/N) = \int_{[0; 2\pi[} \hat{\rho}(x/N, \theta) d\theta$, the angle of an empty site is 0, and the angle of an occupied site x is distributed according to $\hat{\rho}(x/N, \cdot)$.

Definition of the process. — Let $\Sigma_N^{[0,T]} := D([0,T], \Sigma_N)$ denote the space of right-continuous and left-limited (càdlàg) trajectories $\hat{\eta} : t \rightarrow \hat{\eta}(t)$. We will denote by $\hat{\eta}^{[0,T]}$ the elements of $\Sigma_N^{[0,T]}$. For any initial measure ν on \mathbb{T}_N^2 , any non-negative drift $\lambda \geq 0$, and any $\beta \geq 0$, we write $\mathbb{P}_\nu^{\lambda,\beta}$ for the measure on $\Sigma_N^{[0,T]}$ starting from the measure $\hat{\eta}(0) \sim \nu$, and driven by the Markov generator $L_N = L_N(\lambda, \beta)$ described earlier. We denote by $\mathbb{E}_\nu^{\lambda,\beta}$ the expectation w.r.t. $\mathbb{P}_\nu^{\lambda,\beta}$. In the case $\lambda = \beta = 0$, there is no drift and the angle of the particles are chosen uniformly in \mathbb{S} . In this case, we will omit λ and β in the previous notation and write \mathbb{P}_ν for the measure and \mathbb{E}_ν for the corresponding expectation. Let us now define the initial measure from which we start our process. Let $\hat{\zeta} \in C(\mathbb{T}^2 \times \mathbb{S})$ be a continuous function on $\mathbb{T}^2 \times \mathbb{S}$, which will define the initial macroscopic state of our particle system. We assume that for any $u \in \mathbb{T}^2$,

$$(2.7) \quad 0 < \zeta(u) := \int_{\mathbb{S}} \hat{\zeta}(u, \theta) d\theta < 1,$$

i.e. that the initial density is less than one initially everywhere on \mathbb{T}^2 , as well as for any $\theta \in \mathbb{S}$,

$$(2.8) \quad \hat{\zeta}(u, \theta) > 0.$$

We can now define the initial density profile on the torus $\hat{\rho}_0$ by

$$(2.9) \quad \hat{\rho}_0(u, d\theta) = \hat{\zeta}(u, \theta) d\theta.$$

We start our process from a random configuration

$$(2.10) \quad \hat{\eta}(0) \sim \mu^N := \mu_{\hat{\rho}_0}^N$$

fitting the profile $\hat{\rho}_0$, according to Definition 2.3. Given this initial configuration, we define the Markov process $\hat{\eta}^{[0,T]} \in \Sigma_N^{[0,T]} \sim \mathbb{P}_{\mu^N}^{\lambda,\beta}$ driven by the generator L_N introduced in (2.2), starting from μ^N .

Topological setup. — Let us denote by $\mathcal{M}(\mathbb{T}^2 \times \mathbb{S})$ the space of positive measures on the continuous configuration space, and

$$(2.11) \quad \mathcal{M}^{[0,T]} = D([0, T] \times \mathcal{M}(\mathbb{T}^2 \times \mathbb{S}))$$

the space of right-continuous and left-limited trajectories of measures on $\mathbb{T}^2 \times \mathbb{S}$. Each trajectory $\hat{\eta}^{[0,T]}$ of the process admits a natural image in $\mathcal{M}^{[0,T]}$ through its empirical measure

$$\pi_t^N \left(\hat{\eta}^{[0,T]} \right) = \frac{1}{N^2} \sum_{x \in \mathbb{T}_N^2} \eta_x(t) \delta_{(x/N, \theta_x(t))}.$$

We endow $\mathcal{M}^{[0,T]}$ with Skorohod's metric defined in Appendix A.1, and the set $\mathcal{P}(\mathcal{M}^{[0,T]})$ of probability measures on $\mathcal{M}^{[0,T]}$ with the weak topology. We now define $Q^N \in \mathcal{P}(\mathcal{M}^{[0,T]})$ the law of the empirical measure $\pi_t^N \left(\hat{\eta}^{[0,T]} \right)$ of our process $\hat{\eta}^{[0,T]} \sim \mathbb{P}_{\mu^N}^{\lambda,\beta}$.

2.3. Hydrodynamic limit. —

Self-diffusion coefficient. — The hydrodynamic limit for our system involves the diffusion coefficient of a tagged particle for symmetric simple exclusion process (SSEP) in dimension 2. Let us briefly remind here its definition. On \mathbb{Z}^2 , consider a infinite equilibrium SSEP with density ρ and a tagged particle placed at time 0 at the origin. We keep track of the position $X(t) = (X_1(t), X_2(t)) \in \mathbb{Z}^2$ of the tracer particle at time t and denote by Q_ρ^* the measure of the process starting with measure μ_ρ on $\mathbb{Z}^2 \setminus \{0\}$ and a particle at the origin.

Definition 2.4 (Self-Diffusion coefficient). — The self-diffusion coefficient $d_s(\rho)$ is defined as the limiting variance of the tagged particle

$$d_s(\rho) := \lim_{t \rightarrow \infty} \frac{\mathbb{E}_{Q_\rho^*}(X_1(t)^2)}{t}.$$

From a mathematical standpoint, this result is a consequence of [28]. A variational formula for d_s has been obtained later by Spohn [44]. The regularity of the self-diffusion coefficient was first investigated in [49], where Varadhan shows that the self-diffusion matrix is Lipschitz-continuous in any dimension $d \geq 3$. Landim, Olla and Varadhan since then proved in [30] that the self-diffusion coefficient is in fact of class C^∞ in any dimension. The matter of self-diffusion being treated in full detail in Section 6, p199-240 of [29], we do not develop it further here. We summarize in appendix A.2 some useful results on the matter.

Diffusion, conductivity and alignment coefficients. — Given a density profile on the torus $\widehat{\rho}(u, d\theta)$, recall from Definition 2.2 that $\rho(u) = \int_{\mathbb{S}} \widehat{\rho}(u, d\theta)$ is the local density. We introduce the coefficients

$$(2.12) \quad \mathfrak{d}(\widehat{\rho}, \rho)(u, d\theta) = \frac{\widehat{\rho}(u, d\theta)}{\rho(u)} (1 - d_s(\rho(u))), \quad \mathfrak{s}(\widehat{\rho}, \rho)(u, d\theta) = (1 - \rho(u) - d_s(\rho(u))) \frac{\widehat{\rho}(u, d\theta)}{\rho(u)},$$

where d_s is the self-diffusion coefficient described in the previous paragraph. We also define $\vec{\Omega}(\widehat{\rho})$, the vector representing the mean direction of the asymmetry under $\widehat{\rho}$,

$$\vec{\Omega}(\widehat{\rho})(u) = \int_{\mathbb{S}} \widehat{\rho}(u, d\theta') \begin{pmatrix} \cos(\theta') \\ \sin(\theta') \end{pmatrix}.$$

as well as $\Gamma(\widehat{\rho})$ the local creation rate of particles with angle θ

$$\Gamma(\widehat{\rho})(u, d\theta) = \widehat{\rho}(u, d\theta) \left[\mathbb{E}_{\widehat{\rho}(u, \cdot)}(c_{x, \beta}(\theta, \widehat{\eta})) - 1 \right],$$

where under $\mathbb{E}_{\widehat{\rho}(u, \cdot)}$, each site is occupied independently w.p. $\rho(u)$, and the angle of each particle is chosen according to the probability law $\widehat{\rho}(u, \cdot)/\rho(u)$. The exact definition of $\mathbb{E}_{\widehat{\rho}(u, \cdot)}$ is given just below in Definition 3.4.

Weak solutions of the PDE. — In order to state the hydrodynamic limit of our system, we need to describe the notion of weak solutions in our case, which is quite delicate because of the angles.

Definition 2.5 (Weak solution of the differential equation). — Any trajectory of measures $(\pi_t)_{t \in [0, T]} \in \mathcal{M}^{[0, T]}$ will be called a *weak solution of the partial differential equation*

$$(2.13) \quad \partial_t \widehat{\rho}_t = \nabla \cdot [\mathfrak{d}(\widehat{\rho}_t, \rho_t) \nabla \rho_t + d_s(\rho_t) \nabla \widehat{\rho}_t] + 2\lambda \nabla \cdot \left[\mathfrak{s}(\widehat{\rho}_t, \rho_t) \vec{\Omega}_t + \widehat{\rho}_t d_s(\rho_t) \begin{pmatrix} \cos(\theta) \\ \sin(\theta) \end{pmatrix} \right] + \Gamma(\widehat{\rho}_t) \quad \text{and} \quad \widehat{\rho}_0 = \widehat{\zeta},$$

if the following four conditions are satisfied :

i) $\pi_0(du, d\theta) = \widehat{\zeta}(u, \theta) du d\theta$

ii) for any fixed time $t \in [0, T]$, the measure π_t is absolutely continuous in space w.r.t. the Lebesgue measure on \mathbb{T}^2 , i.e. there exists a density profile on the torus (in the sense of Definition 2.2) $\widehat{\rho}_t$, such that

$$\pi_t(du, d\theta) = \widehat{\rho}_t(u, d\theta) du.$$

iii) Letting $\rho_t(u) = \int_{\mathbb{S}} \widehat{\rho}_t(u, d\theta)$, ρ is in $H^1([0, T] \times \mathbb{T}^2)$, i.e. there exists a family of functions $\partial_{u_i} \rho_t$ in $L^2([0, T] \times \mathbb{T}^2)$ such that for any smooth function $G \in C^{0,1}([0, T] \times \mathbb{T}^2)$,

$$\int_{[0, T] \times \mathbb{T}^2} \rho_t(u) \partial_{u_i} G_t(u) dt du = - \int_{[0, T] \times \mathbb{T}^2} G_t(u) \partial_{u_i} \rho_t(u) dt du$$

iv) For any function $H \in C^{1,2,1}([0, T] \times \mathbb{T}^2 \times \mathbb{S})$,

$$\begin{aligned} < \pi_T, H_T > - < \pi_0, H_0 > = \int_0^T < \pi_t, \partial_t H_t > dt \\ & - \int_0^T \int_{\mathbb{T}^2 \times \mathbb{S}} \left[\sum_{i=1}^2 \left(\partial_{u_i} H_t(u, \theta) [\mathfrak{d}(\widehat{\rho}_t, \rho_t) - d'_s(\rho_t) \widehat{\rho}_t](u, d\theta) \partial_{u_i} \rho_t(u) - \partial_{u_i}^2 H_t(u, \theta) d_s(\rho_t) \widehat{\rho}_t(u, d\theta) \right. \right. \\ & \quad \left. \left. + \partial_{u_i} H_t(u, \theta) \left[2\lambda \mathfrak{s}(\widehat{\rho}_t, \rho_t) \vec{\Omega}(\widehat{\rho}_t) + 2\lambda_i(\theta) d_s(\rho_t) \widehat{\rho}_t \right](u, d\theta) \right] - H_t(u, \theta) \Gamma(\widehat{\rho}_t)(u, d\theta) \right] du dt, \end{aligned}$$

where the various coefficients are those defined just before, and the functions λ_i are defined in (2.1).

Note that in this Definition, the only quantity required to be in H^1 is the total density ρ : indeed, the term $d_s(\rho_t)\nabla\widehat{\rho}_t$ is rewritten as

$$d_s(\rho_t)\nabla\widehat{\rho}_t = \nabla(d_s(\rho_t)\widehat{\rho}_t) - d'_s(\rho_t)\widehat{\rho}_t\nabla\rho_t,$$

and the first term in the right-hand side above allows another derivative to be applied to the test function H , whereas the second term only involves the derivative of ρ as wanted.

We are now ready to state our main theorem :

Theorem 2.6. — *The sequence $(Q^N)_{N \in \mathbb{N}}$ defined at the end of Section 3.1 is weakly relatively compact, and any of its limit points Q^* is concentrated on trajectories $(\pi_t)_{t \in [0, T]}$ which are weak solution of equation (2.13) in the sense of Definition 2.5.*

Remark 2.7 (Uniqueness of the weak solutions of equation (2.13))

One of the reasons for our weak formulation of the scaling limit of the Active Exclusion Process is the lack of proof for the uniqueness of weak solutions of equation (2.13). Several features of equation (2.13) make the uniqueness difficult to obtain : First, our differential equation does not really take the form of an autonomous differential equation : the variation of $\widehat{\rho}_t(u, \theta)$ involves the total density ρ , therefore the differential equation is in fact a differential system operating on the vector $(\widehat{\rho}_t(u, \theta), \rho_t(u))$. Cross-diffusive systems can exhibit pathological behavior when the diffusion matrix has negative eigenvalues, but in our case, both eigenvalues are non-negative and this issue does not appear.

However, although cross-diffusive systems are quite well understood (cf. for example [1]), our equation involves a drift term which factors in via the vector $\vec{\Omega}(\widehat{\rho}_t)$ the whole profile $(\widehat{\rho}_t(u, \theta))_{\theta \in [0, 2\pi]}$. One of the consequences of this drift term, which is the main obstacle to prove uniqueness, is that even the uniqueness of the total density $\rho_t(u)$ is not well established. Indeed, contrary to [35], in which the total density evolves according to the heat equation, the total density in our case is driven by the Burgers-like equation

$$\partial_t \rho_t(u) = \Delta \rho_t(u) + \nabla \cdot (m_t(u)(1 - \rho_t(u)))$$

where m is a quantity which depends on the whole profile $(\widehat{\rho}_t(u, \theta))_{\theta \in [0, 2\pi]}$, and for which uniqueness is hard to obtain.

2.4. Instantaneous currents. — In order to get a grasp on the delicate points of the proof, and to introduce the particle currents on which rely the proof of Theorem 2.6, we need a few more notations.

Throughout the proof, for any function $\varphi : \Sigma_N \rightarrow \mathbb{R}$ and $x \in \mathbb{T}_N^2$, we will denote by $\tau_x \varphi : \Sigma_N \rightarrow \mathbb{R}$ the function which associates to a configuration $\widehat{\eta}$ the value $\varphi(\tau_{-x}\widehat{\eta})$, where $\tau_{-x}\widehat{\eta}$ is the translation of the configuration $\widehat{\eta}$ by a vector $-x$.

For any function

$$H : [0, T] \times \mathbb{T}^2 \times \mathbb{S} \rightarrow \mathbb{R} \\ (t, u, \theta) \mapsto H_t(u, \theta) ,$$

and any measure π on $\mathbb{T}^2 \times \mathbb{S}$, let us denote

$$\langle \pi, H_t \rangle = \int_{\mathbb{T}^2 \times \mathbb{S}} H_t(u, \theta) d\pi(u, \theta)$$

the integral of H with respect to the measure π . We consider the martingale $M_t^{H, N}$

$$(2.14) \quad M_t^{H, N} = \langle \pi_t^N, H_t \rangle - \langle \pi_0^N, H_0 \rangle - \int_0^t (\partial_s + L_N) \langle \pi_s^N, H_s \rangle ds,$$

where π_s^N is the *empirical measure of the process*

$$\pi_s^N = \frac{1}{N^2} \sum_{x \in \mathbb{T}_N^2} \eta_x(s) \delta_{(x/N, \theta_x(s))}.$$

It is well known that the quadratic variation of this martingale can be explicitly computed, and is of order $O(N^{-2})$ (cf. Appendix 1.5 of [27]) and therefore vanishes as N goes to infinity. The martingale

thus vanishes uniformly in time, in probability under $\mathbb{P}_{\mu_N}^{\lambda, \beta}$. Now let us recall that

$$L_N = N^2 (\mathcal{L} + N^{-1} \mathcal{L}^{\text{WA}}) + \mathcal{L}^{\text{G}},$$

and that τ_x represents the translation of a function by x . Assume that the function H takes the form

$$(2.15) \quad H_s(x, \theta) = G_s(x) \omega(\theta),$$

where G and ω are respectively functions on $[0, T] \times \mathbb{T}^2$ and \mathbb{S} . From now on, for any function $\Phi : \mathbb{S} \rightarrow \mathbb{R}$, any configuration $\hat{\eta}$ and any $x \in \mathbb{T}_N^2$ we will shorten

$$\eta_x^\Phi = \Phi(\theta_x) \eta_x.$$

With these notations, we can write the generator part of the integral term of (2.14) as

$$(2.16) \quad \int_0^T L_N \langle \pi_s^N, H_s \rangle ds = \frac{1}{N^2} \int_0^T \sum_{x \in \mathbb{T}_N^2} G_s(x/N) (N^2 [\mathcal{L} \eta_x^\omega(s) + N^{-1} \mathcal{L}^{\text{WA}} \eta_x^\omega(s)] + \mathcal{L}^{\text{G}} \eta_x^\omega(s)) ds.$$

Let us introduce accordingly the three instantaneous currents in our active exclusion process (AEP).

Definition 2.8. — Given a site $x \in \mathbb{T}_N^2$, each part of the generator L_N 's action over η_x^ω can be written

$$(2.17) \quad \mathcal{L} \eta_x^\omega = \sum_{i=1}^2 (\tau_{x-e_i} j_i^\omega - \tau_x j_i^\omega) \quad \text{with} \quad j_i^\omega(\hat{\eta}) = \eta_0^\omega (1 - \eta_{e_i}) - \eta_{e_i}^\omega (1 - \eta_0),$$

$$(2.18) \quad \mathcal{L}^{\text{WA}} \eta_x^\omega = \sum_{i=1}^2 (\tau_{x-e_i} r_i^\omega - \tau_x r_i^\omega) \quad \text{with} \quad r_i^\omega(\hat{\eta}) = \eta_0^{\omega \lambda_i} (1 - \eta_{e_1}) + \eta_{e_i}^{\omega \lambda_i} (1 - \eta_0),$$

and

$$(2.19) \quad \mathcal{L}^{\text{G}} \eta_x^\omega = \tau_x \gamma^\omega \quad \text{with} \quad \gamma^\omega(\hat{\eta}) = \int_{\mathbb{S}} c_{0, \beta}(\theta, \hat{\eta}) (\omega(\theta) - \omega(\theta_0)) d\theta.$$

For $e_i \in \{1, i\}$ we will at times write $j_{x, x+e_i}^\omega = \tau_x j_i^\omega$ (resp. $r_{x, x+e_i}^\omega = \tau_x r_i^\omega$), which is interpreted as the *instantaneous current with intensity ω in the direction i* along the edge $(x, x+e_i)$ of the symmetric (resp. weakly asymmetric) part of the process. The last quantity $\tau_x \gamma^\omega$ is the *local alignment rate*.

When considering the time process $(\hat{\eta}(t))_{t \in [0, T]}$ we will, for the sake of concision, write $j_i^\omega(t)$ for $j_i^\omega(\hat{\eta}(t))$, and in the same fashion $r_i^\omega(t)$ instead of $r_i^\omega(\hat{\eta}(t))$, and $\gamma^\omega(t)$ instead of $\gamma^\omega(\hat{\eta}(t))$.

Finally, in the case where $\omega \equiv 1$, we will denote by

$$j_i := j_i^1 = \eta_0 - \eta_{e_i}.$$

Performing a first integration by parts on the exclusion part of the right-hand side of (2.16), we obtain thanks to equations (2.17), (2.18) and (2.19)

$$(2.20) \quad \int_0^T L_N \langle \pi_s^N, H_s \rangle ds = \frac{1}{N^2} \int_0^T \sum_{x \in \mathbb{T}_N^2} \tau_x \left[\sum_{i=1}^2 (N j_i^\omega(s) + r_i^\omega(s)) \partial_{u_i, N} G_s(x/N) + G_s(x/N) \gamma^\omega(s) \right] ds,$$

where $\partial_{u_i, N}$ is the discrete partial derivative

$$(\partial_{u_i, N} G)(x/N) = N [G((x + e_i)/N) - G(x/N)].$$

The spatial averaging is of great importance throughout the proof of the hydrodynamic limit, we need some convenient notation to represent this operation. For any site $x \in \mathbb{T}_N^2$ and any integer l , we denote by

$$B_l(x) = \{ y \in \mathbb{T}_N^2, \quad \|y - x\|_\infty \leq l \}$$

the box of side length $2l + 1$ around x . In the case where $x = 0$ is the origin, we will simply write $B_l := B_l(0)$. For any finite subset $B \subset \mathbb{T}_N^2$, we will denote $|B|$ the number of sites in B . Given φ a function on Σ_N , we denote by

$$(2.21) \quad \langle \varphi \rangle_x^l = \frac{1}{|B_l(x)|} \sum_{y \in B_l(x)} \tau_y \varphi$$

the average of the function φ over $B_l(x)$. In the case where $\varphi(\hat{\eta}) = \eta_0^\omega$, (resp. $\varphi(\hat{\eta}) = \eta_0$), we will write $\tau_x \rho_l^\omega = \langle \varphi \rangle_x^l$ (resp. $\tau_x \rho_l$) for the empirical average of η^ω (resp. η) over the box centered in x of side length $2l + 1$.

We will also denote for any integer l by $\hat{\rho}_l$ the empirical angle measure defined by

$$(2.22) \quad \hat{\rho}_l = \frac{1}{|B_l|} \sum_{x \in B_l} \eta_x \delta_{\theta_x} \in \mathcal{M}_1(\mathbb{S}),$$

where $\mathcal{M}_1(\mathbb{S})$ is the set of non-negative measures on \mathbb{S} with total mass in $[0, 1]$ (cf. Definition 3.1 below).

Finally, to simplify notations throughout the proof, we will write εN instead of the integer part $\lfloor \varepsilon N \rfloor$.

3. Canonical measures, entropy and irreducibility

3.1. Definition of the canonical measures. — Due to the presence of angles, the canonical product measures for the AEP are not parameterized by the local density $\alpha \in [0, 1]$ like the SSEP, but rather by a measure $\hat{\alpha}$ on $[0, 2\pi]$ whose total mass $\int_{\mathbb{S}} \hat{\alpha}(d\theta)$ is the local density.

Definition 3.1 (Angle profile). — Recall that \mathbb{T}^2 is the 2-dimensional continuous torus $(\mathbb{R}/\mathbb{Z})^2$, and let $\mathcal{M}(\mathbb{S})$ be the set of non-negative measures on \mathbb{S} . We will call *angle measure* any measure $\hat{\alpha} \in \mathcal{M}(\mathbb{S})$ with total mass $\alpha := \int_{\mathbb{S}} \hat{\alpha}(d\theta) \leq 1$. We denote by

$$(3.1) \quad \mathcal{M}_1(\mathbb{S}) = \{ \hat{\alpha} \in \mathcal{M}(\mathbb{S}), \quad \alpha \in [0, 1] \},$$

the set of angle measures.

We now define a topological setup on $\mathcal{M}_1(\mathbb{S})$. Let us consider on $C^1(\mathbb{S})$, the set of differentiable functions, the norm $\|g\|^* = \max(\|g\|_\infty, \|g'\|_\infty)$, and let B^* be the unit ball in $(C^1(\mathbb{S}), \|\cdot\|^*)$.

Definition 3.2. — We endow $\mathcal{M}(\mathbb{S})$, the vector space of finite mass signed measures on \mathbb{S} , with the norm

$$\| \hat{\alpha} \| = \sup_{g \in B^*} \left\{ \int_{\mathbb{S}} g(\theta) d\hat{\alpha}(\theta) \right\},$$

and with the corresponding distance

$$d(\hat{\alpha}, \hat{\alpha}') := \sup_{g \in B^*} \left\{ \int_{\mathbb{S}} g(\theta) d\hat{\alpha}(\theta) - \int_{\mathbb{S}} g(\theta) d\hat{\alpha}'(\theta) \right\}.$$

We then endow $\mathcal{M}_1(\mathbb{S})$ with the topology induced by $\| \cdot \|$. This distance is in fact a generalization of the Wasserstein distance to measures which are not probability measures.

Remark 3.3. — This topology is the simplest to verify that

- for any cylinder function ψ , the application $\hat{\alpha} \mapsto \mathbb{E}_{\hat{\alpha}}(\psi)$ is Lipschitz-continuous (cf. Proposition B.2).
- any continuous profile $\hat{\alpha}$ is the limit of combinations of Dirac measures.
- if $\theta_k \rightarrow \theta$, then $\| \delta_{\theta_k} - \delta_\theta \| \rightarrow 0$.

It is therefore the natural choice for our problem. For example, the last condition would not be verified by the weak topology on \mathbb{S} , since for any $\theta \neq \theta'$, one can find a continuous function g such that $g(\theta) = 0$ and $g(\theta') = 1$.

We now introduce the canonical measures of our process, which are translation-invariant particular cases of measures associated to a density profile, introduced in Definition 2.3.

Definition 3.4 (Grand canonical measures). — Consider a *translation invariant* density profile on the torus $\widehat{\rho}$, i.e. such that for any $u \in \mathbb{T}^2$,

$$\widehat{\rho}(u, d\theta) = \widehat{\alpha}(d\theta)$$

for some angle measure $\widehat{\alpha} \in \mathcal{M}_1(\mathbb{S})$ independent of u . We will write $\mu_{\widehat{\alpha}}$ for the product measure $\mu_{\widehat{\rho}}^N$, and $\mathbb{E}_{\widehat{\alpha}}$ will denote the corresponding expectation. This class of measures will be referred to as *grand canonical measures*. Furthermore, for any $\alpha \in [0, 1]$, the measure $\mu_{\widehat{\alpha}}$ associated with the uniform density profile on the torus

$$\widehat{\rho}(u, d\theta) \equiv \alpha d\theta / 2\pi,$$

where the angle of each particle is chosen uniformly in \mathbb{S} , will be denoted by μ_{α}^* , and the corresponding expectation will be denoted by \mathbb{E}_{α}^* .

Note that these measures are dependent on N , but due to their translation invariant nature, we will omit this dependence in our notation.

Remark 3.5. — For any density $\alpha \in [0, 1]$, the measure μ_{α}^* on Σ_N is not invariant for our dynamic, because although it is invariant for the symmetric part of the exclusion, the weakly asymmetric part (as well as the Glauber part as soon as $\beta \neq 0$) breaks this property. We will however prove in Section 3.2 that due to the scaling in N , the stationary measure of our dynamics is locally close to a product measure μ_{α}^* .

Definition 3.6 (Canonical measures). — Consider $l \in \mathbb{N}^*$ and let K be an integer bounded up by $(2l + 1)^2$ and $\Theta_K = \{\theta_1, \dots, \theta_K\}$ an ordered family of angles, we shorten by \widehat{K} the pair (K, Θ_K) . We will denote by \mathbb{K}_l the set of all possible \widehat{K} ,

$$\mathbb{K}_l = \{\widehat{K} = (K, \Theta_K), K \leq (2l + 1)^2\}.$$

Since our process is not irreducible when there is only one or less empty site (Cf Section 3.3 below), we also introduce

$$(3.2) \quad \widetilde{\mathbb{K}}_l = \{\widehat{K} \in \mathbb{K}_l, K \leq (2l + 1)^2 - 2\},$$

the set of \widehat{K} for which the exclusion process on B_l is irreducible. Furthermore, for any fixed $\widehat{K} \in \mathbb{K}_l$, we denote by

$$(3.3) \quad \Sigma_l^{\widehat{K}} = \left\{ \widehat{\eta} \in \Sigma_N, \sum_{x \in B_l} \eta_x \delta_{\theta_x} = \sum_{k=1}^K \delta_{\theta_k} \right\},$$

the set of configurations with K particles of angles Θ_K in B_l .

Let $\mu_{\alpha, l}^*$ denote the measure μ_{α}^* on B_l , for any density $\alpha \in]0, 1[$, we will denote by $\mu_{l, \widehat{K}}$ the conditioning of $\mu_{\alpha, l}^*$ to $\Sigma_l^{\widehat{K}}$, and by $\mathbb{E}_{l, \widehat{K}}$ the corresponding expectation

$$\mathbb{E}_{l, \widehat{K}}(g) = \mathbb{E}_{\alpha, l}^* \left(g \mid \widehat{\eta} \in \Sigma_l^{\widehat{K}} \right).$$

These measures will be referred to as *canonical measures of the process*.

Definition 3.7. — Fix $l \in \mathbb{N}$, we associate to any $\widehat{K} \in \mathbb{K}_l$ the angle measure

$$\widehat{\alpha}_{\widehat{K}, l} = \frac{1}{(2l + 1)^2} \sum_{k=1}^K \delta_{\theta_k}.$$

When there is no ambiguity, we will drop the dependence in l and simply write $\widehat{\alpha}_{\widehat{K}} = \widehat{\alpha}_{\widehat{K}, l}$.

Several results regarding the metric space $(\mathcal{M}_1(\mathbb{S}), \|\cdot\|)$ are stated in Appendix B : The equivalence of ensembles is briefly proved in Section B.1, the Lipschitz-continuity of the expectation w.r.t. $\mu_{\widehat{\alpha}}$ in the parameter $\widehat{\alpha}$ is proven in Section B.2, and finally, the compactness of the set $(\mathcal{M}_1(\mathbb{S}), \|\cdot\|)$ is proved in Section B.3.

3.2. Entropy production and local equilibrium. — *The proof of the replacement Lemma is based on the control of the entropy production of the process. The difficulty here is that the invariant measures of the process are not known, and the decay of the relative entropy w.r.t. these measures cannot be computed directly. Thus we consider approximations of these measures, and for a fixed non-trivial density $\alpha \in]0, 1[$, our goal is to get an estimate of the entropy of the process's time average with respect to the reference measure μ_α^* introduced in Definition 3.4.*

Let us fix $\alpha \in]0, 1[$, we are going to prove that regardless of the initial density profile, the entropy of the AEP w.r.t the measure of a process started from μ_α^* and following a symmetric simple exclusion process can be controlled by CN^2 for some constant C .

The choice of μ_α^* among the $\mu_{\alpha'}^*$, $\alpha' \in]0, 1[$ is not important, since for any different angle density $\alpha' \in]0, 1[$, the relative entropy between the two product measures μ_α^* and $\mu_{\alpha'}^*$ is of order N^2 as well.

For some cylinder function $h \in \mathcal{C}$, and some edge $a = (a_1, a_2)$, we denote by ∇_a the gradient representing the transfer of a particle from site a_1 to site a_2 under the exclusion process

$$(3.4) \quad \nabla_a f(\hat{\eta}) = \eta_{a_1} (1 - \eta_{a_2}) (f(\hat{\eta}^{a_1, a_2}) - f(\hat{\eta})).$$

We will shorten this notation in the case where $a = (0, e_j)$ by writing $\nabla_j := \nabla_{(0, e_j)}$. Before turning to the control of the entropy itself, we introduce an important quantity in the context of hydrodynamic limits.

Definition 3.8 (Dirichlet form of the symmetric dynamics). — Let h be a cylinder function, we introduce the Dirichlet form of the process

$$(3.5) \quad \mathcal{D}_{\hat{\alpha}}(h) = -\mathbb{E}_{\hat{\alpha}}(h\mathcal{L}h),$$

where \mathcal{L} is the symmetric exclusion generator defined in equation (2.4). It can be rewritten thanks to the invariance of $\mu_{\hat{\alpha}}$ w.r.t the symmetric exclusion process as

$$\mathcal{D}_{\hat{\alpha}}(h) = \frac{1}{2} \mathbb{E}_{\hat{\alpha}} \left(\sum_{x \in \mathbb{T}_N^2} \sum_{|z|=1} (\nabla_{x, x+z} h)^2 \right).$$

If there is no ambiguity, we will omit the dependence in $\hat{\alpha}$ of the Dirichlet form, and simply denote it by \mathcal{D} . The Dirichlet form is convex and non-negative. Furthermore, any function f in its kernel is such that $f(\hat{\eta}) = f(\hat{\eta}')$ for any pair $(\hat{\eta}, \hat{\eta}')$ of configurations with the same number of particles $K \leq N^2 - 1$ and the same family of angles. We also introduce the Dirichlet form

$$(3.6) \quad D(h) = \mathcal{D}(\sqrt{h}),$$

which has the same properties as \mathcal{D} .

We now investigate the entropy production of the AEP. Let $P_t^{N, \lambda, \beta}$ be the semi-group of the AEP associated to the complete generator L_N introduced in equation (2.2), and $\mu_t^N = \mu^N P_t^{N, \lambda, \beta}$ the measure of the configuration at time t . Thanks to the two assumptions (2.7) and (2.8), μ^N is absolutely continuous with respect to the product measure μ_α^* . This, and the fact that the alignment rates $c_{x, \beta}$ are bounded from above and below uniformly in θ , guarantee that for any time t , μ_t^N is also absolutely continuous w.r.t. μ_α^* . We therefore denote by $f_t^N = d\mu_t^N / \mu_\alpha^*$ the density of the measure at time t w.r.t. the reference measure μ_α^* . We now prove the following estimate on the entropy of the function f_t^N .

Proposition 3.9 (Control on the entropy and the Dirichlet form of f_t^N)

For any density f w.r.t. μ_α^ , we denote by $H(f) = \mathbb{E}_\alpha^*(f \log f)$ the entropy of the density f . Then, for any time $t > 0$, there exists a constant $K_0 = K_0(t, \lambda, \beta, \hat{\zeta})$ such that*

$$H \left(\frac{1}{t} \int_0^t f_s^N ds \right) \leq K_0 N^2 \quad \text{and} \quad D \left(\frac{1}{t} \int_0^t f_s^N ds \right) \leq K_0.$$

Proof of Proposition 3.9. — The density f_t^N is solution to

$$(3.7) \quad \begin{cases} \partial_t f_t^N = L_N^* f_t^N \\ f_0^N = d\mu^N / d\mu_\alpha^* \end{cases}$$

where L_N^* is the adjoint of L_N in $L^2(\mu_\alpha^*)$. To clarify the proof, we divide it in a series of steps.

Expression of the entropy production of the system. — The relative entropy of μ_t^N with respect to the reference measure μ_α^* is given by

$$H(\mu_t^N | \mu_\alpha^*) = H(f_t^N) = \mathbb{E}_\alpha^* (f_t^N \log f_t^N),$$

which is non-negative due to the convexity on $[0, +\infty[$ of $x \mapsto x \log x$. According to equation (3.7), its time derivative is

$$(3.8) \quad \partial_t H(f_t^N) = \mathbb{E}_\alpha^* (\log f_t^N L_N^* f_t^N) + \mathbb{E}_\alpha^* (L_N^* f_t^N).$$

The second term on the right-hand side is equal to

$$\mathbb{E}_\alpha^* (L_N^* f_t^N) = \mathbb{E}_\alpha^* (f_t^N L_N \hat{1}) = 0,$$

since all constant functions are in the kernel of L_N . Equation (3.8) can be rewritten, since L_N^* is the adjoint of L_N in $L^2(\mu_\alpha^*)$, as

$$\partial_t H(f_t^N) = \mathbb{E}_\alpha^* (f_t^N L_N \log f_t^N).$$

Now thanks to the elementary inequality

$$\log b - \log a \leq \frac{2}{\sqrt{a}}(\sqrt{b} - \sqrt{a}),$$

we can control $L_N \log f_t^N$ by

$$\frac{2}{\sqrt{f_t^N}} L_N \sqrt{f_t^N},$$

therefore, the definition of L_N yields

$$\partial_t H(f_t^N) \leq -2N^2 D(f_t^N) + 2N \mathbb{E}_\alpha^* \left(\sqrt{f_t^N} \mathcal{L}^{\text{WA}} \sqrt{f_t^N} \right) + 2 \mathbb{E}_\alpha^* \left(\sqrt{f_t^N} \mathcal{L}^{\text{G}} \sqrt{f_t^N} \right),$$

where D is the Dirichlet form defined in Definition 3.8.

Integrating between the times 0 and t , we get

$$(3.9) \quad H(\mu_t^N | \mu_\alpha^*) + 2N^2 \int_0^t D(f_s^N) \leq H(\mu_0^N | \mu_\alpha^*) + 2 \int_0^t \mathbb{E}_\alpha^* \left(\sqrt{f_s^N} (N \mathcal{L}^{\text{WA}} + \mathcal{L}^{\text{G}}) \sqrt{f_s^N} \right) ds$$

Since the Dirichlet form of the symmetric exclusion process is non-negative, we now focus on showing that the part of the entropy due to the weakly asymmetric part and Glauber part do not grow too much in N , in order to get an upper bound on the Dirichlet form $D(f)$ and on the entropy $H(\mu_t^N | \mu_\alpha^*)$. From here, control over the initial relative entropy should suffice to ensure that the measure of the AEP remains close to a product measure.

Bound on the entropy production of the asymmetric part of the dynamics. — by definition of the asymmetric dynamic,

$$\mathbb{E}_\alpha^* \left(\sqrt{f_s^N} \mathcal{L}^{\text{WA}} \sqrt{f_s^N} \right) = \mathbb{E}_\alpha^* \left(\sum_{x,i,\delta=\pm 1} \lambda_i(\theta_x) \delta \eta_x (1 - \eta_{\delta e_i}) \sqrt{f_s^N}(\hat{\eta}) \left(\sqrt{f_s^N}(\hat{\eta}^{x,x+\delta e_i}) - \sqrt{f_s^N}(\hat{\eta}) \right) \right).$$

Despite the extra factor N , the jump rates of the weakly asymmetric dynamics are not very different from symmetric exclusion process jump rates, which allows us to estimate the quantity above in terms of the Dirichlet form. More precisely, thanks to the elementary inequality

$$\mathbb{E}(\varphi\psi) \leq \gamma \mathbb{E}(\varphi^2)/2 + \mathbb{E}(\psi^2)/2\gamma$$

which holds for any positive constant γ , we can write with

$$\varphi = \eta_x (1 - \eta_{\delta e_i}) \left(\sqrt{f_s^N}(\hat{\eta}^{x,x+\delta e_i}) - \sqrt{f_s^N}(\hat{\eta}) \right),$$

and

$$\psi = \lambda(\theta_x) \delta \sqrt{f_s^N(\hat{\eta})}$$

that

$$\begin{aligned} & \mathbb{E}_\alpha^* \left(\sqrt{f_s^N} \mathcal{L}^{\text{WA}} \sqrt{f_s^N} \right) \\ & \leq \sum_{x,i,\delta=\pm 1} \left[\frac{\mathbb{E}_\alpha^* (\lambda(\theta_x)^2 f_s^N)}{2\gamma} + \frac{\gamma}{2} \mathbb{E}_\alpha^* \left(\eta_x (1 - \eta_{\delta e_i}) \left(\sqrt{f_s^N}(\hat{\eta}^{x,x+\delta e_i}) - \sqrt{f_s^N}(\hat{\eta}) \right)^2 \right) \right]. \end{aligned}$$

In right-hand side above, letting $C_\lambda = 4\lambda^2$ the first term can be bounded by $C_\lambda N^2 / 2\gamma$, since the number of terms in the sum is $4N^2$, whereas the second sum of terms is $\gamma D(f_s^N)$. We then let $\gamma = N$ to obtain the upper bound

$$(3.10) \quad 2N \mathbb{E}_\alpha^* \left(\sqrt{f_s^N} \mathcal{L}^{\text{WA}} \sqrt{f_s^N} \right) \leq C_\lambda N^2 + N^2 D(f_s^N).$$

Bound on the entropy production of the Glauber part of the dynamics. — thanks to the elementary inequality $ab \leq (a^2 + b^2)/2$, and since the jump rates $c_{x,\beta}$ are less than $e^{8\beta}/2\pi$, and η_x by 1

$$\begin{aligned} \mathbb{E}_\alpha^* \left(\sqrt{f_s^N} \mathcal{L}^{\text{G}} \sqrt{f_s^N} \right) &= \mathbb{E}_\alpha^* \left(\sqrt{f_s^N} \sum_{x \in \mathbb{T}_N^2} \eta_x \int_{\mathbb{S}} c_{x,\beta}(\theta, \hat{\eta}) \left(\sqrt{f_s^N}(\hat{\eta}^{x,\theta}) - \sqrt{f_s^N}(\hat{\eta}) \right) d\theta \right) \\ &\leq \frac{e^{8\beta}}{2\pi} \sum_{x \in \mathbb{T}_N^2} \mathbb{E}_\alpha^* \left(\frac{1}{2} \int_{\mathbb{S}} f_s^N(\hat{\eta}^{x,\theta}) d\theta + \frac{3}{2} f_s^N(\hat{\eta}) \right). \end{aligned}$$

Since $\mathbb{E}_\alpha^* \left(\int_{\mathbb{S}} f_s^N(\hat{\eta}^{x,\theta}) d\theta \right) = \mathbb{E}_\alpha^* (f_s^N)$, the expectation can be bounded from above by 2, and we can therefore write, letting $C_\beta = 2e^{8\beta}/\pi$

$$(3.11) \quad 2 \mathbb{E}_\alpha^* \left(\sqrt{f_s^N} \mathcal{L}^{\text{G}} \sqrt{f_s^N} \right) \leq C_\beta N^2.$$

Bound on the Dirichlet form and on the entropy production. — at this point, we obtain from (3.9), (3.10) and (3.11)

$$H(\mu_t^N | \mu_\alpha^*) + N^2 \int_0^t D(f_s^N) ds \leq H(\mu^N | \mu_\alpha^*) + t(C_\lambda + C_\beta)N^2$$

By assumption (2.8), the initial density $\hat{\zeta} \in C(\mathbb{T}^2 \times \mathbb{S})$ is positive and continuous, therefore there exists two constants c and C such that

$$0 < c \leq \hat{\zeta} \leq C.$$

Furthermore, by assumption (2.7), for any $u \in \mathbb{T}_N^2$, $\zeta(u) = \int_{\mathbb{S}} \hat{\zeta}(u, \theta) d\theta \in]0, 1[$ and is continuous in u , thus there exists c' and C' such that for any $u \in \mathbb{T}^2$,

$$0 < c' \leq \zeta(u) \leq C' < 1.$$

These two conditions yield that for some constant $K = K(\hat{\zeta})$, for any $N \in \mathbb{N}$, we can estimate the relative entropy of the initial measure μ^N w.r.t. μ_α^* by

$$(3.12) \quad H(\mu^N | \mu_\alpha^*) \leq KN^2.$$

We can therefore write

$$(3.13) \quad H(\mu_t^N | \mu_\alpha^*) + \int_0^t \frac{N^2}{2} D(f_s^N) ds \leq K(t)N^2.$$

where $K(t) = K + t(C_\lambda + C_\beta)$ is a positive constant. Since $H(f) = \mathbb{E}_\alpha^*(f \log f)$ and $D(f)$ are both non-negative and convex, we can deduce from (3.13), that for some time-dependent constant $K_0 = \int_0^t K(s) ds$, we have

$$(3.14) \quad H\left(\frac{1}{t} \int_0^t f_s^N ds\right) \leq K_0 N^2 \quad \text{and} \quad D\left(\frac{1}{t} \int_0^t f_s^N ds\right) \leq K_0.$$

This upper bound proves proposition 3.9, and will be necessary in the next Section to apply the replacement Lemma 4.1 to the AEP. \square

Before taking on the problem of irreducibility, we give a result that will be needed several times throughout the proof, and comes from the entropy inequality. Let us denote by $\mathcal{L}^{G,\beta=0}$ the modified Glauber generator with uniform update of the angle in \mathbb{S} , (i.e. $\beta = 0$)

$$\mathcal{L}^{G,\beta=0} f(\hat{\eta}) = \sum_{x \in \mathbb{T}_N^2} \eta_x \frac{1}{2\pi} \int_{\mathbb{S}} (f(\hat{\eta}^{x,\theta}) - f(\hat{\eta})) d\theta$$

and denote in a similar fashion

$$(3.15) \quad L_N^{\beta=0} = N^2 \mathcal{L}^D + \mathcal{L}^{G,\beta=0},$$

which is the complete generator of the AEP with random update of the angles. Then, accordingly to our previous notations, $\mathbb{P}_{\mu_\alpha^*}^{\lambda,0}$ is the measure on the trajectories started from μ_α^* and driven by the generator $L_N^{\beta=0}$. We can now state the following result.

Proposition 3.10 (Comparison of $\mathbb{P}_{\mu_N}^{\lambda,\beta}$ and $\mathbb{P}_{\mu_\alpha^*}^{\lambda,0}$). — *There exists a constant $K_0 = K_0(T, \beta, \hat{\rho}_0) > 0$ such that for any function $X : \Sigma_N^{[0,T]} \rightarrow \mathbb{R}$ and any $A > 0$,*

$$\mathbb{E}_{\mu_N}^{\lambda,\beta} \left[X \left(\hat{\eta}^{[0,T]} \right) \right] \leq \frac{1}{A} \left(K_0 N^2 + \log \mathbb{E}_{\mu_\alpha^*}^{\lambda,0} \left[\exp \left(AX \left(\hat{\eta}^{[0,T]} \right) \right) \right] \right),$$

where $\hat{\eta}^{[0,T]}$ is the notation already introduced at the end of Section 3.1 for a trajectory $(\hat{\eta}(t))_{t \in [0,T]}$.

Proof of Proposition 3.10. — The proof of this Proposition is rather straightforward thanks to the entropy inequality. In a first step, we compare the same process starting from μ_α^* . First note that for any function $X : \Sigma_N^{[0,T]} \rightarrow \mathbb{R}$, we can write

$$\mathbb{E}_{\mu_N}^{\lambda,\beta} \left[X \left(\hat{\eta}^{[0,T]} \right) \right] = \mathbb{E}_{\mu_\alpha^*}^{\lambda,\beta} \left(\frac{d\mu_N}{d\mu_\alpha^*}(\hat{\eta}(0)) X \left(\hat{\eta}^{[0,T]} \right) \right).$$

This yields that

$$(3.16) \quad \mathbb{E}_{\mu_N}^{\lambda,\beta} \left[X \left(\hat{\eta}^{[0,T]} \right) \right] \leq \frac{1}{A} \left(H(\mu_N | \mu_\alpha^*) + \log \mathbb{E}_{\mu_\alpha^*}^{\lambda,\beta} \left[\exp \left(AX \left(\hat{\eta}^{[0,T]} \right) \right) \right] \right).$$

In the entropy inequality above, $\mathbb{E}_{\mu_N}^{\lambda,\beta}$ is the expectation under the measure of the process started from μ_N , whereas $\mathbb{E}_{\mu_\alpha^*}^{\lambda,\beta}$ is that of the process started from the stationary measure μ_α^* .

By (3.12), the first term in the right-hand side above is less than KN^2/A for some fixed constant $K = K(\hat{\zeta})$. Furthermore, the Radon-Nikodym derivative of the process with alignment ($\beta > 0$) w.r.t the one without alignment ($\beta = 0$) can be explicitly computed. Given a càdlàg trajectory $\hat{\eta}^{[0,T]} \in \Sigma_N^{[0,T]}$, consider τ_1, \dots, τ_R the set of angle jumps between times 0 and T , let us denote by x_i the site at which the angle changed at time τ_i , and by $\theta_i = \theta_{x_i}(\tau_i)$ the new angle at site x_i . Then, the density between the measures with and without alignment is given by

$$\frac{d\mathbb{P}_\nu^{\lambda,\beta}}{d\mathbb{P}_\nu^{\lambda,0}}(\hat{\eta}^{[0,T]}) = \prod_{i=1}^R \frac{c_{x_i,\beta}(\theta_i, \hat{\eta}(\tau_i))}{c_{x_i,0}(\theta_i, \hat{\eta}(\tau_i))} \leq e^{8\beta R},$$

where R is the number of angle updates between times 0 and T . To establish the estimate above, we used that $c_{x,\beta}(\theta, \hat{\eta})$ can be uniformly bounded from above by $e^{8\beta}/2\pi$, that $c_{x,0}(\theta, \hat{\eta}) = 1/2\pi$, and that regardless of the configuration and the inverse temperature β , each site updates its angle at rate 1 (i.e. $\int_{\theta} c_{x,\beta}(\theta, \hat{\eta}) = 1$). We can now estimate the second term in the right-hand side of equation (3.16) by

$$\frac{1}{A} \log \mathbb{E}_{\mu_\alpha^*}^{\lambda,0} \left[e^{8\beta R} \exp \left(AX \left(\hat{\eta}^{[0,T]} \right) \right) \right].$$

Applying the Cauchy-Schwarz inequality yields that the quantity above is less than

$$\frac{1}{2A} \left(\log \mathbb{E}_{\mu_\alpha^*}^{\lambda,0} \left[e^{16\beta R} \right] + \log \mathbb{E}_{\mu_\alpha^*}^{\lambda,0} \left[\exp \left(2AX \left(\hat{\eta}^{[0,T]} \right) \right) \right] \right).$$

Since the spin updates happen in each site at rate 1 except when the site is empty, we can define on the same probability space as our process a family P_x of i.i.d. Poisson variable with mean T , and such that

$R \leq \sum_{x \in \mathbb{T}_N^2} P_x$. thanks to the elementary inequality

$$\log \mathbb{E} \left[e^{16\beta \sum_{x \in \mathbb{T}_N^2} P_x} \right] = T(e^{16\beta} - 1)N^2,$$

we now only have to let

$$K_0(T, \beta, \widehat{\zeta}) = 2K(\widehat{\zeta}) + T(e^{16\beta} - 1)$$

and replace A by $2A$ to conclude the proof of Proposition 3.10. \square

3.3. Irreducibility and control on full clusters. — *Unlike the exclusion process with one type of particles, the multi-type exclusion process is not irreducible when the number of particles is too large, namely when the domain has less than one empty sites. When all the sites are occupied for example, the process is stuck in its current configuration, up to realignment, due to the exclusion rule. At high density, we therefore lose the mixing properties we need to reach local equilibrium. To illustrate this statement, consider a square macroscopic domain of size εN , and on it a configuration with the bottom half filled with particles with angle θ , and the top half filled with particles with angle $\theta' \neq \theta$, and letting a finite number of sites be empty, the mixing time of this setup is of order larger than N^2 due to the rigidity of the configuration. In order to reach equilibrium, an empty site needs to "fetch" a particle and transport it in the other cluster, and so on, until the density is homogeneous for both types of particles. The scaling of our alignment dynamics, is, furthermore, not sufficient to ensure sufficiently frequent realignment of the particles to solve this issue.*

In order to prove the scaling limit of a multi-type exclusion process, it is therefore critical to bound the particle density away from 1. This issue was solved in [35] by using the fact that the total density of the multi-type SSEP (the spin blind model) follows the standard SSEP dynamics (with one specie). Thus the total density could be controlled by the classical argument on the hydrodynamic limit for SSEP. In our case, however, the total density does not follow the SSEP dynamics. In fact, it is not even a Markov chain due to the asymmetric parts which depend on the angles. A different argument is required to control the evolution of the total density, which is the purpose of the subsection.

In the general setup where the number of types of particles in a domain B can reach $|B|$ (which will often be the case when particles take their angles in \mathbb{S}), it is known that the exclusion process with $|B| - 1$ particles is no longer irreducible, as a consequence of a generalization of the n -puzzle (cf. Johnson & Story, 1879, see [26]). We therefore need to consider only the local configurations with two empty sites, on which the exclusion process is irreducible regardless of the number of types of particles, as stated in the following Lemma.

Lemma 3.11 (Irreducibility of the displacement process with two empty sites)

Consider a square domain $B = B_p(x)$, and two configurations $\widehat{\eta}, \widehat{\eta}'$ two configurations with the same types and number of particles in B , i.e. such that

$$\sum_{x \in B} \eta_x \delta_{\theta_x} = \sum_{x \in B} \eta'_x \delta_{\theta'_x}.$$

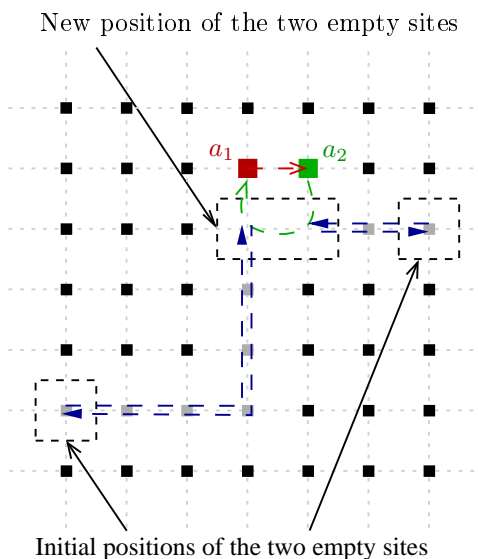
Then, there exists a sequence of configurations $\widehat{\eta}^0, \dots, \widehat{\eta}^n$, such that $\widehat{\eta}^0 = \widehat{\eta}$, $\widehat{\eta}^n = \widehat{\eta}'$, and such that for any $k \in \llbracket 0, n-1 \rrbracket$, $\widehat{\eta}^{k+1}$ is reached from $\widehat{\eta}^k$ by one allowed particle jump, i.e.

$$\widehat{\eta}^{k+1} = (\widehat{\eta}^k)^{x_k, x_k + z_k}, \quad \text{and} \quad \eta_{x_k + z_k}^k = 1 - \eta_{x_k}^k = 0 \quad \text{and} \quad |z_k| = 1.$$

Furthermore, there exists a constant C such that $n \leq Cp^4$.

Proof of Lemma 3.11. — The proof of this statement is quite elementary. Fix a configuration $\widehat{\eta} \in \Sigma_N$ on a rectangular domain B with two empty sites, and let $a = (a_1, a_2)$ be an edge in \mathbb{T}_N^2 . We are first going to prove that $\widehat{\eta}^{a_1, a_2}$ can be reached from $\widehat{\eta}$ using allowed particles jumps. Notice that according to the exclusion rule, we can consider that any empty site is allowed to move freely by exchanging their place with any site next to it.

We first bring ourselves back to a configuration described in Fig. 2, where the two closest empty sites are brought next to the edge a . More precisely, we reach a configuration where the two empty sites and


 FIGURE 2. Reaching $\hat{\eta}^{a_1, a_2}$ from η .

the two sites a_1 and a_2 are at the vertices of a side-1 square. From here, we are able to invert the two particles in a_1 and a_2 by a circular motion of the four empty sites along the edges of the square, and then bring back the empty sites along the paths that brought them next to a to their original location. Doing so, one reaches exactly the configuration $\hat{\eta}^{a_1, a_2}$ from $\hat{\eta}$ with allowed particle jumps in B .

We deduce from this last statement that for any pair of configurations $\hat{\eta}, \hat{\eta}'$ with the same particles in B , $\hat{\eta}'$ can be reached from $\hat{\eta}$ with jumps in B since the transition can be decomposed along switches of nearest neighbor sites. The process is thus irreducible on the sets with fixed numbers \hat{K} of particles, as soon as K is smaller than $|B| - 2$. Furthermore, this construction guarantees that any two neighboring particles can be switched with a number of particle exchanges of order p where we denoted by p the size of the box. Since one needs to invert p pairs of particles at most to move one particle to its final position in $\hat{\eta}'$, this proves the last statement. \square

We now prove that large microscopic boxes are rarely fully occupied under the dynamics. Let us denote by $E_{p,x}$ the event

$$(3.17) \quad E_{p,x} = \left\{ \sum_{y \in B_p(x)} \eta_y \leq |B_p(x)| - 2 \right\},$$

on which the box of size p around x contains at least two empty sites. When the site x is the origin, we will simply write E_p instead of $E_{p,0}$. In order to ensure that full clusters very rarely appear in the dynamics, we need the following Lemma.

Proposition 3.12 (Control on full clusters). — *For any positive time T ,*

$$(3.18) \quad \lim_{p \rightarrow \infty} \lim_{N \rightarrow \infty} \mathbb{E}_{\mu^{\lambda, \beta}}^{\lambda, \beta} \left(\int_0^T \frac{1}{N^2} \sum_{x \in \mathbb{T}_N^2} \mathbb{1}_{E_{p,x}^c}(t) dt \right) = 0.$$

Remark 3.13 (Scheme of the proof). — We first sketch the proof in a continuous idealized setup to explain the general ideas before giving the rigorous proof.

To prove that the box of microscopic side p is not full, setting $p' = (2p + 1)^2$ the cardinal of B_p , it is enough to prove thanks to the microscopic setting that

$$\iint_{[0, T] \times \mathbb{T}^2} \rho_t^{p'}(u) du dt \xrightarrow{p' \rightarrow \infty} 0,$$

where $\rho_t(u)$ denotes the macroscopic density in u at time t .

We expect the total density ρ to follow the partial differential equation

$$(3.19) \quad \partial_t \rho = \Delta \rho + \nabla \cdot (m(1 - \rho)),$$

where m is a random quantity representing the local direction of the asymmetry. Should (3.19) be true, we could therefore write, letting $\phi(\rho) = 1/(1 - \rho)$

$$(3.20) \quad \begin{aligned} \partial_t \int_{\mathbb{T}^2} \phi(\rho_t) du &= \int_{\mathbb{T}^2} \phi'(\rho_t) [\Delta \rho_t + \nabla \cdot (m_t(1 - \rho_t))] du \\ &= \int_{\mathbb{T}^2} \phi''(\rho_t) [-(\nabla \rho_t)^2 + m_t(1 - \rho_t) \nabla \rho_t] du \\ &\leq \int_{\mathbb{T}^2} \phi''(\rho_t) \left[-(\nabla \rho_t)^2 + \frac{(\nabla \rho_t)^2}{2} + \|m_t\|_\infty^2 (1 - \rho_t)^2 \right] du \\ &\leq \int_{\mathbb{T}^2} \phi''(\rho_t) \|m_t\|_\infty^2 (1 - \rho_t)^2 du = 2 \|m_t\|_\infty^2 \int_{\mathbb{T}^2} \phi(\rho_t) du \end{aligned}$$

One could then apply Gronwall's Lemma to obtain that for any time t ,

$$\int_{\mathbb{T}^2} \phi(\rho_t) du \leq e^{2\|m\|_\infty^2 t} \int_{\mathbb{T}^2} \phi(\rho_0) du.$$

Furthermore, for any time t ,

$$\int_{\mathbb{T}^2} \phi(\rho_t) du \geq \frac{1}{\delta} \int_{\mathbb{T}^2} \mathbb{1}_{\{\rho_t \geq 1 - \delta\}} + \int_{\mathbb{T}^2} \mathbb{1}_{\{\rho_t \leq 1 - \delta\}} = \frac{1 - \delta}{\delta} \int_{\mathbb{T}^2} \mathbb{1}_{\{\rho_t \geq 1 - \delta\}} + 1,$$

therefore, for any time t ,

$$(3.21) \quad \int_{\mathbb{T}^2} \mathbb{1}_{\{\rho_t \geq 1 - \delta\}} \leq \frac{\delta}{1 - \delta} \left[e^{2\|m\|_\infty^2 t} \int_{\mathbb{T}^2} \phi(\rho_0) du - 1 \right] \xrightarrow{\delta \rightarrow 0} 0.$$

As a consequence, for any time t , we could therefore write

$$(3.22) \quad \iint_{[0, T] \times \mathbb{T}^2} \rho_t^{p'}(u) du dt \leq T(1 - \delta)^{p'} + \iint_{[0, T] \times \mathbb{T}^2} \mathbb{1}_{\{\rho_t \geq 1 - \delta\}}.$$

The first term in the right-hand side vanishes for any fixed δ as $p' \rightarrow \infty$, whereas the second becomes as small as needed letting $\delta \rightarrow 0$.

Since our macroscopic density does not verify equation (3.19), however, the operations above need to be performed in a microscopic setup. The derivation of equation (3.21) is the purpose of Proposition 3.14. Two intermediate Lemmas 3.15 and 3.16 prove the microscopic equivalent of equation (3.20).

Before giving the proof of Proposition 3.12, which is postponed to the end of the subsection, we give first the following estimate.

Proposition 3.14 (High density estimate). — *For any positive $0 < \delta' < 1/2$, and any time $t > 0$, we have the bound*

$$(3.23) \quad \limsup_{\varepsilon \rightarrow 0} \limsup_{N \rightarrow \infty} \mathbb{E}_{\mu^{\lambda, \beta}} \left(\frac{1}{N^2} \sum_{x \in \mathbb{T}_N^2} \mathbb{1}_{\{\tau_{x, \rho \varepsilon N}(t) > 1 - 2\delta'\}} \right) \leq \delta' C,$$

where C is a finite constant depending continuously on t , and also depending on the asymmetry λ , and the initial profile $\hat{\zeta}$.

Proof of Proposition 3.14. — For any small $\delta > 0$, let us denote by ϕ_δ the application

$$\phi_\delta : \begin{array}{ccc} [0, 1] & \longrightarrow & \mathbb{R}_+ \\ \rho & \longmapsto & \frac{1}{1 + \delta - \rho} \end{array}.$$

Note that all successive derivatives of order less than k of ϕ_δ are positive (and increasing) functions, and all are bounded by $1/\delta^{k+1}$.

We now fix a C^1 function $H : \mathbb{T}^2 \rightarrow \mathbb{R}_+$, and assume that $\int_{\mathbb{T}^2} H(u) du = 1$. For any $u \in \mathbb{T}^2$, we denote by H_u the function

$$H_u : v \mapsto H(u - v).$$

In order to simplify the notations, for any configuration $\hat{\eta} \in \Sigma_N$, and given its empirical measure π^N , we shorten

$$(3.24) \quad \rho_x^{N,H}(\hat{\eta}) := \langle \pi^N, H_{x/N} \rangle = \frac{1}{N^2} \sum_{y \in \mathbb{T}_N^2} H\left(\frac{x-y}{N}\right) \eta_y.$$

We now write

$$(3.25) \quad \partial_t \mathbb{E}_{\mu^N}^{\lambda,\beta} \left(\frac{1}{N^2} \sum_{x \in \mathbb{T}_N^2} \phi_\delta(\rho_x^{N,H}(\hat{\eta})) \right) = \mathbb{E}_{\mu^N}^{\lambda,\beta} \left(\frac{1}{N^2} \sum_{x \in \mathbb{T}_N^2} L_N \phi_\delta(\rho_x^{N,H}(\hat{\eta})) \right),$$

where L_N is the generator of the complete process $L_N = N^2 \mathcal{L} + N \mathcal{L}^{\text{wa}} + \mathcal{L}^{\text{G}}$. Our goal is to apply Gronwall's Lemma to the expectation in the left-hand side, therefore we now need to estimate the right-hand side.

Since $\rho_x^{N,H}$ does not depend on the angles of the particles, neither does $\phi_\delta(\rho_x^{N,H})$, and the contribution of the Glauber part \mathcal{L}^{G} of the generator L_N in the right-hand side above vanishes. The two other parts of the generator together yield the wanted bound, and are treated in separate lemmas for the sake of clarity. As mentioned earlier, these two lemmas are the microscopic equivalent of equation (3.20).

Lemma 3.15. — *[Contribution of the symmetric part] There exists a sequence $(c_N(\delta, H))_{N \in \mathbb{N}}$ depending only on δ and H , vanishing as $N \rightarrow \infty$, and such that for any configuration $\hat{\eta} \in \Sigma_N$*

$$(3.26) \quad \sum_{x \in \mathbb{T}_N^2} \mathcal{L} \phi_\delta(\rho_x^{N,H})(\hat{\eta}) \leq - \sum_{\substack{x \in \mathbb{T}_N^2 \\ i=1,2}} \frac{\phi_\delta''(\rho_{x+e_i}^{N,H}) + \phi_\delta''(\rho_x^{N,H})}{2} (\rho_{x+e_i}^{N,H} - \rho_x^{N,H})^2(\hat{\eta}) + c_N(\delta, H).$$

Lemma 3.16. — *[Contribution of the asymmetric part] There exists a sequence $(\tilde{c}_N(\delta, H))_{N \in \mathbb{N}}$ depending only on δ and H , vanishing as $N \rightarrow \infty$, and such that for any configuration $\hat{\eta} \in \Sigma_N$*

$$(3.27) \quad \frac{1}{N} \sum_{x \in \mathbb{T}_N^2} \mathcal{L}^{\text{wa}} \phi_\delta(\rho_x^{N,H})(\hat{\eta}) \leq \sum_{x \in \mathbb{T}_N^2} \left[\sum_{i=1}^2 \frac{\phi_\delta''(\rho_{x+e_i}^{N,H}) + \phi_\delta''(\rho_x^{N,H})}{2} (\rho_{x+e_i}^{N,H} - \rho_x^{N,H})^2 + \frac{2\lambda^2 \phi_\delta(\rho_x^{N,H})}{N^2} \right](\hat{\eta}) + \tilde{c}_N(\delta, H).$$

Proof of Lemma 3.15. — By definition of the symmetric part of the generator \mathcal{L} ,

$$\sum_{x \in \mathbb{T}_N^2} \mathcal{L} \phi_\delta(\rho_x^{N,H})(\hat{\eta}) = \sum_{x, y \in \mathbb{T}_N^2} \sum_{i=1}^2 \mathbb{1}_{\{\eta_y \eta_{y+e_i} = 0\}} [\phi_\delta(\rho_x^{N,H}(\hat{\eta}^{y, y+e_i})) - \phi_\delta(\rho_x^{N,H}(\hat{\eta}))].$$

We now develop the gradient of ϕ_δ to the second order, to obtain that the right-hand side above is equal to

$$\sum_{x, y \in \mathbb{T}_N^2} \sum_{i=1}^2 \mathbb{1}_{\{\eta_y \eta_{y+e_i} = 0\}} \left[\phi_\delta'(\rho_x^{N,H}(\hat{\eta})) (\rho_x^{N,H}(\hat{\eta}^{y, y+e_i}) - \rho_x^{N,H}(\hat{\eta})) + \frac{\phi_\delta''(\rho_x^{N,H}(\hat{\eta}))}{2} (\rho_x^{N,H}(\hat{\eta}^{y, y+e_i}) - \rho_x^{N,H}(\hat{\eta}))^2 + o\left((\rho_x^{N,H}(\hat{\eta}^{y, y+e_i}) - \rho_x^{N,H}(\hat{\eta}))^2\right) \right].$$

Note that since the successive derivatives of order less than k of ϕ_δ are uniformly bounded on $[0, 1]$ by $1/\delta^k$, the vanishing quantity $o\left((\rho_x^{N,H}(\hat{\eta}^{y, y+e_i}) - \rho_x^{N,H}(\hat{\eta}))^2\right)$ can be bounded uniformly in $\hat{\eta}$, x , y and i (but not uniformly in δ). Since H is a smooth function,

$$\left| \rho_x^{N,H}(\hat{\eta}^{y, y+e_i}) - \rho_x^{N,H}(\hat{\eta}) \right| = \frac{1}{N^2} \left| H_{x/N}\left(\frac{y+e_i}{N}\right) - H_{x/N}\left(\frac{y}{N}\right) \right|$$

is of order N^{-3} , the contributions of the second line above are therefore at most of order N^{-2} and vanish in the limit $N \rightarrow \infty$. This yields

$$(3.28) \quad \sum_{x \in \mathbb{T}_N^2} \mathcal{L} \phi_\delta(\rho_x^{N,H}) = \sum_{x \in \mathbb{T}_N^2} \phi_\delta'(\rho_x^{N,H}(\hat{\eta})) \sum_{y \in \mathbb{T}_N^2} \sum_{i=1}^2 \mathbb{1}_{\{\eta_y \eta_{y+e_i} = 0\}} (\rho_x^{N,H}(\hat{\eta}^{y, y+e_i}) - \rho_x^{N,H}(\hat{\eta})) + o_N(1),$$

where $o_N(1)$ is less than a vanishing sequence $(c_N^1)_{N \in \mathbb{N}}$ depending on δ and H only.

Since for any $z \in \mathbb{T}^2$, $H_u(v+z) = H_{u-z}(v)$, the definition of $\rho_x^{N,H}$ yields

$$\begin{aligned} \mathbb{1}_{\{\eta_y \eta_{y+e_i} = 0\}} (\rho_x^{N,H}(\widehat{\eta}^{y,y+e_i}) - \rho_x^{N,H}(\widehat{\eta})) &= \frac{1}{N^2} (\eta_y - \eta_{y+e_i}) \left(H_{x/N} \left(\frac{y+e_i}{N} \right) - H_{x/N} \left(\frac{y}{N} \right) \right) \\ &= \frac{1}{N^2} \eta_y \left(H_{x-e_i/N} \left(\frac{y}{N} \right) - H_{x/N} \left(\frac{y}{N} \right) \right) \\ &\quad - \frac{1}{N^2} \eta_{y+e_i} \left(H_{x/N} \left(\frac{y+e_i}{N} \right) - H_{x+e_i/N} \left(\frac{y+e_i}{N} \right) \right). \end{aligned}$$

Summing the quantity above over y , one obtains exactly $\rho_{x-e_i}^{N,H} + \rho_{x+e_i}^{N,H} - 2\rho_x^{N,H}$. This is the discrete Laplacian in the variable x of $\rho_x^{N,H}$, and a discrete integration by parts allows us to rewrite the first term on the right-hand side of equation (3.28) as

$$- \sum_{x \in \mathbb{T}_N^2} \sum_{i=1}^2 \left(\phi'_\delta(\rho_{x+e_i}^{N,H}) - \phi'_\delta(\rho_x^{N,H}) \right) (\rho_{x+e_i}^{N,H} - \rho_x^{N,H}).$$

We now write

$$\left(\phi'_\delta(\rho_{x+e_i}^{N,H}) - \phi'_\delta(\rho_x^{N,H}) \right) = \frac{(\phi''_\delta(\rho_{x+e_i}^{N,H}) + \phi''_\delta(\rho_x^{N,H}))}{2} (\rho_{x+e_i}^{N,H} - \rho_x^{N,H}) + o(\rho_{x+e_i}^{N,H} - \rho_x^{N,H}),$$

in which $\rho_{x+e_i}^{N,H} - \rho_x^{N,H}$ is of order $1/N$ because H is a smooth function, to finally obtain that

$$(3.29) \quad \sum_{x \in \mathbb{T}_N^2} \mathcal{L} \phi_\delta(\rho_x^{N,H}) = - \sum_{x \in \mathbb{T}_N^2} \sum_{i=1}^2 \frac{\phi''_\delta(\rho_{x+e_i}^{N,H}) + \phi''_\delta(\rho_x^{N,H})}{2} (\rho_{x+e_i}^{N,H} - \rho_x^{N,H})^2 + o_N(1),$$

where once again, the o_N can be bounded by a vanishing sequence $(c_N)_{N \in \mathbb{N}}$ depending only on δ , which completes the proof of Lemma 3.15 \square

Proof of Lemma 3.16. — This proof follows the exact same steps as for the previous one. We first obtain by definition of \mathcal{L}^{va} and developing the discrete gradient of ϕ that

$$(3.30) \quad \frac{1}{N} \sum_{x \in \mathbb{T}_N^2} \mathcal{L}^{\text{va}} \phi_\delta(\rho_x^{N,H}) = o_N(1) + \frac{1}{N} \sum_{x,y \in \mathbb{T}_N^2} \sum_{i=1}^2 (\tau_y j_i^{\lambda_i}) \phi'_\delta(\rho_x^{N,H}(\widehat{\eta})) (\rho_x^{N,H}(\widehat{\eta}^{y,y+e_i}) - \rho_x^{N,H}(\widehat{\eta})),$$

where $j_i^{\lambda_i}$ is defined according to equation (2.17) as

$$j_i^{\lambda_i}(\widehat{\eta}) = \lambda_i(\theta_0) \eta_0 (1 - \eta_{e_i}) - \lambda_i(\theta_{e_i}) \eta_{e_i} (1 - \eta_0),$$

and $o_N(1)$ is less than a vanishing sequence depending only on δ and H . Once again, similar steps as in the previous case allow us to rewrite

$$\begin{aligned} (\tau_y j_i^{\lambda_i}) (\rho_x^{N,H}(\widehat{\eta}^{y,y+e_i}) - \rho_x^{N,H}(\widehat{\eta})) &= \frac{1}{N^2} [\lambda_i(\theta_y) \eta_y (1 - \eta_{y+e_i}) + \lambda_i(\theta_{y+e_i}) \eta_{y+e_i} (1 - \eta_y)] \left(H_{x/N} \left(\frac{y+e_i}{N} \right) - H_{x/N} \left(\frac{y}{N} \right) \right) \\ &= \frac{1}{N^2} \lambda_i(\theta_y) \eta_y (1 - \eta_{y+e_i}) \left(H_{x/N} \left(\frac{y+e_i}{N} \right) - H_{x/N} \left(\frac{y}{N} \right) \right) + \\ &\quad + \frac{1}{N^2} \lambda_i(\theta_{y+e_i}) \eta_{y+e_i} (1 - \eta_y) \left(H_{x/N} \left(\frac{y+e_i}{N} \right) - H_{x/N} \left(\frac{y}{N} \right) \right) \\ &= \frac{1}{N^2} \lambda_i(\theta_y) \eta_y (1 - \eta_{y+e_i}) \left(H_{x/N} \left(\frac{y+e_i}{N} \right) - H_{x+e_i/N} \left(\frac{y+e_i}{N} \right) \right) + \\ &\quad + \frac{1}{N^2} \lambda_i(\theta_{y+e_i}) \eta_{y+e_i} (1 - \eta_y) \left(H_{x-e_i/N} \left(\frac{y}{N} \right) - H_{x/N} \left(\frac{y}{N} \right) \right) \end{aligned}$$

Summing once again by parts in x , we obtain that the second term in the right-hand side of equation (3.30) is

$$\begin{aligned}
& \frac{1}{N} \sum_{x,y \in \mathbb{T}_N^2} \sum_{i=1}^2 (\tau_y j_i^{\lambda_i}) \phi'_\delta(\rho_x^{N,H}(\hat{\eta})) (\rho_x^{N,H}(\hat{\eta}^{y,y+e_i}) - \rho_x^{N,H}(\hat{\eta})) \\
&= \frac{1}{N^3} \sum_{x \in \mathbb{T}_N^2} \sum_{i=1}^2 \left[\phi'_\delta(\rho_{x+e_i}^{N,H}(\hat{\eta})) - \phi'_\delta(\rho_x^{N,H}(\hat{\eta})) \right] \times \\
& \quad \sum_{y \in \mathbb{T}_N^2} \left[\lambda_i(\theta_y) \eta_y (1 - \eta_{y+e_i}) H_{x+e_i/N} \left(\frac{y+e_i}{N} \right) + \lambda_i(\theta_{y+e_i}) \eta_{y+e_i} (1 - \eta_y) H_{x/N} \left(\frac{y}{N} \right) \right] \\
(3.31) \quad & := S_1 + S_2,
\end{aligned}$$

where

$$S_1 = \frac{1}{N^3} \sum_{x \in \mathbb{T}_N^2} \sum_{i=1}^2 \left[\phi'_\delta(\rho_{x+e_i}^{N,H}(\hat{\eta})) - \phi'_\delta(\rho_x^{N,H}(\hat{\eta})) \right] \sum_{y \in \mathbb{T}_N^2} \left[\lambda_i(\theta_y) \eta_y (1 - \eta_{y+e_i}) H_{x+e_i/N} \left(\frac{y+e_i}{N} \right) \right]$$

and

$$S_2 = \frac{1}{N^3} \sum_{x \in \mathbb{T}_N^2} \sum_{i=1}^2 \left[\phi'_\delta(\rho_{x+e_i}^{N,H}(\hat{\eta})) - \phi'_\delta(\rho_x^{N,H}(\hat{\eta})) \right] \sum_{y \in \mathbb{T}_N^2} \left[\lambda_i(\theta_{y+e_i}) \eta_{y+e_i} (1 - \eta_y) H_{x/N} \left(\frac{y}{N} \right) \right].$$

These two terms are treated in the exact same fashion, we therefore only treat in full detail the case of S_1 , S_2 will follow straightforwardly. First, we develop the difference $\phi'_\delta(\rho_{x+e_i}^{N,H}(\hat{\eta})) - \phi'_\delta(\rho_x^{N,H}(\hat{\eta}))$ to the first order,

$$\phi'_\delta(\rho_{x+e_i}^{N,H}) - \phi'_\delta(\rho_x^{N,H}) = \phi''_\delta(\rho_{x+e_i}^{N,H}) (\rho_{x+e_i}^{N,H} - \rho_x^{N,H}) + o(\rho_{x+e_i}^{N,H} - \rho_x^{N,H}).$$

Once again, H being a smooth function, $\rho_{x+e_i}^{N,H} - \rho_x^{N,H}$ is of order $1/N$, therefore the $o(\rho_{x+e_i}^{N,H} - \rho_x^{N,H})$ is also a $o_N(1/N)$, and the corresponding contribution in S_1 vanishes in the limit $N \rightarrow \infty$. Recall that ϕ''_δ is a positive function, we now apply in S_1 the elementary inequality $ab \leq a^2/2 + b^2/2$ to

$$a = \sqrt{\phi''_\delta(\rho_{x+e_i}^{N,H})} (\rho_{x+e_i}^{N,H} - \rho_x^{N,H})$$

and

$$b = \frac{1}{N^3} \sqrt{\phi''_\delta(\rho_{x+e_i}^{N,H})} \sum_{y \in \mathbb{T}_N^2} \left[\lambda_i(\theta_{y+e_i}) \eta_{y+e_i} (1 - \eta_y) H_{x/N} \left(\frac{y}{N} \right) \right].$$

This yields

$$\begin{aligned}
|S_1| \leq o_N(1) + \sum_{\substack{x \in \mathbb{T}_N^2 \\ i=1,2}} \left[\frac{\phi''_\delta(\rho_{x+e_i}^{N,H})}{2} (\rho_{x+e_i}^{N,H} - \rho_x^{N,H})^2 \right. \\
\left. + \frac{\phi''_\delta(\rho_{x+e_i}^{N,H})}{2N^6} \left(\sum_{y \in \mathbb{T}_N^2} \lambda_i(\theta_y) \eta_y (1 - \eta_{y+e_i}) H_{x+e_i/N} \left(\frac{y+e_i}{N} \right) \right)^2 \right].
\end{aligned}$$

The function H being non-negative, for any y , we can write

$$\lambda_i(\theta_y) \eta_y (1 - \eta_{y+e_i}) H_{x+e_i/N} \left(\frac{y+e_i}{N} \right) \leq \lambda(1 - \eta_{y+e_i}) H_{x+e_i/N} \left(\frac{y+e_i}{N} \right).$$

Furthermore, since we assumed that $\int_{\mathbb{T}^2} H = 1$, and since H is smooth, we get that

$$\frac{1}{N^2} \sum_{y \in \mathbb{T}_N^2} H_{x/N}(y/N) = 1 + o_N(1),$$

which yields

$$\left| \frac{1}{N^2} \sum_{y \in \mathbb{T}_N^2} \lambda_i(\theta_y) \eta_y (1 - \eta_{y+e_i}) H_{x+e_i/N} \left(\frac{y+e_i}{N} \right) \right| \leq \lambda(1 - \rho_{x+e_i}^{N,H}) + o_N(1)$$

This, combined with the previous bound, yields that

$$|S_1| \leq o_N(1) + \sum_{\substack{x \in \mathbb{T}_N^2 \\ i=1,2}} \left[\frac{\phi_\delta''(\rho_{x+e_i}^{N,H})}{2} (\rho_{x+e_i}^{N,H} - \rho_x^{N,H})^2 + \frac{\lambda^2 \phi_\delta''(\rho_{x+e_i}^{N,H})}{2N^2} (1 - \rho_{x+e_i}^{N,H})^2 \right].$$

A similar bound can be achieved for S_2 , this time developing the difference $\phi_\delta'(\rho_{x+e_i}^{N,H}) - \phi_\delta'(\rho_x^{N,H})$ in $\rho_x^{N,H}$ instead of $\rho_{x+e_i}^{N,H}$,

$$|S_2| \leq o_N(1) + \sum_{\substack{x \in \mathbb{T}_N^2 \\ i=1,2}} \left[\frac{\phi_\delta''(\rho_x^{N,H})}{2} (\rho_{x+e_i}^{N,H} - \rho_x^{N,H})^2 + \frac{\lambda^2 \phi_\delta''(\rho_x^{N,H})}{2N^2} (1 - \rho_x^{N,H})^2 \right].$$

Combining these two bounds with identities (3.30) and (3.31), we obtain that

$$\begin{aligned} & \frac{1}{N} \sum_{x \in \mathbb{T}_N^2} \mathcal{L}^{\text{VA}} \phi_\delta(\rho_x^{N,H}) \\ & \leq \sum_{\substack{x \in \mathbb{T}_N^2 \\ i=1,2}} \left[\frac{\phi_\delta''(\rho_x^{N,H}) + \phi_\delta''(\rho_{x+e_i}^{N,H})}{2} (\rho_{x+e_i}^{N,H} - \rho_x^{N,H})^2 + \frac{\lambda^2 \phi_\delta''(\rho_x^{N,H})}{2N^2} (1 - \rho_x^{N,H})^2 \right] + o_N(1), \end{aligned}$$

where the $o_N(1)$ can be bounded by a vanishing sequence $(\tilde{c}_N)_N$ depending only on H and δ . One easily obtains that for any non-negative δ and any $\rho \in [0, 1]$,

$$(1 - \rho)^2 \phi_\delta''(\rho) \leq 2\phi_\delta(\rho),$$

thus concluding the proof of Lemma 3.16. \square

We are now ready to apply Gronwall's Lemma and complete the proof of Proposition 3.14. For that purpose, let us define

$$\Phi(t) = \mathbb{E}_{\mu_N^{\lambda,\beta}} \left(\frac{1}{N^2} \sum_{x \in \mathbb{T}_N^2} \phi_\delta(\rho_x^{N,H}(t)) \right).$$

according to the previous Lemmas 3.15, 3.16 and to equation (3.25), there exists a sequence $k_N = c_N + \tilde{c}_N$ depending only on δ and H , verifying

$$k_N \xrightarrow{N \rightarrow \infty} 0,$$

and such that

$$\partial_t \Phi(t) \leq 2\lambda^2 \Phi(t) + k_N.$$

Since ϕ_δ is bounded from below by $1/1 + \delta$, $\Phi(t)$ also is, and therefore

$$\partial_t \Phi(t) \leq (2\lambda^2 + k_N(1 + \delta)) \Phi(t).$$

Gronwall's Lemma therefore yields that for any non-negative t ,

$$\mathbb{E}_{\mu_N^{\lambda,\beta}} \left(\frac{1}{N^2} \sum_{x \in \mathbb{T}_N^2} \phi_\delta(\rho_x^{N,H}(t)) \right) \leq \mathbb{E}_{\mu_N^{\lambda,\beta}} \left(\frac{1}{N^2} \sum_{x \in \mathbb{T}_N^2} \phi_\delta(\rho_x^{N,H}(0)) \right) e^{(2\lambda^2 + k_N(1 + \delta))t},$$

where this time the right-hand side depends on the trajectory only through its initial state $\hat{\eta}(0)$.

Fix a small $\delta' > 0$. φ_δ being a non-decreasing function bounded from below by $1/1 + \delta$, one can write for any $\rho \in [0, 1]$

$$\phi_\delta(\rho) \geq \frac{1}{\delta + \delta'} \mathbb{1}_{\{\rho > 1 - \delta'\}} + \mathbb{1}_{\{\rho \leq 1 - \delta'\}} \frac{1}{1 + \delta} = \frac{1 - \delta'}{(1 + \delta)(\delta + \delta')} \mathbb{1}_{\{\rho > 1 - \delta'\}} + \frac{1}{1 + \delta}$$

We apply this decomposition to the left-hand side of the inequality above, to obtain that

$$(3.32) \quad \mathbb{E}_{\mu^N}^{\lambda, \beta} \left(\frac{1}{N^2} \sum_{x \in \mathbb{T}_N^2} \mathbb{1}_{\{\rho_x^{N, H}(t) > 1 - \delta'\}} \right) \leq \frac{(1 + \delta)(\delta + \delta')}{1 - \delta'} \left[\mathbb{E}_{\mu^N}^{\lambda, \beta} \left(\frac{1}{N^2} \sum_{x \in \mathbb{T}_N^2} \phi_\delta(\rho_x^{N, H}(0)) \right) e^{(2\lambda^2 + k_N(1 + \delta))t} - 1 \right].$$

Coming back to the definition (3.24) of $\rho_x^{N, H}$, for any smooth non-negative function H with integral equal to 1, taking the lim sup $N \rightarrow \infty$, we thus obtain from equation (3.32)

$$(3.33) \quad \limsup_{N \rightarrow \infty} \mathbb{E}_{\mu^N}^{\lambda, \beta} \left(\frac{1}{N^2} \sum_{x \in \mathbb{T}_N^2} \mathbb{1}_{\{\rho_x^{N, H}(t) > 1 - \delta'\}} \right) \leq \limsup_{N \rightarrow \infty} \frac{(1 + \delta)(\delta + \delta')}{1 - \delta'} \left[\mathbb{E}_{\mu^N}^{\lambda, \beta} \left(\frac{1}{N^2} \sum_{x \in \mathbb{T}_N^2} \phi_\delta(\rho_x^{N, H}(0)) \right) e^{2\lambda^2 t} - 1 \right].$$

Fix a small $\varepsilon > 0$, and let us denote for any $u, v \in \mathbb{T}^2$

$$H^\varepsilon(v) = \frac{1}{(2\varepsilon)^2} \mathbb{1}_{[-\varepsilon, +\varepsilon]^2}(v) \quad \text{and} \quad H_u^\varepsilon(v) = \frac{1}{(2\varepsilon)^2} \mathbb{1}_{[-\varepsilon, +\varepsilon]^2}(v - u).$$

Recalling that $\rho_{\varepsilon N}(t)$ is the empirical density in a box of size εN around the origin at time t , we can then write

$$\tau_x \rho_{\varepsilon N}(t) = \frac{(2\varepsilon N)^2}{(2\varepsilon N + 1)^2} \rho_x^{N, H^\varepsilon} = \rho_x^{N, H^\varepsilon} + o_N(1).$$

At this point, we want to apply equation (3.33) to $H = H^\varepsilon$, which is an indicator function, and thus need to be smoothed out. For that purpose, consider a sequence $(H_l^\varepsilon)_{l \in \mathbb{N}}$ of functions such that

- $\forall l \in \mathbb{N}, \forall u \in \mathbb{T}^2, H_l^\varepsilon(u) \geq 0$ and $\sup_{\mathbb{T}^2} H_l^\varepsilon = \sup_{\mathbb{T}^2} H^\varepsilon = 1/(2\varepsilon)^2$.
- $\forall l \in \mathbb{N}, H_l^\varepsilon \in C^1(\mathbb{T}^2)$ and $\int_{\mathbb{T}^2} H_l^\varepsilon(u) du = 1$.
- $H_l^\varepsilon(u) \neq H^\varepsilon(u) \Rightarrow \varepsilon - 1/l < \|u\|_\infty < \varepsilon + 1/l$.

The existence of such a sequence of functions is quite clear and is left to the reader. In particular, the last condition imposes that

$$I_l := \int_{\mathbb{T}^2} \mathbb{1}_{H_l^\varepsilon(u) \neq H^\varepsilon(u)} du \leq \frac{16\varepsilon}{l},$$

which is the area of the crown on which the two functions may differ. The sequence H_l^ε converges for any fixed ε towards H^ε in $L^1(\mathbb{T}^2)$. Furthermore, notice that for any $x \in \mathbb{T}_N^2$, since both the H_l^ε 's and H^ε are bounded by $1/(2\varepsilon)^2$,

$$\begin{aligned} \left| \rho_x^{N, H_l^\varepsilon} - \rho_x^{N, H^\varepsilon} \right| &\leq \frac{1}{N^2} \sum_{y \in \mathbb{T}_N^2} \eta_y \left| H_{l, x/N}^\varepsilon \left(\frac{y}{N} \right) - H_{x/N}^\varepsilon \left(\frac{y}{N} \right) \right| \\ &\leq \left(\frac{16\varepsilon}{l} + o_N(1) \right) (\|H_l^\varepsilon\|_\infty + \|H^\varepsilon\|_\infty) = \frac{8}{\varepsilon l} + o_N(1), \end{aligned}$$

where the last line represents the proportion of sites of the discrete torus in the crown around $u = x/N$ on which $H_{l, x/N}^\varepsilon$ and $H_{x/N}^\varepsilon$ can be different. The last observation yields that for any $x \in \mathbb{T}_N^2$, we can write

$$\left| \tau_x \rho_{\varepsilon N}(t) - \rho_x^{N, H_l^\varepsilon}(t) \right| \leq \frac{8}{\varepsilon l} + o_N(1),$$

where the $o_N(1)$ can be chosen independent of $\hat{\eta}$ and x . Fix $\varepsilon > 0$ and consider N_0 and l_0 such that for any $N \geq N_0$ and any $l \geq l_0$,

$$\left| \tau_x \rho_{\varepsilon N}(t) - \rho_x^{N, H_l^\varepsilon}(t) \right| \leq \frac{\delta'}{2}.$$

For any such pair l, N , we therefore also have

$$\mathbb{1}_{\{\tau_x \rho_{\varepsilon N}(t) > 1 - \delta'/2\}} \leq \mathbb{1}_{\{\rho_x^{N, H_l^\varepsilon}(t) > 1 - \delta'\}}.$$

For any l , by our assumptions, equation (3.33) holds for $H = H_l^\varepsilon$ for any positive δ and δ' . For any $l \geq l_0$, we can therefore write

$$\begin{aligned} \limsup_{N \rightarrow \infty} \mathbb{E}_{\mu^N}^{\lambda, \beta} \left(\frac{1}{N^2} \sum_{x \in \mathbb{T}_N^2} \mathbb{1}_{\{\tau_x \rho_{\varepsilon N}(t) > 1 - \delta'/2\}} \right) \\ \leq \limsup_{N \rightarrow \infty} \frac{(1 + \delta)(\delta + \delta')}{1 - \delta'} \left[\mathbb{E}_{\mu^N}^{\lambda, \beta} \left(\frac{1}{N^2} \sum_{x \in \mathbb{T}_N^2} \phi_\delta \left(\rho_x^{N, H_l^\varepsilon}(0) \right) \right) e^{2\lambda^2 t} - 1 \right]. \end{aligned}$$

Since $\delta > 0$, the dominated convergence theorem and the law of large number yield that right-hand side above is equal to

$$\frac{(1 + \delta)(\delta + \delta')}{1 - \delta'} \left[e^{2\lambda^2 t} \int_{\mathbb{T}^2} \phi_\delta(\zeta * H_l^\varepsilon(v)) dv - 1 \right],$$

where ζ is the initial density profile defined in assumption (2.7), and " $*$ " denotes the convolution on \mathbb{T}^2 . Since ζ is bounded away from 1 uniformly on \mathbb{T}^2 , $\zeta * H_l^\varepsilon$ is also bounded away from 1 uniformly in ε , and therefore

$$\phi_\delta(\zeta * H_l^\varepsilon(v)) \leq C^* < 1,$$

where $C^* = C^*(\hat{\zeta})$ is a constant which does not depend on l , ε , v or δ .

Letting now δ go to 0, we obtain that for any $\varepsilon > 0$ and any time t ,

$$\limsup_{N \rightarrow \infty} \mathbb{E}_{\mu^N}^{\lambda, \beta} \left(\frac{1}{N^2} \sum_{x \in \mathbb{T}_N^2} \mathbb{1}_{\{\tau_x \rho_{\varepsilon N}(t) > 1 - \delta'/2\}} \right) \leq \frac{\delta'}{1 - \delta'} (e^{2\lambda^2 t} C^* - 1),$$

which concludes the proof of Proposition 3.14 since we assumed $\delta' > 1/2$. \square

With the estimate stated in Proposition 3.14, we are ready to prove Proposition 3.12.

Proof of Proposition 3.12. — First notice that in order to prove (3.18), it is sufficient to prove it both for $F_{p,x}$ and $F'_{p,x}$ instead of $E_{p,x}^c$, where

$$F_{p,x} = \left\{ \sum_{y \in B_p(x)} \eta_y = |B_p(x)| \right\} \quad \text{and} \quad F'_{p,x} = \left\{ \sum_{y \in B_p(x)} \eta_y = |B_p(x)| - 1 \right\}.$$

We focus on the first case, the second is derived in the exact same fashion.

Unlike in [35], the spin blind process's macroscopic density does not evolve according to the heat equation because of the weak drift. However, thanks to the bound (3.14) on the entropy of the measure μ_t^N w.r.t. the reference measure μ_α^* and on the Dirichlet form of the density f_t^N , local equilibrium holds for the angle-blind process. As a consequence, the replacement Lemma 4.1 holds for functions independent of the angles (cf. for example [27], p77). One therefore obtains that to prove

$$(3.34) \quad \lim_{p \rightarrow \infty} \lim_{N \rightarrow \infty} \mathbb{E}_{\mu^N}^{\lambda, \beta} \left(\int_0^T \frac{1}{N^2} \sum_{x \in \mathbb{T}_N^2} \mathbb{1}_{F_{p,x}}(s) ds \right) = 0,$$

one can replace $\mathbb{1}_{F_{p,x}(s)}$ by its expectation under the product measure with parameter $\tau_x \rho_{\varepsilon N}(s)$, namely

$$\mathbb{E}_{\tau_x \rho_{\varepsilon N}(s)}(\mathbb{1}_{F_{p,x}}) = [\tau_x \rho_{\varepsilon N}(s)]^{p'},$$

where $p' = (2p + 1)^2$ is the number of sites in B_p .

To prove equation (3.34), it is therefore sufficient to prove that $\forall t \in [0, T]$,

$$(3.35) \quad \lim_{p' \rightarrow \infty} \limsup_{\varepsilon \rightarrow 0} \limsup_{N \rightarrow \infty} \mathbb{E}_{\mu^N}^{\lambda, \beta} \left(\frac{1}{N^2} \sum_{x \in \mathbb{T}_N^2} [\tau_x \rho_{\varepsilon N}(t)]^{p'} \right) = 0.$$

To prove the latter, since $\rho_{\varepsilon N}(t)$ is at most 1, one only has to write, as outlined in equation (3.22),

$$\mathbb{E}_{\mu^{\lambda,\beta}} \left(\frac{1}{N^2} \sum_{x \in \mathbb{T}_N^2} [\tau_x \rho_{\varepsilon N}(t)]^{p'} \right) \leq (1 - \delta)^{p'} + \mathbb{E}_{\mu^{\lambda,\beta}} \left(\frac{1}{N^2} \sum_{x \in \mathbb{T}_N^2} \mathbb{1}_{\{\tau_x \rho_{\varepsilon N}(t) > 1 - \delta\}} \right),$$

which holds for any positive δ .

For any fixed $\delta > 0$, the first term on the right-hand side vanishes as $p \rightarrow \infty$, whereas the second does not depend on p and we can therefore let $\delta \rightarrow 0$ after $N \rightarrow \infty$, then $\varepsilon \rightarrow 0$, then $p' \rightarrow \infty$. Since the right-hand side of equation (3.23) vanishes as $\delta' = 2\delta$ goes to 0, the left-hand side also does, and (3.35) holds for any t thanks to Proposition 3.14. This proves equation (3.34), and the equivalent proposition with $F'_{p,x}$ instead of $F_{p,x}$ is proved in the exact same fashion, thus concluding the proof of Proposition 3.12. \square

4. Law of large number for the spin process

4.1. Replacement Lemma. — *Our goal in this Section is to close the microscopic equations and to replace in the definition of the martingale $M^{H,N}$ introduced in (2.14) any cylinder (in the sense of Definition 2.1) function $g(\hat{\eta})$ by its spatial average $\mathbb{E}_{\hat{\rho}_{\varepsilon N}}(g)$, where $\hat{\rho}_{\varepsilon N}$ is the empirical angle measure over a small macroscopic box of size εN . We use this Section to introduce new useful notations. The proof of the main result of this Section, the Replacement Lemma 4.1, follows closely the usual strategy (c.f. Lemma 1.10 p.77 of [27]), however it requires several technical adaptations due to the nature of our canonical and grand canonical measure. In particular, we will need the topological setup and the various results obtained in Section 3.*

Consider a cylinder function $g \in \mathcal{C}$, and l a positive integer. Recall from (2.21) that $\langle g \rangle_0^l$ is the average of the translations of g over a box of side $2l + 1$ centered at the origin. Recall from equation (2.22) and Definition 3.1 that the empirical angle measure $\hat{\rho}_l$ over the box B_l of side $2l + 1$ is the measure on $[0, 2\pi[$

$$\hat{\rho}_l = \frac{1}{|B_l|} \sum_{x \in B_l} \eta_x \delta_{\theta_x}.$$

Define

$$(4.1) \quad \mathcal{V}^l(\hat{\eta}) = \langle g(\hat{\eta}) \rangle_0^l - \mathbb{E}_{\hat{\rho}_l}(g) \quad \text{and} \quad \mathcal{W}^l(\hat{\eta}) = g(\hat{\eta}) - \mathbb{E}_{\hat{\rho}_l}(g),$$

and for any smooth function $G \in C(\mathbb{T}^2)$, let

$$(4.2) \quad X^{l,N}(G, \hat{\eta}) = \frac{1}{N^2} \sum_{x \in \mathbb{T}_N^2} G(x/N) \tau_x \mathcal{W}^l.$$

We first state that under the measure of AEP, one can replace the average of g over a small macroscopic box by its expectation w.r.t. the canonical measure with angle measure $\hat{\rho}_{\varepsilon N}$.

Lemma 4.1 (Replacement Lemma). — *For every $\delta > 0$, we have with the notation (4.1)*

$$\limsup_{\varepsilon \rightarrow 0} \limsup_{N \rightarrow \infty} \mathbb{P}_{\mu^{\lambda,\beta}} \left[\int_0^T \frac{1}{N^2} \sum_{x \in \mathbb{T}_N^2} \tau_x |\mathcal{V}^{\varepsilon N}(\hat{\eta}(t))| dt > \delta \right] = 0.$$

The proof is postponed to subsection 4.2, and requires the control of the full clusters stated in Proposition 3.12. For now, we can deduce from this lemma the following result, which will allow us to replace in (2.20) the currents by their spatial averages.

Corollary 4.2. — *For every $\delta > 0$, and any continuous function*

$$G : [0, T] \times \mathbb{T}^2 \longrightarrow \mathbb{R} \\ (t, u) \longmapsto G_t(u) ,$$

we get with the notation (4.2)

$$\limsup_{\varepsilon \rightarrow 0} \limsup_{N \rightarrow \infty} \mathbb{P}_{\mu^N}^{\lambda, \beta} \left[\left| \int_0^T X^{\varepsilon N, N}(G_t, \widehat{\eta}(t)) dt \right| > \delta \right] = 0.$$

Proof of Corollary 4.2. — Recall that $\varepsilon \rightarrow 0$ after $N \rightarrow \infty$, which means that the smoothness of G allows us to replace in the limit $G(x/N)$ by its spatial average on a box of size ε , which is denoted by

$$G^{\varepsilon N}(x/N) := \frac{1}{(2N\varepsilon + 1)^2} \sum_{y \in B_{\varepsilon N}(x)} G(y/N).$$

More precisely, we can write, using notation (2.21) for the local averaging, and since g is a cylinder, hence bounded, function,

$$\begin{aligned} \limsup_{N \rightarrow \infty} \int_0^T \frac{1}{N^2} \sum_{x \in \mathbb{T}_N^2} G_t(x/N) \tau_x g \, dt &= \limsup_{\varepsilon \rightarrow 0} \limsup_{N \rightarrow \infty} \int_0^T \frac{1}{N^2} \sum_{x \in \mathbb{T}_N^2} G_t^{\varepsilon N}(x/N) \tau_x g \, dt \\ (4.3) \qquad \qquad \qquad &= \limsup_{\varepsilon \rightarrow 0} \limsup_{N \rightarrow \infty} \int_0^T \frac{1}{N^2} \sum_{y \in \mathbb{T}_N^2} G_t(y/N) \langle g \rangle_y^{\varepsilon N} \, dt, \end{aligned}$$

where the average $\langle g \rangle_y^{\varepsilon N}$ is defined in equation (2.21).

As a consequence, $\tau_y g$ can be replaced by its average $\langle g \rangle_y^{\varepsilon N}$. Note that

$$\mathcal{V}^{\varepsilon N}(\widehat{\eta}) = \mathcal{W}^{\varepsilon N}(\widehat{\eta}) + \langle g \rangle_y^{\varepsilon N} - g,$$

and that the replacement Lemma 4.1 implies in particular that for any bounded function $G \in C([0, T] \times \mathbb{T}^2)$

$$\limsup_{\varepsilon \rightarrow 0} \limsup_{N \rightarrow \infty} \mathbb{P}_{\mu^N}^{\lambda, \beta} \left[\left| \int_0^T \frac{1}{N^2} \sum_{x \in \mathbb{T}_N^2} G_t(x/N) \tau_x \mathcal{V}^{\varepsilon N}(\widehat{\eta}(t)) dt \right| > \delta \right] = 0.$$

Therefore, thanks to equality (4.3), Corollary 4.2 follows directly from Lemma 4.1. \square

4.2. Proof of the replacement Lemma. — In order to prove the replacement Lemma 4.1, we will need the two lemmas below. The first one states that the average of any cylinder function $\langle g(\widehat{\eta}) \rangle_0^l$ over a large microscopic box (a box of size l which tends to infinity after N) can be replaced by its expected value w.r.t. the canonical measure with parameter the empirical density $\mathbb{E}_{\widehat{\rho}_l}(g)$.

The second guarantees that the empirical angle measure does not vary much between a large microscopic box and a small macroscopic box. We state these two results, namely the one and two-blocks estimates, in a quite general setup, because they are necessary in several steps of the proof of the hydrodynamic limit.

Lemma 4.3 (one-block estimate). — Consider $\alpha \in]0, 1[$ and a density f w.r.t the translation invariant measure μ_α^* (cf. Definition 3.4) satisfying

i) There exists a constant K_0 such that for any N

$$H(f) \leq K_0 N^2 \quad \text{and} \quad D(f) \leq K_0.$$

ii)

$$(4.4) \qquad \lim_{p \rightarrow \infty} \lim_{N \rightarrow \infty} \mathbb{E}_\alpha^* \left(f \frac{1}{N^2} \sum_{x \in \mathbb{T}_N^2} \mathbb{1}_{E_{p,x}^c} \right) = 0.$$

Then, for any cylinder function g ,

$$\limsup_{l \rightarrow \infty} \limsup_{N \rightarrow \infty} \mathbb{E}_\alpha^* \left(f \frac{1}{N^2} \sum_{x \in \mathbb{T}_N^2} \tau_x \mathcal{V}^l \right) = 0,$$

where \mathcal{V}^l was defined in (4.1).

Lemma 4.4 (two-block estimate). — For any $\alpha \in]0, 1[$ and any density f satisfying conditions i) and ii) of Lemma 4.3,

$$\limsup_{l \rightarrow \infty} \limsup_{\varepsilon \rightarrow 0} \limsup_{N \rightarrow \infty} \sup_{y \in B_{\varepsilon N}} \mathbb{E}_\alpha^* \left(\frac{1}{N^2} \sum_{x \in \mathbb{T}_N^2} \left| \tau_{x+y} \widehat{\rho}_l - \tau_x \widehat{\rho}_{\varepsilon N} \right| f \right) = 0,$$

where $\tau_z \widehat{\rho}_k$ is the local empirical angle measure in the box of size k centered in z introduced in (2.22).

The proofs of these two lemmas will be presented resp. in Section 4.3 and 4.4. For now, let us show that they are sufficient to prove the replacement Lemma 4.1.

Proof of Lemma 4.1. — Lemma 4.1 follows from applying the two previous lemmas to the density

$$\bar{f}_T^N = \frac{1}{T} \int_0^T f_t^N dt,$$

where $f_t^N = d\mu_t^N / d\mu_\alpha^*$, defined in Section 3.2, is the density of the AEP at time t started from μ^N , and prove that Lemma 4.1 follows. Proposition (3.9) proved that \bar{f}_T^N satisfies condition i) of Lemma 4.3. Furthermore, \bar{f}_T^N also satisfies condition ii)

$$\lim_{p \rightarrow \infty} \lim_{N \rightarrow \infty} \mathbb{E}_\alpha^* \left(\bar{f}_T^N \frac{1}{N^2} \sum_{x \in \mathbb{T}_N^2} \mathbb{1}_{E_{p,x}^c} \right) = 0$$

thanks to Proposition 3.12, thus the one-block and two-blocks estimates apply to $f = \bar{f}_T^N$.

Now let us recall that we want to prove for any $\delta > 0$

$$\limsup_{\varepsilon \rightarrow 0} \limsup_{N \rightarrow \infty} \mathbb{P}_{\mu^N}^{\lambda, \beta} \left[\int_0^T \frac{1}{N^2} \sum_{x \in \mathbb{T}_N^2} \tau_x \left| \mathcal{V}^{\varepsilon N}(\widehat{\eta}(t)) \right| dt > \delta \right] = 0,$$

where

$$\mathcal{V}^{\varepsilon N}(\widehat{\eta}) = \langle g(\widehat{\eta}) \rangle_0^{\varepsilon N} - \mathbb{E}_{\widehat{\rho}_{\varepsilon N}}(g).$$

Thanks to the Markov inequality, it is sufficient to prove that

$$\limsup_{\varepsilon \rightarrow 0} \limsup_{N \rightarrow \infty} \mathbb{E}_{\mu^N}^{\lambda, \beta} \left[\int_0^T \frac{1}{N^2} \sum_{x \in \mathbb{T}_N^2} \tau_x \left| \mathcal{V}^{\varepsilon N}(\widehat{\eta}(t)) \right| dt \right] = 0.$$

We can now express the expectation above thanks to the mean density \bar{f}_T^N . Since T is fixed, to obtain the replacement Lemma it is enough to show that

$$(4.5) \quad \limsup_{\varepsilon \rightarrow 0} \limsup_{N \rightarrow \infty} \mathbb{E}_\alpha^* \left(\bar{f}_T^N \frac{1}{N^2} \sum_{x \in \mathbb{T}_N^2} \tau_x \left| \mathcal{V}^{\varepsilon N}(\widehat{\eta}) \right| \right) = 0.$$

For any function $\varphi(\cdot)$ on the torus \mathbb{T}_N^2 , recall that we denoted in (2.21) by $\langle \varphi(\cdot) \rangle_x^l$ the average of the function φ over a box centered in x of size l , and that $\tau_y \widehat{\rho}_l$ is the empirical angle measure in a box of size l centered in y defined in (2.22). Let us add and subtract

$$\left\langle \langle g(\widehat{\eta}) \rangle_0^l - \mathbb{E}_{\widehat{\rho}_l}(g) \right\rangle_0^{\varepsilon N} = \frac{1}{(2\varepsilon N + 1)^2} \sum_{x \in B_{\varepsilon N}} \left[\frac{1}{(2l + 1)^2} \sum_{|y-x| \leq l} \tau_y g - \mathbb{E}_{\tau_y \widehat{\rho}_l}(g) \right]$$

inside $\left| \mathcal{V}^{\varepsilon N}(\widehat{\eta}) \right|$. We can then write thanks to the triangular inequality

$$\left| \mathcal{V}^{\varepsilon N}(\widehat{\eta}) \right| \leq (\mathcal{Z}_1^{l, \varepsilon N} + \mathcal{Z}_2^{l, \varepsilon N} + \mathcal{Z}_3^{l, \varepsilon N})(\widehat{\eta}),$$

where

$$\mathcal{Z}_1^{l, \varepsilon N} = \left| \frac{1}{(2\varepsilon N + 1)^2} \sum_{x \in B_{\varepsilon N}} \left(\tau_x g - \frac{1}{(2l + 1)^2} \sum_{|y-x| \leq l} \tau_y g \right) \right|,$$

is the difference between g and its local average,

$$\mathcal{Z}_2^{l,\varepsilon N} = \frac{1}{(2\varepsilon N + 1)^2} \sum_{x \in B_{\varepsilon N}} \left| \mathbb{E}_{\tau_x \hat{\rho}_l}(g) - \frac{1}{(2l + 1)^2} \sum_{|y-x| \leq l} \tau_y g \right|,$$

is the difference between the local average of g and its expectation under the product measure with parameter the local angle measure $\hat{\rho}_l$, and

$$\mathcal{Z}_3^{l,\varepsilon N} = \frac{1}{(2\varepsilon N + 1)^2} \sum_{x \in B_{\varepsilon N}} | \mathbb{E}_{\tau_x \hat{\rho}_l}(g) - \mathbb{E}_{\tau_x \hat{\rho}_{\varepsilon N}}(g) |$$

is the difference between the expectations of g under the empirical microscopic and macroscopic angle measures $\hat{\rho}_l$ and $\hat{\rho}_{\varepsilon N}$.

Let us consider the first term, $N^{-2} \sum_x \tau_x \mathcal{Z}_1^{l,\varepsilon N}$. All the terms in $\mathcal{Z}_1^{l,\varepsilon N}$ corresponding to the x 's in $B_{\varepsilon N-l}$ vanish, since they appear exactly once in both parts of the sum. The number of remaining terms can be crudely bounded by $4\varepsilon Nl$, and each term takes the form $\tau_x g / (2\varepsilon N + 1)^2$. Hence, we have the upper bound

$$\mathbb{E}_\alpha^* \left(\bar{f}_T^N \frac{1}{N^2} \sum_{x \in \mathbb{T}_N^2} \tau_x \mathcal{Z}_1^{l,\varepsilon N} \right) \leq \frac{Kl}{\varepsilon N} \mathbb{E}_\alpha^* \left(\bar{f}_T^N \frac{1}{N^2} \sum_{x \in \mathbb{T}_N^2} \tau_x |g| \right).$$

Since g is a bounded function, this expression can be bounded from above by

$$\frac{Kl \|g\|_\infty}{\varepsilon N} \mathbb{E}_\alpha^* (\bar{f}_T^N) = C(l, \varepsilon, g) o_N(1),$$

which proves that

$$\limsup_{\varepsilon \rightarrow 0} \limsup_{N \rightarrow \infty} \mathbb{E}_\alpha^* \left(\frac{1}{N^2} \sum_{x \in \mathbb{T}_N^2} \tau_x \mathcal{Z}_1^{l,\varepsilon N} \bar{f}_T^N \right) = 0.$$

Now since

$$\sum_{x \in \mathbb{T}_N^2} \frac{1}{(2\varepsilon N + 1)^2} \sum_{y \in B_{\varepsilon N}(x)} \tau_y g = \sum_{x \in \mathbb{T}_N^2} \tau_x g,$$

the two following terms can respectively be rewritten as

$$(4.6) \quad \mathbb{E}_\alpha^* \left(\bar{f}_T^N \frac{1}{N^2} \sum_{x \in \mathbb{T}_N^2} \tau_x \mathcal{Z}_2^{l,\varepsilon N} \right) = \mathbb{E}_\alpha^* \left(\bar{f}_T^N \frac{1}{N^2} \sum_{x \in \mathbb{T}_N^2} \tau_x | \mathbb{E}_{\hat{\rho}_l}(g) - \langle g \rangle_0^l | \right),$$

and

$$(4.7) \quad \mathbb{E}_\alpha^* \left(\bar{f}_T^N \frac{1}{N^2} \sum_{x \in \mathbb{T}_N^2} \tau_x \mathcal{Z}_3^{l,\varepsilon N} \right) = \mathbb{E}_\alpha^* \left(\bar{f}_T^N \frac{1}{N^2} \sum_{x \in \mathbb{T}_N^2} \tau_x | \mathbb{E}_{\hat{\rho}_l}(g) - \mathbb{E}_{\hat{\rho}_{\varepsilon N}}(g) | \right).$$

The quantity (4.6) vanishes in the limit $N \rightarrow \infty$ then $l \rightarrow \infty$ thanks to the one-block estimate stated in Lemma 4.3.

Finally, according to Definition 3.2, (4.7) also vanishes thanks to the two-block estimate of Lemma 4.4 and the Lipschitz-continuity of the application

$$\Psi_g \quad : \quad (\mathcal{M}_1(\mathbb{S}), \|\cdot\|) \longrightarrow \mathbb{R} \\ \hat{\alpha} \quad \quad \quad \mapsto \mathbb{E}_{\hat{\alpha}}(g),$$

which was proved in Proposition B.2. The Replacement Lemma 4.1 thus follows from the one and two-blocks estimates. \square

In the next two Sections 4.3 and 4.4, we prove the one-block and two-block estimates. The strategy for these proofs follows closely these presented in [27], albeit it requires some adjustments due to the measure-valued nature of the parameter of the product measure $\mu_{\hat{\alpha}}$ and the necessity to control the full clusters.

4.3. Proof of Lemma 4.3 : The one-block estimate. — *The usual strategy to prove the one block estimate is to project the estimated quantity on sets with fixed number of particles, on which the density of f should be constant thanks to the bound on the Dirichlet form.*

To prove the one-block estimate, thanks to the translation invariance of μ_α^* , it is sufficient to control the limit as N goes to ∞ , then $l \rightarrow \infty$ of

$$\mathbb{E}_\alpha^* \left(f \cdot \frac{1}{N^2} \sum_{x \in \mathbb{T}_N^2} \tau_x \mathcal{V}^l \right) = \mathbb{E}_\alpha^* (\mathcal{V}^l \bar{f}),$$

where $\bar{f} = N^{-2} \sum_{\mathbb{T}_N^2} \tau_x f$ is the average over the periodic domain of the translations of the density f . Before doing so, we need to eliminate the configurations on which the box B_l is almost full. Notice that the average \mathcal{V}^l is bounded because g is a cylinder function. We can therefore write

$$\mathbb{E}_\alpha^* (\mathcal{V}^l \bar{f}) \leq \mathbb{E}_\alpha^* (\mathcal{V}^l \mathbb{1}_{E_l} \bar{f}) + \|\mathcal{V}^l\|_\infty \mathbb{E}_\alpha^* (\mathbb{1}_{E_l^c} \bar{f}),$$

where E_l is the event on which at least two sites are empty in B_l , defined after Equation (3.17), and E_l^c is its complementary event. The second term in the right-hand side vanishes by definition of \bar{f} , because f verifies (4.4), and it is therefore sufficient to prove that

$$\limsup_{l \rightarrow \infty} \limsup_{N \rightarrow \infty} \mathbb{E}_\alpha^* (\mathcal{V}^l \mathbb{1}_{E_l} \bar{f}) = 0.$$

Furthermore, the convexity of the Dirichlet form and the entropy yield that condition *i*) of the one-block estimate is also satisfied by \bar{f} . Since $\mathcal{V}^l \mathbb{1}_{E_l}$ only depends on $\hat{\eta}$ only through the $\hat{\eta}_x$'s in the cube B_{l+1} we can replace the density \bar{f} in the formula above by its conditional expectation \bar{f}_l , defined, for any configuration $\hat{\eta}'$ on B_{l+1} by

$$\bar{f}_l(\hat{\eta}') = \mathbb{E}_\alpha^* (\bar{f} \mid \hat{\eta}_x = \hat{\eta}'_x, x \in B_{l+1}).$$

For any function f depending only on spins in B_l let $\mathbb{E}_{\alpha,l}^*$ be the expectation with respect to the product measure μ_α^* over B_l . With the previous notations, and in order to prove the one-block estimate, it is sufficient to prove that

$$\limsup_{l \rightarrow \infty} \limsup_{N \rightarrow \infty} \mathbb{E}_{\alpha,l}^* (\mathcal{V}^l \mathbb{1}_{E_l} \bar{f}_l) \leq 0.$$

In order to proceed, we need to estimate the Dirichlet form and the entropy of \bar{f}_l thanks to that of f , and prove the following Lemma

Lemma 4.5. — *Regarding \bar{f}_l , we have the following bounds*

$$(4.8) \quad D_{l+1}(\bar{f}_l) \leq C(l)N^{-2} \quad \text{and} \quad H(\bar{f}_l) \leq C(l).$$

Proof of Lemma 4.5. —

Estimate on the Dirichlet form of \bar{f}_l - we denote by $\mathcal{L}_{x,y}$ the symmetric part of the exclusion generator corresponding to the transfer of a particle between x and y

$$\mathcal{L}_{x,y} f(\hat{\eta}) = (\eta_x - \eta_y) (f(\hat{\eta}^{y,x}) - f(\hat{\eta})),$$

and by $D^{x,y}$ the part of the Dirichlet form of the exclusion process corresponding to $\mathcal{L}_{x,y}$

$$D^{x,y}(f) = -\mathbb{E}_\alpha^* \left(\sqrt{f} \mathcal{L}_{x,y} \sqrt{f} \right).$$

With this notation, we have

$$D(f) = \sum_{|x-y|=1} D^{x,y}(f),$$

where D is the Dirichlet form introduced in equation (3.6). We denote in a similar fashion the Dirichlet form restricted to the box of size $l+1$ for any function h depending only on the spins in B_{l+1} by

$$D_{l+1}^{x,y}(h) = -\mathbb{E}_{\alpha,l+1}^* \left(\sqrt{h} \mathcal{L}_{x,y} \sqrt{h} \right).$$

Since the conditioning $f \mapsto f_l$ is an expectation, and since the Dirichlet elements $D_l^{x,y}$ are convex, the inequality

$$D_{l+1}^{x,y}(\bar{f}_l) \leq D^{x,y}(\bar{f})$$

follows from Jensen's inequality. We deduce from the previous inequality, by summing over all edges $(x, y) \in B_l$, thanks to the translation invariance of \bar{f} , that

$$D_{l+1}(\bar{f}_l) \leq \sum_{(x,y) \in B_l} D^{x,y}(\bar{f}) = 2l(2l+1) \sum_{j=1}^2 D^{0,e_j}(\bar{f}) = \frac{(2l+1)^2}{N^2} D(\bar{f}),$$

where D_{l+1} is the Dirichlet form of the process restricted to the particle transfers with both the start and end site in B_l . Up to this point, we have proved that for any function f such that $D(\bar{f}) \leq D(f) \leq K_0$, we have as wanted

$$(4.9) \quad D_{l+1}(\bar{f}_l) \leq C_1(l)N^{-2}.$$

Estimate on the entropy of \bar{f}_l - recall that we defined the entropy $H(f) = \mathbb{E}_\alpha^*(f \log f)$ and that we already established $H(\bar{f}) \leq K_0 N^2$. Let us partition \mathbb{T}_N^2 in $q := \lfloor N/(2l+3) \rfloor^2$ square boxes $B^1 := B_{l+1}(x_1), \dots, B^q := B_{l+1}(x_q)$, and B^{q+1} , which contains all the site that weren't part of any of the boxes. We can thus write

$$\mathbb{T}_N^2 = \bigsqcup_{i=1}^{q+1} B^i.$$

We denote by $\hat{\eta}^i$ the configuration restricted to B^i and by $\hat{\xi}^i$ the complementary configuration to $\hat{\eta}^i$. In other words, for any $i \in \llbracket 1, q+1 \rrbracket$, we split any configuration on the torus $\hat{\eta}$ into $\hat{\eta}^i$ and $\hat{\xi}^i$. We define for any $i \in \llbracket 1, q \rrbracket$ the densities on the $\hat{\eta}^i$'s

$$\bar{f}_l^i(\hat{\eta}^i) = \mathbb{E}_\alpha^* \left(\bar{f}(\hat{\eta}^i, \hat{\xi}^i) \mid \hat{\xi}^i \right).$$

Let us denote by φ the product density w.r.t. μ_α^* with the same marginals as \bar{f} , defined by

$$\varphi(\hat{\eta}) = \bar{f}_l^1(\hat{\eta}^1) \bar{f}_l^2(\hat{\eta}^2) \dots \bar{f}_l^{q+1}(\hat{\eta}^{q+1}),$$

elementary entropy computations yield that

$$H(\bar{f}) = H_\varphi(\bar{f}/\varphi) + \sum_{i=1}^{q+1} H(\bar{f}_l^i),$$

where $H_\varphi(f) = H(f\mu_\alpha^* \mid \varphi\mu_\alpha^*)$. Since by construction \bar{f} is translation invariant, for any $i = 1, \dots, q$, we can write $H(\bar{f}_l^i) = H(\bar{f}_l^1) = H(\bar{f}_l)$, therefore in particular, the previous bound also yields, thanks to the non-negativity of the entropy, that

$$H(\bar{f}) \geq qH(\bar{f}_l).$$

Since q is of order N^2/l^2 , this rewrites

$$(4.10) \quad H(\bar{f}_l) \leq \frac{K_0 N^2}{q} \leq C_2(l),$$

and proves equation (4.8). \square

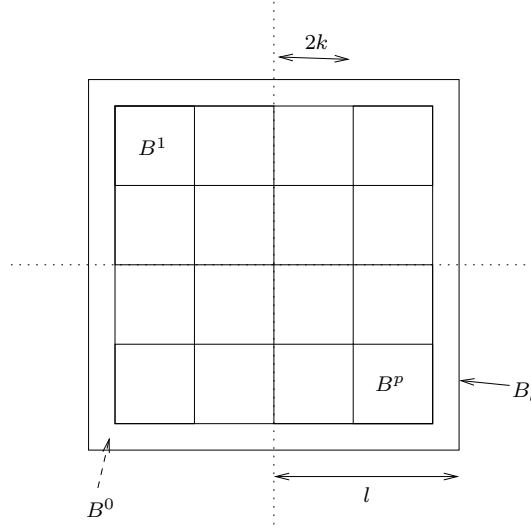
Thanks to Lemma (4.5) we now reduced the proof of Lemma 4.3 to

$$(4.11) \quad \limsup_{l \rightarrow \infty} \limsup_{N \rightarrow \infty} \sup_{\substack{D_{l+1}(f) \leq C_1(l)N^{-2} \\ H(f) \leq C_2(l)}} \mathbb{E}_{\alpha,l}^* (\mathcal{V}^l \mathbb{1}_{E_l} f) = 0.$$

Since the set of measures with density w.r.t. μ_α^* such that $H(f) \leq C_2(l)$ is weakly compact, to prove the one block estimate of Lemma 4.3, it is sufficient to show that

$$\limsup_{l \rightarrow \infty} \sup_{\substack{D_{l+1}(f)=0 \\ H(f) \leq C_2(l)}} \mathbb{E}_{\alpha,l}^* (\mathcal{V}^l \mathbb{1}_{E_l} f).$$

Before using the equivalence of ensembles, we need to project the limit above over all sets with fixed number of particles $\Sigma_l^{\hat{K}}$ defined in equation (3.3). Recall from Definition 3.6 the projection of the grand canonical measures on the sets with fixed number of particles. For any density f w.r.t. μ_α^* , such that $D_{l+1}(f) = 0$, thanks to Section 3.3 and the presence of the indicator function, f is constant on $\Sigma_l^{\hat{K}}$ for any $\hat{K} \in \mathcal{M}_e(\mathbb{S})$. We therefore denote, for any such f , by $f(\hat{K})$ the value of f on the set $\Sigma_l^{\hat{K}}$. Shortening


 FIGURE 3. Construction of the B^i

for the sum $\sum_{\widehat{K} \in \mathbb{K}_l} \sum_{K \leq (2l+1)^2} \int_{\theta_1 \in \mathbb{S}} \cdots \int_{\theta_K \in \mathbb{S}}$, we can write thanks to the indicator functions $\mathbb{1}_{E_l}$, for any f satisfying $D_{l+1}(f) = 0$,

$$(4.12) \quad \mathbb{E}_{\alpha, l}^* (\mathcal{V}^l \mathbb{1}_{E_l} f) = \int_{\widehat{K} \in \widetilde{\mathbb{K}}_l} f(\widehat{K}) \mathbb{E}_{l, \widehat{K}} (\mathcal{V}^l) d\mathbb{P}_\alpha^* \left(\widehat{\eta} \in \Sigma_l^{\widehat{K}} \right),$$

where $\widetilde{\mathbb{K}}$ was defined in (3.2).

Since $\int_{\widehat{K} \in \mathbb{K}_l} f(\widehat{K}) d\mathbb{P}_\alpha^* \left(\widehat{\eta} \in \Sigma_l^{\widehat{K}} \right) = 1$ and $\mathbb{E}_{l, \widehat{K}} (\mathcal{V}^l) \leq \sup_{\widehat{K} \in \widetilde{\mathbb{K}}_l} \mathbb{E}_{l, \widehat{K}} (\mathcal{V}^l)$, we obtain

$$\limsup_{l \rightarrow \infty} \limsup_{N \rightarrow \infty} \sup_{\substack{D_{l+1}(f) \leq C_2(l)N^{-2} \\ H(f) \leq C_2(l)}} \mathbb{E}_{\alpha, l}^* (\mathcal{V}^l \mathbb{1}_{E_l} f) \leq \limsup_{l \rightarrow \infty} \sup_{\widehat{K} \in \widetilde{\mathbb{K}}_l} \mathbb{E}_{l, \widehat{K}} (\mathcal{V}^l).$$

To conclude the proof of equation (4.11) and the one-block estimate, it is therefore sufficient to prove that the right-hand side above vanishes.

For any $\widehat{K} \in \mathbb{K}_l$, recall that $\widehat{\alpha}_{\widehat{K}} \in \mathcal{M}_1(\mathbb{S})$ is the angle measure

$$\widehat{\alpha}_{\widehat{K}} = \frac{1}{(2l+1)^2} \sum_{k=1}^K \delta_{\theta_k} \in \mathcal{M}_1(\mathbb{S}).$$

Since the expectation $\mathbb{E}_{l, \widehat{K}}$ conditions the process to having K particles with angles Θ_K in B_l , by definition of \mathcal{V}_l , we can write

$$\mathbb{E}_{l, \widehat{K}} (\mathcal{V}^l) = \mathbb{E}_{l, \widehat{K}} \left(\left| \mathbb{E}_{\widehat{\alpha}_{\widehat{K}}} (g) - \frac{1}{(2l+1)^2} \sum_{x \in B_l} \tau_x g \right| \right).$$

Let k be an integer that will go to infinity after l , and let us divide B_l according to Figure 3 into q boxes B^1, \dots, B^q , each of size $(2k+1)^2$, with $q = \lfloor \frac{2l+1}{2k+1} \rfloor^2$. Let $B^0 = B_l - \cup_{i=1}^q B^i$, the number of sites in B^0 is bounded for some universal constant C by Ckl .

With these notations, the triangular inequality yields

$$\begin{aligned} \mathbb{E}_{l, \widehat{K}} \left(\left| \mathbb{E}_{\widehat{\alpha}_{\widehat{K}}} (g) - \frac{1}{(2l+1)^2} \sum_{x \in B_l} \tau_x g \right| \right) &\leq \frac{|B^i|}{|B_l|} \sum_{i=0}^q \mathbb{E}_{l, \widehat{K}} \left(\left| \mathbb{E}_{\widehat{\alpha}_{\widehat{K}}} (g) - \frac{1}{|B^i|} \sum_{x \in B^i} \tau_x g \right| \right) \\ &= \frac{(2k+1)^2}{(2l+1)^2} \sum_{i=1}^q \mathbb{E}_{l, \widehat{K}} \left(\left| \mathbb{E}_{\widehat{\alpha}_{\widehat{K}}} (g) - \frac{1}{(2k+1)^2} \sum_{x \in B^i} \tau_x g \right| \right) \\ &\quad + O\left(\frac{k}{l}\right) \end{aligned}$$

Since the distribution of the quantity inside the expectation does not depend on i , the quantity above can be rewritten

$$\underbrace{q \frac{(2k+1)^2}{(2l+1)^2}}_{\rightarrow 1} \mathbb{E}_{l, \widehat{K}} \left(\left| \mathbb{E}_{\widehat{\alpha}_{\widehat{K}}}(g) - \frac{1}{(2k+1)^2} \sum_{x \in B_k} \tau_x g \right| \right) + O\left(\frac{k}{l}\right).$$

Because g is a cylinder function, and since k goes to ∞ after l , the quantity inside absolute values is a local function for any fixed k . Letting l go to ∞ , the equivalence of ensembles stated in Proposition B.1 allows us to replace the expectation above, uniformly in \widehat{K} , by

$$\mathbb{E}_{\widehat{\alpha}_{\widehat{K}}} \left(\left| \mathbb{E}_{\widehat{\alpha}_{\widehat{K}}}(g) - \frac{1}{(2k+1)^2} \sum_{x \in B_k} \tau_x g \right| \right).$$

Finally, since $\cup_{l \in \mathbb{N}} \{\widehat{\alpha}_{\widehat{K}}, \widehat{K} \in \widetilde{\mathbb{K}}_l\} \subset \mathcal{M}_1(\mathbb{S})$, where $\mathcal{M}_1(\mathbb{S})$ is the set of angle density profiles introduced in Definition 3.1,

$$\limsup_{l \rightarrow \infty} \sup_{\widehat{K} \in \mathbb{K}_l} \mathbb{E}_{l, \widehat{K}}(\mathcal{V}^l) \leq \sup_{\widehat{\alpha} \in \mathcal{M}_1(\mathbb{S})} \mathbb{E}_{\widehat{\alpha}} \left(\left| \mathbb{E}_{\widehat{\alpha}}(g) - \frac{1}{(2k+1)^2} \sum_{x \in B_k} \tau_x g \right| \right),$$

whose right-hand side vanishes as $k \rightarrow \infty$ by the law of large numbers, thus concluding the proof of the one-block estimate.

4.4. Proof of Lemma 4.4 : The two-block estimate. — *This Section follows the usual strategy for the two-block estimate, with small adaptations to the topological setup on the space of parameters $\mathcal{M}_1(\mathbb{S})$ introduced in Definition 3.2.*

Our goal is to show that for any density f satisfying conditions *i*) and *ii*) in Lemma 4.3,

$$\limsup_{l \rightarrow \infty} \limsup_{\varepsilon \rightarrow 0} \limsup_{N \rightarrow \infty} \sup_{y \in B_{\varepsilon N}} \mathbb{E}_{\alpha}^* \left(\frac{1}{N^2} \sum_{x \in \mathbb{T}_N^2} \left\| \tau_{x+y} \widehat{\rho}_l - \tau_x \widehat{\rho}_{\varepsilon N} \right\| \|f\| \right) = 0.$$

The previous expectation can be bounded from above by triangle inequality by

$$\mathbb{E}_{\alpha}^* \left(\frac{1}{N^2} \sum_{x \in \mathbb{T}_N^2} \frac{1}{(2N\varepsilon+1)^2} \left\| \sum_{z \in B_{N\varepsilon}} (\tau_{x+y} \widehat{\rho}_l - \tau_{x+z} \widehat{\rho}_l) \right\| \|f\| \right) + o(l/\varepsilon N).$$

In this way, we reduce the proof to comparing average densities in two boxes of size l distant of less than εN . Let us extract in the sum inside the integral the terms in z 's such that $|y-z| \leq 2l$, the number of such terms is of order at most $l/\varepsilon N$, and this quantity is bounded from above by

$$\mathbb{E}_{\alpha}^* \left(\frac{1}{N^2} \sum_{x \in \mathbb{T}_N^2} \frac{1}{(2N\varepsilon+1)^2} \left\| \sum_{\substack{z \in B_{N\varepsilon} \\ |y-z| > 2l}} (\tau_{x+y} \widehat{\rho}_l - \tau_{x+z} \widehat{\rho}_l) \right\| \|f\| \right) + o(l/\varepsilon N).$$

This separation was performed in order to obtain independent empirical measures $\tau_{x+y} \widehat{\rho}_l$ and $\tau_{x+z} \widehat{\rho}_l$. Regarding the expectation above, notice that we now only require to bound each term in the sum in z . In order to prove the two-block estimate, it is thus sufficient to show that for any $|y| > 2l$

$$\limsup_{l \rightarrow \infty} \limsup_{N \rightarrow \infty} \mathbb{E}_{\alpha}^* \left(\frac{1}{N^2} \sum_{x \in \mathbb{T}_N^2} \left\| \tau_{x+y} \widehat{\rho}_l - \tau_x \widehat{\rho}_l \right\| \|f\| \right) = 0.$$

As in the proof of the one-block estimate, the quantity above can be rewritten

$$\mathbb{E}_{\alpha}^* \left(\left\| \tau_y \widehat{\rho}_l - \widehat{\rho}_l \right\| \|f\| \right),$$

where $\bar{f} = N^{-2} \sum_{x \in \mathbb{T}_N^2} \tau_x f$ is the average of the density f . As in the one-block estimate, we can introduce the cutoff functions $\mathbb{1}_{E_l}$ in the expectation above, thanks to f satisfying (4.4) and $\left\| \tau_y \widehat{\rho}_l - \widehat{\rho}_l \right\|$ being a bounded quantity.

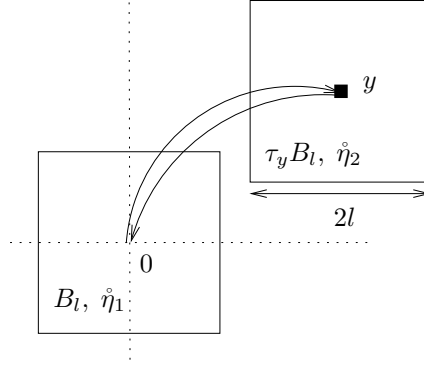


FIGURE 4

Let $B_{y,l}$ be the set $B_l \cup \tau_y B_l$, the quantity under the expectation above is measurable with respect to the spins in $B_{y,l}$. Before going further, let us denote, for any configuration $\hat{\eta} \in \Sigma_N$, $\hat{\eta}_1$ the configuration restricted to B_l and $\hat{\eta}_2$ the configuration restricted to $y+B_l = \tau_y B_l$. We also denote by $\hat{\eta}$ the configuration $(\hat{\eta}_1, \hat{\eta}_2)$ on $B_{y,l}$. Let us finally write $\mu_{y,l}$ for the projection of the product measure μ_α^* on $B_{y,l}$, and $\mathbb{E}_{y,l}$ the expectation with respect to the latter.

With these notations, the expectation above can be replaced by

$$\mathbb{E}_\alpha^* (\| \tau_y \hat{\rho}_l - \hat{\rho}_l \| \mathbb{1}_{E_l} \bar{f}_{y,l}),$$

where for any density f , $f_{y,l}$ is its conditional density with respect to the spins in $B_{y,l}$

$$f_{y,l}(\hat{\eta}) = \frac{1}{\mathbb{E}_{y,l}(\hat{\eta})} \mathbb{E}_\alpha^* (\mathbb{1}_{\{\hat{\eta}|_{B_{y,l}} = \hat{\eta}\}} \cdot f),$$

which is well-defined because the two boxes B_l and $\tau_y B_l$ are disjoint, thanks to the condition $|y| > 2l$.

As in the proof of the one-block estimate, we now need to estimate the Dirichlet form of $\bar{f}_{y,l}$ in terms of that of f , on which we have some control. For that purpose, let us introduce with the notations of the previous Section

$$\begin{aligned} D_{l,y}(h) &= -\mathbb{E}_{y,l}(h \cdot \mathcal{L}_{0,y} h) - \sum_{\substack{x,z \in B_l \\ |x-z|=1}} \mathbb{E}_{y,l}(h \cdot \mathcal{L}_{x,z} h) - \sum_{\substack{x,z \in y+B_l \\ |x-z|=1}} \mathbb{E}_{y,l}(h \cdot \mathcal{L}_{x,z} h) \\ (4.13) \quad &:= D_{l,y}^0 + D_{l,y}^1 + D_{l,y}^2 \end{aligned}$$

the Dirichlet form corresponding to particle transfers inside the two boxes, and allowing a particle to transfer from the center of one box to the center of the other, according to Figure 4. The work of the previous Section allows us to write that

$$-\mathbb{E}_{y,l}(\bar{f}_{y,l} \cdot \mathcal{L}_{x,z} \bar{f}_{y,l}) \leq D^{x,z}(\bar{f}),$$

which implies, if $D(f) \leq C_0$ that

$$(4.14) \quad D_{l,y}^1(\bar{f}_{y,l}) + D_{l,y}^2(\bar{f}_{y,l}) \leq 2C_0 \frac{(2l+1)^2}{N^2},$$

by translation invariance of μ_α and \bar{f} . We now only need to estimate the third term $D_{l,y}^0$. Let us consider a path $x_0 = 0, x_1, \dots, x_k = y$ of minimal length, such that $|x_i - x_{i+1}| = 1$ for any $i \in \{0, \dots, k-1\}$. For any such path, we have $k \leq 2N\varepsilon$, since $|y| \leq N\varepsilon$, and we can write

$$D_{l,y}^0(\bar{f}) \leq -\mathbb{E}_\alpha^*(\bar{f} \mathcal{L}_{0,y} \bar{f}) = \frac{1}{2} \mathbb{E}_\alpha^* [|\eta_0 - \eta_y| (\bar{f}(\hat{\eta}^{0,y}) - \bar{f}(\hat{\eta}))^2]$$

where $\hat{\eta}^{0,y}$ here is the state where the sites in 0 and y are inverted regardless of the occupation of either site. Since $\eta_0 - \eta_y$ vanishes whenever both sites 0 and y are occupied or both are empty, we can for example assume that $\eta_0 = 1$ and $\eta_y = 0$. For any configuration $\hat{\eta}^0 = \hat{\eta}$, we let for any $i \in \{1, \dots, k\}$

$$\hat{\eta}^i = (\hat{\eta}^{i-1})^{x_{i-1}, x_i}$$

Thanks to the elementary inequality

$$\left(\sum_{j=1}^k a_j \right)^2 \leq k \sum_{j=1}^k a_j^2,$$

and by definition of the sequence $(\widehat{\eta}^i)_{i=0\dots k}$ (which yields in particular $\widehat{\eta}^0 = \widehat{\eta}$ and $\widehat{\eta}^k = \widehat{\eta}^{0,y}$), the previous equation yields

$$\begin{aligned} \mathbb{E}_\alpha^* [\eta_0(1-\eta_y)(\bar{f}(\widehat{\eta}^{0,y}) - \bar{f}(\widehat{\eta}))^2] &\leq k \sum_{j=0}^{k-1} \mathbb{E}_\alpha^* [\eta_0(1-\eta_y)(\bar{f}(\widehat{\eta}^{j+1}) - \bar{f}(\widehat{\eta}^j))^2] \\ &= k \sum_{j=0}^{k-1} \mathbb{E}_\alpha^* \left[\eta_{x_i}^j (1 - \eta_{x_{i+1}}^j) \left[\bar{f}((\widehat{\eta}^j)^{x_i, x_{i+1}}) - \bar{f}(\widehat{\eta}^j) \right]^2 \right] \end{aligned}$$

Since μ_α^* is invariant through any change of variable $\widehat{\eta} \rightarrow \widehat{\eta}^i$, and since we can easily derive the same kind of inequalities with $\eta_y(1-\eta_0)$ instead of $\eta_0(1-\eta_y)$, we obtain that

$$(4.15) \quad D_l^{0,y}(\bar{f}) = k \sum_{i=0}^{k-1} D^{x_{i+1}, x_i}(\bar{f}) = k^2 N^{-2} D(f) \leq 4\varepsilon^2 D(f)$$

thanks to the translation invariance of \bar{f} . Finally, equations (4.13), (4.14) and (4.15) yield

$$(4.16) \quad D_{l,y}(\bar{f}_{y,l}) \leq 2C_0 \frac{(2l+1)^2}{N^2} + 4C_0 \varepsilon^2,$$

which vanishes as $N \rightarrow \infty$ then $\varepsilon \rightarrow 0$. A bound on the entropy analogous to (4.8) is straightforward to obtain. Finally, to prove the two-block estimate, as in the proof of the one-block estimate, we can get back to proving that for any density f on $B_{y,l}$ satisfying (4.16),

$$\limsup_{l \rightarrow \infty} \limsup_{\varepsilon \rightarrow 0} \limsup_{N \rightarrow \infty} \sup_{2l < |y| < \varepsilon N} \mathbb{E}_{y,l} (\| \tau_y \widehat{\rho}_l - \widehat{\rho}_l \| \mathbb{1}_{E_l} f) = 0.$$

Any such density is ultimately constant on any set with fixed number of particles and angles in the set $B_{y,l}$ with at least two empty sites. The proof of the two-blocks estimate is thus concluded in the exact same way as in the one-block estimate by projecting along these sets, and then using the equivalence of ensembles.

5. Preliminaries to the non-gradient method

The main focus of Sections 5 and 6 is the symmetric part of the displacement process, whose generator \mathcal{L} requires the non-gradient method. Before engaging in the proof of the non-gradient estimates, however, we regroup several results which will be needed throughout the proof.

5.1. An integration by parts formula in the context of particle systems. — *Considering the symmetric exclusion generator \mathcal{L} as a discrete Laplacian, throughout the proof, we are going to need an integration by parts formula in order to express the expectation of $\psi \cdot h$ in terms of the gradient of h and the "integral" $\nabla \mathcal{L}^{-1} \psi$ of ψ .*

We first extend the definition of the canonical measures given in Definition 3.6 to any domain $B \subset \mathbb{T}_N^2$. For that purpose, consider an integer $K \leq |B|$, and an orderless family $\{\theta_1, \dots, \theta_K\} \in \mathbb{S}^K$. Recall that we denote by \widehat{K} the pair $(K, \{\theta_1, \dots, \theta_K\})$, and we let $\mu_{B, \widehat{K}}$ be the measure such that the K particles with fixed angles $\theta_1, \dots, \theta_K$ are uniformly distributed in the domain B . If $B = B_l$ is the ball of radius l , this notation is shortened as $\mu_{l, \widehat{K}}$ in accord with Definition 3.6. The expectation w.r.t both of these measures is respectively denoted $\mathbb{E}_{B, \widehat{K}}$ and $\mathbb{E}_{l, \widehat{K}}$. We will, in a similar fashion, write

$$\mathcal{L}_B f(\widehat{\eta}) = \sum_{\substack{x, x+z \in B \\ |z|=1}} \eta_x (1 - \eta_{x+z}) (f(\widehat{\eta}^{x, x+z}) - f(\widehat{\eta})),$$

for the generator of the symmetric exclusion process restricted to B , shortened as \mathcal{L}_l if $B = B_l$.

Our focus from now on will be a class of local functions, depending only on sites within a domain B , and with mean 0 w.r.t all canonical measures $\mu_{B, \widehat{K}}$. When there are less than one empty site in the domain B , we require these functions to vanish in order to avoid classifying the irreducible subsets of Σ_N when there is only one empty site. For any cylinder function $\psi \in \mathcal{C}$, we will denote by s_ψ the smallest integer such that ψ only depends on sites in B_{s_ψ} , and recall that we already introduced in Definition 3.6 the sets \mathbb{K}_l and $\widetilde{\mathbb{K}}_l$. We now define

$$\widetilde{\mathcal{C}}_0 = \left\{ \psi \in \mathcal{C}, \mathbb{E}_{s_\psi, \widehat{K}}(\psi) = 0 \quad \forall \widehat{K} \in \widetilde{\mathbb{K}}_{s_\psi} \quad \text{and} \quad \psi|_{\Sigma_{\widehat{K}}} \equiv 0 \quad \forall \widehat{K} \in \mathbb{K}_{s_\psi} \setminus \widetilde{\mathbb{K}}_{s_\psi} \right\}.$$

In particular, any function $\psi \in \widetilde{\mathcal{C}}_0$ has mean zero w.r.t any canonical measure. Note that for any $\psi \in \widetilde{\mathcal{C}}_0$, and any $\widehat{\alpha} \in \mathcal{M}_1(\mathbb{S})$, conditioning w.r.t. the number of particles in B_{s_ψ} , we obtain in particular that $\mathbb{E}_{\widehat{\alpha}}(\psi) = 0$.

The purpose of the non-gradient method is to prove that in the space $\widetilde{\mathcal{C}}_0$ endowed with an H^{-1} discrete topology, any element can be expressed as a combination of the instantaneous currents, up to a perturbation of the form $\mathcal{L}\psi$ for some $\psi \in \widetilde{\mathcal{C}}_0$ (cf. Proposition 6.32). However, the crude definition of $\widetilde{\mathcal{C}}_0$ regarding the almost full configuration implies in particular that the instantaneous currents $j_i = \eta_0 - \eta_{e_i}$ and j_i^ω , defined in equation (2.17), are not in $\widetilde{\mathcal{C}}_0$.

For that purpose, we therefore consider the enlarged set

$$(5.1) \quad \mathcal{C}_0 = \widetilde{\mathcal{C}}_0 + \mathcal{J}^\omega,$$

where \mathcal{J}^ω is the linear span of the instantaneous currents due to the symmetric part of the generator, defined in Definition 2.8

$$(5.2) \quad \mathcal{J}^\omega = \{a j_1 + b j_2 + c j_1^\omega + d j_2^\omega, \quad a, b, c, d \in \mathbb{R}\}.$$

Note that in particular, since the symmetric exclusion process does not create particles, for any $\psi \in \mathcal{C}_0$, we also have $\mathcal{L}_{s_\psi} \psi \in \mathcal{C}_0$.

We now have all we need to state an integration by parts formula which will be useful later on in the proof of Theorem 6.1.

Lemma 5.1 (Integration by parts formula). — *Recall that we denoted in (3.4) by ∇_a the gradient along an edge a . Let $\psi \in \widetilde{\mathcal{C}}_0$ be a cylinder function, and $a \subset B_{s_\psi}$ an oriented edge in its domain. Then, ψ is in the range of the generator \mathcal{L}_{s_ψ} , and we can define the "primitive" $I_a(\psi)$ of ψ with respect to the gradient along the oriented edge a as*

$$I_a(\psi) = \frac{1}{2} \nabla_a (-\mathcal{L}_{s_\psi})^{-1} \psi.$$

Furthermore, for any $B \subset \mathbb{T}_N^2$ containing B_{s_ψ} , any $\widehat{K} = (K, (\theta_1, \dots, \theta_K))$ such that $K \leq |B|$ and $h \in L^2(\mu_{B, \widehat{K}})$, we have

$$(5.3) \quad \mathbb{E}_{B, \widehat{K}}(\psi \cdot h) = \sum_{a \subset B_{s_\psi}} \mathbb{E}_{B, \widehat{K}}(I_a(\psi) \cdot \nabla_a h).$$

This result is also true if $\mu_{B, \widehat{K}}$ is replaced by a grand canonical measure $\mu_{\widehat{\alpha}}$. Note that if $K = |B| - 1$ or $K = |B|$ the result is trivial because ψ vanishes.

Furthermore, this integration by parts formula can be extended to the whole \mathcal{C}_0 , setting

$$I_a(j_i^\omega) = \begin{cases} -\frac{1}{2} \eta_{a_1}^\omega (1 - \eta_{a_2}) & \text{if } (a_1, a_2) = (0, e_i) \\ \frac{1}{2} \eta_{a_1}^\omega (1 - \eta_{a_2}) & \text{if } (a_1, a_2) = (e_i, 0) \\ 0 & \text{else.} \end{cases}$$

and

$$I_a(j_i) = \begin{cases} -\frac{1}{2} \eta_{a_1} (1 - \eta_{a_2}) & \text{if } (a_1, a_2) = (0, e_i) \\ \frac{1}{2} \eta_{a_1} (1 - \eta_{a_2}) & \text{if } (a_1, a_2) = (e_i, 0) \\ 0 & \text{else.} \end{cases}.$$

Proof of Lemma 5.1. — The proof of the previous result is quite elementary. Fix a function $\psi \in \tilde{\mathcal{C}}_0$, to prove the integration by parts formula, we first show that ψ is in the range of \mathcal{L}_{s_ψ} , by building for any \widehat{K} a function $\varphi_{\widehat{K}}$ on $\Sigma_{\widehat{K}}^{s_\psi}$, verifying $\mathcal{L}_{s_\psi} \varphi_{\widehat{K}} = \psi|_{\Sigma_{\widehat{K}}^{s_\psi}}$. This result is well-known for the color-blind exclusion process, but in our case where each particle has an angle, the canonical measures take an unusual form, and we prove it for the sake of exhaustivity.

Consider the vector space $E_{\widehat{K}} = \mathcal{F}(\Sigma_{\widehat{K}}^{s_\psi}, \mathbb{R})$ of real-valued functions on $\Sigma_{\widehat{K}}^{s_\psi}$. The generator \mathcal{L}_{s_ψ} can then be seen as a linear application

$$\mathcal{L}_{s_\psi} : E_{\widehat{K}} \longrightarrow E_{\widehat{K}} \\ \varphi \longmapsto \mathcal{L}_{s_\psi} \varphi .$$

Consider $\varphi \in \text{Ker}_{E_{\widehat{K}}}(\mathcal{L}_{s_\psi})$, we can write in particular that

$$\mathbb{E}_{B_{s_\psi}, \widehat{K}}(\varphi \mathcal{L}_{s_\psi} \varphi) = -\frac{1}{2} \mathbb{E}_{B_{s_\psi}, \widehat{K}} \left(\sum_{\substack{x, z \in B_{s_\psi} \\ |z-x|=1}} \eta_x (1 - \eta_z) (\varphi(\widehat{\eta}^{x,z}) - \varphi(\widehat{\eta}))^2 \right) = 0,$$

therefore φ is invariant under the allowed jump of a particle along any edge in B_{s_ψ} . Assuming now that $\widehat{K} \in \tilde{\mathbb{K}}_{s_\psi}$, (cf. Definition 3.6) this means that any function $\varphi \in \text{Ker}_{E_{\widehat{K}}}(\mathcal{L}_{s_\psi})$ must be a constant function, because $\Sigma_{\widehat{K}}^{s_\psi}$ is then irreducible w.r.t. the exclusion dynamics in B_{s_ψ} , according to Section 3.3. Since any constant function is trivially in $\text{Ker}_{E_{\widehat{K}}}(\mathcal{L}_{s_\psi})$, we finally obtain that $\text{Dim}(\text{Ker}_{E_{\widehat{K}}}(\mathcal{L}_{s_\psi})) = 1$, and elementary algebra yields

$$\{\varphi \in E_{\widehat{K}}, \mathbb{E}_{B_{s_\psi}, \widehat{K}}(\varphi) = 0\} = \text{Im}_{E_{\widehat{K}}}(\mathcal{L}_{s_\psi}).$$

Let us now get back to our function $\psi \in \tilde{\mathcal{C}}_0$, by definition of $\tilde{\mathcal{C}}_0$, for any $\widehat{K} \in \tilde{\mathbb{K}}_{s_\psi}$, $\psi|_{\Sigma_{\widehat{K}}^{s_\psi}} \in F_{\widehat{K}}$, and there exists a family of functions $(\varphi_{\widehat{K}})_{\widehat{K} \in \tilde{\mathbb{K}}}$ such that $\varphi_{\widehat{K}} : \Sigma_{\widehat{K}}^{s_\psi} \rightarrow \mathbb{R}$,

$$\mathcal{L}_{s_\psi} \varphi_{\widehat{K}} = \psi|_{\Sigma_{\widehat{K}}^{s_\psi}} .$$

Since ψ vanishes when B_{s_ψ} has one or less empty site, we also let $\varphi_{\widehat{K}} = 0$ for any $\widehat{K} \in \mathbb{K}_{s_\psi} \setminus \tilde{\mathbb{K}}_{s_\psi}$. For any configuration $\widehat{\eta}$ on B_{s_ψ} with \widehat{K} particles, we now define $\varphi^*(\widehat{\eta}) = \varphi_{\widehat{K}}(\widehat{\eta})$, and we have

$$\psi = \mathcal{L}_{s_\psi} \varphi^* ,$$

which proves that any function $\psi \in \tilde{\mathcal{C}}_0$ is in the range of \mathcal{L}_{s_ψ} .

We get back to the proof of the integration by parts formula, since we can now write $\psi = \mathcal{L}_{s_\psi} \mathcal{L}_{s_\psi}^{-1} \psi$, where $\mathcal{L}_{s_\psi}^{-1} \psi = \varphi^*$, and

$$\begin{aligned} \mathbb{E}_{B, \widehat{K}}(h \cdot \psi) &= \mathbb{E}_{B, \widehat{K}}(h \cdot \mathcal{L}_{s_\psi} \mathcal{L}_{s_\psi}^{-1} \psi) \\ &= -\frac{1}{2} \sum_{a \subset B_\psi} \mathbb{E}_{B, \widehat{K}}(\nabla_a \mathcal{L}_{s_\psi}^{-1} \psi \cdot \nabla_a h) \\ &= \sum_{a \subset B_\psi} \mathbb{E}_{B, \widehat{K}}(I_a(\psi) \cdot \nabla_a h) \end{aligned}$$

which proves identity (5.3). The same is obviously true when the canonical measure is replaced by a grand canonical measure $\mu_{\widehat{\alpha}}$ for some couple of densities $\widehat{\alpha}$, since we only used the invariance of the measure w.r.t the generator \mathcal{L} , which concludes the proof of the integration by parts formula on $\tilde{\mathcal{C}}_0$.

Furthermore, the extension to \mathcal{C}_0 follows immediately from a simple change of variable $\widehat{\eta} \mapsto \widehat{\eta}^{0, e_i}$. \square

5.2. Spectral gap for the symmetric exclusion spin process. — *As investigated in Section 3.3, the mixing time for the exclusion dynamics on configurations with angles is not of order N^2 . We therefore cannot consider a general class of functions as dependent on the θ'_x s as wanted, and need to restrict to a subclass of functions with low levels of correlations between particle angles, but large enough for the non-gradient method to apply. In this Section, we prove that the spectral gap of the symmetric exclusion process on this class of functions is of order N^{-2} . This result is derived by Quastel in [35]. We present*

here a more detailed and slightly modified version. It states that once restricted to a convenient class of semi angle-blind functions, the spin exclusion process has a spectral gap of order N^{-2} .

Throughout this Section, we consider the square domain

$$A_N = \llbracket 0, N \rrbracket^2$$

with *closed boundaries*, and denote by $\mu_{\hat{\alpha}}^{A_N}$ the product measure with angle measure $\hat{\alpha} \in \mathcal{M}_1(\mathbb{S})$. Recall that \mathcal{S} was introduced in Definition 2.1 as the set of cylinder angle-blind functions, and that ω is the angular dependence of our test function H (cf. equation (2.15)), we define the subspace of \mathcal{S}

(5.4)

$$T_0^\omega = \left\{ f \in L^2(\mu_{\hat{\alpha}}^{A_N}), f(\tilde{\eta}) = \varphi(\eta) + \sum_{x \in A_N} (c_1 \eta_x^\omega + c_2 \eta_x) \psi_x(\eta), c_1, c_2 \in \mathbb{R}, \text{ and } \psi_x \in \mathcal{S}, \forall x \in \mathbb{Z}^2, \varphi \in \mathcal{S} \right\}$$

Remark 5.2. — The purpose of the non-gradient method is to replace the instantaneous current j_i^ω introduced in equation (2.17) by a gradient quantity $D(\eta_0 - \eta_{e_i}) + d(\eta_0^\omega - \eta_{e_i}^\omega)$, and the class T_0^ω above is the simplest set of functions, stable by \mathcal{L} and containing both the currents and the gradients.

Remark 5.3. — One might expect, that it is not the biggest class of functions on which a spectral gap of order N^{-2} can be obtained. Indeed, we believe that introducing some finite numbered correlations between spins might not alter too much the order of the spectral gap. It is not, however, the purpose of this Section, and this remark is therefore left as a conjecture at this point.

Proposition 5.4 (Estimate on the spectral gap for the spin-dependent exclusion process)

For any angle measure $\hat{\alpha} \in \mathcal{M}_1(\mathbb{S})$ such that $0 < \alpha < 1$, there exists a constant $C = C(\alpha)$ such that for any functions $f \in T_0^\omega$ with $\mathbb{E}_{\hat{\alpha}}(f) = 0$,

$$\mathbb{E}_{\hat{\alpha}}(f^2) \leq CN^2 \mathcal{D}(f),$$

where $\mathcal{D}(f) = \mathcal{D}_{\hat{\alpha}}(f) = -\mathbb{E}_{\hat{\alpha}}(f\mathcal{L}f)$ is the Dirichlet form relative to the symmetric part of the exclusion generator on the non-periodic domain A_N .

In order to prove this estimate, we need the following lemma, which states that the angle-blind process has a spectral gap of order N^{-2} .

Lemma 5.5 (Spectral gap for the angle-blind exclusion process)

For any angle measure $\hat{\alpha} \in \mathcal{M}_1(\mathbb{S})$ such that $0 < \alpha < 1$, there exists a constant $C = C(\alpha)$ such that for any angle-blind function $\psi \in \mathcal{S}$ with $\mathbb{E}_{\hat{\alpha}}(\psi) = 0$

$$\mathbb{E}_{\hat{\alpha}}(\psi^2) \leq CN^2 \mathcal{D}(\psi).$$

The proof of this result can be found in [27]. Before deriving Proposition 5.4, we define for any site $x \in \mathbb{Z}^2$

$$(5.5) \quad \tilde{\eta}_x = \eta_x^\omega - \mathbb{E}_{\hat{\alpha}}(\omega) \eta_x = [\omega(\theta_x) - \mathbb{E}_{\hat{\alpha}}(\omega)] \eta_x,$$

where we shortened $\mathbb{E}_{\hat{\alpha}}(\omega)$ for $\mathbb{E}_{\hat{\alpha}}(\omega(\theta_0))$. This new occupation variable plays a particular role in the proof of the spectral gap, and we state in the following Lemma two useful identities regarding $\tilde{\eta}$, which will be used repeatedly later on.

Lemma 5.6 (Properties of $\tilde{\eta}$). — let $x \neq y \in A_N$ be two distinct sites, and consider an angle-blind function $\psi \in \mathcal{S}$, we have

$$\mathbb{E}_{\hat{\alpha}}(\tilde{\eta}_x \psi) = 0 \quad \text{and} \quad \mathbb{E}_{\hat{\alpha}}(\tilde{\eta}_x \tilde{\eta}_y \psi) = 0.$$

Furthermore, assuming that $\psi = \eta_x \psi$ (i.e. that ψ vanishes when the site x is empty), we also have

$$\mathbb{E}_{\hat{\alpha}}(\tilde{\eta}_x^2 \psi) = \overline{C}(\hat{\alpha}) \mathbb{E}_{\hat{\alpha}}(\psi),$$

where $\overline{C}(\hat{\alpha}) = \text{Var}_{\hat{\alpha}}(\omega(\theta_0))$.

The proof of Lemma 5.6 is immediate and omitted, since under $\mu_{\hat{\alpha}}$, and for any angle-blind function $\psi \in \mathcal{S}$ and any function Φ on \mathbb{S} , we have

$$\mathbb{E}_{\hat{\alpha}}(\eta_x^\Phi \psi) = \mathbb{E}_{\hat{\alpha}}(\Phi) \mathbb{E}_{\hat{\alpha}}(\eta_x \psi).$$

We get back to the proof of the spectral gap of the spin process.

Proof of Proposition 5.4. — First note that we can decompose any function $f = f(c_1, c_2)$ in T_0^ω as $f = \tilde{f} + f_{sb}$, where

$$\tilde{f} = c_1 \sum_{x \in A_N} \tilde{\eta}_x \psi_x(\eta) \quad \text{and} \quad f_{sb} = (c_1 \mathbb{E}_{\hat{\alpha}}(\omega) + c_2) \sum_{x \in A_N} \eta_x \psi_x(\eta).$$

We first show that \tilde{f} and f_{sb} are orthogonal in $L^2(\mu_{\hat{\alpha}})$. Considering a function $f \in T_0^\omega$ with mean zero and thanks to the decomposition above,

$$\mathbb{E}_{\hat{\alpha}}(\tilde{f} f_{sb}) = C \sum_{x \in A_N} \mathbb{E}_{\hat{\alpha}} \left(\tilde{\eta}_x \left[\sum_{y \in A_N} \eta_y \psi_x \psi_y \right] \right)$$

vanishes thanks to the first identity in Lemma 5.6 and

$$\mathbb{E}_{\hat{\alpha}}(f^2) = \mathbb{E}_{\hat{\alpha}}(\tilde{f}^2) + \mathbb{E}_{\hat{\alpha}}(f_{sb}^2).$$

With the same reasoning, it is not hard to see that $\mathbb{E}_{\hat{\alpha}}(f_{sb} \mathcal{L} \tilde{f}) = \mathbb{E}_{\hat{\alpha}}(\tilde{f} \mathcal{L} f_{sb}) = 0$, thus we can also write

$$\mathbb{E}_{\hat{\alpha}}(f \mathcal{L} f) = \mathbb{E}_{\hat{\alpha}}(\tilde{f} \mathcal{L} \tilde{f}) + \mathbb{E}_{\hat{\alpha}}(f_{sb} \mathcal{L} f_{sb}),$$

i.e $\mathcal{D}(f) = \mathcal{D}(\tilde{f}) + \mathcal{D}(f_{sb})$. Thanks to Lemma 5.5, to get Proposition 5.4, it is therefore sufficient to show the result for any function $f = \sum_{x \in A_N} \tilde{\eta}_x \psi_x(\eta)$. We can also assume without loss of generality that for any x , $\psi_x \mathbb{1}_{\eta_x=0} = 0$, since when the site is empty the corresponding contribution vanishes. For any such f ,

$$\mathbb{E}_{\hat{\alpha}}(f^2) = \sum_{x, y \in A_N} \mathbb{E}_{\hat{\alpha}}(\tilde{\eta}_x \tilde{\eta}_y \psi_x \psi_y).$$

Thanks to Lemma 5.6 and to our assumption on the ψ_x 's, the expectation above vanishes whenever $x \neq y$. Furthermore,

$$\mathbb{E}_{\hat{\alpha}}(\tilde{\eta}_x^2 \psi_x^2) = \bar{C}(\hat{\alpha}) \mathbb{E}_{\hat{\alpha}}(\psi_x^2),$$

therefore

$$(5.6) \quad \mathbb{E}_{\hat{\alpha}}(f^2) = \bar{C}(\hat{\alpha}) \sum_{x \in A_N} \mathbb{E}_{\hat{\alpha}}(\psi_x^2).$$

We now turn our attention to $\mathbb{E}_{\hat{\alpha}}(f \mathcal{L} f)$. For any site x and any angle-blind function $\psi \in \mathcal{S}$, we can write

$$\mathcal{L}(\tilde{\eta}_x \psi) = \tilde{\eta}_x \mathcal{L} \psi + \sum_{|z|=1} \mathbb{1}_{\{\eta_x \eta_{x+z}=0\}} \psi(\hat{\eta}^{x, x+z}) (\tilde{\eta}_x^{x, x+z} - \tilde{\eta}_x).$$

If we assume that ψ vanishes when the site x is empty,

$$\mathbb{1}_{\{\eta_x \eta_{x+z}=0\}} \psi(\hat{\eta}^{x, x+z}) = \mathbb{1}_{\{\eta_x=0, \eta_{x+z}=1\}} \psi(\hat{\eta}^{x, x+z}),$$

and the quantity above can be rewritten

$$\mathcal{L}(\tilde{\eta}_x \psi) = \tilde{\eta}_x \mathcal{L} \psi + \bar{h}(\psi, x, \cdot),$$

where we denoted

$$\bar{h}(\psi, x, \eta) = \sum_{|z|=1} \mathbb{1}_{\{\eta_x=0, \eta_{x+z}=1\}} \psi(\hat{\eta}^{x, x+z}) \tilde{\eta}_{x+z} = \sum_{|z|=1} \tilde{\eta}_{x+z} (1 - \eta_x) \psi(\hat{\eta}^{x, x+z}).$$

It follows that

$$-\mathbb{E}_{\hat{\alpha}}(f \mathcal{L} f) = \sum_{x, y \in A_N} \left[-\mathbb{E}_{\hat{\alpha}}(\tilde{\eta}_x \tilde{\eta}_y \psi_x \mathcal{L} \psi_y) - \mathbb{E}_{\hat{\alpha}}(\tilde{\eta}_x \psi_x \bar{h}(\psi_y, y, \cdot)) \right].$$

Since $\psi_x \mathcal{L} \psi_y$ is still an angle-blind function, the first term in the right-hand side above vanishes as soon as $x \neq y$, whereas if $x = y$, it is equal by Lemma 5.6 to

$$-\mathbb{E}_{\hat{\alpha}}(\tilde{\eta}_x^2 \psi_x \mathcal{L} \psi_x) = \bar{C}(\hat{\alpha}) \mathcal{D}(\psi_x),$$

because $\psi_x \mathcal{L} \psi_x$ still vanishes whenever the site x is unoccupied. Furthermore, by definition of \bar{h} ,

$$\mathbb{E}_{\hat{\alpha}}(\tilde{\eta}_x \psi_x \bar{h}(\psi_y, y, \cdot)) = \sum_{|z|=1} \mathbb{E}_{\hat{\alpha}}\left(\tilde{\eta}_x \tilde{\eta}_{y+z} \overbrace{(1 - \eta_y) \psi_x(\hat{\eta}) \psi_y(\hat{\eta}^{y, y+z})}^{\text{function of } \eta}\right),$$

and as before, this expectation vanishes as soon as $x \neq y + z$. The only remaining terms are those for which y and x are neighbors, therefore

$$\begin{aligned} \sum_{x, y \in A_N} \mathbb{E}_{\hat{\alpha}}(\tilde{\eta}_x \psi_x \bar{h}(\psi_y, y, \cdot)) &= \sum_{x \in A_N, |z|=1} \mathbb{E}_{\hat{\alpha}}(\tilde{\eta}_x^2 (1 - \eta_{x+z}) \psi_x \psi_{x+z}(\hat{\eta}^{x, x+z})) \\ (5.7) \qquad \qquad \qquad &= \bar{C}(\hat{\alpha}) \sum_{x \in A_N, |z|=1} \mathbb{E}_{\hat{\alpha}}((1 - \eta_{x+z}) \psi_x \psi_{x+z}(\hat{\eta}^{x+z, x})). \end{aligned}$$

Since $\mathcal{D}(\phi) = -\mathbb{E}_{\hat{\alpha}}(\phi \mathcal{L} \phi)$, up to this point we have obtained that

$$(5.8) \qquad \mathcal{D}(f) = \bar{C}(\hat{\alpha}) \sum_{x \in A_N} \left[\mathcal{D}(\psi_x) - \sum_{|z|=1} \mathbb{E}_{\hat{\alpha}}((1 - \eta_{x+z}) \psi_x \psi_{x+z}(\hat{\eta}^{x, x+z})) \right].$$

Let us introduce the Dirichlet form locally cropped in x

$$(5.9) \qquad \mathcal{D}_x^*(\psi) = \frac{1}{2} \mathbb{E}_{\hat{\alpha}} \left(\sum_{\substack{y \in A_N, |z|=1 \\ y, y+z \neq x}} \eta_y (1 - \eta_{y+z}) (\psi(\hat{\eta}^{y, y+z}) - \psi(\hat{\eta}))^2 \right),$$

which forbids jumps to and from the site x . Since ψ_x vanishes whenever the site x is empty, the quantity $\eta_x (1 - \eta_{x+z}) (\psi_x(\hat{\eta}^{y, y+z}) - \psi_x(\hat{\eta}))^2$ is also equal to $(1 - \eta_{x+z}) \psi_x(\hat{\eta})^2$, and a similar argument with ψ_{x+z} allows us to rewrite equation (5.8)

$$\mathcal{D}(f) = \bar{C}(\hat{\alpha}) \sum_{x \in A_N} \left[\mathcal{D}_x^*(\psi_x) + \frac{1}{2} \sum_{|z|=1} \mathbb{E}_{\hat{\alpha}}((1 - \eta_{x+z}) [\psi_{x+z}(\hat{\eta}^{x, x+z}) - \psi_x(\hat{\eta})]^2) \right].$$

To obtain Theorem 5.4, thanks to the identity above combined to (5.6) it is enough to prove that for some constant C

$$(5.10) \qquad \sum_{x \in A_N} \mathbb{E}_{\hat{\alpha}}(\psi_x^2) \leq CN^2 \sum_{x \in A_N} \left[\mathcal{D}_x^*(\psi_x) + \sum_{|z|=1} \mathbb{E}_{\hat{\alpha}}((1 - \eta_{x+z}) [\psi_{x+z}(\hat{\eta}^{x, x+z}) - \psi_x]^2) \right].$$

Lemma 5.7 (Spectral gap for the exclusion process with a frozen site)

Let us consider a fixed site $x \in A_N$. For any $\hat{\alpha} \in \mathcal{M}_1(\mathcal{S})$ such that $0 < \alpha < 1$, there exists a constant $C = C(\alpha)$ such that for any angle-blind function $\psi \in \mathcal{S}$ with $\mathbb{E}_{\hat{\alpha}}(\psi | \eta_x = 1) = 0$

$$\mathbb{E}_{\hat{\alpha}}(\psi^2 | \eta_x = 1) \leq CN^2 \mathcal{D}_x^*(\psi | \eta_x = 1),$$

where the conditioned Dirichlet form is defined by the conditional expectation $\mathbb{E}_{\hat{\alpha}}(\cdot | \eta_x = 1)$ instead of $\mathbb{E}_{\hat{\alpha}}$,

$$\mathcal{D}_x^*(\psi | \eta_x = 1) = -\mathbb{E}_{\hat{\alpha}}(\psi \mathcal{L} \psi | \eta_x = 1).$$

Proof of Lemma 5.7. — We do not give the detail of this proof. It is quite similar to the proof without the frozen site for an angle-blind function, the only difference being that whenever a path should go through the site x , the path is bypassed around it, which results in a larger constant C but does not affect the order N^2 . \square

We now take a look at the left-hand side of Equation (5.10). Since ψ_x vanishes whenever $\eta_x = 0$ we have $\mathbb{E}_{\hat{\alpha}}(\psi_x \mid \eta_x = 1) = \alpha^{-1} \mathbb{E}_{\hat{\alpha}}(\psi_x)$, the previous Lemma applied to $\psi_x - \mathbb{E}_{\hat{\alpha}}(\psi_x \mid \eta_x = 1)$ yields

$$(5.11) \quad \sum_{x \in A_N} \mathbb{E}_{\hat{\alpha}}(\psi_x^2) - \frac{1}{\alpha} \mathbb{E}_{\hat{\alpha}}(\psi_x)^2 \leq CN^2 \sum_{x \in A_N} \mathcal{D}_x^*(\psi_x).$$

Notice that since $\sum_{x \in A_N} \tilde{\eta}_x$ is constant for the simple exclusion dynamic on A_N , we can add or subtract to f the function $\sum_{x \in A_N} \tilde{\eta}_x \bar{\psi}$, where $\bar{\psi} = N^{-2} \sum_{x \in A_N} \psi_x$ at the cost of an angle-blind function. We can therefore safely assume that $\sum_{x \in A_N} \psi_x = 0$. Since

$$\begin{aligned} \sum_{x, y \in A_N} [\mathbb{E}_{\hat{\alpha}}(\psi_x) - \mathbb{E}_{\hat{\alpha}}(\psi_y)]^2 &= \sum_{x, y \in A_N} [\mathbb{E}_{\hat{\alpha}}(\psi_x)^2 + \mathbb{E}_{\hat{\alpha}}(\psi_y)^2] - 2 \sum_{x, y \in A_N} \mathbb{E}_{\hat{\alpha}}(\psi_x) \mathbb{E}_{\hat{\alpha}}(\psi_y) \\ &= 2N^2 \sum_x \mathbb{E}_{\hat{\alpha}}(\psi_x)^2, \end{aligned}$$

since the last term of the first line vanishes thanks to our previous assumption. Furthermore, consider the family of paths $(\gamma_{x,y})_{x,y \in A_N}$ going from x to y , defined thusly : starting from x , the path $\gamma_{x,y}$ starts straight in the first direction, until reaching the first coordinate of y . then, it goes in the second direction until reaching y . With this construction, each edge a is used at most N^3 times in the $\gamma_{x,y}$'s. Letting n_a be the number of times the edge a is used in one of the paths $\gamma_{x,y}$, we hence have $n_a \leq CN^3 \forall a$. Furthermore, each path $\gamma_{x,y}$ has length at most $2N$. With this construction, we therefore write, since

$$\psi_x - \psi_y = \sum_{a=(a_1, a_2) \in \gamma_{x,y}} (\psi_{a_1} - \psi_{a_2}),$$

and $(\sum_{k=1}^n x_k)^2 \leq n \sum_{k=1}^n x_k^2$ that

$$\begin{aligned} \sum_{x, y \in A_N} [\mathbb{E}_{\hat{\alpha}}(\psi_x) - \mathbb{E}_{\hat{\alpha}}(\psi_y)]^2 &\leq \sum_{x, y \in A_N} 2N \sum_{(a_1, a_2) \in \gamma_{x,y}} [\mathbb{E}_{\hat{\alpha}}(\psi_{a_1}) - \mathbb{E}_{\hat{\alpha}}(\psi_{a_2})]^2 \\ &= 2N \sum_{(a_1, a_2) \subset A_N} n_a [\mathbb{E}_{\hat{\alpha}}(\psi_{a_1}) - \mathbb{E}_{\hat{\alpha}}(\psi_{a_2})]^2 \\ &\leq 2N^4 \sum_{(a_1, a_2) \subset A_N} [\mathbb{E}_{\hat{\alpha}}(\psi_{a_1}) - \mathbb{E}_{\hat{\alpha}}(\psi_{a_2})]^2 \\ &= 2N^4 \sum_{x \in A_N, |z|=1} [\mathbb{E}_{\hat{\alpha}}(\psi_{x+z}) - \mathbb{E}_{\hat{\alpha}}(\psi_x)]^2. \end{aligned}$$

Using the two previous identities, we obtain that

$$(5.12) \quad \sum_{x \in A_N} \mathbb{E}_{\hat{\alpha}}(\psi_x)^2 \leq N^2 \sum_{x \in A_N, |z|=1} [\mathbb{E}_{\hat{\alpha}}(\psi_{x+z}) - \mathbb{E}_{\hat{\alpha}}(\psi_x)]^2.$$

Let us consider $Z(x)$ the empty site nearest to x , chosen arbitrarily if there are multiple candidates. We want to reach from η a configuration with an empty site in $x+z$ to offer some counterweight to the second term \bar{h} in the left-hand side above. To do so, we merely have to "move" the empty site from $Z(x)$ to $x+z$, without crossing any edge twice, which can be done in $n \leq 2(|Z(x) - x| + 1)$ allowed jumps along the edges a_1, \dots, a_n . Furthermore, we can also assume that no such edge is of the form $(x, x+z)$ since to bring the empty site to $x+z$, one only has to go around the site x . For any integer $r \leq n$ let $\hat{\eta}^{(r)} = \hat{\eta}^{a_1 \dots a_r}$ be the configuration where the empty site has traveled along r edges. We denote $\hat{\eta}^{(0)} = \eta$, and notice that $\hat{\eta}_{x+z}^{(n)} = 0$. Furthermore, for any function h , since every successive jump is allowed (each initial site is occupied, each end site is empty) we have

$$\left(1 - \hat{\eta}_{x+z}^{(n)}\right) h\left(\hat{\eta}^{(n)}\right) = h\left(\hat{\eta}^{(n)}\right) = h(\hat{\eta}) + \sum_{r=1}^n h\left(\hat{\eta}^{(r)}\right) - h\left(\hat{\eta}^{(r-1)}\right) = h(\hat{\eta}) + \sum_{r=1}^n \nabla_{a_r} h\left(\hat{\eta}^{(r-1)}\right),$$

with ∇_a the gradient defined at the start of Section 5.1. We can rewrite this identity

$$h(\hat{\eta}) = \left(1 - \hat{\eta}_{x+z}^{(n)}\right) h\left(\hat{\eta}^{(n)}\right) - \sum_{r=1}^n \nabla_{a_r} h\left(\hat{\eta}^{(r-1)}\right).$$

Note that in the formula above, both the n and the $\hat{\eta}^{(r)}$'s depend on η , since they depend on the position of the nearest empty site. From here, letting respectively $h = \psi_x$ and $h = \psi_{x+z}(\hat{\eta}^{x,x+z})$, for which we can choose a sequence of bonds (a_r) , we obtain

$$\begin{aligned}
\mathbb{E}_{\hat{\alpha}}(\psi_{x+z}) - \mathbb{E}_{\hat{\alpha}}(\psi_x) &= \mathbb{E}_{\hat{\alpha}}(\psi_{x+z}(\hat{\eta}^{x,x+z}) - \psi_x) \\
&= \mathbb{E}_{\hat{\alpha}}\left(\sum_{r=1}^n \left[\nabla_{a_r} \psi_x(\hat{\eta}^{(r-1)}) - \nabla_{a_r} \psi_{x+z}((\hat{\eta}^{x,x+z})^{(r-1)})\right]\right) \\
(5.13) \quad &+ \mathbb{E}_{\hat{\alpha}}\left(\left(1 - \hat{\eta}_{x+z}^{(n)}\right) \left[\psi_{x+z}((\hat{\eta}^{x,x+z})^{(n)}) - \psi_x(\hat{\eta}^{(n)})\right]\right).
\end{aligned}$$

The first part of the quantity above can be controlled thanks to the Dirichlet form of the ψ_x 's. Indeed, restricting to the configurations $\hat{\eta}$ with at least one empty site (if not, $f = 0$, and the result is trivially true)

$$\begin{aligned}
\mathbb{E}_{\hat{\alpha}}\left(\sum_{r=1}^{n(Z(x))} \nabla_{a_r} \psi_x(\hat{\eta}^{(r-1)})\right) &= \sum_{x_0 \in A_N} \sum_{r=1}^{n(x_0)} \mathbb{E}_{\hat{\alpha}}\left(\mathbb{1}_{\{Z(x)=x_0\}} \nabla_{a_r} \psi_x(\hat{\eta}^{(r-1)})\right) \\
&\leq \sum_{x_0 \in A_N} \sum_{r=1}^{n(x_0)} \mathbb{E}_{\hat{\alpha}}\left(\mathbb{1}_{\{Z(x)=x_0\}}\right)^{1/2} \mathbb{E}_{\hat{\alpha}}\left(\left[\nabla_{a_r} \psi_x(\hat{\eta}^{(r-1)})\right]^2\right)^{1/2} \\
&\leq \sum_{x_0 \in A_N} \mathbb{P}_{\hat{\alpha}}\left(\mathbb{1}_{\{Z(x)=x_0\}}\right)^{1/2} \sum_{r=1}^{n(x_0)} \mathbb{E}_{\hat{\alpha}}\left([\nabla_{a_r} \psi_x]^2\right)^{1/2} \\
&\leq \sum_{l \leq N/2} \sum_{|x-x_0|=l} \mathbb{P}_{\hat{\alpha}}\left(\mathbb{1}_{\{Z(x)=x_0\}}\right)^{1/2} Cl^2 \mathbb{E}_{\hat{\alpha}}\left(\sum_{\substack{a \in B_l(x) \\ a \neq (x,x+z)}} [\nabla_a \psi_x]^2\right)^{1/2},
\end{aligned}$$

for some universal constant C . In the last inequality, we used that $\sum_{i=1}^n \sqrt{x_i} \leq n \sqrt{\sum_{i=1}^n x_i}$, and the fact that each edge in the a_i 's is used at most once, and that the number of edges in a box of side length $2l+1$ edges is of order l^2 . Since the probability that $Z(x) = x_0$ is bounded from above by $(1-\alpha)^{(|x-x_0|-1)^2}$, we finally obtain that

$$(5.14) \quad \mathbb{E}_{\hat{\alpha}}\left(\sum_{r=1}^{n(Z(x))} \nabla_{a_r} \psi_x(\hat{\eta}^{(r-1)})\right) \leq \sum_{l \leq N/2} Cl^3 (1-\alpha)^{(l-1)^2} \mathcal{D}_{x,l}^*(\psi_x)^{1/2} \leq C(\alpha) \mathcal{D}_x^*(\psi_x)^{1/2},$$

where \mathcal{D}_x^* is the Dirichlet form deprived of the jumps between x and its neighbors defined in equation (5.9), and $\mathcal{D}_{x,l}^*$ is the restriction of \mathcal{D}_x^* to jumps in the box of side $2l+1$ centered in x . We obtain in a similar fashion, using this time a sequence of bonds (a_r) moving the nearest empty site to x this time, avoiding the sites around $x+z$,

$$(5.15) \quad \mathbb{E}_{\hat{\alpha}}\left(-\sum_{r=1}^n \nabla_{a_r} \psi_{x+z}((\hat{\eta}^{x,x+z})^{(r-1)})\right) \leq C(\alpha) \mathcal{D}_{x+z}(\psi_{x+z})^{1/2}.$$

Finally, we can write

$$\begin{aligned}
\mathbb{E}_{\hat{\alpha}}\left(\left(1 - \hat{\eta}_{x+z}^{(n)}\right) \left[\psi_{x+z}((\hat{\eta}^{x,x+z})^{(n)}) - \psi_x(\hat{\eta}^{(n)})\right]\right) &= \mathbb{E}_{\hat{\alpha}}\left(\left(1 - \eta_{x+z}\right) \left[\psi_{x+z}((\hat{\eta}^{x,x+z})^{(n)}) - \psi_x\right]\right) \\
(5.16) \quad &\leq \mathbb{E}_{\hat{\alpha}}\left(\left(1 - \eta_{x+z}\right) \left[\psi_{x+z}((\hat{\eta}^{x,x+z})^{(n)}) - \psi_x\right]^2\right)^{1/2}.
\end{aligned}$$

The three bounds (5.14), (5.15) and (5.16) combined with (5.13) guarantee, since

$$(a+b+c)^2 \leq 3(a^2+b^2+c^2),$$

that for some different constant C depending on $\hat{\alpha}$,

$$N^2 \sum_{x \in A_N} \mathbb{E}_{\hat{\alpha}}\left[(\psi_{x+z}) - \mathbb{E}_{\hat{\alpha}}(\psi_x)\right]^2 \leq N^2 \sum_{x \in A_N} \left[C \mathcal{D}_x^*(\psi_x) + \sum_{|z|=1} \mathbb{E}_{\hat{\alpha}}\left(\left(1 - \eta_{x+z}\right) \left(\psi_{x+z}(\hat{\eta}^{x,x+z}) - \psi_x\right)^2\right) \right]$$

$$\leq C' N^2 \sum_{x \in A_N} \left[\mathcal{D}_x^*(\psi_x) + \sum_{|z|=1} \mathbb{E}_{\hat{\alpha}} \left((1 - \eta_{x+z}) (\psi_{x+z}(\hat{\eta}^{x,x+z})) - \psi_x \right)^2 \right]$$

This together with (5.12) and (5.11) then yields that (5.10) holds as desired. This concludes the proof of the spectral gap restricted to the set T_0^ω . \square

5.3. Comparison with an equilibrium measure. — *In this section, we prove a result that will be used several times throughout the proof, and which allows to control the exponential moments of a functional X by a variational formula involving the equilibrium measure μ_α^* . This control is analogous to the so called sector condition for asymmetric processes, which guarantees that the mixing due to the symmetric part of the generator is sufficient to balance out the shocks provoked by the antisymmetric part.*

Remark 5.8. — [Non-stationarity of μ_α^* for the weakly asymmetric process] It has already been pointed out that \mathcal{L} is self-adjoint w.r.t any product measure $\mu_{\hat{\alpha}}$, which is not in general the case of $\mathcal{L}^{\mathbf{G},\beta=0}$. However, $\mathcal{L}^{\mathbf{G},\beta=0}$ is self-adjoint w.r.t. μ_α^* due to the uniformity in θ of that measure. Asymmetric generators are usually "almost" anti-self-adjoint, in the sense that one could expect $\mathcal{L}^{\text{WA}*} = -\mathcal{L}^{\text{WA}}$. This identity is for example true for the *TASEP*, for which the asymmetry is constant and does not depend on each particle.

It is not true in our case however, due to the exclusion rule and the dependence of the asymmetry in the angle of the particle. To clarify this statement, see the adjoint operator as a time-reversal, and consider a configuration with two columns of particles wanting to cross each other. This configuration would be stuck under \mathcal{L}^{WA} , however, under the time-reversed dynamics $\mathcal{L}^{\text{WA}*}$, it starts to move. This illustrates that in our model, the asymmetric generator \mathcal{L}^{WA} is not anti-self-adjoint.

Let us denote accordingly to the previous notation (2.17) and recalling the definition of the λ'_i s (2.1), for $i = 1, 2$

$$j_i^{\lambda'_i} = \lambda_i(\theta_0)\eta_0(1 - \eta_{e_i}) - \lambda_i(\theta_{e_i})\eta_{e_i}(1 - \eta_0).$$

Elementary computations yield accordingly that the adjoint in $L^2(\mu_\alpha^*)$ of \mathcal{L}^{WA} is in fact given by

$$(5.17) \quad \mathcal{L}^{\text{WA},*} = -\mathcal{L}^{\text{WA}} + 2 \sum_{x \in \mathbb{T}_N^2} \sum_{i=1,2} \tau_x j_i^{\lambda'_i}.$$

This identity will be necessary to prove the following result, which compares the measure of the process with drift to the measure μ_α^* .

Lemma 5.9. — *Fix a function*

$$X \quad : \quad \Sigma_N \times [0, T] \quad \longrightarrow \quad \mathbb{R} \\ (\hat{\eta}, t) \quad \longmapsto \quad X_t(\hat{\eta}) .$$

For any $\gamma > 0$, we have

$$\frac{1}{\gamma N^2} \log \mathbb{E}_{\mu_\alpha^*}^{\lambda,0} \left[\exp \left(\gamma N^2 \int_0^T X_t(\hat{\eta}(t)) dt \right) \right] \leq \frac{2T\lambda^2}{\gamma} + \frac{1}{\gamma} \int_0^T dt \sup_{\varphi} \left\{ \mathbb{E}_{\alpha}^*(\varphi \gamma X_t(\hat{\eta})) - \frac{1}{2} D(\varphi) \right\},$$

where the supremum in the right-hand side is taken on the densities w.r.t. μ_α^* .

Proof of Lemma 5.9. — Let us denote by $P_t^{\lambda,X}$ the modified semi-group

$$P_t^{\lambda,X} = \exp \left[\int_0^t L_N^{\beta=0} + \gamma N^2 X_s ds \right].$$

where $L_N^{\beta=0}$ is the alignment-free generator introduced in (3.15) and let us denote in this Section by $\langle \cdot, \cdot \rangle_\alpha$ the inner product in $L^2(\mu_\alpha^*)$. For any $i = 1, 2$, and any H , and $T > 0$, the Feynman-Kac formula guarantees that

$$(5.18) \quad \mathbb{E}_{\mu_\alpha^*}^{\lambda,0} \left[\exp \left(\gamma N^2 \int_0^T X_t(\hat{\eta}(t)) dt \right) \right] = \langle 1, P_T^{\lambda,X} 1 \rangle_\alpha \leq \langle P_T^{\lambda,X} 1, P_T^{\lambda,X} 1 \rangle_\alpha >_\alpha^{1/2} .$$

by definition of $P_t^{\lambda, X}$,

$$(5.19) \quad \frac{d}{dt} \langle P_t^{\lambda, X} 1, P_t^{\lambda, X} 1 \rangle_\alpha = \langle P_t^{\lambda, X} 1, (L_N^{\beta=0} + L_N^{\beta=0, *} + 2\gamma N^2 X_t) P_t^{\lambda, X} 1 \rangle_\alpha,$$

where M^* stands for the adjoint in $L^2(\mu_\alpha^*)$ of M . By definition of $L_N^{\beta=0}$, we have

$$L_N^{\beta=0, *} = N^2 \mathcal{L}^* + N \mathcal{L}^{\text{WA}, *} + \mathcal{L}^{\text{G}, \beta=0, *}.$$

We now work to control the weakly asymmetric contribution in the right-hand side of equation (5.19), which does not vanish in our case, as a consequence of Remark 5.8. For that purpose, consider a function $\varphi \in L^2(\mu_\alpha^*)$, identity (5.17) yields

$$\langle \varphi, (\mathcal{L}^{\text{WA}} + \mathcal{L}^{\text{WA}, *}) \varphi \rangle_\alpha = 2 \sum_{x \in \mathbb{T}_N^2} \sum_{i=1,2} \mathbb{E}_\alpha^* \left[\varphi^2 \tau_x j_i^{\lambda_i} \right].$$

Recall the definition of $\nabla_a f$ given in equation (3.4). A change of variable $\hat{\eta} \mapsto \hat{\eta}^{x, x+e_i}$ on the second part of $\tau_x j_i^{\lambda_i}$ yields that for any x

$$\mathbb{E}_\alpha^* (\varphi^2 \tau_x j_i^{\lambda_i}) = -\mathbb{E}_\alpha^* (\lambda_i(\theta_0) \nabla_{x, x+e_i} \varphi^2) = -\mathbb{E}_\alpha^* [\lambda_i(\theta_0) (\varphi(\hat{\eta}^{x, x+e_i}) + \varphi) \nabla_{x, x+e_i} \varphi],$$

therefore applying the elementary inequality $ab \leq a^2/2 + b^2/2$, to

$$a = \sqrt{N} \nabla_{x, x+e_i} \varphi \quad \text{and} \quad b = -\frac{\lambda_i(\theta_0)}{\sqrt{N}} (\varphi(\hat{\eta}^{x, x+e_i}) + \varphi),$$

we obtain (since $\lambda_i(\theta)$ is either $\lambda \cos(\theta)$ or $\lambda \sin(\theta)$ and is less than λ)

$$\langle \varphi, (\mathcal{L}^{\text{WA}} + \mathcal{L}^{\text{WA}, *}) \varphi \rangle_\alpha \leq \frac{N}{2} \sum_{x \in \mathbb{T}_N^2} \sum_{i=1,2} \mathbb{E}_\alpha^* \left[(\nabla_{x, x+e_i} \varphi)^2 \right] + \frac{\lambda^2}{2N} \sum_{x \in \mathbb{T}_N^2} \sum_{i=1,2} \mathbb{E}_\alpha^* \left[(\varphi(\hat{\eta}^{x, x+e_i}) + \varphi)^2 \right].$$

Since $(\varphi(\hat{\eta}^{x, x+e_i}) + \varphi)^2$ is less than $2\varphi^2(\hat{\eta}^{x, x+e_i}) + 2\varphi^2$, we finally obtain that,

$$\langle \varphi, N(\mathcal{L}^{\text{WA}} + \mathcal{L}^{\text{WA}, *}) \varphi \rangle_\alpha \leq -N^2 \mathbb{E}_\alpha^* [\varphi \mathcal{L} \varphi] + 4\lambda^2 N^2 \mathbb{E}_\alpha^* [\varphi^2].$$

In particular, applying this identity to $\varphi = P_t^{\lambda, X} 1$, we deduce from equation (5.19) that

$$\begin{aligned} \frac{d}{dt} \langle P_t^{\lambda, X} 1, P_t^{\lambda, X} 1 \rangle_\alpha &\leq \langle P_t^{\lambda, X} 1, [2\gamma N^2 X_t + N^2 \mathcal{L} + 2\mathcal{L}^{\text{G}, \beta=0} + 4\lambda^2 N^2] P_t^{\lambda, X} 1 \rangle_\alpha \\ &\leq (\nu_\gamma(t) + 4\lambda^2 N^2) \langle P_t^{\lambda, X} 1, P_t^{\lambda, X} 1 \rangle_\alpha + 2 \langle P_t^{\lambda, X} 1, \mathcal{L}^{\text{G}, \beta=0} P_t^{\lambda, X} 1 \rangle_\alpha, \end{aligned}$$

where $\nu_\gamma(t)$ is the largest eigenvalue of the self-adjoint operator $N^2 \mathcal{L} + 2\gamma N^2 X_t$. It is not hard to see that the second term above is non-positive. Indeed, for any function φ on Σ_N , by definition of $\mathcal{L}^{\text{G}, \beta=0}$ (cf. equation (2.5))

$$\begin{aligned} \langle \varphi, \mathcal{L}^{\text{G}, \beta=0} \varphi \rangle_\alpha &= \sum_{x \in \mathbb{T}_N^2} \mathbb{E}_\alpha^* \left(\eta_x \varphi(\hat{\eta}) \left[\frac{1}{2\pi} \int_{\mathbb{S}} \varphi(\hat{\eta}^{x, \theta}) d\theta - \varphi(\hat{\eta}) \right] \right) \\ &= -\frac{1}{2} \sum_{x \in \mathbb{T}_N^2} \mathbb{E}_\alpha^* \left(\eta_x \left[\frac{1}{2\pi} \int_{\mathbb{S}} \varphi(\hat{\eta}^{x, \theta}) d\theta - \varphi(\hat{\eta}) \right]^2 \right) \leq 0. \end{aligned}$$

To establish the last identity, we only used that under μ_α^* , the angles are chosen uniformly, and therefore $\mathbb{E}_\alpha^* (\eta_x \varphi(\theta_x)) = \mathbb{E}_\alpha^* (\eta_x) (1/2\pi) \int_{\mathbb{S}} \varphi(\theta') d\theta'$. We thus obtain that

$$\frac{d}{dt} \langle P_t^{\lambda, X} 1, P_t^{\lambda, X} 1 \rangle_\alpha \leq (\nu_\gamma(t) + 4\lambda^2 N^2) \langle P_t^{\lambda, X} 1, P_t^{\lambda, X} 1 \rangle_\alpha,$$

and Grönwall's inequality therefore yields that

$$\langle P_T^{\lambda, X} 1, P_T^{\lambda, X} 1 \rangle_\alpha \leq \exp \left(4T\lambda^2 N^2 + \int_0^T \nu_\gamma(t) dt \right).$$

This, combined with (5.18), allows us to write

$$(5.20) \quad \frac{1}{\gamma N^2} \log \mathbb{E}_{\mu_\alpha^*}^{\lambda, 0} \left[\exp \left(\gamma N^2 \int_0^T X_t dt \right) \right] \leq \frac{2T\lambda^2}{\gamma} + \int_0^T \frac{\nu_\gamma(t)}{2\gamma N^2} dt.$$

The variational formula for the largest eigenvalue of the self-adjoint operator $N^2(\mathcal{L} + 2\gamma X_t)$ yields that

$$\nu_\gamma(t) = N^2 \sup_{\psi, \mathbb{E}_\alpha^*(\psi^2)=1} \mathbb{E}_\alpha^*(\psi(\mathcal{L} + 2\gamma X_t)\psi) = 2N^2 \sup_\varphi \left\{ \gamma \mathbb{E}_\alpha^*(X_t \varphi) - \frac{1}{2} D(\varphi) \right\},$$

where the second supremum is taken over all densities φ w.r.t. μ_α^* , which together with (5.20) concludes the proof of Lemma 5.9. To prove the last identity, one only has to note that the supremum must be achieved by functions ψ of constant sign, so that we can let $\varphi = \sqrt{\psi}$. \square

5.4. Relative compactness of the sequence $(Q_N)_{N \in \mathbb{N}}$. — *We prove in this Section that the sequence $(Q^N)_{N \in \mathbb{N}}$, defined in equation (A.4), is relatively compact for the weak topology. It follows from two properties stated in Proposition 5.10 below. The first one guarantees that the fixed-time marginals are controlled, whereas the second ensures that the time-fluctuations of the process's measure are not too wide.*

Given a function $H : \mathbb{T}^2 \times \mathbb{S} \rightarrow \mathbb{R}$, we already introduced in the outline of Section 2.4 the notation

$$\langle \pi, H \rangle = \int_{\mathbb{T}^2 \times \mathbb{S}} H(u, \theta) \pi(du, d\theta).$$

The following result yields sufficient conditions for the weak relative compactness of the sequence $(Q^N)_N$.

Proposition 5.10 (Characterization of the relative compactness on $\mathcal{P}(\mathcal{M}^{[0,T]})$)

Let P^N be a sequence of probability measures on the set of trajectories $\mathcal{M}^{[0,T]}$ defined in (2.11), such that

(1) *There exists some $A_0 > 0$ such that for any $A > A_0$,*

$$\limsup_{N \rightarrow \infty} P^N \left(\sup_{s \in [0, T]} \langle \pi_s, 1 \rangle \geq A \right) = 0$$

(2) *For any $H \in C(\mathbb{T}^2 \times \mathbb{S})$, $\varepsilon > 0$,*

$$\lim_{\delta \rightarrow 0} \limsup_{N \rightarrow \infty} P^N \left(\sup_{\substack{|t-t'| \leq \delta \\ 0 \leq t', t \leq T}} | \langle \pi_{t'}, H \rangle - \langle \pi_t, H \rangle | > \varepsilon \right) = 0.$$

Then, the sequence $(P^N)_{N \in \mathbb{N}}$ is relatively compact for the weak topology.

Since this proposition is, with minor adjustments, found in [2] (cf. Theorem 13.2, page 139), we do not give its proof, and refer the reader to the latter. For now, our focus is the case of the AEP, for which both of these conditions are realized. The strategy of the proof follows closely that of Theorem 6.1, page 180 of [27], but requires two adjustments. First, our system is driven out of equilibrium by the drift, and we therefore need to use the Lemma 5.9 stated in the previous section to carry out the proof. The second adaptation comes from the presence of the angles, and since most of the proof is given for a test function $H(u, \theta) = G(u)\omega(\theta)$, we need to extend it in the general case where H cannot be decomposed in this fashion.

Proposition 5.11 (Compactness of $(Q^N)_{N \in \mathbb{N}}$). — *The sequence $(Q^N)_{N \in \mathbb{N}}$ defined in equation (A.4) of probabilities on the trajectories of the AEP satisfies conditions (1) and (2) above, and is therefore relatively compact.*

Proof of Proposition 5.11. — The first condition does not require any work since the AEP only allows one particle per site and we can thus choose $A_0 = 1$. Regarding the second condition, recall that

$$(5.21) \quad \langle \pi_{t'}^N, H \rangle - \langle \pi_t^N, H \rangle = \int_{t'}^t L_N \langle \pi_s^N, H \rangle ds + M_t^H - M_{t'}^H,$$

where M^H is a martingale with quadratic variation of order N^{-2} . For more details, we refer the reader to appendix A of [27]. First, Doob's inequality yields uniformly in δ the crude bound

$$(5.22) \quad \mathbb{E}_{\mu^N}^{\lambda,\beta} \left(\sup_{t',t \leq \delta} |M_t^H - M_{t'}^H| \right) \leq 2\mathbb{E}_{\mu^N}^{\lambda,\beta} \left(\sup_{0 \leq t \leq T} |M_t^H| \right) \leq C(H)N^{-1},$$

where $\mathbb{E}_{\mu^N}^{\lambda,\beta}$ is the expectation w.r.t the measure $\mathbb{P}_{\mu^N}^{\lambda,\beta}$ introduced just after Definition 3.4 of the complete process $\hat{\eta}^{[0,T]}$ started from the initial measure μ^N .

Regarding the integral part of (5.21), we first assume like earlier that H takes the form

$$H(u, \theta) = G(u)\omega(\theta),$$

where G and ω are both C^2 functions. When this is not the case, an application of the periodic Weierstrass Theorem will yield the wanted result. Then, following the same justification as in Section 2.4 we can write

$$\int_{t'}^t L_N \langle \pi_s^N, H \rangle ds = \frac{1}{N^2} \int_{t'}^t ds \sum_{x \in \mathbb{T}_N^2} \tau_x \left(\sum_{i=1}^2 [Nj_i^\omega + r_i^\omega](s) \partial_{u_i, N} G(x/N) + \tau_x \gamma^\omega(s) G(x/N) \right),$$

where the instantaneous currents j^ω , r^ω and γ^ω were introduced in Definition 2.8.

The weakly asymmetric and Glauber contributions are easy to control, since both jump rates r^ω and γ^ω can be bounded by a same constant K , and we can therefore write

$$\begin{aligned} \int_{t'}^t (N\mathcal{L}^{\text{WA}} + \mathcal{L}^{\text{G}}) \langle \pi_s^N, H \rangle ds &\leq K \int_{t'}^t ds \frac{1}{N^2} \sum_{x \in \mathbb{T}_N^2} |G(x/N)| + \sum_{i=1}^2 |\partial_{u_i, N} G(x/N)| \\ &\rightarrow_{N \rightarrow \infty} K(t-t') \int_{\mathbb{T}^2} |G(u)| + \sum_{i=1}^2 |\partial_{u_i} G(u)| du, \end{aligned}$$

which vanishes as soon as $|t' - t| \leq \delta$ in the limit $\delta \rightarrow 0$. Finally,

$$\begin{aligned} Q^N \left(\sup_{\substack{|t-t'| \leq \delta \\ 0 \leq t', t \leq T}} | \langle \pi_{t'}, H \rangle - \langle \pi_t, H \rangle | > \varepsilon \right) \\ \leq \mathbb{P}_{\mu^N}^{\lambda,\beta} \left[\sup_{\substack{|t-t'| \leq \delta \\ 0 \leq t', t \leq T}} \left| \int_{t'}^t N^2 \mathcal{L} \langle \pi_s^N, H \rangle ds \right| > \varepsilon/3 \right] \\ + \mathbb{P}_{\mu^N}^{\lambda,\beta} \left[\sup_{\substack{|t-t'| \leq \delta \\ 0 \leq t', t \leq T}} \left| \int_{t'}^t (N\mathcal{L}^{\text{WA}} + \mathcal{L}^{\text{G}}) \langle \pi_s^N, H \rangle ds \right| > \varepsilon/3 \right] \\ + \mathbb{P}_{\mu^N}^{\lambda,\beta} \left[\sup_{\substack{|t-t'| \leq \delta \\ 0 \leq t', t \leq T}} |M_t^H - M_{t'}^H| > \varepsilon/3 \right]. \end{aligned}$$

The second line of the right-hand side vanishes in the limit $N \rightarrow \infty$ then $\delta \rightarrow 0$ thanks to the computation above, whereas the third line also vanishes thanks to Markov's inequality and equation (5.22). Finally, the first term vanishes accordingly to Lemma 5.12 below and the Markov inequality, thus completing the proof in the case where $H(u, \theta) = G(u)\omega(\theta)$. The general case is derived just after the proof of Lemma 5.12.

Lemma 5.12. — *For any function $H(u, \theta) = G(u)\omega(\theta) \in C^{2,0}(\mathbb{T}^2 \times \mathbb{S})$,*

$$(5.23) \quad \lim_{\delta \rightarrow 0} \limsup_{N \rightarrow \infty} \mathbb{E}_{\mu^N}^{\lambda,\beta} \left(\sup_{\substack{|t-t'| \leq \delta \\ 0 \leq t', t \leq T}} \left| \int_{t'}^t N^2 \mathcal{L} \langle \pi_s^N, H \rangle ds \right| \right) = 0.$$

Proof of Lemma 5.12. — The proof of this Lemma follows, with minor adjustments to account for the drift, the proof given in [27]. First, we get rid of the supremum and come back to the reference measure with fixed parameter $\alpha \in]0, 1[$ thanks to Lemma 5.9 of Section 5.3. Let us denote

$$(5.24) \quad g(t) = \int_0^t N^2 \mathcal{L} \langle \pi_s^N, H \rangle ds.$$

We now compare the measure of the AEP to that of the process started from equilibrium ($\mu^N = \mu_\alpha^*$), and with no alignment ($\beta = 0$), according to Proposition 3.10 with $A = RN^2$ and

$$X \left(\widehat{\eta}^{[0, T]} \right) = \sup_{\substack{|t'-t| \leq \delta \\ 0 \leq t', t \leq T}} \left| \int_{t'}^t N^2 \mathcal{L} \langle \pi_s^N, H \rangle ds \right| = \sup_{\substack{|t'-t| \leq \delta \\ 0 \leq t', t \leq T}} |g(t) - g(t')|.$$

This yields that for some constant $K_0 > 0$, the expectation in equation (5.23) is bounded from above for any positive R by

$$(5.25) \quad \frac{1}{RN^2} \left[K_0 N^2 + \log \mathbb{E}_{\mu_\alpha^*}^{\lambda, 0} \exp \left(RN^2 \sup_{\substack{|t'-t| \leq \delta \\ 0 \leq t', t \leq T}} |g(t) - g(t')| \right) \right].$$

We therefore reduce the proof of Lemma 5.12 to showing that

$$(5.26) \quad \lim_{\delta \rightarrow 0} \limsup_{N \rightarrow \infty} \frac{1}{R(\delta)N^2} \log \mathbb{E}_{\mu_\alpha^*}^{\lambda, 0} \exp \left(R(\delta)N^2 \sup_{\substack{|t'-t| \leq \delta \\ 0 \leq t', t \leq T}} |g(t) - g(t')| \right) = 0,$$

where $R(\delta)$ goes to ∞ as δ goes to 0.

Let p and ψ be two strictly increasing functions such that $\psi(0) = p(0) = 0$ and $\psi(+\infty) = +\infty$, we denote

$$I = \int_{[0, T] \times [0, T]} \psi \left(\frac{|g(t) - g(t')|}{p(|t' - t|)} \right) dt' dt,$$

the Garsia-Rodemich-Rumsey inequality [23] yields that

$$(5.27) \quad \sup_{\substack{|t'-t| \leq \delta \\ 0 \leq t', t \leq T}} |g(t) - g(t')| \leq 8 \int_0^\delta \psi^{-1} \left(\frac{4I}{u^2} \right) p(du).$$

Given any positive a , we choose $p(u) = \sqrt{u}$ and $\psi(u) = \exp(u/a) - 1$, hence $\psi^{-1}(u) = a \log(1 + u)$. An integration by parts yields that

$$(5.28) \quad \begin{aligned} \int_0^\delta \psi^{-1} \left(\frac{4I}{u^2} \right) p(du) &= a \int_0^\delta \log \left(1 + \frac{4I}{u^2} \right) \frac{du}{2\sqrt{u}} \\ &= a\sqrt{\delta} \log(1 + 4I\delta^{-2}) + a \int_0^\delta \frac{8I}{u^3 + 4Iu} \sqrt{u} du \\ &\leq a\sqrt{\delta} \log(1 + 4I\delta^{-2}) + a \int_0^\delta \frac{2}{\sqrt{u}} du \\ &= a\sqrt{\delta} [\log(\delta^2 + 4I) - 2 \log \delta + 4] \\ &\leq a\sqrt{\delta} \left[-\frac{\log \delta}{2} \log(\delta^2 + 4I) - 4 \log \delta \right] \\ &\leq a\sqrt{\delta} [-4 \log \delta \log(\delta^2 + 4I) - 4 \log \delta], \end{aligned}$$

since for any $\delta < e^{-2}$, we have $-\log(\delta) > 2$. From equations (5.27) and (5.28) we deduce that

$$\log \mathbb{E}_{\mu_\alpha^*}^{\lambda, 0} \exp \left(RN^2 \sup_{\substack{|t'-t| \leq \delta \\ 0 \leq t', t \leq T}} |g(t) - g(t')| \right) \leq \log \mathbb{E}_{\mu_\alpha^*}^{\lambda, 0} \exp \left(-32aRN^2\sqrt{\delta} \log \delta [1 + \log(\delta^2 + 4I + 1)] \right)$$

holds for any $a > 0$. For $\delta < 1$, Let us choose $a = -(32RN^2\sqrt{\delta}\log\delta)^{-1} > 0$, we can write for the second term of (5.25) the upper bound

$$\frac{1}{RN^2} \log \mathbb{E}_{\mu_\alpha^*}^{\lambda,0} \exp \left(RN^2 \sup_{\substack{|t'-t| \leq \delta \\ 0 \leq t', t \leq T}} |g(t) - g(t')| \right) \leq \frac{1}{RN^2} [1 + \log(1 + \delta^2 + 4\mathbb{E}_{\hat{\alpha}}(I))].$$

By definition,

$$I = \int_{[0,T] \times [0,T]} \exp \left(\frac{\left| \int_{t'}^t N^2 \mathcal{L} < \pi_u^N, H > du \right|}{a\sqrt{|t-t'|}} \right) dt' dt - T^2.$$

Let us assume, purely for convenience, that $T > 1/2$, for δ sufficiently small, we have $4T^2 - 1 - \delta^2 > 0$, and the quantity inside the limit in equation (5.26) can be estimated by

$$(5.29) \quad \frac{1}{RN^2} \log \mathbb{E}_{\mu_\alpha^*}^{\lambda,0} \exp \left(RN^2 \sup_{\substack{|t'-t| \leq \delta \\ 0 \leq t', t \leq T}} |g(t) - g(t')| \right) \\ \leq \frac{1}{RN^2} \left[1 + \log 4\mathbb{E}_{\mu_\alpha^*}^{\lambda,0} \left[\int_{[0,T] \times [0,T]} \exp \left(\frac{\left| \int_{t'}^t N^2 \mathcal{L} < \pi_s^N, H > ds \right|}{a\sqrt{|t'-t|}} \right) dt' dt \right] \right].$$

If $T \leq 1/2$, we simply carry out a constant term in the log above, which does not alter the proof.

Let us take a look at the two constants a and R . Noting the first bound on the entropy mentioned earlier, in order to keep the first term of (5.25) in check, $R = R(\delta)$ must simply grow to ∞ . Furthermore, we previously obtained that $a = -(RN^2 32\sqrt{\delta}\log\delta)^{-1}$, we can choose $a = N^{-2}$, thus $R = -1/32\sqrt{\delta}\log\delta$, which is non-negative, and goes to ∞ as $\delta \rightarrow 0^+$. Therefore, the second term above can be rewritten

$$\frac{1}{RN^2} \log \int_{[0,T] \times [0,T]} 4\mathbb{E}_{\mu_\alpha^*}^{\lambda,0} \exp \left[\left| \int_{t'}^t \frac{N}{|t'-t|^{1/2}} \sum_{x \in \mathbb{T}_N^2} j_{x,x+e_i}^\omega(s) \partial_{u_i,N} G(x/N) ds \right| dt' dt \right].$$

In order to estimate the expectation above, we can get rid of the absolute value, since $e^{|x|} \leq e^x + e^{-x}$, and since the function G is taken in a symmetric class of functions. Furthermore, Lemma 5.9, applied with $A = 1$ yields that the second term in the right-hand side of (5.29) is less than

$$(5.30) \quad \frac{1}{RN^2} \log \int_{[0,T] \times [0,T]} \exp \left[\frac{(t-t')}{2} [4\lambda^2 N^2 + \nu_N(G, i)] \right] dt dt',$$

where $\nu_N(G, i)$ is the largest eigenvalue in $L^2(\mu_\alpha^*)$ of the self-adjoint operator

$$N^2 \mathcal{L} + \frac{2N}{|t'-t|^{1/2}} \sum_{x \in \mathbb{T}_N^2} j_{x,x+e_i}^\omega \partial_{u_i,N} G(x/N),$$

which can be rewritten as the variational formula

$$(5.31) \quad \nu_N(G, i) = \sup_f \left\{ \frac{2N}{|t'-t|^{1/2}} \sum_{x \in \mathbb{T}_N^2} \partial_{u_i,N} G(x/N) \mathbb{E}_\alpha^* (f j_{x,x+e_i}^\omega) - N^2 D(f) \right\},$$

where the supremum is taken on all densities f w.r.t. μ_α^* . In order to prove that the eigenvalue above is of order N^2 , we now want to transform

$$\frac{N}{|t'-t|^{1/2}} \sum_{x \in \mathbb{T}_N^2} \partial_{u_i,N} G(x/N) \mathbb{E}_\alpha^* (f j_{x,x+e_i}^\omega).$$

For any density f , since $j_{x,x+e_i}^\omega(\hat{\eta}^{x,x+e_i}) = -\tau_x j_i^\omega$, we can write

$$\begin{aligned} \mathbb{E}_\alpha^* (f j_{x,x+e_i}^\omega) \partial_{u_i,N} G(x/N) &= -\frac{1}{2} \mathbb{E}_\alpha^* [(f(\hat{\eta}^{x,x+e_i}) - f) j_{x,x+e_i}^\omega] \partial_{u_i,N} G(x/N) \\ &\leq \frac{1}{4C} \mathbb{E}_\alpha^* \left((j_{x,x+e_i}^\omega)^2 \left(\sqrt{f}(\hat{\eta}^{x,x+e_i}) - \sqrt{f} \right)^2 \right) \end{aligned}$$

$$+ \frac{C}{4} (\partial_{u_i, N} G(x/N))^2 \mathbb{E}_\alpha^* \left(\left(\sqrt{f}(\widehat{\eta}^{x, x+e_i}) + \sqrt{f} \right)^2 \right).$$

Since $(j_{x, x+e_i}^\omega)^2 \leq \|\omega\|_\infty^2 \mathbb{1}_{\eta_x \eta_{x+e_i} = 0}$, and since $[\sqrt{f}(\widehat{\eta}^{x, x+e_i}) + \sqrt{f}]^2 \leq 2f(\widehat{\eta}^{x, x+e_i}) + 2f$, we obtain the upper bound

$$\frac{N}{|t' - t|^{1/2}} \sum_{x \in \mathbb{T}_N^2} \partial_{u_i, N} G(x/N) \mathbb{E}_\alpha^* (f j_{x, x+e_i}^\omega) \leq \frac{N \|\omega\|_\infty^2}{2C |t' - t|^{1/2}} D(f) + \frac{N^3 C}{|t' - t|^{1/2}} \|\partial_{u_i} G\|_\infty^2,$$

which holds for any positive C . We now set $C = |t' - t|^{-1/2} \|\omega\|_\infty^2 / N$ so that the Dirichlet form contributions in the variational formula (5.31) cancel out. We finally obtain that for some positive constant $C_1(G)$, independent of N ,

$$\nu_N(G, i) \leq \frac{C_1(G) N^2}{|t - t'|},$$

which yields that (5.30) vanishes in the limit $N \rightarrow \infty$ and $\delta \rightarrow 0$, since $R = R(\delta)$ goes to ∞ as δ goes to 0. Finally, we have proved thanks to equation (5.29) that

$$\lim_{\delta \rightarrow 0} \limsup_{N \rightarrow \infty} \frac{1}{RN^2} \log \mathbb{E}_{\mu_\alpha^*}^{\lambda, 0} \left(\exp \left[RN^2 \sup_{\substack{|t' - t| \leq \delta \\ 0 \leq t', t \leq T}} |g(t) - g(t')| \right] \right) = 0,$$

which concludes the proof of Lemma (5.12). \square

In order to complete the proof of Proposition 5.11, we still have to consider the case when H does not take a product form $G(u)\omega(\theta)$. In this case, since H is smooth it can be approximated by a trigonometric polynomial in u_1, u_2 and θ . Each term of the approximation is then of the form $G(u)\omega(\theta)$, and the previous result can therefore be applied. More precisely, consider a smooth function H , and for any $\alpha > 0$, there exists a finite family $(p_{ijk}^\alpha)_{0 \leq i, j, k \leq M_\alpha}$ of coefficients such that

$$\sup_{\substack{u \in \mathbb{T}^2, \\ \theta \in \mathbb{S}}} \left| H(u, \theta) - \sum_{i, j, k \in [0, M]} p_{ijk}^\alpha u_1^i u_2^j \theta^k \right| \leq \alpha.$$

Let us now fix an $\varepsilon > 0$, and let us take $\alpha = \varepsilon/4$. Then, considering the corresponding family $P_{ijk}(u, \theta) = p_{ijk}^\alpha u_1^i u_2^j \theta^k$ we have that

$$| \langle \pi_{t'}^N, H \rangle - \langle \pi_t^N, H \rangle | \leq \left| \langle \pi_{t'}^N - \pi_t^N, H - \sum_{i, j, k \leq M_\alpha} P_{ijk} \rangle \right| + \sum_{i, j, k \leq M_\alpha} | \langle \pi_{t'}^N - \pi_t^N, P_{ijk} \rangle |.$$

Since we allow at most 1 particle per site, and since $H - \sum_{i, j, k \leq M_\alpha} P_{ijk}$ is smaller than $\varepsilon/4$, the first term of the right-hand side above is less than $\varepsilon/2$. From this, we deduce that for the left-hand side to be greater than ε , one of the terms $| \langle \pi_{t'}^N, P_{ijk} \rangle - \langle \pi_t^N, P_{ijk} \rangle |$ must be larger than $\varepsilon/2M_\alpha^3$. This yields that

$$Q^N \left(\sup_{\substack{|s-t| \leq \delta \\ 0 \leq t', t \leq T}} | \langle \pi_{t'}, H \rangle - \langle \pi_t, H \rangle | > \varepsilon \right) \leq \sum_{i, j, k \leq M_\alpha} Q^N \left(\sup_{\substack{|t' - t| \leq \delta \\ 0 \leq t', t \leq T}} | \langle \pi_{t'}, P_{ijk} \rangle - \langle \pi_t, P_{ijk} \rangle | > \frac{\varepsilon}{2M_\alpha^3} \right).$$

Since α is fixed, we can now take the limit $N \rightarrow \infty$ then $\delta \rightarrow 0$, in which the right-hand side vanishes since all functions are decorrelated in u and θ . The result thus holds for any smooth function H , thus completing the proof of Proposition 5.11. \square

We now prove that in the limit, the empirical measure of our process admits at any fixed time a density w.r.t. the Lebesgue measure on \mathbb{T}^2 .

Lemma 5.13. — Any limit point Q^* of the sequence Q^N is concentrated on measures $\pi \in \widehat{\mathcal{M}}_T$ with time marginals absolutely continuous w.r.t the Lebesgue measure on \mathbb{T}^2 ,

$$Q^*(\pi, \pi_t(du, d\theta) = \widehat{\rho}_t(u, d\theta)du, \quad \forall t \in [0, T]) = 1.$$

Proof of Lemma 5.13. — For any smooth function $H \in C(\mathbb{T}^2)$ configuration $\widehat{\eta}$ in Σ_N and any corresponding empirical measure π^N , we have

$$|\langle \pi^N, H \rangle| = \left| \frac{1}{N^2} \sum_{x \in \mathbb{T}_N^2} H(x/N) \eta_x \right| \leq \frac{1}{N^2} \sum_{x \in \mathbb{T}_N^2} |H(x/N)|.$$

The right-hand side above converges as N goes to ∞ towards $\int_{\mathbb{T}^2} |H(u)| du$. Since for any fixed function H , the application

$$\pi \mapsto \sup_{0 \leq t \leq T} |\langle \pi_t, H \rangle|$$

is continuous, any limit point Q^* of $(Q^N)_N$ is concentrated on trajectories π such that

$$\sup_{0 \leq t \leq T} |\langle \pi_t, H \rangle| \leq \int_{\mathbb{T}^2} |H(u)| du,$$

for any smooth function H on \mathbb{T}^2 , and therefore is absolutely continuous w.r.t. the Lebesgue measure on \mathbb{T}^2 . \square

5.5. Regularity of the density and energy estimate. — *In this Section we prove the regularity of the particle densities needed for equation (2.13). The regularity of the total density is obtained quite easily following the strategy for the proof used in [27], however the regularity of the density of each type of particle (with angle θ) is more delicate, and requires the Replacement Lemma 4.1 as well as the tools developed in Section 5.*

Due to the non-constant diffusion coefficients, the second derivative in equation (2.13) cannot be applied to the test function, and we need, according to condition *iii*) of Definition 2.5, to prove that the macroscopic profiles of our particle system are such that $\nabla \rho$ is well-defined. We are going to prove a slightly stronger result than what is required, and also prove that $d_s(\rho) \nabla \widehat{\rho}(u, \theta)$ is, once smoothed out by a function ω , well-defined as well.

Recall from the irreducibility Section 3.12 the definition of the cutoff functions $\mathbb{1}_{E_p}$, where E_p , defined in equation (3.17), is the event on which the configuration has at least two empty sites in the box B_p of side length $2p + 1$. For any angle measure $\widehat{\alpha}$, (cf. Definition 3.1) we already introduced $\alpha = \int_{\mathbb{S}} \widehat{\alpha}(d\theta)$, we define

$$(5.32) \quad F^{\omega, p}(\widehat{\alpha}) = \mathbb{E}_{\widehat{\alpha}}(\eta_0^\omega \mathbb{1}_{E_p})$$

the cutoff density. Recall from Lemma 5.13 that any limit point Q^* of $(Q^N)_{N \in \mathbb{N}}$ is concentrated on trajectories such that

$$\pi_t(du, d\theta) = \widehat{\rho}_t(u, d\theta)du,$$

and that we denote $\rho_t(u) = \int_{\mathbb{S}} \widehat{\rho}_t(u, d\theta)$. We can now state the following result.

Theorem 5.14. — Any limit point Q^* of the measure sequence $(Q^N)_N$ is concentrated on trajectories with $\rho_t(u)$ and $F^{\omega, p}(\widehat{\rho}_t(u))$ in $H_1 = W^{1,2}([0, T] \times \mathbb{T}^2)$ for any $p \geq 1$. In other words, there exists functions $\partial_{u_i} \rho_t(u)$ and $\partial_{u_i} F^{\omega, p}(\widehat{\rho}_t(u))$ in $L^2([0, T] \times \mathbb{T}^2)$ such that for any smooth function $H \in C^{1,2}([0, T] \times \mathbb{T}^2)$

$$(5.33) \quad \iint_{[0, T] \times \mathbb{T}^2} \rho_t(u) \partial_{u_i} H_t(u) dudt = - \iint_{[0, T] \times \mathbb{T}^2} H_t(u) \partial_{u_i} \rho_t(u) dudt$$

and

$$\iint_{[0, T] \times \mathbb{T}^2} F^{\omega, p}(\widehat{\rho}_t(u)) \partial_{u_i} H_t(u) dudt = - \iint_{[0, T] \times \mathbb{T}^2} H_t(u) \partial_{u_i} F^{\omega, p}(\widehat{\rho}_t(u)) dudt.$$

Furthermore, there exists a constant $K = K(T, \lambda, \beta, \widehat{\rho}_0)$ such that for any limit point Q^* of (Q^N) , and for any i ,

$$(5.34) \quad \mathbb{E}_{Q^*} \left(\iint_{[0, T] \times \mathbb{T}^2} [\partial_{u_i} \rho_t(u)]^2 dudt \right) < K.$$

In particular, any such limit point Q^* is concentrated on measures satisfying condition iii) of Definition 2.5.

Remark 5.15. — We obtain in fact throughout the proof a stronger regularity than $\rho, F^{\omega, p}(\widehat{\rho}) \in H_1$. Indeed, to prove the latter, one only requires according to Riesz representation theorem that

$$\int \rho \nabla H \leq C \left(\int H^2 \right)^{1/2} \quad \text{and} \quad \int F^{\omega, p}(\widehat{\rho}) \nabla H \leq C \left(\int H^2 \right)^{1/2},$$

for some constant C . In our case, we are really going to prove that

$$\int \rho \nabla H \leq C \left(\int \rho(1 - \rho) H^2 \right)^{1/2} \quad \text{and} \quad \int F^{\omega, p}(\widehat{\rho}) \nabla H \leq C \left(\int \rho H^2 \right)^{1/2},$$

which is obviously a stronger result since $\rho \leq 1$. However, since $\rho, F^{\omega, p}(\widehat{\rho}) \in H_1$ is sufficient to define the differential equation (2.13), we formulate the theorem above with the weaker result instead of the latter.

The proof is postponed to the end of this Section. The usual argument to prove this result is Riesz representation theorem, that guarantees that if

$$\iint_{[0, T] \times \mathbb{T}^2} \rho_t(u) \partial_{u_i} H_t(u) dudt \leq C \|H\|_2^2$$

for any H there exists a function $\partial_{u_i} \rho \in L^2([0, T] \times \mathbb{T}^2)$ such that (5.33) holds. We first prove that if $F^{\omega, p}(\widehat{\rho})$ and ρ are in H^1 , then $d_s(\rho) \partial_{u_i} \rho^\omega$ is properly defined. For that purpose, we need the estimate given in Lemma 5.16 below. Fix a direction $i \in \{1, 2\}$, for any $x \in \mathbb{T}_N^2$, let $(x_k)_{k \in \{0, \varepsilon N\}}$ be defined by $x_k = x + k e_i$. Following the strategy of the energy estimate of [27], and recalling that $\tau_x \rho_{\delta N}$ is the empirical particle density in $B_{\delta N}(x)$, we let

$$V_{N,i}(A, \varepsilon, \delta, H, \widehat{\eta}) = \frac{1}{N^2} \sum_{x \in \mathbb{T}_N^2} H(x/N) \left(\frac{1}{\varepsilon} [F^{\omega, p}(\tau_{x+\varepsilon N e_i} \widehat{\rho}_{\delta N}) - F^{\omega, p}(\tau_x \widehat{\rho}_{\delta N})] - \frac{AH(x/N)}{\varepsilon N} \sum_{k=0}^{\varepsilon N-1} \tau_{x_k} \rho_{\delta N} \right).$$

We also introduce the equivalent of $V_{N,i}$ for the angle-blind configuration η_x instead of $\eta_x^\omega \mathbb{1}_{E_p, x}$, and let

$$W_{N,i}(\varepsilon, \delta, H, \eta) = \frac{1}{N^2} \sum_{x \in \mathbb{T}_N^2} H(x/N) \left(\frac{1}{\varepsilon} [\tau_{x+\varepsilon N e_i} \rho_{\delta N} - \rho_{\delta N}] - \frac{2H(x/N)}{\varepsilon N} \sum_{k=0}^{\varepsilon N-1} \tau_{x_k} \rho_{\delta N} (1 - \rho_{\delta N}) \right).$$

Lemma 5.16. — Let $\{H^l, l \in \mathbb{N}\}$ be a dense sequence in the separable algebra $C^{0,1}([0, T] \times \mathbb{T}^2)$ endowed with the norm $\|H\|_\infty + \sum_{i=1}^2 \|\partial_{u_i} H\|_\infty$. For any $r = 1, 2$ there exists two positive constants $A_0 = A_0(p)$ and $K = K(T, \lambda, \beta, \widehat{\rho}_0)$ such that for any $k \geq 1$ and $\varepsilon > 0$,

$$\limsup_{\delta \rightarrow 0} \limsup_{N \rightarrow \infty} \mathbb{E}_{\mu_N^{\lambda, \beta}} \left(\max_{1 \leq l \leq k} \int_0^T V_{N,i}(A_0, \varepsilon, \delta, H_t^l, \widehat{\eta}(t)) dt \right) \leq K_0,$$

and

$$\limsup_{\delta \rightarrow 0} \limsup_{N \rightarrow \infty} \mathbb{E}_{\mu_N^{\lambda, \beta}} \left(\max_{1 \leq l \leq k} \int_0^T W_{N,i}(\varepsilon, \delta, H_t^l, \eta(t)) dt \right) \leq K_0.$$

Proof of Lemma 5.16. — By the replacement Lemma 4.1, it is sufficient to show the result above without the limit in δ , and with $\widetilde{V}_{N,i}(A, \varepsilon, H_t, \widehat{\eta})$ and $\widetilde{W}_{N,i}(\varepsilon, H_t, \eta)$ instead of $V_{N,i}$ and $W_{N,i}$, where

$$\widetilde{V}_{N,i}(A, \varepsilon, H, \widehat{\eta}) = \frac{1}{N^2} \sum_{x \in \mathbb{T}_N^2} H(x/N) \left(\frac{1}{\varepsilon} [\eta_{x+\varepsilon N e_i}^\omega \mathbb{1}_{\tau_{x+\varepsilon N e_i} E_p} - \eta_x^\omega \mathbb{1}_{\tau_x E_p}] - \frac{AH(x/N)}{\varepsilon N} \sum_{k=0}^{\varepsilon N-1} \eta_{x_k} \right)$$

$$= \frac{1}{N^2} \sum_{x \in \mathbb{T}_N^2} H(x/N) \frac{1}{\varepsilon N} \sum_{k=0}^{\varepsilon N-1} \left[N \delta_i(\eta_{x_k}^\omega \mathbb{1}_{E_{p,x_k}}) - AH(x/N) \eta_{x_k} \right],$$

and

$$\begin{aligned} \widetilde{W}_{N,i}(\varepsilon, H, \eta) &= \frac{1}{N^2} \sum_{x \in \mathbb{T}_N^2} H(x/N) \left(\frac{1}{\varepsilon} [\eta_{x+\varepsilon N e_i} - \eta_x] - \frac{AH(x/N)}{\varepsilon N} \sum_{k=0}^{\varepsilon N-1} \eta_{x_k} (1 - \eta_{x_{k+1}}) \right) \\ &= \frac{1}{N^2} \sum_{x \in \mathbb{T}_N^2} H(x/N) \frac{1}{\varepsilon N} \sum_{k=0}^{\varepsilon N-1} \left[N(\eta_{x_{k+1}} - \eta_{x_k}) - 2H(x/N) \eta_{x_k} (1 - \eta_{x_{k+1}}) \right]. \end{aligned}$$

To obtain the second identities we merely rewrote $F^{\omega,p}(\tau_{x+\varepsilon N e_i} \widehat{\rho}_{\delta N}) - F^{\omega,p}(\tau_x \widehat{\rho}_{\delta N})$ and $\tau_{x+\varepsilon N e_i} \rho_{\delta N} - \rho_{\delta N}$ as telescopic sums, and δ_i is the discrete derivative in the direction e_i

$$\delta_i g(\widehat{\eta}) = \tau_{e_i} g(\widehat{\eta}) - g(\widehat{\eta}).$$

Applying Proposition 3.10 to $A = N^2$ and

$$X(\widehat{\eta}^{[0,T]}) = \max_{1 \leq i \leq k} \int_0^T \widetilde{V}_{N,i}(A, \varepsilon, H_i(t, \cdot), \widehat{\eta}(t)) dt,$$

the contribution of the Glauber dynamics and the initial measure can be compared to the case $\beta = 0$ started from μ_α^* ,

$$\begin{aligned} \mathbb{E}_{\mu_N^{\lambda,\beta}} \left(\max_{1 \leq l \leq k} \int_0^T \widetilde{V}_{N,i}(A, \varepsilon, H_t^l, \widehat{\eta}(t)) dt \right) \\ \leq K_0(T, \beta, \widehat{\rho}_0) + \frac{1}{N^2} \left(\log \mathbb{E}_{\mu_\alpha^{\lambda,0}} \left[\exp \left(N^2 \max_{1 \leq l \leq k} \int_0^T \widetilde{V}_{N,i}(A, \varepsilon, H_t^l, \widehat{\eta}(t)) dt \right) \right] \right). \end{aligned}$$

The max can be taken out of the log in the second term because for any finite family (u_l) ,

$$\exp \left(\max_l u_l \right) \leq \sum \exp u_l \quad \text{and} \quad \limsup_{N \rightarrow \infty} N^{-2} \log \left(\sum_l u_{l,N} \right) \leq \max_l \limsup_{N \rightarrow \infty} N^{-2} \log u_{N,l}.$$

Furthermore, we apply Lemma 5.9 to $\gamma = 1$, and $X_t = \widetilde{V}_{N,i}(A, \varepsilon, H_t, \widehat{\eta})$, to obtain that

$$\begin{aligned} \frac{1}{N^2} \log \mathbb{E}_{\mu_\alpha^{\lambda,0}} \left[\exp \left(N^2 \int_0^T \widetilde{V}_{N,i}(A, \varepsilon, H_t, \widehat{\eta}(t)) dt \right) \right] \\ \leq 2T\lambda^2 + \frac{1}{2} \int_0^T dt \sup_\varphi \left\{ 2\mathbb{E}_\alpha^* \left(\varphi \widetilde{V}_{N,i}(A, \varepsilon, H_t, \widehat{\eta}) \right) - D(\varphi) \right\}, \end{aligned}$$

where the supremum is taken over all densities w.r.t. μ_α^* . We obtain the same bound with $\widetilde{W}_{N,i}$ instead of $\widetilde{V}_{N,i}$. Letting

$$K(T, \lambda, \beta, \widehat{\rho}_0) = K_0(T, \beta, \widehat{\rho}_0) + 2T\lambda^2,$$

to prove Lemma 5.16 it is therefore sufficient to show that the second term on the right-hand side of the inequality above is non-positive for some constant A . This will be implied by Lemma 5.17 below, since the time integral is now only applied to H . \square

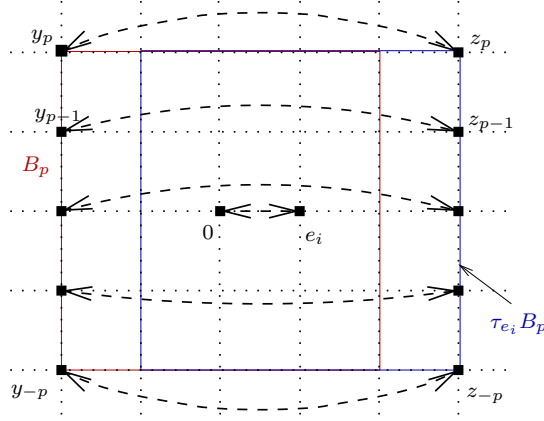
Lemma 5.17. — *Let $p > 1$ be some fixed integer, there exists a positive constant A_0 depending only on p such that for any $H \in C^1(\mathbb{T}^2)$, and $\varepsilon > 0$,*

$$\limsup_{N \rightarrow \infty} \sup_\varphi \left\{ 2\mathbb{E}_\alpha^* \left(\widetilde{V}_{N,i}(A_0, \varepsilon, H, \widehat{\eta}) \varphi \right) - D(\varphi) \right\} \leq 0,$$

and

$$\limsup_{N \rightarrow \infty} \sup_\varphi \left\{ 2\mathbb{E}_\alpha^* \left(\widetilde{W}_{N,i}(\varepsilon, H, \widehat{\eta}) \varphi \right) - D(\varphi) \right\} \leq 0,$$

where the supremums are taken over the densities φ w.r.t the product measure μ_α^* .

FIGURE 5. Change of variable $\hat{\eta} \rightarrow T_{i,p}^0 \hat{\eta}$.

Proof of Lemma 5.17. — We treat in full detail only the first upper bound, which requires to handle the events $E_{p,x}$. The second can be derived in the exact same fashion, and with much less effort. We first work on the expectation of the first part of $\tilde{V}_{N,i}\varphi$, which can be rewritten

$$(5.35) \quad \frac{2}{N} \mathbb{E}_\alpha^* \left(\varphi \sum_{x \in \mathbb{T}_N^2} H(x/N) \frac{1}{\varepsilon N} \sum_{k=0}^{\varepsilon N-1} \left(\eta_{x_k + e_i}^\omega \mathbb{1}_{E_{p,x_{k+1}}} - \eta_{x_k}^\omega \mathbb{1}_{E_{p,x_k}} \right) \right).$$

In order to transfer the gradient appearing in the expression above on φ , we need a specific change of variable described in Figure 5. For that purpose, given x in the torus, we denote for any $m \in \llbracket -p, p \rrbracket$

$$y_m = x - p e_i + m e_{i'} \quad \text{and} \quad z_m = x + (p+1) e_i + m e_{i'},$$

where $i' \neq i$ is the other direction on the torus. Given these, we denote for any configuration $\hat{\eta}$ by

$$T_{i,p}^x(\hat{\eta}) = \left((\hat{\eta}^{x, x+e_i})_{y_{-p}, z_{-p}} \cdots \right)_{y_p, z_p}$$

the configuration where the sites x and $x + e_i$ have been inverted, as well as the boundary sites y_m and z_m , according to Figure 5: the purpose of the inversion between the y_m 's and z_m 's is to transform $\mathbb{1}_{E_{p,x_k}}$ into $\mathbb{1}_{E_{p,x_{k+1}}}$.

By definition of $T_{i,p}^x$, we thus have

$$\eta_x^\omega \mathbb{1}_{E_{p,x}}(T_{i,p}^x \hat{\eta}) = \eta_{x+e_i}^\omega \mathbb{1}_{E_{p,x+e_i}}(\hat{\eta}),$$

therefore

$$\mathbb{E}_\alpha^* \left(\varphi (\eta_{x_k + e_i}^\omega \mathbb{1}_{E_{p,x_{k+1}}} - \eta_{x_k}^\omega \mathbb{1}_{E_{p,x_k}}) \right) = \mathbb{E}_\alpha^* \left[(\varphi(T_{i,p}^{x_k} \hat{\eta}) - \varphi(\hat{\eta})) \eta_{x_k}^\omega \mathbb{1}_{E_{p,x_k}} \right].$$

Thanks to the elementary inequality

$$\begin{aligned} A(\varphi(\hat{\eta}') - \varphi(\hat{\eta})) &\leq A(\sqrt{\varphi(\hat{\eta}')} + \sqrt{\varphi(\hat{\eta})}) (\sqrt{\varphi(\hat{\eta}')} - \sqrt{\varphi(\hat{\eta})}) \\ &\leq \frac{A^2 \gamma}{2} (\sqrt{\varphi(\hat{\eta}')} + \sqrt{\varphi(\hat{\eta})})^2 + \frac{1}{2\gamma} (\sqrt{\varphi(\hat{\eta}')} - \sqrt{\varphi(\hat{\eta})})^2, \end{aligned}$$

and the fact that $|\eta_x^\omega| \leq \|\omega\|_\infty \eta_x$ the quantity $\mathbb{E}_\alpha^* \left(H(x/N) \varphi (\eta_{x_k + e_i}^\omega \mathbb{1}_{E_{p,x_{k+1}}} - \eta_{x_k}^\omega \mathbb{1}_{E_{p,x_k}}) \right)$ can therefore be bounded for any positive γ by

$$(5.36) \quad \frac{\gamma \|\omega\|_\infty^2 H(x/N)^2}{2} \mathbb{E}_\alpha^* \left((\sqrt{\varphi(T_{i,p}^{x_k} \hat{\eta})} + \sqrt{\varphi(\hat{\eta})})^2 \eta_{x_k} \right) + \frac{1}{2\gamma} \mathbb{E}_\alpha^* \left(\mathbb{1}_{E_{p,x_k}} (\sqrt{\varphi(T_{i,p}^{x_k} \hat{\eta})} - \sqrt{\varphi(\hat{\eta})})^2 \right).$$

Since $(a+b)^2 \leq 2(a^2 + b^2)$, the expectation in the left-hand side above can be bounded from above by

$$\gamma \|\omega\|_\infty^2 H(x/N)^2 \mathbb{E}_\alpha^* (\varphi(\eta_{x_{k+1}} + \eta_{x_k})).$$

The corresponding part in (5.35) can therefore be bounded from above by

$$(5.37) \quad \frac{4\gamma \|\omega\|_\infty^2}{N} \sum_{x \in \mathbb{T}_N^2} H(x/N)^2 \frac{1}{\varepsilon N} \sum_{k=0}^{\varepsilon N-1} \mathbb{E}_\alpha^* (\varphi \eta_{x_k}) + \gamma N o_N(1)$$

We now want to estimate the right-hand side of (5.36) by the Dirichlet form. Thanks to the cutoff functions $\mathbb{1}_{E_{p,x_k}}$, for any k , according to Section 3.3 there exists a sequence of allowed jumps in $B_p(x_k)$ allowing to reach $T_{i,p}^{x_k} \hat{\eta}$ from $\hat{\eta}$. More precisely, denote by $(\hat{\eta}^l)_{l \in \{0, \dots, L\}}$ the sequence of configurations such that $\hat{\eta}^0 = \hat{\eta}$, $\hat{\eta}^L = T_{i,p}^{x_k} \hat{\eta}$, and for any $l \leq L$, $\hat{\eta}^{l+1} = (\hat{\eta}^l)^{a_l, b_l}$ for two neighboring sites a_l and b_l such that the jump from a_l to b_l is allowed in $\hat{\eta}^l$. Finally, we can choose L bounded by some constant C_p , and we can safely assume by the construction in the Section 3.3 that each edge in B_p is used at most n_p times. These notations allow us to rewrite for any fixed $k \in \{0, \varepsilon N - 1\}$

$$\begin{aligned} \mathbb{E}_\alpha^* \left((\sqrt{\varphi}(T_{x_k} \hat{\eta}) - \sqrt{\varphi}(\hat{\eta}))^2 \mathbb{1}_{E_{p,x_k}} \right) &= \mathbb{E}_\alpha^* \left[\mathbb{1}_{\tau_{x_k} E_p} \left(\sum_{l=0}^{L-1} \sqrt{\varphi}((\hat{\eta}^l)^{a_l, b_l}) - \sqrt{\varphi}(\hat{\eta}^l) \right)^2 \right] \\ &\leq C_p \mathbb{E}_\alpha^* \left[\sum_{l=0}^{L-1} (\sqrt{\varphi}((\hat{\eta}^l)^{a_l, b_l}) - \sqrt{\varphi}(\hat{\eta}^l))^2 \right] \\ &\leq C_p n_p \mathbb{E}_\alpha^* \left[\sum_{x, x+z \in B_p(x_k)} (\nabla_{x, x+z} \sqrt{\varphi})^2 \right] \leq \tilde{C}_p D_{B_p(x_k)}(\varphi), \end{aligned}$$

where $D_B(\cdot)$ is the Dirichlet form relative to the symmetric generator \mathcal{L} , restricted to having both extremities of the jumps in B , and $\tilde{C}_p = 2C_p n_p$ is a constant depending only on p .

Summing the expression above over x and k , since for any k

$$\sum_{x \in \mathbb{T}_N^2} D_{B_p(x_k)}(\varphi) = (2p+1)^2 D(\varphi),$$

there exists a constant $C'_p = (2p+1)^2 \tilde{C}_p$ such that

$$(5.38) \quad \frac{1}{\varepsilon N} \sum_{x \in \mathbb{T}_N^2} \sum_k \mathbb{E}_\alpha^* \left((\sqrt{\varphi}(T_{i,p}^{x_k} \hat{\eta}) - \sqrt{\varphi})^2 \mathbb{1}_{E_{p,x_k}} \right) \leq C'_p D(\varphi).$$

We finally obtain, thanks to (5.36), (5.37) and (5.38), that for some constant $C(\omega)$, (5.35) can be bounded from above by

$$(5.39) \quad \frac{\gamma C(\omega)}{N} \sum_{x \in \mathbb{T}_N^2} H(x/N)^2 \frac{1}{\varepsilon N} \sum_{k=0}^{\varepsilon N-1} \mathbb{E}_\alpha^* (\varphi \eta_{x_k}) + \gamma N o_N(1) + \frac{C'_p}{\gamma N} D(\varphi).$$

We then let $\gamma = C'_p/N$, and set $A_0 = C'_p C(\omega)/2$ to obtain that the first bound in Lemma 5.17 holds.

The second term is much easier to derive, and follows the exact same steps as the first. The key idea however, is that this time

$$\eta_{x_{k+1}} - \eta_{x_k} = \eta_{x_{k+1}}(1 - \eta_{x_k}) - \eta_{x_k}(1 - \eta_{x_{k+1}}),$$

and we only need a change of variable $\hat{\eta} \rightarrow \hat{\eta}^{x_k, x_{k+1}}$ to make the Dirichlet form directly appear. \square

Lemma 5.16 allows us to complete the proof of Theorem 5.14. Once again, we only treat in full detail the case of $F^{\omega, p}(\hat{\rho})$, the proof for ρ follows directly.

Proof of Theorem 5.14. — Recall that we defined in Section 3.1 $\mathbb{P}_{\mu_N}^{\lambda, \beta}$, the measure on the space $D([0, T], \mathbb{T}_N^2)$ of the AEP $\hat{\eta}(s)$ started with the measure μ^N , and Q^N is the measure on the corresponding measure space $\mathcal{M}^{[0, T]}$. Let us introduce

$$\varphi_\delta(u) = (2\delta)^{-2} \mathbb{1}_{[-\delta, \delta]^2}.$$

For any trajectory (π_t) in $\mathcal{M}^{[0,T]}$, we define the density profile of the torus (in the sense of Definition 3.1) $\widehat{\rho}_t^\delta$

$$\widehat{\rho}_t^\delta(u, d\theta) = \langle \pi_t(\cdot, d\theta), \varphi_\delta(\cdot + u) \rangle = \int_{\mathbb{T}^2} \varphi_\delta(v + u) \pi_t(dv, d\theta).$$

The application

$$\pi \mapsto \int_0^T F^{\omega,p}(\widehat{\rho}_t^\delta(u, \cdot)) dt,$$

defined for any trajectory $\pi \in \mathcal{M}^{[0,T]}$, is continuous for Skorohod's topology described in Section 5.4. Letting Q^* be a weak limit point of (Q^N) , Lemma 5.16 therefore yields that

$$\limsup_{\delta \rightarrow 0} \mathbb{E}_{Q^*} \left(\max_{1 \leq l \leq k} \iint_{[0,T] \times \mathbb{T}^2} \frac{H_t^l(u)}{\varepsilon} \left(F^{\omega,p}(\widehat{\rho}_t^\delta(u + \varepsilon e_i, \cdot)) - F^{\omega,p}(\widehat{\rho}_t^\delta(u, \cdot)) \right) - A_0 \frac{H_t^l(u)^2}{\varepsilon} \left[\int_{[u, u + \varepsilon e_i]} \rho_t^\delta(v) dv \right] dudt \right) \leq K,$$

where $\rho_t^\delta(v) = \langle \pi_t, \varphi_\delta(v - \cdot) \rangle$. Since thanks to Lemma 5.13 any limit point Q^* of (Q^N) is concentrated on trajectories absolutely continuous w.r.t. the Lebesgue measure on \mathbb{T}^2 , letting δ then ε go to 0, by dominated convergence, we obtain that

$$\mathbb{E}_{Q^*} \left(\max_{1 \leq l \leq k} \iint_{[0,T] \times \mathbb{T}^2} [\partial_{u_i} H_t^l(u) F^{\omega,p}(\widehat{\rho}_t(u)) - A_0 H_t^l(u)^2 \rho_t(u)] dudt \right) \leq K,$$

where $\widehat{\rho}_t$ is the density profile on torus, which exists Q^* -a.s. according to Lemma 5.13, such that $\pi_t(du, d\theta) = \widehat{\rho}_t(u, d\theta) du$. By monotone convergence, and since the sequence (H_l) is dense in $C^{0,1}([0,T] \times \mathbb{T}^2)$, the measure Q^* is concentrated on the trajectories $\widehat{\rho}$ for which there exists a constant A_0 , such that for any i

$$(5.40) \quad \mathbb{E}_{Q^*} \left(\sup_H \iint_{[0,T] \times \mathbb{T}^2} [\partial_{u_i} H_t(u) F^{\omega,p}(\widehat{\rho}_t(u)) - A_0 H_t(u)^2 \rho_t(u)] dudt \right) \leq K,$$

where the supremum is taken over all functions $H \in C^{0,1}([0,T] \times \mathbb{T}^2)$. Let us first assume that ω is a non-negative function, then

$$(G, H) = \int_{[0,T] \times \mathbb{T}^2} G_t(u) H_t(u) \rho_t(u) dudt,$$

is an inner product on $C^{0,1}([0,T] \times \mathbb{T}^2)$. Let L_ρ^2 denote the resulting Hilbert space. Finally, let us denote f_i the linear operator

$$f_i(H) = \iint_{[0,T] \times \mathbb{T}^2} \partial_{u_i} H_t(u) F^{\omega,p}(\widehat{\rho}_t(u)) dudt,$$

then equation (5.40) yields that for any positive constant r , $r f_i(H) - r^2 A_0(H, H) \leq K$, i.e.

$$f_i(H) \leq \frac{1}{r} K + r A_0(H, H).$$

Letting $r = \sqrt{K/A_0(H, H)}$, and $C_0 = \sqrt{K} \left(\sqrt{A_0} + \sqrt{A_0}^{-1} \right)$, we obtain that for any function $H \in C^{0,1}([0,T] \times \mathbb{T}^2)$,

$$f_i(H) \leq C_0(H, H)^{1/2}.$$

Thus the operator f_i is bounded in L_ρ^2 . Therefore, for any i , Riesz's representation Theorem yields that there exists a function denoted $\widetilde{F}_i^{\omega,p}(\widehat{\rho}_t(u)) \in L_\rho^2$ such that for any $H \in C^{0,1}([0,T] \times \mathbb{T}^2)$,

$$f_i(H) = \iint_{[0,T] \times \mathbb{T}^2} \partial_{u_i} H_t(u) F^{\omega,p}(\widehat{\rho}_t(u)) dudt = \iint_{[0,T] \times \mathbb{T}^2} H_t(u) \widetilde{F}_i^{\omega,p}(\widehat{\rho}_t(u)) \rho_t(u) dudt.$$

Letting $\partial_{u_i} F^{\omega,p}(\widehat{\rho}_t(u)) = \rho_t(u) \widetilde{F}_i^{\omega,p}(\widehat{\rho}_t(u)) \in L^1([0,T] \times \mathbb{T}^2)$, we obtain the wanted result. We can follow the same strategy if ω is non-positive, which we only used so that (G, H) would be positive, and finally also for any ω since the wanted identity is linear in ω . \square

Remark 5.18. — We have proven in the previous theorem that the differentials $\partial_{u_i} F^{\omega,p}(\widehat{\rho}_t(u))$ exist. Following the same exact strategy and replacing $\eta_0^\omega \mathbb{1}_{E_p}$ by η_0 , it is easily derived that ρ is also in H^1 . This time, there is no need for the cutoff functions, since this time the currents and gradients vanish as soon as the configuration is full, and the Dirichlet form appears naturally.

To any density profile on the torus $\widehat{\rho}$, we associate ρ^ω the angle density smoothed out by ω

$$\rho^\omega(u) = \int_{\mathbb{S}} \omega(\theta) \widehat{\rho}(u, d\theta).$$

For any large p , and assuming that the density does not go to 1, $F^{\omega,p}(\widehat{\rho}_t(u))$ is close to $\rho_t^\omega(u)$, and since the gradient of $F^{\omega,p}(\widehat{\rho}_t(u))$ is well-defined according to Theorem 5.14, that of $\rho_t^\omega(u)$ should also be well-defined. However, when the density reaches 1, this is no longer the case, and the definition of $\partial_{u_i} \rho_t^\omega(u)$ becomes problematic. However, this issue can be solved, because the diffusion coefficient relative to $\rho_t^\omega(u)$ is $d_s(\rho)$, which vanishes as the density ρ reaches 1. This construction of $\partial_{u_i} \rho_t^\omega(u)$ is given by the following Corollary of Theorem 5.14.

Corollary 5.19. — *Any limit point Q^* of the measure sequence $(Q^N)_N$ is concentrated on trajectories $\pi_t(du, d\theta) = \widehat{\rho}_t(u, d\theta)du$ such that there exists functions $d_s(\rho)\partial_{u_i}\rho_t^\omega$ in $L^2([0, T] \times \mathbb{T}^2)$, verifying for any smooth function $G \in C^{0,2}([0, T] \times \mathbb{T}^2)$,*

$$\int_{[0, T] \times \mathbb{T}^2} \rho_t^\omega \partial_{u_i} [d_s(\rho)G_t(u)] dudt = - \int_{[0, T] \times \mathbb{T}^2} G_t(u) d_s(\rho) \partial_{u_i} \rho_t^\omega dudt.$$

Proof of Corollary 5.19. — In order to obtain the functions $\partial_{u_i} \rho_t^\omega$, recall that \widetilde{E}_p is the event on which at least two sites in $B_p \setminus \{0\}$ are empty. In order to make E_p and η_0 independent, we let

$$\widetilde{E}_p = \left\{ \sum_{x \in B_p, x \neq 0} \eta_x \leq (2p+1)^2 - 3 \right\}.$$

Then, \widetilde{E}_p and $\widehat{\eta}_0$ are independent by construction, and

$$(5.41) \quad F^{\omega,p}(\widehat{\rho}_t(u)) = \rho_t^\omega \mathbb{P}_{\widehat{\rho}_t(u)}(\widetilde{E}_p).$$

Also note that $\mathbb{P}_{\widehat{\rho}_t(u)}(\widetilde{E}_p)$ depends on $\widehat{\rho}_t(u)$ only through $\rho(u)$,

$$\mathbb{P}_{\widehat{\rho}_t(u)}(\widetilde{E}_p) = 1 - (\rho_t(u) + 4p(p+1)(1 - \rho_t(u)))\rho_t(u)^{4p(p+1)-1}.$$

For any $\rho \neq 1$, we can use equation (5.41), and define the derivative as

$$d_s(\rho_t)\partial_{u_i}\rho_t^\omega = \frac{d_s(\rho_t)}{\mathbb{P}_{\widehat{\rho}_t(u)}(\widetilde{E}_p)} \left(F^{\omega,p}(\widehat{\rho}_t(u)) - \rho_t^\omega \mathbb{P}_{\widehat{\rho}_t(u)}(\widetilde{E}_p) \right).$$

Note that a priori this definition depends on p . In fact, the construction ensures that it does not, but since this is not a crucial point of the proof, we do not develop it further. This quantity is well-defined since ρ and $F^{\omega,p}(\widehat{\rho}_t(u))$ are in H_1 according to Theorem 5.14, and since $d_s(\rho_t)/\mathbb{P}_{\widehat{\rho}_t(u)}(\widetilde{E}_p)$ admits a finite limit as ρ goes to 1, thus concluding the proof of Corollary 5.19. \square

6. Non-gradient estimates

6.1. Replacement of the symmetric current by a macroscopic gradient. — *In this Section, we focus on the complete exclusion process, and replace the current j_x^ω by a quantity of the form $\tau_{e_i} h - h + \mathcal{L}f$, with f a function of the configuration with infinite support. We then show that the perturbation $\mathcal{L}f$ is of the same order as the weakly asymmetric contribution, and they both contribute to the drift term of equation (2.13). To obtain the non gradient estimates, we use the formalism developed in [27] rather than that of [35]. This changes the proof substantially, with the upside that the orders in N , as well as the studied quantities, are clearly identified at any given point of the proof.*

One of the challenges in proving the non-gradient hydrodynamic limit is to replace the local particle currents j_i^ω by the gradient of a function of the empirical measure. Recall that we already defined in equation (2.22) the empirical angle measure $\widehat{\rho}_l \in \mathcal{M}_1(\mathbb{S})$,

$$\widehat{\rho}_l = \frac{1}{(2l+1)^2} \sum_{x \in B_l} \eta_x \delta_{\theta_x},$$

and we denote by ρ_l the empirical density

$$\rho_l = \frac{1}{(2l+1)^2} \sum_{x \in B_l} \eta_x = \widehat{\rho}_l(\mathbb{S}).$$

Let

$$\rho_l^\omega = \frac{1}{(2l+1)^2} \sum_{x \in B_l} \eta_x^\omega,$$

be the average of η^ω over a box of side $2l+1$. Finally, for any function φ on Σ_N , recall that δ_i is the discrete derivative

$$\delta_i \varphi = \tau_{e_i} \varphi - \varphi$$

(for example, $\delta_i \eta_0^\omega = \eta_{e_i}^\omega - \eta_0^\omega$).

The usual strategy in the proof of the non-gradient hydrodynamic limit is to show that for some coefficients $\mathfrak{d}^\omega, \mathfrak{d} : [0, 1] \times \mathbb{R} \rightarrow \mathbb{R}^+$,

$$j_i^\omega + \mathfrak{d}^\omega(\rho_{\varepsilon N}, \rho_{\varepsilon N}^\omega) \delta_i \rho_{\varepsilon N}^\omega + \mathfrak{d}(\rho_{\varepsilon N}, \rho_{\varepsilon N}^\omega) \delta_i \rho_{\varepsilon N}$$

vanishes as $N \rightarrow \infty$. More precisely, the quantity above is in the range of the generator \mathcal{L} , which is usually sufficient when the functions of the form $\mathcal{L}f$ are negligible. In our case, however, due to the addition of a weak drift, the usual martingale estimate does not yield that $\mathcal{L}f$ is negligible, but that $\mathcal{L}^\mathbb{D}f = (\mathcal{L} + N^{-1}\mathcal{L}^{\text{WA}})f$ is negligible, therefore this perturbation can be integrated to the drift part, which is done in Section 6.9.

For this replacement, we will need further notations similar to the ones introduced in Section 4.1. In our case, the diffusion coefficient $\mathfrak{d}^\omega(\rho, \rho^\omega)$ is in fact the self-diffusion coefficient $d_s(\rho)$, therefore we will from now on simply write $d_s(\rho)$ for the diffusion coefficient relative to ρ^ω . Note that it depends on the configuration only through the empirical density, and not on the particle angles. For any positive integer l , and any cylinder function f , let us thus denote

$$\mathcal{V}_i^{f, \varepsilon N}(\widehat{\eta}) = j_i^\omega + d_s(\rho_{\varepsilon N}) \delta_i \rho_{\varepsilon N}^\omega + \mathfrak{d}(\rho_{\varepsilon N}, \rho_{\varepsilon N}^\omega) \delta_i \rho_{\varepsilon N} - \mathcal{L}f,$$

where $\mathfrak{d} : [0, 1] \times \mathbb{R} \rightarrow \mathbb{R}^+$ is the diffusion coefficient given in (2.12).

We introduce for any smooth function $G \in C^2(\mathbb{T}^2)$

$$(6.1) \quad X_{i,N}^{f, \varepsilon N}(G, \widehat{\eta}) = \frac{1}{N} \sum_{x \in \mathbb{T}_N^2} G(x/N) \tau_x \mathcal{V}_i^{f, \varepsilon N}.$$

Our goal throughout this Section is to prove that under the measure of our process, $X_{i,N}^{f, \varepsilon N}(G, \widehat{\eta})$ vanishes for any smooth function G , i.e. that the microscopic currents can be replaced by a macroscopic average of the gradients up to a perturbation $\mathcal{L}f$ that will be dealt with later on.

The sum contains N^2 terms, and the normalization is only $1/N$, therefore an order N has to be gained, and this is the major difficulty of the non-gradient dynamics. To prove this statement, we decompose $X_{i,N}^{f, \varepsilon N}(G, \widehat{\eta})$ into distinct vanishing parts. We already introduced in Equation (3.17) the set

$$E_{p,x} = \left\{ \sum_{|y-x| \leq p} \eta_y \leq |B_p| - 2 \right\},$$

such that at least two sites are empty in a vicinity of x of size p . The cutoff functions $\mathbb{1}_{E_{p,x}}$ are crucial in order to control the local variations of the measure of the process with the Dirichlet form.

We set for any integer l

$$(6.2) \quad \rho_l^{\omega,p} = \frac{1}{(2l+1)^2} \sum_{x \in B_l} \eta_x^\omega \mathbb{1}_{E_{p,x}} \quad \text{and} \quad \bar{\rho}_l^{\omega,p} = \rho_l^\omega - \rho_l^{\omega,p} = \frac{1}{(2l+1)^2} \sum_{x \in B_l} \eta_x^\omega \mathbb{1}_{E_{p,x}^c},$$

where $E_{p,x}^c$ is the complementary event of $E_{p,x}$.

We are now ready to split $X_{i,N}^{f,\varepsilon N}$ into 4 vanishing parts. Let us denote by

$$\mathcal{W}_1 = \mathcal{W}_{i,1}^{f,l}(\hat{\eta}) = j_i^\omega - \langle j_i^\omega \rangle_0^{l'} - \left(\mathcal{L}f - \langle \mathcal{L}f \rangle_0^{l-s_f} \right),$$

the difference between $j_i^\omega - \mathcal{L}f$ and their local average, and by

$$\mathcal{W}_2 = \mathcal{W}_{i,2}^{\varepsilon N,p}(\hat{\eta}) = d_s(\rho_{\varepsilon N}) \delta_i \bar{\rho}_{\varepsilon N}^{\omega,p}$$

the mesoscopic contributions of full clusters, where $\bar{\rho}_{\varepsilon N}^{\omega,p}$ was defined in equation (6.2) above. Let us also introduce

$$\mathcal{W}_3 = \mathcal{W}_{i,3}^{l,\varepsilon N,p}(\hat{\eta}) = d_s(\rho_{\varepsilon N}) \delta_i \rho_{\varepsilon N}^{\omega,p} - d_s(\rho_l) \delta_i \rho_{l_p}^{\omega,p} + \mathfrak{d}(\rho_{\varepsilon N}, \rho_{\varepsilon N}^\omega) \delta_i \rho_{\varepsilon N} - \mathfrak{d}(\rho_l, \rho_l^\omega) \delta_i \rho_{l_p},$$

where $l_p = l - p - 1$ and $l' = l - 1$, which is the difference between the cutoff microscopic and macroscopic gradients. Note that the cutoff functions are not needed for the total density ρ , because the gradients will vanish on full configurations. Finally, we set

$$(6.3) \quad \mathcal{W}_4 = \mathcal{W}_{i,4}^{f,l,p}(\hat{\eta}) = \langle j_i^\omega \rangle_0^{l'} + d_s(\rho_l) \delta_i \rho_{l_p}^{\omega,p} + \mathfrak{d}(\rho_l, \rho_l^\omega) \delta_i \rho_{l_p} - \langle \mathcal{L}f \rangle_0^{l-s_f},$$

the microscopic difference between currents and gradients, taking into consideration the perturbation $\mathcal{L}f$. For any smooth function $G \in C^2(\mathbb{T}^2)$, we also introduce

$$Y_1 = Y_{i,1}^{f,l}(G, \hat{\eta}) = \frac{1}{N} \sum_{x \in \mathbb{T}_N^2} G(x/N) \tau_x \mathcal{W}_1, \quad Y_2 = Y_{i,2}^{\varepsilon N,p}(G, \hat{\eta}) = \frac{1}{N} \sum_{x \in \mathbb{T}_N^2} G(x/N) \tau_x \mathcal{W}_2,$$

$$Y_3 = Y_{i,3}^{l,\varepsilon N,p}(G, \hat{\eta}) = \frac{1}{N} \sum_{x \in \mathbb{T}_N^2} G(x/N) \tau_x \mathcal{W}_3 \quad \text{and} \quad Y_4 = Y_{i,4}^{f,l,p}(G, \hat{\eta}) = \frac{1}{N} \sum_{x \in \mathbb{T}_N^2} G(x/N) \tau_x \mathcal{W}_4.$$

By construction,

$$X_{i,N}^{f,\varepsilon N}(G, \hat{\eta}) = \sum_{k=1}^4 Y_k(G, \hat{\eta}).$$

We can now state the main result of this Section.

Theorem 6.1. — *Let G be a smooth function in $C^{1,2}([0, T] \times \mathbb{T}^2)$, $T \in \mathbb{R}_+$, and $i \in \{1, 2\}$. For any cylinder function f ,*

$$(6.4) \quad \limsup_{l \rightarrow \infty} \limsup_{N \rightarrow \infty} \mathbb{E}_{\mu^N}^{\lambda, \beta} \left(\left| \int_0^T Y_{i,1}^{f,l}(G_t, \hat{\eta}(t)) dt \right| \right) = 0.$$

Furthermore,

$$(6.5) \quad \lim_{p \rightarrow \infty} \limsup_{\varepsilon \rightarrow 0} \limsup_{N \rightarrow \infty} \mathbb{E}_{\mu^N}^{\lambda, \beta} \left(\left| \int_0^T Y_{i,2}^{\varepsilon N,p}(G_t, \hat{\eta}(t)) dt \right| \right) = 0.$$

For any integer $p > 1$,

$$(6.6) \quad \limsup_{l \rightarrow \infty} \limsup_{\varepsilon \rightarrow 0} \limsup_{N \rightarrow \infty} \mathbb{E}_{\mu^N}^{\lambda, \beta} \left(\left| \int_0^T Y_{i,3}^{l,\varepsilon N,p}(G_t, \hat{\eta}(t)) dt \right| \right) = 0.$$

Finally,

$$(6.7) \quad \inf_f \lim_{p \rightarrow \infty} \limsup_{l \rightarrow \infty} \limsup_{N \rightarrow \infty} \mathbb{E}_{\mu^N}^{\lambda, \beta} \left(\left| \int_0^T Y_{i,4}^{f,l,p}(G_t, \hat{\eta}(t)) dt \right| \right) = 0,$$

where the infimum in f is taken over the set \mathcal{C} of cylinder functions.

The core of this Section is dedicated to proving these four estimates. The proof of equation (6.4) is immediate and is sketched in Section 6.2.

Equation (6.5) is quite delicate, and requires both the control on full clusters derived in equation (3.18) and the energy estimate (5.34). It is proved in Section 6.3, in which the main challenge, as in the control of full clusters, is to carry out the macroscopic estimate (5.34) in a microscopic setup.

The proof of equation (6.6) is given in Section 6.4. This limit is the non-gradient counterpart of the two-block estimate stated in Lemma 4.4. It follows closely the replacement of local gradients by their macroscopic counterparts performed in Lemma 3.1, p.156 of [27], but needs some technical adaptation due to the presence of the cutoff functions.

The last limit (6.7) requires the tools developed by Varadhan and Quastel [48] [35] for the hydrodynamic limit for non-gradient systems, and therefore requires more work. It is the non-gradient of the one-block estimate of Lemma 4.3. However, if the latter was essentially a consequence of the law of large numbers, (6.7) is analogous to the central limit theorem, where the gradient term plays the role of $-\mathbb{E}(j_i^\omega)$. The limit (6.7) is the focus of Sections 6.5-6.8.

Finally, Section 6.9, and in particular Lemma 6.44, is dedicated to the integration of the contribution $\mathcal{L}f$ to the drift part of the scaling limit.

These four estimates are sufficient to allow the replacement of currents by macroscopic averages of gradients, up to a perturbation $\mathcal{L}f$.

Corollary 6.2. — *Let G be a smooth function in $C^{1,2}([0, T] \times \mathbb{T}^2)$, and $T \in \mathbb{R}_+^*$, and consider $X_{i,N}^{f,\varepsilon N}$ introduced in (6.1). Then for $i \in \{1, 2\}$*

$$(6.8) \quad \inf_f \limsup_{\varepsilon \rightarrow 0} \limsup_{N \rightarrow \infty} \mathbb{E}_{\mu_N^{\lambda,\beta}} \left[\left| \int_0^T X_{i,N}^{f,\varepsilon N}(G_t, \hat{\eta}(t)) dt \right| \right] = 0.$$

Proof of Corollary 6.2. — Since

$$X_{i,N}^{f,\varepsilon N}(G, \hat{\eta}) = \sum_{k=1}^4 Y_k(G, \hat{\eta}),$$

this Corollary follows immediately from the triangular inequality, and Theorem 6.1 above, taking the limits $N \rightarrow \infty$, then $\varepsilon \rightarrow 0$ then $l \rightarrow \infty$, then $p \rightarrow \infty$, and finally the infimums over the local functions f . \square

6.2. Replacement of the currents and $\mathcal{L}f$ by their local average. — In this paragraph, we prove equation (6.4), i.e. that for any $i = 1, 2$, any function $G \in C^{1,2}([0, T] \times \mathbb{T}^2)$, and any cylinder function f ,

$$\limsup_{l \rightarrow \infty} \limsup_{N \rightarrow \infty} \mathbb{E}_{\mu_N^{\lambda,\beta}} \left(\left| \int_0^T Y_1(G_t, \hat{\eta}(t)) dt \right| \right) = 0.$$

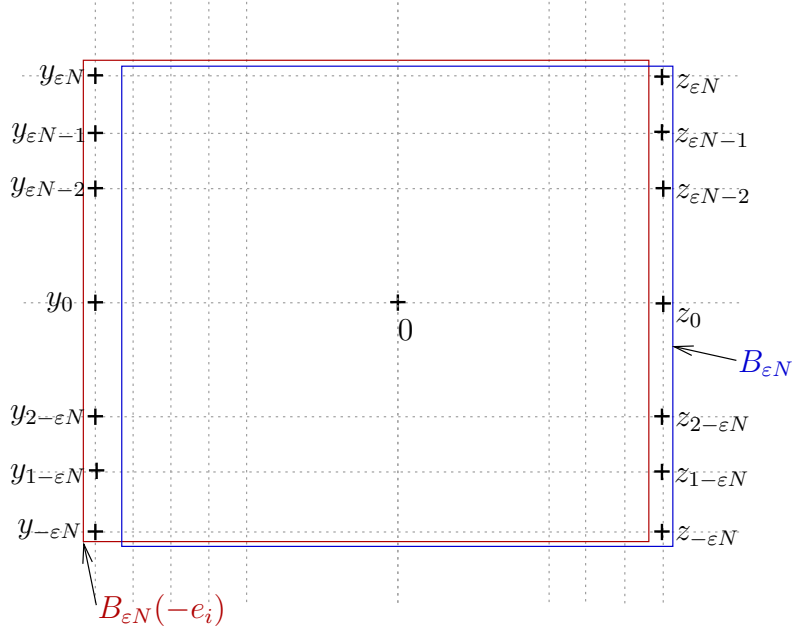
We set

$$G^{l,N}(x/N) = \frac{1}{(2l+1)^2} \sum_{y \in \mathbb{T}_N^2, |y-x| \leq l} G(y/N),$$

an integration by parts guarantees that, shortening $l' = l - 1$

$$\begin{aligned} \frac{1}{N} \sum_{x \in \mathbb{T}_N^2} G(x/N) \left(j_{x,x+e_i}^\omega - \frac{1}{(2l'+1)^2} \sum_{|y-x| \leq l'} j_{y,y+e_i}^\omega \right) \\ = \frac{1}{N} \sum_{x \in \mathbb{T}_N^2} \left(G(x/N) - G^{l',N}(x/N) \right) j_{x,x+e_i}^\omega \leq \frac{C(G)l^2}{N}. \end{aligned}$$

since the difference $G(x/N) - G^{l',N}(x/N)$ is a discrete Laplacian, and is therefore of order l^2/N^2 , and the currents $j_{x,x+e_i}^\omega$ are bounded. By the same reasoning, letting $l_f = l - s_f$, we obtain a similar bound on


 FIGURE 6. Definition of the y_k 's and z_k 's.

the difference

$$\frac{1}{N} \sum_{x \in \mathbb{T}_N^2} G(x/N) \left(\tau_x \mathcal{L}f - \frac{1}{(2l_f + 1)^2} \sum_{|y-x| \leq l_f} \tau_y \mathcal{L}f \right) \leq \frac{C'(G, f)l^2}{N},$$

since $\mathcal{L}f$ is a bounded function (this last statement comes from the fact that f is, and depends only on a finite number of sites). These two bounds finally yield that for some constant $K = C(G) + C'(G, f)$,

$$|Y_1(G, \hat{\eta})| \leq \frac{Kl^2}{N},$$

which immediately yields equation (6.4) for any cylinder function f .

6.3. Estimation of the gradients on full clusters. — We now prove that equation (6.5) holds. Our goal is to bound $Y_{i,2}^{\varepsilon N,p}(G, \hat{\eta}(s))$ thanks to the control of full clusters functions obtained in (3.18), and to the energy estimate (5.34). For the sake of clarity, we drop the various dependencies, and simply write

$$Y_2 = Y_{i,2}^{\varepsilon N,p}.$$

By definition of Y_2 and $\bar{\rho}_{\varepsilon N}^{\omega,p}$ (6.2),

$$\begin{aligned} Y_2(G, \hat{\eta}) &= \frac{1}{N} \sum_{x \in \mathbb{T}_N^2} G(x/N) \tau_x (d_s(\rho_{\varepsilon N}) \delta_i \bar{\rho}_{\varepsilon N}^{\omega,p}) \\ &= \frac{1}{N} \sum_{x \in \mathbb{T}_N^2} G(x/N) \tau_x \left(d_s(\rho_{\varepsilon N}) \left[\frac{1}{(2\varepsilon N + 1)^2} \sum_{y \in B_{\varepsilon N}(e_i)} \eta_y^\omega \mathbb{1}_{E_{p,y}^c} - \frac{1}{(2\varepsilon N + 1)^2} \sum_{y \in B_{\varepsilon N}} \eta_y^\omega \mathbb{1}_{E_{p,y}^c} \right] \right), \end{aligned}$$

and we can rewrite it by summation by parts as

(6.9)

$$Y_2(G, \hat{\eta}) = \frac{1}{N} \sum_{x \in \mathbb{T}_N^2} \eta_x^\omega \mathbb{1}_{E_{p,x}^c} \frac{1}{(2\varepsilon N + 1)^2} \tau_x \left(\sum_{y \in B_{\varepsilon N}(-e_i)} G(y/N) \tau_y d_s(\rho_{\varepsilon N}) - \sum_{y \in B_{\varepsilon N}} G(y/N) \tau_y d_s(\rho_{\varepsilon N}) \right).$$

Most of the terms in the parenthesis above cancel out, since the boxes $B_{\varepsilon N}(-e_i)$ and $B_{\varepsilon N} = B_{\varepsilon N}(0)$ overlap except on the two sides (cf. Figure 6).

For any $k \in \llbracket -\varepsilon N, \varepsilon N \rrbracket$, we let according to Figure 6

$$y_k = -(\varepsilon N + 1)e_i + ke_{i'} \quad \text{and} \quad z_k = \varepsilon N e_i + ke_{i'},$$

where $i' \neq i$ is the second direction on the torus, which are defined so that $B_{\varepsilon N}(-e_i) \setminus B_{\varepsilon N} = \{y_{-\varepsilon N}, \dots, y_{\varepsilon N}\}$ and $B_{\varepsilon N} \setminus B_{\varepsilon N}(-e_i) = \{z_{-\varepsilon N}, \dots, z_{\varepsilon N}\}$.

We thus obtain from (6.9)

$$(6.10) \quad Y_2(G, \hat{\eta}(s)) = \frac{1}{N} \sum_{x \in \mathbb{T}_N^2} \eta_x^\omega \mathbb{1}_{E_{p,x}^c} \frac{1}{(2\varepsilon N + 1)^2} \left(\sum_{k=-\varepsilon N}^{\varepsilon N} G\left(\frac{x+y_k}{N}\right) d_s(\tau_{x+y_k} \rho_{\varepsilon N}) - G\left(\frac{x+z_k}{N}\right) d_s(\tau_{x+z_k} \rho_{\varepsilon N}) \right).$$

We can now rewrite the quantity inside the parenthesis as the sum over k of

$$\left[G\left(\frac{x+y_k}{N}\right) - G\left(\frac{x+z_k}{N}\right) \right] d_s(\tau_{x+y_k} \rho_{\varepsilon N}) - G\left(\frac{x+z_k}{N}\right) [d_s(\tau_{x+z_k} \rho_{\varepsilon N}) - d_s(\tau_{x+y_k} \rho_{\varepsilon N})].$$

Since y_k and z_k are distant of $2\varepsilon N + 1$, the first term in the decomposition above can be bounded in absolute value uniformly in x and k by $(2\varepsilon N + 1) \|\partial_{u_i} G\|_\infty / N$. Let $C(G, \omega) = \|\partial_{u_i} G\|_\infty \|\omega\|_\infty \|d_s\|_\infty$, the corresponding contribution in (6.10) is

$$\frac{1}{N} \sum_{x \in \mathbb{T}_N^2} \underbrace{\eta_x^\omega}_{\leq \|\omega\|_\infty} \mathbb{1}_{E_{p,x}^c} \frac{1}{(2\varepsilon N + 1)^2} \left(\sum_{k=-\varepsilon N}^{\varepsilon N} \underbrace{\left[G\left(\frac{x+y_k}{N}\right) - G\left(\frac{x+z_k}{N}\right) \right]}_{\leq (2\varepsilon N + 1) \|\partial_{u_i} G\|_\infty / N} \underbrace{d_s(\tau_{x+y_k} \rho_{\varepsilon N})}_{\leq \|d_s\|_\infty} \right),$$

and can therefore be bounded by

$$\frac{C(G, \omega)}{N^2} \sum_{x \in \mathbb{T}_N^2} \mathbb{1}_{E_{p,x}^c}.$$

Furthermore, since d_s is C^∞ on $[0, 1]$, it is Lipschitz-continuous on $[0, 1]$ with lipschitz constant c , we let $C'(G, \omega) = c \|G\|_\infty \|\omega\|_\infty / 2$. We can now write thanks to the previous considerations that

$$|Y_2| \leq \frac{C(G, \omega)}{N^2} \sum_{x \in \mathbb{T}_N^2} \mathbb{1}_{E_{p,x}^c} + \frac{C'(G, \omega)}{N^2} \sum_{x \in \mathbb{T}_N^2} \frac{1}{(2\varepsilon N + 1)} \sum_{k=-\varepsilon N}^{\varepsilon N} \mathbb{1}_{E_{p,x}^c} \frac{|\tau_{x+y_k} \rho_{\varepsilon N} - \tau_{x+z_k} \rho_{\varepsilon N}|}{\varepsilon}.$$

For any positive γ , we have the elementary bound

$$\mathbb{1}_{E_{p,x}^c} \frac{|\tau_{x+y_k} \rho_{\varepsilon N} - \tau_{x+z_k} \rho_{\varepsilon N}|}{\varepsilon} \leq \gamma \mathbb{1}_{E_{p,x}^c} + \frac{1}{\gamma} \frac{(\tau_{x+y_k} \rho_{\varepsilon N} - \tau_{x+z_k} \rho_{\varepsilon N})^2}{\varepsilon^2},$$

and finally, for any positive γ ,

$$(6.11) \quad \begin{aligned} |Y_2| &\leq \frac{C + \gamma C'}{N^2} \sum_{x \in \mathbb{T}_N^2} \mathbb{1}_{E_{p,x}^c} + \frac{C'}{\gamma N^2} \sum_{x \in \mathbb{T}_N^2} \frac{1}{(2\varepsilon N + 1)} \sum_{k=-\varepsilon N}^{\varepsilon N} \frac{(\tau_{x-(\varepsilon N+1)e_i} \rho_{\varepsilon N} - \tau_{x+\varepsilon N e_i} \rho_{\varepsilon N})^2}{\varepsilon^2} \\ &= \frac{C + \gamma C'}{N^2} \sum_{x \in \mathbb{T}_N^2} \mathbb{1}_{E_{p,x}^c} + \frac{C'}{\gamma N^2} \sum_{x \in \mathbb{T}_N^2} \frac{(\tau_{x-(\varepsilon N+1)e_i} \rho_{\varepsilon N} - \tau_{x+\varepsilon N e_i} \rho_{\varepsilon N})^2}{\varepsilon^2}. \end{aligned}$$

Recall that we want to prove (6.5), i.e.

$$\lim_{p \rightarrow \infty} \limsup_{\varepsilon \rightarrow 0} \limsup_{N \rightarrow \infty} \mathbb{E}_{\mu^{\lambda, \beta}} \left(\int_0^T |Y_2(G_t, \hat{\eta}(t))| dt \right) = 0.$$

The contribution of the first term in the bound for $|Y_2|$ in equation (6.11) vanishes for any γ as N then p goes to ∞ , thanks to Proposition 3.12.

Furthermore, we can replace $\tau_{x-(\varepsilon N+1)e_i} \rho_{\varepsilon N}$ by $\tau_{x-\varepsilon N e_i} \rho_{\varepsilon N}$ in (6.11) since the difference between these two quantities is of order $1/N$ and vanishes in the limit $N \rightarrow \infty$. This replacement allows us to work only with quantities that can be expressed in terms of the empirical measure of the process. Equation (6.5) therefore holds according to Lemma 6.3 below, letting γ go to ∞ after $N \rightarrow \infty$ then $\varepsilon \rightarrow 0$ then $p \rightarrow \infty$. \blacksquare

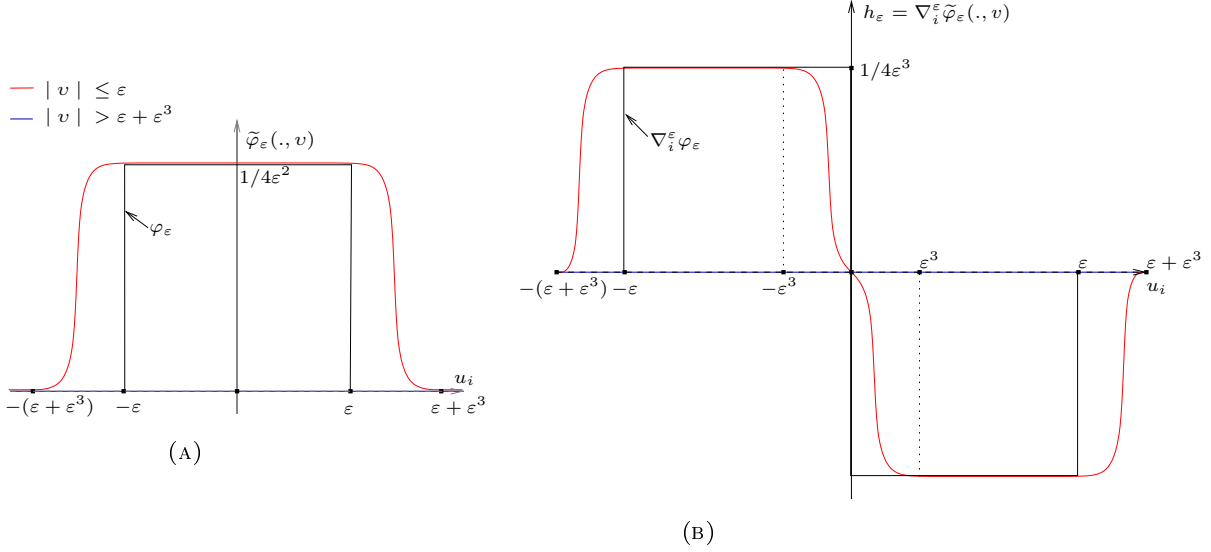


FIGURE 7. (a) Representations of $\tilde{\varphi}_\varepsilon(\cdot, v)$ depending on the value of v .
 (b) Representation of $h_\varepsilon(\cdot, v) = \nabla_i^\varepsilon \tilde{\varphi}_\varepsilon(\cdot, v)$ depending on the value of v .

Lemma 6.3. — *There exists a positive constant K such that*

$$\limsup_{\varepsilon \rightarrow 0} \limsup_{N \rightarrow \infty} \mathbb{E}_{\mu^N}^{\lambda, \beta} \left(\int_0^T \frac{1}{N^2} \sum_{x \in \mathbb{T}_N^2} \frac{(\tau_{x - \varepsilon N e_i} \rho_{\varepsilon N}(t) - \tau_{x + \varepsilon N e_i} \rho_{\varepsilon N}(t))^2}{\varepsilon^2} dt \right) \leq K.$$

Proof of Lemma 6.3. — This Lemma states that the difference of macroscopic densities between two points distant from 2ε is also of order ε , and is a consequence of the energy estimate (5.34). We are going to prove this macroscopic estimate in the topological setup of the space of càdlàg trajectories of measures on $\mathbb{T}^2 \times \mathbb{S}$. Recall from Section 5.4 that $\mathcal{M}(\mathbb{T}^2 \times \mathbb{S})$ is the space of positive measures on the continuous configuration space,

$$\mathcal{M}^{[0, T]} = D([0, T] \times \mathcal{M}(\mathbb{T}^2 \times \mathbb{S}))$$

is the space of right-continuous, left-limit trajectories on the set of measures on $\mathbb{T}^2 \times \mathbb{S}$, and that Q^N is the law on $\mathcal{M}_T(\mathbb{T}^2 \times \mathbb{S})$ of the process empirical measure π^N . We have proved in Proposition 5.11 that the sequence $(Q^N)_{N \in \mathbb{N}}$ is relatively compact for the weak topology. Let $\Lambda_\varepsilon = [\varepsilon, \varepsilon]^2 \subset \mathbb{T}^2$ be the cube of size ε , and $(\varphi_\varepsilon)_{\varepsilon > 0}$ be a family of localizing functions on \mathbb{T}^2

$$\varphi_\varepsilon(\cdot) = \frac{1}{(2\varepsilon)^2} \mathbb{1}_{\Lambda_\varepsilon}(\cdot),$$

we then have

$$\tau_x \rho_{\varepsilon N}(t) = \frac{(2\varepsilon N)^2}{(2\varepsilon N + 1)^2} \langle \pi_t^N, \varphi_\varepsilon(\cdot + x/N) \rangle.$$

For any $u \in \mathbb{T}^2$ we define the *mesoscopic gradient*

$$\nabla_i^\varepsilon \varphi(\cdot) = \varepsilon^{-1} (\varphi(\cdot - \varepsilon e_i) - \varphi(\cdot + \varepsilon e_i)),$$

represented in Figure 7b. Note that $\nabla_i^\varepsilon \varphi_\varepsilon$ is at most of order ε^{-3} since φ_ε is of order ε^{-2} . We can rewrite the left-hand side in Lemma 6.3 as

$$(6.12) \quad \mathbb{E}_{Q^N} \left(\int_0^T \frac{1}{N^2} \sum_{x \in \mathbb{T}_N^2} \langle \pi_t, \nabla_i^\varepsilon \varphi_\varepsilon(\cdot + x/N) \rangle^2 dt \right) + o_N(1).$$

Furthermore, since for any two sites $x, x' \in \mathbb{T}^2$ distant from less than $1/N$,

$$| \langle \pi_t, \nabla_i^\varepsilon \varphi_\varepsilon(\cdot + x/N) \rangle - \langle \pi_t, \nabla_i^\varepsilon \varphi_\varepsilon(\cdot + x'/N) \rangle | \leq C(\varepsilon) \frac{1}{N},$$

we can replace the sum above by the integral over the continuous torus.

However, regarding the weak topology on $\mathcal{M}(\mathbb{T}^2 \times \mathbb{S})$, it will be convenient later on to consider smooth functions instead of φ_ε . We therefore introduce for any ε a function $\tilde{\varphi}_\varepsilon$, represented in Figure 7a verifying

- $\tilde{\varphi}_\varepsilon = \varphi_\varepsilon$ on Λ_ε and on $\mathbb{T}^2 \setminus \Lambda_{\varepsilon+\varepsilon^3}$.
- $\|\tilde{\varphi}_\varepsilon\|_\infty = \|\varphi_\varepsilon\|_\infty$.
- $\tilde{\varphi}_\varepsilon$ is in $C^1(\mathbb{T}^2)$.

Since $\tilde{\varphi}_\varepsilon$ and φ_ε coincide everywhere except on $\Lambda_{\varepsilon+\varepsilon^3} \setminus \Lambda_\varepsilon$, and since $\|\tilde{\varphi}_\varepsilon\|_\infty = (2\varepsilon)^{-2}$ we can write for any $x \in \mathbb{T}_N^2$

$$\begin{aligned} \left| \langle \pi_t^N, \varphi_\varepsilon(\cdot + x/N) \rangle - \langle \pi_t^N, \tilde{\varphi}_\varepsilon(\cdot + x/N) \rangle \right| &\leq \frac{1}{(2\varepsilon)^2} \underbrace{\langle \pi_t^N, \mathbb{1}_{\Lambda_{\varepsilon+\varepsilon^3} \setminus \Lambda_\varepsilon}(\cdot + x/N) \rangle}_{\leq 4\varepsilon \times \varepsilon^3} \\ &\leq C\varepsilon^2, \end{aligned}$$

for some positive constant C . This bound immediately yields

$$\left| \langle \pi_t^N, \nabla_i^\varepsilon \varphi_\varepsilon(\cdot + x/N) \rangle - \langle \pi_t^N, \nabla_i^\varepsilon \tilde{\varphi}_\varepsilon(\cdot + x/N) \rangle \right| \leq C\varepsilon,$$

which allows us to replace in equation (6.12), in the limit $N \rightarrow \infty$ then $\varepsilon \rightarrow 0$, φ_ε by $\tilde{\varphi}_\varepsilon$.

To prove Lemma 6.3 it is therefore sufficient to prove that

$$(6.13) \quad \limsup_{\varepsilon \rightarrow 0} \limsup_{N \rightarrow \infty} \mathbb{E}_{Q^N} \left(\iint_{[0,T] \times \mathbb{T}^2} \langle \pi_t, h_\varepsilon(\cdot + u) \rangle^2 dudt \right) \leq K,$$

where $h_\varepsilon = \nabla_i^\varepsilon \tilde{\varphi}_\varepsilon$, is a continuous bounded function, represented in Figure 7b. Let us denote by Π the subset of $\mathcal{M}^{[0,T]}$

$$\Pi = \left\{ \pi \in \mathcal{M}^{[0,T]}, \quad \sup_{t \in [0,T]} \langle \pi_t, 1 \rangle \leq 1 \right\}$$

of trajectories with mass less than one at all times, which is compact w.r.t Skorohod's topology introduced in Section 5.4.

Consider a weakly convergent subsequence $Q_{N_k} \rightarrow Q^*$, in order to substitute Q^* to Q^N in the limit above, we want to prove that for any fixed $\varepsilon > 0$, the application

$$I_\varepsilon : \pi \mapsto \iint_{[0,T] \times \mathbb{T}^2} \langle \pi_t, h_\varepsilon(\cdot + u) \rangle^2 dudt$$

is bounded, and continuous on Π w.r.t. Skorohod's topology.

Note that this application is bounded on Π by construction, we now prove the following Lemma.

Lemma 6.4. — *Fix $\varepsilon > 0$, the application I_ε is continuous on (Π, d) , where d is the Skorohod metric defined in Equation (A.3).*

Proof of Lemma 6.4. — For any two trajectories π and π' in Π , and some continuous strictly increasing function κ from $[0, T]$ into itself, such that $\kappa_0 = 0$ and $\kappa_T = T$, we can write

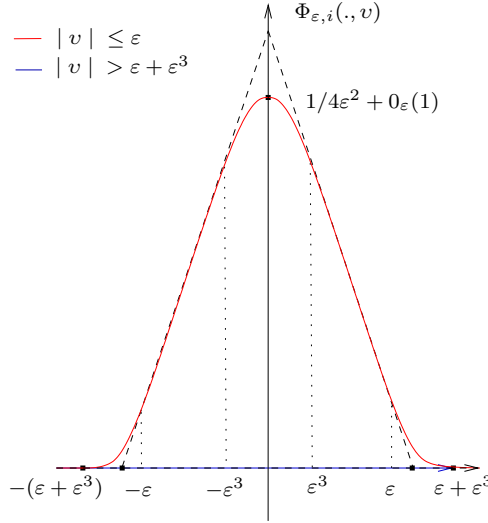
$$I_\varepsilon(\pi) - I_\varepsilon(\pi') = \iint_{[0,T] \times \mathbb{T}^2} du \langle \pi'_t + \pi_t, h_\varepsilon(\cdot + u) \rangle \langle \pi'_t - \pi_{\kappa_t} + \pi_{\kappa_t} - \pi_t, h_\varepsilon(\cdot + u) \rangle dt.$$

The first factor $\langle \pi'_t + \pi_t, h_\varepsilon(\cdot + u) \rangle$ can be crudely controlled by $2\|h_\varepsilon\|_\infty$, which yields

$$(6.14) \quad |I_\varepsilon(\pi) - I_\varepsilon(\pi')| \leq 2\|h_\varepsilon\|_\infty \iint_{[0,T] \times \mathbb{T}^2} |\langle \pi'_t - \pi_{\kappa_t}, h_\varepsilon(\cdot + u) \rangle + \langle \pi_{\kappa_t} - \pi_t, h_\varepsilon(\cdot + u) \rangle| dudt.$$

Note that by definition of $\|\kappa\|$, one easily gets that for any $t \in [0, T]$, $|t - \kappa_t| \leq T(e^{\|\kappa\|} - 1)$, therefore, $\kappa_t \rightarrow t$ uniformly on $[0, T]$ as $\|\kappa\| \rightarrow 0$. Let us fix $\pi \in \Pi$, and assume that $d(\pi, \pi^n) \rightarrow 0$ for some sequence of trajectories $(\pi^n)_n \in \Pi^{\mathbb{N}}$, there exists a sequence $(\kappa^n)_{n \in \mathbb{N}}$ such that $\|\kappa^n\| \rightarrow 0$ and $\lim_{n \rightarrow \infty} \sup_{t \in [0, T]} \delta(\pi_t^n, \pi_{\kappa_t^n}) = 0$. This last statement yields in particular that for any $t \in [0, T]$, $\delta(\pi_t^n, \pi_{\kappa_t^n}) \rightarrow 0$, therefore for any $t \in [0, T]$, and for any $u \in \mathbb{T}^2$,

$$\lim_{n \rightarrow \infty} \langle \pi_t^n - \pi_{\kappa_t^n}, h_\varepsilon(\cdot + u) \rangle = 0,$$


 FIGURE 8. Representation of $\Phi_{\varepsilon,i}(\cdot, v)$ depending on v .

since $h_\varepsilon(\cdot + u)$ is a continuous bounded function, and δ is a metric of the weak convergence. Furthermore, since κ_t^n converges uniformly towards t on $[0, T]$ and since $t \rightarrow \pi_t$ is weakly continuous almost everywhere on $[0, T]$ by definition of $\mathcal{M}^{[0, T]}$, we also have that for any $(t, u) \in [0, T] \times \mathbb{T}^2$,

$$\lim_{n \rightarrow \infty} \langle \pi_{\kappa_t^n} - \pi_t, h_\varepsilon(\cdot + u) \rangle = 0.$$

Since π and the π^n 's are in Π , both of these quantities are crudely bounded in absolute value by $2 \|h_\infty\|$, which is naturally integrable on $[0, T] \times \mathbb{T}^2$. One finally obtains by dominated convergence, from (6.14) applied to $\pi' = \pi^n$ and $\kappa = \kappa^n$, that

$$|I_\varepsilon(\pi) - I_\varepsilon(\pi^n)| \xrightarrow{n \rightarrow \infty} 0.$$

Lemma 6.4 is complete. \square

We have now proved that the application I_ε is continuous for any fixed ε , therefore the left-hand side of (6.13) is less than

$$\limsup_{\varepsilon \rightarrow 0} \sup_{Q^*} \mathbb{E}_{Q^*} \left(\iint_{[0, T] \times \mathbb{T}^2} du \langle \pi_t, h_\varepsilon(\cdot + u) \rangle^2 dt \right),$$

where the supremum is taken over all limit points Q^* of the sequence Q^N . Since by definition $h_\varepsilon = \nabla_i^\varepsilon \tilde{\varphi}_\varepsilon$ does not depend on θ , we drop the dependence of π on θ and consider simply for any $u \in \mathbb{T}_N^2$, $\rho(t, u) = \int_{\mathbb{S}} \hat{\rho}_t(u, d\theta)$, where $\hat{\rho}_t(u, d\theta)$ is the density of $\pi_t(\cdot, d\theta)$ w.r.t. the Lebesgue measure \mathbb{T}^2 , which exists Q^* -a.s. according to Lemma 5.13. We can write

$$(6.15) \quad \mathbb{E}_{Q^*} \left(\iint_{[0, T] \times \mathbb{T}^2} du \langle \pi_t, h_\varepsilon(\cdot + u) \rangle^2 dt \right) = \mathbb{E}_{Q^*} \left(\iint_{[0, T] \times \mathbb{T}^2} \left(\int_{v \in \mathbb{T}^2} \rho(t, v) \nabla_i^\varepsilon \tilde{\varphi}_\varepsilon(v + u) dv \right)^2 dudt \right).$$

We can now express $\nabla_i^\varepsilon \tilde{\varphi}_\varepsilon$ as a gradient, by writing

$$\nabla_i^\varepsilon \tilde{\varphi}_\varepsilon(u) = \partial_{u_i} \int_{-1/2}^{u_i} \nabla_{i'}^\varepsilon \tilde{\varphi}_\varepsilon(v e_i + u_{i'} e_{i'}) dv = \partial_{u_i} \Phi_{\varepsilon,i},$$

where $i' \neq i$ still denotes the second direction on the torus.

Furthermore, $\Phi_{\varepsilon,i}$, represented in Figure 8, is in $C^2(\mathbb{T}_N^2)$ because $\tilde{\varphi}_\varepsilon$ is C^1 , and the various integrals can be freely swapped since all quantities are bounded at any fixed ε . Since Q^* -a.s. $\rho \in W^{1,2}([0, T] \times \mathbb{T}^2)$ according to Theorem 5.14, the right-hand side in equation (6.15) is therefore equal to

$$(6.16) \quad \mathbb{E}_{Q^*} \left(\iint_{[0, T] \times \mathbb{T}^2} \left(\int_{v \in \mathbb{T}^2} \Phi_{\varepsilon,i}(v + u) \partial_{u_i} \rho(t, v) dv \right)^2 dudt \right).$$

In order to conclude, we adapt the proof of Young's Inequality, and apply Cauchy-Schwarz inequality to $f = (\Phi_{\varepsilon,i}(v+u))^{1/2}$ and $g = (\Phi_{\varepsilon,i}(v+u))^{1/2} \partial_{u_i} \rho(t,v)$, to finally obtain that

$$\begin{aligned} \mathbb{E}_{Q^*} \left(\iint_{[0,T] \times \mathbb{T}^2} du \langle \pi_t, h_\varepsilon(\cdot + u) \rangle^2 dt \right) \\ \leq \mathbb{E}_{Q^*} \left(\iint_{[0,T] \times \mathbb{T}^2} \|\Phi_{\varepsilon,i}\|_1 \left[\int_{v \in \mathbb{T}^2} \Phi_{\varepsilon,i}(v+u) (\partial_{u_i} \rho(t,v))^2 dv \right] dudt \right) \\ = \|\Phi_{\varepsilon,i}\|_1^2 \mathbb{E}_{Q^*} \left(\iint_{[0,T] \times \mathbb{T}^2} (\partial_{u_i} \rho(t,u))^2 dudt \right), \end{aligned}$$

where the last identity was obtained by integrating first w.r.t. u , then w.r.t. v . Since $\|\Phi_{\varepsilon,i}\|_1 = 1 + o_\varepsilon(1)$, Lemma 6.3 follows from equation (5.34). \square

6.4. Replacement of the macroscopic gradients by their local counterparts. — We now prove equation (6.6), i.e. that the macroscopic average of the gradients can be replaced by a local average. To simplify the notations, throughout this Section, we drop the various dependencies of $Y_{i,3}^{\lambda,\varepsilon N,p}$ and simply denote it by Y_3 .

Recall that $\mathcal{L}^{\beta=0}$ stands for the modified Glauber generator without alignment of the spins, where each angle is updated uniformly in \mathbb{S} ,

$$\mathcal{L}^{\beta=0} f(\hat{\eta}) = \sum_{x \in \mathbb{T}_N^2} \eta_x \int_{\mathbb{S}} \frac{(f(\hat{\eta}^{x,\theta}) - f(\hat{\eta}))}{2\pi} d\theta,$$

and

$$L_N^{\beta=0} = N^2 \mathcal{L}^{\beta=0} + \mathcal{L}^{\beta=0}.$$

Recall that $\mathbb{P}_{\mu_\alpha^*}^{\lambda,0}$ is the measure on the trajectories starting from the equilibrium measure μ_α^* and driven by the generator $L_N^{\beta=0}$, and that the expectation w.r.t the latter is denoted by $\mathbb{E}_{\mu_\alpha^*}^{\lambda,0}$. We first apply Proposition 3.10 to the positive functional

$$X(\hat{\eta}^{[0,T]}) = \left| \int_0^T Y_3(G_t, \hat{\eta}(t)) dt \right|,$$

letting $A = \gamma N^2$, and obtain that for some constant $K_0 = K_0(T, \beta, \hat{\rho}_0)$,

$$\mathbb{E}_{\mu_N^{\lambda,\beta}} \left(\left| \int_0^T Y_3(G_t, \hat{\eta}(t)) dt \right| \right) \leq \frac{K_0}{\gamma} + \frac{1}{\gamma N^2} \log \mathbb{E}_{\mu_\alpha^*}^{\lambda,0} \left[\exp \left(\gamma N^2 \left| \int_0^T Y_3(G_t, \hat{\eta}(t)) dt \right| \right) \right].$$

Letting γ go to ∞ after N , to prove (6.6) it is therefore enough to show that for any integer $p > 1$

$$(6.17) \quad \lim_{\gamma \rightarrow \infty} \limsup_{l \rightarrow \infty} \limsup_{\varepsilon \rightarrow 0} \limsup_{N \rightarrow \infty} \frac{1}{\gamma N^2} \log \mathbb{E}_{\mu_\alpha^*}^{\lambda,0} \left[\exp \left(\gamma N^2 \left| \int_0^T Y_3(G_t, \hat{\eta}(t)) dt \right| \right) \right] = 0.$$

We now get rid of the absolute value by using both of the elementary inequalities

$$e^{|x|} \leq e^x + e^{-x}$$

and

$$\limsup_{N \rightarrow \infty} \frac{1}{N^2} \log(a_N + b_N) \leq \max \left(\limsup_{N \rightarrow \infty} \frac{1}{N^2} \log a_N, \limsup_{N \rightarrow \infty} \frac{1}{N^2} \log b_N \right).$$

Both of these imply that the limit in equation (6.6) is bounded up by the maximum of the limits of

$$\frac{1}{\gamma N^2} \log \mathbb{E}_{\mu_\alpha^*}^{\lambda,0} \left[\exp \left(\gamma N^2 \int_0^T Y_3(G_t, \hat{\eta}(t)) dt \right) \right]$$

and

$$\frac{1}{\gamma N^2} \log \mathbb{E}_{\mu_\alpha^*}^{\lambda,0} \left[\exp \left(-\gamma N^2 \int_0^T Y_3(G_t, \hat{\eta}(t)) dt \right) \right].$$

Since $-Y_3(G, \hat{\eta}) = Y_3(-G, \hat{\eta})$, and since the identity above must be true for any function G , to obtain the wanted result it is sufficient to show that for any γ and any $G \in C^{1,2}([0, T] \times \mathbb{T}^2)$

$$(6.18) \quad \lim_{\gamma \rightarrow \infty} \inf_f \limsup_{\varepsilon \rightarrow 0} \limsup_{N \rightarrow \infty} \frac{1}{\gamma N^2} \log \mathbb{E}_{\mu_\alpha^*}^{\lambda, 0} \left[\exp \left(\gamma N^2 \int_0^T Y_3(G_t, \hat{\eta}(t)) dt \right) \right] \leq 0.$$

We now get back to a variational problem, since Lemma 5.9 yields

$$\frac{1}{\gamma N^2} \log \mathbb{E}_{\mu_\alpha^*}^{\lambda, 0} \left[\exp \left(\gamma N^2 \int_0^T Y_3(G_t, \hat{\eta}(t)) dt \right) \right] \leq \frac{2T\lambda^2}{\gamma} + \frac{1}{\gamma} \int_0^T \sup_{\varphi} \left\{ \mathbb{E}_\alpha^* (\varphi \gamma Y_3(G_t, \hat{\eta})) - \frac{1}{2} D(\varphi) \right\}.$$

The first term in the right-hand side above vanishes as γ goes to ∞ . Furthermore, the time integral is now only applied to the function G_t , therefore to obtain equation (6.6), it is sufficient to prove that for any γ and any function $G \in C^2(\mathbb{T}^2)$,

$$(6.19) \quad \limsup_{l \rightarrow \infty} \limsup_{\varepsilon \rightarrow 0} \limsup_{N \rightarrow \infty} \sup_{\varphi} \{ 2\gamma \mathbb{E}_\alpha^* (\varphi Y_3(G, \hat{\eta})) - D(\varphi) \} \leq 0.$$

Since this must be true for any G and any γ , we can safely assume that $\gamma = 1/2$, and equation (6.19) follows from Lemma 6.5 below. Thus this completes the proof of (6.6).

In order to avoid repeating a similar proof twice, we forget for the moment that $\mathfrak{d}^\omega(\rho, \rho^\omega) = d_s(\rho)$ only depends on the total particle density, and present the proof of the following Lemma in the most difficult case where the gradient is on $\rho^{\omega, p}$ and where the diffusion coefficient depends on both ρ and ρ^ω . We simply assume throughout this proof that the diffusion coefficient \mathfrak{d}^ω is a uniformly continuous function of ρ and ρ^ω on the set

$$\left\{ (\alpha, \alpha_\omega) \in [0, 1] \times [-\|\omega\|_\infty, \|\omega\|_\infty], \quad |\alpha_\omega| \leq \|\omega\|_\infty \alpha \right\}.$$

Lemma 6.5. — *Let us fix $1 \leq i, j \leq 2$, we shorten*

$$\mathcal{D}_k = \mathfrak{d}^\omega(\rho_k, \rho_k^\omega) \quad \text{and} \quad v_k = \delta_i \rho_k^{\omega, p}.$$

For any $G \in C^2(\mathbb{T}^2)$

$$(6.20) \quad \limsup_{l \rightarrow \infty} \limsup_{\varepsilon \rightarrow 0} \limsup_{N \rightarrow \infty} \sup_{\varphi} \left\{ \sum_{x \in \mathbb{T}_N^2} \left[\frac{1}{N} G(x/N) \mathbb{E}_\alpha^* \left(\varphi \tau_x (\mathcal{D}_{\varepsilon N} v_{\varepsilon N} - \mathcal{D}_l v_{l_p}) \right) \right] - D(\varphi) \right\} \leq 0,$$

where as before $l_p = l - p - 1$, and the supremum is taken over all probability densities with respect to μ_α^* . The same result is true for the gradients $v_k = \delta_i \rho_k$ instead of $\delta_i \rho_k^{\omega, p}$, \mathfrak{d} instead of \mathfrak{d}^ω , and $l' = l - 1$ instead of l_p .

Proof of Lemma 6.5. — The difficulty of this Lemma comes from the extra factor N , which prevents us from using directly the replacement Lemma 4.1. We hence need to get some precise control over each term to ensure that they are small enough. We start by splitting in two parts the quantity in Lemma 6.5 by noticing that

$$(6.21) \quad \mathcal{D}_{\varepsilon N} v_{\varepsilon N} - \mathcal{D}_l v_{l_p} = \mathcal{D}_{\varepsilon N} (v_{\varepsilon N} - v_{l_p}) + (\mathcal{D}_{\varepsilon N} - \mathcal{D}_l) v_{l_p}.$$

Both terms are treated in the same fashion due to the continuity of the diffusion coefficients (which follows directly from their explicit expression). More precisely, we intend to show that the difference between the average over a microscopic and macroscopic box is of order $1/N$, and hence yields the extra factor N needed to use the replacement Lemma. Let us thus consider the first term appearing in the Lemma, namely

$$\frac{1}{N} \mathbb{E}_\alpha^* \left(\varphi \sum_{x \in \mathbb{T}_N^2} G(x/N) \tau_x \mathcal{D}_{\varepsilon N} (v_{\varepsilon N} - v_{l_p}) \right).$$

Recall that we denoted $B_l = \{x \in \mathbb{T}_N^2, |x| \leq l\}$, and $|B_l| = (2l+1)^2$. Since both $v_{\varepsilon N}$ and v_{l_p} are merely spatial averages of the gradients $\delta_i(\eta_0^\omega \mathbb{1}_{E_p})$, a first summation by parts yields that the quantity above is equal to

$$\frac{1}{N} \mathbb{E}_\alpha^* \left(\varphi \sum_{x \in \mathbb{T}_N^2} (\eta_{x+e_i}^\omega \mathbb{1}_{E_{p,x+e_i}} - \eta_x^\omega \mathbb{1}_{E_{p,x}}) \left[\frac{1}{|B_{\varepsilon N}|} \sum_{|y-x| \leq \varepsilon N} G(y/N) \tau_y \mathcal{D}_{\varepsilon N} - \frac{1}{|B_{l_p}|} \sum_{|y-x| \leq l_p} G(y/N) \tau_y \mathcal{D}_{\varepsilon N} \right] \right).$$

Now let us denote $S_x(\hat{\eta})$ the quantity inside braces, i.e

$$S_x(\hat{\eta}) = \frac{1}{|B_{\varepsilon N}|} \sum_{|y-x| \leq \varepsilon N} G(y/N) \tau_y \mathcal{D}_{\varepsilon N} - \frac{1}{|B_{l_p}|} \sum_{|y-x| \leq l_p} G(y/N) \tau_y \mathcal{D}_{\varepsilon N}.$$

We are now going to prove that

$$(6.22) \quad \limsup_{l \rightarrow \infty} \limsup_{\varepsilon \rightarrow 0} \limsup_{N \rightarrow \infty} \sup_{\varphi} \left\{ \frac{1}{N} \mathbb{E}_\alpha^* \left(\varphi \sum_{x \in \mathbb{T}_N^2} S_x(\eta_{x+e_i}^\omega \mathbb{1}_{E_{p,x+e_i}} - \eta_x^\omega \mathbb{1}_{E_{p,x}}) \right) - \frac{1}{2} D(\varphi) \right\} \leq 0.$$

In order to transfer the gradient appearing in the expression above on φ and S_x , we need the same change of variable as the one already introduced in Figure 5 of Section 5.5. For any direction $i \in \{1, 2\}$, let $i' \neq i$ be the second direction on the torus. Given x in the torus, we denote for any $k \in \llbracket -p, p \rrbracket$ (See Figure 6)

$$y_k = x - p e_i + k e_{i'} \in B_p(x) \quad \text{and} \quad z_k = x + (p+1) e_i + k e_{i'} \in B_p(x + e_i).$$

Given these, recall that we denote, for any configuration $\hat{\eta}$, by

$$T_{i,p}^x(\hat{\eta}) = (((\hat{\eta}^{x,x+e_i})_{y-p, z-p}) \cdots)_{y_p, z_p}$$

the configuration where the sites x and $x + e_i$ have been swapped, as well as the boundary sites y_k and z_k .

By definition, we have

$$\eta_x^\omega \mathbb{1}_{E_{p,x}}(T_{i,p}^x \hat{\eta}) = \eta_{x+e_i}^\omega \mathbb{1}_{E_{p,x+e_i}}(\hat{\eta})$$

The first term in the left-hand side of (6.22) can be rewritten as

$$(6.23) \quad \begin{aligned} \frac{1}{N} \mathbb{E}_\alpha^* \left(\varphi \sum_{x \in \mathbb{T}_N^2} S_x(\eta_{x+e_i}^\omega \mathbb{1}_{E_{p,x+e_i}} - \eta_x^\omega \mathbb{1}_{E_{p,x}}) \right) &= - \frac{1}{N} \mathbb{E}_\alpha^* \left(\sum_{x \in \mathbb{T}_N^2} \eta_x^\omega \mathbb{1}_{E_{p,x}} ((\varphi S_x)(T_{i,p}^x \hat{\eta}) - \varphi S_x) \right) \\ &= - \frac{1}{N} \sum_{x \in \mathbb{T}_N^2} \mathbb{E}_\alpha^* (\eta_x^\omega \mathbb{1}_{E_{p,x}} [\varphi(T_{i,p}^x \hat{\eta}) (S_x(T_{i,p}^x \hat{\eta}) - S_x) \\ &\quad + (\varphi(T_{i,p}^x \hat{\eta}) - \varphi) S_x]). \end{aligned}$$

We are going to show that the contribution of the first term of the right-hand side in (6.23) vanishes in the limit $N \rightarrow \infty$, whereas the second term can be controlled with the Dirichlet form $D(\varphi)$. Recall that S_x is defined as

$$S_x(\hat{\eta}) = \frac{1}{|B_{\varepsilon N}|} \sum_{|y-x| \leq \varepsilon N} G(y/N) \tau_y \mathcal{D}_{\varepsilon N} - \frac{1}{|B_{l_p}|} \sum_{|y-x| \leq l_p} G(y/N) \tau_y \mathcal{D}_{\varepsilon N}.$$

Since the only dependence of S_x in $\hat{\eta}$ lies in $\mathcal{D}_{\varepsilon N}$, which is the diffusion coefficient evaluated in the macroscopic empirical density $\hat{\rho}_{\varepsilon N}$, in order to control the first term in the right-hand side of (6.23), we can write

$$(6.24) \quad S_x(T_{i,p}^x \hat{\eta}) - S_x = \frac{1}{|B_{\varepsilon N}|} \sum_{|y-x| \leq \varepsilon N} G(y/N) \tau_y [\mathcal{D}_{\varepsilon N}(T_{i,p}^x \hat{\eta}) - \mathcal{D}_{\varepsilon N}(\hat{\eta})] - \frac{1}{|B_{l_p}|} \sum_{|y-x| \leq l_p} G(y/N) \tau_y [\mathcal{D}_{\varepsilon N}(T_{i,p}^x \hat{\eta}) - \mathcal{D}_{\varepsilon N}(\hat{\eta})].$$

Recall that $\tau_y \mathcal{D}_{\varepsilon N}(\hat{\eta}) = \mathfrak{d}^\omega(\tau_y \rho_{\varepsilon N}, \tau_y \rho_{\varepsilon N}^\omega)$. Since it depends on the configuration through an average over $B_{\varepsilon N}(y)$, $\tau_y \mathcal{D}_{\varepsilon N}(\hat{\eta})$ is invariant under any exchange of a pair of sites with both ends in $B_{\varepsilon N}(y)$. We deduce from this remark that for any $|y-x| \leq l_p$, the quantity

$$\tau_y [\mathcal{D}_{\varepsilon N}(T_{i,p}^x \hat{\eta}) - \mathcal{D}_{\varepsilon N}(\hat{\eta})]$$

vanishes, since all the exchanges happen between sites at a distance at most p of x , and therefore at a distance at most $p + l_p$ of y . This yields that the second term in the right-hand side of (6.24) vanishes.

We now consider the first term in the right-hand side of (6.24). For the same reason as before, for any y in $B_{\varepsilon N - p - 1}(x)$, all the exchanges in $T_{i,p}^x$ have both ends in $B_{\varepsilon N}(y)$, and $\tau_y [\mathcal{D}_{\varepsilon N}(T_{i,p}^x \hat{\eta}) - \mathcal{D}_{\varepsilon N}(\hat{\eta})]$ vanishes. We can finally rewrite (6.24) as

$$(6.25) \quad S_x(T_{i,p}^x \hat{\eta}) - S_x = \frac{1}{|B_{\varepsilon N}|} \sum_{y \in B_{\varepsilon N}(x) \setminus B_{\varepsilon N - p - 1}(x)} G(y/N) \tau_y [\mathcal{D}_{\varepsilon N}(T_{i,p}^x \hat{\eta}) - \mathcal{D}_{\varepsilon N}(\hat{\eta})].$$

We now take a closer look at each of the remaining term. By definition, the configuration $T_{i,p}^x \hat{\eta}$ can be obtained from $\hat{\eta}$ by inverting $2p + 2$ pair of sites in $\hat{\eta}$. Furthermore, fix a y in the sum above, and consider any inversion $\hat{\eta}^{z_1, z_2}$ with $z_1 \in B_{\varepsilon N}(y)$ and $z_2 \notin B_{\varepsilon N}(y)$, we can write by definition of $\rho_{\varepsilon N}$ and $\rho_{\varepsilon N}^\omega$

$$|\tau_y \rho_{\varepsilon N}(\hat{\eta}^{z_1, z_2}) - \tau_y \rho_{\varepsilon N}(\hat{\eta})| \leq \frac{1}{|B_{\varepsilon N}|} \quad \text{and} \quad |\tau_y \rho_{\varepsilon N}^\omega(\hat{\eta}^{z_1, z_2}) - \tau_y \rho_{\varepsilon N}^\omega(\hat{\eta})| \leq \frac{2 \|\omega\|_\infty}{|B_{\varepsilon N}|}.$$

By assumption, $\mathfrak{d}^\omega(\alpha, \alpha_\omega)$ is uniformly continuous on the set

$$\left\{ (\alpha, \alpha_\omega) \in [0, 1] \times [-\|\omega\|_\infty, \|\omega\|_\infty], \quad |\alpha_\omega| \leq \|\omega\|_\infty \alpha \right\}.$$

We deduce from this that

$$\tau_y (\mathcal{D}_{\varepsilon N}(\hat{\eta}^{z_1, z_2}) - \mathcal{D}_{\varepsilon N}(\hat{\eta})) = o_N(1),$$

therefore

$$|\tau_y (\mathcal{D}_{\varepsilon N}(T_{i,p}^x \hat{\eta}) - \mathcal{D}_{\varepsilon N}(\hat{\eta}))| \leq o_N(1),$$

where this time $o_N(1)$ stands for a constant depending on p which vanishes as $N \rightarrow \infty$. We inject the latter identity in equation (6.25), to obtain that

$$S_x(T_{i,p}^x \hat{\eta}) - S_x = \frac{|B_{\varepsilon N}(x) \setminus B_{\varepsilon N - p - 1}(x)|}{|B_{\varepsilon N}|} o_N(1) = \frac{1}{N} o_N(1),$$

where the last $o_N(1)$ depends on p and ε , but vanishes as $N \rightarrow \infty$. This allows us to get back to equation (6.23), in which the first term in the right-hand side can be rewritten

$$\left| \frac{1}{N} \sum_{x \in \mathbb{T}_N^2} \mathbb{E}_\alpha^* (\eta_x^\omega \mathbb{1}_{E_{p,x}} \varphi(T_{i,p}^x \hat{\eta}) (S_x(T_{i,p}^x \hat{\eta}) - S_x)) \right| \leq \frac{\|\omega\|_\infty}{N^2} \sum_{x \in \mathbb{T}_N^2} \mathbb{E}_\alpha^* (\varphi(T_{i,p}^x \hat{\eta})) o_N(1) = o_N(1),$$

since μ_α^* is invariant under the change of variable $T_{i,p}^x \hat{\eta}$, and therefore $\mathbb{E}_\alpha^* (\varphi(T_{i,p}^x \hat{\eta})) = \mathbb{E}_\alpha^* (\varphi) = 1$.

We now work on the contribution of the second part of (6.23), namely

$$(6.26) \quad \mathbb{E}_\alpha^* \left(N^{-1} \sum_{x \in \mathbb{T}_N^2} \eta_x^\omega \mathbb{1}_{E_{p,x}} S_x(\hat{\eta}) [\varphi(T_{i,p}^x \hat{\eta}) - \varphi] \right),$$

that we wish to estimate by the Dirichlet form $D(\varphi)$. The elementary bound

$$cd(a - b) \leq \frac{Ac^2}{2} (\sqrt{a} - \sqrt{b})^2 + \frac{d^2}{2A} (\sqrt{a} + \sqrt{b})^2,$$

which holds for any positive constant A , applied to

$$a = \varphi(T_{i,p}^x \hat{\eta}), \quad b = \varphi, \quad c = \eta_x^\omega S_x \text{ and } d = \mathbb{1}_{E_{p,x}}$$

yields that the quantity above (6.26) can be bounded from above for any positive A by

$$(6.27) \quad \frac{1}{N} \sum_{x \in \mathbb{T}_N^2} \mathbb{E}_\alpha^* \left(\frac{A}{2} (\eta_x^\omega S_x)^2 (\sqrt{\varphi}(T_{i,p}^x \hat{\eta}) + \sqrt{\varphi})^2 + \frac{1}{2A} \mathbb{1}_{E_{p,x}} (\sqrt{\varphi}(T_{i,p}^x \hat{\eta}) - \sqrt{\varphi})^2 \right).$$

Since we already established that $S_x(T_{i,p}^x \hat{\eta}) = S_x + (\varepsilon N)^{-1} o_N(1)$, since η_x^ω can be bounded by $C(\omega) > 0$, and since $\mathbb{1}_{E_{p,x}} \leq \mathbb{1}_{E_{p+1,x}}$ the sum above is less than

$$(6.28) \quad \frac{AC^2}{N} \sum_{x \in \mathbb{T}_N^2} \mathbb{E}_\alpha^* (\varphi S_x^2) + \frac{1}{2AN} \sum_{x \in \mathbb{T}_N^2} \mathbb{E}_\alpha^* \left(\mathbb{1}_{E_{p+1,x}} (\sqrt{\varphi}(T_{i,p}^x \hat{\eta}) - \sqrt{\varphi})^2 \right) + o_N(1).$$

According to Section 3.3, on the event $E_{p+1,x}$ on which there are two empty sites in B_{p+1} , there exists a sequence of allowed jumps permitting to reach $T_{i,p}^x \hat{\eta}$ from $\hat{\eta}$. However, this sequence is random, which we avoid by crudely bounding

$$\mathbb{1}_{E_{p+1,x}} \leq \sum_{z_1, z_2 \in B_{p+1}} (1 - \eta_{z_1})(1 - \eta_{z_2}),$$

since the right-hand side only vanishes when there are less than one empty site in B_{p+1} . Given two fixed empty sites z_1 and z_2 there exists an integer $n_p(z_1, z_2)$ bounded by a constant C_p , and a sequence of edges $((a_m, b_m))_{m \in [0, n_p]}$ such that

$$\hat{\eta} = \hat{\eta}(0), \quad T_{i,p}^x \hat{\eta} = \hat{\eta}(n_p), \quad \text{and} \quad \hat{\eta}(m+1) = \hat{\eta}(m)^{a_m, b_m} \quad \forall m \in [0, n_p - 1],$$

where a_m and b_m are neighboring sites in $B_{p+1}(x)$ and $\eta_{a_m}(\hat{\eta}(m)) = 1 - \eta_{b_m}(\hat{\eta}(m)) = 1$. We can therefore write

$$\begin{aligned} \mathbb{E}_\alpha^* \left(\mathbb{1}_{E_{p,x}} (\sqrt{\varphi} (T_{i,p}^x \hat{\eta}) - \sqrt{\varphi})^2 \right) &\leq \sum_{z_1, z_2 \in B_{p+1}} \mathbb{E}_\alpha^* \left(n_p \sum_{m=0}^{n_p-1} \mathbb{1}_{E_{p,x}} (\sqrt{\varphi} (\hat{\eta}(m+1)) - \sqrt{\varphi} (\hat{\eta}(m)))^2 \right) \\ &\leq K_p D_{N,p+1}(\varphi), \end{aligned}$$

since $\hat{\eta}(m+1)$ is reached from $\hat{\eta}(m)$ by an allowed particle jump, where $D_{N,p+1}(\varphi)$ is the contribution of edges in B_{p+1} in $D(\varphi)$.

The sum in the second term of (6.28) can therefore be bounded by $C_p^* D(\varphi)$, where $C_p^* = (2p+1)^2 K_p$. Finally, (6.26) can be bounded, for any positive A by

$$\frac{AC^2}{N} \sum_{x \in \mathbb{T}_N^2} \mathbb{E}_\alpha^*(\varphi S_x^2) + \frac{C_p^*}{2AN} D(\varphi) + o_N(1).$$

We can now set $A = C_p^*/N$, to obtain that

$$\mathbb{E}_\alpha^* \left(N^{-1} \sum_{x \in \mathbb{T}_N^2} \eta_x^\omega \mathbb{1}_{E_{p,x}} S_x(\hat{\eta}) [\varphi (T_{i,p}^x \hat{\eta}) - \varphi] \right) \leq \frac{C(p, \omega)}{N^2} \sum_{x \in \mathbb{T}_N^2} \mathbb{E}_\alpha^*(\varphi S_x^2) + \frac{1}{2} D(\varphi) + o_N(1).$$

The first term in the right-hand side above vanishes as a consequence of the two-block estimate stated in Lemma 4.3, since the diffusion coefficients are continuous according to their explicit expression. This concludes the proof of equation (6.22).

The contribution of the second part of equation (6.21) is treated in a similar fashion. Denoting by

$$S'_x(\hat{\eta}) = \frac{1}{|B_{l_p}|} \sum_{|y-x| \leq l_p} G(y/N) (\tau_y \mathcal{D}_{\varepsilon N} - \tau_y \mathcal{D}_l).$$

As before, the corresponding contribution in the left-hand side of (6.20) can be written as

$$-\frac{1}{N} \sum_{x \in \mathbb{T}_N^2} \mathbb{E}_\alpha^* (\eta_x^\omega \mathbb{1}_{E_{p,x}} (\varphi (T_{i,p}^x \hat{\eta}) - \varphi) S'_x),$$

since this time, S'_x is invariant under the action of $T_{i,p}^x$ by definition of l_p , whereas the second term can be controlled in the limit $N \rightarrow \infty$ as well by $D(\varphi)/2$. This completes the proof of Lemma 6.5 in the case where $\mathcal{D}_k = \mathfrak{d}^\omega(\rho_k, \rho_k^\omega)$ and $v_k = \delta_i \rho_k^{\omega, p}$.

In the case where $\mathcal{D}_k = \mathfrak{d}(\rho_k, \rho_k^\omega)$ and $v_k = \delta_i \rho_k$, the proof is easier and no longer requires indicator functions, since unlike $\delta_i \eta_x^\omega$, $\delta_i \eta_x$ vanishes when there is no empty site. We do not give a detailed proof, which would be an easier version of the previous case. We will instead just give a brief outline and the equivalent quantities to the previous ones. The same summation by parts allows us to rewrite

$$\frac{1}{N} G(x/N) \mathbb{E}_\alpha^* (\varphi \tau_x (\mathcal{D}_{\varepsilon N} v_{\varepsilon N} - \mathcal{D}_l v_{l_p})) = \frac{1}{N} \mathbb{E}_\alpha^* \left(\varphi \sum_{x \in \mathbb{T}_N^2} (S_x + S'_x) (\eta_{x+e_i} - \eta_x) \right),$$

where

$$S_x = \frac{1}{|B_{\varepsilon N}|} \sum_{|y-x| \leq \varepsilon N} G(y/N) \tau_y \mathcal{D}_{\varepsilon N} - \frac{1}{|B_{l'}|} \sum_{|y-x| \leq l'} G(y/N) \tau_y \mathcal{D}_{\varepsilon N},$$

and

$$S'_x(\hat{\eta}) = \frac{1}{|B_{l'}|} \sum_{|y-x| \leq l'} G(y/N) (\tau_y \mathcal{D}_{\varepsilon N} - \tau_y \mathcal{D}_l).$$

We can now rewrite $\eta_{x+e_i} - \eta_x = \eta_{x+e_i}(1 - \eta_x) - \eta_x(1 - \eta_{x+e_i})$, to obtain that the quantity above is

$$\frac{1}{N} \sum_{x \in \mathbb{T}_N^2} \mathbb{E}_\alpha^* (\eta_x (1 - \eta_{x+e_i}) ((S_x + S'_x) \varphi) (\hat{\eta}^{x, x+e_i}) - (S_x + S'_x) \varphi).$$

The gradients of S_x and S'_x still vanish, whereas the average of the gradients $\varphi(\hat{\eta}^{x, x+e_i}) - \varphi$ can be controlled by the sum of a vanishing term and the Dirichlet form of φ , since this time the jump rates $\eta_x(1 - \eta_{x+e_i})$ are already present. This concludes the proof of Lemma 6.5. \square

6.5. Projection on non-full sets and reduction to a variance problem. — We now prove the limit (6.7), which states that in a local average, the current can be replaced by gradients, up to a perturbation $\mathcal{L}f$. Following the exact same steps as in Section 6.4, up until the statement of Lemma 6.5, where we reduced the proof of equation (6.6) to (6.19), we reduce the proof of equation (6.7) to the variational formula

$$(6.29) \quad \inf_f \lim_{p \rightarrow \infty} \limsup_{l \rightarrow \infty} \limsup_{N \rightarrow \infty} \sup_\varphi \{ \mathbb{E}_\alpha^* (\varphi Y_4(G, \hat{\eta})) - D(\varphi) \} \leq 0,$$

where we shortened

$$Y_4(G, \hat{\eta}) = Y_{i,4}^{f,l,p}(G, \hat{\eta}) = \frac{1}{N} \sum_{x \in \mathbb{T}_N^2} G(x/N) \tau_x \mathcal{W}_{i,4}^{f,l,p},$$

and $\mathcal{W}_{i,4}^{f,l,p}$ was introduced in equation (6.3). Since this step is performed in the exact same way as in the beginning of Section 6.4, we do not detail them here and refer the reader to the latter. To simplify notations, we shorten

$$\mathcal{W}_i^l = \mathcal{W}_{i,4}^{f,l,p}$$

for the local average of the difference between gradients and currents in the direction i .

We will now work to get an estimate of the largest eigenvalue of the small perturbation $\mathcal{L} + Y_4$ of \mathcal{L} . The strategy is close to the one used in the one-block estimate of Section 4.3. To do so, we break down the process on finite boxes with a fixed number of particles, where the generator \mathcal{L} has a positive spectral gap. In order to introduce this restriction, we adopt once again the notations introduced in Section 4.3, which we briefly recall here. Let $B_l = \llbracket -l, l \rrbracket^2$ be the box of size l , $\hat{K} = (K, \{\theta_1, \dots, \theta_K\})$ be some particle number and angles. Recall that \mathbb{K}_l is the set of \hat{K} 's such that $K \leq (2l+1)^2$, and denote by $\hat{\alpha}_{\hat{K}}$ the angle measure

$$\hat{\alpha}_{\hat{K}} = \frac{1}{(2l+1)^2} \sum_{k=1}^K \delta_{\theta_k} \in \mathcal{M}_1(\mathbb{S}).$$

Recall that we already defined in (3.3)

$$\Sigma_l^{\hat{K}} = \{ \hat{\eta} \in \Sigma_N, \quad \hat{\rho}_l = \hat{\alpha}_{\hat{K}} \}$$

the set of configurations with K particles in B_l with angles θ_k 's. Also recall that $\mu_{i, \hat{K}}$ is the canonical measure $\mu_\alpha^*(\cdot | \Sigma_l^{\hat{K}})$ conditioned to particle configurations of the form \hat{K} in B_l .

We denote for any site x $\varphi^x = \tau_{-x} \varphi$, and by $\varphi_{i, \hat{K}}^x$ the density induced by φ^x on $\Sigma_l^{\hat{K}}$. It can be defined for any configuration $\hat{\zeta}$ on B_l by

$$\varphi_{i, \hat{K}}^x(\hat{\zeta}) = \frac{\mathbb{E}_\alpha^*(\varphi^x | \hat{\eta}_{B_l} = \hat{\zeta})}{\mathbb{E}_\alpha^*(\varphi^x | \Sigma_l^{\hat{K}})}.$$

Let us now get back to the quantity of interest,

$$(6.30) \quad \mathbb{E}_\alpha^* (\varphi Y_4(G, \hat{\eta})) = \frac{1}{N} \sum_{x \in \mathbb{T}_N^2} G(x/N) \mathbb{E}_\alpha^* (\varphi \tau_x \mathcal{W}_i^l) = \frac{1}{N} \sum_{x \in \mathbb{T}_N^2} G(x/N) \mathbb{E}_\alpha^* (\mathcal{W}_i^l \varphi^x).$$

Because \mathcal{W}_i^l only depends on the vertices in B_l , we can replace the expectation under μ_α^* by the integral over \mathbb{K}_l of the expectation under $\mu_{l,\widehat{K}}$. More precisely, let us denote

$$m_x(d\widehat{K}) = \mathbb{E}_\alpha^* \left(\varphi^x \mathbb{1}_{\Sigma_l^{d\widehat{K}}} \right),$$

the infinitesimal probability of being on the set $\Sigma_l^{\widehat{K}}$ under the measure with density φ^x w.r.t μ_α^* . Thanks to (6.30), letting $\mathbb{E}_{l,\alpha}^*$ be the conditional expectation of \mathbb{E}_α^* w.r.t the spins inside of B_l , we can write

$$\begin{aligned} \mathbb{E}_\alpha^* (\varphi Y_4(G, \widehat{\eta})) &= \frac{1}{N} \sum_{x \in \mathbb{T}_N^2} G(x/N) \mathbb{E}_{l,\alpha}^* (\mathcal{W}_i^l \varphi^x) \\ (6.31) \qquad \qquad \qquad &= \frac{1}{N} \sum_{x \in \mathbb{T}_N^2} G(x/N) \int_{\widehat{K} \in \mathbb{K}_l} \mathbb{E}_{l,\widehat{K}} (\mathcal{W}_i^l \varphi_{l,\widehat{K}}^x) m_x(d\widehat{K}). \end{aligned}$$

Let us now decompose in a similar fashion the Dirichlet form. For φ some density with respect to $\mu_{\widehat{\alpha}}$, let $D_{l,\widehat{K}}$ be the Dirichlet form on $\Sigma_l^{\widehat{K}}$

$$D_{l,\widehat{K}}(\varphi) = \frac{1}{2} \sum_{\substack{x,y \in B_l \\ |x-y|=1}} \mathbb{E}_{l,\widehat{K}} \left[\eta_x (1 - \eta_y) \left(\sqrt{\varphi(\widehat{\eta}^{x,y})} - \sqrt{\varphi} \right)^2 \right].$$

We have with the same tools as in the proof of Lemma 4.3

$$(6.32) \qquad \sum_{x \in \mathbb{T}_N^2} \int_{\widehat{K} \in \mathbb{K}_l} D_{l,\widehat{K}} (\varphi_{l,\widehat{K}}^x) m(d\widehat{K}) \leq (2l+1)^2 D(\varphi).$$

From the previous considerations, we can localize the quantity inside braces in equation (6.29), which is bounded above thanks to (6.31) and (6.32) by

$$\begin{aligned} \mathbb{E}_\alpha^* (\varphi Y_4(G, \widehat{\eta})) - D(\varphi) &= \sum_{x \in \mathbb{T}_N^2} \int_{\widehat{K} \in \mathbb{K}_l} m(d\widehat{K}) \left(\frac{1}{N} G(x/N) \mathbb{E}_{l,\widehat{K}} (\mathcal{W}_i^l \varphi_{l,\widehat{K}}^x) - (2l+1)^{-2} D_{l,\widehat{K}} (\varphi_{l,\widehat{K}}^x) \right) \\ &\leq \kappa_1 \sum_{x \in \mathbb{T}_N^2} \sup_{\widehat{K} \in \mathbb{K}_l} \left[\frac{\kappa_2}{N} \mathbb{E}_{l,\widehat{K}} (\mathcal{W}_i^l \varphi_{l,\widehat{K}}^x) - D_{l,\widehat{K}} (\varphi_{l,\widehat{K}}^x) \right] \\ (6.33) \qquad \qquad \qquad &\leq \kappa_1 \sum_{x \in \mathbb{T}_N^2} \sup_{\widehat{K} \in \mathbb{K}_l} \sup_{\psi} \left[\frac{\kappa_2}{N} \mathbb{E}_{l,\widehat{K}} (\mathcal{W}_i^l \psi) - D_{l,\widehat{K}} (\psi) \right], \end{aligned}$$

since $\int_{\widehat{K} \in \mathbb{K}_l} m(d\widehat{K}) = 1$, where

$$\kappa_1 = (2l+1)^{-2} \quad \text{and} \quad \kappa_2 = G(x/N)(2l+1)^2,$$

and the supremum is taken over all densities ψ with respect to $\mu_{l,\widehat{K}}$.

We now wish to exclude in the supremum over \widehat{K} above the configurations with one or less empty sites since on the corresponding sets, the exclusion process is not irreducible as investigated in Section 3.3. First note that for any \widehat{K} such that $K = |B_l|$, \mathcal{W}_i^l vanishes. Indeed, thanks to our cutoff functions $\mathbb{1}_{E_p}$, and since l goes to ∞ before p , in that case, the currents, the gradients as well as the $\mathcal{L}f$'s in \mathcal{W}_i^l all vanish as well as $D_{l,\widehat{K}}(\psi)$.

We now consider the case where $K = |B_l| - 1$, i.e. when there is one empty site in B_l . We state the corresponding estimate as a separate lemma for the sake of clarity.

Lemma 6.6. — *There exists a constant $C = C(G, \omega, f)$ such that for any \widehat{K} such that $K = |B_l| - 1$,*

$$\frac{\kappa_2}{N} \mathbb{E}_{l,\widehat{K}} (\mathcal{W}_i^l \psi) \leq D_{l,\widehat{K}} (\psi) + \frac{C}{N^2}.$$

Proof of Lemma 6.6. — First note that all the gradients $\delta_i \eta^{\omega,p}$ vanish in the expression of \mathcal{W}_i^l due to the cutoff functions. We can therefore write, for any configuration with one or less empty site, that

$$\mathcal{W}_i^l = \frac{1}{(2l'+1)^2} \sum_{x \in B_{l'}} (j_{x,x+e_i}^\omega + \mathfrak{d}_{\widehat{K}} j_{x,x+e_i}) - \frac{1}{(2l_f+1)^2} \mathcal{L}_l \bar{f},$$

where we denoted by $\mathfrak{d}_{\widehat{K}}$ the value on $\Sigma_l^{\widehat{K}}$ of $\mathfrak{d}(\rho_l, \rho_l^\omega)$, which does not depend on the configuration, and $\bar{f} = \sum_{x \in B_{l_f}} \tau_x f$. The quantity we want to estimate can therefore be rewritten

$$\frac{\kappa_2}{N} \mathbb{E}_{l, \widehat{K}} (\mathcal{W}_i^l \psi) = \frac{\kappa_2}{N(2l'+1)^2} \mathbb{E}_{l, \widehat{K}} \left(\psi \sum_{x \in B_{l'}} (j_{x, x+e_i}^\omega + \mathfrak{d}_{\widehat{K}} j_{x, x+e_i}) \right) - \frac{\kappa_2}{N(2l_f+1)^2} \mathbb{E}_{l, \widehat{K}} (\psi \mathcal{L}_l \bar{f}).$$

Since κ_2 , $(2l'+1)^2$, and $(2l_f+1)^2$ are of order $(2l+1)^2$, and since the sign of f is arbitrary, to prove Lemma 6.6 it is sufficient to prove both

$$(6.34) \quad \frac{1}{N} \mathbb{E}_{l, \widehat{K}} \left(\psi \sum_{x \in B_{l'}} (j_{x, x+e_i}^\omega + \mathfrak{d}_{\widehat{K}} j_{x, x+e_i}) \right) \leq \frac{D_{l, \widehat{K}}(\psi)}{2} + \frac{C(\omega)}{N^2}$$

and $\frac{1}{N} \mathbb{E}_{l, \widehat{K}} (\psi \mathcal{L}_l \bar{f}) \leq \frac{D_{l, \widehat{K}}(\psi)}{2} + \frac{C(f)}{N^2}.$

The two inequalities above are proven in the same way. We treat in detail the second, which is the most delicate, and simply sketch the adaptations to obtain the first. Using the elementary inequality

$$(6.35) \quad ab \leq \frac{\gamma a^2}{2} + \frac{b^2}{2\gamma},$$

which holds for any positive γ , we first write

$$\begin{aligned} \mathbb{E}_{l, \widehat{K}} (\psi \mathcal{L}_l \bar{f}) &= \sum_{x, x+z \in B_l} \mathbb{E}_{l, \widehat{K}} (\psi \nabla_{x, x+z} \bar{f}) \\ &= -\frac{1}{2} \sum_{x, x+z \in B_l} \mathbb{E}_{l, \widehat{K}} (\nabla_{x, x+z} \psi \nabla_{x, x+z} \bar{f}) \\ &\leq \sum_{x, x+z \in B_l} \frac{\gamma}{4} \mathbb{E}_{l, \widehat{K}} ((\nabla_{x, x+z} \sqrt{\psi})^2) + \frac{1}{4\gamma} \mathbb{E}_{l, \widehat{K}} ((\nabla_{x, x+z} \bar{f})^2 (\sqrt{\psi} + \sqrt{\psi}(\widehat{\eta}^{x, x+z}))^2) \\ &= \frac{\gamma}{2} D_{l, \widehat{K}}(\psi) + \frac{1}{4\gamma} \mathbb{E}_{l, \widehat{K}} \left(\sum_{x, x+z \in B_l} \eta_x (1 - \eta_{x+z}) (\bar{f} - \bar{f}(\widehat{\eta}^{x, x+z}))^2 (\sqrt{\psi} + \sqrt{\psi}(\widehat{\eta}^{x, x+z}))^2 \right). \end{aligned}$$

One only has now to carefully account for the order of the different quantities in the second term. Since f is a bounded local function, by definition of \bar{f} , it is invariant under particle jumps with both ends outside of its domain. There hence exists a constant $C(f)$ such that for any x and $x+z$, $\bar{f} - \bar{f}(\widehat{\eta}^{x, x+z}) \leq C(f)$. In particular, the constant $C(f)$ does not depend on l . We can also crudely bound η_x by 1 and $(\sqrt{\psi} + \sqrt{\psi}(\widehat{\eta}^{x, x+z}))^2$ by $2\psi + \psi(\widehat{\eta}^{x, x+z})$. These bounds and a change of variable $\widehat{\eta} \rightarrow \widehat{\eta}^{x, x+z}$ finally yield that for any positive γ ,

$$\mathbb{E}_{l, \widehat{K}} (\psi \mathcal{L}_l \bar{f}) \leq \frac{\gamma}{2} D_{l, \widehat{K}}(\psi) + \frac{C(f)}{2\gamma} \mathbb{E}_{l, \widehat{K}} \left(\sum_{x, x+z \in B_l} (2 - \eta_x - \eta_{x+z}) \psi \right).$$

Furthermore, since there is only one empty site in B_l ,

$$\sum_{|y| \leq l-1} (2 - \eta_y - \eta_{y+e_i}) = \underbrace{|B_{l-1}| - \sum_{y \in B_{l-1}} \eta_y}_{\leq 1} + \underbrace{|\tau_{e_i} B_{l-1}| - \sum_{y \in \tau_{e_i} B_{l-1}} \eta_y}_{\leq 1} \leq 2,$$

therefore, since ψ is a probability density, and setting $\gamma = N$ proves the second identity of (6.34).

The second identity is obtained in the same way, since

$$\frac{1}{N} \mathbb{E}_{l, \widehat{K}} \left(\psi \sum_{x \in B_{l'}} (j_{x, x+e_i}^\omega + \mathfrak{d}_{\widehat{K}} j_{x, x+e_i}) \right) = \frac{1}{N} \sum_{|y| \leq l-1} \mathbb{E}_{l, \widehat{K}} ((\omega(\theta_y) + \mathfrak{d}_{\widehat{K}}) \nabla_{y, y+e_i} \psi),$$

we also obtain

$$\begin{aligned} \frac{1}{N} \mathbb{E}_{l, \widehat{K}} \left(\psi \sum_{x \in B_l} (j_{x, x+e_i}^\omega + \mathfrak{d}_{\widehat{K}} j_{x, x+e_i}) \right) \\ \leq \frac{\gamma}{2} D_{l, \widehat{K}}(\psi) + \frac{(\|\omega\|_\infty + \|\mathfrak{d}\|_\infty)^2}{2\gamma} \mathbb{E}_{l, \widehat{K}} \left(\sum_{x, x+e_i \in B_l} (2 - \eta_x - \eta_{x+e_i}) \psi \right). \end{aligned}$$

The last estimate, in turn, yields the first inequality in (6.34), which concludes the proof of Lemma 6.6. \square

In the limit $N \rightarrow \infty$ then $l \rightarrow \infty$, Lemma 6.6 guarantees, since κ_1 vanishes as $l \rightarrow \infty$, and since all quantities vanish when $K = |B_l|$, that

$$\kappa_1 \sum_{x \in \mathbb{T}_N^2} \sup_{\substack{\widehat{K} \in \mathbb{K}_l \\ K \geq |B_l| - 1}} \sup_{\psi} \left[\frac{\kappa_2}{N} \mathbb{E}_{l, \widehat{K}} (\mathcal{W}_i^l \psi) - D_{l, \widehat{K}}(\psi) \right] \rightarrow 0.$$

We can therefore restrict the supremum over \widehat{K} to those satisfying $K \leq |B_l| - 2$. Recall that we denoted in equation (3.2) by \mathbb{K}_l the set of such \widehat{K} , the left-hand side of (6.29) is bounded by

$$(6.36) \quad \inf_f \lim_{p \rightarrow \infty} \limsup_{l \rightarrow \infty} \limsup_{N \rightarrow \infty} \kappa_1 \sum_{x \in \mathbb{T}_N^2} \sup_{\widehat{K} \in \mathbb{K}_l} \sup_{\psi} \left[\frac{\kappa_2}{N} \mathbb{E}_{l, \widehat{K}} (\mathcal{W}_i^l \psi) - D_{l, \widehat{K}}(\psi) \right],$$

where the supremum is taken over all densities ψ w.r.t. $\mu_{l, \widehat{K}}$. On all the sets $\Sigma_i^{\widehat{K}}$ considered, \mathcal{L}_l is invertible and the supremum over ψ is a variational formula for the largest eigenvalue of the operator $\mathcal{L}_l + \kappa_2 \mathcal{W}_i^l / N$. Proposition A.6 then allows us to bound the quantity whose limit is taken in (6.36) by

$$\sup_{\widehat{K} \in \mathbb{K}_l} \frac{\kappa_1 \kappa_2^2}{1 - 2\gamma_l \|\mathcal{W}_i^l\|_\infty} \mathbb{E}_{l, \widehat{K}} (\mathcal{W}_i^l (-\mathcal{L}_l)^{-1} \mathcal{W}_i^l) \leq (2l+1)^2 \sup_{\widehat{K} \in \mathbb{K}_l} \mathbb{E}_{l, \widehat{K}} (\mathcal{W}_i^l (-\mathcal{L}_l)^{-1} \mathcal{W}_i^l),$$

where $\tilde{\kappa}_2 = \|G\|_\infty (2l+1)^2$. To obtain the last inequality, we denoted by γ_l the spectral gap of the local generator \mathcal{L}_l , which is positive, and used that $\|\mathcal{W}_i^l\|_\infty$ is finite, and $\kappa_1 \kappa_2^2$ is of order $(2l+1)^2$. In order to obtain inequality (6.29), and conclude the proof of equation (6.7), it is therefore sufficient to prove the following result.

Proposition 6.7 (Estimate of the local covariance). — Recall that \mathcal{W}_i^l is the local average of the difference between currents and gradients up to $\mathcal{L}f$, namely

$$\mathcal{W}_i^l = \langle j_i^\omega \rangle_0' + d_s(\rho_l) \delta_i \rho_{i_p}^{\omega, p} + \mathfrak{d}(\rho_l, \rho_l^\omega) \delta_i \rho_l - \langle \mathcal{L}f \rangle_0^{l_f},$$

where \mathfrak{d} is given by equation (2.12). Recall that \mathbb{K}_l only takes into account configurations with two empty sites in B_l . Then,

$$(6.37) \quad \inf_f \lim_{p \rightarrow \infty} \limsup_{l \rightarrow \infty} \sup_{\widehat{K} \in \mathbb{K}_l} (2l+1)^2 \mathbb{E}_{l, \widehat{K}} (\mathcal{W}_i^l (-\mathcal{L}_l)^{-1} \mathcal{W}_i^l) = 0.$$

We now take a step back from that result in order to introduce the concept of discrete differential forms, which is essential to prove that the quantity above vanishes.

6.6. Discrete differential forms in the context of particles systems. — We introduce in this Section the concept of discrete differential forms in the context of particle systems. The key point of the non-gradient method is that any translation-invariant closed form can be decomposed as the sum of a gradient of a translation-invariant function and the currents. This result is stated in Proposition 6.14, and directly rewrites as an approximation (in the sense of equation (6.37)) of any function in \mathcal{C}_0 by a linear combination of the currents up to an elements of $\mathcal{L}\mathcal{C}_0$.

Let us denote by Σ_∞ the set of configurations on \mathbb{Z}^2

$$\Sigma_\infty = \left\{ (\eta_x, \theta_x)_{x \in \mathbb{Z}^2} \in (\{0, 1\} \times \mathbb{S})^{\mathbb{Z}^2}, \quad \theta_x = 0 \text{ if } \eta_x = 0 \right\}.$$

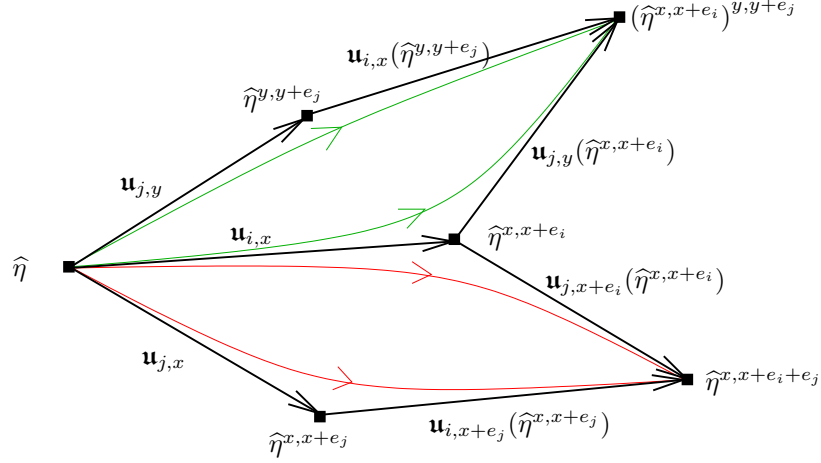


FIGURE 9. Representation of a differential form \mathbf{u} on the graph \mathcal{G} : if \mathbf{u} is closed, the weight of both green paths is identical, and the weight of both red path also is.

We consider here the graph $\mathcal{G} = (\Sigma_\infty, E)$ with edge set

$$(6.38) \quad E = \{(\hat{\eta}, \hat{\eta}') \in \Sigma_\infty^2 \mid \hat{\eta}' = \hat{\eta}^{x,x+e_i} \text{ and } \eta_x(1 - \eta_{x+e_i}) + \eta_{x+e_i}(1 - \eta_x) = 1\}.$$

In other words, two vertices $\hat{\eta}$ and $\hat{\eta}'$ are connected if and only if one can be reached from the other with exactly one allowed particle jump. We endow \mathcal{G} with the usual distance on graphs, i.e. $d(\hat{\eta}, \hat{\eta}')$ is the minimal number of particle jumps necessary to go from one configuration to the other. Note that this graph is not connected, since for example a configuration $\hat{\eta}$ with no particles is not accessible from any configuration $\hat{\eta}'$ with any number of particles. This is also the case for two configurations with different angle distributions. In such a case where there is no path between $\hat{\eta}'$ and $\hat{\eta}$, we will adopt the usual convention $d(\hat{\eta}, \hat{\eta}') = \infty$. By abuse of notation, we also denote by $\mu_{\hat{\alpha}}$ (cf. Definition 3.4) the grand canonical measure on \mathbb{Z}^2 with parameter $\hat{\alpha}$, and write $\mathbb{E}_{\hat{\alpha}}(\cdot)$ for the expectation w.r.t $\mu_{\hat{\alpha}}$, which will not be a problem since we only consider cylinder functions.

In order to illustrate the notion of closed form of the graph \mathcal{G} , let us start first consider the following example. For any edge $a = (a_1, a_2) \subset \mathbb{Z}^2$, we defined the gradient of a cylinder function $f \in \mathcal{C}$ along the edge a as

$$\nabla_a f = \eta_{a_1}(1 - \eta_{a_2})(f(\hat{\eta}^{a_1, a_2}) - f(\hat{\eta})),$$

and shortened $\nabla_i = \nabla_{0, e_i}$.

Let us now fix a cylinder function $F \in \mathcal{C}$. For any $x \in \mathbb{Z}^2$, $i \in \{1, 2\}$, we define

$$(6.39) \quad \mathbf{u}_{i,x}^F(\hat{\eta}) = \nabla_{x, x+e_i} F(\hat{\eta}) = \eta_x(1 - \eta_{x+e_i})(F(\hat{\eta}^{x, x+e_i}) - F(\hat{\eta})).$$

$\mathbf{u}_{i,x}^F$ can be interpreted as the "cost" for the function F to transfer a particle from x to $x + e_i$. For any configuration $\hat{\eta}$ with $\eta_x = 1 - \eta_{x+e_i} = 1$, to each edge $(\hat{\eta}, \hat{\eta}^{x, x+e_i}) \in E$ (cf. equation (6.38)) in our graph \mathcal{G} we therefore associate the "cost" $\mathbf{u}_{i,x}^F$. The collection $(\mathbf{u}_{i,x}^F)_{i,x}$ is a particular type of closed form, called an *exact form*, because it can be written as the gradient of a local function, in the sense of equation (6.39). However, we do not need a function F to define such a collection of variables, and the idea of closed forms is to generalize this notion of gradient on the graph \mathcal{G} .

We will now define the notions of exact and closed forms on the metric space (\mathcal{G}, d) , which will be necessary in order to prove Theorem 6.25.

Definition 6.8 (Differential forms on (\mathcal{G}, d)). — A *differential form* on (\mathcal{G}, d) is a collection of functions $(\mathbf{u}_{i,x})_{i \in \{1,2\}, x \in \mathbb{Z}^2}$, with

$$\mathbf{u}_{i,x}(\hat{\eta}) = \eta_x(1 - \eta_{x+e_i})v_{i,x}(\hat{\eta}) \in L^2(\mu_{\hat{\alpha}}),$$

and $v_{i,x} : \Sigma_\infty \rightarrow \mathbb{R}$.

As outlined before, $\mathbf{u}_{i,x}(\hat{\eta})$ can be interpreted as the "cost" of a particle's transfer from x to $x + e_i$ in the configuration $\hat{\eta}$. A differential form is closed if the "cost" of a path only depends on its endpoints. It is easy to see that a form is closed if and only if the previous property is true for any two-edge path. Since a two-edge path consists either in a particle moved twice or in two particles moved once each, we can give the following definition.

Definition 6.9 (Closed forms on (\mathcal{G}, d)). — A differential form $(\mathbf{u}_{i,x})_{i \in \{1,2\}, x \in \mathbb{Z}^2}$ is *closed* if both of the following equalities hold for any $x, y \in \mathbb{Z}^2$, $i, j \in \{1, 2\}$:

$$(6.40) \quad \mathbf{u}_{i,x}(\hat{\eta}) + \mathbf{u}_{j,x+e_i}(\hat{\eta}^{x,x+e_i}) = \mathbf{u}_{j,x}(\hat{\eta}) + \mathbf{u}_{i,x+e_j}(\hat{\eta}^{x,x+e_j})$$

$$(6.41) \quad \mathbf{u}_{i,x}(\hat{\eta}) + \mathbf{u}_{j,y}(\hat{\eta}^{x,x+e_i}) = \mathbf{u}_{j,y}(\hat{\eta}) + \mathbf{u}_{i,x}(\hat{\eta}^{y,y+e_j})$$

for any $\hat{\eta}$ such that both paths are allowed, i.e whenever $\eta_x = 1$, $\eta_{x+e_i} = \eta_{x+e_j} = \eta_{x+e_i+e_j} = 0$ in the first case, $\eta_x = \eta_y = 1$, $\eta_{x+e_i} = \eta_{y+e_j} = 0$ in the second. The first identity states that transferring a particle from x to $x + e_i$ then to $x + e_i + e_j$ creates the same cost as transferring it first to $x + e_j$ and then to $x + e_j + e_i$. The second states that transferring a particle in x to $x + e_i$ then another from y to $y + e_j$ is the same as transferring a particle from y to $y + e_j$ then the other from x to $x + e_i$.

Given two configurations $\hat{\eta}, \hat{\eta}'$ such that $d(\hat{\eta}, \hat{\eta}') = 2$, the two properties above ensure in particular that the cost of any finite path on \mathcal{G} from $\hat{\eta}$ to $\hat{\eta}'$ is the same.

In particular, we easily see that for a closed form, the "cost" for a particle to jump from x to $x - e_i$ is $-\mathbf{u}_{i,x-e_i}(\hat{\eta}^{x,x-e_i})$: making the particle in x jump in the direction e_i , then make it jump back in the direction $-e_i$ should have no cost :

$$\mathbf{u}_{i,x-e_i}(\hat{\eta}) - \mathbf{u}_{i,x-e_i}(\hat{\eta}^{x,x-e_i}) = 0.$$

As outlined in the introductory example, for any cylinder function F , the differential form $(\mathbf{u}_{i,x})$ defined for any i and x by $\mathbf{u}_{i,x} = \mathbf{u}_{i,x}^F$ is a particular type of closed form.

Definition 6.10 (Exact forms on (\mathcal{G}, d)). — A differential form $(\mathbf{u}_{i,x})_{i \in \{1,2\}, x \in \mathbb{Z}^2}$ is *exact* if there exists a function $F : \Sigma_\infty \rightarrow \mathbb{R}$ such that for any $x \in \mathbb{Z}^2$, $i \in \{1, 2\}$

$$\mathbf{u}_{i,x}(\hat{\eta}) = \nabla_i F(x) = \eta_x(1 - \eta_{x+e_i})(F(\hat{\eta}^{x,x+e_i}) - F(\hat{\eta})).$$

We now investigate further the case of translation invariant closed forms.

Definition 6.11 (Germs of a closed form). — A pair $\mathbf{u} = (\mathbf{u}_1, \mathbf{u}_2)$ of functions on Σ_∞ is a *germ of a closed form* if $(\tau_x \mathbf{u}_i)_{i \in \{1,2\}, x \in \mathbb{Z}^2}$ is a closed form. We endow the set of germs of closed forms with its $L^2(\mu_{\hat{\alpha}})$ norm

$$(6.42) \quad \|\mathbf{u}\|_{\hat{\alpha},2} = [\mathbb{E}_{\hat{\alpha}}(\mathbf{u}_1^2 + \mathbf{u}_2^2)]^{1/2}$$

We denote by \mathfrak{C} the vector space of germs of closed forms, and by $\mathfrak{C}_{\hat{\alpha}}$ its weak closure in $L^2(\mu_{\hat{\alpha}})$. Note that in the Banach $L^2(\mu_{\hat{\alpha}})$, and since \mathfrak{C} is a vector space, the weak and strong closure coincide, and therefore $\mathfrak{C}_{\hat{\alpha}}$ is also the strong closure of \mathfrak{C} in $L^2(\mu_{\hat{\alpha}})$.

Definition 6.12 (Germs of an exact form). — A pair $\mathbf{u} = (\mathbf{u}_1, \mathbf{u}_2)$ will be called *germ of an exact form* if we can write

$$(\mathbf{u}_1, \mathbf{u}_2) = \nabla \Sigma_h = (\nabla_1 \Sigma_h, \nabla_2 \Sigma_h)$$

for some *cylinder function* h , where Σ_h is defined as the formal sum $\Sigma_h = \sum_{x \in \mathbb{Z}^2} \tau_x h$. We denote by \mathfrak{E} the vector space of germs of exact forms, and by $\mathfrak{E}_{\hat{\alpha}}$ its weak (and also strong, cf. Definition 6.11) closure in $L^2(\mu_{\hat{\alpha}})$.

Remark 6.13. — Since the function Σ_h is ill-defined as a series, one could argue that the definition of a germ of an exact form is also ill-defined. However, for any given direction i and since the functions h have finite support, $\nabla_i \Sigma_h$ is well-defined as a finite sum. Also note that the collection of translations of a germ of an exact form does not necessarily yield an exact form. We will see later on, though, that it produces at least a closed form.

In order to investigate the structure of the set of germs of closed forms, let us expand briefly on some of its noteworthy subsets. The first such subset is the set of germs of exact forms. Indeed, it is easily verified that if the germ is the gradient of some "translation-invariant" function, the cost for a path only depends on its endpoints, and therefore

$$\mathfrak{E}_{\hat{\alpha}} \subset \mathfrak{C}_{\hat{\alpha}}.$$

Before introducing the second particular subset, let us first describe the closed forms representing the particle currents. Let us consider the closed form defined by

$$\mathbf{j}_{i,x}^1 = \mathbb{1}_{i=1} \eta_x (1 - \eta_{x+e_1}).$$

This differential form is trivially closed, since the cost of any path is the algebraic number of particle jumps to the left along the trajectory defined by this path, which does not depend on the trajectory but only on the first and last configurations. This differential form is translation invariant with germ

$$(6.43) \quad \mathbf{j}^1 = (\mathbf{j}_1^1, \mathbf{j}_2^1) = (\eta_0(1 - \eta_{e_1}), 0),$$

and it can be interpreted as the gradient of the formal function $F_1(\hat{\eta}) = \sum_{x \in \mathbb{Z}^2} x_1 \eta_x$, which gains 1 when a particle jumps to the right, and decreases by the same amount when a particle jumps to the left. However, since F_1 is not a well-defined function, the closed form associated with \mathbf{j}^1 is not an exact form. We can define in a similar fashion the germ of the closed form representing the particle current in the second direction, namely

$$(6.44) \quad \mathbf{j}^2 = (0, \eta_0(1 - \eta_{e_2})),$$

whose associated closed form is the gradient of the formal sum $F_2(\hat{\eta}) = \sum_{x \in \mathbb{Z}^2} x_2 \eta_x$, which gains 1 when a particle jumps up, and loses 1 when a particle jumps down. Regarding the angle-blind exclusion process, these two forms would be sufficient to account for the particle currents on \mathbb{Z}^2 . In our case however, consider for example the germs

$$\mathbf{j}^{1,\theta} = (\eta_0^\theta(1 - \eta_{e_1}), 0), \quad \mathbf{j}^{2,\theta} = (0, \eta_0^\theta(1 - \eta_{e_2})),$$

where we defined $\eta_x^\theta = \mathbb{1}_{\theta_x = \theta} \eta_x$. These germs represent the current of particles with spin θ , and cannot be expressed by a combination of \mathbf{j}^1 and \mathbf{j}^2 . It is not hard to see that these are also germs of closed forms, since the corresponding differential forms count the algebraic number of left-wise particle jumps with angle θ , in the corresponding direction.

Any germ of a closed form in the context of particle systems can usually be expressed as the sum of a germ of an exact form and of the macroscopic currents. In our case, this would mean that any θ -dependent germ of a closed form can be expressed as a combination of all the $\mathbf{j}^{1,\theta}$ and $\mathbf{j}^{2,\theta}$, up to the germ of an exact form $\nabla \Sigma_f$.

Recall that $\mathfrak{C}_{\hat{\alpha}}$ and $\mathfrak{E}_{\hat{\alpha}}$ are introduced in Definitions 6.11 and 6.12. The main result of this Section is that any closed form in $\mathfrak{C}_{\hat{\alpha}}$ is a combination of the forms \mathbf{j}^i and $\mathbf{j}^{i,\theta}$, with a perturbation in $\mathfrak{E}_{\hat{\alpha}}$. However, the proof of this decomposition requires a sharp estimate of the spectral gap of the generator of the symmetric exclusion process, which we do not have in our case because of the angles, as outlined in Section 5.2. Furthermore, we do not need to understand each current of particles with angle θ , but rather an observable current weighted by ω . For this reason, one can restrict to the class of semi angle-blind functions, with no correlations between angles. More precisely, recall that we already introduced in (5.4) T_0^ω the subspace of $L^2(\mu_\alpha^*)$

$$T_0^\omega = \left\{ f \in L^2(\mu_\alpha), \quad f(\hat{\eta}) = \varphi(\eta) + \sum_{x \in \mathbb{Z}^2} (c_1 \eta_x^\omega + c_2 \eta_x) \psi_x(\eta), \quad c_1, c_2 \in \mathbb{R}, \text{ and } \psi_x \in \mathcal{S} \forall x \in \mathbb{Z}^2, \varphi \in \mathcal{S} \right\}.$$

For $i = 1, 2$, let E_i be the space

$$E_i = \left\{ f, \quad \mathbb{E}_{\hat{\alpha}} \left(\mathbb{1}_{\{\eta_0 \eta_{e_i} = 0\}} f^2 \right) < \infty \right\} \subset L^2(\mu_\alpha)$$

and T_i^ω the closure in E_i of T_0^ω (Once again, strong closure and weak closure coincide, and we therefore do not need to specify which one we consider). Let $T_i^{\omega \perp}$ be its orthogonal in E_i , and let us denote by \mathfrak{T}^ω

the set of pairs of random variables with each coordinate in T_i^ω

$$(6.45) \quad \mathfrak{T}^\omega = \left\{ \mathbf{t} \in (L^2(\mu_{\hat{\alpha}}))^2, \quad \mathbf{t}_i \in T_i^\omega \quad \forall i \in \{1, 2\} \right\}.$$

The embedding in E_i is performed for purely technical reasons. Essentially, it allows T_i^ω as well as $T_i^{\omega^\perp}$ to be stable under the action of the symmetric generator \mathcal{L} , but since this is not a crucial point of the proof, we do not give more detail here.

Finally, we define the germs of closed forms

$$(6.46) \quad \mathbf{j}^{1,\omega} = (\eta_0^\omega(1 - \eta_{e_1}), 0), \quad \mathbf{j}^{2,\omega} = (0, \eta_0^\omega(1 - \eta_{e_2})),$$

and let \mathfrak{J}^ω be the linear span of the four germs of closed forms described through equations (6.43), (6.44) and (6.46)

$$\mathfrak{J}^\omega = \{a_1 \mathbf{j}^1 + a_2 \mathbf{j}^2 + b_1 \mathbf{j}^{1,\omega} + b_2 \mathbf{j}^{2,\omega}, \quad (a_1, a_2, b_1, b_2) \in \mathbb{R}^4\}$$

Proposition 6.14 (Structure of $\mathfrak{C}_{\hat{\alpha}}$). — For any angle measure $\hat{\alpha} \in \mathcal{M}_1(\mathbb{S})$, with the notations above we have the decomposition

$$\mathfrak{C}_{\hat{\alpha}} \cap \mathfrak{T}^\omega = (\mathfrak{E}_{\hat{\alpha}} \cap \mathfrak{T}^\omega) + \mathfrak{J}^\omega.$$

Remark 6.15. — Notice that the \mathbf{j}^i and $\mathbf{j}^{i,\omega}$ are in \mathfrak{T}^ω , therefore we do not need to restrict \mathbf{j}^ω to \mathfrak{T}^ω . Finally, we can safely assume that the total density α is in $]0, 1[$. If not, the graph \mathcal{G} is trivial since its edge set is empty. This assumption will be made throughout the rest of this Section.

Before turning to the proof of the last proposition, we investigate the case of a finite domain configuration. Considering the graph \mathcal{G}_n with vertices the *non-periodic configurations* $\hat{\eta}$ on the box $B_n = \{-n, \dots, n\}^2$, and connected in the same way as on the infinite graph if one can be reached from the other with one allowed jump. We define the sets $\mathfrak{C}_{\hat{\alpha},n}$ and $\mathfrak{E}_{\hat{\alpha},n}$ the closure of the sets of closed and exact forms on the graph \mathcal{G}_n in $L^2(\mu_{\hat{\alpha}})$. On this graph, we have the following result.

Proposition 6.16. — For any density parameter $\hat{\alpha}$, with the notations above we have the decomposition,

$$\mathfrak{C}_{\hat{\alpha},n} = \mathfrak{E}_{\hat{\alpha},n}.$$

i.e. on a finite set, all closed forms are exact forms.

Proof of Proposition 6.16. — It is important to consider only a non-periodic domain, because in the periodic case, the differential form associated to any of the germs in \mathbf{j}^ω are not closed. In particular, in a non-periodic domain, it is not true that a differential form is closed if and only if the cost of any path of length 2 only depends on its end points.

We simply sketch the proof, and refer the reader to appendix 3 of [27] for the detailed proof. The basic idea is quite simple. For any given closed form $\mathbf{u} = (\mathbf{u}_{i,x})_{i,x}$ and any given particle number \hat{K} such that $K < (2l + 1)^2$, choose a reference configuration $\hat{\eta}_{\hat{K}}$ with \hat{K} particles in B_n , for which we set $F(\hat{\eta}_{\hat{K}}) = 0$. Then, for any configuration $\hat{\eta}'$ with \hat{K} particles in B_n which is reachable from $\hat{\eta}$ (in particular, any configuration is if $K < (2n + 1)^2 - 1$, cf. Section 3.3), choose a path of neighbor configurations in \mathcal{G}_n , $\gamma = (\hat{\eta}_i)_{i=1 \dots l}$ between $\hat{\eta}_1 = \hat{\eta}_{\hat{K}}$ and $\hat{\eta}_l = \hat{\eta}'$. We then let

$$F(\hat{\eta}') = \sum_{i=1}^{l-1} u(\hat{\eta}_i, \hat{\eta}_{i+1}),$$

where $u(\hat{\eta}_i, \hat{\eta}_{i+1})$ is the cost, according to the differential form $(\mathbf{u}_{i,x})_{i,x}$ of the jump from $\hat{\eta}_i$ to $\hat{\eta}_{i+1}$. It is then easy to see that this defines a function F , whose gradient is the closed form \mathbf{u} . \square

We now turn to the proof of the decomposition of germs of closed forms on the infinite configurations.

Proof of Proposition 6.14. — We have seen previously that the elementary currents \mathbf{j}^i , $\mathbf{j}^{i,\omega}$ are all germs of closed forms, hence their linear span is included in $\mathfrak{C}_{\hat{\alpha}}$. Let $\mathbf{u} = \nabla \Sigma_h$ be the germ of an exact form, with h some cylinder function in $L^2(\mu_{\hat{\alpha}})$, let us show that \mathbf{u} is the germ of a closed form. The differential form associated to \mathbf{u} is

$$\mathbf{u}_{i,x}(\hat{\eta}) = \eta_x(1 - \eta_{x+e_i}) [\Sigma_h(\hat{\eta}^{x,x+e_i}) - \Sigma_h(\hat{\eta})],$$

which is the form associated to the formal function Σ_h . Since it is not a proper function, u is not exact, however when the particle jumps are allowed, the variation of u only depends on the trajectory through its endpoints, since this differential form restricted to any finite subset of \mathbb{Z}^2 is the gradient of a function. The form $(\tau_x \mathbf{u}_i)_{i \in \{1,2\}, x \in \mathbb{Z}^2}$ is therefore closed, and by definition u is a germ of a closed form.

We have now proven that

$$\mathfrak{C}_{\hat{\alpha}} \supset \mathfrak{L}_{\hat{\alpha}} + \{\mathbf{j}^i, \mathbf{j}^{i,\omega}, \quad i \in \{1,2\}\}.$$

We now come to the main part of this result, namely the reverse inclusion. The strategy of the proof is rather straightforward, let us give a brief outline right now. Given a germ of closed form $\mathbf{u} = (\mathbf{u}_1, \mathbf{u}_2)$, the main idea of the proof is to project the associated closed form $(\tau_x \mathbf{u}_i)_{i,x}$ on large finite cubes, on which it is exact according to Proposition 6.16. This will allow us to write \mathbf{u}_i as the gradient of a local average, up to a boundary term. The gradient will converge towards the germ of an exact form after local averaging, whereas the boundary term is ultimately in \mathfrak{j}^ω .

Let \mathbf{u} be the germ of a closed form in the subspace \mathfrak{T}^ω defined in (6.45), and $(\mathbf{u}_{i,x})_{i,x} = (\tau_x \mathbf{u}_i)_{i,x}$ the associated closed form. For any fixed integer n , let \mathcal{F}_n be the σ -algebra generated by the spins inside B_n

$$\mathcal{F}_n = \sigma(\hat{\eta}_x, x \in \llbracket -n, n \rrbracket^2).$$

Furthermore, let $\mathbf{u}_{i,x}^n$ be the conditional expectation

$$\mathbf{u}_{i,x}^n = \mathbb{E}_{\hat{\alpha}}(\mathbf{u}_{i,x} \mid \mathcal{F}_n).$$

Note in particular that $\mathbf{u}_{i,x}^n$ is also in \mathfrak{T}^ω .

Recall that the gradient of a local function φ when a particle jumps from x to $x + e_i$ is defined as

$$\nabla_{x,x+e_i} \varphi(\hat{\eta}) = \eta_x (1 - \eta_{x+e_i}) (\varphi(\hat{\eta}^{x,x+e_i}) - \varphi(\hat{\eta}))$$

Since according to Proposition 6.16, any closed form on a finite box is exact, there exists a family of \mathcal{F}_n -measurable function $\varphi_n \in L^2(\mu_{\hat{\alpha}})$ such that

$$(6.47) \quad \mathbf{u}_{i,x}^n = \nabla_{x,x+e_i} \varphi_n = \tau_x \bar{\nabla}_{0,e_i} \tau_{-x} \varphi_n.$$

Furthermore, since the gradient of any constant vanishes, we can safely assume that for any n , $\mathbb{E}_{\hat{\alpha}}(\varphi_n) = 0$. Let us fix $n \in \mathbb{N}$, and consider the germ of an exact form $\frac{1}{(2n)^2} \nabla_{0,e_i} \Sigma \varphi_n$

$$\frac{1}{(2n)^2} \nabla_{0,e_i} \Sigma \varphi_n = \frac{1}{(2n)^2} \nabla_{0,e_i} \sum_{x \in \mathbb{Z}^2} \tau_x \varphi_n = \frac{1}{(2n)^2} \sum_{x \in \mathbb{Z}^2} \tau_{-x} \nabla_{x,x+e_i} \varphi_n.$$

Since φ_n is \mathcal{F}_n -measurable, $\nabla_{x,x+e_i} \varphi_n$ vanishes as soon as both x and $x + e_i$ are not in B_n . Hence, the previous quantity is equal to

$$(6.48) \quad \frac{1}{(2n)^2} \nabla_{0,e_i} \Sigma \varphi_n = \frac{1}{(2n)^2} \sum_{\substack{-n-1 \leq x_i \leq n \\ |x_j| \leq n, j \neq i}} \tau_{-x} \nabla_{x,x+e_i} \varphi_n = R_{n,i} + \frac{1}{(2n)^2} \sum_{\substack{-n \leq x_i \leq n-1 \\ x \in B_n}} \tau_{-x} \nabla_{x,x+e_i} \varphi_n,$$

where the boundary term $R_{n,i}$ is

$$R_{n,i} = \frac{1}{(2n)^2} \left[\sum_{\substack{x_i = -n-1 \\ |x_j| \leq n, j \neq i}} \tau_{-x} \nabla_{x,x+e_i} \varphi_n + \sum_{\substack{x_i = n \\ x \in B_n}} \tau_{-x} \nabla_{x,x+e_i} \varphi_n \right].$$

Since φ_n is supported in B_n , the exchanges at the boundary act as reservoirs with creation (first term in $R_{n,i}$) at the sites x with $x_i = -n$, and annihilation of particles (second term in $R_{n,i}$) at the sites x such that $x_i = n$.

Let us focus on the resulting equation and its behavior as n goes to infinity :

$$\frac{1}{(2n)^2} \nabla_{0,e_i} \Sigma \varphi_n = R_{n,i} + \frac{1}{(2n)^2} \sum_{\substack{-n \leq x_i \leq n-1 \\ x \in B_n}} \tau_{-x} \nabla_{x,x+e_i} \varphi_n.$$

For any n , the left-hand side is the germ of an exact form as introduced in Definition 6.12, and the limit is therefore in $\mathfrak{L}_{\hat{\alpha}}$. We will see that the second term of the right-hand side converges in $L^2(\mu_{\hat{\alpha}})$ as n goes to infinity towards \mathbf{u}_i . Hence to prove Proposition 6.14 it will be sufficient to show that the boundary

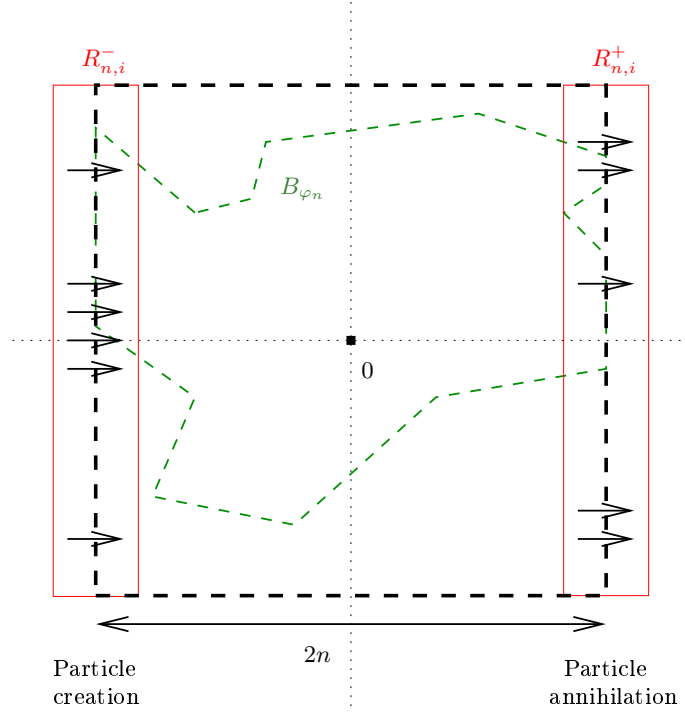


FIGURE 10. Description of the boundary terms $\tilde{R}_{n,i}$ in equation (6.51).

term $R_{n,i}$ remains in a compact set, and that any of its limit points is in the linear span of the elementary currents. In order to do that, we must first obtain some control over the boundary term, i.e. to estimate it by the Dirichlet form of the φ'_n s. The difficulty here is that the Dirichlet form records only the displacements of particles, whereas the boundary term involves creation and annihilation of particles.

Let us briefly illustrate that statement : consider one element in the boundary term $R_{n,i}$, say $x \in B_n$ such that $x_i = n$, and consider the gradient $\nabla_{x,x+e_i}\varphi_n$. For any configuration $\hat{\eta}$ with a particle in x , let us denote $\hat{\eta} - \delta^x$ the configuration equal to $\hat{\eta}$ everywhere except in x where the site is now empty. Since φ_n is \mathcal{F}_n -measurable, the previous gradient is equal to

$$(6.49) \quad \nabla_{x,x+e_i}\varphi_n(\hat{\eta}) = \eta_x(1 - \eta_{x+e_i})(\varphi_n(\hat{\eta} - \delta_x) - \varphi_n(\hat{\eta})).$$

Creation and annihilation of particles cannot be directly estimated by the Dirichlet form. In order to circumvent this problem, we need to smooth out φ_n on a larger domain and consider

$$\tilde{\varphi}_n = \mathbb{E}_{\hat{\alpha}}(\varphi_{3n} | \mathcal{F}_n).$$

Rewrite (6.48) with $\tilde{\varphi}_n$ instead of φ_n

$$(6.50) \quad \frac{1}{(2n)^2} \nabla_{0,e_i} \Sigma \tilde{\varphi}_n = \frac{1}{(2n)^2} \sum_{\substack{-n \leq x_i \leq n-1 \\ x \in B_n}} \tau_{-x} \nabla_{x,x+e_i} \tilde{\varphi}_n + \tilde{R}_{n,i},$$

where this time

$$(6.51) \quad \tilde{R}_{n,i} = \frac{1}{(2n)^2} \left[\sum_{\substack{x_i = -n-1 \\ |x_j| \leq n, j \neq i}} \tau_{-x} \nabla_{x,x+e_i} \tilde{\varphi}_n + \sum_{\substack{x_i = n \\ x \in B_n}} \tau_{-x} \nabla_{x,x+e_i} \tilde{\varphi}_n \right].$$

We are going to show that

- the bulk term converges as n goes to infinity to \mathbf{u}_i .
- the limiting boundary terms are all in the linear span of the currents.

For the sake of clarity, we state both of these results as separate lemmas, and we will prove them afterwards.

Lemma 6.17 (Convergence of the bulk term towards \mathbf{u}_i). — For any $i \in \{1, 2\}$, the convergence

$$\frac{1}{(2n)^2} \sum_{\substack{-n \leq x_i \leq n-1 \\ x \in \tilde{B}_n}} \tau_{-x} \nabla_{x, x+e_i} \tilde{\varphi}_n \xrightarrow{n \rightarrow \infty} \mathbf{u}_i$$

holds in $L^2(\mu_{\hat{\alpha}})$.

Let us state the second part of the convergence before giving the proofs.

Lemma 6.18 (Limit of the boundary term). — For any $i \in \{1, 2\}$, we split the boundary term according to Figure 10 as

$$\tilde{R}_{n,i} = \tilde{R}_{n,i}^- + \tilde{R}_{n,i}^+,$$

where

$$(6.52) \quad \tilde{R}_{n,i}^- = \frac{1}{(2n)^2} \sum_{\substack{x_i = -n-1 \\ |x_j| \leq n, j \neq i}} \tau_{-x} \nabla_{x, x+e_i} \tilde{\varphi}_n, \quad \text{and} \quad \tilde{R}_{n,i}^+ = \frac{1}{(2n)^2} \sum_{\substack{x_i = n \\ x \in \tilde{B}_n}} \tau_{-x} \nabla_{x, x+e_i} \tilde{\varphi}_n,$$

which will be referred to respectively as negative and positive boundary terms. With the previous notations, both sequences $(\tilde{R}_{n,i}^-)_{n \in \mathbb{N}}$ and $(\tilde{R}_{n,i}^+)_{n \in \mathbb{N}}$ are bounded in $L^2(\mu_{\hat{\alpha}})$. Furthermore, for any weakly convergent subsequence $\tilde{R}_{k_n,i}^- \rightarrow \mathfrak{R}_i^-$, there exists $a_i, b_i \in \mathbb{R}$ such that

$$\mathfrak{R}_i^- = a_i \eta_0^\omega (1 - \eta_{e_i}) + b_i \eta_0 (1 - \eta_{e_i}).$$

The same is true for the positive boundary term.

Before giving the proof of the two Lemmas 6.17 and 6.18, we conclude the proof of Proposition 6.14. Recall from equation (6.50) that

$$\frac{1}{(2n)^2} \sum_{\substack{-n \leq x_i \leq n-1 \\ x \in \tilde{B}_n}} \tau_{-x} \nabla_{x, x+e_i} \tilde{\varphi}_n = \frac{1}{(2n)^2} \nabla_{0, e_i} \Sigma \tilde{\varphi}_n - \tilde{R}_{n,i},$$

Lemma 6.17 guarantees that the left-hand side converges in $L^2(\mu_{\hat{\alpha}})$ towards \mathbf{u}_i , whereas the first term in the right-hand side is the limit of a sequence of germs of exact forms. Finally, Lemma 6.18 guarantees that

$$\lim_{n \rightarrow \infty} (\tilde{R}_{n,1}, \tilde{R}_{n,2}) = \sum_{i=1}^2 a_i \mathbf{j}^i + b_i \mathbf{j}^{i,\omega},$$

where \mathbf{j}^i and $\mathbf{j}^{i,\omega}$ were defined in (6.43), (6.44) and (6.46). This yields, as wanted, that

$$\mathfrak{C}_{\hat{\alpha}} \cap \mathfrak{T}^\omega \subset (\mathfrak{L}_{\hat{\alpha}} \cap \mathfrak{T}^\omega) + \mathfrak{J}^\omega,$$

which proves Proposition 6.14. \square

The proof of Lemma 6.17 is simple, we treat it right now before turning to the proof of Lemma 6.18, which is a little more elaborate.

Proof of Lemma 6.17. — We want to prove that the convergence

$$\lim_{n \rightarrow \infty} \frac{1}{(2n)^2} \sum_{\substack{-n \leq x_i \leq n-1 \\ x \in \tilde{B}_n}} \tau_{-x} \nabla_{x, x+e_i} \tilde{\varphi}_n = \mathbf{u}_i,$$

holds in $L^2(\mu_{\hat{\alpha}})$. By construction, for any $x, x + e_i \in B_n$,

$$\nabla_{x, x+e_i} \tilde{\varphi}_n = \nabla_{x, x+e_i} \mathbb{E}_{\hat{\alpha}}(\varphi_{3n} \mid \mathcal{F}_n) = \mathbb{E}_{\hat{\alpha}}(\nabla_{x, x+e_i} \varphi_{3n} \mid \mathcal{F}_n),$$

since both x and $x + e_i$ are in B_n . Since by definition of φ_n , $\mathbf{u}_{i,x}^n = \nabla_{x, x+e_i} \varphi_n$ we deduce that

$$\nabla_{x, x+e_i} \tilde{\varphi}_n = \mathbb{E}_{\hat{\alpha}}(\mathbf{u}_{i,x}^{3n} \mid \mathcal{F}_n) = \mathbb{E}_{\hat{\alpha}}(\mathbf{u}_{i,x} \mid \mathcal{F}_n).$$

The random variable $\mathbf{u}_{i,0}^n = \mathbb{E}_{\hat{\alpha}}(\mathbf{u}_{i,0} \mid \mathcal{F}_n)$ converges in $L^2(\mu_{\hat{\alpha}})$ to $\mathbf{u}_{i,0} = \mathbf{u}_i$. Therefore, consider $\varepsilon > 0$, there exists some integer n_0 such that

$$\mathbb{E}_{\hat{\alpha}} \left(\left| \mathbf{u}_{i,0}^{n_0} - \mathbf{u}_i \right|^2 \right) \leq \varepsilon,$$

and it is easy to see that for any $n \geq n_0$ and $x \in B_{n-n_0}$, we also have

$$\mathbb{E}_{\hat{\alpha}} \left(\left| \tau_{-x} \mathbf{u}_{i,x}^n - \mathbf{u}_i \right|^2 \right) \leq \varepsilon$$

since $\mathbb{E}_{\hat{\alpha}}$ is translation invariant. Now we have some control over the convergence of $\mathbf{u}_{i,x}^n$ for any $x \in B_{n-n_0}$, we can prove Lemma 6.17. For any $n \geq n_0$,

$$\begin{aligned} \mathbb{E}_{\hat{\alpha}} \left(\left(\frac{1}{(2n)^2} \sum_{\substack{-n \leq x_i \leq n-1 \\ x \in B_n}} \tau_{-x} \mathbf{u}_{i,x}^n - \mathbf{u}_i \right)^2 \right) \\ \leq \frac{1}{(2n)^2} \sum_{\substack{-n \leq x_i \leq n-1 \\ x \in B_n}} \mathbb{E}_{\hat{\alpha}} \left((\tau_{-x} \mathbf{u}_{i,x}^n - \mathbf{u}_i)^2 \right) \\ = \frac{1}{(2n)^2} \sum_{x \in B_{n-n_0}} \mathbb{E}_{\hat{\alpha}} \left((\tau_{-x} \mathbf{u}_{i,x}^n - \mathbf{u}_i)^2 \right) + \frac{1}{(2n)^2} \sum_{\substack{-n \leq x_i \leq n-1 \\ x \in B_n - \bar{B}_{n-n_0}}} \mathbb{E}_{\hat{\alpha}} \left((\tau_{-x} \mathbf{u}_{i,x}^n - \mathbf{u}_i)^2 \right) \\ \leq \frac{(2(n-n_0)+1)^2}{(2n)^2} \varepsilon + \frac{4nn_0}{(2n)^2} C_i \\ \leq \varepsilon + o_n(1), \end{aligned}$$

where C_i is a crude bound on

$$\mathbb{E}_{\hat{\alpha}} \left((\tau_{-x} \mathbf{u}_{i,x}^n - \mathbf{u}_i)^2 \right) \leq 2\mathbb{E}_{\hat{\alpha}} \left((\mathbf{u}_{i,0}^n)^2 \right) + 2\mathbb{E}_{\hat{\alpha}} \left(\mathbf{u}_i^2 \right) \leq 4\mathbb{E}_{\hat{\alpha}} \left(\mathbf{u}_i^2 \right) := C_i,$$

thanks to the conditional Jensen inequality. Finally, for any $\varepsilon > 0$, we can write

$$\lim_{n \rightarrow \infty} \mathbb{E}_{\hat{\alpha}} \left(\left(\frac{1}{(2n)^2} \sum_{\substack{-n \leq x_i \leq n-1 \\ x \in B_n}} \tau_{-x} \mathbf{u}_{i,x}^n - \mathbf{u}_i \right)^2 \right) \leq \varepsilon,$$

and we have shown Lemma 6.17. \square

We now prove the second Lemma, i.e. that the limiting boundary term is in the linear span of the currents, which is the main difficulty of this Section.

Proof of Lemma 6.18. — The proof of this Lemma being long, we split it into three steps.

— We first control the $L^2(\mu_{\hat{\alpha}})$ norm of the $\tilde{\varphi}_n$'s.

— Thanks to this control, we prove that the boundary terms $\tilde{R}_{n,i}^{\pm}$ are bounded in $L^2(\mu_{\hat{\alpha}})$, and therefore weakly compact.

— Finally, we prove that the limiting boundary terms \mathfrak{R}_i^{\pm} can only depend on the configuration through $\hat{\eta}_0$ and $\hat{\eta}_{e_i}$, and that they can be written as a combination of the \mathbf{j}^i and $\mathbf{j}^{i,\omega}$.

The scheme follows closely that of Theorem 4.14 in Appendix 3 of [27] however adjustments are needed in the second and third step to take into account the presence of the angles.

First step : Control on the L^2 norm of the φ_n 's.

We proved in Section 5.2 that, even though we do not have a sufficiently sharp spectral gap on the set \mathcal{C}_0 defined in (5.1), we could circumvent this difficulty by restricting ourselves to a convenient class of functions not too dependent on the spins. This spectral gap estimate is needed to control the norm of the φ_n 's. This is one of the reasons for limiting the result to closed forms in \mathfrak{T}^{ω} defined in (6.45). We state this step as a separate lemma for the sake of clarity.

Lemma 6.19. — *There exists a constant K depending only on $\hat{\alpha}$, such that φ_n , introduced in (6.47) verifies for any $n \in \mathbb{N}$,*

$$\mathbb{E}_{\hat{\alpha}}(\varphi_n^2) \leq Kn^4 \|\mathbf{u}\|_{2,\hat{\alpha}}^2.$$

Proof of Lemma 6.19. — For f a function in T_i^ω , one can check that the symmetric gradient

$$\tilde{\nabla}_i f := \mathbb{1}_{\{\eta_0 \eta_{e_i} = 0\}} (f(\hat{\eta}^{0, e_i}) - f)$$

is also in T_i^ω . Furthermore, a simple change of variables shows that for any functions $f, g \in E_i$, this modified gradient is symmetric indeed, i.e.

$$\mathbb{E}_{\hat{\alpha}}(f \tilde{\nabla}_i g) = \mathbb{E}_{\hat{\alpha}}(g \tilde{\nabla}_i f).$$

This implies that $T_i^{\omega \perp}$ is invariant by the action of $\tilde{\nabla}_i$, therefore for any function such that $\tilde{\nabla}_i \varphi \in T_i^\omega$, we also have $\varphi \in T_i^\omega$. With that in mind, note that for any function φ , we have the identity

$$\tilde{\nabla}_i \varphi(\hat{\eta}) = \nabla_i \varphi(\hat{\eta}) - \nabla_i \varphi(\hat{\eta}^{0, e_i}).$$

In our case, $\tau_{-x} \mathbf{u}_{i,x}^n = \nabla_{0, e_i} \tau_{-x} \varphi_n$ hence

$$\tilde{\nabla}_i \tau_{-x} \varphi_n = \tau_{-x} \mathbf{u}_{i,x}^n(\eta) - \tau_{-x} \mathbf{u}_{i,x}^n(\hat{\eta}^{0, e_i}).$$

Now since the right-hand side of the identity above is in T_i^ω , we obtain that $\tilde{\nabla}_i \tau_{-x} \varphi_n \in T_i^\omega$, which yields thanks to the observation above $\tau_{-x} \varphi_n \in T_i^\omega$ and $\varphi_n \in T_i^\omega$. We can now use the estimate of the spectral gap obtained in Proposition 5.4, which yields since we assumed that the φ_n 's have mean 0 w.r.t. $\mu_{\hat{\alpha}}$,

$$\mathbb{E}_{\hat{\alpha}}(\varphi_n \mathcal{L}_n \varphi_n) \leq -\frac{C}{n^2} \mathbb{E}_{\hat{\alpha}}(\varphi_n^2)$$

hence

$$\mathbb{E}_{\hat{\alpha}}(\varphi_n^2) \leq C^{-1} n^2 \mathcal{D}_n(\varphi_n),$$

where $\mathcal{D}_n(f) = -\mathbb{E}_{\hat{\alpha}}(f \mathcal{L}_n f)$ is the Dirichlet form relative to the symmetric exclusion process restricted to B_n . Recall from the definition of \mathcal{D}_n that

$$\mathcal{D}_n(\varphi_n) = \frac{1}{2} \sum_{i=1}^2 \sum_{\delta \in \{-1, 1\}} \sum_{x, x+\delta e_i \in B_n} \mathbb{E}_{\hat{\alpha}} [(\nabla_{x, +\delta e_i} \varphi_n)^2].$$

Since $\nabla_{x, x+e_i} \varphi_n = \mathbf{u}_{i,x}^n$ and $\nabla_{x, x-e_i} \varphi_n = -\mathbf{u}_{i, x-e_i}^n(\hat{\eta}^{x, x-e_i})$, Jensen's inequality yields

$$(6.53) \quad \mathcal{D}_n(\varphi_n) = \sum_{i=1}^2 \sum_{x, x+e_i \in B_n} \mathbb{E}_{\hat{\alpha}} [(\mathbf{u}_{i,x}^n)^2] \leq \sum_{i=1}^2 \sum_{x, x+e_i \in B_n} \mathbb{E}_{\hat{\alpha}} [(\mathbf{u}_i)^2] \leq C n^2 \|\mathbf{u}\|_{2, \hat{\alpha}}^2,$$

for some constant C , thanks to a change of variable $\eta \rightarrow \hat{\eta}^{x, x+e_i}$ under which $\mu_{\hat{\alpha}}$ is invariant. We obtain as wanted, thanks to the spectral gap,

$$(6.54) \quad \mathbb{E}_{\hat{\alpha}}(\varphi_n^2) \leq K n^4 \|\mathbf{u}\|_{2, \hat{\alpha}}^2,$$

where K is a constant depending only on $\hat{\alpha}$. □

Second step : Control on the L^2 norm of the boundary terms.

Recall that in order to control the boundary terms, we have to deal with creation and annihilation of particles. We now prove thanks to Lemma 6.19 that the boundary terms are bounded in $L^2(\mu_{\hat{\alpha}})$, which is the main difficulty of the proof of Lemma 6.18.

Lemma 6.20. — *Given the definition in equation (6.52) of both boundary terms $\tilde{R}_{n,i}^-$ and $\tilde{R}_{n,i}^+$, there is a constant $C = C(\hat{\alpha})$, such that uniformly in n*

$$\mathbb{E}_{\hat{\alpha}} \left(\left[\tilde{R}_{n,i}^- \right]^2 \right) \leq C \|\mathbf{u}\|_{2, \hat{\alpha}}^2 \quad \text{and} \quad \mathbb{E}_{\hat{\alpha}} \left(\left[\tilde{R}_{n,i}^+ \right]^2 \right) \leq C \|\mathbf{u}\|_{2, \hat{\alpha}}^2.$$

Proof of Lemma 6.20. — We will treat in full detail only the case of the negative boundary term

$$\tilde{R}_{n,i}^- = \frac{1}{(2n)^2} \sum_{\substack{x_i = -n-1 \\ |x_j| \leq n, j \neq i}} \tau_{-x} \nabla_{x, x+e_i} \tilde{\varphi}_n,$$

since the positive boundary term is treated in a similar fashion. The elementary inequality

$$(6.55) \quad \left(\sum_{i=1}^n a_i \right)^2 \leq n \sum_{i=1}^n a_i^2,$$

yields

$$\mathbb{E}_{\hat{\alpha}} \left(\left[\tilde{R}_{n,i}^- \right]^2 \right) \leq \frac{2n}{(2n)^4} \sum_{\substack{x_i = -n-1 \\ |x_j| \leq n, j \neq i}} \mathbb{E}_{\hat{\alpha}} \left((\tau_{-x} \nabla_{x, x+e_i} \tilde{\varphi}_n)^2 \right) = \frac{1}{8n^3} \sum_{\substack{x_i = -n-1 \\ |x_j| \leq n, j \neq i}} \mathbb{E}_{\hat{\alpha}} \left((\nabla_{x, x+e_i} \tilde{\varphi}_n)^2 \right),$$

by translation invariance of $\mu_{\hat{\alpha}}$. At this point, we reduced our control over the boundary term to a sum of L^2 bounds on $\nabla_{x, x+e_i} \tilde{\varphi}_n$, which we wrote explicitly in equation (6.49) for any x in the negative boundary ($x_i = -n-1$, $|x_j| \leq n$),

$$(6.56) \quad \nabla_{x, x+e_i} \tilde{\varphi}_n(\hat{\eta}) = \eta_x (1 - \eta_{x+e_i}) (\tilde{\varphi}_n(\hat{\eta} + \delta_{x+e_i}^\theta) - \tilde{\varphi}_n(\hat{\eta})),$$

where $\hat{\eta} + \delta_{x+e_i}^\theta$ is the configuration equal to $\hat{\eta}$ everywhere except in $x + e_i$, where the site contains a particle with angle θ distributed as $\hat{\alpha}/\alpha$ independently of $\hat{\eta}$. Note that in the expectation $\mathbb{E}_{\hat{\alpha}}$, we will also take the expectation w.r.t. θ , but still denote it by $\mathbb{E}_{\hat{\alpha}}$ for the sake of concision. Since φ_n is independent of $\hat{\eta}_x$ for any x in the negative boundary term, the L^2 norm of the gradient can be rewritten thanks to equation (6.56)

$$\mathbb{E}_{\hat{\alpha}}(\eta_x) \mathbb{E}_{\hat{\alpha}} \left((1 - \eta_{x+e_i}) (\tilde{\varphi}_n(\hat{\eta} + \delta_{x+e_i}^\theta) - \tilde{\varphi}_n(\hat{\eta}))^2 \right) = \alpha \mathbb{E}_{\hat{\alpha}} \left((1 - \eta_{x+e_i}) (\tilde{\varphi}_n(\hat{\eta} + \delta_{x+e_i}^\theta) - \tilde{\varphi}_n(\hat{\eta}))^2 \right),$$

and the L^2 norm of the boundary term can be bounded from above by

$$(6.57) \quad \mathbb{E}_{\hat{\alpha}} \left(\left[\tilde{R}_{n,i}^- \right]^2 \right) \leq \frac{\alpha}{8n^3} \sum_{\substack{x_i = -n-1 \\ |x_j| \leq n, j \neq i}} \mathbb{E}_{\hat{\alpha}} \left((1 - \eta_{x+e_i}) [\tilde{\varphi}_n(\hat{\eta} + \delta_{x+e_i}^\theta) - \tilde{\varphi}_n(\hat{\eta})]^2 \right),$$

where the expectation w.r.t θ is taken under the law $\hat{\alpha}/\alpha$. Thanks to the identity above, and since the number of terms in (6.57) is of order n , Lemma 6.20 follows from Lemma 6.21 below. \square

Lemma 6.21. — *There exists a constant C depending only on $\hat{\alpha}$, such that for any $x \in B_n$ such that $x_i = -n-1$,*

$$\mathbb{E}_{\hat{\alpha}} \left((1 - \eta_{x+e_i}) [\tilde{\varphi}_n(\hat{\eta} + \delta_{x+e_i}^\theta) - \tilde{\varphi}_n(\hat{\eta})]^2 \right) \leq Cn^2 \|\mathbf{u}\|_{2, \hat{\alpha}}^2.$$

Proof of Lemma 6.21. — Let us fix x , $x_i = -n-1$ in the negative boundary. To make the Dirichlet form appear, we are going to force an occupied site in a neighborhood of x , and transform the creation process into a particle transfer. For the sake of clarity, any configuration $\hat{\eta}$ on B_{3n} will be considered as the pair of an interior configuration $\hat{\zeta}$ on B_n (which is hence \mathcal{F}_n -measurable), and an exterior configuration $\hat{\xi}$ on $B_{3n} - B_n$. With the previous notations in mind, and since $\tilde{\varphi}_n = \mathbb{E}(\varphi_{3n} | \mathcal{F}_n)$ we have the following equalities for $\tilde{\varphi}_n(\hat{\zeta} + \delta_{x+e_i}^\theta)$ which appears in (6.57) :

$$\tilde{\varphi}_n(\hat{\zeta} + \delta_{x+e_i}^\theta) = \mathbb{E}_{\hat{\alpha}}(\varphi_{3n} | \mathcal{F}_n)(\hat{\zeta} + \delta_{x+e_i}^\theta) = \mathbb{E}_{\hat{\alpha}}(\varphi_{3n}(\hat{\zeta}', \hat{\xi}) | \hat{\zeta}' = \hat{\zeta} + \delta_{x+e_i}^\theta).$$

where in last term, the expectation is only taken w.r.t $B_{3n} - B_n$.

We compute now $\tilde{\varphi}_n(\hat{\zeta} + \delta_{x+e_i}^\theta) - \tilde{\varphi}_n(\hat{\zeta})$. For any $y \in B_{3n} - B_n$, we rewrite using the identity $(1 - \alpha)^{-1}[1 - \xi + \xi - \alpha] = 1$

$$\tilde{\varphi}_n(\hat{\zeta} + \delta_{x+e_i}^\theta) = \frac{1}{1 - \alpha} \left(\mathbb{E}_{\hat{\alpha}}((1 - \xi_y)\varphi_{3n} | \mathcal{F}_n) + \mathbb{E}_{\hat{\alpha}}((\xi_y - \alpha)\varphi_{3n} | \mathcal{F}_n) \right) (\hat{\zeta} + \delta_{x+e_i}^\theta),$$

where ξ_y is the occupation variable in y , and is either 1 or 0 depending on whether the site y is empty or not.

The first part of this decomposition will be controlled by the Dirichlet form, as the existence of an empty site in y (thanks to $1 - \xi_y$) will allow us to reconstruct a particle transfer from y to $x + e_i$. The second term will be estimated after a spatial averaging over a large microscopic box. This box must be

measurable with respect to the spins in $B_{3n} - B_n$, in order to be able to introduce it inside the expectation. For any x in the negative boundary, consider the set

$$B_{n-1,i}^x = x - ne_i + B_{n-1},$$

which is the box of radius $n - 1$ centered in $x - ne_i$. Remark that the cardinal of $B_{n-1,i}^x$ is $(2n - 1)^2$, so that averaging the previous identity over the y 's in $B_{n-1,i}^x$ allows us to write

(6.58)

$$\tilde{\varphi}_n(\hat{\zeta} + \delta_{x+e_i}^\theta) = \frac{1}{(2n-1)^2} \sum_{y \in B_{n-1,i}^x} \left(\mathbb{E}_{\hat{\alpha}} \left(\frac{1-\xi_y}{1-\alpha} \varphi_{3n} \mid \mathcal{F}_n \right) + \mathbb{E}_{\hat{\alpha}} \left(\frac{\xi_y - \alpha}{1-\alpha} \varphi_{3n} \mid \mathcal{F}_n \right) \right) (\hat{\zeta} + \delta_{x+e_i}^\theta).$$

Let us consider the first term of the previous equality. For any y in the boundary, thanks to the factor $1 - \xi_y$ the site y is empty. By the change of variable $\hat{\xi} \rightarrow \hat{\xi} - \delta_y$ where $\hat{\xi} - \delta_y$ is the configuration identical to $\hat{\xi}$ everywhere except in y where the site is now empty, so that

$$\begin{aligned} \mathbb{E}_{\hat{\alpha}} \left(\frac{1-\xi_y}{1-\alpha} \varphi_{3n} \mid \mathcal{F}_n \right) (\hat{\zeta} + \delta_{x+e_i}^\theta) &= \mathbb{E}_{\hat{\alpha}} \left(\frac{\xi_y}{\alpha} \varphi_{3n}(\hat{\xi} - \delta_y) \mid \mathcal{F}_n \right) (\hat{\zeta} + \delta_{x+e_i}^\theta) \\ &= \mathbb{E}_{\hat{\alpha}} \left(\frac{\xi_y}{\alpha} [\varphi_{3n}(\hat{\zeta} + \delta_{x+e_i}^\theta, \hat{\xi} - \delta_y) - \varphi_{3n}(\hat{\zeta}, \hat{\xi})] \mid \mathcal{F}_n \right) + \mathbb{E}_{\hat{\alpha}} \left(\frac{\xi_y}{\alpha} \varphi_{3n}(\hat{\zeta}, \hat{\xi}) \mid \mathcal{F}_n \right). \end{aligned}$$

We deduce from the last identity and equation (6.58) that we can write $\tilde{\varphi}_n(\hat{\zeta} + \delta_{x+e_i}^\theta)$ as

$$\begin{aligned} \tilde{\varphi}_n(\hat{\zeta} + \delta_{x+e_i}^\theta) &= \frac{1}{(2n-1)^2} \sum_{y \in B_{n-1,i}^x} \left[\mathbb{E}_{\hat{\alpha}} \left(\frac{\xi_y}{\alpha} [\varphi_{3n}(\hat{\zeta} + \delta_{x+e_i}^\theta, \hat{\xi} - \delta_y) - \varphi_{3n}(\hat{\zeta}, \hat{\xi})] \mid \mathcal{F}_n \right) \right. \\ &\quad \left. + \mathbb{E}_{\hat{\alpha}} \left(\varphi_{3n}(\hat{\zeta}, \hat{\xi}) \mid \mathcal{F}_n \right) + \mathbb{E}_{\hat{\alpha}} \left(\frac{\xi_y - \alpha}{1-\alpha} \varphi_{3n}(\hat{\zeta} + \delta_{x+e_i}^\theta, \hat{\xi}) \mid \mathcal{F}_n \right) \right]. \end{aligned}$$

We are therefore able to rewrite the difference $\tilde{\varphi}_n(\hat{\zeta} + \delta_{x+e_i}^\theta) - \tilde{\varphi}_n(\hat{\zeta})$ as

(6.59)

$$\begin{aligned} \tilde{\varphi}_n(\hat{\zeta} + \delta_{x+e_i}^\theta) - \tilde{\varphi}_n(\hat{\zeta}) &= \frac{1}{(2n-1)^2} \sum_{y \in B_{n-1,i}^x} \left[\mathbb{E}_{\hat{\alpha}} \left(\frac{\xi_y}{\alpha} [\varphi_{3n}(\hat{\zeta} + \delta_{x+e_i}^\theta, \hat{\xi} - \delta_y) - \varphi_{3n}(\hat{\zeta}, \hat{\xi})] \mid \mathcal{F}_n \right) \right. \\ &\quad \left. + \mathbb{E}_{\hat{\alpha}} \left(\frac{\xi_y - \alpha}{\alpha} \varphi_{3n}(\hat{\zeta}, \hat{\xi}) \mid \mathcal{F}_n \right) + \mathbb{E}_{\hat{\alpha}} \left(\frac{\xi_y - \alpha}{1-\alpha} \varphi_{3n}(\hat{\zeta} + \delta_{x+e_i}^\theta, \hat{\xi}) \mid \mathcal{F}_n \right) \right]. \end{aligned}$$

using the elementary bound (6.55) as well as Jensen's inequality yields

$$\begin{aligned} &\mathbb{E}_{\hat{\alpha}} \left((1 - \eta_{x+e_i}) (\tilde{\varphi}_n(\hat{\eta} + \delta_{x+e_i}^\theta) - \tilde{\varphi}_n(\hat{\eta}))^2 \right) \\ &\leq \frac{3}{(2n-1)^2} \left[\sum_{y \in B_{n-1,i}^x} \mathbb{E}_{\hat{\alpha}} \left(\frac{\eta_y (1 - \eta_{x+e_i})}{\alpha^2} [\varphi_{3n}(\hat{\eta} + \delta_{x+e_i}^\theta - \delta_y) - \varphi_{3n}(\hat{\eta})]^2 \right) \right] \\ &\quad + 3 \mathbb{E}_{\hat{\alpha}} \left(\mathbb{E}_{\hat{\alpha}} \left(\left(\frac{1}{(2n-1)^2} \sum_{y \in B_{n-1,i}^x} \frac{\eta_y - \alpha}{\alpha} \varphi_{3n} \mid \mathcal{F}_n \right)^2 \right) \right) \\ &\quad + 3 \mathbb{E}_{\hat{\alpha}} \left(\mathbb{E}_{\hat{\alpha}} \left(\left(\frac{(1 - \eta_{x+e_i})}{(2n-1)^2} \sum_{y \in B_{n-1,i}^x} \frac{\eta_y - \alpha}{1-\alpha} \varphi_{3n}(\hat{\eta} + \delta_{x+e_i}^\theta) \mid \mathcal{F}_n \right)^2 \right) \right). \end{aligned} \tag{6.60}$$

From now on, the strategy to prove Lemma 6.21 is straightforward. We are going to prove that each of the three terms in the right-hand side above is of order n^2 :

— The second and third line above are controlled thanks to the spatial averaging by the L^2 norm of the φ_n 's.

— In the first line, the angle of the particle deleted in y is not necessarily the same as the one of the particle created in $x + e_i$, because the angle θ above is distributed according to $\hat{\alpha}/\alpha$ and independent of the configuration. However, since the φ_n are in T_0^ω their dependence in the angles can be sharply estimated. Once this difficulty is dealt with, the remaining quantity will be controlled by the Dirichlet form.

We first treat the first step above. Thanks to the Cauchy-Schwarz inequality, we can estimate the second line

$$\begin{aligned} \mathbb{E}_{\hat{\alpha}} \left(\mathbb{E}_{\hat{\alpha}} \left(\left(\frac{1}{(2n-1)^2} \sum_{y \in B_{n-1,i}^x} \frac{\eta_y - \alpha}{\alpha} \right) \varphi_{3n} \middle| \mathcal{F}_n \right)^2 \right) \\ \leq \frac{1}{\alpha^2} \mathbb{E}_{\hat{\alpha}} \left(\left(\frac{1}{(2n-1)^2} \sum_{y \in B_{n-1,i}^x} \eta_y - \alpha \right)^2 \right) \mathbb{E}_{\hat{\alpha}} (\varphi_{3n}^2) \\ = \frac{\text{Var}_{\hat{\alpha}}(\eta_0)}{\alpha^2 (2n-1)^2} \mathbb{E}_{\hat{\alpha}} (\varphi_{3n}^2), \end{aligned}$$

since under $\mu_{\hat{\alpha}}$, the η_y 's are i.i.d. variables. We can now use the bound obtained in Lemma 6.19, which yields that for some constant $C_1 = C_1(\hat{\alpha})$,

$$(6.61) \quad \mathbb{E}_{\hat{\alpha}} \left(\mathbb{E}_{\hat{\alpha}} \left(\left(\frac{1}{(2n-1)^2} \sum_{y \in B_{n-1,i}^x} \eta_y - \alpha \right) \varphi_{3n} \middle| \mathcal{F}_n \right)^2 \right) \leq C_1 n^2 \|\mathbf{u}\|_{2,\hat{\alpha}}^2.$$

We obtain in the exact same fashion, since

$$\mathbb{E}_{\hat{\alpha}} \left((1 - \eta_{x+e_i}) \varphi_{3n} (\hat{\eta} + \delta_{x+e_i}^\theta)^2 \right) = \mathbb{E}_{\hat{\alpha}} (\eta_{x+e_i} \varphi_{3n}^2) \leq \mathbb{E}_{\hat{\alpha}} (\varphi_{3n}^2),$$

that

$$(6.62) \quad \mathbb{E}_{\hat{\alpha}} \left(\mathbb{E}_{\hat{\alpha}} \left(\left(\frac{1}{(2n-1)^2} \sum_{y \in B_{n-1,i}^x} \eta_y - \alpha \right) (1 - \eta_{x+e_i}) \varphi_{3n} (\hat{\eta} + \delta_{x+e_i}^\theta) \middle| \mathcal{F}_n \right)^2 \right) \leq C_2 n^2 \|\mathbf{u}\|_{2,\hat{\alpha}}^2$$

We now turn to the second step, and obtain an estimate on the first line of the right-hand side of (6.60), namely

$$(6.63) \quad \frac{1}{(2n-1)^2} \sum_{y \in B_{n-1,i}^x} \mathbb{E}_{\hat{\alpha}} \left(\frac{\eta_y (1 - \eta_{x+e_i})}{\alpha^2} [\varphi_{3n} (\hat{\eta} + \delta_{x+e_i}^\theta - \delta_y) - \varphi_{3n} (\hat{\eta})]^2 \right).$$

We first deal with the fact that the deleted and created particles do not have the same angle. Recall that $\hat{\eta}^{y,\theta}$ is the configuration where the angle of the particle at the site y has been set to θ , we can thus write

$$\hat{\eta} + \delta_{x+e_i}^\theta - \delta_y = (\hat{\eta}^{y,\theta})^{y,x+e_i},$$

therefore

$$(\varphi_{3n} (\hat{\eta} + \delta_{x+e_i}^\theta - \delta_y) - \varphi_{3n} (\hat{\eta}))^2 \leq 2 \left[\varphi_{3n} \left((\hat{\eta}^{y,\theta})^{y,x+e_i} \right) - \varphi_{3n} (\hat{\eta}^{y,\theta}) \right]^2 + 2 \left[\varphi_{3n} (\hat{\eta}^{y,\theta}) - \varphi_{3n} (\hat{\eta}) \right]^2,$$

Since θ is distributed according to $\hat{\alpha}/\alpha$, $\hat{\eta}^{y,\theta}$ has the same distribution as $\hat{\eta}$ under $\mu_{\hat{\alpha}}$, and we can therefore control (6.63) by

$$(6.64) \quad \frac{2}{\alpha^2 (2n-1)^2} \sum_{y \in B_{n-1,i}^x} \left[\mathbb{E}_{\hat{\alpha}} \left(\eta_y (1 - \eta_{x+e_i}) [\varphi_{3n} (\hat{\eta}^{y,x+e_i}) - \varphi_{3n} (\hat{\eta})]^2 \right) + \mathbb{E}_{\hat{\alpha}} \left(\eta_y [\varphi_{3n} (\hat{\eta}^{y,\theta}) - \varphi_{3n} (\hat{\eta})]^2 \right) \right].$$

Once again, we are going to prove that the contributions of both terms in the right-hand side above are of order n^2 .

We first need to decompose, as in the proof of the two-block estimate of Lemma 4.4, the particle jumps appearing in the first term into nearest neighbor jumps. More precisely, there exists a finite family x_0, \dots, x_p such that $x_0 = y$, $x_p = x$ and for any $k \in \llbracket 0, p-1 \rrbracket$, $|x_k - x_{k+1}| = 1$. Furthermore, we can safely assume that $p = |y - x|$. With this construction, for any $y \in B_{n-1, i}^x$, we can write

$$(6.65) \quad \begin{aligned} & \mathbb{E}_{\hat{\alpha}} \left[\eta_y (1 - \eta_{x+e_i}) \left(\varphi_{3n}(\hat{\eta}^{y, x+e_i}) - \varphi_{3n}(\hat{\eta}) \right)^2 \right] \\ & \leq |y - x| \sum_{k=1}^{|y-x|} \mathbb{E}_{\hat{\alpha}} \left[\eta_{x_k} (1 - \eta_{x_{k+1}}) \left(\varphi_{3n}(\hat{\eta}^{x_k, x_{k+1}}) - \varphi_{3n}(\hat{\eta}) \right)^2 \right] \\ & \leq |y - x| \sum_{k=1}^{|y-x|} \mathbb{E}_{\hat{\alpha}} \left([\nabla_{x_k, x_{k+1}} \varphi_{3n}(\hat{\eta})]^2 \right), \end{aligned}$$

since $(\sum_{k=1}^p a_k)^2 \leq p \sum_{k=1}^p a_k^2$. Furthermore, by definition of φ_{3n} , assume that $x_{k+1} = x_k + e_j$ in which case $\nabla_{x_k, x_{k+1}} \varphi_{3n}(\hat{\eta}) = \mathbf{u}_{x_k, j}^{3n}$, we obtain by Jensen's Inequality that

$$\mathbb{E}_{\hat{\alpha}} \left([\nabla_{x_k, x_{k+1}} \varphi_{3n}(\hat{\eta})]^2 \right) \leq \mathbb{E}_{\hat{\alpha}} \left(\tau_{x_k}(\mathbf{u}_j)^2 \right) \leq \|\mathbf{u}\|_{2, \hat{\alpha}}^2.$$

The same bound holds if $x_{k+1} = x_k - e_j$ for some j , and we can finally rewrite (6.65) as

$$\mathbb{E}_{\hat{\alpha}} \left[\eta_y (1 - \eta_{x+e_i}) \left(\varphi_{3n}(\hat{\eta}^{y, x+e_i}) - \varphi_{3n}(\hat{\eta}) \right)^2 \right] \leq |y - x| \sum_{k=1}^{|y-x|} \|\mathbf{u}\|_{2, \hat{\alpha}}^2 = |y - x|^2 \|\mathbf{u}\|_{2, \hat{\alpha}}^2.$$

We now get back to the first term in (6.64). It is not hard to see that $\sum_{y \in B_{n-1, i}^x} |y - x|^2$ is of order n^4 , and we obtain as wanted that for some constant C_3 depending only on $\hat{\alpha}$,

$$(6.66) \quad \frac{2}{\alpha^2 (2n-1)^2} \sum_{y \in B_{n-1, i}^x} \mathbb{E}_{\hat{\alpha}} \left(\eta_y (1 - \eta_{x+e_i}) \left[\varphi_{3n}(\hat{\eta}^{y, x+e_i}) - \varphi_{3n}(\hat{\eta}) \right]^2 \right) \leq C_3 n^2 \|\mathbf{u}\|_{2, \hat{\alpha}}^2.$$

We now estimate the second contribution in (6.64). The only difference between $\varphi_{3n}(\hat{\eta}^{y, \theta})$ and $\varphi_{3n}(\hat{\eta})$ is the angle of the particle at site y . We proved along with Lemma 6.19 that $\varphi_n \in T_i^\omega$, therefore the variation of φ_n when an angle is changed can be precisely estimated. For the sake of simplicity, we assume that φ_n is in the set T_0^ω we defined in (5.4), but if it is not the case, the estimate we are going to obtain still holds, once φ_n is replaced by a sequence in T_0^ω which converges towards φ_n . If $\varphi_n \in T_0^\omega$, for any n , there exists two constants $a_{1, n}$ and $a_{2, n}$, a family of angle-blind functions $(\psi_{n, x})_{x \in \mathbb{Z}^2}$, and an angle-blind function $\psi_n^* \in \mathcal{S}$, such that

$$\varphi_{3n} = \psi_n^* + \sum_{x \in \mathbb{Z}^2} (a_{1, n} \eta_x + a_{2, n} \eta_x^\omega) \psi_{n, x}.$$

Since the only difference between $\hat{\eta}^{y, \theta}$ and $\hat{\eta}$ is in the angle present at the site y , we can write

$$\varphi_{3n}(\hat{\eta}^{y, \theta}) - \varphi_{3n}(\hat{\eta}) = a_{2, n} (\omega(\theta) - \omega(\theta_y)) \eta_y \psi_{n, y}(\eta),$$

therefore the second line in (6.64) can be rewritten

$$(6.67) \quad \frac{2}{\alpha^2 (2n-1)^2} \sum_{y \in B_{n-1, i}^x} \mathbb{E}_{\hat{\alpha}} \left(\eta_y (\omega(\theta) - \omega(\theta_y))^2 \psi_{n, y}^2 \right) \leq \frac{4a_{2, n} \text{Var}_{\hat{\alpha}}(\omega)}{\alpha^2 (2n-1)^2} \sum_{y \in \mathbb{Z}^2} \mathbb{E}_{\hat{\alpha}} \left(\eta_y \psi_{n, y}^2 \right),$$

where we shortened $\text{Var}_{\hat{\alpha}}(\omega) = \text{Var}_{\hat{\alpha}}(\omega(\theta_0))$, since the angles are independent of the configuration conditionally to the presence of a particle. Recall from Section 5.2 that we can write

$$\varphi_n = \varphi_n^{sb} + \varphi_n^\omega,$$

where

$$\varphi_n^{sb} = \psi_n^* + \sum_{x \in \mathbb{Z}^2} b_{1, n} \eta_x \psi_{n, x} \quad \text{and} \quad \varphi_n^\omega = \sum_{x \in \mathbb{Z}^2} a_{2, n} (\omega(\theta_x) - \mathbb{E}_{\hat{\alpha}}(\omega)) \eta_x \psi_{n, x},$$

where $b_{1, n} = a_{1, n} + \mathbb{E}_{\hat{\alpha}}(\omega)$ and $\mathbb{E}_{\hat{\alpha}}(\omega)$ stands for $\mathbb{E}_{\hat{\alpha}}(\omega(\theta_0))$. Furthermore, one obtains

$$\mathbb{E}_{\hat{\alpha}}(\varphi_n^2) = \mathbb{E}_{\hat{\alpha}}((\varphi_n^{sb})^2) + \mathbb{E}_{\hat{\alpha}}((\varphi_n^\omega)^2),$$

as well as

$$\mathbb{E}_{\hat{\alpha}}((\varphi_n^\omega)^2) = a_{2,n} \text{Var}_{\hat{\alpha}}(\omega) \sum_{x \in \mathbb{Z}^2} \mathbb{E}_{\hat{\alpha}}(\eta_x \psi_{n,x}^2).$$

The two previous identities finally yield that

$$a_{2,n} \text{Var}_{\hat{\alpha}}(\theta_0) \sum_{x \in \mathbb{Z}^2} \mathbb{E}_{\hat{\alpha}}(\eta_x \psi_{n,x}^2) \leq \mathbb{E}_{\hat{\alpha}}(\varphi_n^2).$$

We now use the previous identity as well as (6.67) and Lemma 6.19 to obtain that for some constant C_4 depending only on $\hat{\alpha}$

$$(6.68) \quad \frac{2}{\hat{\alpha}^2(2n-1)^2} \sum_{y \in B_{n-1,i}^x} \mathbb{E}_{\hat{\alpha}} \left(\eta_y [\varphi_{3n}(\hat{\eta}^{y,\theta}) - \varphi_{3n}(\hat{\eta})]^2 \right) \leq C_4 n^2 \|\mathbf{u}\|_{2,\hat{\alpha}}^2.$$

This is the estimate we wanted for the second line of (6.64).

Letting $C = 3(C_1 + C_2 + C_3 + C_4)$, we now use the four bounds (6.61), (6.62), (6.66) and (6.68) in equation (6.60), to obtain that

$$\mathbb{E}_{\hat{\alpha}} \left((1 - \eta_{x+e_i}) (\tilde{\varphi}_n(\hat{\eta} + \delta_{x+e_i}^\theta) - \tilde{\varphi}_n(\hat{\eta}))^2 \right) \leq C n^2 \|\mathbf{u}\|_{2,\hat{\alpha}}^2$$

as wanted, which concludes the proof of Lemma 6.21. \square

We have now finished the second step, and proven that the boundary terms $(\tilde{R}_{n,i}^+)_{n \in \mathbb{N}}$ and $(\tilde{R}_{n,i}^-)_{n \in \mathbb{N}}$ are bounded in $L^2(\mu_{\hat{\alpha}})$. To conclude the proof of Lemma 6.18 we still have to prove that all limiting points \mathfrak{R}_i^- of $(\tilde{R}_{n,i}^-)$ are in the linear span of the currents. The main difficulty is to prove that any limit point only depends on $\hat{\eta}_0$ and $\hat{\eta}_{e_i}$, which we state as a separate lemma.

Third step : Proof that \mathfrak{R}_i^- only depends on $\hat{\eta}$ through $\hat{\eta}_0$ and $\hat{\eta}_{e_i}$

Let us denote

$$\mathbb{Z}_{+,i}^2 = \{x_i > 0\} \cap \mathbb{Z}^2 \setminus \{e_i\},$$

we first prove the following intermediate result.

Lemma 6.22. — *Any weak limit point \mathfrak{R}_i^- of the sequence $(\tilde{R}_{n,i}^-)$ is measurable w.r.t. the sites in $\mathbb{Z}^2 \cap \{x_i > 0\} \cup \{0\}$. Furthermore, for any edge $(z, z \pm e_j)$ with both ends in the set $\mathbb{Z}_{+,i}^2$, the gradient $\nabla_{z, z \pm e_j} \mathfrak{R}_i^-$ vanishes in $L^2(\mu_{\hat{\alpha}})$.*

Proof of Lemma 6.22. — In order to avoid taking subsequences, let us also assume that $(\tilde{R}_{n,i}^-)$ weakly converges towards \mathfrak{R}_i^- . We first prove the first statement, which is elementary. For any x in the boundary, $\tau_{-x} \tilde{\varphi}_n$ is measurable with respect to the half plane $\{x_i > 0\}$, therefore $\nabla_{0,e_i} \tau_{-x} \tilde{\varphi}_n$ is measurable with respect to the sites in $\{x_i > 0\} \cup \{0\}$. We deduce from the last remark that for any n , $\tilde{R}_{n,i}^-$ is measurable for any n w.r.t. the sites in $\{x_i > 0\} \cup \{0\}$, therefore \mathfrak{R}_i^- also is.

We now show that for any edge $\{z, z \pm e_j\} \subset \mathbb{Z}_{+,i}^2$, the gradient $\nabla_{z, z \pm e_j} \mathfrak{R}_i^-$ vanishes. Fix an edge $(z, z \pm e_j)$ with both ends in $\mathbb{Z}_{+,i}^2$. We are going to prove that the sequence $(\nabla_{z, z \pm e_j} \tilde{R}_{n,i}^-)_{n \in \mathbb{N}}$ vanishes in $L^2(\mu_{\hat{\alpha}})$. By definition,

$$\begin{aligned} \nabla_{z, z \pm e_j} \tilde{R}_{n,i}^- &= \frac{1}{(2n)^2} \sum_{x_i = -n-1} \nabla_{z, z \pm e_j} \tau_{-x} \nabla_{x, x+e_i} \tilde{\varphi}_n \\ &= \frac{1}{(2n)^2} \sum_{x_i = -n-1} \nabla_{z, z \pm e_j} \nabla_{0, e_i} \tau_{-x} \tilde{\varphi}_n. \end{aligned}$$

Because $z, z + e_j$ are different from 0 and e_i , the two gradients in the formula above commute, therefore using once again $(\sum_{i=1}^n a_i)^2 \leq n \sum_{i=1}^n a_i^2$, as well as the crude bound $\mathbb{E}_{\hat{\alpha}}((\nabla_a f)^2) \leq 4\mathbb{E}_{\hat{\alpha}}(f^2)$, yields

$$\mathbb{E}_{\hat{\alpha}} \left[(\nabla_{z, z \pm e_j} \tilde{R}_{n,i}^-)^2 \right] \leq \frac{2n}{(2n)^4} \sum_{x_i = -n-1} \mathbb{E}_{\hat{\alpha}} \left[(\nabla_{0, e_i} \nabla_{z, z \pm e_j} \tau_{-x} \tilde{\varphi}_n)^2 \right]$$

$$\begin{aligned}
 &\leq \frac{1}{(2n)^3} \sum_{x_i=-n-1} \mathbb{E}_{\hat{\alpha}} [(\nabla_{0,e_i} \tau_{-x} \nabla_{z+x,z+x \pm e_j} \tilde{\varphi}_n)^2] \\
 (6.69) \quad &\leq \frac{4}{(2n)^3} \sum_{x_i=-n-1} \mathbb{E}_{\hat{\alpha}} [(\nabla_{z+x,z+x \pm e_j} \tilde{\varphi}_n)^2].
 \end{aligned}$$

There are three cases to consider to estimate $\mathbb{E}_{\hat{\alpha}} [(\nabla_{z+x,z+x \pm e_j} \tilde{\varphi}_n)^2]$.

(1) The first one is the case where both $x+z$ and $x+z \pm e_j$ are in B_n^c , the complementary set of B_n . In that case,

$$\mathbb{E}_{\hat{\alpha}} [(\nabla_{z+x,z+x \pm e_j} \tilde{\varphi}_n)^2] = 0,$$

because $\tilde{\varphi}_n$ is \mathcal{F}_n -measurable.

(2) The second case when both $x+z$ and $x+z+e_j$ are in B_n . In that case, we can write

$$\begin{aligned}
 \nabla_{z+x,z+x \pm e_j} \tilde{\varphi}_n &= \nabla_{z+x,z+x \pm e_j} \mathbb{E}_{\hat{\alpha}}(\varphi_{3n} \mid \mathcal{F}_n) = \mathbb{E}_{\hat{\alpha}}(\nabla_{z+x,z+x \pm e_j} \varphi_{3n} \mid \mathcal{F}_n) \\
 (6.70) \quad &= \mathbb{E}_{\hat{\alpha}}(\mathbf{u}_{j,z+x} \mid \mathcal{F}_n),
 \end{aligned}$$

therefore Jensen's inequality yields

$$\mathbb{E}_{\hat{\alpha}} [(\nabla_{z+x,z+x \pm e_j} \tilde{\varphi}_n)^2] \leq 4 \|\mathbf{u}\|_{2,\hat{\alpha}}^2.$$

(3) The last case to consider is if $x+z$ and $x+z \pm e_j$ link B_n and B_n^c . Then, an elementary adaptation of Lemma 6.21 yields that

$$\mathbb{E}_{\hat{\alpha}} [(\nabla_{z+x,z+x \pm e_j} \tilde{\varphi}_n)^2] \leq Cn^2 \|\mathbf{u}\|_{2,\hat{\alpha}}^2.$$

We treat separately the two cases for j . Fix an edge $(z, z \pm e_j)$ with both ends in $\mathbb{Z}_{+,i}^2$. If $j=i$, for any n large enough (more precisely as soon as $2n+2 \geq z_i$), for any x such that $x_1 = -n-1$, either $x+z$ and $x+z \pm e_i$ are both in B_n or both are in its complementary set B_n^c . We are therefore either in the first or in the second case above, and since the number of terms in the sum is $O(n)$, equation (6.69) yields

$$\mathbb{E}_{\hat{\alpha}} [(\nabla_{z,z \pm e_j} \tilde{R}_{n,i}^-)^2] \leq \frac{K}{n^2} \|\mathbf{u}\|_{2,\hat{\alpha}}^2 \xrightarrow{n \rightarrow \infty} 0,$$

for some constant K depending only on $\hat{\alpha}$.

If now $j \neq i$, there can be only two terms in the sum over x for which $x+z$ and $x+z \pm e_i$ link B_n and B_n^c (third case above), whereas all the others are either in the first or the second case. We deduce from this that in this case, equation (6.69) yields

$$\mathbb{E}_{\hat{\alpha}} [(\nabla_{z,z \pm e_j} \tilde{R}_{n,i}^-)^2] \leq \frac{K'}{n^2} + \frac{K''n^2}{n^3} \|\mathbf{u}\|_{2,\hat{\alpha}}^2 \xrightarrow{n \rightarrow \infty} 0,$$

where K' and K'' are different constants depending only on $\hat{\alpha}$. This proves that the sequence $(\nabla_{z,z \pm e_j} \tilde{R}_{n,i}^-)_n$ vanishes in $L^2(\mu_{\hat{\alpha}})$ for any edge $(z, z \pm e_j)$ with both ends in $\mathbb{Z}_{+,i}^2$. Since the gradient $\nabla_{z,z \pm e_j}$ is a continuous functional, $\nabla_{z,z \pm e_j} \mathfrak{R}_i^-$ vanishes for any edge $(z, z \pm e_j)$ with both ends in $\mathbb{Z}_{+,i}^2$. This concludes the proof of Lemma 6.22 \square

Lemma 6.23. — Any weak limit point \mathfrak{R}_i^- of the sequence $(\tilde{R}_{n,i}^-)_{n \in \mathbb{N}}$ only depends on the configuration through $\hat{\eta}_0$ and $\hat{\eta}_{e_i}$. The same is true for the limit points of the positive boundary terms $(\tilde{R}_{n,i}^+)_{n \in \mathbb{N}}$.

Proof of Lemma 6.23. — This Lemma is a consequence of Lemma 6.22. Consider the localization $\mathfrak{R}_{i,n}^- = \mathbb{E}_{\hat{\alpha}}(\mathfrak{R}_i^- \mid \mathcal{F}_n)$, then $\mathfrak{R}_{i,n}^-$ also has the two previous properties : the measurability with respect to the sites in $\{x_i > 0\} \cup \{0\}$ is trivial. The fact that its gradient vanish is easily obtained as well, since

$$\nabla_{z,z+e_j} \mathfrak{R}_{i,n}^- = \eta_z(1 - \eta_{z+e_j}) \mathbb{E}_{\hat{\alpha}}(\mathfrak{R}_i^-(\hat{\eta}^{z,z+e_j}) - \mathfrak{R}_i^-(\hat{\eta}) \mid \mathcal{F}_n),$$

which vanishes since $\mathfrak{R}_i^-(\hat{\eta}^{z,z+e_j}) - \mathfrak{R}_i^-(\hat{\eta})$ vanish by assumption as soon as $\eta_z(1 - \eta_{z+e_j}) \neq 0$. Let

$$B_{i,n}^+ = B_n \cap \mathbb{Z}_{+,i}^2,$$

since the gradients of \mathfrak{R}_i^- vanish for any edge in $B_{i,n}^+$, on the event on which there are at least two empty sites in $B_{i,n}^+$, \mathfrak{R}_i^- only depends on the $\widehat{\eta}_x$, $x \in B_{i,n}^+$ through the empirical measure on $B_{i,n}^+$

$$\widehat{\rho}_{B_{i,n}^+} := \frac{1}{|B_{i,n}^+|} \sum_{B_{i,n}^+} \eta_x \delta_{\theta_x}.$$

Indeed, for two configurations $\widehat{\eta}$ and $\widehat{\eta}'$ with the same number of particles, and with the same angles in $B_{i,n}^+$, we can reach one from the other with a combination of the previous gradients, hence the difference $\mathfrak{R}_{i,n}^-(\widehat{\eta}) - \mathfrak{R}_{i,n}^-(\widehat{\eta}')$ vanishes. This is not true whenever there is one or less empty site in $B_{i,n}^+$, but since we are under the product measure, this happens with exponentially small probability and will not be an issue.

Let us denote by E_n^* the event "there are at least two empty sites in $B_{i,n}^+$ ", the previous statement rewrites as

$$\mathfrak{R}_{i,n}^- \mathbb{1}_{E_n^*} = \mathbb{E}_{\widehat{\alpha}} \left(\mathfrak{R}_{i,n}^- \mathbb{1}_{E_n^*} \left| \widehat{\eta}_0, \widehat{\eta}_{e_i}, \widehat{\rho}_{B_{i,n}^+} \right. \right).$$

For any cylinder function f , we are going to prove that $\mathbb{E}_{\widehat{\alpha}}(f \mathfrak{R}_i^-) = \mathbb{E}_{\widehat{\alpha}} [f \cdot \mathbb{E}(\mathfrak{R}_i^- \mid \widehat{\eta}_0, \widehat{\eta}_{e_i})]$. Let

$$f_n = \mathbb{E}(f \mid \widehat{\eta}_x, x \in \{x_i > 0\} \cup \{0\})$$

be the conditional expectation with respect to the sites in $\{x_i > 0\} \cup \{0\}$. Since f is a cylinder function, so is f_n , therefore for any sufficiently large integer n , we can write

$$\begin{aligned} \mathbb{E}_{\widehat{\alpha}}(f \mathfrak{R}_i^- \mathbb{1}_{E_n^*}) &= \mathbb{E}_{\widehat{\alpha}}(f \mathfrak{R}_{i,n}^- \mathbb{1}_{E_n^*}) \\ &= \mathbb{E}_{\widehat{\alpha}} \left(\mathbb{E}_{\widehat{\alpha}} \left(f \mathfrak{R}_{i,n}^- \mathbb{1}_{E_n^*} \left| \widehat{\eta}_0, \widehat{\eta}_{e_i}, \widehat{\rho}_{B_{i,n}^+} \right. \right) \right) \\ &= \mathbb{E}_{\widehat{\alpha}} \left(\mathfrak{R}_{i,n}^- \mathbb{1}_{E_n^*} \mathbb{E}_{\widehat{\alpha}} \left(f \left| \widehat{\eta}_0, \widehat{\eta}_{e_i}, \widehat{\rho}_{B_{i,n}^+} \right. \right) \right) \\ &= \mathbb{E}_{\widehat{\alpha}} \left(\mathfrak{R}_{i,n}^- \mathbb{1}_{E_n^*} \mathbb{E}_{\widehat{\alpha}} \left(f_n \left| \widehat{\eta}_0, \widehat{\eta}_{e_i}, \widehat{\rho}_{B_{i,n}^+} \right. \right) \right) \\ &= \mathbb{E}_{\widehat{\alpha}} \left(\mathfrak{R}_{i,n}^- \mathbb{E}_{\widehat{\alpha}} \left(f_n \left| \widehat{\eta}_0, \widehat{\eta}_{e_i}, \widehat{\rho}_{B_{i,n}^+} \right. \right) \right) + \mathbb{E}_{\widehat{\alpha}} \left(\mathfrak{R}_{i,n}^- \mathbb{1}_{E_n^{*c}} \mathbb{E}_{\widehat{\alpha}} \left(f_n \left| \widehat{\eta}_0, \widehat{\eta}_{e_i}, \widehat{\rho}_{B_{i,n}^+} \right. \right) \right) \\ (6.71) \quad &= \mathbb{E}_{\widehat{\alpha}} \left(\mathfrak{R}_i^- \mathbb{E}_{\widehat{\alpha}} \left(f_n \left| \widehat{\eta}_0, \widehat{\eta}_{e_i} \right. \right) \right) + o_n(1), \end{aligned}$$

since

$$\mathbb{E}_{\widehat{\alpha}} \left(f_n \left| \widehat{\eta}_0, \widehat{\eta}_{e_i}, \widehat{\rho}_{B_{i,n}^+} \right. \right) \xrightarrow[n \rightarrow \infty]{L^2(\mu_{\widehat{\alpha}})} \mathbb{E}_{\widehat{\alpha}} \left(f_n \left| \widehat{\eta}_0, \widehat{\eta}_{e_i} \right. \right),$$

because $\rho_{B_{i,n}^+}$ converges $\mu_{\widehat{\alpha}}$ a.s. as $n \rightarrow \infty$ towards $\widehat{\alpha}$. and

$$\mathbb{E}_{\widehat{\alpha}} \left(\mathfrak{R}_{i,n}^- \mathbb{1}_{E_n^{*c}} \mathbb{E}_{\widehat{\alpha}} \left(f_n \left| \widehat{\eta}_0, \widehat{\eta}_{e_i}, \widehat{\rho}_{B_{i,n}^+} \right. \right) \right) \xrightarrow[n \rightarrow \infty]{} 0,$$

because f_n is a bounded function, and $\mathfrak{R}_{i,n}^-$ is in $L^2(\mu_{\widehat{\alpha}})$. For the same reason, the left-hand side in (6.71) converges as n goes to ∞ towards $\mathbb{E}_{\widehat{\alpha}}(f \mathfrak{R}_i^-)$, and therefore

$$\mathbb{E}_{\widehat{\alpha}} \left(\mathfrak{R}_i^- \mathbb{E}_{\widehat{\alpha}} \left(f_n \left| \widehat{\eta}_0, \widehat{\eta}_{e_i} \right. \right) \right) = \mathbb{E}_{\widehat{\alpha}}(f \mathfrak{R}_i^-) + o_n(1).$$

We finally obtain

$$\mathbb{E}_{\widehat{\alpha}}(f \mathfrak{R}_i^-) = \mathbb{E}_{\widehat{\alpha}} \left(\mathfrak{R}_i^- \mathbb{E}_{\widehat{\alpha}} \left(f_n \left| \widehat{\eta}_0, \widehat{\eta}_{e_i} \right. \right) \right) + o_n(1) = \mathbb{E}_{\widehat{\alpha}} \left(f_n \mathbb{E}_{\widehat{\alpha}} \left(\mathfrak{R}_i^- \left| \widehat{\eta}_0, \widehat{\eta}_{e_i} \right. \right) \right) + o_n(1),$$

from which we deduce what we wanted, since the previous is true for any cylinder function f , i.e. that

$$\mathfrak{R}_i^- = \mathbb{E}_{\widehat{\alpha}} \left(\mathfrak{R}_i^- \left| \widehat{\eta}_0, \widehat{\eta}_{e_i} \right. \right).$$

This concludes the proof of Lemma 6.23. \square

To complete the proof of Lemma 6.18, now that we have proven that all limit points of the boundary terms are function of $\widehat{\eta}_0$ and $\widehat{\eta}_{e_i}$, we still have to show that such limit points can be expressed as linear combination of the currents. To do so, first notice that any limit point of the negative boundary \mathfrak{R}_i^- verifies

$$(6.72) \quad \eta_{e_i} \mathfrak{R}_i^- = (1 - \eta_0) \mathfrak{R}_i^- = 0.$$

Indeed,

$$\eta_{e_i} \mathfrak{R}_i^- = \lim_{n \rightarrow \infty} \frac{1}{(2n)^2} \sum_{\substack{x_i = -n-1 \\ |x_j| \leq n, j \neq i}} \eta_{e_i} \tau_{-x} \nabla_{x, x+e_i} \widetilde{\varphi}_n = \lim_{n \rightarrow \infty} \frac{1}{(2n)^2} \sum_{\substack{x_i = -n-1 \\ |x_j| \leq n, j \neq i}} \eta_{e_i} \nabla_{0, e_i} \tau_{-x} \widetilde{\varphi}_n,$$

since $\tau_x \nabla_a f = \nabla_{\tau_x a} \tau_x f$. Now the latter obviously vanishes since $\eta_{e_i} \nabla_{0, e_i} = 0$. The second identity is proven in the same way.

Since the $\widetilde{\varphi}_n$'s are in T_0^ω , \mathfrak{R}_i^- also is, and can therefore be expressed as

$$\mathfrak{R}_i^-(\widehat{\eta}) = \sum_x (c_1 \eta_x^\omega + c_2 \eta_x) \psi_x(\eta).$$

Injecting in this identity that \mathfrak{R}_i^- only depends on $\widehat{\eta}_0$ and $\widehat{\eta}_{e_i}$ yields $\psi_x = 0$ for any $x \neq 0, e_i$. Furthermore, since $\eta_{e_i} \mathfrak{R}_i^-$ vanishes, we also obtain that $\psi_{e_i} = 0$. Finally, we can write

$$\mathfrak{R}_i^-(\widehat{\eta}) = (c_1 \eta_0^\omega + c_2 \eta_0) \psi_0(\eta_0, \eta_{e_i}).$$

Since we must also have

$$\eta_{e_i} \psi_0(\eta_0, \eta_{e_i}) = (1 - \eta_0) \psi_0(\eta_0, \eta_{e_i}) = 0,$$

we obtain that $\psi_0(\eta_0, \eta_{e_i})$ is proportional to $\eta_0(1 - \eta_{e_i})$, and finally,

$$\mathfrak{R}_i^-(\widehat{\eta}) = (c_1 \eta_0^\omega + c_2 \eta_0) (1 - \eta_{e_i}).$$

The previous equation states that the limiting boundary terms are in \mathfrak{F}^ω , which is what we wanted to show. The proof of Lemma 6.18 is thus complete. \square

6.7. Space-time covariance limit. — *In Section 6.5, we reduced our problem to a local covariance problem. The first part of this section introduces several notations as well as the limiting covariance $\ll \cdot \gg_{\widehat{\alpha}}$ which is the focus of the next section. Although it does not constitute a proof, the second part of this section provides some heuristic insight on the correspondence between closed forms and functions in \mathcal{C}_0 , as well as on the definition of $\ll \cdot \gg_{\widehat{\alpha}}$. We will also use this section to introduce several notations that will be useful later.*

In Section 6.5 we reduced the proof of equation (6.7) to proving Proposition 6.7, i.e. that

$$\inf_f \lim_{p \rightarrow \infty} \limsup_{l \rightarrow \infty} \sup_{\widehat{K} \in \widehat{\mathbb{K}}_l} (2l+1)^2 \mathbb{E}_{l, \widehat{K}} (\mathcal{W}_i^l (-\mathcal{L}_l)^{-1} \mathcal{W}_i^l) = 0,$$

where

$$\mathcal{W}_i^l = \langle j_i^\omega \rangle_0^{l'} + d_s(\rho_l) \delta_i \rho_{l_p}^{\omega, p} + \mathfrak{d}(\rho_l, \rho_l^\omega) \delta_i \rho_{l'} - \langle \mathcal{L}f \rangle_0^{l_f}$$

is the local average of the difference between gradients and currents, \mathfrak{d} is given by (2.12), \mathcal{L}_l is the symmetric exclusion generator restricted to B_l ,

$$(6.73) \quad \delta_i h = \tau_{e_i} h - h$$

is the discrete derivative in the direction e_i , and $\widehat{\mathbb{K}}_l$ was defined in (3.2) and only takes into account configurations with at least two empty sites.

To prove Proposition 6.7, we are now going to investigate the limit as $l \rightarrow \infty$ and $\widehat{\alpha}_{\widehat{K}_l} \rightarrow \widehat{\alpha}$ (cf Definition 3.2) of

$$(6.74) \quad \frac{1}{(2l+1)^2} \mathbb{E}_{l, \widehat{K}_l} \left(\mathcal{L}_l^{-1} \sum_{x \in B_{l_\psi}} \tau_x \psi \cdot \sum_{x \in B_{l_\psi}} \tau_x \psi \right) := \ll \psi \gg_{\widehat{\alpha}},$$

where ψ is supported by B_{d_ψ} and $l_\psi = l - d_\psi - 1$ is chosen such that $\sum_{x \in B_{l_\psi}} \tau_x \psi$ is measurable w.r.t. sites in B_l . There are therefore two important steps to prove (6.37) :

- Prove that the limit (6.74) is well-defined for any function ψ in a convenient class of functions containing at least the currents, the gradients and the functions of the type $\mathcal{L}f$.
- Prove that, letting

$$(6.75) \quad \mathfrak{d}(\hat{\alpha}) = \frac{\mathbb{E}_{\hat{\alpha}}(\eta_0^\omega)}{\alpha} (1 - d_s(\alpha)),$$

we have

$$(6.76) \quad \inf_f \sup_{\hat{\alpha}} \ll j_i^\omega + d_s(\alpha) \delta_i(\eta_0^\omega \mathbb{1}_{E_p}) + \mathfrak{d}(\hat{\alpha}) \delta_i \eta_0 - \mathcal{L}f \gg_{\hat{\alpha}} = 0.$$

where the infimum is taken w.r.t. local functions with mean 0 w.r.t. all canonical measures.

Introduction of the limiting covariance. — In order to properly introduce the limiting covariance $\ll \cdot \gg_{\hat{\alpha}}$, which we are going to define by a variational formula, let us recall some notations and introduce some others. Recall from equation (5.1) that we denote by \mathcal{C}_0 , the space of cylinder functions with mean zero w.r.t. every canonical measure and vanishing for any configuration with strictly less than two empty sites in their support, and by

$$T_0^\omega = \left\{ \sum_{x \in \mathbb{T}_N^2} (c_1 \eta_x^\omega + c_2 \eta_x) \psi_x(\eta), \quad c_1, c_2 \in \mathbb{R}, \text{ and } \psi_x \in \mathcal{S} \forall x \in \mathbb{T}_N^2 \right\}.$$

Furthermore, we introduce

$$(6.77) \quad \mathcal{T}_0^\omega = T_0^\omega \cap \mathcal{C}_0.$$

Note in particular that these three sets are stable by the symmetric exclusion generator \mathcal{L} . This is trivial, since \mathcal{L} does not introduce correlations between angles.

For $i = 1, 2$, and $x \in \mathbb{T}_N^2$, $j_{x, x+e_i}^\omega$ is the instantaneous symmetric currents with angle dependency ω along the edge $(x, x + e_i)$ introduced in equation (2.17), where we want to replace the current

$$j_i^\omega = \eta_0^\omega (1 - \eta_{e_i}) - \eta_{e_i}^\omega (1 - \eta_0)$$

by the gradient quantity

$$\mathfrak{d}^\omega(\eta_{e_i}^\omega - \eta_0^\omega) + \mathfrak{d}(\eta_{e_i} - \eta_0).$$

Let j^ω and j denote the two-dimensional random vectors

$$j^\omega = (j_1^\omega, j_2^\omega) \quad \text{and} \quad j = (j_1, j_2),$$

where $j_i = \eta_0 - \eta_{e_i}$ is the total current along the edge $(0, e_i)$. Finally, for any $a = (a_1, a_2)$ and $b = (b_1, b_2) \in \mathbb{R}^2$, we will write

$$(6.78) \quad j^{a,b} = a \cdot j^\omega + b \cdot j \in \mathcal{J}^\omega,$$

where " \cdot " is the usual scalar product in \mathbb{R}^2 and \mathcal{J}^ω is the linear span of the currents already introduced in equation (5.2). We introduce analogous notations for germs of closed forms, and let

$$(6.79) \quad \mathfrak{j}^{a,b} = \sum_{i=1}^2 a_i \mathfrak{j}^{i,\omega} + b_i \mathfrak{j}^i \in \mathfrak{F}^\omega,$$

where \mathfrak{j}^i and $\mathfrak{j}^{i,\omega}$ were introduced in (6.43), (6.44) and (6.46).

For $g \in \mathcal{C}_0$, recall that Σ_g is the formal sum $\Sigma_g = \sum_{x \in \mathbb{Z}^2} \tau_x g$. This formal function's gradient along any particle jump is well-defined, as well as its expectation against any cylinder (therefore local) function in \mathcal{C}_0 . Finally, recall that $\nabla_i = \nabla_{0, e_i}$ stands for the derivative in the direction e_i in the sense of equation (3.4),

$$\nabla_i f(\hat{\eta}) = \eta_0 (1 - \eta_{e_i}) (f(\hat{\eta}^{0, e_i}) - f(\hat{\eta})),$$

we denote by $\nabla f = (\nabla_1 f, \nabla_2 f)$ the two dimensional gradient vector of f .

We now have all the notations needed to introduce the limiting covariance $\ll \cdot \gg_{\hat{\alpha}}$.

Definition 6.24 (Definition of $\ll \cdot \gg_{\hat{\alpha}}$). — Let $\hat{\alpha} \in \mathcal{M}_1(\mathbb{S})$ be an angle measure, and consider $f \in \mathcal{C}_0$, where \mathcal{C}_0 was defined in (5.1). In particular, f is a local function, and has mean 0 w.r.t. any grand canonical measure $\mu_{\hat{\alpha}}$, and we can define

$$(6.80) \quad \ll f \gg_{\hat{\alpha}} = \sup_{\substack{g \in \mathcal{T}_0^\omega \\ a, b \in \mathbb{R}^2}} \left\{ 2\mathbb{E}_{\hat{\alpha}} \left(f \cdot \left[\Sigma_g + \sum_{y \in \mathbb{Z}^2} (y \cdot a) \eta_y^\omega + (y \cdot b) \eta_y \right] \right) - \left\| \nabla \Sigma_g + \mathbf{j}^{a,b} \right\|_{2, \hat{\alpha}}^2 \right\},$$

where $\|\cdot\|_{2, \hat{\alpha}}$ is the norm with which we provided the space of germs of closed forms (cf. Definition 6.11).

For any cylinder function ψ , recall that s_ψ is the smallest fixed integer such that ψ is measurable with respect to \mathcal{F}_{s_ψ} , and let $l_\psi = l - d_\psi - 1$ for any integer l large enough. The following result states that the quantity $\ll \cdot \gg_{\hat{\alpha}}$ introduced in the previous Definition 6.24 is indeed the limit of (6.74) for any function $\psi \in \mathcal{T}_0^\omega$.

Theorem 6.25. — Consider $\hat{\alpha} \in \mathcal{M}_1(\mathbb{S})$, and a sequence $(\hat{K}_l)_{l \in \mathbb{N}}$ such that $\hat{K}_l \in \mathbb{K}_l$ and $\left\| \hat{\alpha}_{\hat{K}_l} - \hat{\alpha} \right\| \rightarrow 0$, where $\hat{\alpha}_{\hat{K}_l} \in \mathcal{M}_1(\mathbb{S})$ is the angle measure defined in (3.7). Then, for any function $\psi \in \mathcal{T}_0^\omega$, we have

$$(6.81) \quad \lim_{l \rightarrow \infty} \frac{1}{(2l+1)^2} \mathbb{E}_{l, \hat{K}_l} \left(-\mathcal{L}_l^{-1} \sum_{x \in B_{l_\psi}} \tau_x \psi \cdot \sum_{x \in B_{l_\psi}} \tau_x \psi \right) = \ll \psi \gg_{\hat{\alpha}}.$$

Furthermore, for any function $\psi \in \mathcal{T}_0^\omega$, the application $\hat{\alpha} \rightarrow \ll \psi \gg_{\hat{\alpha}}$ is continuous in $\hat{\alpha}$, and the convergence above is uniform in $\hat{\alpha}$. In particular, for any $\psi \in \mathcal{T}_0^\omega$,

$$(6.82) \quad \lim_{l \rightarrow \infty} \sup_{\hat{K} \in \mathbb{K}_l} \frac{1}{(2l+1)^2} \mathbb{E}_{l, \hat{K}_l} \left(-\mathcal{L}_l^{-1} \sum_{x \in B_{l_\psi}} \tau_x \psi \cdot \sum_{x \in B_{l_\psi}} \tau_x \psi \right) = \sup_{\hat{\alpha} \in \mathcal{M}_1(\mathbb{S})} \ll \psi \gg_{\hat{\alpha}}.$$

Remark 6.26. — Although it is not clear from its definition, $\ll \cdot \gg_{\hat{\alpha}}^{1/2}$ is a norm on $\mathcal{T}_0^\omega / \text{Ker} \ll \cdot \gg_{\hat{\alpha}}$. This is shown in Proposition 6.27. Assuming it is, however, we can define the corresponding inner product

$$\ll \varphi, \psi \gg_{\hat{\alpha}} = \frac{1}{4} (\ll \varphi + \psi \gg_{\hat{\alpha}} - \ll \varphi - \psi \gg_{\hat{\alpha}}),$$

and for any functions $\varphi, \psi \in \mathcal{T}_0^\omega$, the previous theorem then also yields that

$$\lim_{l \rightarrow \infty} \frac{1}{(2l+1)^2} \mathbb{E}_{l, \hat{K}_l} \left(\sum_{x \in B_{l_\varphi}} \tau_x \varphi \cdot (-\mathcal{L}_l)^{-1} \sum_{y \in B_{l_\psi}} \tau_y \psi \right) = \ll \varphi, \psi \gg_{\hat{\alpha}}.$$

The proof of Theorem 6.25 follows very closely the proof given in [27], we recall it in our case only for the sake of exhaustivity in Appendix C. The key to the proof is to divide B_l into boxes of size k which goes to infinity after l , in order to be able to replace the expectation w.r.t the canonical measure by the expectation w.r.t $\mu_{\hat{\alpha}}$. The rest of this section is dedicated to giving heuristic insight regarding the shape of $\ll \cdot \gg_{\hat{\alpha}}$, and why Theorem 6.25 should hold.

Heuristic insight on Definition 6.24 and Theorem 6.25. — The purpose of the second part of this Section is to explain the variational formula for the limiting covariance $\ll \psi \gg_{\hat{\alpha}}$. Given the generator \mathcal{L} of the SSEP on \mathbb{Z}^2 , for any function $f \in \mathcal{C}_0$, consider the linear application

$$(6.83) \quad \mathfrak{F} : f \mapsto \nabla \mathcal{L}^{-1} \Sigma_f = \begin{pmatrix} \nabla_1 \mathcal{L}^{-1} \Sigma_f \\ \nabla_2 \mathcal{L}^{-1} \Sigma_f \end{pmatrix}.$$

This definition raises a few questions. First of all, notice that it is not well-defined for any function $f \in \mathcal{C}_0$: indeed, even though f is a local cylinder function, $\mathcal{L}^{-1} f$ is no longer local, therefore it is not sure that $\nabla \mathcal{L}^{-1} \Sigma_f$ only involves a finite number of non-zero contribution. Second, the gradient in this expression, assuming that f is such that $\nabla \mathcal{L}^{-1} \Sigma_f$ is well-defined, would indicate thanks to the "translation invariance"

of Σ_f and \mathcal{L}^{-1} , that $\mathfrak{F}(f)$ is the germ of a closed form as introduced in Section 6.6. To illustrate this last remark, we describe the effect of this application over two particular subsets of \mathcal{C}_0 , namely $\mathcal{L}\mathcal{C}_0$ and J^ω introduced in (5.2).

We first investigate the action of \mathfrak{F} on the linear span of the currents J^ω . Consider an infinite configuration $\hat{\eta}$ with no particles outside of some large compact set K . For the sake of concision, we will call such a configuration *bounded*. Then, we can write

$$\sum_{x \in \mathbb{Z}^2} x_i \mathcal{L} \eta_x^\omega = \sum_{x \in \mathbb{Z}^2} \tau_x j_i^\omega = \Sigma_{j_i^\omega}.$$

Since the configuration was assumed bounded, both of the sums above are finite, and the identity above is well posed. Coming back to our application \mathfrak{F} , the previous identity yields that

$$\mathfrak{F}(j_i^\omega) = \begin{pmatrix} \nabla_1 \mathcal{L}^{-1} \Sigma_{j_i^\omega} \\ \nabla_2 \mathcal{L}^{-1} \Sigma_{j_i^\omega} \end{pmatrix} = \begin{pmatrix} \nabla_1 \sum_{x \in \mathbb{Z}^2} x_i \eta_x^\omega \\ \nabla_2 \sum_{x \in \mathbb{Z}^2} x_i \eta_x^\omega \end{pmatrix}.$$

Since the only positive contributions in the right hand side above are for $x \in \{0, e_i\}$, elementary calculations yield

$$\mathfrak{F}(j_i^\omega) = \mathbf{j}^{i,\omega},$$

where the $\mathbf{j}^{i,\omega}$'s are the germs introduced in equation (6.46). For any bounded configuration, we can generalize this identity according to the notations (6.78) and (6.79), and obtain

$$(6.84) \quad \mathfrak{F}(j^{a,b}) = \mathbf{j}^{a,b},$$

which once again holds for any bounded configuration. We can therefore expect that \mathfrak{F} maps J^ω into \mathfrak{J}^ω .

We now investigate the action of \mathfrak{F} on $\mathcal{L}\mathcal{C}_0$. Another way to write \mathfrak{F} is $\mathfrak{F}(f) = \nabla \Sigma_{\mathcal{L}^{-1}f}$, and therefore

$$\mathfrak{F}(\mathcal{L}f) = \nabla \sum_{x \in \mathbb{Z}^2} \tau_x \mathcal{L}^{-1} \mathcal{L}f = \nabla \Sigma_f.$$

This allows us to define \mathfrak{F} on $\mathcal{L}\mathcal{C}_0$ as well, by

$$(6.85) \quad \mathfrak{F}(\mathcal{L}f) = \nabla \Sigma_f,$$

which is the germ of an exact form associated to f , and we can thus expect \mathfrak{F} to map $\mathcal{L}\mathcal{C}_0$ into the set of germs of exact forms \mathfrak{E} introduced in Definition 6.12.

The two constructions above allow us to define the bijective application

$$\mathfrak{F} : \begin{array}{ccc} \mathcal{L}\mathcal{C}_0 + J^\omega & \longrightarrow & \mathfrak{E} + \mathfrak{J}^\omega \\ \mathcal{L}f + j^{a,b} & \mapsto & \nabla \Sigma_f + \mathbf{j}^{a,b} \end{array}.$$

Taking the closure of both spaces in $L^2(\mu_{\hat{\alpha}})$ and restricting to the subset $\mathcal{T}_0^\omega \subset \mathcal{C}_0$, we obtain that the application \mathfrak{F} is a one-to-one mapping between $\overline{\mathcal{L}\mathcal{T}_0^\omega} + J^\omega$ and $\mathfrak{E}_{\hat{\alpha}} \cap \mathfrak{F}^\omega + \mathfrak{J}^\omega$, where $\overline{\mathcal{L}\mathcal{T}_0^\omega}$ is the closure w.r.t. $\ll \cdot \gg_{\hat{\alpha}}^{1/2}$ of $\mathcal{L}\mathcal{T}_0^\omega$. Note that taking the closure and restriction of J^ω is not necessary, being a finite-dimension space included in \mathcal{T}_0^ω . Furthermore, we proved in Proposition 6.14 that

$$\mathfrak{E}_{\hat{\alpha}} \cap \mathfrak{F}^\omega + \mathfrak{J}^\omega = \mathfrak{C}_{\hat{\alpha}} \cap \mathfrak{F}^\omega.$$

We can therefore build an isomorphism

$$(6.86) \quad \mathfrak{F} : \overline{\mathcal{L}\mathcal{T}_0^\omega} + J^\omega \longrightarrow \mathfrak{C}_{\hat{\alpha}} \cap \mathfrak{F}^\omega.$$

Thanks to the isomorphism described in (6.86), this one-to-one mapping therefore gives $\mathcal{T}_0^\omega / \text{Ker}_{\hat{\alpha}}(\mathfrak{F})$ the same structure as $\mathfrak{C}_{\hat{\alpha}} \cap \mathfrak{F}^\omega$. Denoting by $\text{Ker}_{\hat{\alpha}}(\mathfrak{F})$ the kernel of \mathfrak{F} w.r.t $\|\cdot\|_{2,\hat{\alpha}}$ this mapping yields the decomposition

$$\frac{\mathcal{T}_0^\omega}{\text{Ker}_{\hat{\alpha}}(\mathfrak{F})} = \frac{\overline{\mathcal{L}\mathcal{T}_0^\omega}}{\text{Ker}_{\hat{\alpha}}(\mathfrak{F})} \oplus J^\omega,$$

which is strictly analogous to the one stated in Proposition 6.14. However, this construction is purely heuristic, and its rigorous derivation is given a bit later in Proposition 6.32. This decomposition, however, is the reason why (6.76) should hold : $\delta_i(\eta_0^\omega \mathbb{1}_{E_p})$ is a function in \mathcal{T}_0^ω , and can therefore be written as a combination of the currents $\delta_i \eta_0 = j_i$ and j_i^ω , up to a perturbation $\mathcal{L}f$. The rigorous derivation of (6.76),

and the derivation of the explicit form of the conductivity and diffusion coefficients is the purpose of Section 6.8.

We now explain further the variational formula for the limiting covariance $\ll \cdot \gg_{\hat{\alpha}}$ introduced in Definition 6.24. Let us now admit for a moment that \mathfrak{F} is well-defined on all \mathcal{T}_0^ω , and takes its value in the set of germs of closed forms. \mathfrak{F} is now a surjective linear application $\mathcal{T}_0^\omega \rightarrow \mathfrak{C}_{\hat{\alpha}} \cap \mathfrak{F}^\omega$. Recall that we endowed $\mathfrak{C}_{\hat{\alpha}}$ with its L^2 norm

$$\|\mathbf{u}\|_{2,\hat{\alpha}} = [\mathbb{E}_{\hat{\alpha}}(\mathbf{u}_1^2 + \mathbf{u}_2^2)]^{1/2}.$$

It can be rewritten for any closed form $\mathbf{u} = (\mathbf{u}_1, \mathbf{u}_2) \in \mathfrak{C}_{\hat{\alpha}} \cap \mathfrak{F}^\omega$, as

$$(6.87) \quad \|\mathbf{u}\|_{2,\hat{\alpha}}^2 = \sup_{\substack{g \in \mathcal{T}_0^\omega \\ a, b \in \mathbb{R}^2}} \left\{ 2\mathbb{E}_{\hat{\alpha}} \left(\mathbf{u} \cdot (\nabla \Sigma_g + \mathbf{j}^{a,b}) \right) - \left\| \nabla \Sigma_g + \mathbf{j}^{a,b} \right\|_{2,\hat{\alpha}}^2 \right\},$$

since

$$\inf_{\substack{g \in \mathcal{T}_0^\omega \\ a, b \in \mathbb{R}^2}} \left\| \mathbf{u} - (\nabla \Sigma_g + \mathbf{j}^{a,b}) \right\|_{2,\hat{\alpha}}^2 = 0$$

according to Proposition 6.14.

Since $\text{Ker}_{\hat{\alpha}}(\mathfrak{F})$ is the kernel of \mathfrak{F} w.r.t $\|\cdot\|_{2,\hat{\alpha}}$, \mathfrak{F} is an isomorphism between $\mathcal{T}_0^\omega / \text{Ker}_{\hat{\alpha}}(\mathfrak{F})$ and $\mathfrak{C}_{\hat{\alpha}} \cap \mathfrak{F}^\omega$, and we can therefore equip $\mathcal{T}_0^\omega / \text{Ker}_{\hat{\alpha}}(\mathfrak{F})$ with the norm $\ll \cdot \gg_{\hat{\alpha}}^{1/2}$ induced by the mapping \mathfrak{F} , defined as

$$\ll f \gg_{\hat{\alpha}}^{1/2} = \|\mathfrak{F}(f)\|_{2,\hat{\alpha}}.$$

Since $\mathfrak{F}(f)$ was assumed to be the germ of a closed form, we can rewrite thanks to (6.87)

$$\ll f \gg_{\hat{\alpha}} = \sup_{\substack{g \in \mathcal{T}_0^\omega \\ a, b \in \mathbb{R}^2}} \left\{ 2\mathbb{E}_{\hat{\alpha}} \left(\mathfrak{F}(f) \cdot (\nabla \Sigma_g + \mathbf{j}^{a,b}) \right) - \left\| \nabla \Sigma_g + \mathbf{j}^{a,b} \right\|_{2,\hat{\alpha}}^2 \right\}.$$

This expression for $\ll \cdot \gg_{\hat{\alpha}}$ is in fact identical to that given in Definition 6.24, once admitted that the correct expression in a general setting for \mathfrak{F} is (6.83), and that the integration by parts formula of Section 5.1 can be generalized. However, once again, this construction is not rigorous, and the correct definition for $\ll \cdot \gg_{\hat{\alpha}}$ is the one given in Definition 6.24.

We now briefly carry on with our heuristics and explain why Theorem 6.25 holds, which is rigorously proven in Appendix C. The proof is based on the integration by parts obtained in subsection 5.1. Applying it to $\sum_{x \in B_{l,\psi}} \tau_x \psi$ yields that the quantity in the right-hand side of (6.81) can be rewritten

$$\lim_{l \rightarrow \infty} \frac{1}{(2l+1)^2} \mathbb{E}_{l, \hat{K}_l} \left(\frac{1}{2} \sum_{\substack{x \in B_l \\ |z|=1}} \left[\nabla_{x, x+z} \mathcal{L}_l^{-1} \sum_{x \in B_{l,\psi}} \tau_x \psi \right]^2 \right).$$

Assuming that one is able to replace μ_{l, \hat{K}_l} by the translation invariant grand canonical measure $\mu_{\hat{\alpha}}$, and all quantities being ultimately translation invariant, this limit should be the same as

$$\begin{aligned} \lim_{l \rightarrow \infty} \frac{1}{(2l+1)^2} \mathbb{E}_{\hat{\alpha}} \left(\frac{1}{2} \sum_{\substack{x \in B_l \\ |z|=1}} \left[\nabla_{x, x+z} \mathcal{L}_l^{-1} \sum_{x \in B_{l,\psi}} \tau_x \psi \right]^2 \right) &= \lim_{l \rightarrow \infty} \mathbb{E}_{\hat{\alpha}} \left(\sum_{i=1,2} \left[\nabla_{0, e_i} \mathcal{L}_l^{-1} \sum_{x \in B_{l,\psi}} \tau_x \psi \right]^2 \right) \\ &= \|\mathfrak{F}(\psi)\|_{2,\hat{\alpha}}^2 \\ &= \ll \psi \gg_{\hat{\alpha}}. \end{aligned}$$

The rigorous proof of this result, however, is complicated due to the delicate nature of \mathcal{L}^{-1} . In the next section, we derive the diffusion and conductivity matrices, by investigating the properties of $\ll \cdot \gg_{\hat{\alpha}}$.

6.8. Diffusion and drift coefficients. — *In this Section we derive the diffusion and conductivity coefficients given in Theorem 2.6, and conclude the proof of the limit (6.7). To do so, we investigate the properties of the semi-norm $\ll \cdot \gg_{\hat{\alpha}}^{1/2}$, and the structure of the quotient of the set \mathcal{T}_0^ω defined in equation (6.77) by the kernel of $\ll \cdot \gg_{\hat{\alpha}}$.*

In Section 6.5 we reduced the proof of equation 6.7 to proving Proposition 6.7, namely

$$\inf_f \lim_{p \rightarrow \infty} \limsup_{l \rightarrow \infty} \sup_{\hat{K} \in \tilde{\mathbb{K}}_l} (2l+1)^2 \mathbb{E}_{l, \hat{K}} (\mathcal{W}_i^l (-\mathcal{L}_l)^{-1} \mathcal{W}_i^l) = 0,$$

where

$$\mathcal{W}_i^l = \mathcal{W}_{i,p}^{f,l} = \langle j_i^\omega \rangle_0^{l'} + d_s(\rho_l) \delta_i \rho_{l_p}^{\omega,p} + \mathfrak{d}(\rho_l, \rho_l^\omega) \delta_i \rho_{l'} - \langle \mathcal{L}f \rangle_0^{lf}.$$

Thanks to equation (6.82) of Theorem 6.25, we can also write

$$\lim_{l \rightarrow \infty} \sup_{\hat{K}} (2l+1)^2 \mathbb{E}_{l, \hat{K}} (\mathcal{W}_{i,p}^{f,l} (-\mathcal{L}_l)^{-1} \mathcal{W}_{i,p}^{f,l}) = \sup_{\hat{\alpha} \in \mathcal{M}_1(\mathbb{S})} \ll \mathcal{V}_{i,p}^f(\hat{\alpha}) \gg_{\hat{\alpha}},$$

with

$$(6.88) \quad \mathcal{V}_{i,p}^f(\hat{\alpha}) = j_i^\omega + d_s(\alpha) \delta_i \eta_0^{\omega,p} + \mathfrak{d}(\hat{\alpha}) \delta_i \eta_0 + \mathcal{L}f,$$

and $\mathfrak{d}(\hat{\alpha})$ is given by (6.75). The main result of this section is the estimate

$$(6.89) \quad \inf_{f \in \mathcal{C}_0} \lim_{p \rightarrow \infty} \sup_{\hat{\alpha} \in \mathcal{M}_1(\mathbb{S})} \ll \mathcal{V}_{i,p}^f(\hat{\alpha}) \gg_{\hat{\alpha}} = 0,$$

which is stated at the end of the section in Proposition 6.38 and concludes the proof of equation (6.7), and thus the proof of Theorem 6.1.

Keeping the notations introduced in Section 6.7, we first investigate the properties of $\ll \cdot \gg_{\hat{\alpha}}$ introduced in Definition 6.24.

Proposition 6.27. — *norm and inner product of the currents and $\mathcal{L}g$ in $\mathcal{H}_{\hat{\alpha}}$ The quantity $\ll \cdot \gg_{\hat{\alpha}}^{1/2}$ defined in (6.80) is a semi-norm on the space \mathcal{T}_0^ω (cf. (6.77)), and thus extends via the polarization identity into a semi-inner product on \mathcal{T}_0^ω . Furthermore, let g and h be two functions in \mathcal{T}_0^ω , and $a, b \in \mathbb{R}^2$. We have the following identities :*

$$(6.90) \quad \ll \mathcal{L}g, h \gg_{\hat{\alpha}} = -\mathbb{E}_{\hat{\alpha}}(\Sigma_g \cdot h),$$

$$(6.91) \quad \ll j^{a,b}, h \gg_{\hat{\alpha}} = - \sum_{x \in \mathbb{Z}^2} [(a \cdot x) \mathbb{E}_{\hat{\alpha}}(h \cdot \eta_x^\omega) + (b \cdot x) \mathbb{E}_{\hat{\alpha}}(h \cdot \eta_x)],$$

and

$$(6.92) \quad \ll \mathcal{L}g + j^{a,b} \gg_{\hat{\alpha}} = \left\| \nabla \Sigma_g + j^{a,b} \right\|_{2, \hat{\alpha}}^2.$$

where $(a \cdot x)$ is the canonical scalar product on \mathbb{R}^2 , and $j^{a,b} = a \cdot j^\omega + b \cdot j$ was defined in (6.78).

Remark 6.28. — The following identities immediately derive from (6.92), and will be used numerous times throughout the proof :

$$\ll j_i \gg_{\hat{\alpha}} = \alpha(1 - \alpha), \quad \ll j_i^\omega \gg_{\hat{\alpha}} = \mathbb{E}_{\hat{\alpha}}(\omega^2) \alpha(1 - \alpha) \quad \text{and} \quad \ll j_i, j_i^\omega \gg_{\hat{\alpha}} = \mathbb{E}_{\hat{\alpha}}(\omega) \alpha(1 - \alpha).$$

Proof of Proposition 6.27. — Although this result is expected from the heuristic derivation of the variational formula for $\ll \cdot \gg_{\hat{\alpha}}$, its proof comes from Theorem 6.25. The fact that $\ll \cdot \gg_{\hat{\alpha}}$ is a semi-norm is rather straightforward. Its positivity directly results from Theorem 6.25, as well as the homogeneity. The triangular inequality follows directly from the positivity.

We first prove equation (6.90). Let $g, h \in \mathcal{T}_0^\omega$, Theorem 6.25 yields

$$\ll \mathcal{L}g, h \gg_{\hat{\alpha}} = \lim_{l \rightarrow \infty} \frac{1}{(2l+1)^2} \mathbb{E}_{l, \hat{K}_l} \left((-\mathcal{L}_l^{-1}) \sum_{x \in B_{l_g}} \tau_x \mathcal{L}g \cdot \sum_{y \in B_{l_h}} \tau_y h \right).$$

Given the definition of l_g , for any $x \in B_{l_g}$, we have $\tau_x \mathcal{L}g = \mathcal{L}\tau_x g = \mathcal{L}_l \tau_x g$, therefore the expectation in the right-hand side above is equal to

$$\mathbb{E}_{l, \widehat{\mathcal{K}}_l} \left(\sum_{x \in B_{l_g}} \tau_x g \cdot \sum_{y \in B_{l_h}} \tau_y h \right) = \sum_{x \in B_{l_g}} \mathbb{E}_{l, \widehat{\mathcal{K}}_l} \left(\tau_x \left[g \cdot \sum_{y \in B_{l_h}} \tau_{y-x} h \right] \right).$$

Now let us fix some $x \in \mathbb{Z}^2$, $\mathbb{E}_{l, \widehat{\mathcal{K}}_l} \left(\tau_x \left[g \cdot \sum_{y \in B_{l_h}} \tau_{y-x} h \right] \right)$ is equal for l large enough to $\mathbb{E}_{l, \widehat{\mathcal{K}}_l} (\tau_x [g \cdot \Sigma_h])$. Therefore, it converges thanks to the translation invariance of $\mu_{\widehat{\alpha}}$ and the equivalence of ensembles stated in Proposition B.1 towards $\mathbb{E}_{\widehat{\alpha}}(g \Sigma_h)$ uniformly in x , which completes the proof of identity (6.90). Note that at no point did we use that g and h are in \mathcal{T}_0^ω , we only used that g and h are in \mathcal{C}_0 .

We now turn to equation (6.91), which is proved in the same way. Thanks to the elementary identities

$$\mathcal{L}_l \sum_{x \in B_l} x_i \eta_x^\omega = \sum_{x, x+e_i \in B_l} j_{x, x+e_i}^\omega \quad \text{and} \quad \mathcal{L}_l \sum_{x \in B_l} x_i \eta_x = \sum_{x, x+e_i \in B_l} j_{x, x+e_i},$$

we obtain

$$(6.93) \quad \ll j_i^\omega, h \gg_{\widehat{\alpha}} = \lim_{l \rightarrow \infty} \frac{1}{(2l+1)^2} \mathbb{E}_{l, \widehat{\mathcal{K}}_l} \left((-\mathcal{L}_l^{-1}) \sum_{x, x+e_i \in B_l} j_{x, x+e_i}^\omega \cdot \sum_{x \in B_{l_h}} \tau_x h \right)$$

$$(6.94) \quad = \lim_{l \rightarrow \infty} \frac{1}{(2l+1)^2} \mathbb{E}_{l, \widehat{\mathcal{K}}_l} \left(\sum_{x \in B_l} x_i \eta_x^\omega \cdot \sum_{x \in B_{l_h}} \tau_x h \right),$$

therefore once again using the equivalence of ensembles finally yields

$$\ll j_i^\omega, h \gg_{\widehat{\alpha}} = - \sum_{x \in \mathbb{Z}^2} x_i \mathbb{E}_{\widehat{\alpha}} (h \cdot \eta_x^\omega).$$

An analogous identity holds for j_i , which proves equation (6.91).

We now prove (6.92). Equations (6.90) and (6.91) yield

$$(6.95) \quad \ll \mathcal{L}g + j^{a,b} \gg_{\widehat{\alpha}} = -\mathbb{E}_{\widehat{\alpha}} \left((\mathcal{L}g + j^{a,b}) \cdot \left[\Sigma_g + \sum_{x \in \mathbb{Z}^2} (a \cdot x) \eta_x^\omega + (b \cdot x) \eta_x \right] \right),$$

we split the right-hand side above in two parts.

First, recall that we introduced in (6.79) the notation $\mathbf{j}^{a,b}$, we can rewrite for any $l \geq s_g + 1$

$$(6.96) \quad \begin{aligned} & \mathbb{E}_{\widehat{\alpha}} \left(\mathcal{L}g \cdot \left[\Sigma_g + \sum_{x \in \mathbb{Z}^2} (a \cdot x) \eta_x^\omega + (b \cdot x) \eta_x \right] \right) \\ &= -\frac{1}{2} \sum_{\substack{(y, y+z) \in B_l \\ |z|=1}} \mathbb{E}_{\widehat{\alpha}} \left(\nabla_{y, y+z} g \cdot \nabla_{y, y+z} \left[\Sigma_g + \sum_{x \in \mathbb{Z}^2} (a \cdot x) \eta_x^\omega + (b \cdot x) \eta_x \right] \right) \\ &\stackrel{(i)}{=} -\sum_{i=1}^2 \sum_{(y, y+e_i) \in B_l} \mathbb{E}_{\widehat{\alpha}} \left(\nabla_{y, y+e_i} g \cdot \nabla_{y, y+e_i} \left[\Sigma_g + \sum_{x \in \mathbb{Z}^2} a_i x_i \eta_x^\omega + b_i x_i \eta_x \right] \right) \\ &\stackrel{(ii)}{=} -\sum_{i=1}^2 \mathbb{E}_{\widehat{\alpha}} \left(\nabla_i \left[\sum_{(y, y+e_i) \in B_l} \tau_{-y} g \right] \cdot (\nabla_i \Sigma_g + \mathbf{j}_i^{a,b}) \right) \\ &= -\sum_{i=1}^2 \mathbb{E}_{\widehat{\alpha}} \left(\nabla_i \Sigma_g \cdot (\nabla_i \Sigma_g + \mathbf{j}_i^{a,b}) \right) \end{aligned}$$

with the following justifications :

(i) The change of variable $\hat{\eta} \mapsto \hat{\eta}^{y,y+e_i}$ transforms $\nabla_{y+e_i,y}$ into $-\nabla_{y,y+e_i}$, therefore

$$\sum_{\substack{(y,y+z) \in B_l \\ |z|=1}} \mathbb{E}_{\hat{\alpha}} (\nabla_{y,y+z} f \nabla_{y+z,y} g) = 2 \sum_{y,y+e_i \in B_l} \mathbb{E}_{\hat{\alpha}} (\nabla_{y,y+e_i} f \nabla_{y,y+e_i} g).$$

Finally, for any $i \neq j$,

$$\nabla_{y,y+e_i} \sum_{x \in \mathbb{Z}^2} x_j \eta_x^\omega = \nabla_{y,y+e_i} \sum_{x \in \mathbb{Z}^2} x_j \eta_x = 0.$$

(ii) translation invariance of $\mu_{\hat{\alpha}}$, as well as the elementary identities

$$\begin{aligned} \tau_{-x} \nabla_{x,x+e_i} g &= \nabla_i \tau_{-x} g, \\ \nabla_{0,e_i} \sum_{x \in \mathbb{Z}^2} x_i \eta_x^\omega &= \eta_0^\omega (1 - \eta_{e_i}) = \mathbf{j}_i^{\omega,i} \quad \text{and} \quad \nabla_{0,e_i} \sum_{x \in \mathbb{Z}^2} x_i \eta_x = \eta_0 (1 - \eta_{e_i}) = \mathbf{j}_i^i. \end{aligned}$$

Regarding the second part of (6.95), for any function h , a change of variable $\hat{\eta} \mapsto \hat{\eta}^{0,e_i}$ in the second part of j_i^ω yields

$$\mathbb{E}_{\hat{\alpha}} (j_i^\omega h) = -\mathbb{E}_{\hat{\alpha}} (\eta_0^\omega (1 - \eta_{e_i}) (h(\hat{\eta}^{0,e_i}) - h(\hat{\eta}))) = -\mathbb{E}_{\hat{\alpha}} (\mathbf{j}_i^{\omega,i} \cdot \nabla_{0,e_i} h).$$

Using the latter with $h = \Sigma_g + \sum_{x \in \mathbb{Z}^2} (a \cdot x) \eta_x^\omega + (b \cdot x) \eta_x$, and since $\nabla_i \sum_{x \in \mathbb{Z}^2} x_i \eta_x^\omega = \eta_0^\omega (1 - \eta_{e_i})$, we obtain

$$\mathbb{E}_{\hat{\alpha}} (j_i^\omega \cdot (\Sigma_g + \sum_{x \in \mathbb{Z}^2} (a \cdot x) \eta_x^\omega + (b \cdot x) \eta_x)) = -\mathbb{E}_{\hat{\alpha}} (\mathbf{j}_i^{\omega,i} \cdot (\nabla_i \Sigma_g + \mathbf{j}_i^{a,b})).$$

A similar identity holds for j_i , therefore for any a and b in \mathbb{R}^2 ,

$$\mathbb{E}_{\hat{\alpha}} (j_i^{a,b} \cdot (\Sigma_g + \sum_{x \in \mathbb{Z}^2} (a \cdot x) \eta_x^\omega + (b \cdot x) \eta_x)) = -\mathbb{E}_{\hat{\alpha}} (\mathbf{j}_i^{a,b} \cdot (\nabla \Sigma_g + \mathbf{j}_i^{a,b})).$$

This last identity, together with (6.95) and (6.96), proves (6.92) and concludes the proof of Lemma 6.27. \square

Remark 6.29. — Let us denote by $\mathcal{L}^{(i)}$ the part of the generator \mathcal{L} representing jumps in the i -th direction

$$\mathcal{L}^{(i)} f = \sum_x \sum_{\delta=\pm 1} \eta_x (1 - \eta_{x+\delta e_i}) (f(\hat{\eta}^{x,x+\delta e_i}) - f(\hat{\eta})).$$

Performing computations as in the proof of equation (6.96) yield

$$\ll \mathcal{L}^{(i)} f, \mathcal{L} f \gg_{\hat{\alpha}} = \mathbb{E}_{\hat{\alpha}} [(\nabla_i \Sigma_f)^2],$$

which means that for any given function $f, g \in \mathcal{T}_0^\omega$, and any $a, b, c, d \in \mathbb{R}$ we can write thanks to (6.92) and to the definition of $\|\cdot\|_{2,\hat{\alpha}}^2$ (which splits the coordinates)

$$\ll a j_i^\omega + b j_i + \mathcal{L}^{(i)} f, c j_k^\omega + d j_k + \mathcal{L}^{(k)} g \gg_{\hat{\alpha}} = \mathbb{1}_{i=k} \mathbb{E}_{\hat{\alpha}} \left(\left[a \mathbf{j}_i^i + b \mathbf{j}_i^{i,\omega} + \nabla_i \Sigma_f \right] \left[c \mathbf{j}_k^k + d \mathbf{j}_k^{k,\omega} + \nabla_k \Sigma_g \right] \right),$$

Since the right-hand side above vanishes if $i \neq k$, we have for any $i \neq k$

$$(6.97) \quad \ll \mathcal{L}^{(i)} f, \mathcal{L}^{(k)} g \gg_{\hat{\alpha}} = 0.$$

Remark 6.30. — Proposition 6.27 allows us, for any function $h \in \mathcal{T}_0^\omega$, to rewrite $\ll h \gg_{\hat{\alpha}}$, according to its Definition 6.24 as

$$(6.98) \quad \ll h \gg_{\hat{\alpha}} = \sup_{\substack{g \in \mathcal{T}_0^\omega \\ a, b \in \mathbb{R}^2}} \{ 2 \ll h, \mathcal{L} g + j^{a,b} \gg_{\hat{\alpha}} - \ll \mathcal{L} g + j^{a,b} \gg_{\hat{\alpha}} \}.$$

therefore for any $h \in \mathcal{T}_0^\omega$, we have

$$\inf_{\substack{g \in \mathcal{T}_0^\omega \\ a, b \in \mathbb{R}^2}} \ll h - (\mathcal{L} g + j^{a,b}) \gg_{\hat{\alpha}} = 0.$$

Denote

$$(6.99) \quad \mathcal{N}_{\hat{\alpha}} = \{ h \in \mathcal{T}_0^\omega, \ll h \gg_{\hat{\alpha}} = 0 \},$$

one can therefore expect that in the space $\mathcal{T}_0^\omega/\mathcal{N}_{\hat{\alpha}}$, any function h can be ultimately written as $\mathcal{L}g + j^{a,b}$. However, proving that this decomposition is unique requires Corollary 6.31 below, we therefore postpone it for now.

Before carrying on with the proof, we set some more notations. We shorten

$$\mathbb{E}_{\hat{\alpha}}(\omega) := \mathbb{E}_{\hat{\alpha}}(\omega(\theta_0) \mid \eta_0 = 1) \quad \text{and} \quad \text{Var}_{\hat{\alpha}}(\omega) := \text{Var}_{\hat{\alpha}}(\omega(\theta_0) \mid \eta_0 = 1),$$

as well as $\alpha_\omega = \mathbb{E}_{\hat{\alpha}}(\eta_0^\omega) = \alpha \mathbb{E}_{\hat{\alpha}}(\omega)$. We also denote by

$$\chi^\omega = \mathbb{E}_{\hat{\alpha}}((\eta_0^\omega)^2) - \mathbb{E}_{\hat{\alpha}}(\eta_0^\omega)^2 = \alpha_{\omega^2} - (\alpha_\omega)^2$$

the variance of η_0^ω w.r.t $\mu_{\hat{\alpha}}$.

In the rest of the section, it will be convenient to express differently the gradient part of $\mathcal{V}_{i,p}^f$, defined in (6.88) : on the one hand, we want a term which is constant in θ and on the other hand a mean 0 term which fluctuates in θ . For this purpose, we define

$$\xi_x^p = (\omega(\theta_x) \mathbb{1}_{\tau_x E_p} - \mathbb{E}_{\hat{\alpha}}(\omega)) \eta_x.$$

where

$$E_p = \left\{ \sum_{x \in B_p} \eta_x \leq |B_p| - 2 \right\}$$

is the event on which at least two sites are empty in B_p . Recall that

$$\delta_i \eta_0^{\omega,p} = \eta_{e_i}^\omega \mathbb{1}_{\tau_{e_i} E_p} - \eta_0^\omega \mathbb{1}_{E_p}.$$

The quantity ξ_x^p is defined so that

$$(6.100) \quad \delta_i \xi_0^p = \delta_i \eta_0^{\omega,p} + \mathbb{E}_{\hat{\alpha}}(\omega) j_i,$$

therefore elementary computations and the expression (2.12) of \mathfrak{d} allow us to rewrite in (6.88)

$$(6.101) \quad \mathcal{V}_{i,p}^f(\hat{\alpha}) = j_i^\omega + d_s(\alpha) \delta_i \xi_0^p + \mathbb{E}_{\hat{\alpha}}(\omega) \delta_i \eta_0 + \mathcal{L}f.$$

Note that ξ^p depends on $\hat{\alpha}$ as well as ω , but for the sake of clarity, we drop this dependence in our notation. The reason for this change of variable is explained later on in Remark 6.34.

We now state the following Corollary of Proposition 6.27.

Corollary 6.31. — Denote $p' = (2p + 1)^2$ and

$$P_p(\alpha) = 1 - \alpha^{p'-1} - (p' - 1)(1 - \alpha)\alpha^{p'-2},$$

the probability for a binomial distribution with parameters $p' - 1$ and $1 - \alpha$ to be strictly more than 1. Recall that we introduced in (6.100) the gradient $\delta_i \xi_0^p$, for any integer p and any $\hat{\alpha}$ in $\mathcal{M}_1(\mathbb{S})$,

$$(6.102) \quad \ll \delta_i \xi_0^p, j^{a,b} \gg_{\hat{\alpha}} = -a_i \alpha \text{Var}_{\hat{\alpha}}(\omega) P_p(\alpha) + (\mathbb{E}_{\hat{\alpha}}(\omega) a_i + b_i) \mathbb{E}_{\hat{\alpha}}(\omega) (1 - \alpha) \alpha^{p'-1}.$$

Furthermore, for any function $g \in \mathcal{T}_0^\omega$, and any cylinder function $h \in T_0^\omega$,

$$(6.103) \quad \ll \mathcal{L}g, \delta_i h \gg_{\hat{\alpha}} = 0.$$

In other words, the last identity states that any gradient expression is orthogonal to any $\mathcal{L}g$ w.r.t. $\ll \cdot, \cdot \gg_{\hat{\alpha}}$. In particular, for any function $g \in \mathcal{T}_0$,

$$\ll \mathcal{L}g, \delta_i \xi_0^p \gg_{\hat{\alpha}} = 0 \quad \text{and} \quad \ll \mathcal{L}g, \delta_i \eta_0 \gg_{\hat{\alpha}} = - \ll \mathcal{L}g, j_i \gg_{\hat{\alpha}} = 0.$$

Proof of Corollary 6.31. — The proof follows from Proposition 6.27. We first treat the case where $\hat{\alpha}$ is such that $\alpha = 0$ or $\alpha = 1$. In this case, all quantities vanish and the two identities are trivially true. We now assume that $\alpha \in]0, 1[$.

We start with (6.103), which is a direct consequence of (6.85) : for any $g \in \mathcal{T}_0$,

$$\ll \mathcal{L}g, \delta_i h \gg_{\hat{\alpha}} = -\mathbb{E}_{\hat{\alpha}}((\tau_{e_i} h - h) \Sigma_g),$$

which vanishes thanks to the translation invariance of $\mu_{\hat{\alpha}}$ and Σ_g .

Thanks to Proposition 6.27, proving identity (6.102) is a matter of careful computation, and poses no special difficulty. First, equation (6.91) yields

$$\begin{aligned} \ll \delta_i \eta_0^{\omega,p}, j_k^\omega \gg_{\hat{\alpha}} &= - \sum_{x \in \mathbb{Z}^2} x_k \mathbb{E}_{\hat{\alpha}} (\delta_i \eta_0^{\omega,p} \eta_x^\omega) \\ &= \sum_{x \in \mathbb{Z}^2} x_k \mathbb{E}_{\hat{\alpha}} \left([\eta_0^\omega \mathbb{1}_{E_p} - \eta_{e_i}^\omega \mathbb{1}_{\tau_{e_i} E_p}] \eta_x^\omega \right) \end{aligned}$$

If $x \neq 0$, e_i , under the product measure $\mu_{\hat{\alpha}}$, we have

$$\mathbb{E}_{\hat{\alpha}} (\eta_0^\omega \mathbb{1}_{E_p} \eta_x^\omega) = \mathbb{E}_{\hat{\alpha}} (\eta_{e_i}^\omega \mathbb{1}_{\tau_{e_i} E_p} \eta_x^\omega),$$

and the corresponding contribution vanishes, and the contribution in e_i vanishes if $i \neq k$ for the same reason. The contribution for $x = 0$ also vanishes because of the factor x_k . Finally, we can write

$$\ll \delta_i \eta_0^{\omega,p}, j_k^\omega \gg_{\hat{\alpha}} = \mathbb{1}_{i=k} \mathbb{E}_{\hat{\alpha}} \left([\eta_0^\omega \mathbb{1}_{E_p} - \eta_{e_i}^\omega \mathbb{1}_{\tau_{e_i} E_p}] \eta_{e_i}^\omega \right).$$

Writing $\mathbb{1}_{E_p} = 1 - \mathbb{1}_{E_p^c}$, this identity now becomes

$$(6.104) \quad \ll \delta_i \eta_0^{\omega,p}, j_k^\omega \gg_{\hat{\alpha}} = \mathbb{1}_{i=k} \left(\mathbb{E}_{\hat{\alpha}} ([\eta_0^\omega - \eta_{e_i}^\omega] \cdot \eta_{e_i}^\omega) - \mathbb{E}_{\hat{\alpha}} \left([\eta_0^\omega \mathbb{1}_{E_p^c} - \eta_{e_i}^\omega \mathbb{1}_{\tau_{e_i} E_p^c}] \eta_{e_i}^\omega \right) \right).$$

Following the same steps, we can also write

$$\ll \mathbb{E}_{\hat{\alpha}}(\omega) j_i, j_k^\omega \gg_{\hat{\alpha}} = -\mathbb{1}_{i=k} \mathbb{E}_{\hat{\alpha}}(\omega) \mathbb{E}_{\hat{\alpha}}([\eta_0 - \eta_{e_i}] \cdot \eta_{e_i}^\omega).$$

Since by definition $\delta_i \xi_0^p = \delta_i \eta_0^{\omega,p} + \mathbb{E}_{\hat{\alpha}}(\omega) j_i$ and $\mathbb{E}_{\hat{\alpha}}(\eta_x^\omega) = \mathbb{E}_{\hat{\alpha}}(\omega) \mathbb{E}_{\hat{\alpha}}(\eta_x)$, taking the sum of those two identities finally yields

$$(6.105) \quad \ll \delta_i \xi_0^p, j_k^\omega \gg_{\hat{\alpha}} = -\mathbb{1}_{i=k} \alpha \text{Var}_{\hat{\alpha}}(\omega) - \mathbb{1}_{i=k} \mathbb{E}_{\hat{\alpha}} \left([\eta_0^\omega \mathbb{1}_{E_p^c} - \eta_{e_i}^\omega \mathbb{1}_{\tau_{e_i} E_p^c}] \eta_{e_i}^\omega \right).$$

Furthermore, since the expectations is taken w.r.t. the product measure $\mu_{\hat{\alpha}}$, the second term can be explicitly computed, and it is straightforward to obtain that

$$(6.106) \quad \mathbb{E}_{\hat{\alpha}} \left([\eta_0^\omega \mathbb{1}_{E_p^c} - \eta_{e_i}^\omega \mathbb{1}_{\tau_{e_i} E_p^c}] \eta_{e_i}^\omega \right) = -\alpha \text{Var}_{\hat{\alpha}}(\omega) \left(\alpha^{p'-1} + (p'-1)(1-\alpha)\alpha^{p'-2} \right) - \mathbb{E}_{\hat{\alpha}}(\omega)^2 (1-\alpha)\alpha^{p'-1}.$$

We denote as stated in Corollary 6.31

$$P_p(\alpha) = 1 - \alpha^{p'-1} - (p'-1)(1-\alpha)\alpha^{p'-2},$$

which is the probability for a binomial distribution with parameters $p'-1$ and $1-\alpha$ to be strictly more than 1 and vanishes uniformly as soon as $\hat{\alpha}$ is bounded away from 1. With this notation and equations (6.105) and (6.106), we obtain as wanted

$$(6.107) \quad \ll \delta_i \xi_0^p, j_k^\omega \gg_{\hat{\alpha}} = \mathbb{1}_{i=k} \left[-\alpha \text{Var}_{\hat{\alpha}}(\omega) P_p(\alpha) + \mathbb{E}_{\hat{\alpha}}(\omega)^2 (1-\alpha)\alpha^{p'-1} \right].$$

We can derive in the same way

$$\ll \delta_i \eta_0^{\omega,p}, j_k \gg_{\hat{\alpha}} = \mathbb{1}_{i=k} (-\alpha \omega (1-\alpha) + \mathbb{E}_{\hat{\alpha}}(\omega) (1-\alpha)\alpha^{p'-1}),$$

and

$$\ll \mathbb{E}_{\hat{\alpha}}(\omega) j_i, j_k \gg_{\hat{\alpha}} = \mathbb{1}_{i=k} \mathbb{E}_{\hat{\alpha}}(\omega) \alpha \omega (1-\alpha),$$

therefore, we also have

$$\ll \delta_i \xi_0^p, j_k \gg_{\hat{\alpha}} = \mathbb{1}_{i=k} \left[\mathbb{E}_{\hat{\alpha}}(\omega) (1-\alpha)\alpha^{p'-1} \right].$$

This, together with (6.107), concludes the proof of equation (6.102). \square

Now that we have derived the main properties of $\ll \cdot \gg_{\hat{\alpha}}$, we are ready to investigate the structure of \mathcal{T}_0^ω with respect to this semi-norm. Let us denote

$$\mathcal{N}_{\hat{\alpha}} = \text{Ker } \ll \cdot \gg_{\hat{\alpha}},$$

$\ll \cdot \gg_{\hat{\alpha}}^{1/2}$ is therefore a norm on $\mathcal{T}_0^\omega / \mathcal{N}_{\hat{\alpha}}$. Letting $\mathcal{H}_{\hat{\alpha}}$ be the completion of $\mathcal{T}_0^\omega / \mathcal{N}_{\hat{\alpha}}$ with respect to $\ll \cdot \gg_{\hat{\alpha}}^{1/2}$, we can now state the following result :

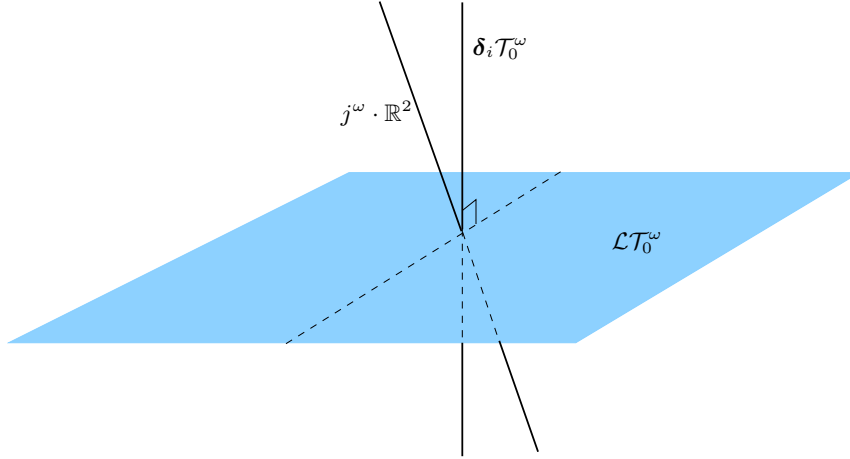


FIGURE 11. Representation of the different subspaces of $\mathcal{H}_{\hat{\alpha}}$: \mathcal{LT}_0^ω is orthogonal to the set of microscopic gradients $\delta_i \mathcal{T}_0^\omega$, but not to the set of currents $j^\omega \cdot \mathbb{R}^2$.

Proposition 6.32 (Structure of $\mathcal{H}_{\hat{\alpha}}$). — For any $\hat{\alpha} \in \mathcal{M}_1(\mathbb{S})$, $(\mathcal{H}_{\hat{\alpha}}, \ll \cdot \gg_{\hat{\alpha}}^{1/2})$ is a Hilbert space, and the following decomposition holds :

$$\mathcal{H}_{\hat{\alpha}} = \frac{\overline{\mathcal{LT}_0^\omega}}{\mathcal{N}_{\hat{\alpha}}} \oplus J^\omega,$$

where $\overline{\mathcal{LT}_0^\omega}/\mathcal{N}_{\hat{\alpha}}$ is the closure of $\mathcal{LT}_0^\omega/\mathcal{N}_{\hat{\alpha}}$ w.r.t. $\ll \cdot \gg_{\hat{\alpha}}$ and $J^\omega = j^\omega \cdot \mathbb{R}^2 + j \cdot \mathbb{R}^2 \subset \mathcal{T}_0^\omega$ is the linear span of the currents defined in equation (5.2).

This decomposition is represented in Figure 11

Proof of Proposition 6.32. — First note that if $\alpha = 0$ or 1 , $\ll \cdot \gg_{\hat{\alpha}} \equiv 0$ and therefore $\mathcal{H}_{\hat{\alpha}} = \{0\}$ is trivial. We now assume that $\hat{\alpha}$ is such that $\alpha \in]0, 1[$.

Since we took the quotient by $\mathcal{N}_{\hat{\alpha}}$, the fact that $(\mathcal{H}_{\hat{\alpha}}, \ll \cdot \gg_{\hat{\alpha}}^{1/2})$ is a Hilbert space is immediate. The first inclusion

$$\mathcal{H}_{\hat{\alpha}} \supset \frac{\overline{\mathcal{LT}_0^\omega}}{\mathcal{N}_{\hat{\alpha}}} \oplus J^\omega$$

is immediate, since $\mathcal{LT}_0^\omega \subset \mathcal{T}_0^\omega$ and since the currents are also in \mathcal{T}_0^ω . Regarding the reverse inclusion, since $\frac{\overline{\mathcal{LT}_0^\omega}}{\mathcal{N}_{\hat{\alpha}}} \oplus J^\omega$ is a closed linear subspace of $\mathcal{H}_{\hat{\alpha}}$, we have

$$\mathcal{H}_{\hat{\alpha}} = \left(\frac{\overline{\mathcal{LT}_0^\omega}}{\mathcal{N}_{\hat{\alpha}}} + J^\omega \right) \oplus \left(\frac{\overline{\mathcal{LT}_0^\omega}}{\mathcal{N}_{\hat{\alpha}}} + J^\omega \right)^\perp,$$

therefore we only need to prove that $\left(\frac{\overline{\mathcal{LT}_0^\omega}}{\mathcal{N}_{\hat{\alpha}}} + J^\omega \right)^\perp = \{0\}$. To do so, assume that there exists a function $h \in \mathcal{T}_0^\omega$ such that $\ll h, \mathcal{L}g + j^{a,b} \gg_{\hat{\alpha}} = 0$, then by (6.98), we obtain that $\ll h \gg_{\hat{\alpha}} = 0$, therefore $h = 0$ in $\mathcal{H}_{\hat{\alpha}}$. The reverse inclusion thus holds.

To prove that the sum is direct, consider a function h in the intersection. Assume that

$$h = j^{a^h, b^h} = \mathcal{L}g_h$$

for some cylinder function $g_h \in \mathcal{T}_0^\omega$ and $a^h, b^h \in \mathbb{R}^2$. Thanks to equation (6.103), we can thus write

$$\ll \delta_i \xi_0^p, h \gg_{\hat{\alpha}} = \ll \delta_i \xi_0^p, j^{a^h, b^h} \gg_{\hat{\alpha}} = \ll \delta_i \xi_0^p, \mathcal{L}g_h \gg_{\hat{\alpha}} = 0.$$

Since we assumed that $0 < \alpha < 1$, this identity together with (6.102) yields in the limit $p \rightarrow \infty$

$$(6.108) \quad a_i^h \alpha \text{Var}_{\hat{\alpha}}(\omega) = 0.$$

— If $\text{Var}_{\hat{\alpha}}(\omega) = 0$, in $\mathcal{H}_{\hat{\alpha}}$, $j^\omega = \mathbb{E}_{\hat{\alpha}}(\omega)j_i$, therefore $J^\omega = \mathbb{R}^2 \cdot j$ in $\mathcal{H}_{\hat{\alpha}}$, which is orthogonal to \mathcal{LT}_0^ω according to (6.103), and the sum is direct.

— If $Var_{\hat{\alpha}}(\omega) \neq 0$, and since we assumed $\alpha \neq 0$, (6.108) yields $a_i^h = 0$, therefore $h = \mathcal{L}g_h = b^h \cdot j$. According to (6.103), h is thus self-orthogonal, and vanishes.

In both cases, the sum is direct, which concludes the proof of Proposition 6.32. \square

The next Proposition states that we can indeed write the currents j_i^ω as combination of gradients, up to a function which takes the form $\mathcal{L}g$, and that the coefficients converge as $p \rightarrow \infty$ to those given in (6.101).

Proposition 6.33 (Decomposition of the currents). — Fix $i \in 1, 2$ and $\hat{\alpha} \in \mathcal{M}_1(\mathbb{S})$. For any $p \in \mathbb{N}^*$, there exists two coefficients $c_p(\hat{\alpha})$ and $d_p(\hat{\alpha}) \in \mathbb{R}$, such that

$$(6.109) \quad \inf_{g \in \mathcal{T}_0^\omega} \ll j_i^\omega + c_p(\hat{\alpha})\delta_i\xi_0^p + d_p(\hat{\alpha})\delta_i\eta_0 + \mathcal{L}g \gg_{\hat{\alpha}} = 0.$$

Furthermore,

$$(6.110) \quad c_p(\hat{\alpha}) \xrightarrow[p \rightarrow \infty]{} d_s(\alpha) \quad \text{and} \quad d_p(\hat{\alpha}) \xrightarrow[p \rightarrow \infty]{} \mathbb{E}_{\hat{\alpha}}(\omega),$$

and for any positive ϵ , this convergence is uniform on

$$\mathcal{M}_\epsilon(\mathbb{S}) := \{ \hat{\alpha} \in \mathcal{M}_1(\mathbb{S}), \quad \alpha < 1 - \epsilon \}.$$

Finally, any sequence $(g_m)_m$ ultimately realizing (6.109) can be chosen independently of p , and also ultimately realizes

$$(6.111) \quad \inf_{g \in \mathcal{T}_0^\omega} \ll j_i^\omega + \mathcal{L}g \gg_{\hat{\alpha}}.$$

Remark 6.34. — We can now explain the reason behind the change of variable $\delta_i\eta_0^{\omega,p} \mapsto \delta_i\xi^p$. The basic idea is that even when ω is not degenerate, for an infinite number of angle measures $\hat{\alpha} \in \mathcal{M}_1(\mathbb{S})$, we may have $Var_{\hat{\alpha}}(\omega) = 0$. To justify this statement, assume for example that for some arbitrary angles θ and θ' , we have $\omega(\theta) = \omega(\theta')$. Then, for any α and α' such that $\alpha + \alpha' \leq 1$, any measure $\hat{\alpha} = \alpha\delta_\theta + \alpha'\delta_{\theta'} \in \mathcal{M}_1(\mathbb{S})$ will verify $Var_{\hat{\alpha}}(\omega) = 0$. Note that for any such $\hat{\alpha}$, we can write in $\mathcal{H}_{\hat{\alpha}}$

$$j^\omega = \mathbb{E}_{\hat{\alpha}}(\omega)j,$$

because ω is constant w.r.t $\hat{\alpha}$. Assuming then that there exists a decomposition

$$\delta_i\eta_0^{\omega,p} + aj_i + bj_i^\omega + \mathcal{L}f = 0$$

in $\mathcal{H}_{\hat{\alpha}}$, this decomposition is by no means unique if $Var_{\hat{\alpha}}(\omega) = 0$. This degenerate case poses some issues to invert this decomposition and obtain equation (6.109). More precisely, without the change of variable, writing

$$\inf_{g \in \mathcal{T}_0^\omega} \ll j_i^\omega + \tilde{c}_p(\hat{\alpha})\delta_i\eta_0^{\omega,p} + \tilde{d}_p(\hat{\alpha})\delta_i\eta_0 + \mathcal{L}g \gg_{\hat{\alpha}} = 0,$$

both coefficients $\tilde{d}_p(\hat{\alpha})$ and $\tilde{c}_p(\hat{\alpha})$ can diverge as $Var_{\hat{\alpha}}(\omega) \rightarrow 0$. In fact, however, these two infinite coefficients cancel out, and the system does not really degenerate as $Var_{\hat{\alpha}} \rightarrow 0$. To circumvent this (apparent) issue, the "right" way to obtain coefficients $c_p(\hat{\alpha})$ and $d_p(\hat{\alpha})$ which are continuous in $\hat{\alpha}$ even when $Var_{\hat{\alpha}}(\omega) \rightarrow 0$ is to perform the change of variable $\delta_i\eta_0^{\omega,p} \mapsto \delta_i\xi^p$, which expresses j_i^ω as a constant term in θ , namely $\mathbb{E}_{\hat{\alpha}}(\omega)j_i$, and a fluctuating term $d_s(\alpha)\delta_i\xi_0^p$ with mean 0 in θ , up to a perturbation $\mathcal{L}f$.

Proof of Proposition 6.33. — We start by proving the last statement, which is immediate and will be needed later on. Since the gradients are orthogonal to the $\mathcal{L}g$'s, we can rewrite for any $g \in \mathcal{T}_0$ the quantity in (6.109) as

$$\begin{aligned} \ll j_i^\omega + c_p(\hat{\alpha})\delta_i\xi_0^p + d_p(\hat{\alpha})\delta_i\eta_0 + \mathcal{L}g \gg_{\hat{\alpha}} &= \ll j_i^\omega + \mathcal{L}g \gg_{\hat{\alpha}} \\ &+ 2 \ll j_i^\omega, c_p(\hat{\alpha})\delta_i\xi_0^p + d_p(\hat{\alpha})\delta_i\eta_0 \gg_{\hat{\alpha}} + \ll c_p(\hat{\alpha})\delta_i\xi_0^p + d_p(\hat{\alpha})\delta_i\eta_0 \gg_{\hat{\alpha}}. \end{aligned}$$

The second line does not depend on g , therefore any sequence which ultimately realizes the infimum of the first line of the right-hand side above also realizes the infimum of the left-hand side, and vice-versa, and such a sequence can be chosen independently of p , which proves the last statement.

We now turn to the main identity, namely (6.109). Once again, we start by clearing out the trivial cases when $\hat{\alpha}$ is such that $\alpha = 0$ and $\alpha = 1$. In those, all quantities vanish and (6.109) and (6.110) are trivially true for $c_p(\hat{\alpha}) = d_s(\alpha)$ and $d_p(\hat{\alpha}) = \mathbb{E}_{\hat{\alpha}}(\omega)$. We now consider $\hat{\alpha} \in \mathcal{M}_1(\mathbb{S})$ such that $\alpha \in]0, 1[$.

Fix $p \in \mathbb{N}$, we now prove that (6.109) holds for some well-chosen coefficients c_p and d_p . The function $\delta_i \xi_0^p$ is in $\mathcal{H}_{\hat{\alpha}}$, therefore according to Proposition 6.32, there exists a^p and b^p in \mathbb{R}^2 such that,

$$(6.112) \quad \inf_{g \in \mathcal{T}_0^\omega} \ll \delta_i \xi_0^p + j^{a^p, b^p} + \mathcal{L}g \gg_{\hat{\alpha}} = 0.$$

In order to clarify the proofs, we will sometimes assume that the infimum in g is reached, i.e. that there exists a function $g_p \in \mathcal{T}_0^\omega$ such that

$$(6.113) \quad \ll \delta_i \xi_0^p + j^{a^p, b^p} + \mathcal{L}g_p \gg_{\hat{\alpha}} = 0.$$

This assumption is purely for convenience, and we can substitute at any time to g^p a sequence of functions $(g_m^p)_{m \in \mathbb{N}}$ such that the previous identity holds in the limit $m \rightarrow \infty$.

We first want to prove that the contribution of the currents in the direction $k \neq i$ in the decomposition (6.113) vanishes. Consider some index $k \neq i$, we now show that $a_k^p j_k^\omega + b_k^p j_k = 0$. Recall that we introduced in Remark 6.29 the generator $\mathcal{L}^{(i)}$ with jumps only in the direction i . We now take the inner product of the quantity in (6.113) with $a_k^p j_k^\omega + b_k^p j_k + \mathcal{L}^{(k)}g_p$, with respect to which $\delta_i \xi_0^p$, j_i^ω , j_i and $\mathcal{L}^{(i)}g_p$ are orthogonal according to Remark 6.29 and Corollary 6.31, and because $i \neq k$. This yields

$$\ll \delta_i \xi_0^p + j^{a^p, b^p} + \mathcal{L}g_p, a_k^p j_k^\omega + b_k^p j_k + \mathcal{L}^{(k)}g_p \gg_{\hat{\alpha}} = \ll a_k^p j_k^\omega + b_k^p j_k + \mathcal{L}^{(k)}g_p \gg_{\hat{\alpha}} = 0.$$

In the last identity, we obtained that some quantity of the form $\mathcal{L}f$ is equal to a combination of currents. We can repeat the proof given in Proposition 6.32 that the sum of the two spaces was direct, to obtain that $a_k^p j_k^\omega + b_k^p j_k = 0$, which is what we wanted to prove.

We now drop our assumption that the infimum was reached. Since we proved that the currents in the direction $k \neq i$ vanish, Equation (6.112) becomes

$$(6.114) \quad \inf_{g \in \mathcal{T}_0^\omega} \ll \delta_i \xi_0^p + a_i^p(\hat{\alpha})j_i^\omega + b_i^p(\hat{\alpha})j_i + \mathcal{L}g \gg_{\hat{\alpha}} = 0.$$

We first consider the possibility that $a_i^p(\hat{\alpha}) = 0$, and prove that it implies $Var_{\hat{\alpha}}(\omega) = 0$. In this case, since both $\delta_i \xi_0^p$ and $j_i = -\delta_i \eta_0$ are orthogonal to $\mathcal{L}g$ in $\mathcal{H}_{\hat{\alpha}}$ by equation (6.103), we could write

$$\ll \delta_i \xi_0^p + b_i^p(\hat{\alpha})j_i \gg_{\hat{\alpha}} = 0.$$

Taking the inner product of this quantity w.r.t. j_i^ω and j_i , we obtain according to Proposition 6.27 and Corollary 6.31 the two identities

$$-\alpha Var_{\hat{\alpha}}(\omega) P_p(\hat{\alpha}) + \alpha_\omega^2 (1 - \alpha) \alpha^{p'-3} + b_i^p(\hat{\alpha}) \alpha_\omega (1 - \alpha) = 0 \quad \text{and} \quad \alpha_\omega (1 - \alpha) \alpha^{p'-2} + b_i^p(\hat{\alpha}) \alpha (1 - \alpha).$$

Multiplying the second identity by $\mathbb{E}_{\hat{\alpha}}$ and subtracting it to the first, we obtain that $a_i^p(\hat{\alpha}) = 0$ if and only if

$$\alpha Var_{\hat{\alpha}}(\omega) P_p(\hat{\alpha}) = 0.$$

We already cleared out the special cases $\alpha = 0$ and $\alpha = 1$, thus the only remaining possibility to have $a_i^p = 0$ is $Var_{\hat{\alpha}}(\omega) = 0$. We show at the end of the proof that if this is the case, the decomposition (6.109) is not unique, but one can choose the coefficients c_p and d_p so that (6.110) holds uniformly on $\mathcal{M}_\epsilon(\mathbb{S})$.

We can therefore assume that $a_i^p \neq 0$ and since $j_i = -\delta_i \eta_0$, we can rewrite (6.114)

$$(6.115) \quad \inf_{g \in \mathcal{T}_0^\omega} \ll j_i^\omega + \frac{1}{a_i^p(\hat{\alpha})} \delta_i \xi_0^p - \frac{b_i^p(\hat{\alpha})}{a_i^p(\hat{\alpha})} \delta_i \eta_0 + \mathcal{L}g \gg_{\hat{\alpha}} = 0.$$

Denoting $c_p(\hat{\alpha}) = 1/a_i^p$ and $d_p(\hat{\alpha}) = -b_i^p/a_i^p$ proves equation (6.109).

We now prove that the coefficients c_p and d_p converge. Once again, we assume for convenience that the infimum in (6.109) is reached by a function g_p which allows us in particular to write

$$\ll j_i^\omega + c_p \delta_i \xi_0^p + d_p \delta_i \eta_0 + \mathcal{L}g_p, j_i^\omega + \mathcal{L}g_p \gg_{\hat{\alpha}} = 0,$$

which is a restatement in $\mathcal{H}_{\hat{\alpha}}$ of $\ll 0, j_i^\omega + \mathcal{L}g_p \gg_{\hat{\alpha}} = 0$. Since by equation (6.109), the gradients are orthogonal to the currents, this identity can be rewritten

$$\ll j_i^\omega + \mathcal{L}g_p \gg_{\hat{\alpha}} = -c_p \ll \delta_i \xi_0^p, j_i^\omega \gg_{\hat{\alpha}} - d_p \ll \delta_i \eta_0, j_i^\omega \gg_{\hat{\alpha}}.$$

Taking now the inner product of $j_i^\omega + c_p \delta_i \xi_0^p + d_p \delta_i \eta_0 + \mathcal{L}g_p$ with j_i , we also obtain

$$\ll j_i^\omega + \mathcal{L}g_p, j_i \gg_{\hat{\alpha}} = \ll j_i^\omega, j_i \gg_{\hat{\alpha}} = -c_p \ll \delta_i \xi_0^p, j_i \gg_{\hat{\alpha}} - d_p \ll \delta_i \eta_0, j_i \gg_{\hat{\alpha}}.$$

These two identities can be written in matrix form, since we already established that the functions realizing the infimums (6.109) and (6.111) coincide,

$$(6.116) \quad \begin{pmatrix} \inf_{g \in \mathcal{T}_0^\omega} \ll j_i^\omega + \mathcal{L}g \gg_{\hat{\alpha}} \\ \ll j_i^\omega, j_i \gg_{\hat{\alpha}} \end{pmatrix} = A_p(\hat{\alpha}) \begin{pmatrix} c_p(\hat{\alpha}) \\ d_p(\hat{\alpha}) \end{pmatrix},$$

where

$$A_p(\hat{\alpha}) = - \begin{pmatrix} \ll \delta_i \xi_0^p, j_i^\omega \gg_{\hat{\alpha}} & \ll \delta_i \eta_0, j_i^\omega \gg_{\hat{\alpha}} \\ \ll \delta_i \xi_0^p, j_i \gg_{\hat{\alpha}} & \ll \delta_i \eta_0, j_i \gg_{\hat{\alpha}} \end{pmatrix}.$$

Each coefficient of the matrix $A_p(\hat{\alpha})$ is explicitly known, according to Proposition 6.27 and Corollary 6.31, and we can therefore write

$$A_p(\hat{\alpha}) = \begin{pmatrix} \alpha \text{Var}_{\hat{\alpha}}(\omega) P_p(\alpha) - \mathbb{E}_{\hat{\alpha}}(\omega)^2 (1-\alpha) \alpha^{p'-1} & \alpha_\omega (1-\alpha) \\ -\mathbb{E}_{\hat{\alpha}}(\omega) (1-\alpha) \alpha^{p'-1} & \chi = \alpha(1-\alpha) \end{pmatrix}.$$

Elementary computations also yield

$$(6.117) \quad \text{Det}(A_p(\hat{\alpha})) = \alpha^2 (1-\alpha) \text{Var}_{\hat{\alpha}}(\omega) P_p(\alpha),$$

which is non-zero as soon as $\alpha \neq 0, 1$ and $\text{Var}_{\hat{\alpha}}(\omega) \neq 0$. If $\hat{\alpha}$ meets these two conditions, we can then rewrite equation (6.116) as

$$(6.118) \quad \begin{pmatrix} c_p(\hat{\alpha}) \\ d_p(\hat{\alpha}) \end{pmatrix} = A_p^{-1}(\hat{\alpha}) \begin{pmatrix} \inf_{g \in \mathcal{T}_0^\omega} \ll j_i^\omega + \mathcal{L}g \gg_{\hat{\alpha}} \\ \ll j_i^\omega, j_i \gg_{\hat{\alpha}} \end{pmatrix}.$$

The matrix $A_p^{-1}(\hat{\alpha})$ is explicitly known, as well as $\ll j_i^\omega, j_i \gg_{\hat{\alpha}} = \alpha_\omega (1-\alpha)$, therefore the only missing coefficient to compute c_p and d_p is $\inf_{g \in \mathcal{T}_0^\omega} \ll j_i^\omega + \mathcal{L}g \gg_{\hat{\alpha}}$, which is given by the following Lemma.

Lemma 6.35. — *For any $\hat{\alpha} \in \mathcal{M}_1(\mathbb{S})$,*

$$\inf_{g \in \mathcal{T}_0^\omega} \ll j_i^\omega + \mathcal{L}g \gg_{\hat{\alpha}} = \mathfrak{s}^\omega(\hat{\alpha}),$$

where the conductivity coefficient \mathfrak{s}^ω is given by

$$(6.119) \quad \mathfrak{s}^\omega(\hat{\alpha}) = \mathbb{E}_{\hat{\alpha}}(\omega) \alpha_\omega (1-\alpha) + \alpha \text{Var}_{\hat{\alpha}}(\omega) d_s(\alpha).$$

The proof of Lemma 6.35 is postponed for now, in order to complete the proof of Lemma 6.33.

Thanks to Lemma 6.35, we can now rewrite (6.118) as

$$\begin{pmatrix} c_p(\hat{\alpha}) \\ d_p(\hat{\alpha}) \end{pmatrix} = \frac{1}{\text{Det}(A_p(\hat{\alpha}))} \begin{pmatrix} \alpha(1-\alpha) & -\alpha_\omega(1-\alpha) \\ \mathbb{E}_{\hat{\alpha}}(\omega)(1-\alpha)\alpha^{p'-1} & \alpha \text{Var}_{\hat{\alpha}}(\omega) P_p(\alpha) - \mathbb{E}_{\hat{\alpha}}(\omega)^2 (1-\alpha)\alpha^{p'-1} \end{pmatrix} \\ \times \begin{pmatrix} \mathbb{E}_{\hat{\alpha}}(\omega) \alpha_\omega (1-\alpha) + \alpha \text{Var}_{\hat{\alpha}}(\omega) d_s(\alpha) \\ \alpha_\omega (1-\alpha) \end{pmatrix}.$$

Using (6.117) for $\text{Det}(A_p(\hat{\alpha}))$, computing the matrix product above finally yields

$$(6.120) \quad c_p(\hat{\alpha}) = \frac{d_s(\alpha)}{P_p(\alpha)} \quad \text{and} \quad d_p(\hat{\alpha}) = \mathbb{E}_{\hat{\alpha}}(\omega) \left[1 + \frac{d_s(\alpha) \alpha^{p'-1}}{P_p(\alpha)} \right].$$

In the cases where $\alpha = 0$ or $\text{Var}_{\hat{\alpha}}(\omega) = 0$, the matrix A_p is no longer invertible. However, we leave to the reader to verify that the coefficients c_p and d_p given by (6.120) are still solution of (6.116), even though this solution is not unique. In those cases, we can therefore choose c_p and d_p as in (6.120). This continuity as $\text{Var}_{\hat{\alpha}}(\omega)$ vanishes is, as explained in Remark 6.34, the reason for the change of variable $\delta_i \eta_0^{\omega, p} \mapsto \delta_i \xi_0^p$. Since $P_p(\alpha)$ converges uniformly to 1 if α is bounded away from 1, c_p and d_p converge uniformly on

$$\mathcal{M}_\epsilon(\mathbb{S}) := \{ \hat{\alpha} \in \mathcal{M}_1(\mathbb{S}), \quad \alpha < 1 - \epsilon \},$$

towards $d_s(\alpha)$ and $\mathbb{E}_{\hat{\alpha}}(\omega)$, which completes the proof of Proposition 6.33. \square

Remark 6.36 (Stokes-Einstein Relation). — Letting p go to ∞ , equation (6.116) becomes the Stokes-Einstein relation

$$(6.121) \quad \begin{pmatrix} \inf_{g \in \mathcal{T}_0^\omega} \ll j_i^\omega + \mathcal{L}g \gg_{\hat{\alpha}} \\ \inf_{g \in \mathcal{T}_0^\omega} \ll j_i + \mathcal{L}g \gg_{\hat{\alpha}} \end{pmatrix} = \mathcal{X} \begin{pmatrix} d_s(\hat{\alpha}) \\ \mathbb{E}_{\hat{\alpha}}(\omega) \end{pmatrix},$$

where \mathcal{X} is the compressibility of the system, and can be written as the limit $p \rightarrow \infty$ of the matrix A_p , $d_s(\hat{\alpha})$ and $\mathbb{E}_{\hat{\alpha}}(\omega)$ are the diffusion coefficients, and $\inf_{g \in \mathcal{T}_0^\omega} \ll j_i^\omega + \mathcal{L}g \gg_{\hat{\alpha}}$ and $\inf_{g \in \mathcal{T}_0^\omega} \ll j_i + \mathcal{L}g \gg_{\hat{\alpha}} = \alpha(1 - \alpha)$ are the conductivity coefficients. Note that the diffusion and conductivity coefficients are not those presented in equation (2.12) because of our change of coordinates

$$\begin{pmatrix} \delta_i \eta_0^{\omega, p} \\ \delta_i \eta_0 \end{pmatrix} \mapsto \begin{pmatrix} \delta_i \xi_0^p \\ \delta_i \eta_0 \end{pmatrix}.$$

Note that the Stokes-Einstein relation is a matrix identity, and not a vector identity like (6.121). In fact, the matrix identity also holds, however we only wrote the part of the relation which was relevant in our context, the omitted part being trivial.

Before proving Lemma 6.35, we state the following elementary Corollary of Proposition 6.33.

Corollary 6.37. — *There exists a constant C depending only on ω , such that for any $\hat{\alpha} \in \mathcal{M}_1(\mathbb{S})$ and any integer p ,*

$$\ll \delta_i \xi^p \gg_{\hat{\alpha}} \leq C.$$

Proof of Corollary 6.37. — The proof of this result follows directly from that of Proposition 6.33. We obtained in the latter that

$$(6.122) \quad \inf_{g \in \mathcal{T}_0^\omega} \ll \delta_i \xi_0^p + a^p(\hat{\alpha})j_i^\omega + b^p(\hat{\alpha})j_i + \mathcal{L}g \gg_{\hat{\alpha}} = 0,$$

and by construction, $c_p = 1/a^p$ and $d_p = -b^p/a^p$, where c_p and b_p are given for any $\hat{\alpha}$ such that $\alpha \neq 1$ by (6.120).

Thanks to (6.120), this yields

$$a_p(\hat{\alpha}) = \frac{P_p(\alpha)}{d_s(\alpha)} \quad \text{and} \quad b_p(\hat{\alpha}) = \mathbb{E}_{\hat{\alpha}}(\omega) \left[\frac{P_p(\alpha)}{d_s(\alpha)} + \alpha^{p'-1} \right].$$

Elementary computations show that $P_p(\alpha) = o_{\alpha \rightarrow 1}(1 - \alpha)$, and $d_s(\alpha)$ is bounded from below by $c(1 - \alpha)$ according to Proposition A.3. We therefore obtain that if $\alpha \neq 1$ both $a_p(\hat{\alpha})$ and $b_p(\hat{\alpha})$ are bounded uniformly in $\hat{\alpha}$ and p by some constant C' depending only on ω .

Once again, we assume for the sake of clarity that the infimum (6.122) is reached by a function g_p . Since by (6.103) $\delta_i \xi_0^p$ is orthogonal to $\mathcal{L}g_p$, we can write

$$\ll \delta_i \xi_0^p \gg_{\hat{\alpha}} + \ll \mathcal{L}g_p \gg_{\hat{\alpha}} = \ll \delta_i \xi_0^p + \mathcal{L}g_p \gg_{\hat{\alpha}} = \ll a^p(\hat{\alpha})j_i^\omega + b^p(\hat{\alpha})j_i \gg_{\hat{\alpha}}.$$

Since the coefficients a_p and b_p are bounded uniformly in $\hat{\alpha}$, all quantities above being non-negative, we finally obtain that for any $\hat{\alpha}$ such that $\alpha \neq 1$

$$(6.123) \quad \ll \delta_i \xi_0^p \gg_{\hat{\alpha}} \leq a^p(\hat{\alpha})^2 \ll j_i^\omega \gg_{\hat{\alpha}} + b^p(\hat{\alpha})^2 \ll j_i \gg_{\hat{\alpha}}$$

$$(6.124) \quad \leq C(\omega).$$

Since when $\alpha = 1$, $\ll \delta_i \xi^p \gg_{\hat{\alpha}} = 0$, this concludes the proof of the Lemma. \square

We now prove Lemma 6.35, whose proof was postponed.

Proof of Lemma 6.35. — Once again, we first consider the trivial case $\alpha = 0$ or 1 . Since $d_s(1) = 0$, in the latter case, Lemma 6.35 is trivially true, because both sides of the identity vanish.

We now assume that $\alpha \in]0, 1[$. Denote

$$\omega_0 = \omega - \mathbb{E}_{\hat{\alpha}}(\omega),$$

and consider the mean-zero current

$$j_i^{\omega_0} = (\omega(\theta_0) - \mathbb{E}_{\hat{\alpha}}(\omega))\eta_0(1 - \eta_{e_i}) - (\omega(\theta_{e_i}) - \mathbb{E}_{\hat{\alpha}}(\omega))\eta_{e_i}(1 - \eta_0),$$

we have $\ll j_i, j_i^{\omega_0} \gg_{\hat{\alpha}} = 0$. This last statement is a consequence of Proposition 6.27, which yields

$$\ll j_i, j_i^{\omega_0} \gg_{\hat{\alpha}} = \underbrace{\mathbb{E}_{\hat{\alpha}}(\omega_0)}_{=0} \ll j_i \gg_{\hat{\alpha}} = 0.$$

Note that ω_0 depends on $\hat{\alpha}$, but since in this proof $\hat{\alpha}$ is fixed in $\mathcal{M}_1(\mathbb{S})$, it is not an issue. Since $j_i^{\omega} = j_i^{\omega_0} + \mathbb{E}_{\hat{\alpha}}(\omega)j_i$, we can now write

$$\begin{aligned} \mathfrak{s}^{\omega} &= \inf_{g \in \mathcal{T}_0^{\omega}} \ll j_i^{\omega} + \mathcal{L}g \gg_{\hat{\alpha}} = \inf_{g \in \mathcal{T}_0^{\omega}} \ll \mathbb{E}_{\hat{\alpha}}(\omega)j_i + j_i^{\omega_0} + \mathcal{L}g \gg_{\hat{\alpha}} \\ &= \ll \mathbb{E}_{\hat{\alpha}}(\omega)j_i \gg_{\hat{\alpha}} + \inf_{g \in \mathcal{T}_0^{\omega}} \ll j_i^{\omega_0} + \mathcal{L}g \gg_{\hat{\alpha}} \\ (6.125) \quad &= \mathbb{E}_{\hat{\alpha}}(\omega)\alpha_{\omega}(1 - \alpha) + \inf_{g \in \mathcal{T}_0^{\omega}} \ll j_i^{\omega_0} + \mathcal{L}g \gg_{\hat{\alpha}}. \end{aligned}$$

Note that the computation above guarantees that any sequence of functions g_m ultimately realizing $\inf_g \ll j_i^{\omega} + \mathcal{L}g \gg_{\hat{\alpha}}$ also realizes $\inf_g \ll j_i^{\omega_0} + \mathcal{L}g \gg_{\hat{\alpha}}$.

In order to prove Lemma 6.35, it is therefore sufficient to show that

$$\inf_{g \in \mathcal{T}_0} \ll j_i^{\omega_0} + \mathcal{L}g \gg_{\hat{\alpha}} = \alpha \text{Var}_{\hat{\alpha}}(\omega) d_s(\alpha).$$

Recall from Proposition 6.27 that

$$\ll j^{a,b} + \mathcal{L}g \gg_{\hat{\alpha}} = \left\| \mathbf{j}^{a,b} + \nabla \Sigma_g \right\|_{2, \hat{\alpha}}^2,$$

therefore, since $j_i^{\omega_0}$ is indeed of the form $j^{a,b}$ for $a = e_i$ and $b = -\mathbb{E}_{\hat{\alpha}}(\omega)e_i$ (here, we identified for the convenience of notations a and b with vectors of \mathbb{R}^2),

$$\ll j_i^{\omega_0} + \mathcal{L}g \gg_{\hat{\alpha}} = \mathbb{E}_{\hat{\alpha}} \left(\sum_{i=1}^2 \left[\eta_0^{\omega_0}(1 - \eta_{e_i}) + \nabla_i \sum_{x \in \mathbb{Z}^2} \tau_x g \right]^2 \right).$$

We now need to replace the gradient in the expression above by its symmetric counterpart. The right-hand side above rewrites

$$\begin{aligned} \mathbb{E}_{\hat{\alpha}} \left(\left[\eta_0^{\omega_0}(1 - \eta_{e_i}) + \nabla_i \sum_{x \in \mathbb{Z}^2} \tau_x g \right]^2 \right) &= \mathbb{E}_{\hat{\alpha}} \left(\eta_0(1 - \eta_{e_i}) [\eta_0^{\omega_0} + \Sigma_g(\hat{\eta}^{0,e_i}) - \Sigma_g]^2 \right) \\ &= \frac{1}{2} \mathbb{E}_{\hat{\alpha}} \left(\eta_0(1 - \eta_{e_i}) [\eta_0^{\omega_0} + \Sigma_g(\hat{\eta}^{0,e_i}) - \Sigma_g]^2 \right) \\ &\quad + \frac{1}{2} \mathbb{E}_{\hat{\alpha}} \left(\eta_{e_i}(1 - \eta_0) [\eta_{e_i}^{\omega_0} + \Sigma_g - \Sigma_g(\hat{\eta}^{0,e_i})]^2 \right), \end{aligned}$$

since $\mathbb{E}_{\hat{\alpha}}(f) = [\mathbb{E}_{\hat{\alpha}}(f) + \mathbb{E}_{\hat{\alpha}}(f(\hat{\eta}^{0,e_i}))]/2$. Furthermore, considering that only one of $\eta_0(1 - \eta_{e_i})$ and $\eta_{e_i}(1 - \eta_0)$ can be non-zero, and replacing $\eta_0(1 - \eta_{e_i}) + \eta_{e_i}(1 - \eta_0)$ by $\mathbb{1}_{\{\eta_0\eta_{e_i}=0\}}$ we can rewrite,

$$(6.126) \quad \ll j_i^{\omega_0} + \mathcal{L}g \gg_{\hat{\alpha}} = \frac{1}{2} \mathbb{E}_{\hat{\alpha}} \left(\mathbb{1}_{\{\eta_0\eta_{e_i}=0\}} [\eta_{e_i}^{\omega_0} - \eta_0^{\omega_0} + \Sigma_g(\hat{\eta}^{0,e_i}) - \Sigma_g]^2 \right).$$

Note that T_0^{ω} can also be defined as

$$T_0^{\omega} = \left\{ \sum_{x \in \mathbb{Z}^2} (C_1 \eta_x^{\omega_0} + C_2 \eta_x) \psi_x(\eta), C_1, C_2 \in \mathbb{R}, \text{ and } \psi_x \in \mathcal{S}, \forall x \in \mathbb{T}_N^2 \right\},$$

therefore taking the infimum over $g \in \mathcal{T}_0^{\omega}$ is equivalent to taking the infimum over C_1, C_2 , and the family of angle-blind functions $(\psi_x)_{x \in \mathbb{T}_N^2} \in (\mathcal{S} \cap \mathcal{C}_0)^{\mathbb{T}_N^2}$. Letting $\tilde{\nabla}_i$ denote the symmetric gradient

$$\tilde{\nabla}_i f = \mathbb{1}_{\eta_0\eta_{e_i}=0} (f(\hat{\eta}^{0,e_i}) - f),$$

(6.126) thus yields

$$\inf_{g \in \mathcal{T}_0^\omega} \ll j_i^{\omega_0} + \mathcal{L}g \gg_{\hat{\alpha}} = \frac{1}{2} \inf_{C_1, C_2, \psi_x} \mathbb{E}_{\hat{\alpha}} \left(\left[\mathbb{1}_{\{\eta_0 \eta_{e_i} = 0\}} (\eta_{e_i}^{\omega_0} - \eta_0^{\omega_0}) + C_1 \tilde{\nabla}_i \sum_{x, y \in \mathbb{Z}^2} \tau_y \eta_x^{\omega_0} \psi_x(\eta) \right]^2 \right) + \mathbb{E}_{\hat{\alpha}} \left(\left[C_2 \tilde{\nabla}_i \sum_{x, y \in \mathbb{Z}^2} \tau_y \eta_x \psi_x(\eta) \right]^2 \right).$$

To split the two parts, we simply used that for any $\hat{\alpha} \in \mathcal{M}_1(\mathbb{S})$, any $x \in \mathbb{T}_N^2$, and any angle-blind function Ψ , $\mathbb{E}_{\hat{\alpha}}(\eta_x^{\omega_0} \Psi) = 0$ because the angular dependence of η^{ω_0} in θ_x has mean 0.

We now simply have to chose $C_2 = 0$, and notice that $\sum_{x, y \in \mathbb{Z}^2} \tau_y \eta_x^{\omega_0} \psi_x(\eta) = \sum_{z \in \mathbb{Z}^2} \eta_z^{\omega_0} \tau_z \psi'(\eta)$ for the angle-blind formal sum $\psi' = \sum_{y \in \mathbb{Z}^2} \psi_y \in \mathcal{S}$ (which is well-defined since only a finite number of terms are non-zero), to get that

$$\inf_{g \in \mathcal{T}_0^\omega} \ll j_i^{\omega_0} + \mathcal{L}g \gg_{\hat{\alpha}} = \frac{1}{2} \inf_{\psi'} \mathbb{E}_{\hat{\alpha}} \left(\left[\mathbb{1}_{\{\eta_0 \eta_{e_i} = 0\}} (\eta_{e_i}^{\omega_0} - \eta_0^{\omega_0}) + \tilde{\nabla}_i \sum_{z \in \mathbb{Z}^2} \eta_z^{\omega_0} \tau_z \psi'(\eta) \right]^2 \right).$$

We take the terms $z = 0$ and $z = e_i$ out of the sum, the right-hand side above is equal to

$$(6.127) \quad \frac{1}{2} \inf_{\psi'} \mathbb{E}_{\hat{\alpha}} \left(\left[\mathbb{1}_{\{\eta_0 \eta_{e_i} = 0\}} (\eta_{e_i}^{\omega_0} - \eta_0^{\omega_0}) + \tilde{\nabla}_i \eta_0^{\omega_0} \psi' + \tilde{\nabla}_i \eta_{e_i}^{\omega_0} \tau_{e_i} \psi' + \tilde{\nabla}_i \sum_{z \in \mathbb{Z}^2 \setminus \{0, e_i\}} \eta_z^{\omega_0} \tau_z \psi' \right]^2 \right).$$

For any $z \in \mathbb{Z}^2 \setminus \{0, e_i\}$, $\tilde{\nabla}_i \eta_z^{\omega_0} \tau_z \psi'$ is equal to $\eta_z^{\omega_0} \tilde{\nabla}_i \tau_z \psi'$. Furthermore,

$$\tilde{\nabla}_i \eta_0^{\omega_0} \psi' = \mathbb{1}_{\eta_0 \eta_{e_i} = 0} (\eta_{e_i}^{\omega_0} \psi' (\hat{\eta}^{0, e_i}) - \eta_0^{\omega_0} \psi'),$$

and

$$\tilde{\nabla}_i \eta_{e_i}^{\omega_0} \tau_{e_i} \psi' = \mathbb{1}_{\eta_0 \eta_{e_i} = 0} (\eta_0^{\omega_0} \tau_{e_i} \psi' (\hat{\eta}^{0, e_i}) - \eta_{e_i}^{\omega_0} \tau_{e_i} \psi').$$

Regrouping the terms in $\eta_{e_i}^{\omega_0}$ and $\eta_0^{\omega_0}$, (6.127) is equal to

$$\frac{1}{2} \inf_{\psi'} \mathbb{E}_{\hat{\alpha}} \left(\mathbb{1}_{\{\eta_0 \eta_{e_i} = 0\}} \left(\eta_{e_i}^{\omega_0} [1 + \psi' (\hat{\eta}^{0, e_i}) - \tau_{e_i} \psi'] + \eta_0^{\omega_0} [-1 + \tau_{e_i} \psi' (\hat{\eta}^{0, e_i}) - \psi'] + \sum_{z \in \mathbb{Z}^2 \setminus \{0, e_i\}} \eta_z^{\omega_0} \tilde{\nabla}_i \tau_z \psi' \right)^2 \right).$$

For any $z \neq z'$ and any angle-blind function $\psi \in \mathcal{S}$, we have already established in Section 5.2 that

$$\mathbb{E}_{\hat{\alpha}}(\eta_z^{\omega_0} \eta_{z'}^{\omega_0} \psi(\eta)) = 0.$$

The previous quantity now rewrites

$$\inf_{g \in \mathcal{T}_0^\omega} \ll j_i^{\omega_0} + \mathcal{L}g \gg_{\hat{\alpha}} = \frac{1}{2} \inf_{\psi'} \sum_i \mathbb{E}_{\hat{\alpha}} \left((1 - \eta_0) \eta_{e_i}^{\omega_0 2} [1 + \psi' (\hat{\eta}^{0, e_i}) - \tau_{e_i} \psi']^2 \right) + \mathbb{E}_{\hat{\alpha}} \left((1 - \eta_{e_i}) \eta_0^{\omega_0 2} [-1 + \tau_{e_i} \psi' (\hat{\eta}^{0, e_i}) - \psi']^2 \right) + \sum_{z \in \mathbb{Z}^2 \setminus \{0, e_i\}} \mathbb{E}_{\hat{\alpha}} \left(\mathbb{1}_{\{\eta_0 \eta_{e_i} = 0\}} \eta_z^{\omega_0 2} [\tilde{\nabla}_i \tau_z \psi']^2 \right).$$

We translate the first term by $-e_i$, thanks to the translation invariance of $\mathbb{E}_{\hat{\alpha}}$, the former is equal to

$$\frac{1}{2} \inf_{\psi'} \mathbb{E}_{\hat{\alpha}} \left((1 - \eta_{-e_i}) \eta_0^{\omega_0 2} [1 + \tau_{-e_i} [\psi' (\hat{\eta}^{0, e_i})] - \psi']^2 \right) + \mathbb{E}_{\hat{\alpha}} \left((1 - \eta_{e_i}) \eta_0^{\omega_0 2} [-1 + \tau_{e_i} \psi' (\hat{\eta}^{0, e_i}) - \psi']^2 \right) + \sum_{z \in \mathbb{Z}^2 \setminus \{0, e_i\}} \mathbb{E}_{\hat{\alpha}} \left(\mathbb{1}_{\{\eta_0 \eta_{e_i} = 0\}} \eta_z^{\omega_0 2} [\tilde{\nabla}_i \tau_z \psi']^2 \right).$$

Notice that with respect to ψ , we only place on the event $\eta_0^{\omega_0} \neq 0$, (since the last term is translated by z), we can hence only consider the functions ψ independent of η_0 . With that condition, $\psi' (\hat{\eta}^{0, e_i})$ is independent of η_{e_i} , therefore $\tau_{-e_i} [\psi' (\hat{\eta}^{0, e_i})]$ is independent of η_0 . We also have $\tau_{e_i} \psi'$ is independent of η_{e_i} ,

and $\tau_{e_i}\psi'(\widehat{\eta}^{0,e_i})$ is also independent of η_0 . Finally, $\widetilde{\nabla}_i\tau_z\psi'$ is independent of η_z . Elementary computations yield

$$\mathbb{E}((\eta_0^{\omega_0})^2) = \alpha \text{Var}_{\widehat{\alpha}}(\omega),$$

and because the two directions $i = 1$ and $i = 2$ are orthogonal in $\mathcal{H}_{\widehat{\alpha}}$ and play identical roles, the previous quantity now becomes

$$\begin{aligned} \inf_{f \in \mathcal{T}_0^\omega} \ll j_i^{\omega_0} + \mathcal{L}f \gg_{\widehat{\alpha}} &= \frac{1}{2} \inf_{f \in \mathcal{T}_0^\omega} \ll \sum_{k=1}^2 j_k^{\omega_0} + \mathcal{L}f \gg_{\widehat{\alpha}} \\ &= \frac{\alpha \text{Var}_{\widehat{\alpha}}(\omega)}{4} \inf_{\psi'} \left\{ \sum_i \mathbb{E}_{\widehat{\alpha}} \left((1 - \eta_{-e_k}) [1 + \tau_{-e_k} [\psi'(\widehat{\eta}^{0,e_k})] - \psi']^2 \right) \right. \\ &\quad + \mathbb{E}_{\widehat{\alpha}} \left((1 - \eta_{e_k}) [-1 + \tau_{e_k} \psi'(\widehat{\eta}^{0,e_k}) - \psi']^2 \right) \\ &\quad \left. + \sum_{z \in \mathbb{Z}^2 \setminus \{0, e_k\}} \mathbb{E}_{\widehat{\alpha}} \left(\mathbb{1}_{\{\eta_0 \eta_{e_k} = 0\}}^2 [\widetilde{\nabla}_k \tau_z \psi']^2 \right) \right\} \\ &= \alpha \text{Var}_{\widehat{\alpha}}(\omega) d_s(\alpha), \end{aligned}$$

where d_s is the self-diffusion coefficient for which a variational formula is given in Proposition A.2. This completes the proof of Lemma 6.35. \square

We now prove equation (6.89), and thus concludes the proof of Theorem 6.1.

Proposition 6.38 (Uniform bound on the local covariance of $\mathcal{V}_{i,p}^f$)

Identity (6.89) holds, in the sense that

$$\inf_{g \in \mathcal{C}_0} \limsup_{p \rightarrow \infty} \sup_{\widehat{\alpha} \in \mathcal{M}_1(\mathbb{S})} \ll j_i^\omega + d_s(\alpha) \delta_i \xi_0^p + \mathbb{E}_{\widehat{\alpha}}(\omega) \delta_i \eta_0 + \mathcal{L}g \gg_{\widehat{\alpha}} = 0.$$

Proof of Proposition 6.38. — There are two important steps to prove Proposition 6.38. First, for any density $\widehat{\alpha} \in \mathcal{M}_1(\mathbb{S})$, according to Proposition 6.33, a local function $g_{\widehat{\alpha}} \in \mathcal{T}_0^\omega$ such that

$$\ll j_i^\omega + c_p(\widehat{\alpha}) \delta_i \xi_0^p + d_p(\widehat{\alpha}) \delta_i \eta_0 + \mathcal{L}g_{\widehat{\alpha}} \gg_{\widehat{\alpha}} \leq \delta.$$

However, since this function depends on $\widehat{\alpha}$, we still need to construct a cylinder function independent of $\widehat{\alpha}$ which satisfies (6.89).

Furthermore, the diffusion coefficients are not those wanted in Proposition 6.38, and $c_p(\widehat{\alpha})$ and $d_p(\widehat{\alpha})$ do not converge uniformly towards $d_s(\alpha)$ and $\mathbb{E}_{\widehat{\alpha}}(\omega)$ on $\mathcal{M}_1(\mathbb{S})$. This won't be an issue, however, because the quantity above vanishes as α goes to 1 regardless of the diffusion coefficients, and because according to Proposition 6.33, the convergence is uniform on

$$\mathcal{M}_\epsilon(\mathbb{S}) = \{\widehat{\alpha} \in \mathcal{M}_1(\mathbb{S}), \quad \alpha < 1 - \epsilon\},$$

for any ϵ .

The proof being a little bit intricate due to the degenerate case $\alpha \rightarrow 1$, we split it in two Lemmas.

Lemma 6.39. — *For any $\delta > 0$ there exists a cylinder function $f_\delta \in \mathcal{C}_0$ such that for any $\epsilon > 0$*

$$\lim_{p \rightarrow \infty} \sup_{\widehat{\alpha} \in \mathcal{M}_\epsilon(\mathbb{S})} \ll j_i^\omega + c_p(\widehat{\alpha}) \delta_i \xi_0^p + d_p(\widehat{\alpha}) \delta_i \eta_0 + \mathcal{L}f_\delta \gg_{\widehat{\alpha}} \leq 3\delta.$$

Furthermore, there exists a constant C such that for any $\widehat{\alpha} \in \mathcal{M}_1(\mathbb{S})$,

$$(6.128) \quad \left| \ll j_i^\omega + \mathcal{L}f_\delta \gg_{\widehat{\alpha}} - \inf_{g \in \mathcal{T}_0^\omega} \ll j_i^\omega + \mathcal{L}g \gg_{\widehat{\alpha}} \right| \leq C\delta.$$

Lemma 6.40. — *For any $\delta > 0$, consider the cylinder function f_δ defined by Lemma 6.39, there exists $\epsilon = \epsilon_\delta > 0$ such that*

$$\lim_{p \rightarrow \infty} \sup_{\widehat{\alpha} \in \mathcal{M}_1(\mathbb{S}) \setminus \mathcal{M}_\epsilon(\mathbb{S})} \ll j_i^\omega + d_s(\alpha) \delta_i \xi_0^p + \mathbb{E}_{\widehat{\alpha}}(\omega) \delta_i \eta_0 + \mathcal{L}f_\delta \gg_{\widehat{\alpha}} \leq 4\delta.$$

Before proving these two Lemmas, we show that they are sufficient to obtain Proposition 6.38. Fix $\delta > 0$, and consider the $\epsilon = \epsilon_\delta$ given by Lemma 6.40 and f_δ given by Lemma 6.39, we have

$$(6.129) \quad \begin{aligned} \sup_{\widehat{\alpha} \in \mathcal{M}_1(\mathbb{S})} \ll j_i^\omega + d_s(\alpha) \delta_i \xi_0^p + \mathbb{E}_{\widehat{\alpha}}(\omega) \delta_i \eta_0 + \mathcal{L}f_\delta \gg_{\widehat{\alpha}} \\ \leq \sup_{\widehat{\alpha} \in \mathcal{M}_\epsilon(\mathbb{S})} \ll j_i^\omega + d_s(\alpha) \delta_i \xi_0^p + \mathbb{E}_{\widehat{\alpha}}(\omega) \delta_i \eta_0 + \mathcal{L}f_\delta \gg_{\widehat{\alpha}} \\ + \sup_{\widehat{\alpha} \in \mathcal{M}_1(\mathbb{S}) \setminus \mathcal{M}_\epsilon(\mathbb{S})} \ll j_i^\omega + d_s(\alpha) \delta_i \xi_0^p + \mathbb{E}_{\widehat{\alpha}}(\omega) \delta_i \eta_0 + \mathcal{L}f_\delta \gg_{\widehat{\alpha}}. \end{aligned}$$

In the limit $p \rightarrow \infty$, the second term in the right-hand side is bounded by 4δ according to Lemma 6.40.

Regarding the first term in the right hand side, we write by triangular inequality

$$(6.130) \quad \begin{aligned} \sup_{\widehat{\alpha} \in \mathcal{M}_\epsilon(\mathbb{S})} \ll j_i^\omega + d_s(\alpha) \delta_i \xi_0^p + \mathbb{E}_{\widehat{\alpha}}(\omega) \delta_i \eta_0 + \mathcal{L}f_\delta \gg_{\widehat{\alpha}} \\ \leq \sup_{\widehat{\alpha} \in \mathcal{M}_\epsilon(\mathbb{S})} \ll j_i^\omega + c_p(\widehat{\alpha}) \delta_i \xi_0^p + d_p(\widehat{\alpha}) \delta_i \eta_0 + \mathcal{L}f_\delta \gg_{\widehat{\alpha}} \\ + \sup_{\widehat{\alpha} \in \mathcal{M}_\epsilon(\mathbb{S})} \ll (c_p(\widehat{\alpha}) - d_s(\alpha)) \delta_i \xi_0^p + (d_p(\widehat{\alpha}) - \mathbb{E}_{\widehat{\alpha}}(\omega)) \delta_i \eta_0 \gg_{\widehat{\alpha}} \end{aligned}$$

The limit $p \rightarrow \infty$ of the first term in the right-hand side is less than 3δ according to Lemma 6.39. By triangular inequality, the second term is less than

$$\begin{aligned} \sup_{\widehat{\alpha} \in \mathcal{M}_\epsilon(\mathbb{S})} \ll (c_p(\widehat{\alpha}) - d_s(\alpha)) \delta_i \xi_0^p + (d_p(\widehat{\alpha}) - \mathbb{E}_{\widehat{\alpha}}(\omega)) \delta_i \eta_0 \gg_{\widehat{\alpha}} \\ \leq \sup_{\widehat{\alpha} \in \mathcal{M}_\epsilon(\mathbb{S})} \left\{ (c_p(\widehat{\alpha}) - d_s(\alpha))^2 \ll \delta_i \xi_0^p \gg_{\widehat{\alpha}} + (d_p(\widehat{\alpha}) - \mathbb{E}_{\widehat{\alpha}}(\omega))^2 \ll \delta_i \eta_0 \gg_{\widehat{\alpha}} \right\}. \end{aligned}$$

As a consequence of Proposition 6.33 and Corollary 6.37, both $\ll \delta_i \xi_0^p \gg_{\widehat{\alpha}}$ and $\ll \delta_i \eta_0 \gg_{\widehat{\alpha}}$ are bounded uniformly in $\widehat{\alpha} \in \mathcal{M}_1(\mathbb{S})$ and p , whereas c_p and d_p converge uniformly on $\mathcal{M}_\epsilon(\mathbb{S})$, as $p \rightarrow \infty$, to d_s and $\mathbb{E}_{\widehat{\alpha}}(\omega)$. Therefore, as $p \rightarrow \infty$, the second term in the right-hand side of (6.130) vanishes, and

$$(6.131) \quad \lim_{p \rightarrow \infty} \sup_{\widehat{\alpha} \in \mathcal{M}_\epsilon(\mathbb{S})} \ll j_i^\omega + d_s(\alpha) \delta_i \xi_0^p + \mathbb{E}_{\widehat{\alpha}}(\omega) \delta_i \eta_0 + \mathcal{L}f_\delta \gg_{\widehat{\alpha}} \leq 3\delta.$$

This, combined with (6.129), finally yields that

$$\lim_{p \rightarrow \infty} \sup_{\widehat{\alpha} \in \mathcal{M}_1(\mathbb{S})} \ll j_i^\omega + d_s(\alpha) \delta_i \xi_0^p + \mathbb{E}_{\widehat{\alpha}}(\omega) \delta_i \eta_0 + \mathcal{L}f_\delta \gg_{\widehat{\alpha}} \leq 7\delta,$$

which proves Proposition 6.38. \square

We now prove both Lemmas 6.39 and 6.40.

Proof of Lemma 6.39. — For any $\delta > 0$, we want to build a cylinder function $f_\delta \in \mathcal{C}_0$ such that

$$\lim_{p \rightarrow \infty} \sup_{\widehat{\alpha} \in \mathcal{M}_\epsilon(\mathbb{S})} \ll j_i^\omega + c_p(\widehat{\alpha}) \delta_i \xi_0^p + d_p(\widehat{\alpha}) \delta_i \eta_0 + \mathcal{L}f_\delta \gg_{\widehat{\alpha}} \leq \delta.$$

By Theorem 6.25 the application $\widehat{\alpha} \mapsto \ll \psi \gg_{\widehat{\alpha}}$ is continuous on $\mathcal{M}_1(\mathbb{S})$, and thanks to equation (6.89), for any parameter $\widehat{\alpha}_0$, there exists a function $g_{\widehat{\alpha}_0} \in \mathcal{T}_0^\omega$ and a neighborhood $\mathcal{N}_{\widehat{\alpha}_0}$ of $\widehat{\alpha}_0$ such that for any $\widehat{\alpha} \in \mathcal{N}_{\widehat{\alpha}_0}$,

$$\ll j_i^\omega + c_p(\widehat{\alpha}_0) \delta_i \xi_0^p + d_p(\widehat{\alpha}_0) \delta_i \eta_0 + \mathcal{L}g_{\widehat{\alpha}_0} \gg_{\widehat{\alpha}} \leq 2\delta.$$

Furthermore, thanks to the last statement in Proposition 6.33, this function is an approximation of the one realizing $\inf_{g \in \mathcal{T}_0^\omega} \ll j_i^\omega + \mathcal{L}g \gg_{\widehat{\alpha}_0}$, and can be chosen independently of p .

We prove in Proposition B.3 that $\mathcal{M}_1(\mathbb{S})$ is compact, it therefore admits a finite covering $\mathcal{M}_1(\mathbb{S}) \subset \cup_{j=1}^m \mathcal{N}_{\widehat{\alpha}_j}$. We can build a C^2 interpolation of the $g_{\widehat{\alpha}_j}$'s, and therefore obtain a function $(\widehat{\alpha}, \eta) \mapsto \Phi(\widehat{\alpha}, \eta)$ which coincides in $\widehat{\alpha} = \widehat{\alpha}_j$ with $g_{\widehat{\alpha}_j}$, with the two following properties :

- let B be a finite set of edges in \mathbb{Z}^2 containing the support of all the $g_{\widehat{\alpha}_j}$'s, $\Phi(\widehat{\alpha}, \cdot)$ is a cylinder function in \mathcal{T}_0^ω with support included in B for any $\widehat{\alpha} \in \mathcal{M}_1(\mathbb{S})$.
- For any fixed configuration $\widehat{\eta}$, $\Phi(\cdot, \widehat{\eta})$ is in $C^2(\mathcal{M}_1(\mathbb{S}))$.

Furthermore, by construction of Φ and thanks to the continuity in $\hat{\alpha}$ of the diffusion coefficients and ξ_0^p , for any $\hat{\alpha} \in \mathcal{M}_1(\mathbb{S})$

$$(6.132) \quad \ll j_i^\omega + c_p(\hat{\alpha})\delta_i\xi_0^p + d_p(\hat{\alpha})\delta_i\eta_0 + \mathcal{L}\Phi(\hat{\alpha}, \cdot) \gg_{\hat{\alpha}} \leq 2\delta.$$

Recall that we introduced in (2.22) the empirical angle measure

$$\hat{\rho}_r = \frac{1}{|B_r|} \sum_{x \in B_r} \eta_x \delta_{\theta_x}$$

the empirical angle measure in the box of side $(2r+1)$ around the origin. For some fixed large integer r , let us now consider the function

$$f_r(\hat{\eta}) = \Phi(\hat{\rho}_r, \hat{\eta}),$$

which is a function in \mathcal{C}_0 as soon as the support B of the $\Phi(\hat{\alpha}, \eta)$'s are contained in B_r which happens for r large enough. Note that f_r is not necessarily in \mathcal{T}_0 , therefore, $\ll \mathcal{L}f_r \gg_{\hat{\alpha}}$ should a priori be ill-defined. In fact, it is not, because for any $f \in \mathcal{C}_0$, we can define

$$\ll \mathcal{L}f \gg_{\hat{\alpha}} = \sum_i \mathbb{E}_{\hat{\alpha}}((\nabla_i \Sigma_f)^2), \quad \text{and} \quad \ll \mathcal{L}f, g \gg_{\hat{\alpha}} = \mathbb{E}_{\hat{\alpha}}(g \cdot \Sigma f),$$

which is consistent with our prior definition of $\ll \cdot \gg_{\hat{\alpha}}$ on $\mathcal{L}\mathcal{T}_0^\omega$. This problem being purely cosmetic, we therefore keep the same notations as if $\mathcal{L}f_r$ was in $\mathcal{H}_{\hat{\alpha}}$.

By triangle inequality,

$$(6.133) \quad \sup_{\hat{\alpha} \in \mathcal{M}_\epsilon(\mathbb{S})} \ll j_i^\omega + c_p(\hat{\alpha})\delta_i\xi_0^p + d_p(\hat{\alpha})\delta_i\eta_0 + \mathcal{L}f_r \gg_{\hat{\alpha}} \leq 2\delta + \sup_{\hat{\alpha} \in \mathcal{M}_\epsilon(\mathbb{S})} \ll \mathcal{L}(f_r - \Phi(\hat{\alpha}, \cdot)) \gg_{\hat{\alpha}}.$$

The second term in the right-hand side above is explicitly known thanks to Proposition 6.27, and is equal to

$$\sum_i \mathbb{E}_{\hat{\alpha}} \left(\left(\nabla_i \sum_{x \in \mathbb{Z}^2} \tau_x [f_r - \Phi(\hat{\alpha}, \cdot)] \right)^2 \right) = \sum_i \mathbb{E}_{\hat{\alpha}} \left(\left(\sum_{x \in \mathbb{Z}^2} \nabla_{x, x+e_i} [f_r - \Phi(\hat{\alpha}, \cdot)] \right)^2 \right),$$

by translation invariance of $\mu_{\hat{\alpha}}$, and because $\nabla_i \tau_x = \tau_x \nabla_{-x, -x+e_i}$. We extend B by 1 in such a way that for any edge a outside of B , $\nabla_a \Phi(\hat{\alpha}, \cdot)$ vanishes. Therefore, the only contributions outside of B in the sums above are at the boundary of B_l , where f_r has a variation in its first argument of order $(2r+1)^{-2}$. Thanks to the regularity of Φ in $\hat{\alpha}$, and since the number of corresponding edges is roughly $4(2r+1)$, the contribution of all these jumps is of order r^{-1} in the whole sum.

Then, since the number of edges in B depends only on Φ , and since $\mathbb{E}_{\hat{\alpha}}((\nabla_a f)^2) \leq 4\mathbb{E}_{\hat{\alpha}}(f^2)$, we obtain by the definition of f_r that

$$(6.134) \quad \sup_{\hat{\alpha} \in \mathcal{M}_\epsilon(\mathbb{S})} \ll \mathcal{L}(f_r - \Phi(\hat{\alpha}, \cdot)) \gg_{\hat{\alpha}} \leq \sup_{\hat{\alpha} \in \mathcal{M}_\epsilon(\mathbb{S})} C(\Phi) \mathbb{E}_{\hat{\alpha}} \left[(\Phi(\hat{\rho}_r, \cdot) - \Phi(\hat{\alpha}, \cdot))^2 \right] + O(r^{-2}),$$

whose right-hand side vanishes as r goes to infinity by the law of large numbers.

Let us fix r_δ such that the right-hand side of (6.134) is less than δ , and let $f_\delta = f_{r_\delta}$, (6.133) finally yields

$$(6.135) \quad \sup_{\hat{\alpha} \in \mathcal{M}_\epsilon(\mathbb{S})} \ll j_i^\omega + c_p(\hat{\alpha})\delta_i\xi_0^p + d_p(\hat{\alpha})\delta_i\eta_0 + \mathcal{L}f_\delta \gg_{\hat{\alpha}} \leq 3\delta,$$

as wanted. The last statement of the Lemma is a direct consequence of the construction of f_δ and of Proposition 6.33. This concludes the proof of Lemma 6.39. \square

Proof of Lemma 6.40. — We now prove that given $\delta > 0$ and the function f_δ built in Lemma 6.39, there exists a constant C such that

$$\lim_{p \rightarrow \infty} \sup_{\hat{\alpha} \in \mathcal{M}_1(\mathbb{S}) \setminus \mathcal{M}_\epsilon(\mathbb{S})} \ll j_i^\omega + d_s(\alpha)\delta_i\xi_0^p + \mathbb{E}_{\hat{\alpha}}(\omega)\delta_i\eta_0 + \mathcal{L}f_\delta \gg_{\hat{\alpha}} \leq C\epsilon + 3\delta,$$

which proves Lemma 6.40. We first write by triangular inequality

$$\begin{aligned} & \ll j_i^\omega + d_s(\alpha)\delta_i\xi_0^p + \mathbb{E}_{\hat{\alpha}}(\omega)\delta_i\eta_0 + \mathcal{L}f_\delta \gg_{\hat{\alpha}} \\ & \leq \ll \mathcal{L}f_\delta - \mathcal{L}\Phi(\hat{\alpha}, \cdot) \gg_{\hat{\alpha}} + \ll j_i^\omega + d_s(\alpha)\delta_i\xi_0^p + \mathbb{E}_{\hat{\alpha}}(\omega)\delta_i\eta_0 + \mathcal{L}\Phi(\hat{\alpha}, \cdot) \gg_{\hat{\alpha}} \end{aligned}$$

where $\Phi(\hat{\alpha}, \cdot)$ is the function built in the proof of Lemma 6.39. The first term in the right hand side being less than δ by construction of f_δ , we focus on the second term. Using once again the triangular inequality, we can bound it from above by

$$(6.136) \quad \ll j_i^\omega + \mathcal{L}\Phi(\hat{\alpha}, \cdot) \gg_{\hat{\alpha}} + d_s(\alpha)^2 \ll \delta_i\xi_0^p \gg_{\hat{\alpha}} + \mathbb{E}_{\hat{\alpha}}(\omega)^2 \ll \delta_i\eta_0 \gg_{\hat{\alpha}}.$$

For any $\hat{\alpha}$ such that $\alpha > 1 - \epsilon$, $\ll \delta_i\eta_0 \gg_{\hat{\alpha}} = \alpha(1 - \alpha) < \epsilon$, and for some constant C ,

$$d_s(\alpha) \leq C(1 - \alpha) \leq C\epsilon$$

according to Proposition A.3. This yields, $\ll \delta_i\xi_0^p \gg_{\hat{\alpha}}$ being bounded according to Corollary 6.37, that the two last terms in equation (6.136) are bounded from above by $C\epsilon$ for some constant C depending only on ω .

We now turn to the first term in (6.136). For any function f , we can write by triangular inequality

$$\begin{aligned} \ll j_i^\omega + \mathcal{L}\Phi(\hat{\alpha}, \cdot) \gg_{\hat{\alpha}} & \leq \ll j_i^\omega + \mathcal{L}f \gg_{\hat{\alpha}} + \ll j_i^\omega + c_p(\hat{\alpha})\delta_i\xi_0^p + d_p(\hat{\alpha})\delta_i\eta_0 + \mathcal{L}f \gg_{\hat{\alpha}} \\ & \quad + \ll j_i^\omega + c_p(\hat{\alpha})\delta_i\xi_0^p + d_p(\hat{\alpha})\delta_i\eta_0 + \mathcal{L}\Phi(\hat{\alpha}, \cdot) \gg_{\hat{\alpha}}. \end{aligned}$$

We now let f ultimately realize both of the infimums (6.109) and (6.111). The first term above converges according to Lemma 6.35 towards $\mathbb{E}_{\hat{\alpha}}(\omega)\alpha_\omega(1 - \alpha) + \alpha Var_{\hat{\alpha}}(\omega)d_s(\alpha)$. The second term vanishes, whereas the last term is less than 2δ by equation (6.132). Finally, we obtain

$$\ll j_i^\omega + \mathcal{L}\Phi(\hat{\alpha}, \cdot) \gg_{\hat{\alpha}} \leq \alpha Var_{\hat{\alpha}}(\omega)d_s(\alpha) + 2\delta \leq C'\epsilon + 2\delta$$

for some constant C' depending only on ω .

Finally, choosing $\epsilon_\delta = \delta/(C + C')$ concludes the proof of Lemma 6.40. \square

6.9. Drift part of the hydrodynamic limit. — Recall that $L_N = N^2\mathcal{L} + N\mathcal{L}^{\text{WA}} + \mathcal{L}^G$ is the complete generator of our process introduced in (2.2). In the previous section, we proved that the symmetric currents can be replaced by a gradient, up to a perturbation $\mathcal{L}f$. In our case, this perturbation is not negligible, and must be added to the asymmetric currents induced by the asymmetric generator \mathcal{L}^{WA} to complete the drift term in equation (2.13). This is the purpose of this Section.

To achieve that goal, we need notations similar to the ones introduced in Section 4.1. For any positive integer l , and any smooth function $G \in C([0, T] \times \mathbb{T}^2)$, let us introduce

$$\mathcal{R}_i^{f,l}(\hat{\eta}) = r_i^\omega + \mathcal{L}^{\text{WA}}f - \mathbb{E}_{\hat{\rho}_l}(r_i^\omega + \mathcal{L}^{\text{WA}}f),$$

and

$$Y_{i,N}^{f,l}(G, \hat{\eta}) = \frac{1}{N^2} \sum_{x \in \mathbb{T}_N^2} G(x/N) \tau_x \mathcal{R}_i^{f,l},$$

where r_i^ω is the asymmetric current introduced in (2.18). According to Theorem 6.1, for any i , there exists a family of cylinder functions $(f_\delta)_{\delta>0}$ introduced in Lemma 6.39 such that

$$\lim_{\gamma \rightarrow \infty} \lim_{\delta \rightarrow 0} \limsup_{\epsilon \rightarrow 0} \limsup_{N \rightarrow \infty} \frac{1}{\gamma N^2} \log \mathbb{E}_{\mu_\alpha^{\lambda,\beta}} \left[\exp \left(\gamma N^2 \left| \int_0^T X_{i,N}^{f_\delta, \epsilon N}(G_t, \hat{\eta}(t)) dt \right| \right) \right] = 0,$$

where $X_{i,N}^{f,\epsilon N}$ was defined in equation (6.1). Furthermore, we also established in equation 6.128 that this sequence satisfies for any $\hat{\alpha} \in \mathcal{M}_1(\mathbb{S})$

$$(6.137) \quad \lim_{\delta \rightarrow 0} \ll j_i^\omega + \mathcal{L}f_\delta \gg_{\hat{\alpha}} = \inf_{f \in \mathcal{T}_\omega} \ll j_i^\omega + \mathcal{L}f \gg_{\hat{\alpha}}.$$

The replacement Lemma 4.1 applied to $g(\hat{\eta}) = r_i^\omega + \mathcal{L}^{\text{WA}}f$ yields the following result.

Lemma 6.41. — Let G be some smooth function in $C^{1,2}([0, T] \times \mathbb{T}^2)$, and $T \in \mathbb{R}_+^*$, then for $i \in \{1, 2\}$ we have

$$\lim_{\delta \rightarrow 0} \limsup_{\varepsilon \rightarrow 0} \limsup_{N \rightarrow \infty} \mathbb{E}_{\mu^N}^{\lambda, \beta} \left[\left| \int_0^T Y_{i, N}^{f, \varepsilon N}(G, \hat{\eta}) ds \right| \right] = 0.$$

Furthermore, we now prove the following result, which states that any function of the form $N\mathcal{L}^D f$ vanishes in the hydrodynamic limit, where $\mathcal{L}^D = \mathcal{L} + N^{-1}\mathcal{L}^{\text{WA}}$ is the generator of whole exclusion process.

Lemma 6.42. — For any function $G : [0, T] \times \mathbb{T}^2 \rightarrow \mathbb{R}$ in $C^{1,2}$, and any cylinder function f ,

$$\limsup_{N \rightarrow \infty} \mathbb{E}_{\mu^N} \left[\left| \int_0^T \frac{1}{N} \sum_{x \in \mathbb{T}_N^2} G(s, x/N) \tau_x \mathcal{L}^D f(\hat{\eta}(s)) ds \right| \right] = 0.$$

Proof of Lemma 6.42. — For any such smooth function H and cylinder function f , let us denote

$$F_G(s, \hat{\eta}(s)) = N^{-2} \sum_{x \in \mathbb{T}_N^2} G(s, x/N) \tau_x f(\hat{\eta}(s)).$$

The time process

$$M_G(t) = F_G(t, \hat{\eta}(t)) - F_G(0, \hat{\eta}(0)) - \int_0^t \partial_s F_G(s, \hat{\eta}(s)) ds - \int_0^t L_N F_G(s, \hat{\eta}(s)) ds$$

is a martingale, where L_N is the complete generator of our process, introduced in (2.2). Since f is bounded, the first three terms are of order 1, it remains to control $\int_0^T L_N F_G ds$. The quadratic variation of this martingale is given by

$$\begin{aligned} [M_G(\cdot, \hat{\eta}(\cdot))]_t &= \int_0^t L_N F_G(s, \hat{\eta}(s))^2 - 2F_G(s, \hat{\eta}(s)) L_N F_G(s, \hat{\eta}(s)) ds \\ &= \int_0^t ds N^2 \sum_{\substack{x \in \mathbb{T}_N^2 \\ \delta = \pm 1, i \in \{1, 2\}}} \tau_{x, z, i, \delta}^\lambda [F_G(s, \hat{\eta}^{x, x + \delta e_i}(s)) - F_G(s, \hat{\eta}(s))]^2 \\ &\quad + \int_0^t ds \sum_{x \in \mathbb{T}_N^2} \eta_x \int_{\mathbb{S}} c_{x, \beta}(\theta, \hat{\eta}) [F_G(s, \hat{\eta}^{x, \theta}(s)) - F_G(s, \hat{\eta}(s))]^2 d\theta \\ &= \frac{1}{N^2} \int_0^t ds \sum_{\substack{x \in \mathbb{T}_N^2 \\ \delta = \pm 1, i \in \{1, 2\}}} \tau_{x, z, i, \delta}^\lambda(\hat{\eta}(s)) \left[\sum_{y \in \mathbb{T}_N^2} G(s, y/N) (\tau_y f(\hat{\eta}^{x, x+z}(s)) - \tau_y f(\hat{\eta}(s))) \right]^2 \\ &\quad + \frac{1}{N^4} \int_0^t ds \sum_{x \in \mathbb{T}_N^2} \eta_x \int_{\mathbb{S}} c_{x, \beta}(\theta, \hat{\eta}) \left[\sum_{y \in \mathbb{T}_N^2} G(s, y/N) (\tau_y f(\hat{\eta}^{x, x+z}(s)) - \tau_y f(\hat{\eta}(s))) \right]^2 d\theta, \end{aligned}$$

where

$$\tau_{x, z, i, \delta}^\lambda(\hat{\eta}) = \left(1 + \frac{\delta \lambda_i(\theta_x)}{N} \right) \eta_x (1 - \eta_{x+z})$$

is the total displacement jump rate.

Since f is a local function, all but a finite number of terms in the y sum vanish, and the quadratic variation is hence of order N^{-2} . (For a reference on the quadratic variation, cf. Appendix 1.5, Lemma 5.1 in [27]). We deduce from the estimate of the quadratic variation of M_G and the order of the three first terms in the expression of M_G that

$$\mathbb{E}_{\mu^N} \left(\left| \int_0^T N^{-1} L_N F_G(s, \hat{\eta}(s)) ds \right| \right) \leq N^{-1} \left[\underbrace{\mathbb{E}_{\mu^N} ([M_G(t, \hat{\eta}(t))]^{1/2})}_{O(N^{-1})} + O_N(1) \right] \xrightarrow{N \rightarrow \infty} 0.$$

The previous martingale estimate shows that $\mathbb{E}_{\mu^N} \left(\left| \int_0^T N^{-1} L_N F_G(s, \hat{\eta}(s)) ds \right| \right)$ vanishes in the limit $N \rightarrow \infty$. Furthermore, elementary computations yield a crude bound on the contribution of the Glauber generator of order N^{-1} . Finally, since $L_N = N^2 \mathcal{L}^D + \mathcal{L}^G$, we obtain

$$\mathbb{E}_{\mu^N} \left(\left| \int_0^T N \mathcal{L}^D F_G(s, \hat{\eta}(s)) ds \right| \right) \xrightarrow{N \rightarrow \infty} 0,$$

which completes the proof of Lemma 6.42. \square

We now use these two Lemmas to prove that the total displacement current can be replaced by the wanted averages. More precisely, let

$$\mathcal{U}_i^{f,l}(\hat{\eta}) = j_i^\omega + \frac{1}{N} r_i^\omega + d_s(\rho_l) \delta_i \rho_l^\omega + \mathfrak{d}(\rho_l, \rho_l^\omega) \delta_i \rho_l - \frac{1}{N} \mathbb{E}_{\hat{\rho}_l}(r_i^\omega + \mathcal{L}^{\text{WA}} f),$$

we can state the following result.

Corollary 6.43. — *Let G be some smooth function in $C^{1,2}([0, T] \times \mathbb{T}^2)$, and $T \in \mathbb{R}_+^*$, then for $i \in \{1, 2\}$ we have*

$$\lim_{\delta \rightarrow 0} \limsup_{\varepsilon \rightarrow 0} \limsup_{N \rightarrow \infty} \mathbb{E}_{\mu^N}^{\lambda, \beta} \left[\left| \int_0^T \frac{1}{N} \sum_{x \in \mathbb{T}_N^2} G(x/N) \mathcal{U}_i^{f, \delta, \varepsilon N}(G, \hat{\eta}) ds \right| \right] = 0.$$

Proof of Corollary 6.43. — Adding and subtracting $(1/N) \mathcal{L}^{\text{WA}} f_\delta$ to the definition of $\mathcal{U}_i^{f, \delta, \varepsilon N}$, we can split it into three parts,

$$\begin{aligned} & j_i^\omega + d_s(\rho_{\varepsilon N}) \delta_i \rho_{\varepsilon N}^\omega + \mathfrak{d}(\rho_{\varepsilon N}, \rho_{\varepsilon N}^\omega) \delta_i \rho_{\varepsilon N} + \mathcal{L} f_\delta, \\ & \frac{1}{N} (r_i^\omega + \mathcal{L}^{\text{WA}} f_\delta) - \frac{1}{N} \mathbb{E}_{\hat{\rho}_{\varepsilon N}}(r_i^\omega + \mathcal{L}^{\text{WA}} f_\delta), \quad \text{and} \quad - \mathcal{L}^D f_\delta. \end{aligned}$$

The contribution of the first quantity vanishes in the limit of Corollary 6.43, according to Corollary 6.2. The second contribution also does thanks to Lemma 6.41, as well as the third due to Lemma 6.42, thus completing the proof of the Corollary. \square

We now derive an explicit expression for the quantity $\mathbb{E}_{\hat{\rho}_{\varepsilon N}}(r_i^\omega + \mathcal{L}^{\text{WA}} f_\delta)$ as δ goes to 0, which is the main result of this section.

Lemma 6.44. — *For any angle measure $\hat{\alpha} \in \mathcal{M}_\varepsilon(\mathbb{S})$,*

$$(6.138) \quad \lim_{\delta \rightarrow 0} \mathbb{E}_{\hat{\alpha}}(r_i^\omega + \mathcal{L}^{\text{WA}} f_\delta) = 2d_s(\alpha) \alpha_{\omega \lambda_i} + 2 \frac{\alpha_\omega \alpha_{\lambda_i}}{\alpha} (1 - \alpha - d_s(\alpha)),$$

where for any function $\Phi : \mathbb{S} \rightarrow \mathbb{R}$, we defined $\alpha_\Phi = \mathbb{E}_{\hat{\alpha}}(\Phi(\theta_0) \eta_0)$.

Remark 6.45 (extension of $\ll \cdot \gg_{\hat{\alpha}}$). — For any function Φ , we denoted

$$j_i^\Phi = \Phi(\theta_0) \eta_0 (1 - \eta_{e_i}) - \Phi(\theta_{e_i}) \eta_{e_i} (1 - \eta_0).$$

Note that our definition of $\mathcal{H}_{\hat{\alpha}}$ is intrinsically dependent on ω . In order to move forward with the proof and state the proof of Lemma 6.44 in a form as simple as possible, we need to enlarge the space $\mathcal{H}_{\hat{\alpha}}$, to functions and currents depending on the λ_i 's. For this purpose, we set $\eta_x^{a,b,c,d} = a\eta_x^\omega + b\eta_x^{\lambda_1} + c\eta_x^{\lambda_2} + d\eta_x$,

$$\tilde{\mathcal{T}}_0 = \mathcal{C}_0 \cap \left\{ \sum_{x \in \mathbb{T}_N^2} \eta_x^{a,b,c,d} \psi_x(\eta), \quad a, b, c, d \in \mathbb{R}, \quad \text{and} \quad \psi_x \in \mathcal{S}, \quad \forall x \in \mathbb{T}_N^2 \right\},$$

$$\ll f \gg_{\hat{\alpha}} = \sup_{\substack{g \in \tilde{\mathcal{T}}_0 \\ a, b, c, d \in \mathbb{R}^2}} \left\{ 2 \mathbb{E}_{\hat{\alpha}} \left(f \cdot \left[\Sigma_g + \sum_{y \in \mathbb{Z}^2} y_1 \eta_x^{a_1, b_1, c_1, d_1} + y_2 \eta_x^{a_2, b_2, c_2, d_2} \right] \right) - \left\| \nabla \Sigma_g + j^{a,b,c,d} \right\|_{2, \hat{\alpha}}^2 \right\},$$

where

$$j^{a,b,c,d} = a_1 \mathfrak{U}^\omega + a_2 \mathfrak{V}^\omega + b_1 \mathfrak{U}^{\lambda_1} + b_2 \mathfrak{V}^{\lambda_1} + c_1 \mathfrak{U}^{\lambda_2} + c_2 \mathfrak{V}^{\lambda_2} + d_1 \mathfrak{U} + d_2 \mathfrak{V}.$$

One easily proves that $\ll \cdot \gg_{\hat{\alpha}}$ thus defined is a semi-norm, and, letting $\mathcal{N}_{\hat{\alpha}}$ be its kernel, we still have the decomposition

$$\frac{\tilde{\mathcal{T}}_0}{\mathcal{N}_{\hat{\alpha}}} = \frac{\overline{\mathcal{L}\tilde{\mathcal{T}}_0}}{\mathcal{N}_{\hat{\alpha}}} \oplus J,$$

where $J = j^\omega \cdot \mathbb{R}^2 + j^{\lambda_1} \cdot \mathbb{R}^2 + j^{\lambda_2} \cdot \mathbb{R}^2 + j \cdot \mathbb{R}^2 \subset \mathcal{T}_0^\omega$ is the linear span of the currents. We can also state a result similar to Proposition 6.27 in this new space $\mathcal{H}_{\hat{\alpha}}$.

Proof of Lemma 6.44. — The proof of the previous Lemma is mainly based on Proposition 6.27. First note that by definition of $r_i^\omega = \lambda_i(\theta_0)\omega(\theta_0)\eta_0(1 - \eta_{e_1}) + \lambda_i(\theta_{e_i})\omega(\theta_{e_i})\eta_{e_i}(1 - \eta_0)$, we can write

$$(6.139) \quad \mathbb{E}_{\hat{\alpha}}(r_i^\omega) = 2\mathbb{E}_{\hat{\alpha}}(\lambda_i(\theta_0)\omega(\theta_0))\mathbb{E}_{\hat{\alpha}}(\mathfrak{U}) = 2 \ll j_i^{\lambda_i}, j_i^\omega \gg_{\hat{\alpha}}.$$

For any cylinder function f , with equation (6.90) and the translation invariance of the product measure, as well as $\eta \rightarrow \hat{\eta}^{x, x+\delta e_1}$ changes of variable, setting respectively $\Phi(\theta) = \lambda_1(\theta)$ and $\lambda_2(\theta)$, we can write

$$\begin{aligned} \ll \sum_{i=1}^2 j_i^{\lambda_i}, \mathcal{L}f \gg_{\hat{\alpha}} &= \ll \sum_{i=1}^2 \lambda_i(\theta_0)\eta_0(1 - \eta_{e_i}) - \lambda_i(\theta_{e_i})\eta_{e_i}(1 - \eta_0), \mathcal{L}f \gg_{\hat{\alpha}} \\ &= -\mathbb{E}_{\hat{\alpha}} \left(\sum_{x \in \mathbb{T}_N^2, i \in \{1,2\}} [\lambda_i(\theta_0)\eta_0(1 - \eta_{e_i}) - \lambda_i(\theta_{e_i})\eta_{e_i}(1 - \eta_0)] \tau_x f \right) \\ &= -\mathbb{E}_{\hat{\alpha}} \left(\sum_{x \in \mathbb{T}_N^2, i \in \{1,2\}} [\lambda_i(\theta_x)\eta_x(1 - \eta_{x+e_i}) - \lambda_i(\theta_{x+e_i})\eta_{x+e_i}(1 - \eta_x)] f \right) \\ &= \mathbb{E}_{\hat{\alpha}} \left(\sum_{x \in \mathbb{T}_N^2, i \in \{1,2\}} \lambda_i(\theta_x)\eta_x(1 - \eta_{x+e_i})(f(\hat{\eta}^{x, x+e_i}) - f) \right) \\ &= \frac{1}{2}\mathbb{E}_{\hat{\alpha}} \left(\sum_{x \in \mathbb{T}_N^2, i \in \{1,2\}} \lambda_i(\theta_x)\eta_x(1 - \eta_{x+e_i})(f(\hat{\eta}^{x, x+e_i}) - f) \right. \\ &\quad \left. - \lambda_i(\theta_x)\eta_x(1 - \eta_{x-e_i})(f(\hat{\eta}^{x, x-e_i}) - f) \right) \\ &= \frac{1}{2}\mathbb{E}_{\hat{\alpha}}(\mathcal{L}^{\text{WA}} f) \end{aligned}$$

i.e.

$$(6.140) \quad \mathbb{E}_{\hat{\alpha}}(\mathcal{L}^{\text{WA}} f) = 2 \ll j_1^{\lambda_1} + j_2^{\lambda_2}, \mathcal{L}f \gg_{\hat{\alpha}}.$$

Combining the two identities (6.139) and (6.140), we can therefore write,

$$(6.141) \quad \mathbb{E}_{\hat{\alpha}}(r_i^\omega + \mathcal{L}^{\text{WA}} f) = 2 \ll j_i^{\lambda_i}, j_i^\omega + \mathcal{L}f \gg_{\hat{\alpha}}.$$

By definition of $f_\delta = f_\delta^\omega$ (cf. Lemma 6.39) $j_i^\omega + \mathcal{L}f_\delta$ being ultimately, as $\delta \rightarrow 0$, a combination of gradients and therefore orthogonal to any $\mathcal{L}f$ according to equation (6.109). This yields

$$(6.142) \quad \begin{aligned} \lim_{\delta \rightarrow 0} \ll j_i^{\lambda_i}, j_i^\omega + \mathcal{L}f_\delta^\omega \gg_{\hat{\alpha}} &= \lim_{\delta \rightarrow 0} \ll j_i^{\lambda_i} + \mathcal{L}f_\delta^{\lambda_i}, j_i^\omega + \mathcal{L}f_\delta^\omega \gg_{\hat{\alpha}} \\ &= \lim_{\delta \rightarrow 0} \frac{1}{2} \left[\ll j_i^{\lambda_i+\omega} + \mathcal{L}f_\delta^{\lambda_i+\omega} \gg_{\hat{\alpha}} - \ll j_i^{\lambda_i} + \mathcal{L}f_\delta^{\lambda_i} \gg_{\hat{\alpha}} - \ll j_i^\omega + \mathcal{L}f_\delta^\omega \gg_{\hat{\alpha}} \right]. \end{aligned}$$

In the identity above, we used that $f_\delta^\omega + f_\delta^{\lambda_i} = f_\delta^{\omega+\lambda_i}$, in the sense that if $\mathcal{L}f_\delta^\omega$ (resp. $\mathcal{L}f_\delta^{\lambda_i}$) ultimately realize the difference between the currents and gradients with angular dependence ω (resp. λ_i). Indeed, if we can write both

$$\begin{aligned} \ll j_i^\omega + \mathfrak{d}_p^\omega \delta_i \eta_0^{\omega,p} + \mathfrak{d}_p \delta_i \eta_0^p + \mathcal{L}f_\delta^\omega \gg_{\hat{\alpha}} &\xrightarrow{p \rightarrow \infty, \delta \rightarrow 0} 0 \\ \ll j_i^{\lambda_i} + \mathfrak{d}_p^{\lambda_i} \delta_i \eta_0^{\lambda_i} + \mathfrak{d}_p \delta_i \eta_0^p + \mathcal{L}f_\delta^{\lambda_i} \gg_{\hat{\alpha}} &\xrightarrow{p \rightarrow \infty, \delta \rightarrow 0} 0, \end{aligned}$$

then we can write

$$\llcorner j_i^{\lambda_i+\omega} + \mathfrak{d}_p^{\lambda_i+\omega} \delta_i \eta_0^{\lambda_i+\omega} + \mathfrak{d}_p \delta_i \eta_0^p + \mathcal{L}(f_\delta^{\lambda_i} + f_\delta^\omega) \gg_{\widehat{\alpha}} \xrightarrow[p \rightarrow \infty, \delta \rightarrow 0]{} 0,$$

which is to say that

$$\llcorner j_i^{\lambda_i+\omega} + \mathcal{L}(f_\delta^{\lambda_i} + f_\delta^\omega) \gg_{\widehat{\alpha}} = \inf_f \llcorner j_i^{\lambda_i+\omega} + \mathcal{L}f \gg_{\widehat{\alpha}}.$$

Equation (6.142) thus holds, and the three parts of the right-hand side respectively converge towards $\mathfrak{s}^{\lambda_i+\omega}(\widehat{\alpha})$, $\mathfrak{s}^{\lambda_i}(\widehat{\alpha})$ and $\mathfrak{s}^\omega(\widehat{\alpha})$, where \mathfrak{s}^ω was introduced in equation (6.119). Since $\alpha_{\omega+\lambda_i} = \alpha_\omega + \alpha_{\lambda_i}$ and $\eta_0^{\omega+\lambda_i} = \eta_0^\omega + \eta_0^{\lambda_i}$, the second line of (6.142) thus rewrites

$$\lim_{\delta \rightarrow 0} \llcorner j_i^{\lambda_i}, j_i^\omega + \mathcal{L}f_\delta^\omega \gg_{\widehat{\alpha}} = 2 \left[\frac{\alpha_\omega \alpha_{\lambda_i}}{\alpha} (1 - \alpha - d_s(\alpha)) + \mathbb{E}_{\widehat{\alpha}}(\eta_0^\omega \eta_0^{\lambda_i}) d_s(\alpha) \right],$$

which is what we wanted to show. \square

7. Proof of the hydrodynamic limit

We now have all the pieces to prove Theorem 2.6. The last remaining difficulty is to perform the second integration by parts, since even the gradients obtained in Section 6 are not exactly microscopic gradients due to the non-constant diffusion coefficient. This is not a problem when the variations only depend on one quantity, the density for example, since we can then simply consider a primitive of the diffusion coefficient and obtain at the highest order in N a discrete gradient. This is not the case here, and we need some more work to obtain the wanted gradient.

Let us recall from Section 2.4 that for any smooth function $H \in C^{1,2,2}([0, T] \times \mathbb{T}^2 \times \mathbb{S})$, that we denoted by $M_t^{H,N}$ the martingale

$$(7.1) \quad M_t^{H,N} = \langle \pi_t^N, H_t \rangle - \langle \pi_0^N, H_0 \rangle - \int_0^t [\langle \pi_s^N, \partial_s H_s \rangle + L_N \langle \pi_s^N, H_s \rangle] ds,$$

where

$$\pi_s^N = \frac{1}{N^2} \sum_{x \in \mathbb{T}_N^2} \eta_x(t) \delta(x/N) \times \delta_{\theta_x(s)}$$

is the empirical measure of the process on $\mathbb{T}^2 \times \mathbb{S}$.

Proof of Theorem 2.6. — The quadratic variation $[M^{H,N}]_t$ of $M_t^{H,N}$ (cf. A1.5. Lemma 5.1 in [27]) is

$$\begin{aligned} [M^{H,N}]_t &= \int_0^t L_N \langle \pi_s^N, H_s \rangle^2 - 2 \langle \pi_s^N, H_s \rangle L_N \langle \pi_s^N, H_s \rangle ds \\ &= \int_0^t \frac{1}{N^4} \sum_{x \in \mathbb{T}_N^2} \left[\sum_{|z|=1} A_1(\widehat{\eta}, x, z) H_s(x/N) H_s((x+z)/N) + A_2(\widehat{\eta}, x) H_s(x/N)^2 \right] ds \\ &\leq \int_0^t \frac{1}{N^4} \sum_{x \in \mathbb{T}_N^2} C \|H\|_\infty^2 ds \leq \frac{1}{N^2} t C \|H\|_\infty^2, \end{aligned}$$

where C , $A_1(\widehat{\eta}, x, z)$ and $A_2(\widehat{\eta}, x)$ are finite quantities independent of N . The quadratic variation $[M^{H,N}]_t$ is therefore of order N^{-2} , and vanishes as N goes to infinity. The Doob's inequality hence gives us for any $T > 0$, $\delta > 0$

$$\lim_{N \rightarrow \infty} \mathbb{P}_{\mu^N}^{\lambda, \beta} \left(\sup_{0 \leq t \leq T} |M_t^{H,N}| \geq \delta \right) = 0,$$

and in particular

$$(7.2) \quad \lim_{N \rightarrow \infty} \mathbb{P}_{\mu^N}^{\lambda, \beta} \left(|M_T^{H,N}| \geq \delta \right) = 0.$$

We first consider the case of a function H such that

$$H_t(u, \theta) = G_t(u) \omega(\theta),$$

the general case will be a simple consequence of a periodic version of the Weierstrass approximation Theorem. For any such H , we can write

$$(7.3) \quad \int_0^T L_N < \pi_t^N, H_t > dt = \frac{1}{N^2} \int_0^T dt \sum_{x \in \mathbb{T}_N^2} \tau_x \left[\sum_{i=1}^2 [N j_i^\omega + r_i^\omega](t) \partial_{u_i, N} G_t(x/N) + G_t(x/N) \gamma^\omega(t) \right],$$

where j_i^ω , r_i^ω and γ^ω were introduced in Definition 2.8, and

$$\partial_{u_i, N} G(x/N) = N(G(x + e_i/N) - G(x/N))$$

is a microscopic approximation of the spatial derivative $\partial_{u_i} G$.

Thanks to Sections 4 and 6, we can perform the following replacements, in the expectation of the expression above, and in the limit $N \rightarrow \infty$ then $\varepsilon \rightarrow 0$:

— Thanks to Corollary 6.43, we can replace, j_i^ω by

$$(7.4) \quad - [d_s(\rho_{\varepsilon N}) \delta_i \rho_{\varepsilon N}^\omega + \mathfrak{d}(\rho_{\varepsilon N}, \rho_{\varepsilon N}^\omega) \delta_i \rho_{\varepsilon N}],$$

where \mathfrak{d} is given by equation (6.75),

$$\mathfrak{d}(\rho, \rho^\omega) = \rho^\omega (1 - d_s(\rho)) / \rho,$$

— Thanks to Corollary 6.43 and Lemma 6.44, r_i^ω can be replaced by

$$R_i^\omega(\widehat{\rho}_{\varepsilon N}) := 2 \left[d_s(\rho_{\varepsilon N}) \mathbb{E}_{\widehat{\rho}_{\varepsilon N}}(\eta_0^{\omega \lambda_i}) + \frac{\mathbb{E}_{\widehat{\rho}_{\varepsilon N}}(\eta_0^\omega) \mathbb{E}_{\widehat{\rho}_{\varepsilon N}}(\eta_0^{\lambda_i})}{\rho_{\varepsilon N}} (1 - \rho_{\varepsilon N} - d_s(\rho_{\varepsilon N})) \right].$$

— Finally, the Replacement Lemma 4.1 yields that γ^ω can be replaced by $\mathbb{E}_{\widehat{\rho}_{\varepsilon N}}(\gamma^\omega)$.

In other words, thanks to equation (7.2), for any $H_s(u, \theta) = G_s(u) \omega(\theta)$, we can write

$$(7.5) \quad \limsup_{\varepsilon \rightarrow 0} \lim_{N \rightarrow \infty} \mathbb{P}_{\mu^N}^{\lambda, \beta} \left(\left| \widetilde{M}_T^{H, N, \varepsilon} \right| \geq \delta \right) = 0,$$

where

$$(7.6) \quad \begin{aligned} \widetilde{M}_T^{H, N, \varepsilon} = & \langle \pi_T^N, H_T \rangle - \langle \pi_0^N, H_0 \rangle - \int_0^T \langle \pi_t^N, \partial_t H_t \rangle dt \\ & + \int_0^T dt \left[\frac{1}{N^2} \sum_{x \in \mathbb{T}_N^2} \tau_x \sum_{i=1}^2 [N (d_s(\rho_{\varepsilon N}) \delta_i \rho_{\varepsilon N}^\omega + \mathfrak{d}(\rho_{\varepsilon N}, \rho_{\varepsilon N}^\omega) \delta_i \rho_{\varepsilon N}) + R_i^\omega(\widehat{\rho}_{\varepsilon N})] \partial_{u_i, N} G_t(x/N) \right. \\ & \left. + G_t(x/N) \mathbb{E}_{\widehat{\rho}_{\varepsilon N}}(\gamma^\omega) \right] (t), \end{aligned}$$

In order to give a clear scheme, we divide the end of the proof in a series of steps.

Performing the second integration by parts. — Due to the presence of the diffusion coefficients, one cannot switch directly the last discrete derivatives $\delta_i \rho_{\varepsilon N}$ and $\delta_i \rho_{\varepsilon N}^\omega$ onto the smooth function G . In one dimension, one would consider a primitive $d(\rho)$ of the diffusion coefficient $D(\rho)$, and write that

$$D(\rho_{\varepsilon N}) \delta_i \rho_{\varepsilon N} = \delta_i d(\rho_{\varepsilon N}) + o_N(\delta_i \rho_{\varepsilon N}).$$

However, our case cannot be solved that way because the differential form

$$(\rho, \rho^\omega) \mapsto d_s(\rho) d\rho^\omega + \mathfrak{d}(\rho, \rho^\omega) d\rho,$$

is not closed, and therefore not exact either, which means that we cannot express (7.4) as

$$\delta_i F(\rho_{\varepsilon N}, \rho_{\varepsilon N}^\omega) + o_N(1/N).$$

We thus need another argument to obtain the differential equation (2.13).

First, we get rid of the part with $\delta_i \rho^\omega$. To do so, notice that

$$\begin{aligned} \delta_i [d_s(\rho_{\varepsilon N}) \rho_{\varepsilon N}^\omega] &= d_s(\rho_{\varepsilon N}) \delta_i \rho_{\varepsilon N}^\omega + \rho_{\varepsilon N}^\omega \delta_i d_s(\rho_{\varepsilon N}) + o_N(1/N) \\ &= d_s(\rho_{\varepsilon N}) \delta_i \rho_{\varepsilon N}^\omega + \rho_{\varepsilon N}^\omega d'_s(\rho_{\varepsilon N}) \delta_i \rho_{\varepsilon N} + o_N(1/N). \end{aligned}$$

We can therefore write

$$(7.7) \quad d_s(\rho_{\varepsilon N}) \delta_i \rho_{\varepsilon N}^\omega = \delta_i [d_s(\rho_{\varepsilon N}) \rho_{\varepsilon N}^\omega] - \rho_{\varepsilon N}^\omega d'_s(\rho_{\varepsilon N}) \delta_i \rho_{\varepsilon N} + o_N(1/N).$$

Let us denote for any $x \in \mathbb{T}_N^2$

$$D_x^{\varepsilon N} = \tau_x (\mathfrak{d}(\rho_{\varepsilon N}, \rho_{\varepsilon N}^\omega) - \rho_{\varepsilon N}^\omega d'_s(\rho_{\varepsilon N})).$$

We perform a second integration by parts in the contribution of the first term in the right-hand side of (7.7), whereas the left-hand side is added to the existing contribution of $\delta_i \rho_{\varepsilon N}$, with the modified diffusion coefficient $D_x^{\varepsilon N}$ defined above. We can now rewrite $\widetilde{M}_T^{H, N, \varepsilon}$ as

$$(7.8) \quad \langle \pi_T^N, H_T \rangle - \langle \pi_0^N, H_0 \rangle - \int_0^T \langle \pi_t^N, \partial_t H_t \rangle dt - \int_0^T I_1(t, \widehat{\eta}_t) - I_2(t, \widehat{\eta}_t) dt + o_N(1),$$

where

$$I_1(t, \widehat{\eta}) = \frac{1}{N^2} \sum_{x \in \mathbb{T}_N^2} \tau_x \left[\sum_{i=1}^2 d_s(\rho_{\varepsilon N}) \rho_{\varepsilon N}^\omega \partial_{u_i, N}^2 G_t(x/N) - R_i^\omega(\widehat{\rho}_{\varepsilon N}) \partial_{u_i, N} G_t(x/N) + G_t(x/N) \mathbb{E}_{\widehat{\rho}_{\varepsilon N}}(\gamma^\omega) \right]$$

and

$$\begin{aligned} I_2(t, \widehat{\eta}) &= \frac{1}{N^2} \sum_{x \in \mathbb{T}_N^2} \tau_x \sum_{i=1}^2 N D_0^{\varepsilon N} \delta_i \rho_{\varepsilon N} \partial_{u_i, N} G_t(x/N) \\ &= \frac{1}{N^2} \sum_{x \in \mathbb{T}_N^2} \sum_{i=1}^2 N D_x^{\varepsilon N} (\tau_{x+e_i} \rho_{\varepsilon N} - \tau_x \rho_{\varepsilon N}) \partial_{u_i, N} G_t(x/N). \end{aligned}$$

In I_1 , we regrouped all the terms for which taking the limit $N \rightarrow \infty$ is not a problem, whereas I_2 is the term where the extra factor N still has to be absorbed in a spatial derivative.

Replacement of the microscopic gradient by a mesoscopic gradient. — Since we cannot switch the derivative on the smooth function G due to the diffusion coefficient, we need to obtain the gradient of ρ in another way. For this purpose, we need to replace the microscopic gradient $\tau_{x+e_i} \rho_{\varepsilon N} - \tau_x \rho_{\varepsilon N}$ by a mesoscopic gradient, and make the derivative (in a weak sense) of ρ appear directly. More precisely, let us define

$$\widetilde{I}_2(t, \widehat{\eta}) = \frac{1}{N^2} \sum_{x \in \mathbb{T}_N^2} \sum_{i=1}^2 D_x^{\varepsilon N} \frac{\tau_{x+\varepsilon^3 N e_i} \rho_{\varepsilon N} - \tau_{x-\varepsilon^3 N e_i} \rho_{\varepsilon N}}{2\varepsilon^3} \partial_{u_i, N} G_t(x/N).$$

We are going to prove that for any configuration $\widehat{\eta}$,

$$(7.9) \quad \left| I_2(t, \widehat{\eta}) - \widetilde{I}_2(t, \widehat{\eta}) \right| \leq o_N(1) + o_\varepsilon(1),$$

uniformly in $\widehat{\eta}$. To prove the latter, for any $k \in \llbracket -\varepsilon^3 N, \varepsilon^3 N \rrbracket$, let us denote by $x_k = x + k e_i$,

$$\tau_{x+\varepsilon^3 N e_i} \rho_{\varepsilon N} - \tau_{x-\varepsilon^3 N e_i} \rho_{\varepsilon N} = \sum_{k=-\varepsilon^3 N}^{k=\varepsilon^3 N-1} \tau_{x_k+1} \rho_{\varepsilon N} - \tau_{x_k} \rho_{\varepsilon N}.$$

A summation by parts therefore allows us to rewrite \widetilde{I}_2 as

$$\widetilde{I}_2(t, \widehat{\eta}) = \frac{1}{N^2} \sum_{x \in \mathbb{T}_N^2} \sum_{i=1}^2 \left[\frac{1}{2N\varepsilon^3} \sum_{k=-\varepsilon^3 N}^{k=\varepsilon^3 N-1} D_{x_k}^{\varepsilon N} \partial_{u_i, N} G_t(x_k/N) \right] N (\tau_{x+e_i} \rho_{\varepsilon N} - \tau_x \rho_{\varepsilon N}).$$

Furthermore, we can write for any $x \in \mathbb{T}_N^2$

$$\begin{aligned} & \left| D_x^{\varepsilon N} \partial_{u_i, N} G_t(x/N) - \frac{1}{2\varepsilon^3 N} \sum_{k=-\varepsilon^3 N}^{k=\varepsilon^3 N-1} D_{x_k}^{\varepsilon N} \partial_{u_i, N} G_t(x_k/N) \right| \\ & \leq \frac{1}{2\varepsilon^3 N} \sum_{k=-\varepsilon^3 N}^{k=\varepsilon^3 N-1} \left| D_x^{\varepsilon N} (\partial_{u_i, N} G_t(x/N) - \partial_{u_i, N} G_t(x_k/N)) \right| + \left| \partial_{u_i, N} G_t(x_k/N) (D_x^{\varepsilon N} - D_{x_k}^{\varepsilon N}) \right|. \end{aligned}$$

Since the diffusion coefficients are bounded and G_s is C^2 , and since x and the x_k 's are distant of $\varepsilon^3 N$, we can write

$$\left| D_x^{\varepsilon N}(\partial_{u_i, N} G_t(x/N) - \partial_{u_i, N} G_t(x_k/N)) \right| \leq C(G_t)\varepsilon^3.$$

Since $D_{x_k}^{\varepsilon N}$ depends on the macroscopic density $\widehat{\rho}_{\varepsilon N}$, and since the diffusion coefficients can be extended as C^1 functions due to their explicit expression, we also have

$$\begin{aligned} \left| \partial_{u_i, N} G_t(x_k/N)(D_x^{\varepsilon N} - D_{x_k}^{\varepsilon N}) \right| &\leq C'(G_t) (|\tau_x \rho_{\varepsilon N} - \tau_{x_k} \rho_{\varepsilon N}| + |\tau_x \rho_{\varepsilon N}^\omega - \tau_{x_k} \rho_{\varepsilon N}^\omega|) \\ &\leq C''(G_t, \omega) \frac{\varepsilon^3 N}{\varepsilon N}. \end{aligned}$$

These two bounds finally yield that

$$(7.10) \quad \left| D_x^{\varepsilon N} \partial_{u_i, N} G_t(x/N) - \frac{1}{2\varepsilon^3 N} \sum_{k=-\varepsilon^3 N}^{k=\varepsilon^3 N-1} D_{x_k}^{\varepsilon N} \partial_{u_i, N} G_t(x_k/N) \right| \leq C(G_t)\varepsilon^3 + C''(G_t, \omega)\varepsilon^2 = o_\varepsilon(\varepsilon).$$

By definition of I_2 and \widetilde{I}_2 , the triangular inequality yields

$$\begin{aligned} |I_2 - \widetilde{I}_2| &\leq \\ &\frac{1}{N^2} \sum_{x \in \mathbb{T}_N^2} \sum_{i=1}^2 \left| D_x^{\varepsilon N} \partial_{u_i, N} G_t(x/N) - \frac{1}{2\varepsilon^3 N} \sum_{k=-\varepsilon^3 N}^{k=\varepsilon^3 N-1} D_{x_k}^{\varepsilon N} \partial_{u_i, N} G_t(x_k/N) \right| N(\tau_{x+e_i} \rho_{\varepsilon N} - \tau_x \rho_{\varepsilon N}). \end{aligned}$$

The quantity inside the absolute values in the right-hand side above is $o_N(1) + o_\varepsilon(\varepsilon)$, thanks to (7.10), whereas $N(\tau_{x+e_i} \rho_{\varepsilon N} - \tau_x \rho_{\varepsilon N})$ is of order at most $1/\varepsilon$, whereas the quantity inside absolute values is $o_\varepsilon(\varepsilon)$, therefore their product vanishes as $\varepsilon \rightarrow 0$, which proves equation (7.9). We therefore have obtained as wanted that

$$(7.11) \quad \limsup_{\varepsilon \rightarrow 0} \limsup_{N \rightarrow \infty} I_2(t, \widehat{\eta}) - \widetilde{I}_2(t, \widehat{\eta}) = 0,$$

uniformly in $\widehat{\eta}$. We can now replace in equation (7.8) I_2 by \widetilde{I}_2 .

Embedding in the space of trajectories of measures $\mathcal{M}^{[0, T]}$. — Recall that Q^N is the distribution of the empirical measure of our process. We now wish to express the martingale $\widetilde{M}_t^{H, N, \varepsilon}$ introduced after equation (7.5) as an explicit function of the empirical measure π^N in order to characterize the limit points Q^* of the compact sequence Q^N . For that purpose, let $(\varphi_\varepsilon)_{\varepsilon \rightarrow 0}$ be a family of localizing functions on \mathbb{T}^2 ,

$$\varphi_\varepsilon(\cdot) = (2\varepsilon)^{-2} \mathbb{1}_{[-\varepsilon, \varepsilon]^2}(\cdot),$$

and recall that we defined the empirical measure as

$$\pi_t^N = \frac{1}{N^2} \sum_{x \in \mathbb{T}_N^2} \eta_x(t) \delta_{x/N, \theta_x(t)}.$$

Then, for any function $\Phi : \mathbb{S} \rightarrow \mathbb{R}$, and any $u \in \mathbb{T}^2$ we denote by $\varphi_{\varepsilon, u}^\Phi$ the function

$$\begin{aligned} \varphi_{\varepsilon, u}^\Phi &: \mathbb{T}^2 \times \mathbb{S} &\longrightarrow & \mathbb{R} \\ (v, \theta) &\longmapsto & \varphi_\varepsilon(v - u) \Phi(\theta). \end{aligned}$$

With this notation, we can therefore write

$$\mathbb{E}_{\tau_x \widehat{\rho}_{\varepsilon N}}(\eta_0^\Phi) = \frac{1}{(2\varepsilon N + 1)^2} \sum_{\|y-x\|_\infty \leq \varepsilon N} \eta_y^\Phi = \frac{(2\varepsilon N)^2}{(2\varepsilon N + 1)^2} \langle \pi^N, \varphi_{\varepsilon, x/N}^\Phi \rangle.$$

In the particular case where $\Phi \equiv 1$, (resp. $\Phi = \omega$), the above reads as

$$\tau_x \rho_{\varepsilon N} = \frac{(2\varepsilon N)^2}{(2\varepsilon N + 1)^2} \langle \pi^N, \varphi_{\varepsilon, x/N}^1 \rangle \quad \left(\text{resp. } \tau_x \rho_{\varepsilon N}^\omega = \frac{(2\varepsilon N)^2}{(2\varepsilon N + 1)^2} \langle \pi^N, \varphi_{\varepsilon, x/N}^\omega \rangle \right).$$

Since $(2\varepsilon N)^2 / (2\varepsilon N + 1)^2 = 1 + o_N(1)$, we can replace in the limit $N \rightarrow \infty$ the quantity $\mathbb{E}_{\tau_x \widehat{\rho}_{\varepsilon N}}(\eta_0^\Phi)$ (resp. $\tau_x \rho_{\varepsilon N}$, $\tau_x \rho_{\varepsilon N}^\omega$) by the function of the empirical measure $\langle \pi^N, \varphi_{\varepsilon, x/N}^\Phi \rangle$ (resp. $\langle \pi^N, \varphi_{\varepsilon, x/N}^1 \rangle$, $\langle \pi^N, \varphi_{\varepsilon, x/N}^\omega \rangle$).

We deduce from equations (7.5), (7.8) and (7.11) and what precedes that for any positive δ ,

$$(7.12) \quad \limsup_{\varepsilon \rightarrow 0} \limsup_{N \rightarrow \infty} Q^N \left(\left| N_T^{H,N} \left(\pi^{[0,T]} \right) \right| \geq \delta \right) = 0.$$

where $N_T^{H,N}$ is defined as

$$(7.13) \quad \begin{aligned} N_T^{H,N} \left(\pi^{[0,T]} \right) &= \langle \pi_T, H_T \rangle - \langle \pi_0, H_0 \rangle - \int_0^T \langle \pi_t, \partial_t H_t \rangle dt \\ &\quad - \int_0^T \left[\frac{1}{N^2} \sum_{x \in \mathbb{T}_N^2} \sum_{i=1}^2 \tilde{d}_{x/N, \varepsilon}(\pi_t) \partial_{u_i, N}^2 G_t(x/N) - \tilde{R}_{x/N, \varepsilon, i}(\pi_t) \partial_{u_i, N} G_t(x/N) + \Gamma_{x/N, \varepsilon}^\omega(\pi_t) G_t(x/N) \right] dt \\ &\quad + \int_0^T \left[\frac{1}{N^2} \sum_{x \in \mathbb{T}_N^2} \sum_{i=1}^2 \tilde{D}_{x/N, \varepsilon}(\pi_t) \langle \pi_t, \frac{\varphi_{\varepsilon, x/N + \varepsilon^3 e_i}^1 - \varphi_{\varepsilon, x/N - \varepsilon^3 e_i}^1}{2\varepsilon^3} \rangle \partial_{u_i, N} G_t(x/N) \right] dt. \end{aligned}$$

In the identity above, we denoted

$$\tilde{d}_{x/N, \varepsilon}(\pi) = d_s(\langle \pi, \varphi_{\varepsilon, x/N}^1 \rangle) \langle \pi, \varphi_{\varepsilon, x/N}^\omega \rangle$$

$$\tilde{D}_{x/N, \varepsilon}(\pi) = \mathfrak{d}(\langle \pi, \varphi_{\varepsilon, x/N}^1 \rangle, \langle \pi, \varphi_{\varepsilon, x/N}^\omega \rangle) - \langle \pi, \varphi_{\varepsilon, x/N}^\omega \rangle d'_s(\langle \pi, \varphi_{\varepsilon, x/N}^1 \rangle)$$

$$\begin{aligned} \tilde{R}_{x/N, \varepsilon, i}(\pi) &= d_s \left(\langle \pi, \varphi_{\varepsilon, x/N}^1 \rangle \right) \langle \pi, \varphi_{\varepsilon, x/N}^{\omega \lambda_i} \rangle \\ &\quad + \frac{\langle \pi, \varphi_{\varepsilon, x/N}^\omega \rangle \langle \pi, \varphi_{\varepsilon, x/N}^{\lambda_i} \rangle}{\langle \pi, \varphi_{\varepsilon, x/N}^1 \rangle} \left[1 - \langle \pi, \varphi_{\varepsilon, x/N}^1 \rangle - d_s \left(\langle \pi, \varphi_{\varepsilon, x/N}^1 \rangle \right) \right], \end{aligned}$$

and $\Gamma_{u, \varepsilon}^\omega(\pi) = \mathbb{E}_{\hat{\alpha}_{x/N, \varepsilon}(\pi)}(\gamma^\omega)$, where $\hat{\alpha}_{x/N, \varepsilon}(\pi) \in \mathcal{M}_1(\mathbb{S})$ is the measure on \mathbb{S}

$$\hat{\alpha}_{x/N, \varepsilon}(\pi)(d\theta) = \int_{\mathbb{T}^2} \varphi_\varepsilon(\cdot - x/N) \pi(du, d\theta).$$

Limit $N \rightarrow \infty$. — We can now let N go to ∞ in (7.12). Since G is a smooth function, one can replace in (7.13) the discrete space derivatives $\partial_{u_i, N}$ by the continuous derivative ∂_{u_i} , the sums $N^{-2} \sum_{x \in \mathbb{T}_N^2}$ by the integral $\int_{\mathbb{T}^2} du$, and the variables x/N by u . Since the quantity inside the absolute values is a continuous function (for Skorohod's topology defined in Appendix A.1) of $\pi^{[0,T]}$, the whole event is an open set, we obtain that for any weak limit point Q^* of (Q^N) , and any positive δ ,

$$(7.14) \quad \begin{aligned} \limsup_{\varepsilon \rightarrow 0} Q^* \left(\left| \langle \pi_T, H_T \rangle - \langle \pi_0, H_0 \rangle - \int_0^T \langle \pi_t, \partial_t H_t \rangle dt \right. \right. \\ \left. \left. - \int_0^T \int_{\mathbb{T}^2} \sum_{i=1}^2 \left[\tilde{d}_{u, \varepsilon}(\pi_t) \partial_{u_i}^2 G_t(u) - \tilde{R}_{u, \varepsilon, i}(\pi_t) \partial_{u_i} G_t(u) + \Gamma_{u, \varepsilon}^\omega(\pi_t) G_t(u) \right] dudt \right. \right. \\ \left. \left. + \int_0^T \int_{\mathbb{T}^2} \sum_{i=1}^2 \left[\tilde{D}_{u, \varepsilon}(\pi_t) \langle \pi_t, \frac{\varphi_{\varepsilon, u + \varepsilon^3 e_i}^1 - \varphi_{\varepsilon, u - \varepsilon^3 e_i}^1}{2\varepsilon^3} \rangle \partial_{u_i} G_t(u) \right] dudt \right| > \delta \right) = 0 \end{aligned}$$

Limit $\varepsilon \rightarrow 0$. — In order to consider the limite $\varepsilon \rightarrow 0$, we need to express

$$\langle \pi_t, \frac{\varphi_{\varepsilon, u + \varepsilon^3 e_i}^1 - \varphi_{\varepsilon, u - \varepsilon^3 e_i}^1}{2\varepsilon^3} \rangle$$

in the third line above as an approximation of the gradient of the density $\partial_{u_i} \rho_t(u)$. As in the proof of Lemma 6.3, consider a smooth function $h_{\varepsilon, i, u}$ such that

$$(7.15) \quad \int_{\mathbb{T}^2} \left| \frac{\varphi_{\varepsilon, u + \varepsilon^3 e_i}^1 - \varphi_{\varepsilon, u - \varepsilon^3 e_i}^1}{2\varepsilon^3}(v) - h_{\varepsilon, i, u} \right| dv = o_\varepsilon(1).$$

Since such a function is very similar to the one already presented in Lemma 6.3, we do not give a detailed construction here. Then, we can build a smooth antiderivative $H_{\varepsilon,u}$ of $h_{\varepsilon,i,u}$, and we can write for any $u \in \mathbb{T}^2$, and any density ρ in H^1 ,

$$\int_{\mathbb{T}^2} \rho(v) h_{\varepsilon,i,u}(v) dv = \int_{\mathbb{T}^2} \partial_{u_i} \rho(v) H_{\varepsilon,u}(v) dv.$$

Regarding the third line of (7.14), this yields

$$\langle \pi_t, \frac{\varphi_{\varepsilon,u+\varepsilon^3 e_i}^1 - \varphi_{\varepsilon,u-\varepsilon^3 e_i}^1}{2\varepsilon^3} \rangle = \int_{\mathbb{T}^2} \partial_{u_i} \rho(v) H_{\varepsilon,u}(v) dv + o_\varepsilon(1),$$

where $H_{\varepsilon,u}$ is a smooth approximation of a Dirac in u and $o_\varepsilon(1)$ is uniform in u . According to (5.34), $\partial_{u_i} \rho$ is in $L^2([0, T] \times \mathbb{T}^2)$ Q^* -a.s, therefore

$$(7.16) \quad \int_{\mathbb{T}^2} \partial_{u_i} \rho_t(v) H_{\varepsilon,u}(v) dv \xrightarrow[\varepsilon \rightarrow 0]{L^2([0, T] \times \mathbb{T}^2)} \partial_{u_i} \rho_t(u),$$

Q^* -a.s. (see, for example, Theorem 4.22, p.109 in [5]).

By Lemma 5.13 any limit point Q^* of (Q^N) is concentrated on measures absolutely continuous w.r.t. the Lebesgue measure on \mathbb{T}^2 . For any such measure $\pi^{[0, T]}$, we denote by $\hat{\rho}_t(u, d\theta)$ its corresponding density profile on the torus at time t , and let

$$\rho_t^\omega(u) = \int_{\mathbb{S}} \omega(\theta) \hat{\rho}_t(u, d\theta).$$

We also shorten $\rho(u) = \rho^1(u)$. Thanks to this last remark and using both (7.16) and the dominated convergence theorem for the second line of (7.14), we can now let ε go to 0 in equation (7.14), to obtain that for any limit point Q^* of (Q^N) and any $\delta > 0$,

$$(7.17) \quad Q^* \left(\left| \langle \pi_T, H_T \rangle - \langle \pi_0, H_0 \rangle - \int_0^T \langle \pi_t, \partial_t H_t \rangle dt \right. \right. \\ \left. \left. - \int_0^T \int_{\mathbb{T}^2} \sum_{i=1}^2 d_s(\rho_t) \rho_t^\omega \partial_{u_i}^2 G_t(u) - 2 \left[d_s(\rho_t) \rho_t^{\lambda_i \omega} + \frac{\rho_t^\omega}{\rho_t} (1 - \rho_t - d_s(\rho_t)) \rho_t^{\lambda_i} \right] \partial_{u_i} G_t(u) + \mathbb{E}_{\hat{\rho}_t}(\gamma^\omega) G_t(u) \right. \right. \\ \left. \left. + \int_0^T \int_{\mathbb{T}^2} \sum_{i=1}^2 \left[\mathfrak{d}(\rho_t, \rho_t^\omega) - d'_s(\rho_t) \rho_t^\omega \right] (\partial_{u_i} \rho_t) \partial_{u_i} G_t(u) dudt \right| > \delta \right) = 0.$$

Conclusion. — As expected, all the quantities above are linear in ω , and elementary computations yield that

$$\mathbb{E}_{\hat{\rho}_t(u, \cdot)}(\gamma^\omega) = \int_{\mathbb{S}} \omega(\theta) [\mathbb{E}_{\hat{\rho}_t(u, \cdot)}(c_{u, \beta}(\theta, \hat{\eta})) - 1] \hat{\rho}_t(u, d\theta).$$

Furthermore, since $H_t(u, \theta) = G_t(u) \omega(\theta)$, we can write for $k = 1, 2$

$$\rho_t^\omega \partial_{u_i}^k G_t(u) = \int_{\mathbb{S}} \omega(\theta) \partial_{u_i}^k G_t(u) \hat{\rho}_t(u, d\theta) = \int_{\mathbb{S}} \partial_{u_i}^k H_t(u, \theta) \hat{\rho}_t(u, d\theta).$$

Similar identities can be obtained when ω is replaced for example by $\omega \lambda_i$. Using in Equation (7.17) the identities above finally yield, as wanted, that for any $\delta > 0$

$$Q^* \left(\left| \langle \pi_T, H_T \rangle - \langle \pi_0, H_0 \rangle - \int_0^T \langle \pi_t, \partial_t H_t \rangle dt \right. \right. \\ \left. \left. + \int_0^T \int_{\mathbb{T}^2 \times \mathbb{S}} \left[\sum_{i=1}^2 \left(\partial_{u_i} H_t(u, \theta) [\mathfrak{d}(\hat{\rho}_t, \rho_t) - d'_s(\rho_t) \hat{\rho}_t](u, d\theta) \partial_{u_i} \rho_t(u) - \partial_{u_i}^2 H_t(u, \theta) d_s(\rho_t) \hat{\rho}_t(u, d\theta) \right. \right. \right. \\ \left. \left. \left. + \partial_{u_i} H_t(u, \theta) \left[2\lambda_{\mathfrak{s}}(\hat{\rho}_t, \rho_t) \vec{\Omega}(\hat{\rho}_t) + 2\lambda_i(\theta) d_s(\rho_t) \hat{\rho}_t \right](u, d\theta) \right] - H_t(u, \theta) \Gamma_t(\hat{\rho})(u, d\theta) \right] dudt \right| > \delta \right) = 0.$$

As in the proof of Proposition 5.11, this last identity can be extended in the case where $H_t(u, \theta)$ does not take the form $G_t(u) \omega(\theta)$ by using a periodic version of the Weierstrass Theorem, thus letting $\delta \rightarrow 0$ completes the proof of Theorem 2.6. \square

Appendix A General tools

This appendix regroups a general definitions and results that we will be used throughout the proof.

A.1. Topological setup. — This paragraph defines the topological setup we endow the trajectories space for our process with. Denoting by $\mathcal{M}(\mathbb{T}^2 \times \mathbb{S})$ the space of positive measures on the continuous configuration space, and

$$\mathcal{M}^{[0,T]} = D([0, T] \times \mathcal{M}(\mathbb{T}^2 \times \mathbb{S}))$$

the space of right-continuous and left-limited trajectories of measures on $\mathbb{T}^2 \times \mathbb{S}$. Each trajectory $\hat{\eta}^{[0,T]}$ of our process admits a natural image in $\mathcal{M}^{[0,T]}$ through its empirical measure

$$(A.1) \quad \pi_t^N \left(\hat{\eta}^{[0,T]} \right) = \frac{1}{N^2} \sum_{x \in \mathbb{T}_N^2} \eta_x(t) \delta_{(x/N, \theta_x(t))}.$$

Let $(f_k)_{k \in \mathbb{N}}$ be a dense family of functions in $C^\infty(\mathbb{T}^2 \times \mathbb{S})$, and assume that $f_0 \equiv 1$. The weak topology on $\mathcal{M}(\mathbb{T}^2 \times \mathbb{S})$ is metrisable, by letting

$$(A.2) \quad \delta(\pi_0, \pi'_0) = \sum_{k=0}^{\infty} \frac{1}{2^k} \frac{|\langle \pi_0, f_k \rangle - \langle \pi'_0, f_k \rangle|}{1 + |\langle \pi_0, f_k \rangle - \langle \pi'_0, f_k \rangle|}.$$

Given this metric, $\mathcal{M}^{[0,T]}$ is endowed with Skorohod's metric, defined as

$$(A.3) \quad d(\pi, \pi') = \inf_{\kappa \in F} \max \left\{ \|\kappa\|, \sup_{[0,T]} \delta(\pi_t, \pi'_{\kappa_t}) \right\},$$

where F is the set of strictly increasing continuous functions from $[0, T]$ into itself, such that $\kappa_0 = 0$ and $\kappa_T = T$, equipped with the norm

$$\|\kappa\| = \sup_{s, t \in [0, T]} \left\{ \log \left[\frac{\kappa_s - \kappa_t}{s - t} \right] \right\}.$$

Now, $(\mathcal{M}^{[0,T]}, d)$ is a metric space, and we endow the set $\mathcal{P}(\mathcal{M}^{[0,T]})$ of probability measures on $\mathcal{M}^{[0,T]}$ with the weak topology.

Given the empirical measure π_t^N of the process at time t , defined in equation (A.1), define the application

$$\pi^N : \begin{array}{ccc} \Sigma_N^{[0,T]} & \longrightarrow & \mathcal{M}^{[0,T]} \\ \hat{\eta}^{[0,T]} & \mapsto & (\pi_t^N(\hat{\eta}^{[0,T]}))_{t \in [0, T]} \end{array},$$

we define

$$(A.4) \quad Q^N = \mathbb{P}_{\mu^N}^{\lambda, \beta} \circ (\pi^N)^{-1} \in \mathcal{P}(\mathcal{M}^{[0,T]})$$

the pushforward of $\mathbb{P}_{\mu^N}^{\lambda, \beta}$ by π^N .

A.2. Self-diffusion coefficient. — We regroup in this paragraph some useful results regarding the self-diffusion coefficient. Consider on \mathbb{Z}^2 , an initial configuration where each site is initially occupied w.p. $\rho \in [0, 1]$, and with a tagged particle at the origin. Each particle then follows a symmetric exclusion process with finite range transition matrix $p(\cdot)$, verifying $\sum_z z p(z) = 0$, and $p(z) = 0$ outside of a finite set of vertices B .

Definition A.1 (Self-Diffusion Coefficient). — Given $\mathbf{X}_t = (X_t^1, \dots, X_t^d)$ the position at time t of the tagged particle, the d -dimensional *self-diffusion matrix* $D_s = D_s(\rho)$ is defined as

$$(A.5) \quad y D_s y^* = \lim_{t \rightarrow \infty} \frac{\mathbb{E}((y \cdot \mathbf{X}_t)^2)}{t} \quad \forall y \in \mathbb{R}^d,$$

where y^* is the transposed vector of y and (\cdot) is the usual inner product in \mathbb{R}^d .

This result follows from [28]. Our system being invariant through coordinates inversions, it is shown in [31] that the matrix D_s is diagonal, and can therefore be written

$$D_s(\rho) = d_s(\rho)I.$$

The following Lemma gives a variational formula for d_s and was obtained in Spohn [44].

Proposition A.2 (Variational formula for the self-diffusion coefficient)

The self-diffusion coefficient $d_s(\rho)$ is given by the variational formula

$$d_s(\rho) = \inf_f \left\{ \sum_{\substack{i \in \{1,2\} \\ \delta \in \{-1,1\}}} \mathbb{E}_\rho \left((1 - \eta_{\delta e_i}) [\delta - (f(\tau_{\delta e_i} \eta) - f(\eta))]^2 + \sum_{x \in \mathbb{Z}^2 \setminus \{0, e_i\}} \eta_x (1 - \eta_{x + \delta e_i}) [f(\eta^{x, x + \delta e_i}) - f(\eta)]^2 \right) \right\}.$$

Finally, the regularity of the self-diffusion coefficient follows from [30], and a lower and upper bound was derived by Varadhan in all dimensions by Varadhan in [49].

Proposition A.3 (Regularity of the self-diffusion coefficient). — in any dimension $d \geq 1$, the self-diffusion coefficient d_s is $C^\infty([0, 1])$, and for some constant $C > 0$, we can write

$$\frac{1}{C}(1 - \rho) \leq d_s(\rho) \leq C(1 - \rho).$$

A.3. Entropy. — Given two measures on a space E , let us denote

$$H(\mu | \nu) = \mathbb{E}_\nu \left(\frac{d\mu}{d\nu} \log \frac{d\mu}{d\nu} \right)$$

the relative entropy of μ w.r.t ν .

Proposition A.4 (Entropy inequality). — Let π be a reference measure on some probability space E . Let f be a function $E \rightarrow \mathbb{R}$, and $\gamma \in \mathbb{R}^+$. Then, for any positive measure μ on E , we have

$$\int f d\mu \leq \frac{1}{\gamma} \left[\log \left(\int e^{\gamma f} d\pi \right) + H(\mu | \pi) \right],$$

where $H(\mu | \pi)$ is the relative entropy of μ with respect to π .

Proof of Proposition A.4. — The proof is omitted, it can be found in Appendix 1.8 of [27]. \square

Remark A.5 (Utilization throughout the proof). — This inequality is used throughout this proof with μ_s^N the marginal at time s of the measure of the process started from an initial profile μ^N , and with $\pi = \mu_{\hat{\alpha}}$ the equilibrium measure of a symmetric simple exclusion process with angle measure $\hat{\alpha}$. Then, for any fixed time s and for any function f and any positive γ

$$\mathbb{E}_{\mu_s^N}(f) \leq \frac{1}{\gamma} \left[\log \mathbb{E}_{\hat{\alpha}}(e^{\gamma f}) + H(\mu_s^N | \mu_{\hat{\alpha}}) \right].$$

This inequality will be our main tool to bound expectation w.r.t the measure of our process of vanishing quantities .

A.4. Bound on the largest eigenvalue of a perturbed Markov generator. —

Proposition A.6 (Largest eigenvalue for a small perturbation of a markov generator)

Let us consider a Markov Generator L with positive spectral gap γ and a bounded function V with mean 0 with respect to the equilibrium measure $\mu_{\hat{\alpha}}$ of the Markov process. Then, for any small $\varepsilon > 0$, the Largest eigenvalue of the operator $L + \varepsilon V$ can be bounded from above by

$$\sup_f \left\{ \varepsilon \mathbb{E}_{\hat{\alpha}}(V f^2) + \mathbb{E}_{\hat{\alpha}}(f L f) \right\} \leq \frac{\varepsilon^2}{A - 2\varepsilon\gamma \|V\|_\infty} \mathbb{E}_{\hat{\alpha}}(V(-L)^{-1}V),$$

where the supremum in the variational formula is taken among the probability densities f w.r.t $\mu_{\hat{\alpha}}$.

The proof of this result is omitted, it is given in Theorem A3.1.1, p.375 in [27].

Appendix B

Space of parameters $\mathcal{M}_1(\mathbb{S})$

In this appendix, we prove some useful results regarding the space of parameters $(\mathcal{M}_1(\mathbb{S}), \|\cdot\|)$ introduced in Section 3.1.

B.1. Equivalence of ensembles. —

Proposition B.1 (Equivalence of ensembles). — *Let f be a cylinder function (in the sense of Definition 2.1), we have*

$$\limsup_{l \rightarrow \infty} \sup_{\widehat{K} \in \mathbb{K}_l} \left| \mathbb{E}_{l, \widehat{K}}(f) - \mathbb{E}_{\widehat{\alpha}_{\widehat{K}}}(f) \right| \rightarrow 0,$$

where the first measure is the projection along sets with \widehat{K} particles in B_l , whereas the second is the grand canonical measure with parameter $\widehat{\alpha} = \widehat{\alpha}_{\widehat{K}}$ introduced in Definition 3.7.

Proof of Proposition B.1. — The proof of this result is quite elementary, and is a matter of carefully writing expectations for a random sampling with (grand canonical measures) and without (canonical measures) replacement.

The proof of this problem can be reduced to the following : Consider two sampling of M integers, chosen among L . The first sampling is made without replacement, and the sampled numbers will be denoted X_1, \dots, X_M . The second sampling is made with replacement, and will be denoted Y_1, \dots, Y_M . Then, for any function

$$g : \{1, \dots, L\}^M \rightarrow \mathbb{R},$$

we have

$$| \mathbb{E}(g(X_1, \dots, X_M)) - \mathbb{E}(g(Y_1, \dots, Y_M)) | = \|g\|_{\infty} o_L(1),$$

where the $o_L(1)$ only depends on L . The proof of the last statement is elementary, and is therefore omitted here.

To come back to our Proposition, M represents the number of sites on which depends the cylinder function g , $L = (2l + 1)^2$ represents the number of sites in B_l , the X_i 's are the possible values for the $\widehat{\eta}_x$'s ($x \in B_l$) under the canonical measure $\mu_{l, \widehat{K}}$, and the Y_i 's are the possible values for the $\widehat{\eta}_x$'s ($x \in B_l$) under the grand canonical measure $\mu_{\widehat{\alpha}_{\widehat{K}}}$. \square

B.2. Dependency of the grand canonical measures $\mu_{\widehat{\alpha}}$ in $\widehat{\alpha}$. —

Proposition B.2. — *Consider the set of local profiles $\mathcal{M}_1(\mathbb{S})$ equipped with the norm $\|\cdot\|$ defined in Definition 3.2. Then, given a function $g \in \mathcal{C}$, the application*

$$\begin{array}{ccc} \Psi & : & (\mathcal{M}_1(\mathbb{S}), \|\cdot\|) \longrightarrow \mathbb{R} \\ & & \widehat{\alpha} \longmapsto \mathbb{E}_{\widehat{\alpha}}(g) \end{array}$$

is Lipschitz-continuous with Lipschitz constant depending on the function g .

Proof of Proposition B.2. — Let us consider a cylinder function g depending only on vertices x_1, \dots, x_M , and let us start by assuming that g vanishes as soon as one of the sites x_1, \dots, x_M is empty. We can then rewrite $g(\widehat{\eta})$ as $\eta_{x_1} \dots \eta_{x_M} g(\theta_{x_1}, \dots, \theta_{x_M})$, and

$$\mathbb{E}_{\widehat{\alpha}}(g) = \int_{\theta_1} \dots \int_{\theta_M} g(\theta_{x_1}, \dots, \theta_{x_M}) d\widehat{\alpha}(\theta_{x_1}) \dots d\widehat{\alpha}(\theta_{x_M}).$$

We can now proceed by recurrence on M . Given a function g depending only on a site x_1 , and for any two angle measures $\widehat{\alpha}$ and $\widehat{\alpha}'$ we can write

$$\mathbb{E}_{\widehat{\alpha}}(g) - \mathbb{E}_{\widehat{\alpha}'}(g) = \|g\|^* \int_{\theta_{x_1}} \frac{g(\theta_{x_1})}{\|g\|^*} d(\widehat{\alpha} - \widehat{\alpha}')(\theta_{x_1}) \leq \|g\|^* \|\widehat{\alpha} - \widehat{\alpha}'\|$$

Assuming now that the proposition is true for any function depending on $M - 1$ sites, and considering a function g depending on M vertices, we can write

$$(B.1) \quad \mathbb{E}_{\hat{\alpha}}(g) - \mathbb{E}_{\hat{\alpha}'}(g) = \mathbb{E}_{\hat{\alpha}}(\mathbb{E}_{\hat{\alpha}}(g \mid \hat{\eta}_{x_2}, \dots, \hat{\eta}_{x_M})) - \mathbb{E}_{\hat{\alpha}'}(\mathbb{E}_{\hat{\alpha}'}(g \mid \hat{\eta}_{x_2}, \dots, \hat{\eta}_{x_M})).$$

Fix any angle θ , and let g^θ be the function $g^\theta(\hat{\eta}) = g(\theta, \theta_{x_2}, \dots, \theta_{x_M})$, we can write thanks to the recurrence hypothesis that

$$|\mathbb{E}_{\hat{\alpha}}(g^\theta) - \mathbb{E}_{\hat{\alpha}'}(g^\theta)| \leq C_\theta \|\hat{\alpha} - \hat{\alpha}'\|,$$

which, integrated in θ against $\hat{\alpha}'$, yields

$$|\mathbb{E}_{\hat{\alpha}'}(\mathbb{E}_{\hat{\alpha}'}(g \mid \hat{\eta}_{x_2}, \dots, \hat{\eta}_{x_M})) - \mathbb{E}_{\hat{\alpha}'}(\mathbb{E}_{\hat{\alpha}}(g \mid \hat{\eta}_{x_2}, \dots, \hat{\eta}_{x_M}))| \leq C_1 \|\hat{\alpha} - \hat{\alpha}'\|,$$

On the other hand, we can also write

$$|\mathbb{E}_{\hat{\alpha}}(\mathbb{E}_{\hat{\alpha}}(g \mid \hat{\eta}_{x_2}, \dots, \hat{\eta}_{x_M})) - \mathbb{E}_{\hat{\alpha}'}(\mathbb{E}_{\hat{\alpha}}(g \mid \hat{\eta}_{x_2}, \dots, \hat{\eta}_{x_M}))| \leq C_2 \|\hat{\alpha} - \hat{\alpha}'\|,$$

therefore (B.1) yields that

$$|\mathbb{E}_{\hat{\alpha}}(g) - \mathbb{E}_{\hat{\alpha}'}(g)| \leq (C^1 + C^2) \|\hat{\alpha} - \hat{\alpha}'\|,$$

which is what we wanted to show.

To complete the proof of Proposition B.2, we now only need to extend the result to functions g which do not necessarily vanish when one site in their domain is empty. This case is easily derived, since any function g depending on vertices x_1, \dots, x_M can be rewritten

$$(B.2) \quad g(\hat{\eta}_{x_1}, \dots, \hat{\eta}_{x_M}) = \sum_{B \subset \{1, \dots, M\}} g_B(\theta_{x_i}, i \in B),$$

where $g_B(\theta_{x_i}, i \in B)$ is defined in the following fashion : recall that $\hat{\eta}_x = (\eta_x, \theta_x)$, with $\theta_x = 0$ if $\eta_x = 0$, and let us assume that B is the set of increasing indexes i_1, \dots, i_p , then g_B is defined as

$$g_B(\theta_{x_{i_1}}, \dots, \theta_{x_{i_p}}) = \eta_{x_{i_1}} \dots \eta_{x_{i_p}} g((0, 0), \dots, (0, 0), (1, \theta_{x_{i_1}}), (0, 0), \dots, (0, 0), (1, \theta_{x_{i_p}}), (0, 0), \dots, (0, 0)).$$

These functions all vanish whenever one of their depending sites is empty, therefore according to the beginning of the proof, there exists a family of constants C_B such that for any $B \subset \{1, \dots, M\}$ we have

$$|\mathbb{E}_{\hat{\alpha}}(g_B) - \mathbb{E}_{\hat{\alpha}'}(g_B)| \leq C_B \|\hat{\alpha} - \hat{\alpha}'\|.$$

We now only need to let $C = \sum_{B \subset \{1, \dots, M\}} C_B$ to obtain thanks to the decomposition (B.2) that

$$|\mathbb{E}_{\hat{\alpha}}(g) - \mathbb{E}_{\hat{\alpha}'}(g)| \leq C \|\hat{\alpha} - \hat{\alpha}'\|$$

as intended. This completes the proof of Proposition B.2. \square

B.3. Compactness $(\mathcal{M}_1(\mathbb{S}), \|\cdot\|)$. —

Proposition B.3 (Compactness of $(\mathcal{M}_1(\mathbb{S}), \|\cdot\|)$. — *The metric space $(\mathcal{M}_1(\mathbb{S}), \|\cdot\|)$ introduced in Definition 3.2 is totally bounded and Cauchy complete, and is therefore compact.*

Proof of Proposition B.3. — The proof of the Cauchy-completeness is almost immediate, we treat it first. Consider a Cauchy sequence $(\hat{\alpha}_k)_{k \in \mathbb{N}} \in \mathcal{M}_1(\mathbb{S})^{\mathbb{N}}$, then by definition of $\|\cdot\|$, for any $g \in B^*$, the sequence $(\int_{\mathbb{S}} g(\theta) \hat{\alpha}_k(d\theta))_k$ is a real Cauchy sequence and therefore converges, and we can let

$$\int_{\mathbb{S}} g(\theta) \hat{\alpha}^*(d\theta) = \lim_{k \rightarrow \infty} \int_{\mathbb{S}} g(\theta) \hat{\alpha}_k(d\theta).$$

This definition can be extended to any $C^1(\mathbb{S})$ function g by letting

$$\int_{\mathbb{S}} g(\theta) \hat{\alpha}^*(d\theta) = \max(\|g\|_\infty, \|g'\|_\infty) \lim_{k \rightarrow \infty} \int_{\mathbb{S}} \frac{g(\theta)}{\max(\|g\|_\infty, \|g'\|_\infty)} \hat{\alpha}_k(d\theta).$$

This defines a measure $\hat{\alpha}^*$ on \mathbb{S} , whose total mass is given by

$$\int_{\mathbb{T}^2} \hat{\alpha}^*(d\theta) = \lim_{k \rightarrow \infty} \int_{\mathbb{T}^2} \hat{\alpha}_k(d\theta) \in [0, 1],$$

which proves the Cauchy completeness of $(\mathcal{M}_1(\mathbb{S}), \|\cdot\|)$.

We now prove that $(\mathcal{M}_1(\mathbb{S}), \|\cdot\|)$ is totally bounded. For any integer n , we are going to construct a finite set $\mathcal{M}_{1,n} \subset \mathcal{M}_1(\mathbb{S})$ such that

$$\sup_{\hat{\alpha} \in \mathcal{M}_1(\mathbb{S})} \inf_{\hat{\alpha}' \in \mathcal{M}_{1,n}} \|\hat{\alpha} - \hat{\alpha}'\| \leq \frac{1}{n}.$$

For any $n \in \mathbb{N}$ and any $j \in \llbracket 0, n-1 \rrbracket$, we denote $\theta_{j,n} = 2\pi j/n$, and $\theta_{n,n} = \theta_{0,n} = 0$. We can now define

$$\mathcal{M}_{1,n} = \left\{ \sum_{j=0}^{n-1} \frac{k_j}{n^2} \delta_{\theta_{j,n}}, \quad k_j \in \llbracket 0, n^2 \rrbracket, \quad \sum_j k_j \leq n^2 \right\}.$$

The inclusion $\mathcal{M}_{1,n} \subset \mathcal{M}_1(\mathbb{S})$ is trivial thanks to the condition $\sum_j k_j \leq n^2$, and $\mathcal{M}_{1,n}$ is finite since the k_j 's can each take only a finite number of values. We now prove that any angle measure $\hat{\alpha} \in \mathcal{M}_1(\mathbb{S})$ is at distance at most $1/n$ of an element $\hat{\alpha}_n \in \mathcal{M}_{1,n}$.

Fix an angle measure $\hat{\alpha} \in \mathcal{M}_1(\mathbb{S})$, and let

$$k_j = \lfloor n^2 \hat{\alpha}(\llbracket \theta_{j,n}, \theta_{j+1,n} \rrbracket) \rfloor.$$

Since $\hat{\alpha} \in \mathcal{M}_1(\mathbb{S})$, its total mass is in $[0, 1]$, and the conditions $k_j \in \llbracket 0, n^2 \rrbracket$ and $\sum_j k_j \leq n^2$ are trivially verified. We now let

$$\hat{\alpha}_n = \sum_{j=0}^{n-1} \frac{k_j}{n^2} \delta_{\theta_{j,n}},$$

and prove that $\|\hat{\alpha} - \hat{\alpha}_n\| \leq 2/n$. Fix a function $g \in C^1(\mathbb{S})$ such that $\max(\|g\|_\infty, \|g'\|_\infty) \leq 1$, we can write

$$\begin{aligned} \int_{\mathbb{S}} g(\theta) (\hat{\alpha} - \hat{\alpha}_n)(d\theta) &= \sum_{j=0}^{n-1} \int_{\theta_{j,n}}^{\theta_{j+1,n}} g(\theta) \hat{\alpha}(d\theta) - \frac{k_j}{n^2} g(\theta_{j,n}) \\ &= \sum_{j=0}^{n-1} \hat{\alpha}(\llbracket \theta_{j,n}, \theta_{j+1,n} \rrbracket) g(\theta_{j,n}) - \frac{k_j}{n^2} g(\theta_{j,n}) + \sum_{j=0}^{n-1} \int_{\theta_{j,n}}^{\theta_{j+1,n}} (g(\theta) - g(\theta_{j,n})) \hat{\alpha}(d\theta) \\ &\leq \sum_{j=0}^{n-1} \|g\|_\infty \underbrace{\left| \hat{\alpha}(\llbracket \theta_{j,n}, \theta_{j+1,n} \rrbracket) - \frac{k_j}{n^2} \right|}_{\leq 1/n^2} + \sum_{j=0}^{n-1} \|g'\|_\infty \underbrace{|\theta_{j+1,n} - \theta_{j,n}|}_{\leq 1/n} \int_{\theta_{j,n}}^{\theta_{j+1,n}} \hat{\alpha}(d\theta) \\ &\leq \frac{\|g\|_\infty + \|g'\|_\infty}{n} \leq 2/n. \end{aligned}$$

Finally, we have proved that

$$\|\hat{\alpha} - \hat{\alpha}_n\| \leq 2/n,$$

which proves that $\mathcal{M}_1(\mathbb{S})$ is totally bounded. This, together with the Cauchy completeness, immediately yields the compactness, and concludes the proof of Proposition B.3. \square

Appendix C

Proof of Theorem 6.25 : Limiting space-time covariance

In this Appendix we give for the sake of exhaustivity the proof of Theorem 6.25. The strategy of the proof, whose heuristics has been given just after the theorem, follows the same scheme as in Section 7.4 of [27].

Recall that we denoted

$$\ll f \gg_{\hat{\alpha}} = \sup_{\substack{g \in \mathcal{T}_0^\omega \\ a, b \in \mathbb{R}^2}} \left\{ 2\mathbb{E}_{\hat{\alpha}} \left(f \cdot \left[\Sigma_g + \sum_{y \in \mathbb{Z}^2} (y \cdot a) \eta_y^\omega + (y \cdot b) \eta_y \right] \right) - \left\| \nabla \Sigma_g + \mathbf{j}^{a,b} \right\|_{2, \hat{\alpha}}^2 \right\}.$$

We first want to prove that for any sequence $(\widehat{K}_l)_l$ such that

$$\widehat{\alpha}_{\widehat{K}_l} \xrightarrow{l \rightarrow \infty} \widehat{\alpha},$$

in the sense of Definition 3.2, and any cylinder function ψ , we have

$$\lim_{l \rightarrow \infty} \frac{1}{(2l+1)^2} \mathbb{E}_{l, \widehat{K}_l} \left((-\mathcal{L}_l)^{-1} \sum_{x \in B_{l_\psi}} \tau_x \psi \cdot \sum_{x \in B_{l_\psi}} \tau_x \psi \right) = \ll \psi \gg_{\widehat{\alpha}}.$$

In the left-hand side above, the integer l_ψ is defined in such a way that $\sum_{x \in B_{l_\psi}} \tau_x \psi$ is measurable with respect to the spins in B_l . We are going to prove the previous identity as two separate inequalities, stated as distinct Lemmas.

Lemma C.1. — *Under the assumptions of Theorem 6.25,*

$$\limsup_{l \rightarrow \infty} \frac{1}{(2l+1)^2} \mathbb{E}_{l, \widehat{K}_l} \left((-\mathcal{L}_l)^{-1} \sum_{x \in B_{l_\psi}} \tau_x \psi \cdot \sum_{x \in B_{l_\psi}} \tau_x \psi \right) \leq \ll \psi \gg_{\widehat{\alpha}}.$$

Proof of Lemma C.1. — The first step to prove the inequality above is the replacement of the canonical measure $\mu_{\widehat{K}_l, l}$ by the grand canonical measure $\mu_{\widehat{\alpha}}$ thanks to the equivalence of ensembles stated in Proposition B.1. The main obstacle in doing so is that the support of the function whose expectation we want to estimate grows with l . To circumvent this obstacle, we split the sum of translations of ψ in finite boxes with respect to l and bound the difference.

Since the Dirichlet form is non-negative, the application $(f, g) \rightarrow -\mathbb{E}_{l, \widehat{K}_l}(f \mathcal{L}_l g)$ is an inner product on the subspace of \mathcal{C}_0 of functions measurable w.r.t. \mathcal{F}_l . We proved along with the integration by parts formula of Lemma 5.1, any such f is in the range of \mathcal{L}_l , and can be rewritten $f = -\mathcal{L}_l g$, thus

$$\mathbb{E}_{\widehat{K}_l, l}(f(-\mathcal{L}_l)^{-1}f)^{1/2} = \mathbb{E}(g(-\mathcal{L}_l)g)^{1/2}$$

is a norm and defines via polarization identities another inner product. We are therefore able to write the variational formula

$$\mathbb{E}_{l, \widehat{K}_l} \left((-\mathcal{L}_l)^{-1} \sum_{x \in B_{l_\psi}} \tau_x \psi \cdot \sum_{x \in B_{l_\psi}} \tau_x \psi \right) = \sup_{h \in \mathcal{T}_0^\omega} \left\{ 2\mathbb{E}_{l, \widehat{K}_l} \left(\sum_{x \in B_{l_\psi}} \tau_x \psi \cdot h \right) - \mathbb{E}_{l, \widehat{K}_l} (h \cdot (-\mathcal{L}_l h)) \right\}$$

The second term in the right-hand side is the Dirichlet form of the exclusion process restricted $\Sigma_l^{\widehat{K}_l}$, which we denote by $\mathcal{D}(\mu_{l, \widehat{K}_l}, h)$. Regarding the first part, thanks to the integration by parts formula stated in Lemma 5.1 and to the elementary inequality $2ab \leq \gamma^{-1}a^2 + \gamma b^2$, we can write

$$\begin{aligned} 2\mathbb{E}_{l, \widehat{K}_l} \left(\sum_{x \in B_{l_\psi}} \tau_x \psi \cdot h \right) &= 2 \sum_{x \in B_{l_\psi}} \sum_{a \in B_\psi(x)} \mathbb{E}_{l, \widehat{K}_l} (I_a(\tau_x \psi) \cdot \nabla_a h) \\ &\leq \sum_{x \in B_{l_\psi}} \sum_{a \in B_\psi(x)} \frac{1}{\gamma} \mathbb{E}_{l, \widehat{K}_l} (I_a(\tau_x \psi)^2) + \gamma \mathbb{E}_{l, \widehat{K}_l} ((\nabla_a h)^2) \end{aligned}$$

which holds for any positive constant γ . The first term $\gamma^{-1} \sum_{a \in B_\psi(x)} \mathbb{E}_{l, \widehat{K}_l} (I_a(\tau_x \psi)^2)$ does not depend on x , and since ψ is a local function, $\mathbb{E}_{l, \widehat{K}_l} (I_a(\tau_x \psi)^2)$ is bounded by some constant depending only on ψ . The first part of the whole sum above is therefore bounded by $\gamma^{-1}(2l+1)^2 |B_\psi| C_1(\psi)$. Regarding the second term, the number of time each edge a appears can be crudely bounded by $2|B_\psi|$, which means that

$$\gamma \sum_{x \in B_{l_\psi}} \sum_{a \in x+B_\psi} \mathbb{E}_{l, \widehat{K}_l} ((\nabla_a h)^2) \leq 2\gamma |B_\psi| \mathcal{D}(\mu_{l, \widehat{K}_l}, h),$$

therefore for some well chosen constant γ

$$(C.1) \quad 2\mathbb{E}_{l, \widehat{K}_l} \left(\sum_{x \in B_{l_\psi}} \tau_x \psi \cdot h \right) \leq (2l+1)^2 C_3(\psi) + \frac{1}{2} \mathcal{D}(\mu_{l, \widehat{K}_l}, h)$$

and we have the upper bound

$$\mathbb{E}_{l, \widehat{K}_l} \left((-\mathcal{L}_l)^{-1} \sum_{x \in \dot{B}_{l, \psi}} \tau_x \psi \cdot \sum_{x \in B_{l, \psi}} \tau_x \psi \right) \leq \sup_{h \in \mathcal{T}_0^\omega} \left\{ (2l+1)^2 C_3(\psi) - \frac{1}{2} \mathcal{D}(\mu_{l, \widehat{K}_l}, h) \right\}.$$

The left-hand side is non-negative, whereas the quantity inside braces is negative for any function h with Dirichlet form $\mathcal{D}(\mu_{l, \widehat{K}_l}, h)$ greater than $2(2l+1)^2 C_3(\psi)$. Regarding the variational formula above, we can therefore restrict ourselves to functions h with Dirichlet form bounded by $2(2l+1)^2 C_3(\psi)$.

As in the proof of the one-block-estimate, let k be an integer that will go to ∞ after l , and let us divide B_l into disjoint boxes B^0, \dots, B^p , where $p = \lfloor \frac{(2l+1)^2}{(2k+1)^2} \rfloor$, and $B^0 = B_l - \cup_{i=1}^p B^i$, whose cardinal is bounded by Ckl for some constant C . Recall that s_ψ is the smallest integer such that ψ is measurable with respect to the spins in B_{s_ψ} . Let us denote by \dot{B}^i and ∂B^i the interior and the frontier of B^i , defined as

$$\dot{B}^i = \{x \in B^i, d(x, B^{i,c}) \geq s_\psi\} \text{ and } \partial B^i = B^i - \dot{B}^i.$$

Finally, let us denote

$$\dot{B}_l = \cup_{i=1}^p \dot{B}^i \text{ and } \partial B_l = B_l - \dot{B}_l.$$

Let h be a function in \mathcal{T}_0^ω , we can split

$$(C.2) \quad \sum_{x \in B_{l, \psi}} \mathbb{E}_{l, \widehat{K}_l} (\tau_x \psi \cdot h) = \sum_{x \in \dot{B}_l} \mathbb{E}_{l, \widehat{K}_l} (\tau_x \psi \cdot h) + \sum_{x \in \partial B_l \cap B_{l, \psi}} \mathbb{E}_{l, \widehat{K}_l} (\tau_x \psi \cdot h).$$

With the same method we used to get equation (C.1), we obtain that the second part of the right-hand side of the equation above can be bounded up by

$$C_4(\psi) \min_{\gamma > 0} \{ \gamma^{-1} |\partial B_l| + \gamma l^2 \}$$

for any h with Dirichlet form bounded by $C_5(\psi)l^2$. This minimum is obtained for $\gamma = \sqrt{|\partial B_l| l^{-2}}$. The number of boundary sites in $|\partial B_l|$ can also be bounded by the number of sites in the boundaries of the B^i 's added to the number of terms in B^0 , hence $|\partial B_l| \leq C_6(\psi)(l^2 k^{-1} + kl)$ this yields that

$$\sum_{x \in \partial B_l \cap B_{l, \psi}} \mathbb{E}_{l, \widehat{K}_l} (\tau_x \psi \cdot h) = C_7(\psi) \sqrt{|\partial B_l| l^2} \leq C_8(\psi) l^2 \sqrt{k^{-1} + kl^{-1}}$$

Regarding the first part of the right-hand side in equation (C.2), we defined the \dot{B}^i 's in such a way that for any $x \in \dot{B}^i$, $\tau_x \psi$ is measurable with respect to the spins in B^i . In that prospect, for any function h , let us denote $h_i = \mathbb{E}_{l, \widehat{K}_l} (h | \eta_x, x \in B^i)$ the conditional expectation of h with respect to the spins in B^i . We hence have for any $x \in B^i$ that $\mathbb{E}_{l, \widehat{K}_l} (h \tau_x \psi) = \mathbb{E}_{l, \widehat{K}_l} (h_i \tau_x \psi)$. For any finite set B , let $\mathcal{D}_B(\mu_{l, \widehat{K}_l}, h)$ be the restriction of the Dirichlet form to edges with both ends in B . Because we lost the edges between the B^i 's, and thanks to the convexity of the Dirichlet form already used, we have

$$\mathcal{D}(\mu_{l, \widehat{K}_l}, h) \geq \sum_{i=1}^p \mathcal{D}_{B^i}(\mu_{l, \widehat{K}_l}, h) \geq \sum_{i=1}^p \mathcal{D}_{B^i}(\mu_{l, \widehat{K}_l}, h_i),$$

therefore $2\mathbb{E}_{l, \widehat{K}_l} \left(\sum_{x \in B_{l, \psi}} \tau_x \psi \cdot h \right) - \mathbb{E}_{\widehat{K}_l, l} (h \cdot (-\mathcal{L}_l h))$ is less than

$$\sum_{i=1}^p \left\{ 2 \sum_{x \in \dot{B}^i} \mathbb{E}_{l, \widehat{K}_l} (\tau_x \psi \cdot h_i) - \mathcal{D}_{B^i}(\mu_{l, \widehat{K}_l}, h_i) \right\} + C_8(\psi) l^2 \sqrt{k^{-1} + kl^{-1}}.$$

Let M_k be the space of functions in \mathcal{T}_0^ω measurable with respect to the spins in B_k , the supremum of the expression above over all functions h can be bounded from above, since all the terms in the sum in i above are identically distributed, by

$$p. \sup_{f \in M_k} \left\{ 2 \sum_{x \in \dot{B}_k} \mathbb{E}_{l, \widehat{K}_l} (\tau_x \psi \cdot f) - \mathcal{D}_{B_k}(\mu_{l, \widehat{K}_l}, f) \right\} + C(\psi) (2l+1)^2 \sqrt{k^{-1} + kl^{-1}}.$$

Now since p is roughly equal to $(2l+1)^2(2k+1)^{-2}$, the quantity of interest to prove Lemma C.1

$$\limsup_{l \rightarrow \infty} \frac{1}{(2l+1)^2} \mathbb{E}_{l, \hat{K}_l} \left(\mathcal{L}_l^{-1} \sum_{x \in B_{l_\psi}} \tau_x \psi \cdot \sum_{x \in B_{l_\psi}} \tau_x \psi \right)$$

is bounded from above for any k by

$$\begin{aligned} & \frac{1}{(2k+1)^2} \limsup_{l \rightarrow \infty} \sup_{f \in M_k} \left\{ 2 \sum_{x \in \hat{B}_k} \mathbb{E}_{l, \hat{K}_l} (\tau_x \psi \cdot f) - \mathcal{D}_{B_k}(\mu_{l, \hat{K}_l}, f) \right\} + C(\psi) \sqrt{k^{-1}} \\ &= \frac{1}{(2k+1)^2} \limsup_{l \rightarrow \infty} \mathbb{E}_{l, \hat{K}_l} \left(\left[\sum_{|x| \leq k-s_\psi} \tau_x \psi \right] (-\mathcal{L}_k)^{-1} \left[\sum_{|x| \leq k-s_\psi} \tau_x \psi \right] \right) + C(\psi) \sqrt{k^{-1}} \end{aligned}$$

thanks to the variational formula for the variance introduced at the beginning of the proof. Thanks to the equivalence of ensembles stated in Proposition B.1, since the function inside the expectation now has finite support, we can replace in the limit l goes to infinity and $\hat{K}_l(2l+1)^{-2} \rightarrow \hat{\alpha}$ the expectation above by the grand canonical measure $\mu_{\hat{\alpha}}$. Finally, taking the limit as $k \rightarrow \infty$,

$$\begin{aligned} & \limsup_{l \rightarrow \infty} \frac{1}{(2l+1)^2} \mathbb{E}_{l, \hat{K}_l} \left((-\mathcal{L}_l)^{-1} \sum_{x \in B_{l_\psi}} \tau_x \psi \cdot \sum_{x \in B_{l_\psi}} \tau_x \psi \right) \\ & \leq \limsup_{k \rightarrow \infty} \frac{1}{(2k+1)^2} \mathbb{E}_{\hat{\alpha}} \left((-\mathcal{L}_k)^{-1} \sum_{x \in B_{k_\psi}} \tau_x \psi \cdot \sum_{x \in B_{k_\psi}} \tau_x \psi \right). \end{aligned}$$

Now that we have replaced the canonical measure by the grand canonical measure, we are ready to complete the proof of Lemma C.1, which is reduced to showing that

$$(C.3) \quad \limsup_{k \rightarrow \infty} \frac{1}{(2k+1)^2} \mathbb{E}_{\hat{\alpha}} \left((-\mathcal{L}_k)^{-1} \sum_{x \in B_{k_\psi}} \tau_x \psi \cdot \sum_{x \in B_{k_\psi}} \tau_x \psi \right) \leq \ll \psi \gg_{\hat{\alpha}}.$$

The left-hand side in the equation above is equal thanks to the variational formula for the variance to

$$\frac{1}{(2k+1)^2} \sup_{f \in M_k} \left\{ 2 \sum_{x \in B_{k_\psi}} \mathbb{E}_{\hat{\alpha}} (\tau_x \psi \cdot f) - \mathcal{D}_{B_k}(\mu_{\hat{\alpha}}, f) \right\}.$$

For the same reason as before, for some constant $C(\psi)$, the quantity above is negative for any f $\sigma(\mathcal{F}_k)$ -measurable with Dirichlet form with respect to $\mu_{\hat{\alpha}}$ not bounded by $C(\psi)k^2$. Using once again the integration by parts formula of Lemma 5.1 yields

$$\mathbb{E}_{\hat{\alpha}} (\tau_x \psi \cdot f) = \sum_{x \in B_\psi(x)} \mathbb{E}_{\hat{\alpha}} (I_a(\tau_x \psi) \nabla_a f),$$

where $I_a(\psi) = (1/2) \nabla_a (-\mathcal{L}_{s_\psi})^{-1} \psi$. For any edge a , let us denote $B^\psi(a)$ the set of sites $x \in \mathbb{Z}^2$ such that a is in $B_\psi(x)$, and $\tilde{B}_k^\psi(a) = B^\psi(a) \cap B_{k_\psi}$. Note that for any edge $a \in B_{k_\psi-s_\psi}$, these two sets coincide. The integration by parts formula then allows us to write

$$\begin{aligned} \sum_{x \in B_{k_\psi}} \mathbb{E}_{\hat{\alpha}} (\tau_x \psi \cdot f) &= \sum_{a \in B_k} \sum_{x \in \tilde{B}_k^\psi(a)} \mathbb{E}_{\hat{\alpha}} (I_a(\tau_x \psi) \nabla_a f) \\ &= \sum_{a \in B_k} \sum_{x \in B^\psi(a)} \mathbb{E}_{\hat{\alpha}} (I_a(\tau_x \psi) \nabla_a f) - \sum_{a \in B_k} \sum_{x \in B^\psi \setminus \tilde{B}_k^\psi(a)} \mathbb{E}_{\hat{\alpha}} (I_a(\tau_x \psi) \nabla_a f) \\ &= \sum_{a \in B_k} \sum_{x \in B^\psi(a)} \mathbb{E}_{\hat{\alpha}} (I_a(\tau_x \psi) \nabla_a f) - \sum_{a \in B_k \setminus B_{k_\psi-s_\psi}} \sum_{x \in B^\psi \setminus \tilde{B}_k^\psi(a)} \mathbb{E}_{\hat{\alpha}} (I_a(\tau_x \psi) \nabla_a f). \end{aligned}$$

By Schwarz inequality, the second sum in the right-hand side is smaller than

$$\begin{aligned}
 & \sum_{a \in B_k \setminus B_{k\psi-s\psi}} \sum_{x \in B^\psi \setminus \tilde{B}_k^\psi(a)} \mathbb{E}_{\hat{\alpha}}(I_a(\tau_x \psi) \nabla_a f) \\
 & \leq \mathbb{E}_{\hat{\alpha}} \left[\left(\sum_{a \in B_k \setminus B_{k\psi-s\psi}} \left(\sum_{x \in B^\psi \setminus \tilde{B}_k^\psi(a)} I_a(\tau_x \psi) \right)^2 \right)^{1/2} \left(\sum_{a \in B_k \setminus B_{k\psi-s\psi}} (\nabla_a f)^2 \right)^{1/2} \right] \\
 & \leq \mathbb{E}_{\hat{\alpha}} \left[\sum_{a \in B_k \setminus B_{k\psi-s\psi}} \left(\sum_{x \in B^\psi \setminus \tilde{B}_k^\psi(a)} I_a(\tau_x \psi) \right)^2 \right]^{1/2} \mathbb{E}_{\hat{\alpha}} \left[\sum_{a \in B_k \setminus B_{k\psi-s\psi}} (\nabla_a f)^2 \right]^{1/2} \\
 & \leq \mathbb{E}_{\hat{\alpha}} \left[\sum_{a \in B_k \setminus B_{k\psi-s\psi}} \sum_{x \in B^\psi} Ck I_a(\tau_x \psi)^2 \right]^{1/2} [\mathcal{D}_{B_k}(\mu_{\hat{\alpha}}, f)]^{1/2}, \\
 & \leq \left(Ck \sum_{a \in B_k \setminus B_{k\psi-s\psi}} \underbrace{\mathbb{E}_{\hat{\alpha}} \left[\sum_{x \in B^\psi} I_a(\tau_x \psi)^2 \right]}_{\leq C(\psi)} \right)^{1/2} [\mathcal{D}(f)]^{1/2}.
 \end{aligned}$$

The latter is of order $k^{d/2}$, and therefore vanishes in the limit $k \rightarrow \infty$. Letting $\bar{I}_a(\psi) = \sum_{x \in B^\psi(a)} I_a(\tau_x \psi)$, the left-hand side of equation (C.3) is therefore smaller in the limit $k \rightarrow \infty$ than

$$\frac{1}{(2k+1)^2} \sup_{f \in M_k} \left\{ 2 \sum_{a \in B_k} \mathbb{E}_{\hat{\alpha}}(\bar{I}_a(\psi) \nabla_a f) - \mathcal{D}_{B_k}(\mu_{\hat{\alpha}}, f) \right\}.$$

Let $(f_k)_k$ be a family of functions such that f_k is \mathcal{F}_{B_k} -measurable function in T_0 , such that the limsup of the quantity above verifies

$$\begin{aligned}
 \text{(C.4)} \quad & \limsup_{k \rightarrow \infty} \frac{1}{(2k+1)^2} \sup_{f \in M_k} \left\{ 2 \sum_{a \in B_k} \mathbb{E}_{\hat{\alpha}}(\bar{I}_a(\psi) \nabla_a f) - \mathcal{D}_{B_k}(\mu_{\hat{\alpha}}, f) \right\} \\
 & = \lim_{k \rightarrow \infty} \frac{1}{(2k+1)^2} \left\{ 2 \sum_{a \in B_k} \mathbb{E}_{\hat{\alpha}}(\bar{I}_a(\psi) \nabla_a f_k) - \mathcal{D}_{B_k}(\mu_{\hat{\alpha}}, f_k) \right\}.
 \end{aligned}$$

Thanks to the translation invariance of $\mu_{\hat{\alpha}}$, and since $\tau_y \bar{I}_a(\psi) = \bar{I}_{\tau_y a}(\psi)$, letting $y = a_1$ be the first site of the edge $a = (a_1, a_2)$, we have

$$\mathbb{E}_{\hat{\alpha}}(\bar{I}_a(\psi) \nabla_a f_k) = \mathbb{E}_{\hat{\alpha}}(\bar{I}_{(0, a_2 - a_1)}(\psi) \nabla_{(0, a_2 - a_1)} \tau_{-a_1} f_k).$$

As seen before, a simple change of variable yields that $\mathbb{E}_{\hat{\alpha}}(\nabla_a f \cdot \nabla_a g) = \mathbb{E}_{\hat{\alpha}}(\nabla_{-a} f \cdot \nabla_{-a} g)$, from which we deduce

$$2 \sum_{a \in B_k} \mathbb{E}_{\hat{\alpha}}(\bar{I}_a(\psi) \nabla_a f_k) = 4 \sum_{i=1}^2 \mathbb{E}_{\hat{\alpha}} \left(\bar{I}_{(0, e_i)}(\psi) \cdot \nabla_{(0, e_i)} \sum_{x, x+e_i \in B_k} \tau_{-x} f_k \right).$$

Let us introduce

$$\mathbf{u}_i^k = \frac{1}{(2k+1)^2} \nabla_{(0, e_i)} \sum_{x, x+e_i \in B_k} \tau_{-x} f_k \in T_i^\omega,$$

where $T_i^\omega = \overline{T_0^\omega}$ is the closure of T_0^ω in E_i

$$E_i = \left\{ f, \mathbb{E}_{\hat{\alpha}} \left(\mathbb{1}_{\{\eta_0 \eta_{e_i} = 0\}} f^2 \right) < \infty \right\}.$$

The L^2 norm of the differential form \mathbf{u}^k can be bounded since $(\sum_{i=1}^n a_i)^2 \leq n \sum_{i=1}^n a_i^2$ by

$$\begin{aligned} \sum_{i=1}^2 \mathbb{E}_{\hat{\alpha}}((\mathbf{u}_i^k)^2) &\leq \frac{2k(2k+1)}{(2k+1)^4} \sum_{x, x+e_i \in B_k} \mathbb{E}_{\hat{\alpha}}\left(\left(\nabla_{(x, x+e_i)} f_k\right)^2\right) \\ &= \frac{2k}{(2k+1)^3} \mathcal{D}_{B_k}(\mu_{\hat{\alpha}}, f_k) \end{aligned}$$

Thanks to this inequality, equation (C.4) yields

$$(2k+1)^{-2} \mathbb{E}_{\hat{\alpha}} \left((-\mathcal{L}_k)^{-1} \sum_{x \in B_{k\psi}} \tau_x \psi \cdot \sum_{x \in B_{k\psi}} \tau_x \psi \right) \leq \lim_{k \rightarrow \infty} \left\{ 4 \sum_{i=1}^2 \mathbb{E}_{\hat{\alpha}}(\bar{I}_{(0, e_i)}(\psi) \cdot \mathbf{u}_i^k) - \sum_{i=1}^2 \mathbb{E}_{\hat{\alpha}}((\mathbf{u}_i^k)^2) \right\}$$

The inequality above and the control over the Dirichlet form of the f_k 's guarantee that the sequence of differential forms $(\mathbf{u}^k)_{k \in \mathbb{N}}$ is bounded in $L^2(\mu_{\hat{\alpha}})$. Let $\mathbf{u} = (\mathbf{u}_1, \mathbf{u}_2)$ be a limit point of the sequence, thanks to the gradient in the expression of the \mathbf{u}^k 's, \mathbf{u} is in $\mathfrak{C}_{\hat{\alpha}} \cap \mathfrak{T}^\omega$, as introduced in Section 6.6. Proposition 6.14 thus yields the estimate

$$\begin{aligned} \lim_{k \rightarrow \infty} \left\{ 4 \sum_{i=1}^2 \mathbb{E}_{\hat{\alpha}}(\bar{I}_{(0, e_i)}(\psi) \cdot \mathbf{u}_i^k) - \sum_{i=1}^2 \mathbb{E}_{\hat{\alpha}}((\mathbf{u}_i^k)^2) \right\} \\ \leq \sup_{\substack{g \in \mathcal{T}_0^\omega \\ a, b \in \mathbb{R}^2}} \left\{ 4 \sum_{i=1}^2 \mathbb{E}_{\hat{\alpha}}(\bar{I}_{(0, e_i)}(\psi) \cdot (\mathbf{j}_i^{a, b} + \nabla_{(0, e_i)} \Sigma_g)) - \sum_{i=1}^2 \mathbb{E}_{\hat{\alpha}}((\mathbf{j}_i^{a, b} + \nabla \Sigma_g)^2) \right\} \\ = \sup_{\substack{g \in \mathcal{T}_0^\omega \\ a, b \in \mathbb{R}^2}} \left\{ 2 \mathbb{E}_{\hat{\alpha}} \left(\psi \cdot \left[\Sigma_g + \sum_{y \in \mathbb{Z}^2} (y \cdot a) \eta_y^\omega + (y \cdot b) \eta_y \right] \right) - \left\| \nabla \Sigma_g + \mathbf{j}^{a, b} \right\|_{2, \hat{\alpha}}^2 \right\}. \end{aligned}$$

The last identity is easily checked and is a direct consequence of the integration by parts formula (cf. Proof of Proposition 6.27 in Section 6.8). The right-hand-side above is $\ll \cdot \gg_{\hat{\alpha}}$ as defined in Theorem 6.25, which concludes the proof of the first Lemma. \square

The second inequality is more straightforward, since this time the supremum works in our favor.

Lemma C.2. — *Under the assumption of Theorem 6.25,*

$$(C.5) \quad \limsup_{l \rightarrow \infty} \frac{1}{(2l+1)^2} \mathbb{E}_{l, \hat{K}_l} \left((-\mathcal{L}_l^{-1}) \sum_{x \in B_{l\psi}} \tau_x \psi \cdot \sum_{x \in B_{l\psi}} \tau_x \psi \right) \geq \ll \psi \gg_{\hat{\alpha}}.$$

Proof of Lemma C.2. — We start once again with the variational formula

$$(C.6) \quad \begin{aligned} -\mathbb{E}_{l, \hat{K}_l} \left(\mathcal{L}_l^{-1} \sum_{x \in B_{l\psi}} \tau_x \psi \cdot \sum_{x \in B_{l\psi}} \tau_x \psi \right) &= \sup_{h \in L^2(\mu_{l, \hat{K}_l}) \cap T_0} \left\{ 2 \mathbb{E}_{l, \hat{K}_l} \left(\sum_{x \in B_{l\psi}} \tau_x \psi \cdot h \right) - \mathbb{E}_{\hat{K}_l, l} (h \cdot (-\mathcal{L}_l h)) \right\} \\ &\geq \sup_{h \in F} \left\{ 2 \mathbb{E}_{l, \hat{K}_l} \left(\sum_{x \in B_{l\psi}} \tau_x \psi \cdot h \right) - \mathbb{E}_{\hat{K}_l, l} (h \cdot (-\mathcal{L}_l h)) \right\}, \end{aligned}$$

where F is the subspace of $L^2(\mu_{l, \hat{K}_l}) \cap T_0$

$$F = F_l = \left\{ h_{g, a, b, l} = \sum_{x \in B_{lg}} \tau_x g + \sum_{x \in B_l} ((a \cdot x) \eta_x^\omega + (b \cdot x) \eta_x), \quad g \in \mathcal{T}_0^\omega, a, b \in \mathbb{R}^2 \right\}.$$

We first show that in the variational formula above, we can replace in the limit $l \rightarrow \infty$ the canonical measures by the grand canonical measure $\mu_{\hat{\alpha}}$. Regarding the first term, for any $h_{g, a, b} \in F$,

$$\begin{aligned} & \frac{1}{(2l+1)^2} \mathbb{E}_{l, \hat{K}_l} \left(\sum_{x \in B_{l_\psi}} \tau_x \psi \cdot h_{g,a,b,l} \right) \\ &= \frac{1}{(2l+1)^2} \sum_{x \in B_{l_\psi}} \mathbb{E}_{l, \hat{K}_l} \left(\tau_x \psi \left[\sum_{|y| \leq l_g} \tau_y g + \sum_{y \in B_l} ((a.y)\eta_y^\omega + (b.y)\eta_y) \right] \right). \end{aligned}$$

This time, for some fixed $x \in B_{l_\psi}$, the function inside the expectation is local because $\tau_x \psi$ is, and Proposition B.1 guarantees that in the limit of the quantity above as $l \rightarrow \infty$, we can replace μ_{l, \hat{K}_l} by $\mu_{\hat{\alpha}}$. The translation invariance of $\mu_{\hat{\alpha}}$, then yields

$$\lim_{l \rightarrow \infty} \frac{1}{(2l+1)^2} \mathbb{E}_{l, \hat{K}_l} \left(\sum_{x \in B_{l_\psi}} \tau_x \psi \cdot h_{g,a,b,l} \right) = \mathbb{E}_{\hat{\alpha}} \left(\psi \sum_{y \in \mathbb{Z}^2} \left[\tau_y g + \sum_{i=1}^2 ((a.x)\eta_y^\omega + (b.y)\eta_y) \right] \right).$$

Let us now switch to the second part of (C.6). For any $h = h_{g,a,b,l} \in F$, we have, since

$$\sum_{|x| \leq l} x_i \mathcal{L}_l \eta_x^\omega = \sum_{x, x+e_i \in B_l} j_{x, x+e_i}^\omega,$$

that

$$\begin{aligned} \frac{1}{(2l+1)^2} \mathbb{E}_{\hat{K}_l} (h \cdot (-\mathcal{L}_l h)) &= \frac{1}{(2l+1)^2} \left(-\mathbb{E}_{l, \hat{K}_l} \left(\left[\sum_{|x| \leq l_g} \tau_x g \right] \mathcal{L}_l \left[\sum_{|x| \leq l_g} \tau_x g \right] \right) \right. \\ &\quad \left. - 2 \mathbb{E}_{l, \hat{K}_l} \left(\left[\sum_{|x| \leq l_g} \tau_x g \right] \cdot \left[\sum_{x, x+e_i \in B_l} \tau_x (a.j^\omega) + (b.j) \right] \right) \right. \\ &\quad \left. - \mathbb{E}_{l, \hat{K}_l} \left(\left[\sum_{y \in B_l} ((a.y)\eta_y^\omega + (b.y)\eta_y) \right] \cdot \left[\sum_{x, x+e_i \in B_l} \tau_x (a.j^\omega) + (b.j) \right] \right) \right) \end{aligned}$$

Since there is no \mathcal{L}_l^{-1} , the functions are all still cylinder, and the equivalence of ensembles allows us to replace μ_{l, \hat{K}_l} by $\mu_{\hat{\alpha}}$. The first term in the right-hand side above can be rewritten thanks to the integration by parts formula as

$$\frac{1}{2(2l+1)^2} \sum_{a \subset B_l} \mathbb{E}_{l, \hat{K}_l} \left(\left[\nabla_a \sum_{|x| \leq l_g} \tau_x g \right]^2 \right) = \frac{1}{(2l+1)^2} \sum_{x, x+e_i \in B_l} \mathbb{E}_{l, \hat{K}_l} \left(\left[\nabla_{x, x+e_i} \sum_{|y| \leq l_g} \tau_y g \right]^2 \right).$$

For any $x \in B_{l-s_\psi-2}$, we have $\nabla_{x, x+e_i} \sum_{|y| \leq l_g} \tau_y g = \nabla_{x, x+e_i} \Sigma_g$, and since the number of terms in the crown $B_l - B_{l-s_\psi-2}$ is a $o(l^2)$, the previous quantity rewrites by translation invariance, in the limit $l \rightarrow \infty$ as $\mathbb{E}_{\hat{\alpha}} ((\nabla \Sigma_g)^2)$. Elementary computation and the translation invariance of $\mu_{\hat{\alpha}}$ yield that the second term

$$-\frac{2}{(2l+1)^2} \mathbb{E}_{l, \hat{K}_l} \left(\left[\sum_{|x| \leq l_g} \tau_x g \right] \cdot \left[\sum_{x, x+e_i \in B_l} \tau_x (a.j^\omega) + (b.j) \right] \right) \xrightarrow{l \rightarrow \infty} -2 \mathbb{E}_{\hat{\alpha}} ([a.j^\omega] + (b.j)) \Sigma_g.$$

Let us consider only the contribution of j_1^ω in the right-hand side in the identity above. The corresponding contribution is

$$\mathbb{E}_{\hat{\alpha}} (j_1^\omega \Sigma_g) = \mathbb{E}_{\hat{\alpha}} (\eta_0^\omega (1 - \eta_{e_1}) \Sigma_g(\hat{\eta})) - \mathbb{E}_{\hat{\alpha}} (\eta_{e_1}^\omega (1 - \eta_0) \Sigma_g(\hat{\eta})) = -\mathbb{E}_{\hat{\alpha}} (\eta_0^\omega (1 - \eta_{e_1}) \nabla_1 \Sigma_g),$$

which is equal to $-\mathbb{E}_{\hat{\alpha}} (j^i \cdot \nabla \Sigma_g)$. We deduce from this the identity

$$\mathbb{E}_{\hat{\alpha}} ([a.j^\omega] + (b.j)) \Sigma_g = -\mathbb{E}_{\hat{\alpha}} (j^{a,b} \cdot \nabla \Sigma_g).$$

Finally, elementary computations allow us to write regarding the last term

$$\frac{1}{(2l+1)^2} -\mathbb{E}_{l, \hat{K}_l} \left(\left[\sum_{y \in B_l} ((a.y)\eta_y^\omega + (b.y)\eta_y) \right] \cdot \left[\sum_{x, x+e_i \in B_l} \tau_x (a.j^\omega) + (b.j) \right] \right)$$

$$\xrightarrow{l \rightarrow \infty} \mathbb{E}_{\hat{\alpha}} \left(\|a\|^2 \eta_0^\omega (1 - \eta_{e_1}) + \|b\|^2 \eta_0 (1 - \eta_{e_1}) \right),$$

which is equal to $\mathbb{E}_{\hat{\alpha}}(\mathbf{j}^{a,b})^2$. These three limits finally yield

$$\lim_{l \rightarrow \infty} \frac{1}{(2l+1)^2} \mathbb{E}_{\hat{K}_l} (h_{g,a,b,l} \cdot (-\mathcal{L}_l) h_{g,a,b,l}) = \left\| \nabla \Sigma_g + \mathbf{j}^{a,b} \right\|_{2,\hat{\alpha}}^2,$$

and equation (C.6) holds, which gives inequality (C.5) and concludes the proof of the Lemma. \square

In order to complete the proof of Theorem 6.25, we still need to prove that the convergence is uniform in $\hat{\alpha}$, which will yield identity (6.82). Let us denote

$$V_{l,\psi}(\hat{K}(2l+1)^{-2}) = \frac{1}{(2l+1)^2} \mathbb{E}_{l,\hat{K}_l} \left(-\mathcal{L}_l^{-1} \sum_{x \in B_{l,\psi}} \tau_x \psi \cdot \sum_{x \in B_{l,\psi}} \tau_x \psi \right),$$

and let us extend smoothly the domain of definition of $V_{l,\psi}$ to $\mathcal{M}_1(\mathbb{S})$. The two previous Lemmas guarantee that $V_{l,\psi}(\hat{K}_l(2l+1)^{-2})$ converges as l goes to ∞ to $\ll \psi \gg_{\hat{\alpha}}$ as soon as \hat{K}_l converges towards the profile $\hat{\alpha}$, hence in particular, $V_{l,\psi}(\hat{\alpha}_l)$ converges as l goes to ∞ towards $\ll \psi \gg_{\hat{\alpha}}$ as soon as $\hat{\alpha}_l$ goes to $\hat{\alpha}$. For that reason, $\ll \cdot \gg_{\hat{\alpha}}$ is continuous, and $V_{l,\psi}(\hat{\alpha})$ converges uniformly in $\hat{\alpha}$ towards $\ll \psi \gg_{\hat{\alpha}}$ as l goes to ∞ . This, combined with the two lemmas C.1 and C.2, completes the proof of Theorem 6.25.

Index

E	set of edges $(\hat{\eta}, \hat{\eta}^{x,x+z})$, $\eta_x = 1$, $\eta_{x+z} = 0$, 80	\mathcal{S}	set of angle-blind functions, 12
$F^{\omega,p}(\hat{\alpha})$	cutoff density, $\mathbb{E}_{\hat{\alpha}}(\eta_0^\omega \mathbf{1}_{E_p})$, 57	Θ_K	a orderless family of K angles, 19
I_a	the "inverse" of ∇_a , 43	$ B $	number of sites in B , 17
Q^*	a limit point of the sequence $(Q^N)_{N \in \mathbb{N}}$, 57	$ z $	$\sum_i z_i $, 12
T_0^ω	set of semi angle-blind functions, 45	α	total mass of $\hat{\alpha}$, 18
$\tilde{\eta}_x$	modification of η_x^ω with mean 0 w.r.t. θ_x , 45	β	inverse temperature for \mathcal{L}^G , 13
\mathcal{C}_0	sum of $\tilde{\mathcal{C}}_0$ and J^ω , 43	$\hat{\rho}$	density profile on the torus, 13
\mathcal{L}_B	part of \mathcal{L} with jumps inside B , 43	$\hat{\rho}_0$	initial density profile on the torus, 14
\mathcal{L}_l	part of \mathcal{L} with jumps inside B_l , 43	\mathfrak{F}	natural application from \mathcal{C}_0 to $\mathcal{C}_{\hat{\alpha}}$, 99
$\mathcal{L}^{G,\beta=0}$	Glauber generator with $\beta = 0$, 23	η_x	occupation state of the site x , 11
$\mathcal{H}_{\hat{\alpha}}$	quotient of \mathcal{T}_0^ω by $\text{Ker} \ll \cdot \gg_{\hat{\alpha}}$, 106	η_x^Φ	$\Phi(\theta_x) \eta_x$, 17
∇_j	gradient due to a particle jump $0 \rightarrow e_j$, 20	$\tilde{\eta}$	family of the $\tilde{\eta}_x$, $x \in \mathbb{T}_N^2$, 12
$D(h)$	$\mathcal{D}(\sqrt{h})$, 20	$\tilde{\eta}^{[0,T]}$	element of $\Sigma_N^{[0,T]}$, 14
$D^{x,y}$	part of the Dirichlet form due to $\mathcal{L}_{x,y}$, 37	$\tilde{\eta}^{x,\theta}$	$\tilde{\eta}$ after setting $\theta_x = \theta$, 13
J^ω	linear span of the currents j_i, j_i^ω , 43	$\tilde{\eta}^{x,y}$	$\tilde{\eta}$ after inversion of $\tilde{\eta}^x$ and $\tilde{\eta}^y$, 13
$\tilde{\mathcal{C}}_0$	space of mean 0 func. w.r.t. any $\mu_{l,\hat{K}}$, 43	$\hat{\eta}_x$	the pair (η_x, θ_x) , 11
s_ψ	smallest l , ψ depends only on sites in B_l , 43	\mathbb{T}^2	continuous 2-dimensional torus, 13
\mathcal{C}	set of cylinder functions, 12	\mathbb{S}	set of angles $[0, 2\pi[$, 11
\mathcal{G}	the graph (Σ_∞, E) , 80	j_i	total instant. sym. current on $(0, 0 + e_i)$, 17
$\langle \pi, H \rangle$	integral of H w.r.t. the measure π , 16	j_i^ω	ω -weighted asym. current on $(0, e_i)$, 17
A_N	$[0, N]^2$, closed boundary conditions, 45	j^1, j^2	closed forms assoc. to j_1, j_2 , 83
B_l	$B_l(0)$, 17	$j^{1,\omega}, j^{2,\omega}$	closed forms assoc. to j_1^ω, j_2^ω , 84
$B_l(x)$	$\{y \in \mathbb{T}_N^2, y - x \leq l\}$, 17	j_i^ω	ω -weighted sym. current on $(0, e_i)$, 17
E_p	$E_{p,0}$, 25	$\hat{\rho}_l$	empirical angle measure over B_l , 18
$E_{p,x}$	$B_p(x)$ contains at least 2 empty sites, 25	\mathfrak{d}	diffusion coefficient relative to ∇_ρ , 15
$G_t(u)$	smooth function on $[0, T] \times \mathbb{T}^2$, 15	\mathcal{D}	Dirichlet form of the exclusion process, 20
$H(\mu \nu)$	entropy of μ w.r.t. ν , 21	\mathfrak{s}	conductivity coefficient, 15
$H_t(u, \theta)$	smooth function on $[0, T] \times \mathbb{T}^2 \times \mathbb{S}$, 15	γ^ω	instant. creation rate of η_0^ω due to \mathcal{L}^G , 17
L_N	complete generator of the AEP, 12	$\mu_{\hat{\alpha}}$	grand canonical measure GCM($\hat{\alpha}$), 19
$L_N^{\beta=0}$	generator of the AEP for $\beta = 0$, 23	\mathcal{L}	symmetric part of L_N , 12
Q^N	law of $(\pi_t^N)_{t \in [0, T]}$ for the AEP, 14, 127	$\mathcal{L}_{x,y}$	part of \mathcal{L} due to jumps between x and y , 37
$\mathbb{E}_{\alpha,l}^*$	expectation w.r.t. $\mu_{\alpha,l}^*$, 19	\mathcal{L}^D	displacement part of L_N , 12
$\mathbb{E}_{l,\hat{K}}$	expectation w.r.t. $\mu_{l,\hat{K}}$, 19	\mathcal{L}^G	Glauber part of L_N , 12
$\mathbb{E}_{\hat{\alpha}}$	expectation w.r.t. $\mu_{\hat{\alpha}}$, 19	\mathcal{L}^{WA}	weakly asymmetric part of L_N , 12
\mathbb{E}_α^*	expectation w.r.t. μ_α^* , 19	∇_a	gradient due to a particle jump $a_1 \rightarrow a_2$, 20
Γ	local creation rate of θ -particles, 15	λ	real parameter tuning the asymmetry, 12
\hat{K}	a pair (K, Θ_K) , 19	$\lambda_i(\theta)$	strength of the asymmetry in the direction i on a particle with angle θ , 12
\mathbb{K}_l	the set of possible $\hat{K} = \hat{\rho}_l$, 19	$\langle \varphi \rangle_x^l$	average over $B_l(x)$ of the $\tau_y \varphi$, 18
$\tilde{\mathbb{K}}_l$	the set of \hat{K} such that $K \leq B_l - 2$, 19	$\mathcal{M}(\mathbb{T}^2 \times \mathbb{S})$	space of measures on $\mathbb{T}^2 \times \mathbb{S}$, 14, 127
$\mathbb{P}_\nu^{\lambda,\beta}$	measure of AEP(λ, β) started from ν , 14		

$\mathcal{M}^{[0,T]}$ space of càdlàg traj. on $\mathcal{M}(\mathbb{T}^2 \times \mathbb{S})$, 14, 127	$\rho(u)$ mass of the measure $\widehat{\rho}(u, \cdot)$, 13
μ_α^* GCM with uniform angles, 19	ρ_l^ω average of η_x^ω over B_l , 18
$\mu_{\alpha,l}^*$ μ_α^* restricted to configurations on B_l , 19	ρ_l empirical particle density in B_l , 18
μ^N initial measure of the AEP, fitting $\widehat{\rho}_0$, 14	$\llbracket \cdot \rrbracket_{\widehat{\alpha}}$ limit of the space time covariance, 99
μ_t^N measure at t of the AEP started at μ^N , 21	d_s self-diffusion coefficient, 14
$\mu_{\widehat{\rho}}^N$ product measure on Σ_N associated to $\widehat{\rho}$, 13	Σ_N set of configurations on \mathbb{T}_N^2 , 12
$\mu_{l,\widehat{K}}$ $\mu_{\alpha,l}^*$ conditioned to $\widehat{\eta} \in \Sigma_l^{\widehat{K}}$, 19	$\Sigma_N^{[0,T]}$ space of càdlàg trajectories on Σ_N , 14
ω smooth function on \mathbb{S} , 15	Σ_∞ set of configurations on \mathbb{Z}^2 , 80
$\vec{\Omega}$ local direction of the asymmetry, 15	$\Sigma_l^{\widehat{K}}$ set of confs. with \widehat{K} particles in B_l , 19
$\widehat{\alpha}$ angle measure, element of $\mathcal{M}_1(\mathbb{S})$, 18	τ_x translation by x on the discrete torus, 16
$\widehat{\alpha}_{\widehat{K}}$ angle measure in $\mathcal{M}_1(\mathbb{S})$ associated to \widehat{K} , 39	θ_x angle of the particle in x , 11
∂_s, ∂_t time derivative, 16	\mathbb{T}_N^2 discrete torus of size N , 11
$\partial_{u_i,N}$ discrete approximation of ∂_{u_i} , 17	\mathcal{T}_0^ω space of semi angle-blind functions in \mathcal{C}_0 , 98
∂_{u_i} i -th continuous space derivative, 57	ζ initial macroscopic profile, 14
π_t^N empirical measure at time s , 14, 127	$c_{x,\beta}$ set of jump rates for \mathcal{L}^G , 13
$\mathcal{M}_1(\mathbb{S})$ set of angle measures, 18	f_t^N density of μ_t^N w.r.t. μ_α^* , 21
	$\ \cdot \ $ norm on $\mathcal{M}_1(\mathbb{S})$, 18

References

[1] H. AMANN – “Nonhomogeneous linear and quasilinear elliptic and parabolic boundary value problems”, *Function Spaces, Differential Operators and Nonlinear Analysis* (1993), p. 9–126.

[2] P. BILLINGSLEY – *Convergence of probability measures*, second ed., Wiley series in Probability and Statistics: Probability and Statistics, John Wiley & Sons Inc., New York, 1999.

[3] F. BOLLEY, J. A. CAÑIZO & J. A. CARRILLO – “Stochastic mean-field limit: Non-lipschitz forces and swarming”, *Mathematical Models and Methods in Applied Sciences* **21** (2010).

[4] F. BOLLEY, J. A. CAÑIZO & J. A. CARRILLO – “Mean-field limit for the stochastic vicsek model”, *Applied Mathematics Letters* **25** (2011), p. 339–343.

[5] H. BREZIS – *Functional analysis, sobolev spaces and partial differential equations*, 1st ed., Springer, November 2010.

[6] E. CARLEN, P. DEGOND & B. WENNBORG – “Kinetic limits for pair-interaction driven master equations and biological swarm models”, *Mathematical Models and Methods in Applied Sciences* **23** (2013), p. 1339–1376.

[7] J. A. CARRILLO, Y. HUANG & S. MARTIN – “Explicit flock solutions for quasi-morse potentials”, *European Journal of Applied Mathematics* **25** (2014), p. 553 – 578.

[8] J. A. CARRILLO & B. YAN – “An asymptotic preserving scheme for the diffusive limit of kinetic systems for chemotaxis”, *Multiscale Modeling and Simulation* **11** (2013), p. 336–361.

[9] M. E. CATES & J. TAILLEUR – “Statistical mechanics of interacting run-and-tumble bacteria”, *Physical Review Letters* **100** (2008).

[10] ———, “When are active brownian particles and run-and-tumble particles equivalent? consequences for motility-induced phase separation”, *EPL (Europhysics Letters)* **101** (2013).

[11] ———, “Motility-induced phase separation”, *Annual Review of Condensed Matter Physics* **6** (2015), p. 219–244.

[12] H. CHATÉ – “Onset of collective and cohesive motion”, *Physical review letter* (2004), no. 92.

[13] A. DE MASI, P. A. FERRARI & J. L. LEBOWITZ – “Reaction-diffusion equations for interacting particle systems”, *Journal of Statistical Physics* **44** (1986).

[14] A. DE MASI & P. A. FERRARI – “Separation versus diffusion in a two species system”, *Brazilian Journal of Probability and Statistics* **29** (2015), no. 2, p. 387–412.

[15] P. DEGOND, A. FROUVILLE & J.-G. LIU – “Macroscopic limits and phase transition in a system of self-propelled particles”, *Journal of Nonlinear Science* **23** (2013), no. 3, p. 427–456.

[16] ———, “Phase transitions, hysteresis, and hyperbolicity for self-organized alignment dynamics”, *Archive for Rational Mechanics and Analysis* (2014).

[17] P. DEGOND, J.-G. LIU, S. MOTSCH & V. PANFEROV – “Hydrodynamic models of self-organized dynamics: derivation and existence theory”, *Methods and Applications of Analysis* **20** (2013), p. 089–114.

[18] P. DEGOND & S. MOTSCH – “Continuum limit of self-driven particles with orientation interaction”, *Mathematical Models and Methods in Applied Sciences* **18** (2008).

[19] P. DEGOND & T. YANG – “Diffusion in a continuum model of self-propelled particles with alignment interaction”, *Mathematical Models and Methods in Applied Sciences* **20** (2010), p. 1459–1490.

- [20] J. FARFAN, A. B. SIMAS & F. J. VALENTIM – “Dynamical large deviations for a boundary driven stochastic lattice gas model with many conserved quantities”, *Journal of Statistical Physics* **139** (2010), p. 658–685.
- [21] Y. FILY & C. MARCHETTI – “Athermal phase separation of self-propelled particles with no alignment”, *Physical Review Letters* **108** (2012).
- [22] A. FROUVELLE – “A continuum model for alignment of self-propelled particles with anisotropy and density-dependent parameters”, *Mathematical Models and Methods in Applied Sciences* **22** (2012), no. 7.
- [23] A. GARCIA, E. RODEMICH & H. RUMSEY – “A real variable lemma and the continuity of paths of some gaussian processes”, *Indiana Math. J.* **20**, 565-578. (1978).
- [24] G. GIACOMIN, J. L. LEBOWITZ & R. MARRA – “Macroscopic evolution of particle systems with short and long range interactions”, *Nonlinearity* **13** (2000), no. 6.
- [25] G. GRÉGOIRE & H. CHATÉ – “Onset of collective and cohesive motion”, *Physical Review Letters* **92** (2004), no. 2, p. 025702.
- [26] W. JOHNSON & W. STORY – “notes on the "15" puzzle”, *American Journal of Mathematics* **2** (1879), no. 4, p. pp. 397–404 (English).
- [27] C. KIPNIS & C. LANDIM – *Scaling limits of interacting particle systems*, Grundlehren der Mathematischen Wissenschaften [Fundamental Principles of Mathematical Sciences], vol. 320, Springer-Verlag, Berlin, 1999.
- [28] C. KIPNIS & S. VARADHAN – “Central limit theorem for additive functionals of reversible markov processes and applications to simple exclusions”, *Communications in Mathematical Physics* **104** (1986), no. 1, p. 1–19 (English).
- [29] T. KOMOROWSKI, C. LANDIM & S. OLLA – *Fluctuations in markov processes. time symetry and martingale approximation*, Springer, Berlin, 2012.
- [30] C. LANDIM, S. OLLA & S. VARADHAN – “Symmetric simple exclusion process: Regularity of the self-diffusion coefficient”, *Communications in Mathematical Physics* **224** (2001), no. 1, p. 307–321.
- [31] A. MASI, P. FERRARI, S. GOLDSTEIN & W. WICK – “An invariance principle for reversible markov processes. applications to random motions in random environments”, *Journal of Statistical Physics* **55** (1989), no. 3-4, p. 787–855 (English).
- [32] A. OKUBO & S. LEVIN – *Diffusion and ecological problems : modern perspectives*, Interdisciplinary applied mathematics, Springer, New York, 2001.
- [33] S. OLLA & M. SASADA – “Macroscopic energy diffusion for a chain of anharmonic oscillators”, *Probability Theory and Related Fields* **157** (2013), p. 721–775.
- [34] J. K. PARRISH & L. EDELSTEIN-KESHET – “Complexity, pattern, and evolutionary trade-offs in animal aggregation”, *Science* **284** (1999), p. 99.
- [35] J. QUASTEL – “Diffusion of colour in the simple exclusion process”, *Communications on Pure and Applied Mathematics* **45** (1992), p. 623–679.
- [36] J. QUASTEL, F. REZAKHANLOU & S. R. S. VARADHAN – “Large deviations for the symmetric simple exclusion process in dimensions d ”, *Probability Theory and Related Fields* **113** (1999), no. 1, p. 1–84 (English).
- [37] M. SASADA – “Hydrodynamic limit for exclusion processes with velocities”, *Markov Processes and Related Rielfds* (2010).
- [38] ———, “Hydrodynamic limit for two-species exclusion processes”, *Stochastic Processes and their Application* **120** (2010), no. 4, p. 494–521.
- [39] A. SIMAS – “Hydrodynamic limit for a boundary driven stochastic lattice gas model with many conserved quantities”, *Journal of Statistical Physics* **139** (2010), no. 2, p. 219–251 (English).
- [40] A. P. SOLON, M. E. CATES & J. TAILLEUR – “Active brownian particles and run-and-tumble particles: A comparative study”, *European Physical Journal Special Topics* **224** (2015), p. 1231.
- [41] A. P. SOLON, J.-B. CAUSSIN, D. BAROLO, H. CHATÉ & J. TAILLEUR – “Pattern formation in flocking models: A hydrodynamic description”, *Physical Review E, In press* (2015).
- [42] A. P. SOLON, H. CHATÉ & J. TAILLEUR – “From phase to microphase separation in flocking models : the essential role of nonequilibrium fluctuations”, *Physics Review E* **92** (2015).
- [43] A. P. SOLON & J. TAILLEUR – “Flocking with discrete symmetry: the 2d active ising model”, *Physics Review E* **92** (2015).
- [44] H. SPOHN – “Tracer diffusion in lattice gases”, *Journal of Statistical Physics* **59** (1990), no. 5-6, p. 1227–1239 (English).
- [45] ———, *Large scale dynamics of interacting particles*, vol. 825, Springer Berlin, 1991.
- [46] A. G. THOMPSON, J. TAILLEUR, M. E. CATES & R. A. BLYTHE – “Lattice models of nonequilibrium bacterial dynamics”, *Journal of Statistical Mechanics: Theory and Experiment* **2** (2011), p. 29.

- [47] J. TONER & Y. TU – “Long-range order in a two-dimensional dynamical XY model : how birds fly together”, *Physical Review Letters* **75** (1995).
- [48] S. R. S. VARADHAN – “non-linear diffusion limit for a system with nearest-neighbor interactions ii”, *Asymptotic problems in probability theory : stochastic models and diffusion on fractals*, Pitman Research Notes in Mathematics, no. 283, Springer-Verlag, 1994, p. 75–128.
- [49] ———, “Regularity of self-diffusion coefficient”, *The Dynkin Festschrift: Markov processes and their applications*, Progress in Probability, no. 34, Springer-Verlag, 1994, p. 387–397.
- [50] T. VICSEK, A. CZIRÓK, E. BEN-JACOB, I. COHEN & O. SHOCHET – “Novel type of phase transition in a system of self-driven particles”, *Physical Review Letters* **75** (1995), p. 1226–1229.
- [51] T. VICSEK & A. ZAFEIRIS – “Collective motion”, *Physics Reports* **517** (2012), no. 3, p. 71–140.

C.ERIGNOUX, CMAP, École Polytechnique, Route de Saclay, 91128 Palaiseau
E-mail : clement[dot]erignoux[at]gmail[dot]com