



**HAL**  
open science

# Polysomnography Symbolic Fusion for Automatic Sleep Staging

Chen Chen, Xue Liu, Adrien Ugon, Xun Zhang, Amara Amara, Patrick Garda, Jean-Gabriel Ganascia, Carole Philippe, Andrea Pinna

► **To cite this version:**

Chen Chen, Xue Liu, Adrien Ugon, Xun Zhang, Amara Amara, et al.. Polysomnography Symbolic Fusion for Automatic Sleep Staging. 5èmes Journées d'Etude sur la TélésANté (JETSAN), May 2016, Compiègne, France. hal-01316829

**HAL Id: hal-01316829**

**<https://hal.science/hal-01316829>**

Submitted on 17 May 2016

**HAL** is a multi-disciplinary open access archive for the deposit and dissemination of scientific research documents, whether they are published or not. The documents may come from teaching and research institutions in France or abroad, or from public or private research centers.

L'archive ouverte pluridisciplinaire **HAL**, est destinée au dépôt et à la diffusion de documents scientifiques de niveau recherche, publiés ou non, émanant des établissements d'enseignement et de recherche français ou étrangers, des laboratoires publics ou privés.

# Polysomnography Symbolic Fusion for Automatic Sleep Staging

Chen CHEN<sup>1,2</sup>, Xue LIU<sup>1</sup>, Adrien UGON<sup>4</sup>, Xun ZHANG<sup>2</sup>, Amara AMARA<sup>2</sup>, Patrick GARDA<sup>1</sup>, Jean-Gabriel GANASCIA<sup>1</sup>, Dr. Carole PHILIPPE<sup>3</sup>, Andrea PINNA<sup>1</sup>

<sup>1</sup>Sorbonne Université Pierre et Marie CURIE, Paris 06, UMR 7606, LIP6, Paris, France

<sup>2</sup>Institut Supérieur d'Electronique de Paris, ISEP, Paris, France

<sup>3</sup>AP-HP Hôpital Universitaire Pitié Salpêtrière (Paris), Unité Pathologies du sommeil, Paris, France

<sup>4</sup>Laboratoire d'Informatique Médicale et d'Ingénierie des Connaissances en e-Santé UMRS 1142, Paris, France

chen.chen@lip6.fr, andrea.pinna@lip6.fr

**Abstract**— Sleep staging is a time-consuming work and inter-rater reliability variation exists in sleep-stages scorers. There is a need for automatic sleep staging which can facilitate this process and enhance the reliability. This paper presents a new method based on symbolic fusion to realize automatic sleep staging. By combining multiple signals of polysomnography (PSG) and considering temporal effects, symbolic fusion achieves improved accuracy and more specific inferences for sleep staging. This method was tested on 16 patients PSG and the overall agreement of 65.58% was reached. Proposed symbolic fusion is developed for portable embedded system devices to assist sleep evaluation at home at low complexity and cost.

**Keywords**- Automatic Sleep Staging, Symbolic Fusion, polysomnography (PSG).

## I. Introduction

Sleep is an indispensable part of our life and contributes to self-repair and self-recover of human body. However, sleep disorders affect more than 10% of the people [1] and this is a significant cause of morbidity and mortality [2]. For clinical diagnosis and treatment of sleep disorders, identification of sleep stages is the fundamental step in sleep studies.

According to the Rechtschaffen and Kales (R&K) manual [3] and the American Academy of Sleep Medicine (AASM) manual [4], sleep stages can be divided into awake, Rapid-Eye-Movement (REM) and Non-Rapid-Eye-Movement (NREM) stages. Currently sleep staging is based on an overnight polysomnography (PSG) study which records multiple bio-signals, such as electroencephalography (EEG), electrocardiography (ECG), electrooculography (EOG), electromyography (EMG), respiratory effort and blood oxygen saturation, and manual sleep staging according to the R&K or AASM manuals. However, manual sleep staging has several limitations, such as low inter-rater reliability and labor intensive task involving interpretation of enormous clinical data. In [5], authors reported inter-rater reliability of 80.6% and 82.0% by using R&K and AASM respectively. To overcome these limitations, an automatic sleep staging method is studied and proposed in this paper.

Machine learning is widely used for sleep staging. Typical approaches of machine learning,

such as Decision Tree [6] [7], Artificial Neural Network (ANN) [8] [9] [10], Support Vector Machine (SVM) [11] [12] [13] and Clustering [14] [15] [16], were used in classifying sleep stages. Each approach has its own drawbacks. For decision tree, the accuracy is highly dependent on pre-defined thresholds and rules, which may not be suitable for individual variability of PSG signals. ANN requires a large set of training data and the performance depends mostly on the quality of the used feature set. SVM has high algorithmic complexity and needs extensive memory. Clustering relies on initial clusters selection, while current selection method for initial clusters may lead to a classification based on some insignificant patterns. Besides the drawbacks of each approach, machine learning does not consider two important factors. Firstly, using machine learning to classify sleep stages is often thought as an independent classification problem, whereas sleep staging is a time dependent classification problem, which can be influenced by the previous sleep stage and can influence the next sleep stage. Secondly, machine learning uses a smaller number of signals to reduce the dimension of the feature set. However, to increase the accuracy and reliability of the sleep staging, there is a need to include more signals in the analysis [17].

In this paper, we propose a symbolic fusion method to realize an automatic sleep staging. Symbolic fusion is an interdisciplinary knowledge-based technique [18]. The symbolic fusion that we propose in this paper is based on predefined rules, which were defined under cooperation between engineers and clinicians, according to the AASM manual, instead of only depending on numerical classification methods like machine learning. It can combine most of the PSG signals used in sleep staging and also consider the temporal implications in order to generate a composite decision.

The aim of the present study is to develop an automatic sleep staging method based on recorded PSG signals, which can be implemented in embedded systems suitable for assisting doctors to analyze sleep stages. This paper is organized as follows. Subjects and methodology are discussed in Sections 2. Results are presented in Section 3, followed by conclusions in Section 4 with future directions.

## II. Subjects and Methodology

### 1. Subjects and Data Acquisition

The PSG signals recordings were done by clinical experts in Hoptial-Tenon (AP-HP) for 16 patients. Recorded PSG data were analyzed by experts and sleep stages were scored. The PSG data was divided into 30-s epoch and classified into Stage W, Stage REM and Stage NREM (Stage N1, Stage N2 and Stage N3). The 16 patients PSG, interpreted by experts, were used as a database in this work. Table 1 shows the details of this database, which has 19468 epochs in total.

Recorded PSG Data					
Number of Patient	Mean Duration of PSG Recording		Total Epochs		
16	14.5 (hours)		278400		
Expert Analysis for Recorded PSG					
Database	Stage W	Stage N1	Stage N2	Stage N3	Stage REM
Epoch Number	4747	1991	6526	3616	2588

Table 1. Database Description

### 2. Methodology

Symbolic fusion was proven efficient to combine information from different sources, such as heterogeneous signals. Overall accuracy of the method is increased because symbolic fusion provides enhanced and complementary perceptions by combining signals from different sources, which have their own limitations and uncertain perceptions.

We adopted a three-level architecture for symbolic fusion: data fusion, feature fusion and decision fusion, as proposed in [24]. Figure 1 shows the flow of symbolic method and parameters used in each level. Details of the method will be discussed in this section.

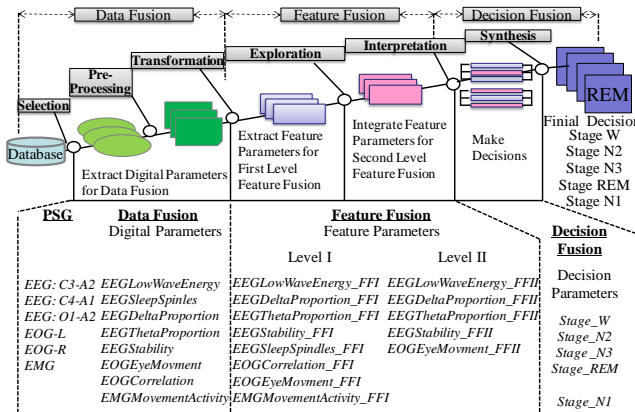


Figure 1. Symbolic Fusion Flow and Parameters Distribution

### 2.1 Data Fusion

Data fusion is used to extract digital parameters from PSG recording by using appropriate signal processing methods corresponding to the AASM manual [4]. At data fusion level, we maximize useful information and minimize the noise in PSG recordings. Eight digital parameters were extracted from recorded PSG by different signal processing methods. The first 5 parameters were extracted from three different EEG channels: C3-A2, C4-A1, O1-A2; the middle 2 parameters were extracted from 2 EOG channels: EOG-L, EOG-R; the last parameter was extracted from EMG. Below is the brief description of the parameters.

- EEGLowWaveEnergy:** EEGLowWaveEnergy indicates the energy of the slow wave of frequency between 0 Hz to 2 Hz in EEG signal.
- EEGSleepSpindles:** The Sleep Spindle is a train of distinct waves with frequency 11-16 Hz and duration more than 0.5 seconds. It is a significant indicator of stage N2. EEGSleepSpindles is calculated by using Short Time Fourier Transform (STFT).
- EEGDeltaProportion:** EEGDeltaProportion signifies the power ratio between Delta frequency band (frequency smaller than 2 Hz) and the total power of each 30-s epoch.
- EEGThetaProportion:** EEGThetaProportion signifies the power ratio between Theta frequency band (frequency between 4 Hz and 7 Hz) and the total power of each 30-s epoch.
- EEGStability:** EEGStability signifies the power ratio between the fast wave (frequency more than 18 Hz) and the total power. The fast wave is one characteristics of Stage W.
- EOGEyeMovement:** The EOGEyeMovement represents the number of times eye moves during sleep. The algorithm we used to calculate this parameter is based on [19]. This parameter is a significant indicator to distinguish between REM and NREM stage.
- EOGCorrelation:** EOGCorrelation is the correlation between the left and right eye movements. It indicates whether the movement of the two eyes are interdependent or not.
- EMGMovementActivity:** This represents the mean absolute value of the EMG signal. This parameter is used to indicate the activity level of EMG, which can be used as an indicator of the muscle tone movement in sleep staging.

### 2.2 Feature Fusion

Features fusion is used to transfer digital parameter into feature parameters. By using appropriate fusion methods, we realized reduction, matching and normalization of feature sets.

In feature fusion, the first 6 parameters (*EEGLowWaveEnergy* to *EOGEyeMovment*) need 2-level feature fusion except *EEGSleepSpindles*. *EEGSleepSpindles*, *EOGCorrelation* and *EMGMovementActivity* only need 1-level feature fusion. For 2-level feature fusion, the first step is to fuse digital parameters to feature parameters. Second step is to integrate either 3 different EEG signals or 2 different EOG signals. However, *EEGSleepSpindles* is the total number of sleep spindles of 3 EEG signals; *EOGCorrelation* is correlation of EOG-L and EOG-R signal; Since EMG signal is only one channel, thus *EMGMovementActivity* need only 1-level feature fusion.

### 2.3 Decision Fusion

Decision fusion is used to make decisions according to the AASM manual to generate a composite decision for sleep staging. Inference methods used in decision fusion have been discussed with doctors.

Using AASM as a guideline, we integrated feature parameters to generate a composite decision. Figure 2 is the design flow of classifying REM stage by using symbolic fusion as an example.

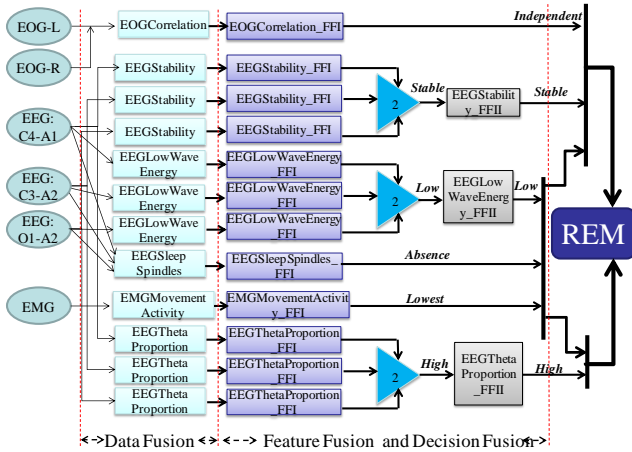


Figure 2. Design Flow for Stage REM Classification by Using Symbolic Fusion

## III. Results

Figure 3 shows comparison between the symbolic fusion method and the visual analysis by sleep-stages scorer using one patient as an example. X-axis represents the epoch number of this patient and Y-axis shows the different sleep stages. From the figure we can see a high agreement between our method and a visual analysis. Meanwhile, symbolic fusion failed to classify Stage N1. This is because Stage N1 is considered as a transition between wake and sleep. It occurs upon falling asleep and during brief arousal periods within sleep and usually accounts for 2-5% of total sleep time [20]. Since Stage N1 accounts only for a small part of the total sleep time, we mainly focus on classifying other sleep stages. Identification of Stage N1 will be considered in our future work.

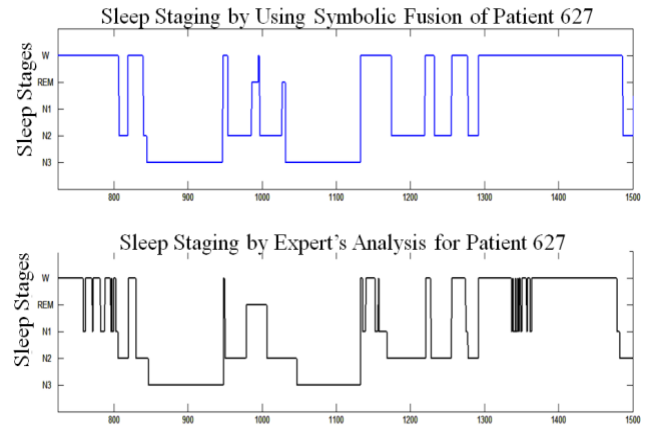


Figure 3. Symbolic Fusion Result for Patient 627 in Sleep Staging

In this study, we adopted the Agreement Rate (AR) to assess the performance of symbolic fusion. Table 2 shows the AR in each sleep stage and the comparison with other method. The overall AR for our database reaches 65.58% which is better in comparison to several machine learning methods, as reported in [22] [23]. In [22], authors reported 61% AR by using Linear Discriminant Analysis. 55.88% AR was reported in [23], by using K-Nearest Neighbor method. In comparison to a recent report in literature [21], which used Fuzzy Inference, our method showed 4.8% and 14.27% better AR in Stage W and Stage N3, respectively. However, it has relatively 11.6% low AR in classifying Stage N2 because K-Complex is not considered during classification. K-Complex is a well-delineated negative sharp wave immediately followed by a positive component standing out from the background EEG, with total duration  $\geq 0.5$  sec [4] which is also a significant indicator to classify Stage N2. In our future work, K-Complex will be added into symbolic fusion as a parameter to classify Stage N2.

Sleep Stages	Agreement Rate by Using Symbolic Fusion	Agreement Rate by Using Fuzzy Inference [21]
Stage W	89.80%	85%
Stage N1	0.05%	18%
Stage N2	62.40%	74%
Stage N3	77.27%	63%
Stage REM	63.45%	67%

Table 2. Agreement Rate by using Symbolic Fusion.

## IV. Conclusion and Perspective

In this study, we proposed a new symbolic fusion method to realize sleep staging. Considering

limitations and uncertain decision in sleep staging by only using single channel from PSG, symbolic fusion provides enhanced and complementary decision combining multiple channels which increases overall accuracy. Meanwhile, symbolic fusion proved to be an effective method in comparison to machine learning for sleep staging because it takes temporal implications into account. Using symbolic fusion, we reached an overall agreement rate of 65.58% and approximately 90% for classifying Stage W. Our current work focus mainly on classifying Stage W, Stage N2, Stage N3 and Stage REM. Classification of Stage N1 will be done in our future work and more parameters will be added into our method to improve overall agreement rate.

In February 2015 a new project started. It is under the collaboration among the Laboratoire d'Informatique de Paris 6 (LIP6), the Laboratoire d'Informatique Médicale et Ingénierie des connaissances pour la e-Santé (LIMICS) and AP-HP Hôpital Universitaire Pitié-Salpêtrière. This project is funded by the Institut Universitaire d'Ingénierie pour la Santé (IUIS). The aim of this new project is firstly the improvement of the symbolic techniques to take into account the uniqueness of the individual; secondly the algorithms integration into an embedded system and thirdly a new database set acquisition.

#### Acknowledgment

This work is done under collaboration of Laboratoire d'Informatique de Paris 6, Institut Supd'Info d'Electronique de Paris and the ETIS-ENSEA université de Cergy-Pontoise. We would also like to thank Dr. C. Philippe for the collaboration and for providing the database and help in the field of medicine. This work is also supported by China Scholarship Council (CSC).

#### References

[1] Saravanan Ram, Hazem Seirawan, Satish K. S. Kumar, Glenn T. Clark, Prevalence and impact of sleep disorders and sleep habits in the United States, 2010  
 [2] Jamil L. Hossain, Colin M. Shapiro, The Prevalence, Cost Implications and Management of Sleep Disorders: An Overview, 2002  
 [3] A.Rechtschaffen, A.Kales (Eds.), "A Manual of Standardized Terminology, Techniques, and Scoring System for Sleep Stages of Human Sleep," Brain Information Service/Brain Research Institute, UCLA, LosAngeles, 1968  
 [4] Conrad Iber, Sonia Ancoli-Israel, Andrew L.Chesson JR, Stuart F.Quan, The AASM Manual for the Scoring of Sleep an Associated Events-Rules, Terminology and Technical Specifications, 2007  
 [5] Heidi Dabker-Hopf, Peter Anderer, Josef Zeitlhofer, Marion Boeck, Hans Dorn, Georg Gruber, Esther Heiller, Erna Loretz, Doris Moser, Silvia Parapatics, Bernd Saletu, Andrea Schmidt, Georg Dorffner, Interrater reliability for sleep scoring according to the Rechtschaffen & Kales and the new AASM standard, 2009  
 [6] Masaaki Hanaoka, Masaki Kobayashi, Haruaki Yamazaki, Automated Sleep Stage Scoring By Decision Tree Learning, 2001

[7] Sheng-Fu Liang, Chih-En Kuo, Yu-Han Hu, and Yu-Shian Cheng, A rule-based automatic sleep staging method, 2011  
 [8] Farideh Ebrahimi, Mohammad Mikaeili, Edson Estrada, Homer Nazeran, Automatic Sleep Stage Classification Based on EEG Signals by Using Neural Networks and Wavelet Packet Coefficients, 2008  
 [9] Nizar Kerkeni, Frédéric Alexandre, Mohamed Hédi Bedoui, Laurent Bougrain, Mohamed Dogui, Automatic classification of Sleep Stages on a EEG signal by Artificial Neural Networks, 2005  
 [10] M. Emin Tagluk, Necmettin Sezgin, Mehmet Akin, Estimation of Sleep Stages by an Artificial Neural Network Employing EEG, EMG and EOG, 2009  
 [11] Enzo Tagliazucchi, Frederic von Wegner, Astrid Morzelewski, Sergey Borisov, Kolja Jahnke, Helmut Laufs Automatic, sleep staging using fMRI functional connectivity data, 2012  
 [12] Khalid A. I. Aboalayon, Miad Faezipour, Multi-Class SVM Based on Sleep Stage Identification Using EEG Signal, 2014  
 [13] Jeen-Shing Wang, Guan-Rong Shih, and Wei-Chun Chiang, Sleep Stage Classification of Sleep Apnea Patients Using Decision-Tree-Based Support Vector Machines Based on ECG Parameters, 2012  
 [14] P.VanHese, W.Philip, J.De Koninck, R.Van de Walle, I.Lemahieu, Automatic Detection of Sleep Stages Using the EEG, 2001  
 [15] Ennio A. Vivaldi, Alejandro Bassi, Frequency Domain Analysis of Sleep EEG for Visualization and Automated State Detection, 2006  
 [16] Jose Luis Rodríguez-Sotelo, Alejandro Osorio-Forero, Alejandro Jiménez-Rodríguez, David Cuesta-Frau, Eva Cirugeda-Roldán and Diego Peluffo, Automatic Sleep Stages Classification Using EEG Entropy Features and Unsupervised Pattern Analysis Techniques, 2014  
 [17] Clete A. Kushida, Michael R. Littner, Timothy Morgenthaler, Cathy A. Alessi, Dennis Bailey, Jack Coleman, Jr., Leah Friedman, Max Hirshkowitz, Sheldon Kapen, Milton Kramer, Teofilo Lee-Chiong, Daniel L. Loubé, Judith Owens, Jeffrey P. Pancer, Merrill Wise Practice Parameters for the Indications for Polysomnography and Related Procedures: An Update for 2005, 2005  
 [18] Jean-Paul Haton, Francois Charpillat and Marie-Christine Haton, Numeric/Symbolic approaches to data and information fusion, 1998  
 [19] Manuel Merino, Octavio Rivera, Isabel Gómez, Alberto Molina, Enrique Dorrnoro, A Method of EOG Signal Processing to Detect the Direction of Eye Movements, 2010  
 [20] M Suzanne Stevens, Normal Sleep, Sleep Physiology and Sleep Deprivation, 2013  
 [21] Diego Álvarez-Estévez, José M. Fernández-Pastoriza, Elena Hernández-Pereira, Vicente Moret-Bonillo, A method for the automatic analysis of the sleep macrostructure in continuum, 2013  
 [22] V. C. Figueroa Helland, A. Gapelyuk; A. Suhrbier, M. Riedl, T. Penzel, J. Kurths; N. Wessel, Investigation of an Automatic Sleep Stage Classification by Means of Multiscorer Hypnogram, 2010  
 [23] Salih Günes, Kemal Polat, Sebnem Yosunkaya, Efficient sleep stage recognition system based on EEG signal using k-means clustering based feature weighting, 2010  
 [24] Belur V. Dasarathy, Sensor Fusion Potential Exploitation—Innovative Architectures and Illustrative Applications, 1997