



HAL
open science

Equivalent circuit of a reconfigurable triple-slot reflectarray cell

Kevin Nadaud, Raphaël Gillard, Erwan Fourn, Hartmut W. Gundel

► **To cite this version:**

Kevin Nadaud, Raphaël Gillard, Erwan Fourn, Hartmut W. Gundel. Equivalent circuit of a reconfigurable triple-slot reflectarray cell. *IET Microwaves Antennas and Propagation*, 2016, 10 (10), pp.1080-1086. 10.1049/iet-map.2015.0378 . hal-01307936

HAL Id: hal-01307936

<https://hal.science/hal-01307936>

Submitted on 27 Apr 2016

HAL is a multi-disciplinary open access archive for the deposit and dissemination of scientific research documents, whether they are published or not. The documents may come from teaching and research institutions in France or abroad, or from public or private research centers.

L'archive ouverte pluridisciplinaire **HAL**, est destinée au dépôt et à la diffusion de documents scientifiques de niveau recherche, publiés ou non, émanant des établissements d'enseignement et de recherche français ou étrangers, des laboratoires publics ou privés.

Equivalent circuit of a reconfigurable triple-slot reflectarray cell

Kevin Nadaud¹, Raphaël Gillard^{2,*}, Erwan Fourn², Hartmut W. Gundel¹

¹IETR UMR CNRS 6164, University of Nantes, 2 rue de la Houssinière, Nantes, France

²IETR UMR CNRS 6164, INSA of Rennes, 20 avenue des Buttes de Coësmes CS 70839, Rennes, France

*raphael.gillard@insa-rennes.fr

Abstract: Abstract : This paper presents an equivalent model for a multiple-resonance reflectarray cell. It allows predicting the different phase-states of the cell from only a very few full-wave simulations. Demonstrations are first given for a passive cell where different geometrical parameters are varied. Then, the approach is generalized to a reconfigurable cell. Finally, a canonical reflectarray with a steered beam has been synthesized in order to illustrate the capabilities of the proposed equivalent circuit.

1. Introduction

Reflectarrays are widely studied because they combine the advantages of reflector antennas and array antennas. In order to increase bandwidth and reduce losses, multiple-resonator cells have been proposed, using various topologies such as stacked patches [1], coupled dipoles [2] or coupled slots [3]. All these passive cells involve many geometrical parameters, which makes their optimization process complex and time-consuming as it relies on full-wave simulations.

In the case of reconfigurable cells, the situation is even trickier as successive steps have to be completed. First, the passive distributed structure of the cell has to be designed (as in the case of passive cells). Then, lumped reconfigurable elements have to be implemented to control the reflected phase within a prescribed range. Finally, a redesign of the initial passive distributed structure is usually necessary to take into account the biasing lines and other topological arrangements resulting from the integration of these tuning elements. Although the compression approach

can advantageously be used [4] for tuning lumped elements, the design and redesign of the passive distributed structure still require numerous full-wave simulations.

On the other hand, efficient synthesis processes have been developed in the field of frequency selective surfaces (FSS) [5,6] which replace the full-wave simulations by circuit-based approaches. First, an equivalent circuit for the passive distributed structure is derived using a limited number of full-wave simulations. This provides a direct correspondence between the geometrical parameters and the related circuit elements. Then, any further modification of these geometrical parameters can be analyzed at the circuit level without any additional full-wave simulation. This definitively makes the optimization process simpler and much faster. In [7, 8], an equivalent circuit has been proposed for a slot-loaded patch reflectarray cell. It permits to optimize the number and the placement of the lumped components used for changing the reflected phase. Nevertheless, this equivalent circuit does not permit to obtain the lengths of the slots or of the patch. In [9] a model is given for a patch loaded with varicap diodes but it has only one resonator, leading to a high frequency dispersion.

In this paper, we present an equivalent circuit for the reflectarray triple-slot cell described in [3]. Although this cell has been proved to be a good candidate for both, large bandwidth and reconfigurability, no simple process has been reported yet to optimize its dimensions. The proposed circuit allows predicting the phase response when the slots length (the most influent parameters) and the distance to the ground plane change. Only a limited number of simulations is needed, which is essential for fast optimization. In a first time, the interest of this approach is validated for the design of a passive cell. Then, we show that it can be extended to the analysis of a reconfigurable cell by combining the equivalent circuit of the passive distributed structure with lumped elements that represent the controllable tuning components. Experimental validations at the cell level have already been published [3, 10, 11] for quite similar structures and will not be repeated here for the sake of brevity. We rather focus on the comparison of the results provided by our new equivalent circuit with those resulting from full-wave simulations, with the clear goal to replace those ones.

Finally, the utility of the equivalent circuit is demonstrated by simulating a reflectarray with a steered beam.

Note that the proposed equivalent circuit has similarities with that used in [12, 13] for slotted waveguides. However, our formulation takes mutual coupling between slots into account. Additional elements are also included to provide a realistic modelling when active components are

integrated in the slot.

2. Studied topology and associated equivalent circuit

The general studied topology (Fig. 1) consists of three slots in a metallization printed on a dielectric substrate (permittivity 2.17, loss tangent 9×10^{-4} and thickness 1.6 mm). This printed circuit is suspended in a square waveguide at a distance h_{air} from the short-circuited termination (Fig. 2). This waveguide configuration is usually used for single cell measurement (as in [11] for instance). Moreover, reflectarray cells (especially active ones) are sometimes embedded in metallic cavities to limit mutual coupling. In such situations, the waveguide between the printed circuit and the short-circuit plane is really present [14]. The section of the square waveguide used here is $35 \times 35 \text{ mm}^2$ providing a [4.5, 6.5] GHz frequency band.

The reflected phase can be controlled by changing only the length of the central slot or loading it by a tunable capacitor [3]. The other parameters, especially the length of the external slots L_{s2} , allow controlling the frequency dispersion and the accessible phase range. Note that both external slots have the same length in order to maintain the cell symmetry. L_{s1} and L_{s2} are definitively the most influent parameters regarding the phase response of the cell and are the only ones to be varied in this study. This choice is also consistent with the fact that, in a realistic reflectarray synthesis, the number of tunable parameters has to be small to keep the optimization process affordable. The variation ranges for L_{s1} and L_{s2} have been chosen in order to approach a full 360° phase range at center frequency, which is the usual goal when designing a reflectarray cell. In the considered examples, W_{s1} and W_{s2} are set to a quite large value (5 mm) in order to achieve smooth phase states [15]. The distance between adjacent slots e_f is set to 2 mm to keep enough space for a future biasing circuit. Nevertheless, the discussed methodology is also valid in the case of any other values.

The proposed equivalent circuit consists of a shunt admittance (for the printed circuit) backed by a short-circuited transmission line of length h_{air} . The admittance is composed of three shunt resonators, one for each slot (Fig. 3), which are coupled with inductive (M_c) and capacitive (C_c) elements. Both types of coupling are necessary to correctly take into account all interactions between the different slots [16]. The propagation characteristics of the transmission line backing the printed circuit are calculated using simple rectangular waveguide theory [17]. The lumped

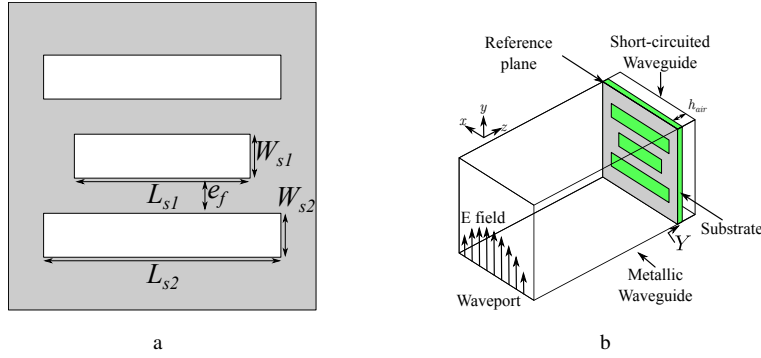


Figure 1. Schematic view of the studied cell.

a top view

b 3D view

elements forming the shunt admittance itself can be derived from a full-wave simulation using Ansys HFSS commercial software. To do so, the printed circuit is simulated as a 2-port in the waveguide (Fig. 2). One reference plane is placed on each face of the dielectric substrate. The simulated 2×2 scattering matrix is then imported into a circuit simulator (Keysight ADS) and the elements of the shunt admittance are tuned until its scattering parameters match those from the full-wave simulation.

Then, the reflected coefficient from the whole cell (including the short-circuited waveguide) can be obtained directly with the circuit simulator simply by loading the obtained admittance with the appropriate length of short-circuited transmission line. As h_{air} can be varied in the circuit simulation itself, the modification of this parameter does not require any additional full-wave simulation, which is a first advantage of the equivalent circuit. The second advantage, as described in the next section, is the possibility to express the elements forming the admittance from the variable geometrical parameters (here L_{s1} and L_{s2}). Once these expressions have been derived, which requires only 2 or 3 full-wave simulations, the response of the cell for any value of L_{s1} and L_{s2} can be obtained directly from the circuit simulator, without any new full-wave analysis.

3. Derivation of the equivalent circuit

3.1. General Process

In this section, the derivation of the elements of the equivalent circuit from full-wave simulations is described in details. As a first approximation, we consider that C_1 and L_1 only depend on L_{s1}

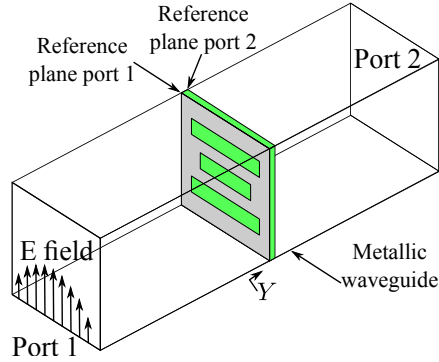


Figure 2. Schematic view of the waveguide containing the cell simulated with HFSS.

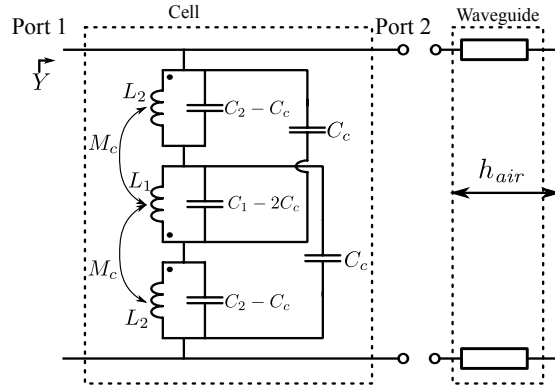


Figure 3. Proposed equivalent circuit of the triple-slot cell.

while C_2 and L_2 only depend on L_{s2} . C_c and M_c are supposed to be independent from both L_{s1} and L_{s2} . As will be seen from the obtained results, this assumption proves to be sufficient. Moreover, L_i and C_i are linked by the following relations:

$$f_i = \frac{1}{2\pi\sqrt{C_i L_i}} \quad \text{and} \quad Z_i = \frac{\pi}{2} \sqrt{\frac{L_i}{C_i}}, \quad (1)$$

where f_i and Z_i stand for the resonant frequency and the characteristic impedance of slot i . Since the resonant frequency of a transmission line resonator varies with the inverse of its length, we can express f_i as:

$$f_i = \frac{1}{\alpha_i L_{si} + \beta_i}, \quad (2)$$

where α_i and β_i are unknown parameters to be determined. Note that α_i is supposed to be close to $2\sqrt{\epsilon_{\text{reff}}}/c$ for a half wavelength slot (with c the speed of light and ϵ_{reff} the effective relative permittivity) and β_i accounts for the imperfect short circuits at both ends of the slot. More precisely,

it represents possible reactive effects which may be responsible for resonance deviations. Finally, using (1) and (2), C_i and L_i can be related directly to the length of the slot as:

$$C_i = \frac{\alpha_i L_{si} + \beta_i}{4Z_i} \quad \text{and} \quad L_i = \frac{Z_i(\alpha_i L_{si} + \beta_i)}{\pi^2}. \quad (3)$$

The derivation of the electric circuit then consists in determining C_c , M_c , α_1 , β_1 , Z_1 , α_2 , β_2 and Z_2 from a reduced number of full-wave simulations. Once this has been done, C_i and L_i can be calculated for any new value of L_{si} using (3). This allows using the electric circuit (instead of a new EM simulation) for characterizing the phase response of the cell whatever the value of the slots length.

3.2. Validation with variable internal slot and fixed external slots

For the sake of simplicity, we first present the derivation process where only the length of the central slot L_{s1} varies (L_2 and C_2 are supposed to be constant in this case). Two full-wave simulations are run. They correspond to two printed circuits in the waveguide (Fig. 2), only differing in the length of the central slot (L'_{s1} and L''_{s1} for the first and second simulation respectively). Then, two equivalent shunt admittances are tuned simultaneously so that the corresponding S parameters match those of the two simulated structures in the [4.5, 6.5] GHz frequency band. Only C_1 and L_1 differ from one admittance to another: we name C'_1 and L'_1 (respectively C''_1 and L''_1) the values associated to L'_{s1} (respectively L''_{s1}). The tuning process also provides C_c , M_c , C_2 and L_2 but it assumes they are identical for both admittances. Finally, α_1 and β_1 can be derived from (3) using:

$$\alpha_1 = 2\pi \frac{\sqrt{C'_1 L'_1} - \sqrt{C''_1 L''_1}}{L'_{s1} - L''_{s1}}, \quad (4)$$

$$\beta_1 = 2\pi \sqrt{C'_1 L'_1} - L'_{s1} \alpha_1, \quad (5)$$

Once the elements forming the shunt admittance have been identified, the full equivalent circuit of the reflectarray cell can be constructed by adding the short-circuited transmission line. The reflected phase obtained from full-wave simulations and the results from the equivalent circuit simulations are compared in Fig. 4a. The extraction of the parameters has been carried out using $L'_{s1} = 18$ mm and $L''_{s1} = 22$ mm (with $L_{s2} = 27$ mm) yielding the following values: $C_2 = 229$ fF,

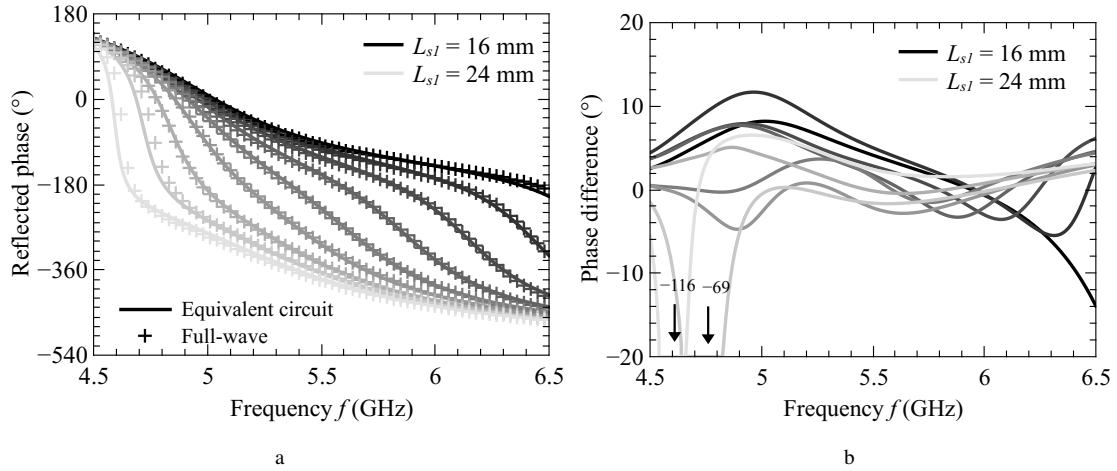


Figure 4. Reflected phase and phase difference as a function of frequency obtained from full wave HFSS simulation (+) and predicted with the proposed equivalent circuit (—). $L_{s2} = 27$ mm, L_{s1} varies from 16 to 24 mm in steps of 1 mm.

a Reflected phase.

b Phase difference.

$L_2 = 5.69$ nH, $C_c = 44.8$ fF, $M_c = 0.68$ nH, $\alpha_1 = 7.59 \times 10^{-9}$ Hz $^{-1}$ m $^{-1}$, $\beta_1 = 3.09 \times 10^{-11}$ Hz $^{-1}$ and $Z_1 = 99.7$ Ω .

As can be seen in Fig. 4a, the agreement is very good even though L_{s1} varies from 16 to 24 mm, which is a larger range than the initial $[L'_{s1}, L''_{s1}]$ interval. Fig. 4b shows the difference between the full wave simulation and the equivalent circuit. For L_{s1} less than 22 mm, the maximum phase difference is 12°. For the larger lengths ($L_{s1} = 23$ mm or 24 mm), the phase difference is much higher at low frequencies. This is due to rapid variation of the phase in that region. Indeed, this corresponds to a high frequency dispersion region (involving resonance phenomena) where the cell is not supposed to be used. For the central frequency (5.5 GHz) the maximum error is 5°. Finally, the average phase difference for all lengths L_{s1} over the total frequency band is 4.11°, which provides a sufficient accuracy for reflectarray design.

3.3. Validation with variable internal and external slots

Now we consider L_{s2} can also vary, which means that α_2 and β_2 have to be determined. The derivation process described in section 3.2 can be extended straight forwardly. The new process relies on three full-wave simulations involving the following length couples (L'_{s1}, L'_{s2}) , (L''_{s1}, L'_{s2}) and (L'_{s1}, L''_{s2}) . Then, three admittances (instead of two) are tuned simultaneously. The first two full-wave simulations, involving (L'_{s1}, L'_{s2}) and (L''_{s1}, L'_{s2}) are the same as in section 3.2. As already

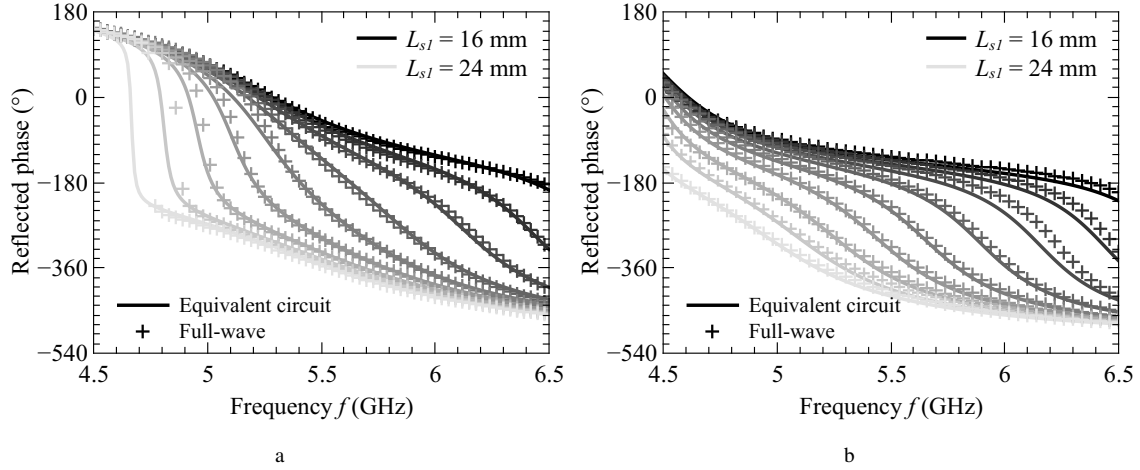


Figure 5. Reflected phase simulated with HFSS (+) and predicted with the equivalent circuit (—) for variable L_{s1} with a step of 1 mm.

a $L_{s2} = 25$ mm

b $L_{s2} = 31$ mm

Table 1. Extracted coefficients for passive and active cases.

	$\alpha_1(\text{Hz}^{-1} \text{m}^{-1})$	$\beta_1(\text{Hz}^{-1})$	$Z_1(\Omega)$	$\alpha_2(\text{Hz}^{-1} \text{m}^{-1})$	$\beta_2(\text{Hz}^{-1})$	$Z_2(\Omega)$	$M_c(\text{nH})$	$C_c(\text{fF})$	$L_p(\text{nH})$	$C_p(\text{fF})$
Passive	7.59×10^{-9}	3.09×10^{-11}	99.7	7.74×10^{-9}	1.79×10^{-11}	243	0.680	44.8	—	—
Active	1.27×10^{-8}	-8.38×10^{-11}	188	7.33×10^{-9}	2.79×10^{-11}	232	0.343	19.8	4.19	73.8

indicated, the associated admittances only differ in C_1 and L_1 . We note C'_2 and L'_2 the values of C_2 and L_2 for these configurations. The third full-wave simulation (L'_{s1} , L''_{s2}) leads to a different value of C_2 and L_2 , referred to as C''_2 and L''_2 . Finally, the whole tuning process allows determining α_2 and β_2 using (4) and (5). Of course, it also provides all the other parameters (as in section 3.2). Note that M_c and C_c are kept identical for all three admittances since we assume that mutual coupling does not change significantly when the slots length are varied. This assumption is reasonable as the required variation for L_{si} (in order to achieve a full 360° range) is small. Also, since we use multiple slots, only smooth resonances (and subsequently smooth variations in coupling) are encountered. In this extraction process, the used values of L'_{s1} and L''_{s1} are the same as previously and those for L'_{s2} and L''_{s2} are 27 and 29 mm respectively.

Two examples, comparing the results from full-wave and equivalent circuit simulations, are shown in Fig. 5. Both length L_{s1} and L_{s2} are modified simultaneously. As can be seen from the figure, the prediction of there is a quite good agreement. To better evaluate the validity of the model, the average phase difference between the full-wave and the circuit simulations is reported in Fig. 6 as a function of the slot length L_{s2} . This difference, which is the average difference

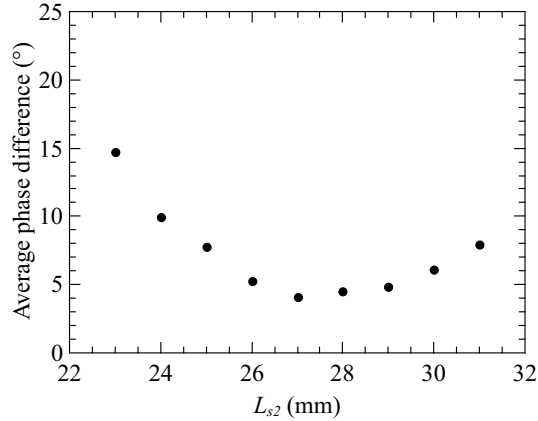


Figure 6. Average phase difference between equivalent circuit and full-wave simulations as a function of the length of the external slot L_{s2} .

for all lengths L_{s1} over the total frequency band, is below 10° for a variation of the external slot of ± 3.5 mm. This difference is attributed to two main causes. Firstly, error logically gets larger when the considered L_{si} is outside the $[L'_{si}, L''_{si}]$ extraction range, because extrapolation is required. Secondly, it is also partly due to the fact we assume that coupling is independent from L_{si} .

4. Extension to the active case

The circuit presented in the first part of this communication is now upgraded for the study of a reconfigurable cell. In the considered example, reconfiguration is achieved by loading the internal slot with a controllable capacitance C (as in [11]). A typical implementation is shown in Fig. 7a. Note that two narrow metallic strips are used for the connection of the lumped element (variable capacitance) in the slot center.

The equivalent admittance is modified as shown in Fig. 7b: a capacitance C_p and an inductance L_p have been added to represent the capacitive effect of the gap supporting the lumped element and the inductive effect of the metallic strips respectively.

The extraction of the circuit elements using full-wave simulations is very similar to these described in the previous sections. In the full-wave simulation, a lumped port (Fig. 7a), corresponding to the third port in the model (Fig. 7b), is added for the extraction of the equivalent circuit. This third port is similar to those used in the compression approach [4] and will provide the place to connect the variable capacitor during the post-processing, after the equivalent circuit extraction. Before that, as in 3.3, three full-wave simulations, involving three different combinations of L_{s1}

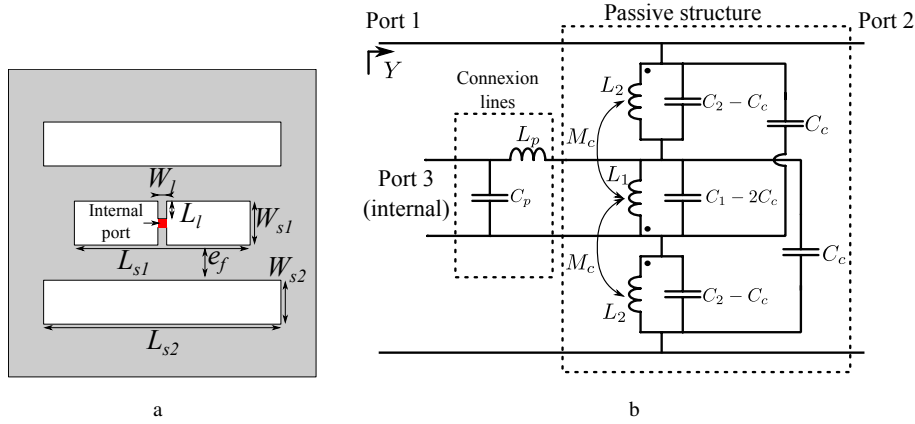


Figure 7. Schematic view of the studied cell with an internal port (a) and the proposed equivalent circuit (b).

and L_{s2} , are necessary to anticipate any future variation of slots length. More precisely and as previously, the circuit elements shown in Fig. 7b are adjusted so that the resulting S parameters best match those from the full-wave simulations. Note that there are now 3 ports in the equivalent circuit and thus 9 scattering parameters (instead of 4) have to be matched during the extraction process. The values of L_p and C_p are determined during the tuning process, together with all other circuit elements, and they are supposed to be identical for the three equivalent admittances.

Once the equivalent circuit is derived, it can be loaded with any lumped element simply by connecting it to port 3 as a post-processing step. As previously, this can be combined with any modification of the slots length. The reflected phase for both full-wave simulations and circuit simulations for different slot configurations and various values of the loading element (here a simple capacitance) are compared in Fig. 8. The capacitance range has been adjusted for each couple of lengths in order to keep the resonances in the [4.5, 6.5] GHz frequency band. The three simulations used for the extraction the different parameters are: ($L'_{s1} = 12$ mm, $L'_{s2} = 27$ mm), ($L''_{s1} = 16$ mm, $L'_{s2} = 27$ mm) and ($L'_{s1} = 12$ mm, $L''_{s2} = 29$ mm). The average phase difference over the three cases is 8.6° and is respectively indicated in the figure caption. The equivalent circuit permits to predict the reflected phase with a reasonably good precision when one or both slots length are modified. The extracted values are given in Tab. 1.

Fig. 9 shows that the proposed equivalent circuit still provides satisfactory results when the air gap between the substrate and the short circuit is modified. The accuracy is better than 7° in all cases.

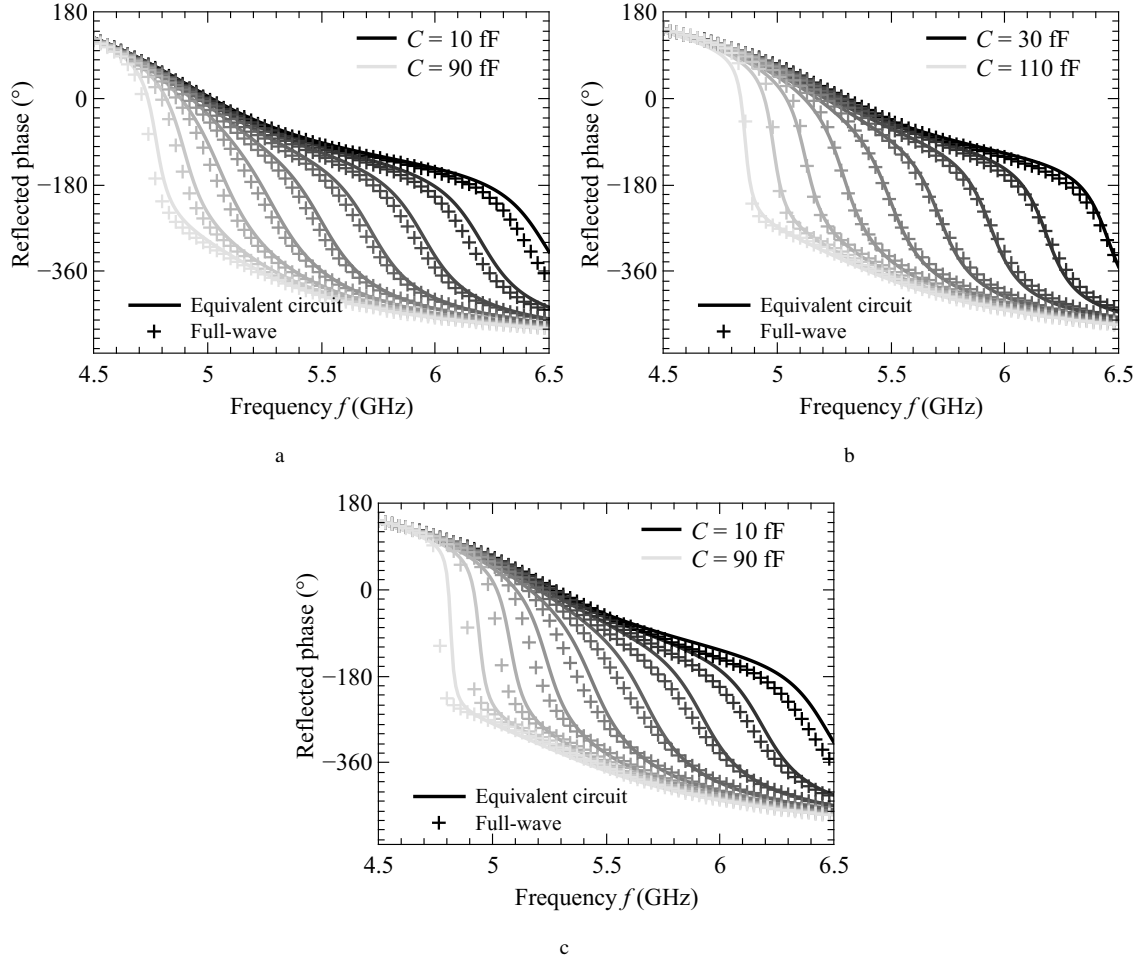


Figure 8. Simulated reflected phase with HFSS (+) and predicted with the proposed equivalent circuit (—) for different values of the capacitance C in steps of 10 fF and different couples (L_{s1} , L_{s2}).

a (L_{s1} , L_{s2}) = (14 mm, 27 mm), average phase difference: 7.6°

b (L_{s1} , L_{s2}) = (12 mm, 25 mm), average phase difference: 6.8°

c (L_{s1} , L_{s2}) = (14 mm, 25 mm), average phase difference: 11.4°

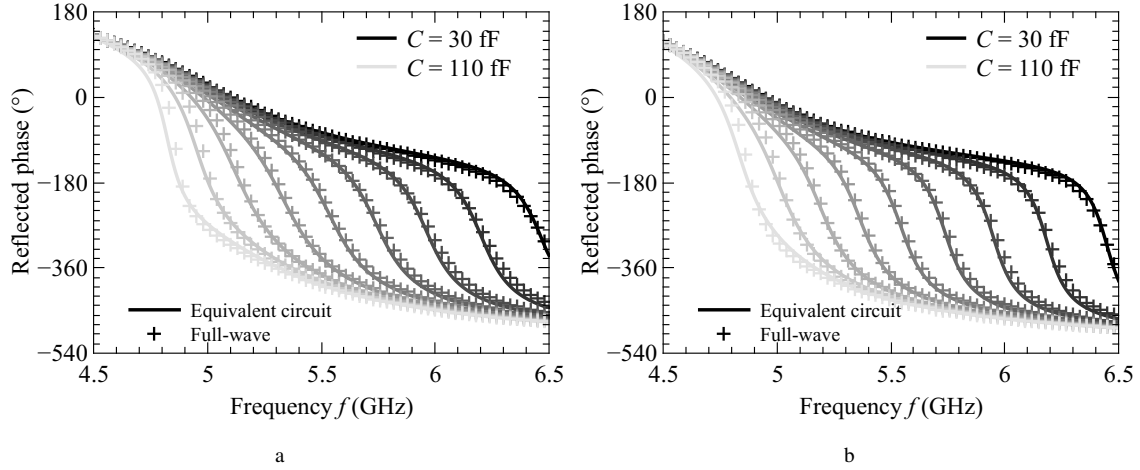


Figure 9. Reflected phase simulated with HFSS (+) and predicted with the equivalent circuit (—) for different values of the capacitance C in steps of 10 fF and for two different air gaps between the cell and the end of the waveguide with $L_{s1} = 12$ mm and $L_{s2} = 27$ mm.

a $h_{air} = 13.7$ mm

b $h_{air} = 17.7$ mm

5. Application of the equivalent circuit

To demonstrate the capabilities of the proposed equivalent circuit, it has been used to synthesize a canonical reflectarray with a steered beam. In order to make a comparison with full-wave simulation feasible, it consists of an 8×6 array with $\lambda_0/1.56$ inter-element spacing (35 mm at 5.5 GHz) as shown in Fig. 10. For the sake of numerical validation, it is illuminated by a plane wave under normal incidence. The length of the central slot varies with the y coordinate so that the beam is steered at $\theta = 10^\circ$ in the (yOz) plane. The necessary phase difference between adjacent cells is 40° and the equivalent circuit is used for determining the corresponding length of the central slots. For the presented example, the length of the external slot L_{s2} has been fixed to 29 mm and is kept constant for all the cells.

Using the equivalent circuit, the total time to synthesize the array (including the construction of the equivalent circuit itself) is less than 5 minutes on a standard PC workstation (16 GB RAM, Intel® Core™ i7-4790 @ 3.6 GHz). Using full-wave simulations instead would dramatically increase the computation burden (especially in the case of an even larger array). The values of the elements in the equivalent circuit are those given in Table 1. The needed lengths to satisfy the phase-law are given in Table 2. To verify the synthesis approach using the equivalent circuit, a full-wave simulation of the complete array has been done using HFSS (which takes 2 hours).

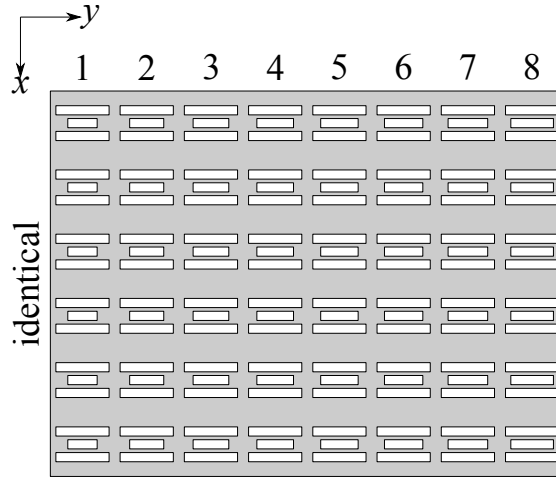


Figure 10. Schematic view of the proposed reflectarray. The central slot lengths vary from column 1 to 8 but are identical into each column.

Table 2 Length of the central slot for each column and reflected phase difference with the first column.

Column	Length of the central slot	Relative phase
1	16 mm	0°
2	18.57 mm	40°
3	19.44 mm	80°
4	19.97 mm	120°
5	20.41 mm	160°
6	20.89 mm	200°
7	21.58 mm	240°
8	23.22 mm	280°

Fig. 11 presents the directivity of the reference array (with all central slots measuring 20 mm long) and the array with the lengths obtained previously. This clearly demonstrates that the beam has been steered properly.

6. Conclusion

In this paper, an equivalent circuit is proposed for a triple-slot phase-shifting cell. This model describes precisely the behavior of the cell and allows predicting the reflected phase while needing only a limited number of full-wave simulations. Both the lengths of the slots and the distance between the cell and the end of the waveguide can be modified. An upgraded version of the equivalent circuit has also been proposed which enables the integration of lumped elements for an active control of the cell. Finally, the equivalent model permits to optimize the slots length of

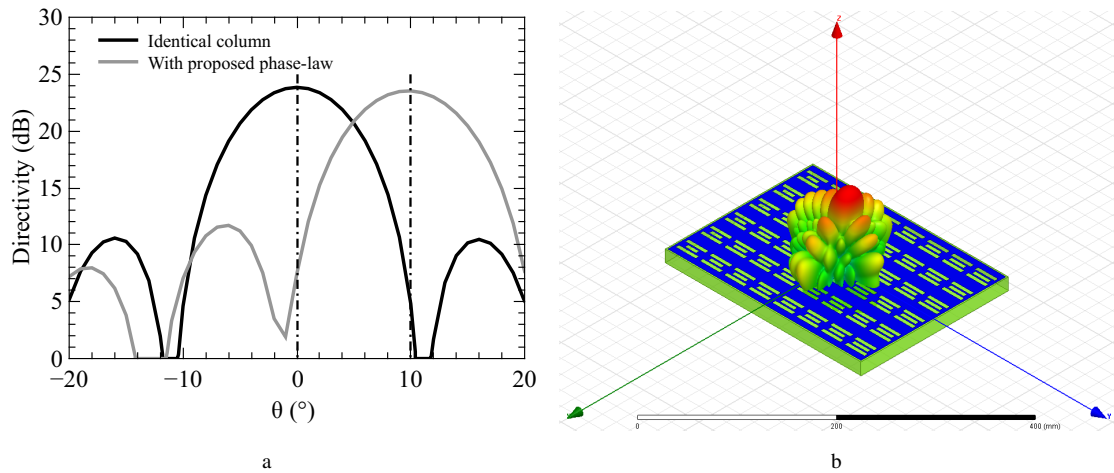


Figure 11. Directivity and 3D radiation pattern of the reflectarray with identical column and with the calculated phase-law.

a Directivity in the (yOz) plane (H-plane).
b 3D radiation pattern.

the distributed passive structure with a limited number of full-wave simulation. The comparison with full-wave simulations clearly demonstrates the capability of the equivalent circuit approach to synthesize a reflectarray with a steered beam.

Acknowledgements

The authors would like to acknowledge the CNRS (Centre National de la Recherche Scientifique) and the French Region “Pays de la Loire” for the financial support.

7. References

- [1] Encinar, J., Arrebola, M., Dejus, M., *et al.*: ‘Design of a 1-metre reflectarray for dbfs application with 15 % bandwidth,’ ‘6th European Conf. Antennas Propag. (EUCAP),’ 2006 pp. 1–5
- [2] Perez-Palomino, G., Baine, P., Dickie, R., *et al.*: ‘Design and experimental validation of liquid crystal-based reconfigurable reflectarray elements with improved bandwidth in F-band,’ *IEEE Trans. Antennas Propag.*, 2013, **61** (4), pp. 1704–1713
- [3] Makdissy, T., Gillard, R., Fourn, E., *et al.*: ‘Triple-slot phase-shifting cell loaded with capacitances for reflectarray applications,’ ‘6th European Conf. Antennas Propag. (EUCAP),’ 2012

pp. 3703–3706

- [4] Kunisch, J., Rittweger, M., Heinen, S., *et al.*: ‘The compression approach: A new technique for the analysis of distributed circuits containing nonlinear elements,’ ‘21st European Microwave Conference,’ volume 2, 1991 pp. 1296–1301
- [5] Al-Joumayly, M., Behdad, N.: ‘A new technique for design of low-profile, second-order, bandpass frequency selective surfaces,’ *IEEE Trans. Antennas Propag.*, 2009, **57** (2), pp. 452–459
- [6] Behdad, N., Al-Joumayly, M. a.: ‘A generalized synthesis procedure for low-profile, frequency selective surfaces with odd-order bandpass responses,’ *IEEE Trans. Antennas Propag.*, 2010, **58** (7), pp. 2460–2464
- [7] Tahir, F., Aubert, H., Girard, E.: ‘Optimisation of mems-controlled reflectarray phase shifter cell,’ *Microwaves, Antennas Propagation, IET*, Feb 2011, **5** (3), pp. 271–276
- [8] Tahir, F. A., Aubert, H., Girard, E.: ‘Equivalent electrical circuit for designing mems-controlled reflectarray phase shifters,’ *Progress In Electromagnetics Research*, 2010, **100**, pp. 1–12
- [9] Hum, S., Okoniewski, M., Davies, R.: ‘Modeling and design of electronically tunable reflectarrays,’ *IEEE Trans. Antennas Propag.*, 2007, **55** (8), pp. 2200–2210
- [10] Nadaud, K., Gillard, R., Fourn, E., *et al.*: ‘A simple Phase-Shifting cell for reflectarray using a slot loaded with a ferroelectric capacitor,’ ‘Loughborough Antennas Propag. Conf.’, 2014 pp. 214–217
- [11] Nadaud, K., Gillard, R., Fourn, E., *et al.*: ‘A triple-slot active reflectarray cell using a ferroelectric capacitor,’ ‘9th European Conf. Antennas Propag. (EuCAP),’ 2015
- [12] Eshrah, I. A., Kishk, A. A., Yakovlev, A. B., *et al.*: ‘Analysis of waveguide slot-based structures using wide-band equivalent-circuit model,’ *IEEE Trans. Microw. Theory Tech.*, 2004, **52** (12), pp. 2691–2696
- [13] Eshrah, I. A., Kishk, A. A., Yakovlev, A. B., *et al.*: ‘Load-independent equivalent circuit model for transverse waveguide slots,’ *Progress In Electromagnetics Research*, 2007, **69**, pp. 1–20

- [14] Cheymol, C., Dousset, T., Dumon, P., *et al.*: ‘A X-band electronically scanned reflectarray antenna for space telemetry,’ ‘3th European Conf. Antennas Propag. (EUCAP),’ March 2009 pp. 2766–2768
- [15] Moustafa, L., Gillard, R., Peris, F., *et al.*: ‘The phoenix cell: A new reflectarray cell with large bandwidth and rebirth capabilities,’ *IEEE Antennas Wireless Propag. Lett.*, 2011, **10**, pp. 71–74
- [16] Hong, J.-S.: *Microstrip Filters for RF/Microwave Applications* (John Wiley & Sons, Inc.), chapter Coupled-Resonator Circuits, pp. 193–231, 2011
- [17] Pozar, D. M.: *Microwave Engineering*, 4th edition (John Wiler & Sons, Inc.), 2012